



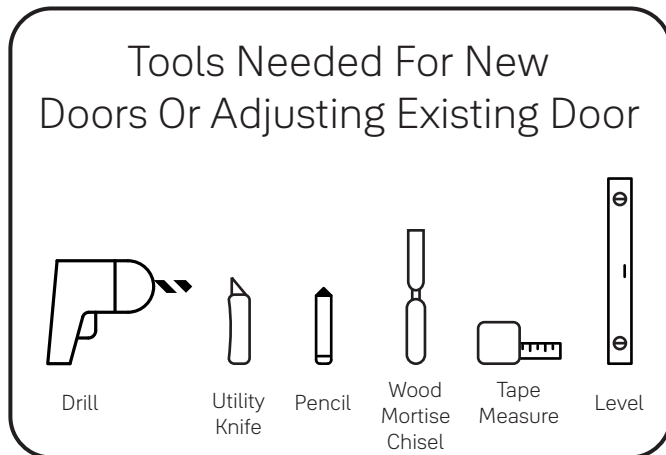
Yale Assure Lever®

Keypad (YRL216) and Key-Free Keypad (YRL236)

Installation and Programming Instructions

This manual will walk you through all the required steps to add your new Yale Assure Lever to your door.

- Remove existing door knob or lever
- Double check door measurements
- Install your Assure Lever
- Program your Assure Lever
- Add your Assure Lever to your smart home system or Yale Access app if purchased with Yale Smart Module or Yale Access Upgrade kit



Before you begin

DOWNLOAD
THE BILT APP

BILT.

Download on the
App Store

GET IT ON
Google Play

Using the app on your smart phone, scan this QR for step-by-step installation instructions & to register your lock

WARNING

This product can expose you to lead which is known to the state of California to cause cancer and birth defects or other reproductive harm.
For more information go to www.P65warnings.ca.gov.

Failure to follow these instructions could result in damage to the product, voiding the factory warranty and could lead to failure of the product to provide access.



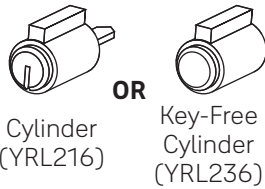
What's In The Box



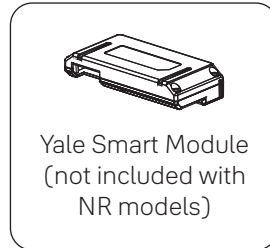
Keypad



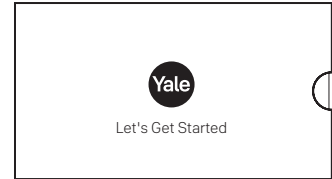
Keys (YRL216)



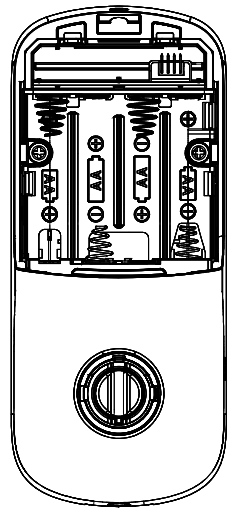
Cylinder (YRL216) OR Key-Free Cylinder (YRL236)



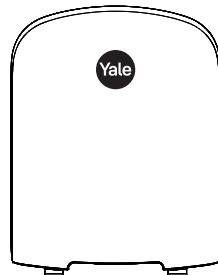
Yale Smart Module (not included with NR models)



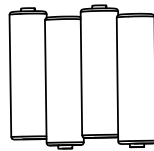
Installation Guide and Door Template



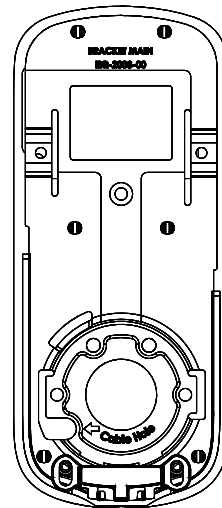
Inside Lock



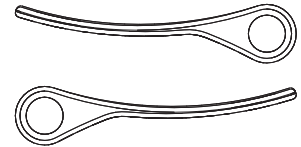
Battery Cover



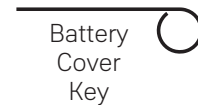
AA Alkaline Batteries



Mounting Plate

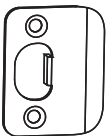


Levers

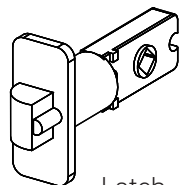


Battery Cover Key

Mounting Hardware



Strike Plate



Latch (AYRL-DRIVE Adjustable Drive-In Latch available for purchase)



x4
#7 wood & #8-32 Machine x 20mm Combination Screws



x2
#8-32 x 5/16" Machine Screws



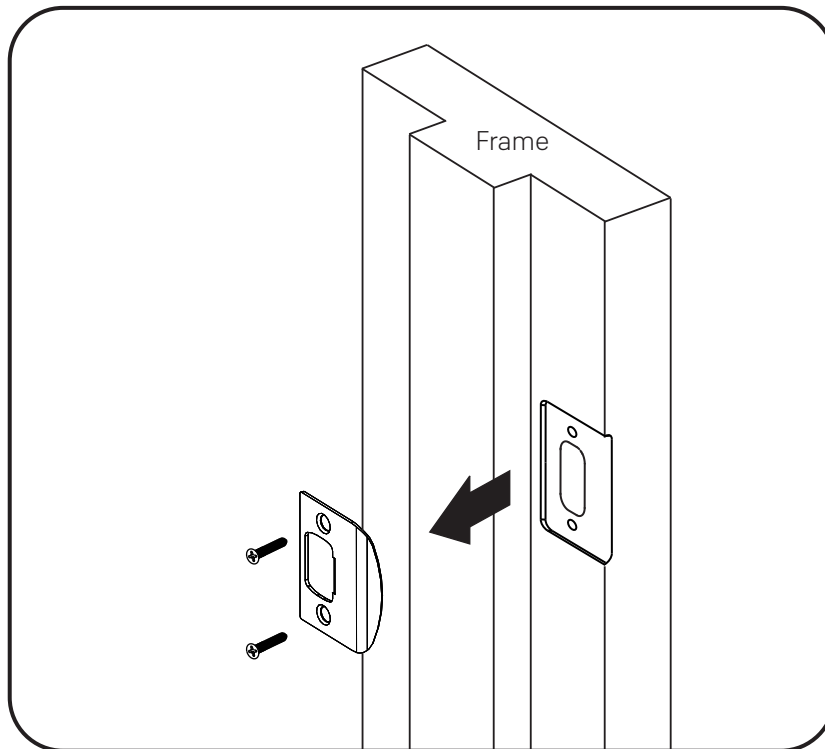
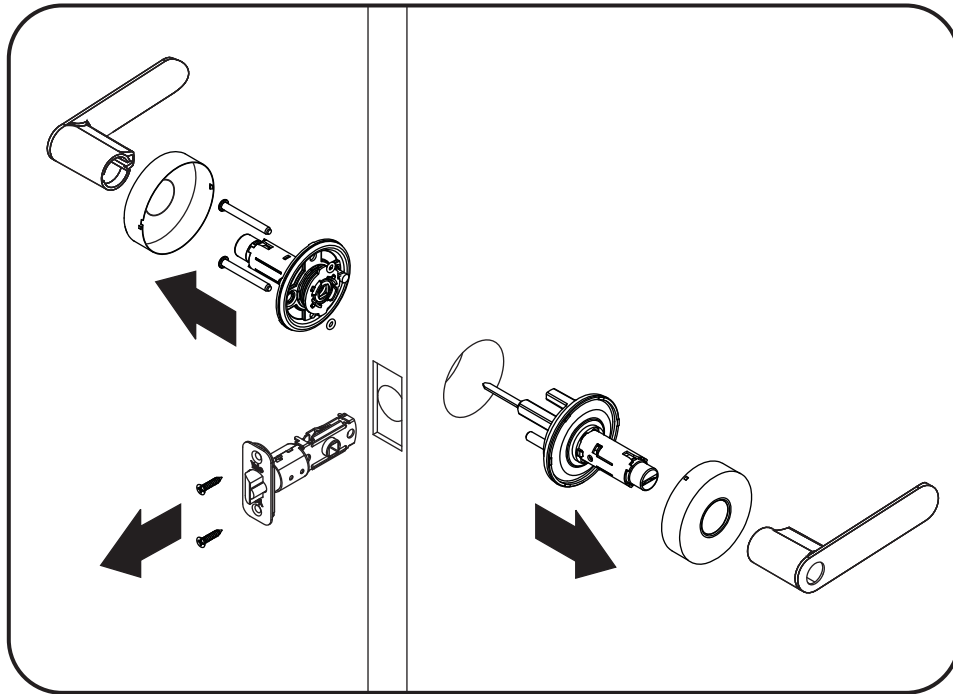
x2
M4 x 22mm Pan Head Machine Screws

1

Remove Existing Door Knob or Lever



Do not discard old lock hardware until Assure Lever has been successfully installed.

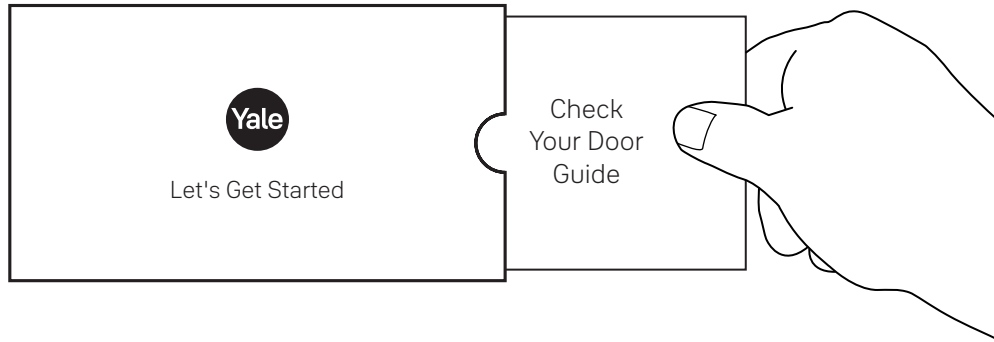


2

Check Door Measurements And Make Adjustments If Needed

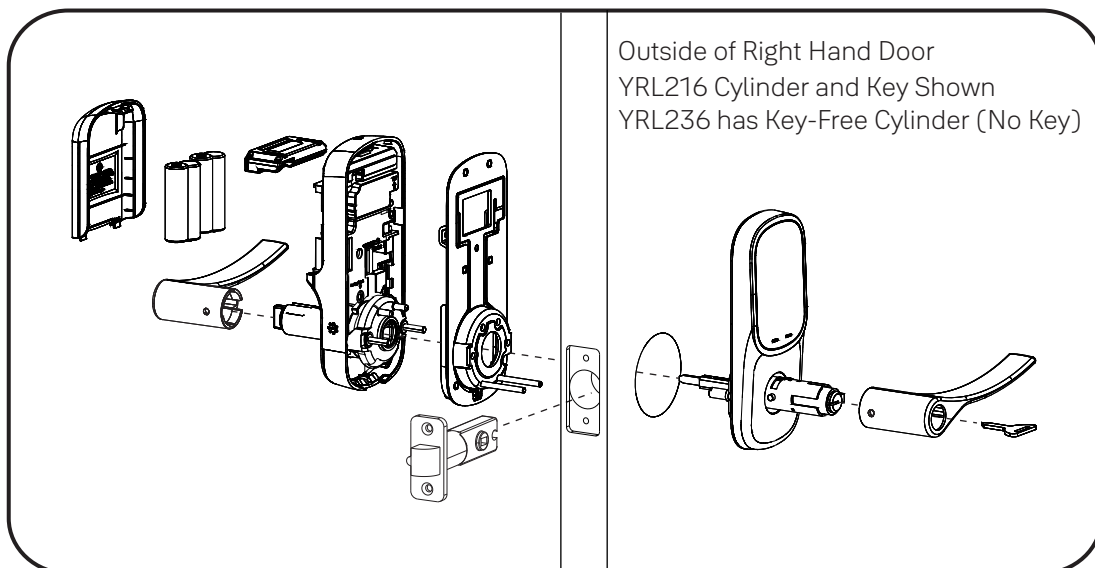
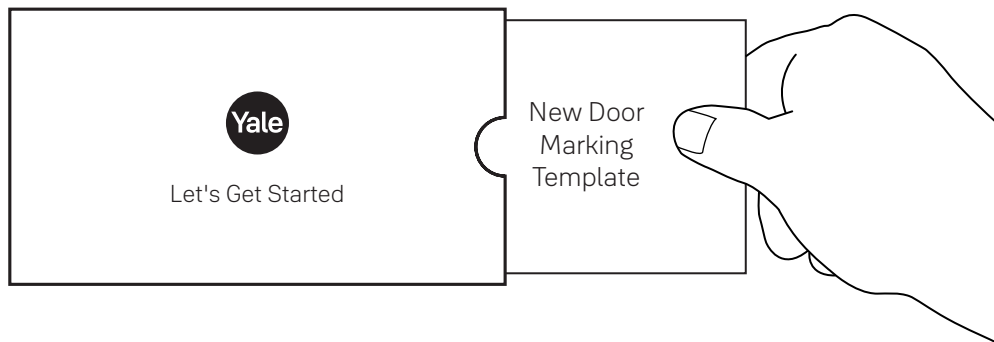
Door Checker

Use door checker from installation guide envelope to verify your door measurements and make any needed adjustments.

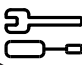


New Door Marking Template

With the door checker, use the template from installation guide envelope to prep a new door that has not been predrilled for hardware.



3

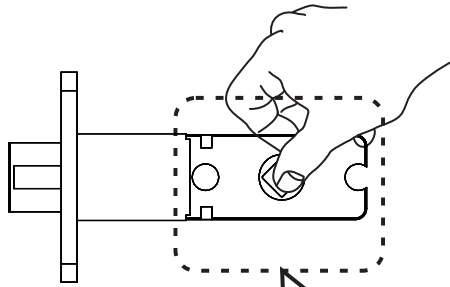


Install Latch and Strike Plate Right Hand Installation Shown

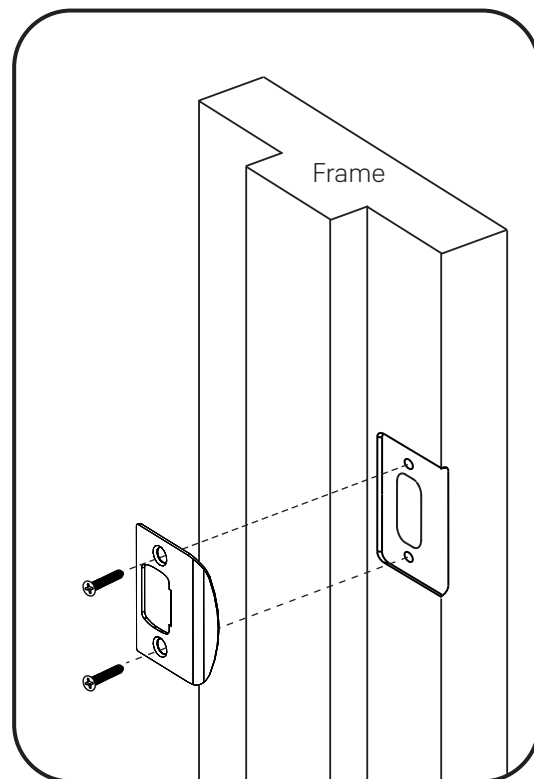
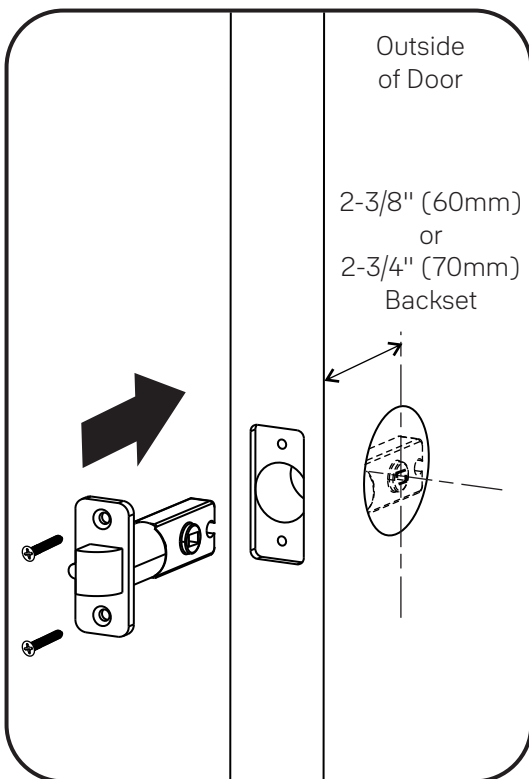
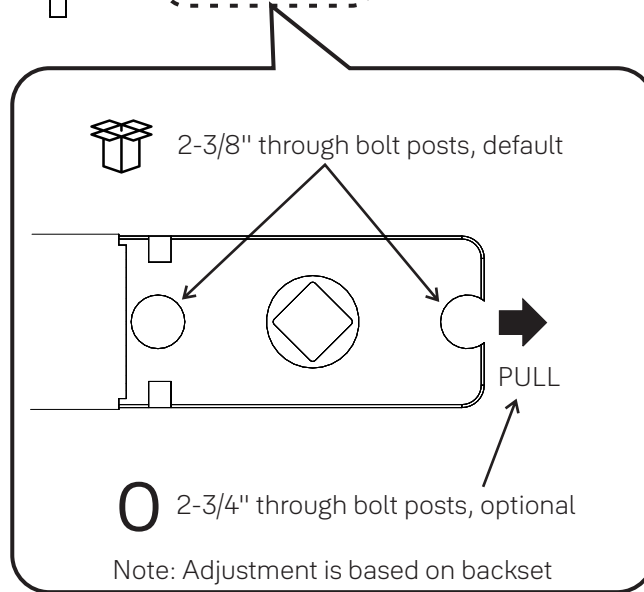


x4

Actual Size

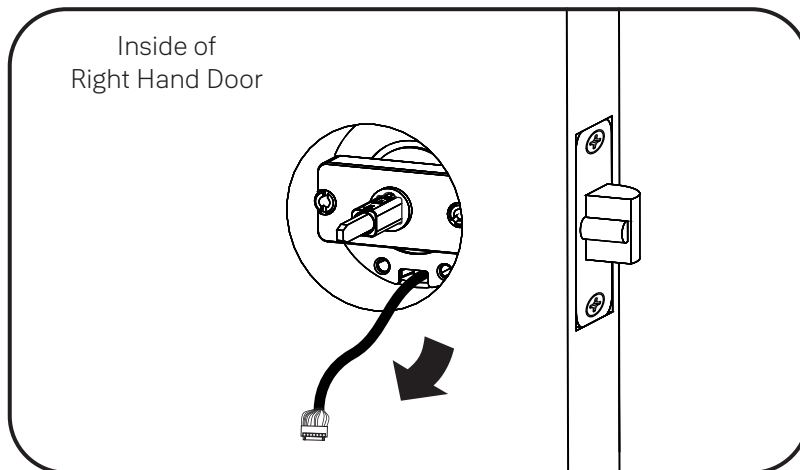
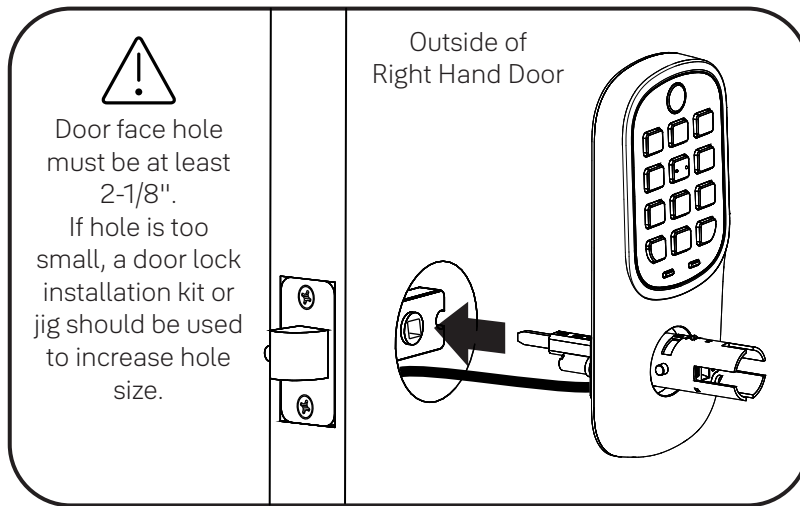
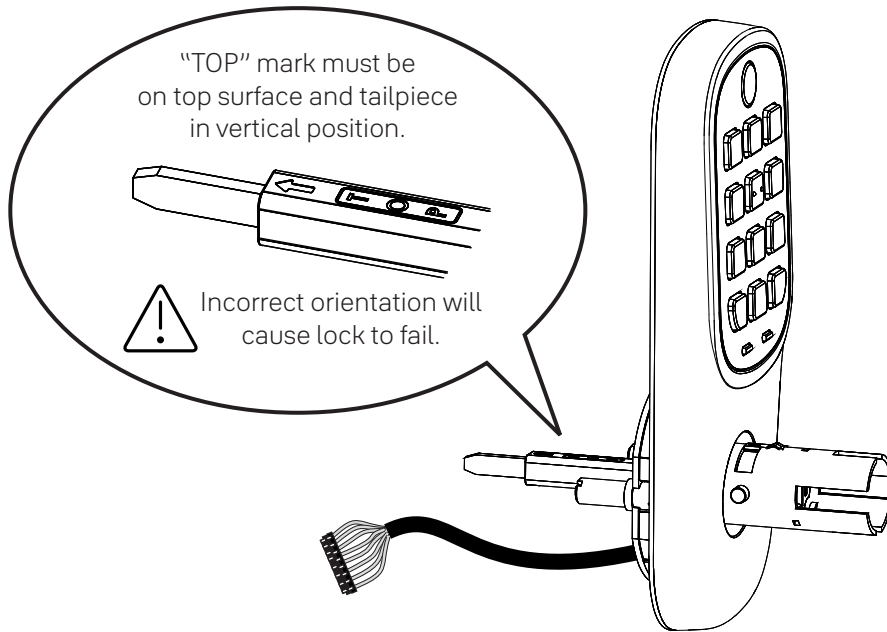


AYRL-DRIVE
Adjustable Drive-In Latch
available for purchase



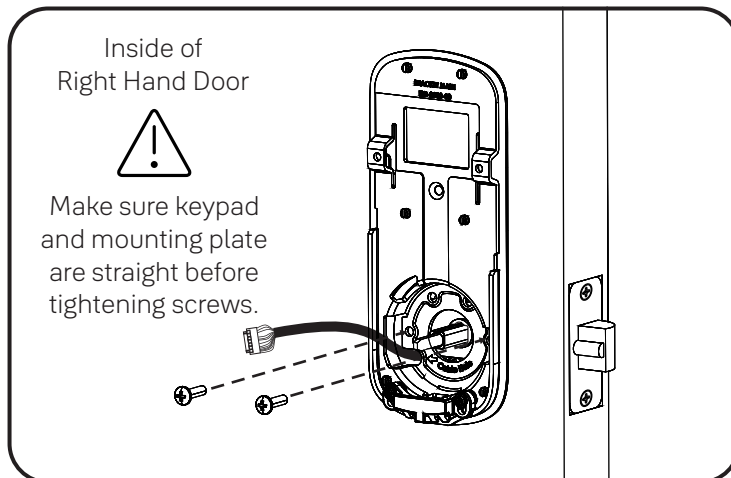
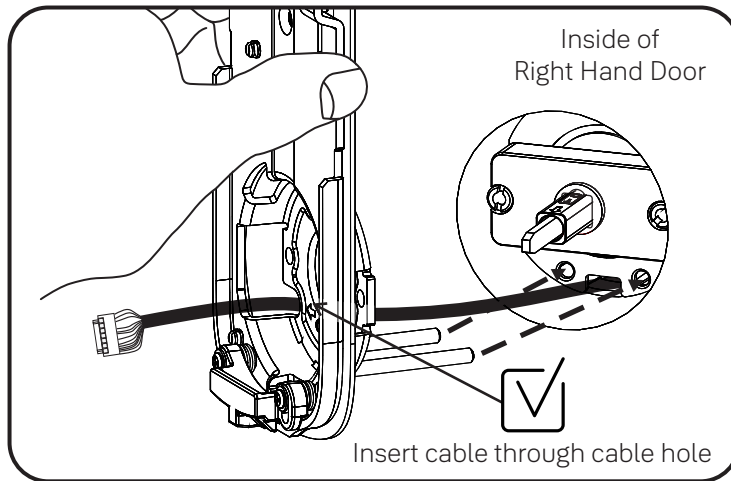
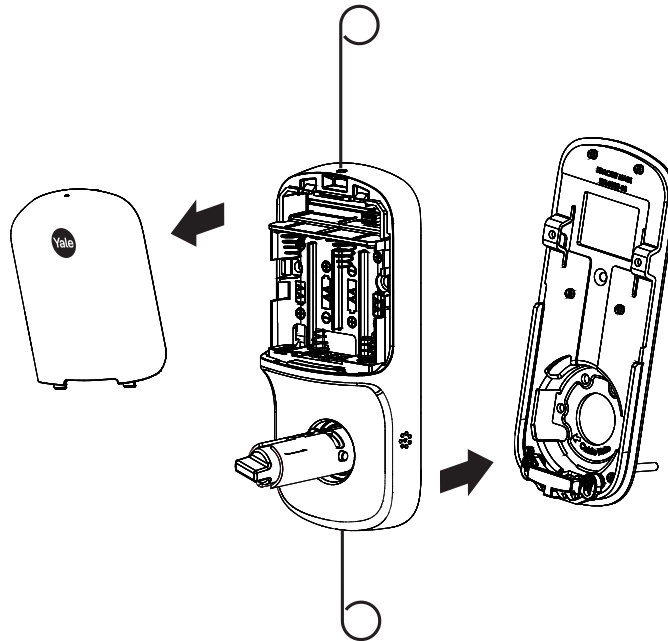
4

Install Keypad Right Hand Installation Shown



5
🔧

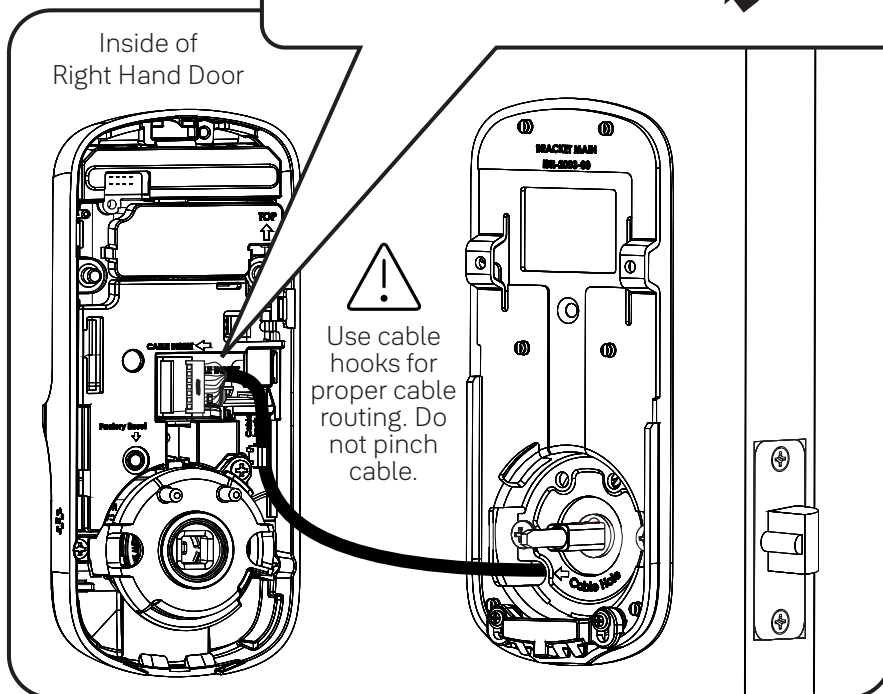
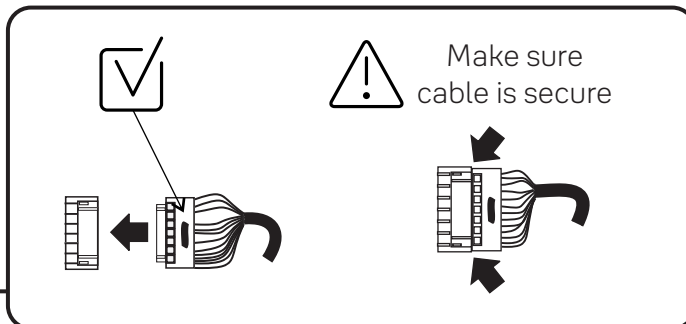
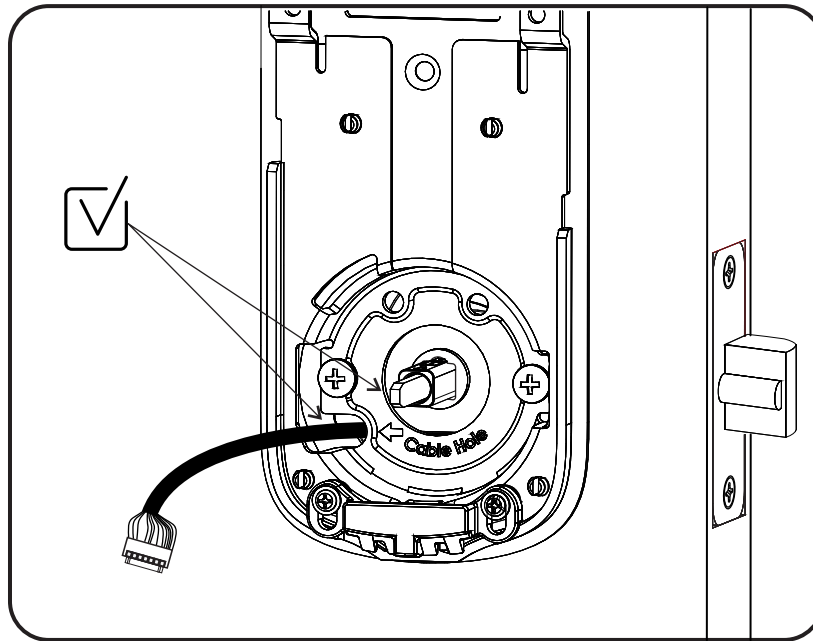
Install Inside Mounting Plate Right Hand Installation Shown



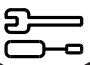
6

Attach Cable

Right Hand Installation Shown



7

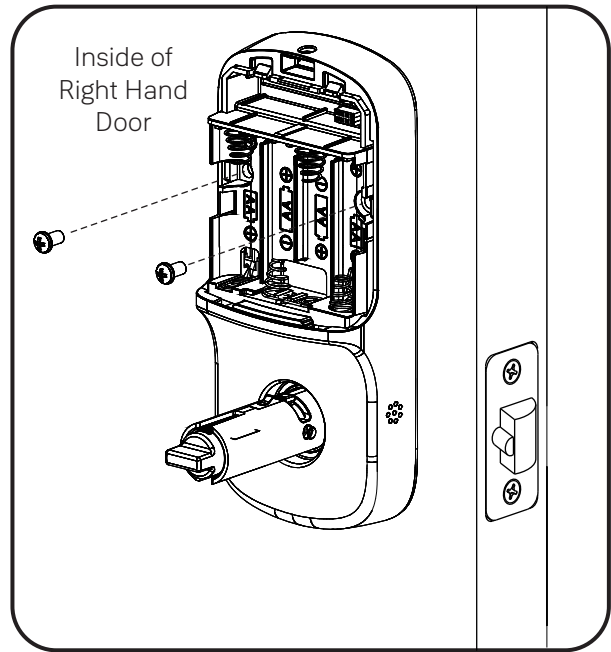
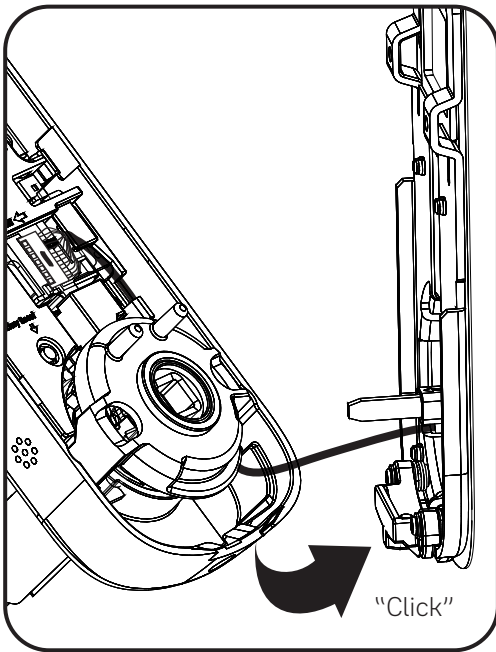
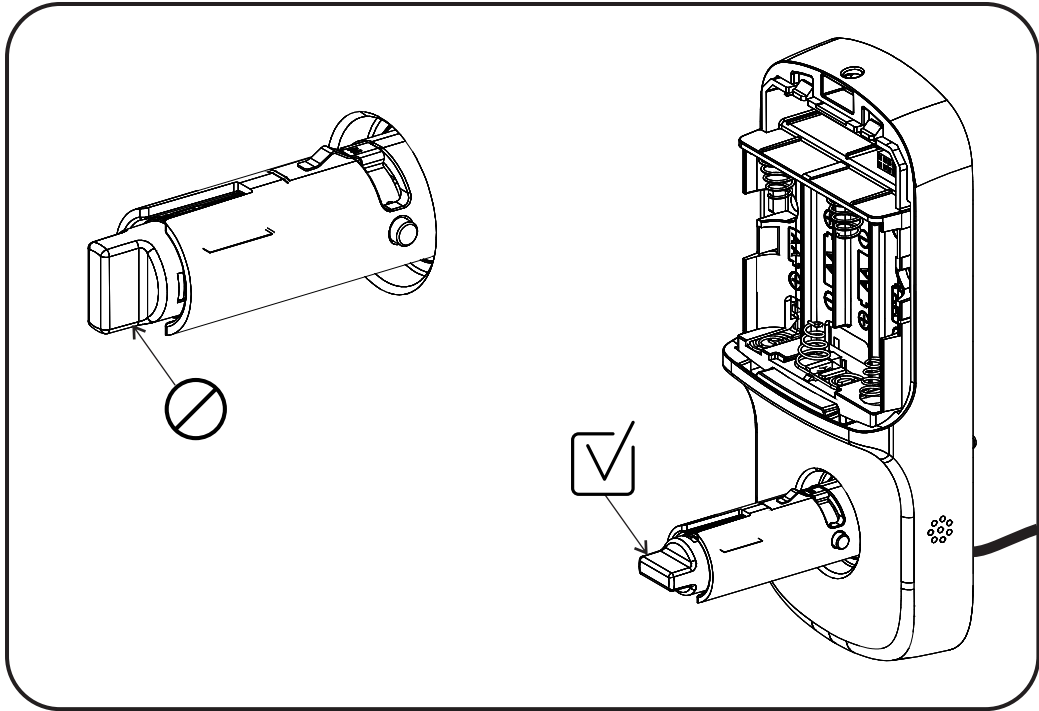



Install Inside Lock Right Hand Installation Shown



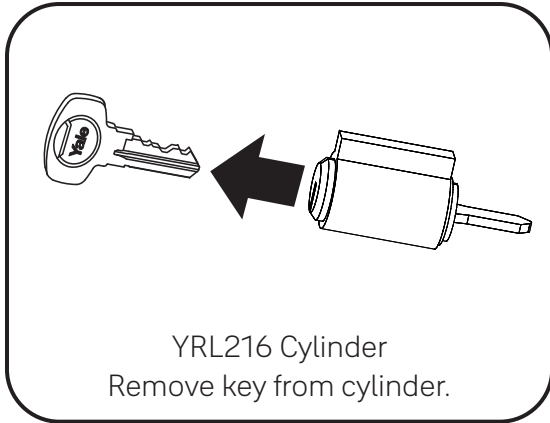
x2

Actual Size

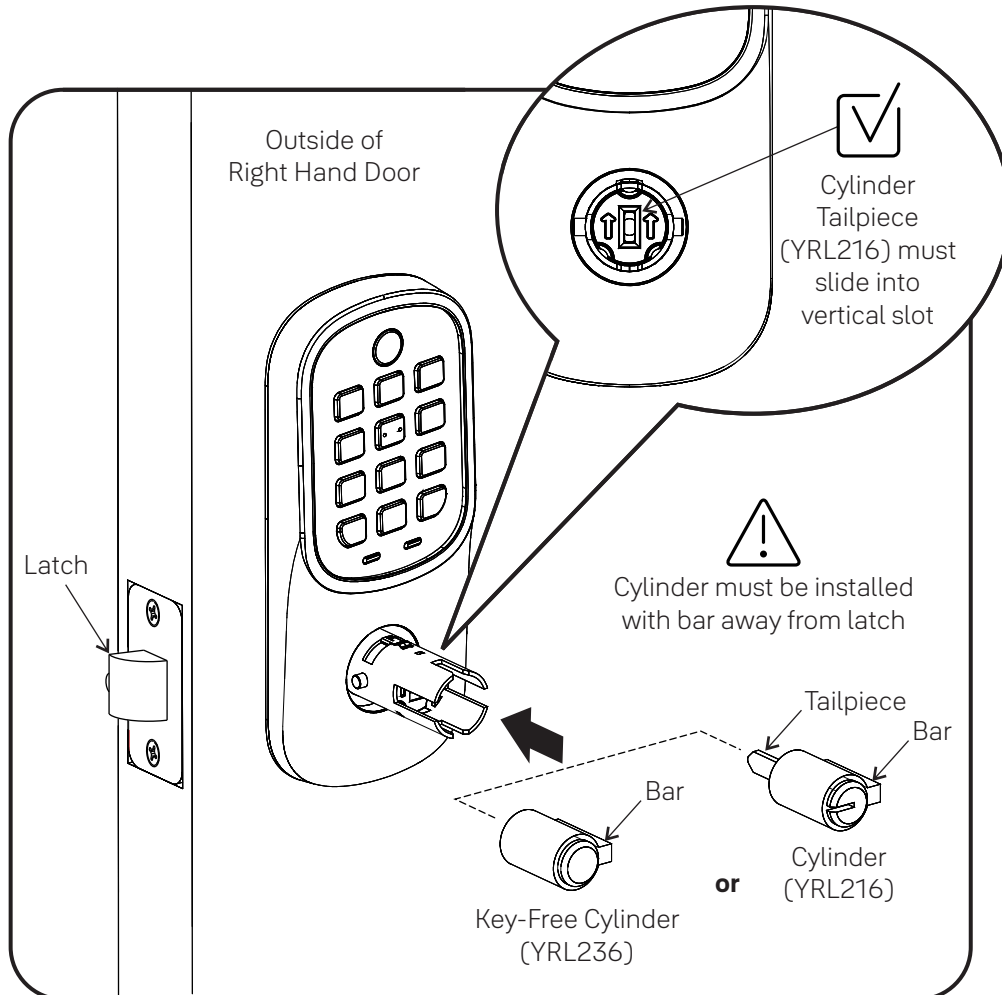


8


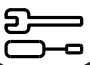
Install Cylinder (YRL216) or Key-Free Cylinder (YRL236)



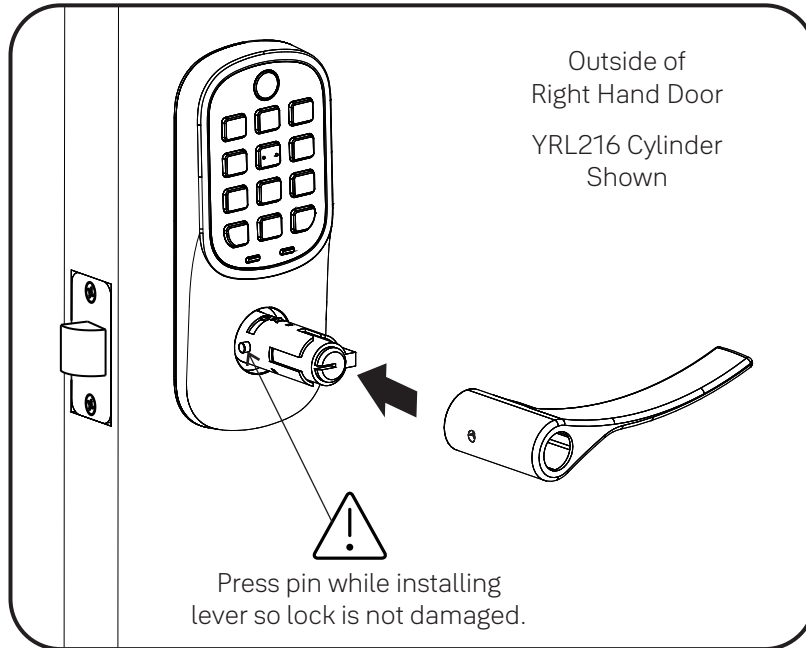
OR



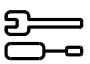
9



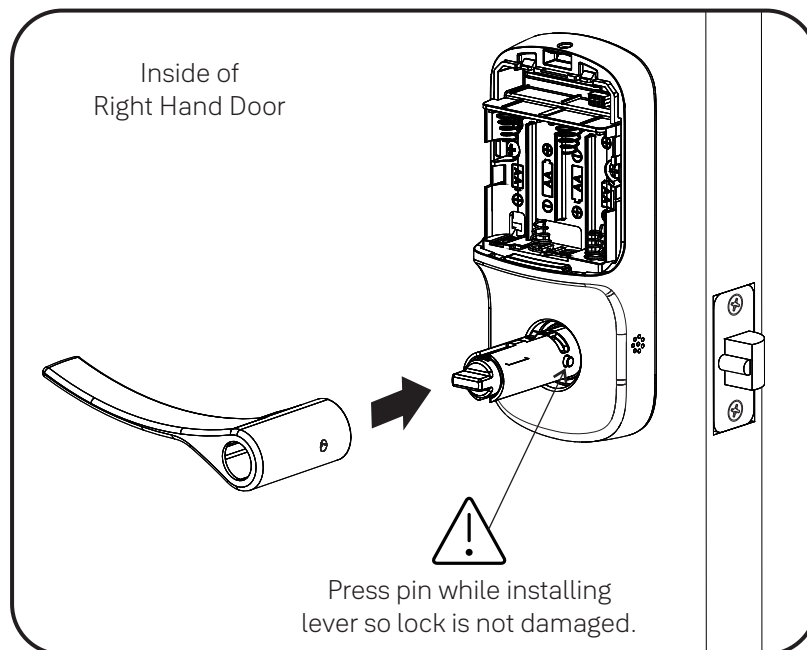
Install Outside Lever

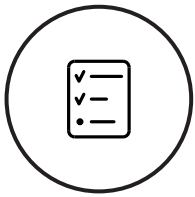


10

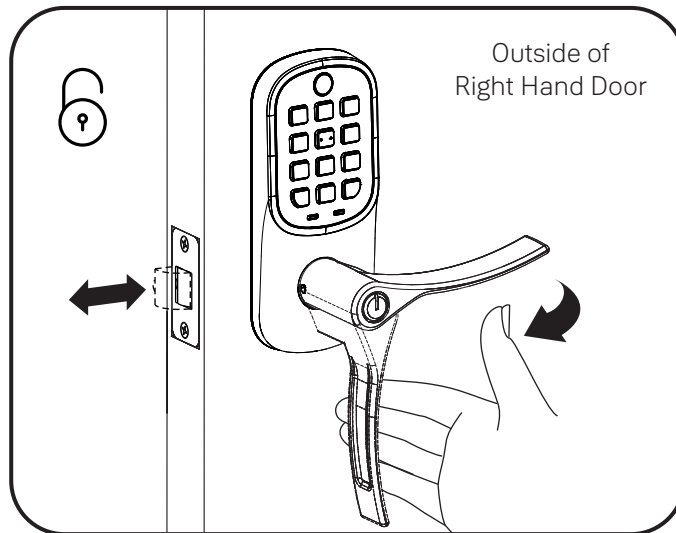
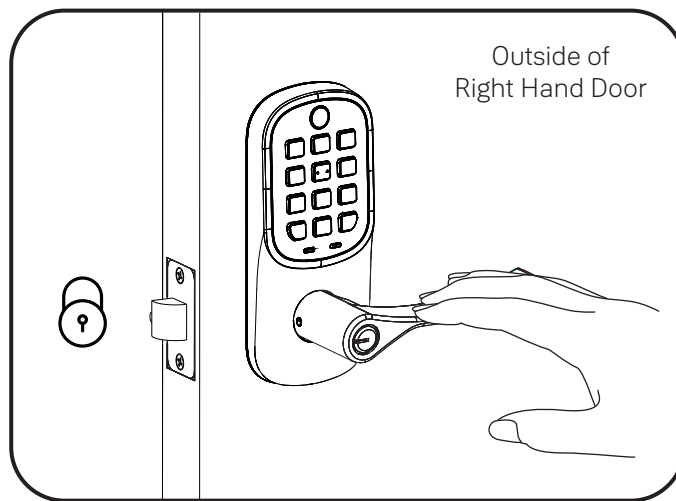
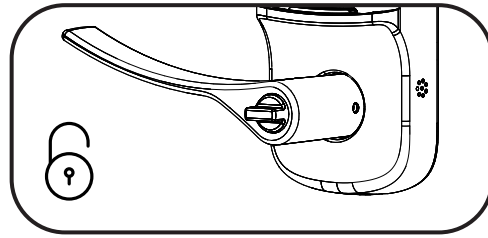
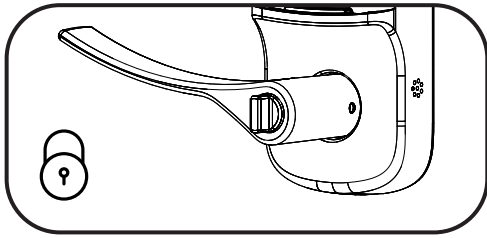


Install Inside Lever





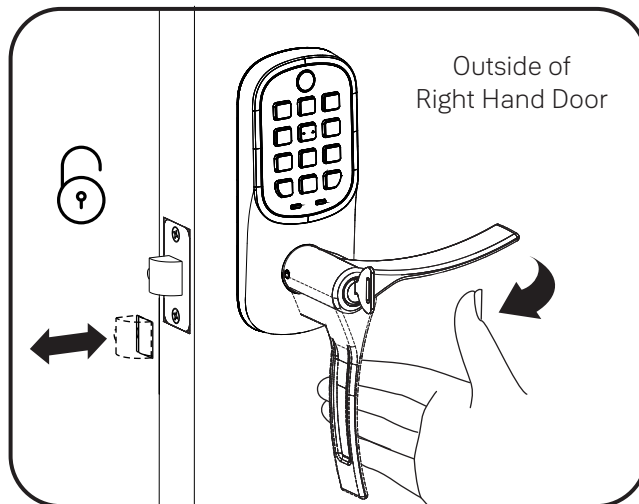
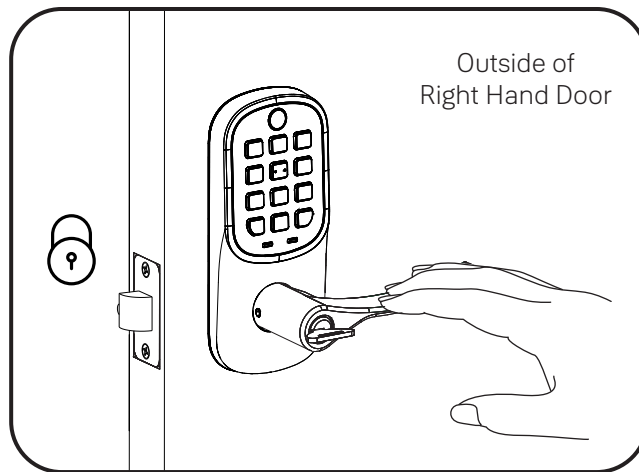
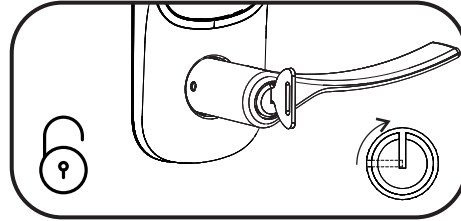
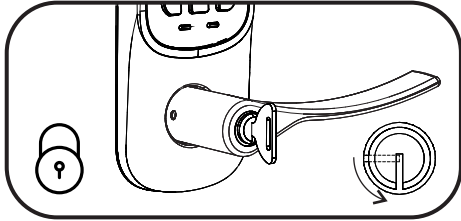
Test Thumbturn Operation with Door Open



Test thumbturn and both levers in locked and unlocked positions. If operation fails, check installation beginning with Step 4 and refer to Hardware Troubleshooting.



Test Key Operation with Door Open (YRL216)

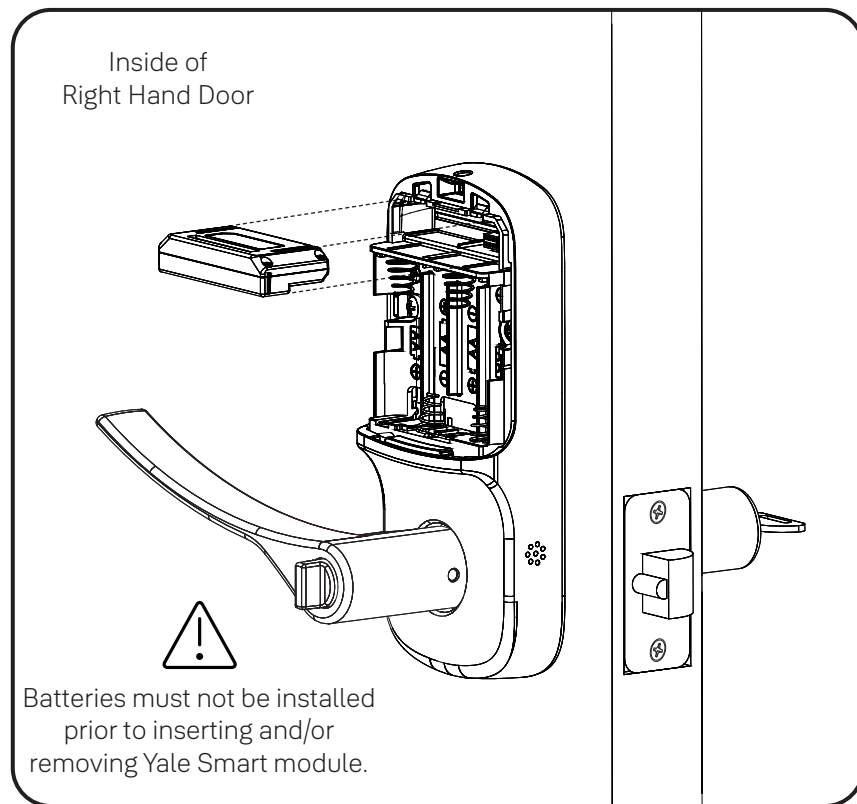


If key operation test fails, check installation beginning with Step 8.


11



Install Yale Smart Module Not included with NR models



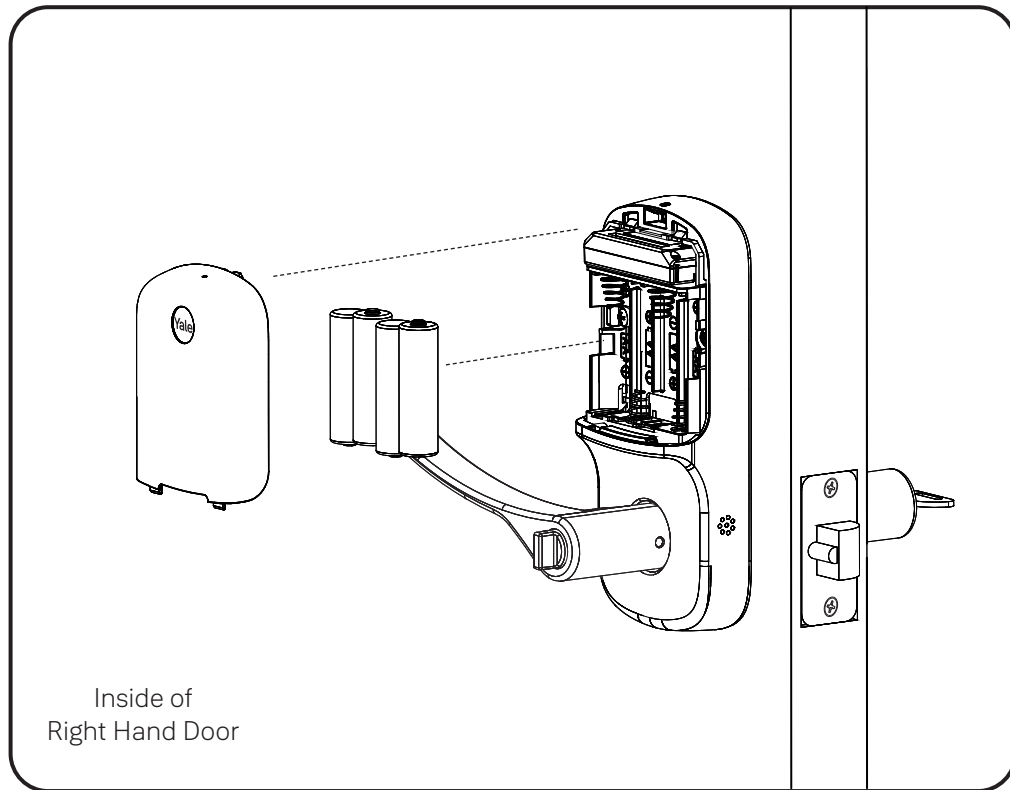
NOTE: If a Smart module was included with your lock, it is in a separate box with additional module installation instructions.

 For more information about Yale Smart modules and smart home features visit: US.YaleHome.com/Smart

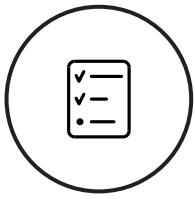
12



Install Batteries and Cover

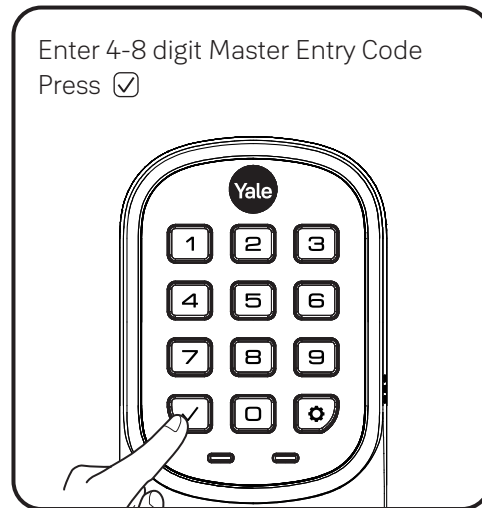


Congratulations, you've installed the Yale Assure Lever®
Keypad (YRL216) or Key-Free Keypad (YRL236)!
Using Your Lock instructions will help
you customize your lock.



Test Keypad Operation with Door Open

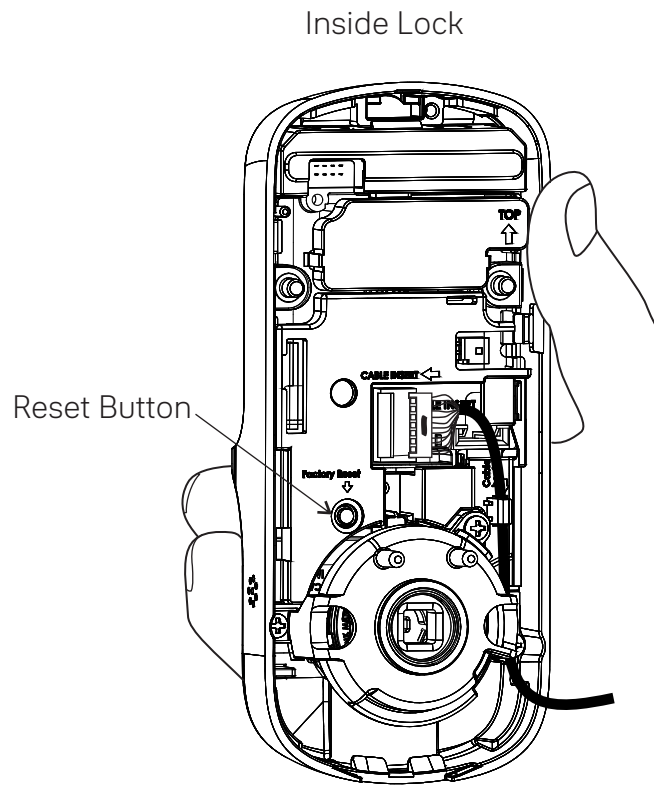
A Master Entry Code must be created upon installation or after resetting the lock to factory default. Programming and use of lock is not possible until this step has been successfully completed. See Using Your Lock instructions.



If keypad operation test fails, check installation beginning with Step 3



Resetting Lock to Factory Defaults



When resetting the lock, all Entry Codes, including the Master Entry Code*, are deleted. All programming features are reset to original default settings. See "Setting Definitions".

1. Remove the battery cover and batteries.
2. Remove the inside lock to access the reset button.
3. The reset button (see image above) is marked.
4. Re-insert 3 batteries and hold the reset button for 3 seconds.
5. While still holding the reset button, insert the 4th battery, and hold the reset button for an additional 3 seconds.
6. Release the reset button.
7. Re-install the inside lock onto the door.

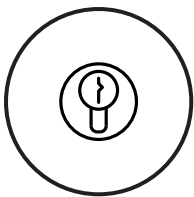
*Upon reset, Master Entry Code creation is the only option available and must be performed prior to any other programming of the lock.



Hardware Troubleshooting

Cycle lock in both the locked and unlocked positions. If problems are found:

Tailpiece and spindle will not mate and fit into the inside lock
a. Make sure that your door is between 1-3/8" and 1-3/4" thick b. Make sure that the square shaped spindle has "Top" writing and arrow facing upwards c. Place the tailpiece in the vertical position d. Verify that the thumbturn is in the horizontal (unlocked) position
Thumbturn does not rotate electronically or physically
a. Verify that inside of the lock is properly seated on the mounting bracket b. Make sure that the square shaped spindle has "Top" writing and arrow facing upwards c. Place the tailpiece in the vertical position d. Verify that the thumbturn is in the horizontal (unlocked) position
I'm getting an alert when I try to lock or unlock the door electronically
a. Do not turn or depress the lever during operation, this could cause a jam alarm b. Check that thumbturn does not have anything preventing it from physically rotating c. Verify that you can rotate thumbturn freely
My lock is not making any sound when I push buttons
a. Use the programming tree in this manual to verify that Audio is enabled b. If Audio is enabled, make sure that the white cable that connects the keypad to the inside lock is not pinched or broken
When rotating the thumbturn I hear noise
a. A little bit of noise is normal when operating the thumbturn b. If cranking, grinding or clicking occurs please verify your installation
The locking pins will not retract when I try to install the levers
a. If the thumbturn is in vertical (locked) position, rotate the thumbturn to the horizontal (unlocked) position and it will retract



Replacing Cylinder (YRL216)

1. To Remove Cylinder:
See installation Steps 7 and 8. Reverse appropriate actions to remove the outside lever handle and cylinder.
2. To Install New Cylinder:
 - A. Follow appropriate actions of installation Steps 7 and 8 to replace the cylinder and outside lever handle.
 - B. Test operation of new cylinder and key by following "Testing Operation".



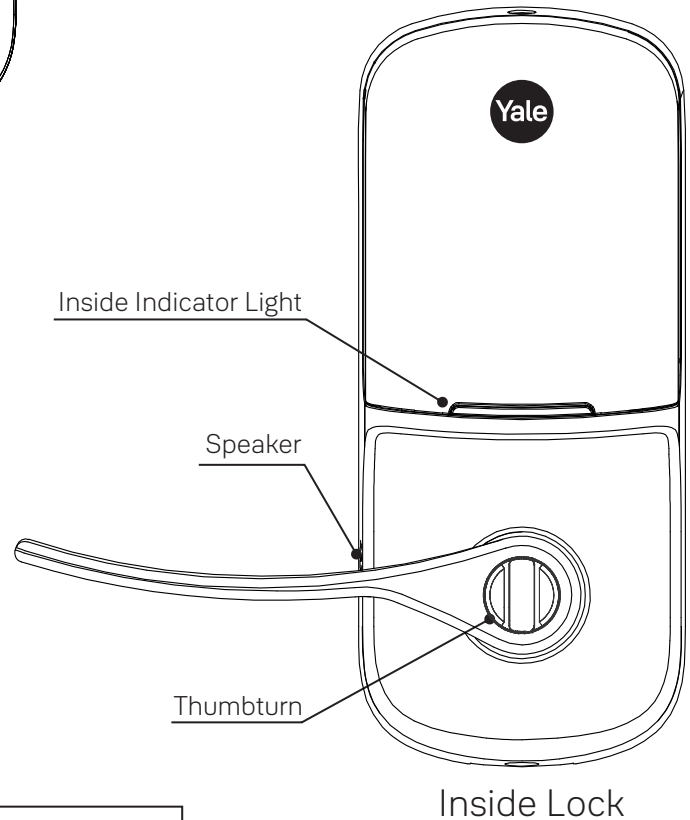
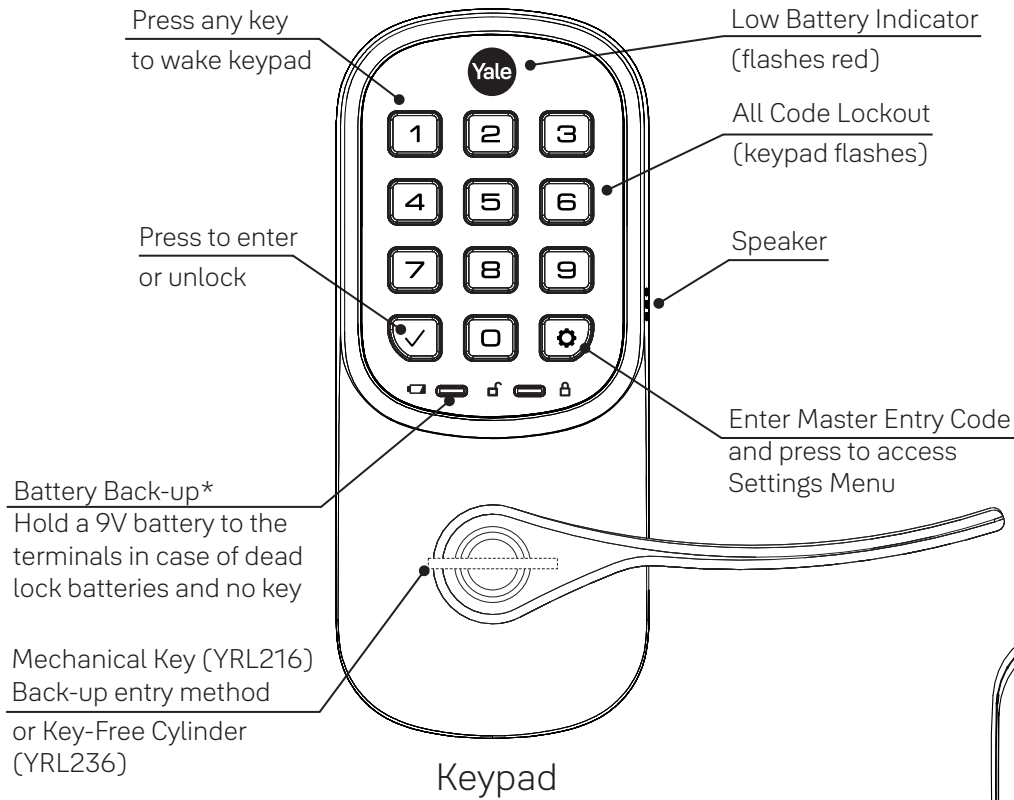
Setting Definitions

Settings	Default Setting	Definition
Master Entry Code	Creation required*	The Master Entry Code is used for programming and feature settings. It must be created prior to programming the lock. The Master Entry Code will also operate (unlock/lock) the lock.
All Code Lockout	Disabled	This feature is enabled by the Master Entry Code. When enabled, it restricts all Entry Code access (except Master). When attempting to enter a code while the lock is in All Code Lockout, the keypad flashes 8 times and the lock beeps 3 times as well.
Audio	Enabled	The audio setting for Entry Code verification is set to enabled (1) by default; otherwise it can be set to disabled (3) for quiet areas.
Auto Re-lock	Disabled	After a successful code entry or manual unlock with the key (YRL216), the lock will automatically re-lock after each unlock in an effort to keep your home secure. This feature is optional, and can be turned off. When enabled, the lock will automatically re-lock after thirty (30) seconds.
Inside Indicator Light	Disabled (Off)	Located on the inside lock. Shows active status (Locked) of lock and can be enabled or disabled in Advanced Lock Settings (Main Menu selection #3).
One Touch Locking	Enabled	When the latch is retracted, activating the keypad will extend the latch (during Auto Re-lock duration or when Auto Re-lock is disabled). When One-Touch Re-lock is not in use (disabled), any valid Entry Code will re-lock the lock.
Shutdown Time	60 Seconds	The lock will shutdown (flashing keypad) for sixty (60) seconds and not allow operation after the wrong code entry limit (5 attempts) has been met.
Wrong Code Entry Limit	5 Times	After five (5) unsuccessful attempts at entering a valid Entry Code, the lock will shut down and not allow operation for sixty (60) seconds.

*The Master Entry Code must be created prior to any other programming of the lock.

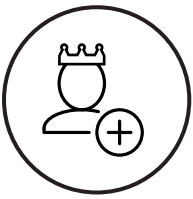


Using Your Lock



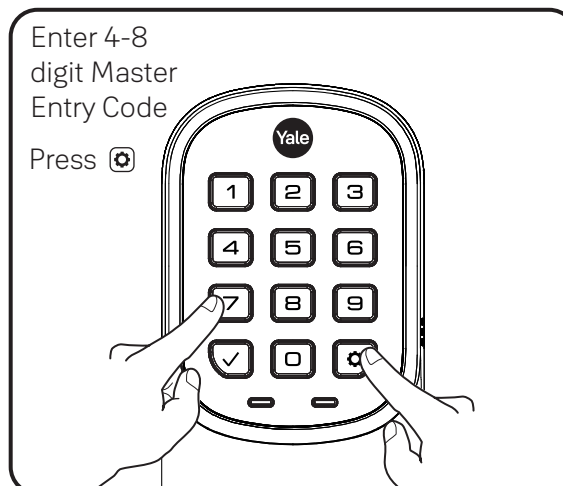
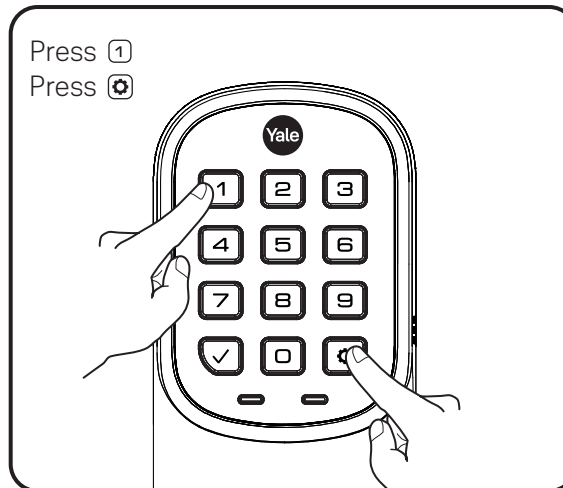
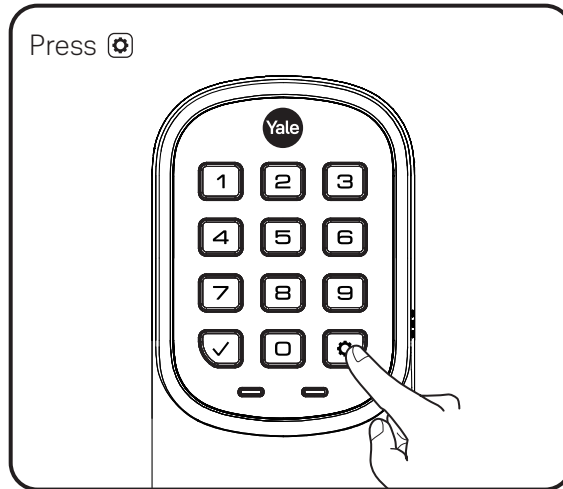
*NOTE TO INSTALLER AND CONSUMER

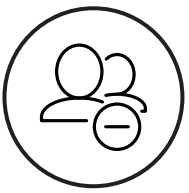
While Yale® has included several features to prevent lockout (9-Volt battery jumper, low battery warnings), it is still possible for a lockout situation to occur. Because the YRL236 does not have a key, Yale® recommends using YRL236 in an environment where there are additional entry points into dwelling.



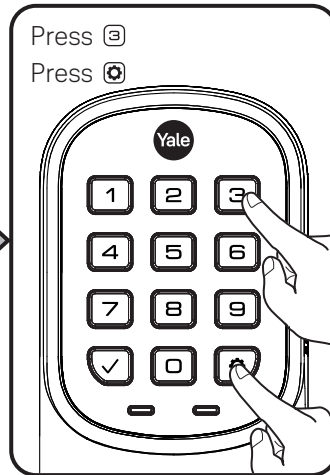
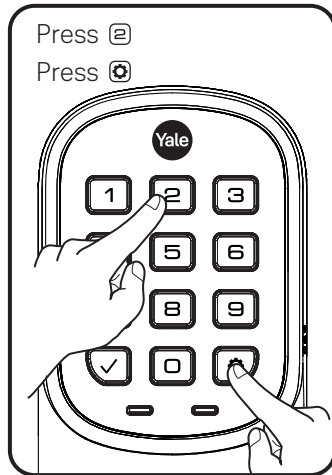
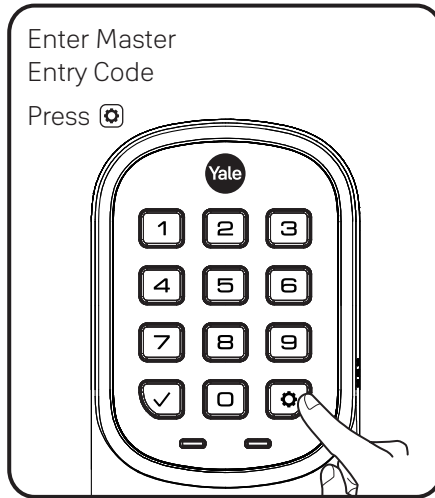
Creating Master Entry Code

The Master Entry Code is used to change lock settings.
A security best practice is to set your Master Entry Code with 6 or more digits
and create a separate code that is used daily to lock and unlock the door.





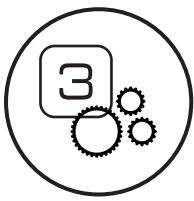
Deleting Entry Codes



Deleting one Entry Code:
To delete one Entry Code, you must enter the Entry Code you wish to delete.

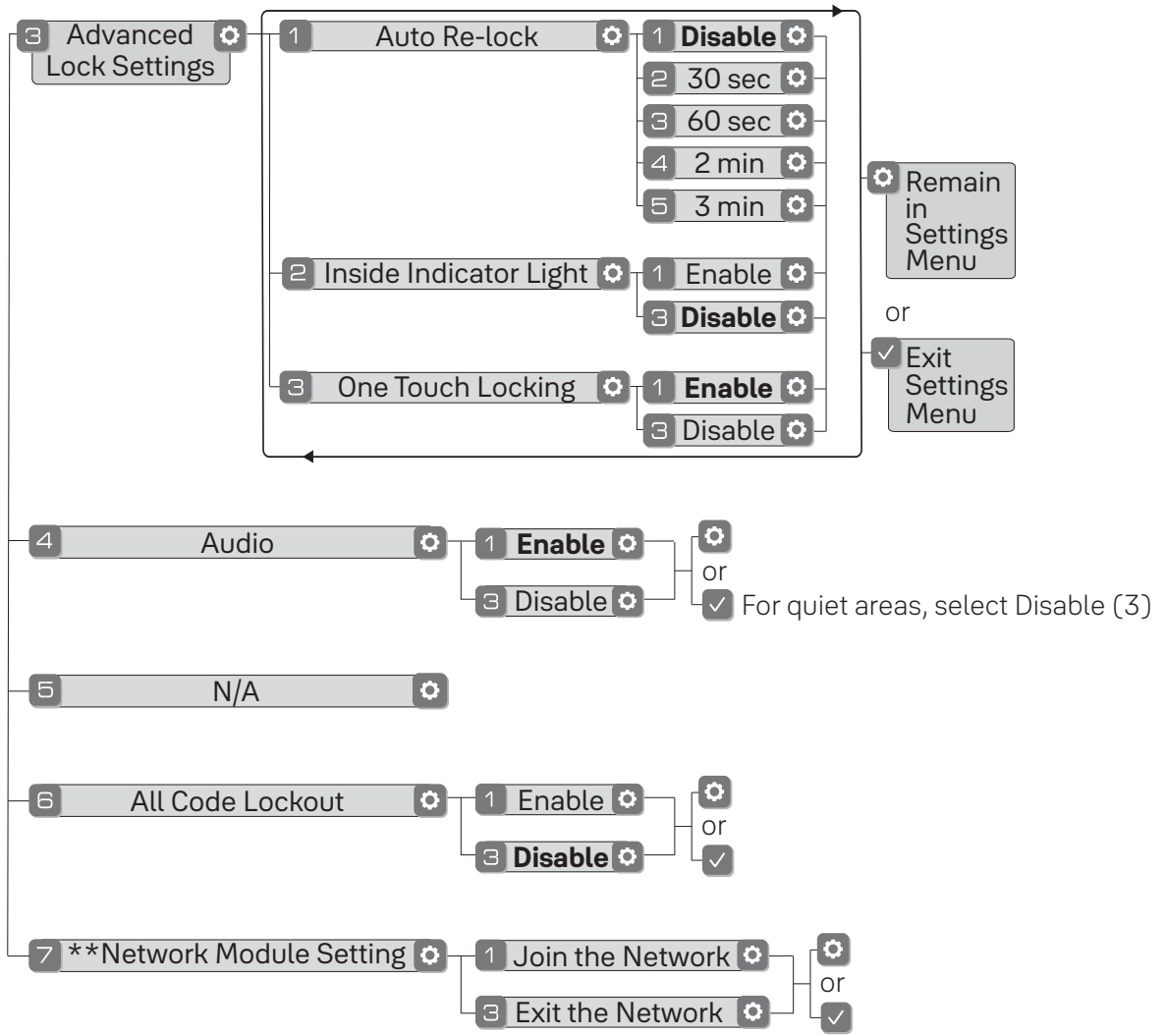
To delete all Entry Codes
(Does not delete Master Entry Code):





Customizing Lock Using Settings Menu

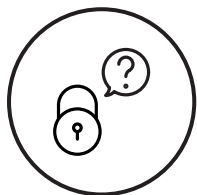
1. Press any key to wake lock.
2. Enter Master Entry Code* followed by icon.
3. Enter digit corresponding to the function to be performed followed by the icon.




Default settings in **bold**.

Here is an example of how to set Auto Lock to 30 seconds:
 Master Entry Code , **3** , **1** , **2** ,

*The Master Entry Code must be created prior to any other programming of the lock.
 **Network Module Setting function appears only with Yale Smart module installed.



Troubleshooting

Symptom	Suggested Action
Lock does not respond – door is open and accessible.	<ul style="list-style-type: none"> Keypad becomes active when the Yale logo is pressed. Verify contact with the logo. If keypad numbers are visible, check they respond when pressed. Check batteries are installed and oriented correctly (polarity) in battery case. Replace batteries* if batteries are dead. Check keypad cable is fully connected and not pinched.
Lock does not respond – door is locked and inaccessible.	<ul style="list-style-type: none"> Batteries may not have enough power. Replace batteries*. Apply a 9V battery to terminals below the keypad for backup power option.
Lock is on for a while then shows no reaction. Lights dim.	<ul style="list-style-type: none"> Batteries do not have enough power. Replace batteries*.
Lock chimes indicating code acceptance, but door will not open.	<ul style="list-style-type: none"> Check for any foreign objects between door and frame. Check that the cable is firmly connected to inside lock.
Lock operates to allow access, but will not automatically re-lock.	<ul style="list-style-type: none"> Check that Auto Re-lock is enabled. Disable Auto Re-lock to lock the door (manually).
Entry Codes cannot be added.	<ul style="list-style-type: none"> If low battery indicator is lit, change batteries*. Entry Codes must consist of 4 to 8 digits. The same Entry Code cannot be used for multiple users. Entry Codes are set by the Master Entry Code, which is set first. There is a max number of Entry Codes. Contact the Master user. Entry Codes must be entered within 5 seconds (while keypad is active) or process will have to be restarted. Check <input checked="" type="checkbox"/> or gear  cannot be part of the Entry Code.
Upon entering an Entry Code and pressing <input checked="" type="checkbox"/> key, the lock gives a series of beeps, flashes red 7 times and does not unlock.	<ul style="list-style-type: none"> Verify entered code is a valid, previously programmed, 4 to 8 digit code. All Code Lockout is enabled. Only the Master Entry Code can change All Code Lockout. Contact the Master user.
Upon entering an Entry Code and pressing the <input checked="" type="checkbox"/> key, lock gives a series of beeps.	<ul style="list-style-type: none"> Check that All Code Lockout is disabled (see Feature #6). Only the Master Entry Code can change All Code Lockout. Contact the Master user.
Lock operates, but makes no sound.	<ul style="list-style-type: none"> Check that Audio is enabled (see Feature #4). Only the Master Entry Code can change Audio. Contact the Master user.
Yale logo flashes RED	<ul style="list-style-type: none"> This is the alert to replace the batteries. Replace all four (4) batteries* with new AA Alkaline batteries.
Upon entering an Entry Code and pressing the <input checked="" type="checkbox"/> key, lock gives a series of beeps and flashes 3 times.	<ul style="list-style-type: none"> The digits entered were incorrect or incomplete. Re-enter the correct code followed by the <input checked="" type="checkbox"/> key.

* When batteries are replaced, Smart Module locks have a real time clock that will be set through the User Interface. It is recommended to verify correct date and time; particularly those locks operating under Daylight Savings Time.

FCC:

Class B Equipment

This equipment has been tested and found to comply with the limits for a Class B digital device, pursuant to Part 15 of the FCC Rules. These limits are designed to provide reasonable protection against harmful interference in a residential installation. This equipment generates, uses, and can radiate radio frequency energy and, if not installed and used in accordance with the instructions, may cause harmful interference to radio communications. However, there is no guarantee that interference will not occur in a particular installation. If this equipment does cause harmful Interference to radio or television reception, which can be determined by turning the equipment off and on, the user is encouraged to try to correct the interference by one or more of the following measures:

- Reorient or relocate the receiving antenna.
- Increase the separation between the equipment and receiver.
- Connect the equipment into an outlet on a circuit different from that to which the receiver is connected.
- Consult the dealer or an experienced radio/TV technician for help.

Warning: Changes or modifications to this device, not expressly approved by **Yale Home** could void the user's authority to operate the equipment.

Industry Canada:

This Class A digital apparatus meets all requirements of the Canadian Interference Causing Equipment Regulations.
Cet appareillage numérique de la classe A répond à toutes les exigences de l'interférence canadienne causant des règlements d'équipement.

Yale Home

24/7 Product Support : 1-855-213-5841 • www.US.YaleHome.com

Yale® and Assure Lever® are registered trademarks of Yale Home. Other products' brand names may be trademarks or registered trademarks of their respective owners and are mentioned for reference purposes only. © Copyright 2020. All rights reserved. Reproduction in whole or in part without the express written permission of Yale Home is prohibited.