

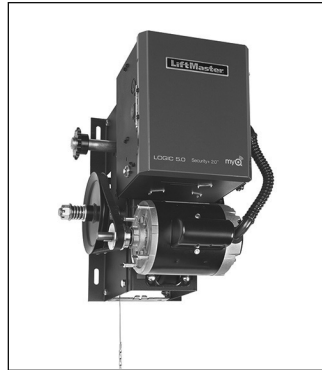
Logic 5.0 Commercial Door Operator

INSTALLATION MANUAL

Security+ 2.0®

myQ

Models T, APT, H, J, HJ, GH, and GT



NOT FOR RESIDENTIAL USE

- Please read this manual and the enclosed safety materials completely, prior to installation and use!
- This Product Is To Be Installed And Serviced By A Trained Door Systems Technician Only.
- A LiftMaster Monitored Entrapment Protection (LMEP) Device is REQUIRED for B2, T, TS, and FSTS wiring types.
- Upon completion of installation, test entrapment protection device(s) prior to placing the operator into active use.
- These operators are compatible with myQ® and Security+ 2.0® accessories.

2 YEAR WARRANTY

Serial # _____

Installation Date _____



LiftMaster
300 Windsor Drive
Oak Brook, IL 60523

LiftMaster®

CONNECTIVITY

- myQ Technology enables secure monitoring and control of Logic 5.0 operators and other myQ accessories with a smartphone, tablet or computer.
- Alerts can be received as email or pop-up (push) notifications on a mobile device, ensuring the status of a commercial door.
- myQ Mobile App is a free download and does not require an annual activation fee.

SAFETY AND SECURITY

- Security+ 2.0® – with every press of the button, a new code is sent to the commercial door operator, ensuring a door will only open for the remote control programmed.

UL 325 requires all commercial door operators to be either constant pressure to close or be equipped with a primary external monitored entrapment protection device.

LiftMaster® is the leading brand of professionally installed commercial door operators and access control products for businesses worldwide. We are committed to quality products, innovative designs and comprehensive services which exceed our Customers' expectations.

VOLTAGE SELECTION

VOLTAGE	PHASE	FIELD SELECTABLE
115V	1 Phase	YES
208V	3 Phase	YES
230V	1 and 3 Phase	YES
460V	3 Phase	YES
575V	3 Phase	NO

TABLE OF CONTENTS

SAFETY INFORMATION	3	ADJUSTMENT	22-23
TROLLEY OPERATORS	4-12	Limit Adjustment	22
Carton Inventory	4	Clutch Adjustment (Belt Drive Model Operators)	23
Operator Specifications	4-6	TESTING	24
ASSEMBLY	7-9	MANUAL RELEASE	25-26
Assemble the Operator (Models T and GT)	7	Emergency Disconnect System Model GT and T	25
Install the Chain (Models T and GT)	8	Emergency Disconnect System Model APT	25
Assemble the Operator (Model APT)	9	Emergency Disconnect System Model H, GH, J, and HJ	26
TYPICAL INSTALLATION	10-12	PROGRAMMING	27-43
Install the Header Bracket	10	Introduction to Programming	27
Attach the Track to the Header Bracket	11	Determine and Set Wiring Type	28-37
Hang the Operator	11	myQ Setup	38
Attach the Door Arm	12	Programming Remote Controls	38-40
HOIST AND JACKSHAFT OPERATORS	13-17	Maintenance Alert System (MAS)	40
Carton Inventory	13	Timer-To-Close	41
Operator Specifications	13-14	Open Mid-Stop	42
ASSEMBLY	16	Car Dealer Mode	42
Assemble the Operator	16	Maximum Run Timer (MRT)	43
TYPICAL INSTALLATION	16-17	Resetting Factory Defaults - Clearing Memory	43
Determine Mounting Location	16	MAINTENANCE	44
Mounting	17	Maintenance Schedule	44
Install the Manual Disconnect	17	Life of Operator Feature	44
WIRING	18-19	How to Order Repair Parts	44
Power and Ground	18	TROUBLESHOOTING	45-48
Voltage Selection	18	Diagnostic Chart	45
Control Station	19	Troubleshooting Guide	46
ENTRAPMENT PROTECTION	20-21	Troubleshooting Error Codes	47
LiftMaster Monitored Entrapment Protection (LMEP)	20	Troubleshooting Radio Functionality	48
Install the LiftMaster Monitored Entrapment Protection (LMEP) Devices (Optional)	21	WIRING DIAGRAMS	49-50
Wire the LiftMaster Monitored Entrapment Protection (LMEP) Devices	21	Logic (Ver. 5.0) 1 Phase Wiring Diagram	49
		Logic (Ver. 5.0) 3 Phase Wiring Diagram	50
		ACCESSORIES	51-53
		CONTROL CONNECTION DIAGRAM	54

SAFETY INFORMATION

WARNING

Mechanical

WARNING

Electrical

CAUTION

When you see these Safety Symbols and Signal Words on the following pages, they will alert you to the possibility of **serious injury** or **death** if you do not comply with the warnings that accompany them. The hazard may come from something mechanical or from electric shock. Read the warnings carefully.

When you see this Signal Word on the following pages, it will alert you to the possibility of damage to your door and/or the door operator if you do not comply with the cautionary statements that accompany it. Read them carefully.

IMPORTANT NOTES:

- *BEFORE attempting to install, operate or maintain the commercial door operator, you must read and fully understand this manual and follow all safety instructions.*
- *DO NOT attempt repair or service of a commercial door operator unless you are an Authorized Service Technician.*
- *A commercial door operator should only be installed on a properly balanced door only. Ensure door is properly balanced prior to installation.*

ENTRAPMENT PROTECTION DEVICES:

LiftMaster Monitored Entrapment Protection (LMEP)

Monitored photoelectric sensors and/or door edge sensors are required for any momentary contact to close modes of operation. See pages 20-21 for additional information. Refer to the accessories page 51, 'Entrapment Protection Devices' for available options.



WARNING: This product can expose you to chemicals including lead, which are known to the State of California to cause cancer or birth defects or other reproductive harm. For more information go to www.P65Warnings.ca.gov.

IMPORTANT INSTALLATION INSTRUCTIONS

WARNING

TO REDUCE THE RISK OF SEVERE INJURY OR DEATH:

1. READ AND FOLLOW ALL INSTALLATION WARNINGS AND INSTRUCTIONS.
2. Install door operator **ONLY** on a properly balanced and lubricated door. An improperly balanced door may **NOT** reverse when required and could result in **SEVERE INJURY** or **DEATH**.
3. **ALL** repairs to cables, spring assemblies and other hardware **MUST** be made by a trained door systems technician **BEFORE** installing an operator.
4. Disable **ALL** locks and remove **ALL** ropes connected to a door **BEFORE** installing an operator to avoid entanglement.
5. Install an operator, a minimum of 8 feet (2.44 m) from the floor.
6. **NEVER** connect a door operator to a power source until instructed to do so.
7. **NEVER** wear watches, rings or loose clothing while installing or servicing an operator. They could be caught in the door or operator mechanisms.
8. Install a control station:
 - within sight of the door.
 - out of reach of small children and at a minimum height of 5 feet (1.5 m) above floors, landings, steps, or any other adjacent walking surface.
 - away from **ALL** moving parts of the door.
9. Install the control station far enough from the door to prevent the user from coming in contact with the door while operating the controls.
10. Install the entrapment warning placard on the wall next to the control station in a prominent location, visible from the door.
11. Place the manual release/safety reverse test label in plain view on the inside of door.
12. Upon completion of installation, test the entrapment protection device(s).
13. This door operator is not intended to replace door locks. With enough force, a door without a door lock can be opened. LiftMaster always recommends the use of door locks to properly secure a door.
14. **SAVE THESE INSTRUCTIONS.**

TROLLEY OPERATORS

CARTON INVENTORY

Before beginning installation confirm all components are enclosed.

DESCRIPTION

Operator assembly

Installation manual and caution labels

Hardware box (includes fasteners, track spacers, trolley, door arm assembly, front idler and header mounting bracket)

3-Button control station with MAS LED

LiftMaster Monitored Entrapment Protection (**LMEP**)*

Trolley drive chain: #48 for 1/3 and 1/2 HP, #41 for 3/4 HP and higher (all GT models)

NOTE: The tracks are shipped separately.

* Based on customer order.

** Additional accessories may be included.

OPERATOR SPECIFICATIONS

DUAL VOLTAGE CONNECTIONS

Increase flexibility by enabling the installer to select the required voltage, within phase, to meet job-site requirements.

MODEL	VOLTAGE					HZ	HP					PHASE	
	115V	208V	230V	460V	575V		60	1/3	1/2	3/4	1	1-1/2	1
APT	•		•			•		•				•	
T	•	•	•	•	•	•	•	•	•	•		•	•
GT	•	•	•	•	•	•		•	•	•	•	•	•

TYPE: Continuous duty

ELECTRICAL

TRANSFORMER: 24Vac Secondary

CONTROL STATION: NEMA 1 General Purpose 3-Button Control Station Open/Close/Stop w/MAS LED

WIRING TYPE: C2 (Factory default), B2, T, TS, D1, E2 and FSTS. See page 28 for more information regarding wiring types.

BRAKE: Standard on APT, GT and 3/4-1 HP T's. Optional on 1/2 HP T and not available on 1/3 HP T.

DISCONNECT: Quick disconnect door arm for emergency manual door operation.

MECHANICAL

DRIVE REDUCTION:

Model APT First-stage heavy-duty 5L V-belt; second and third stages #41 chain; #48 output chain on trolley.

Model T First-stage heavy-duty 5L V-belt; second #41 chain; #48 (for 1/3 and 1/2HP) and #41 (for 3/4 and 1HP) output chain on trolley.

Model GT 10:1 first-stage using heavy-duty gears running in oil bath; cast iron housing; #41 chain second stage; #41 output chain on trolley.

OUTPUT SHAFT SPEED:

Model APT: 96 RPM

Model GT: 113.5 RPM

Model T: 140 RPM

DOOR SPEED (NOT ADJUSTABLE):

Model APT: 6-7" (15-18 cm) per second

Model GT: 11-12" (28-30.5 cm) per second

Model T: 11-12" (28-30.5 cm) per second

LIMIT ADJUST: Linear driven with adjustable limit nuts up to 24 feet (7.3 m).

BEARINGS: Models APT and T - Industrial ball bearings on output shaft, heavy-duty oil-filled bushing on reduction shafts.

Model GT - Sealed roller bearings in gear reducer. Flange-mount industrial ball bearings on drive shaft.

OPERATOR SPECIFICATIONS

MAXIMUM DOOR AREA (SQ. FT.)

MODEL T						
STANDARD SECTIONAL	---	24 ga. Steel	20 ga. Steel	16 ga. Steel	---	---
	Fiberglass Doors	Alum. Doors	Wood Doors	---	---	---
	---	---	24 ga. Steel Insulated	20 ga. Steel Insulated	16 ga. Steel Insulated	---
HP	1/3	310	285	260	175	125
	1/2	400	350	320	250	200
	3/4	560	500	450	325	275
	1	640	625	560	400	310

NOTE: On steel insulated doors, a 24-gauge back panel is assumed. If a heavier back panel is supplied, use the next higher HP rating. Recommended Duty Cycles: 25 per hour, in excess of 80-90 per day.

MODEL APT				
STANDARD SECTIONAL	24 ga. Steel	20 ga. Steel	16 ga. Steel	---
	Alum. Doors	Wood Doors	---	---
	Fiberglass Doors	24 ga. Steel Insulated	20 ga. Steel Insulated	16 ga. Steel Insulated
SQ. FT.	250	225	150	100

NOTE: On steel insulated doors, a 24-gauge back panel is assumed. Recommended Duty Cycles: For application requiring over 100 cycles per day.

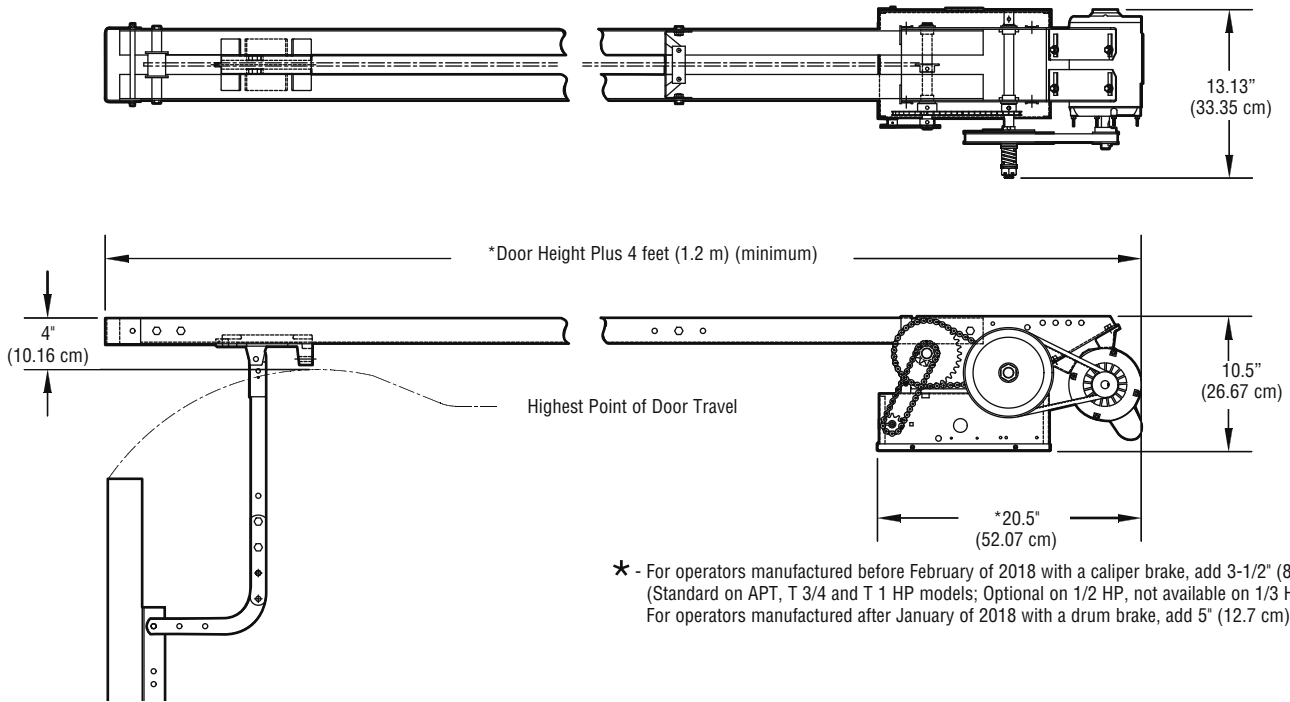
MODEL GT						
STANDARD SECTIONAL	---	24 ga. Steel	20 ga. Steel	16 ga. Steel	---	---
	Fiberglass Doors	Alum. Doors	Wood Doors	---	---	---
	---	---	24 ga. Steel Insulated	20 ga. Steel Insulated	16 ga. Steel Insulated	---
HP	1/2	400	350	320	250	200
	3/4	560	500	450	325	250
	1	625	575	500	400	300
	1-1/2	---	625	550	475	380

NOTE: On steel insulated doors, a 24-gauge back panel is assumed. If a heavier back panel is supplied, use the next higher HP rating. Recommended Duty Cycles: 25 per hour, in excess of 90 per day.

WEIGHTS AND DIMENSIONS

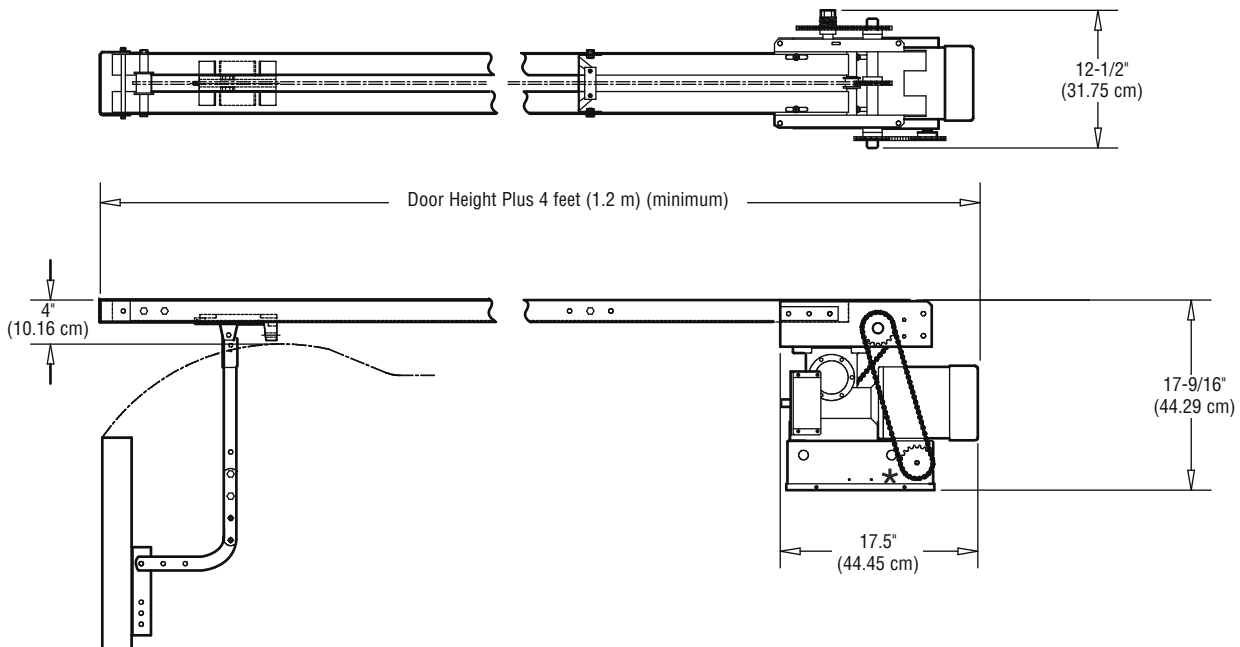
MODELS T AND APT

Hanging Weight: 80-110 lbs.



MODEL GT

Hanging Weight: 140 lbs.



ASSEMBLY

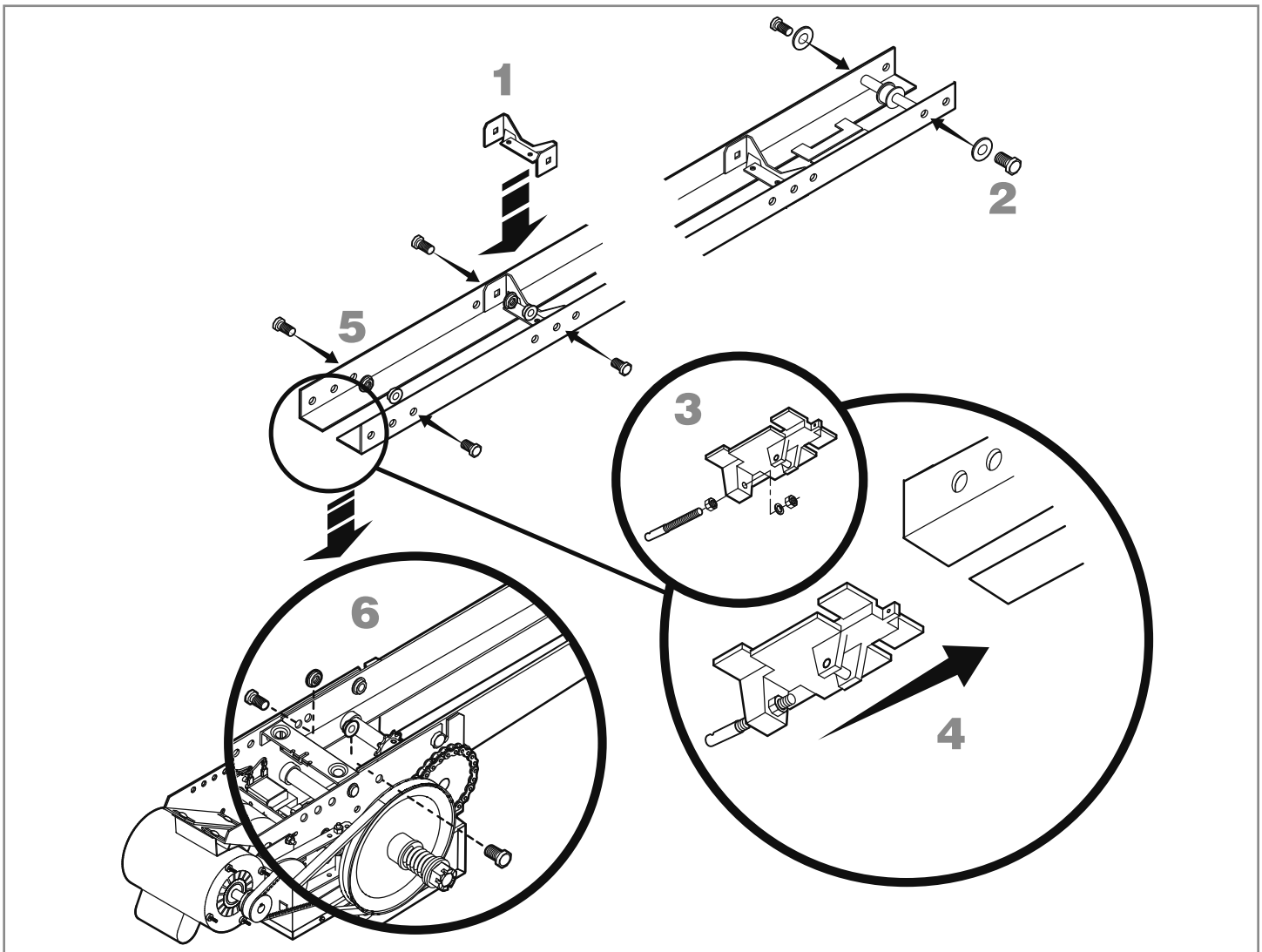
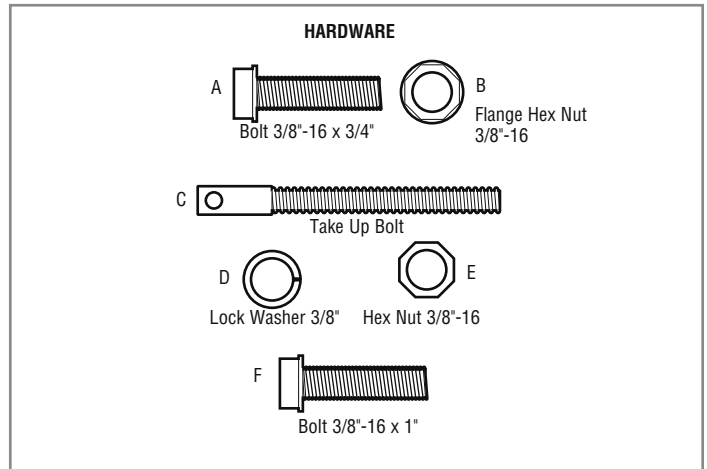
ASSEMBLE THE OPERATOR (MODELS T AND GT)

NOTE: For Model APT assembly refer to page 9.

- 1 Install the track spacers evenly over the length of the track. Fasten the spacers to the track with bolt (A) and flange hex nuts (B).

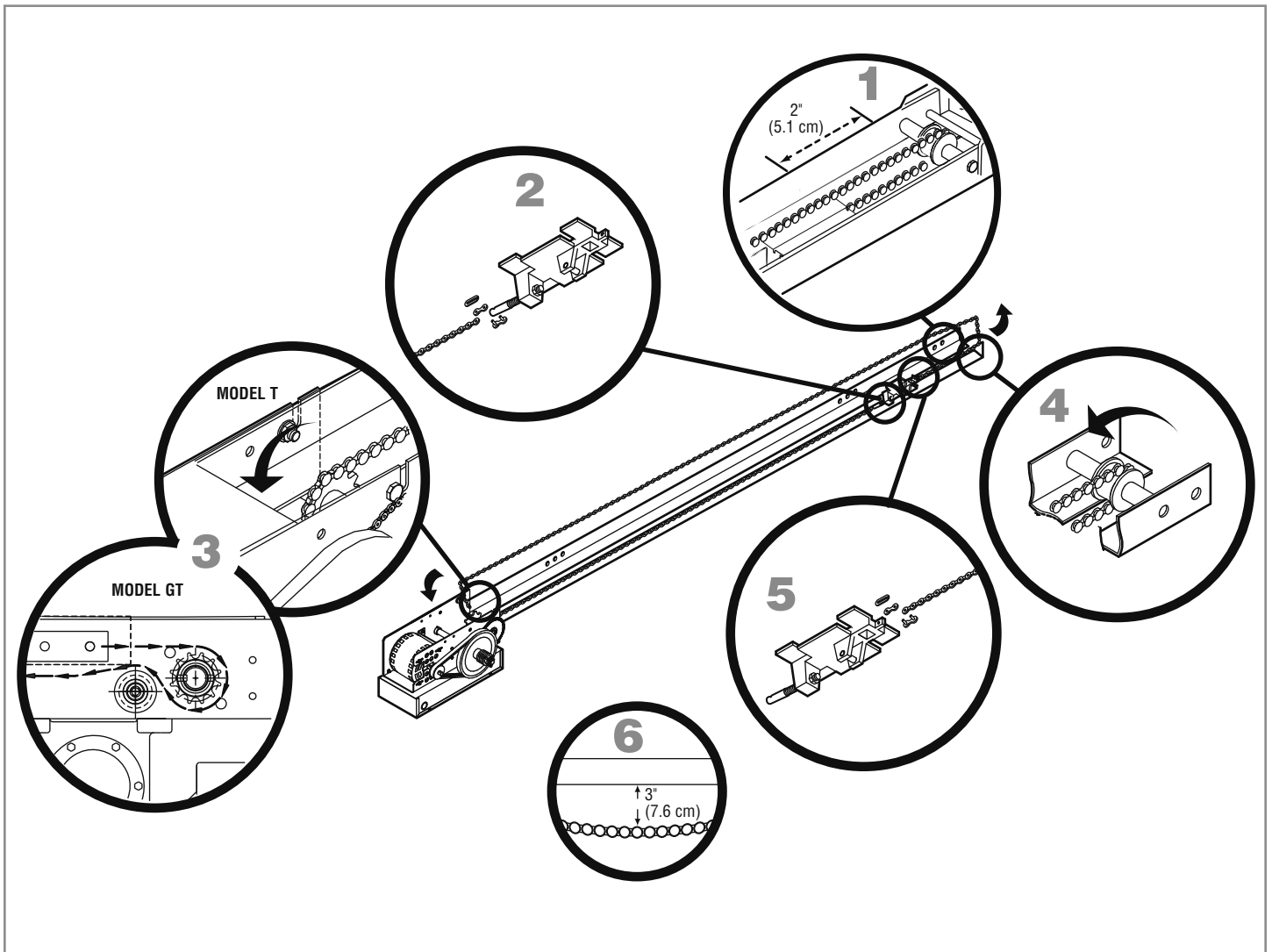
SPACERS PROVIDED	TRACK LENGTH
2	8-14 Foot
3	16-20 Foot
4	22-24 Foot

- 2 Install the front idler to the track with bolts (F) and washers (D).
- 3 Assemble the trolley with the take up bolt (C), hex nuts (E), and lock washer (D).
- 4 Slide the trolley onto the track.
- 5 Insert bolts (A) into the end of the track and loosely thread the nuts (B) onto the ends of the bolts.
- 6 Slide bolts (A) on the end of the track assembly into the "L" slot in the operator and tighten nuts (B). Insert bolts (A) into the holes on the end of the track and the operator. Secure the track with nuts (B).



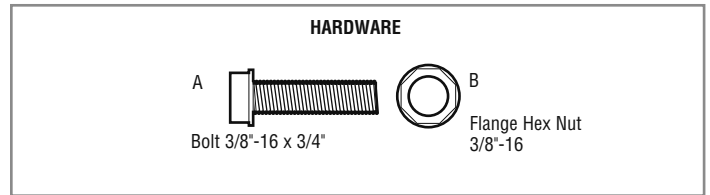
INSTALL THE CHAIN (MODELS T AND GT)

- 1** Position the trolley 2 inches (5.1 cm) away from the front idler.
- 2** Attach the chain to the trolley threaded shaft using the master link.
- 3** Run the chain along the track to the operator. Wrap the chain around the operator drive sprocket.
- 4** Run the chain along the track to the front idler. Wrap the chain around the front idler.
- 5** Attach the chain to the front of the trolley using the master link.
- 6** Tighten the chain until the chain sags about 3 inches (7.6 cm) at the mid point of the track.

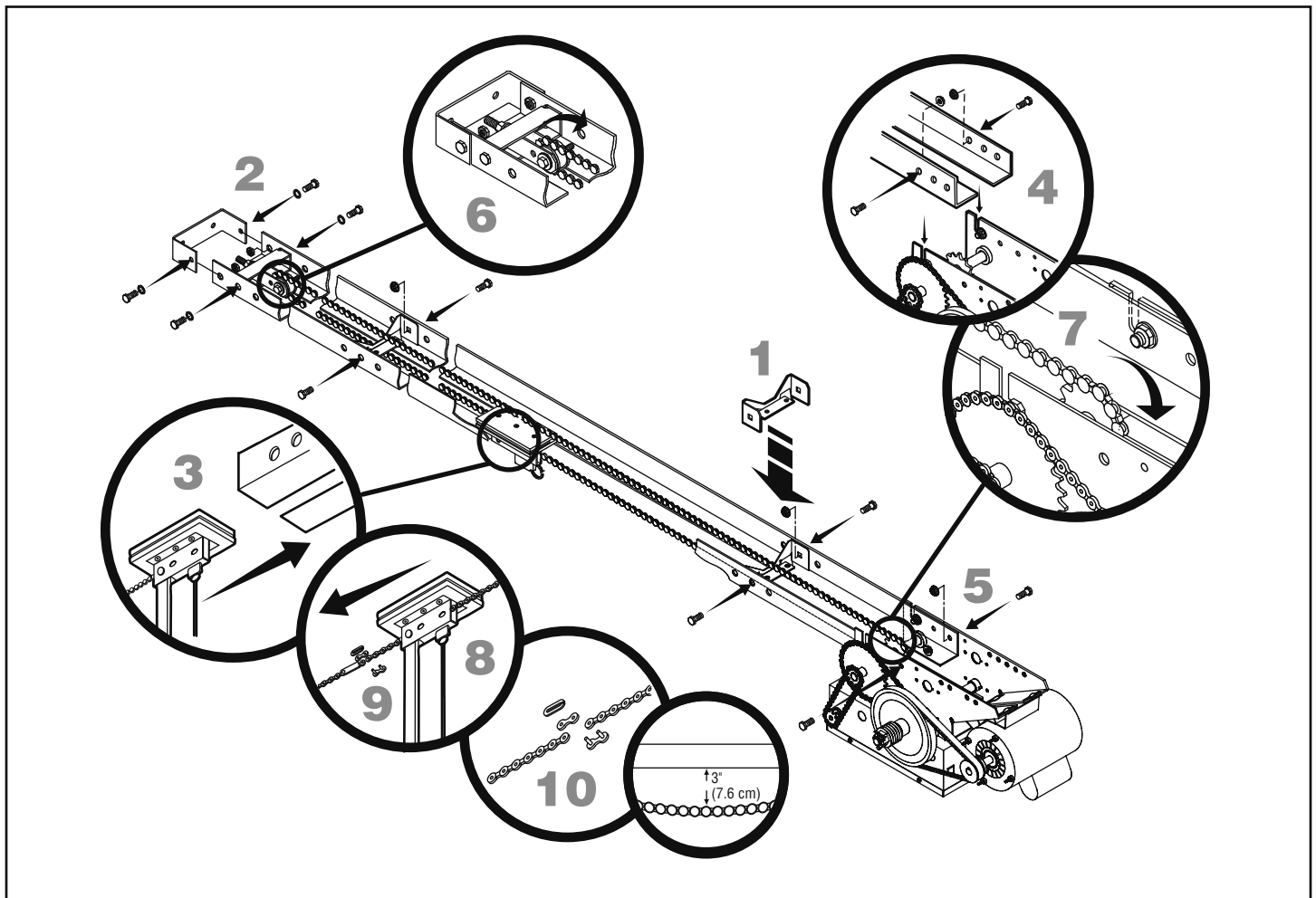


ASSEMBLE THE OPERATOR (MODEL APT)

- 1** Install the track spacers evenly over the length of the track. Fasten the spacers to the track with bolt (A) and flange hex nuts (B).
- 2** Install the front idler in the second set of holes on the end of the track with bolts (A) and nuts (B).
- 3** Slide the trolley onto the track so the door arm hole faces the front (towards the door).
- 4** Insert bolts (A) into the end of the track and loosely thread the nuts (B) onto the ends of the bolts. Slide bolts (A) on the end of the track assembly into the "L" slot in the operator and tighten nuts (B).
- 5** Insert bolts (A) into the holes on the end of the track and the operator. Secure the track with nuts (B).
- 6** Run the chain along the track to the front idler. Wrap the chain around the front idler.
- 7** Run the chain along the track to the operator. Wrap the chain around the operator drive sprocket.



- 8** Pull the release clip on the trolley and push the end of the chain through the slot in the trolley.
- 9** Attach one end of the chain to the drive link using a master link.
- 10** Attach the other end of the chain to the free end of the drive link using a master link and making sure the chain has the correct tension (the chain should sag about 3 inches (7.6 cm) at the mid point of the track). The chain will need to be cut for proper adjustment. The take-up bolt can be loosened or tightened to adjust the slack of the chain. Slide the trolley back and forth past the drive chain to ensure there is no binding.



TYPICAL INSTALLATION

INSTALL THE HEADER BRACKET

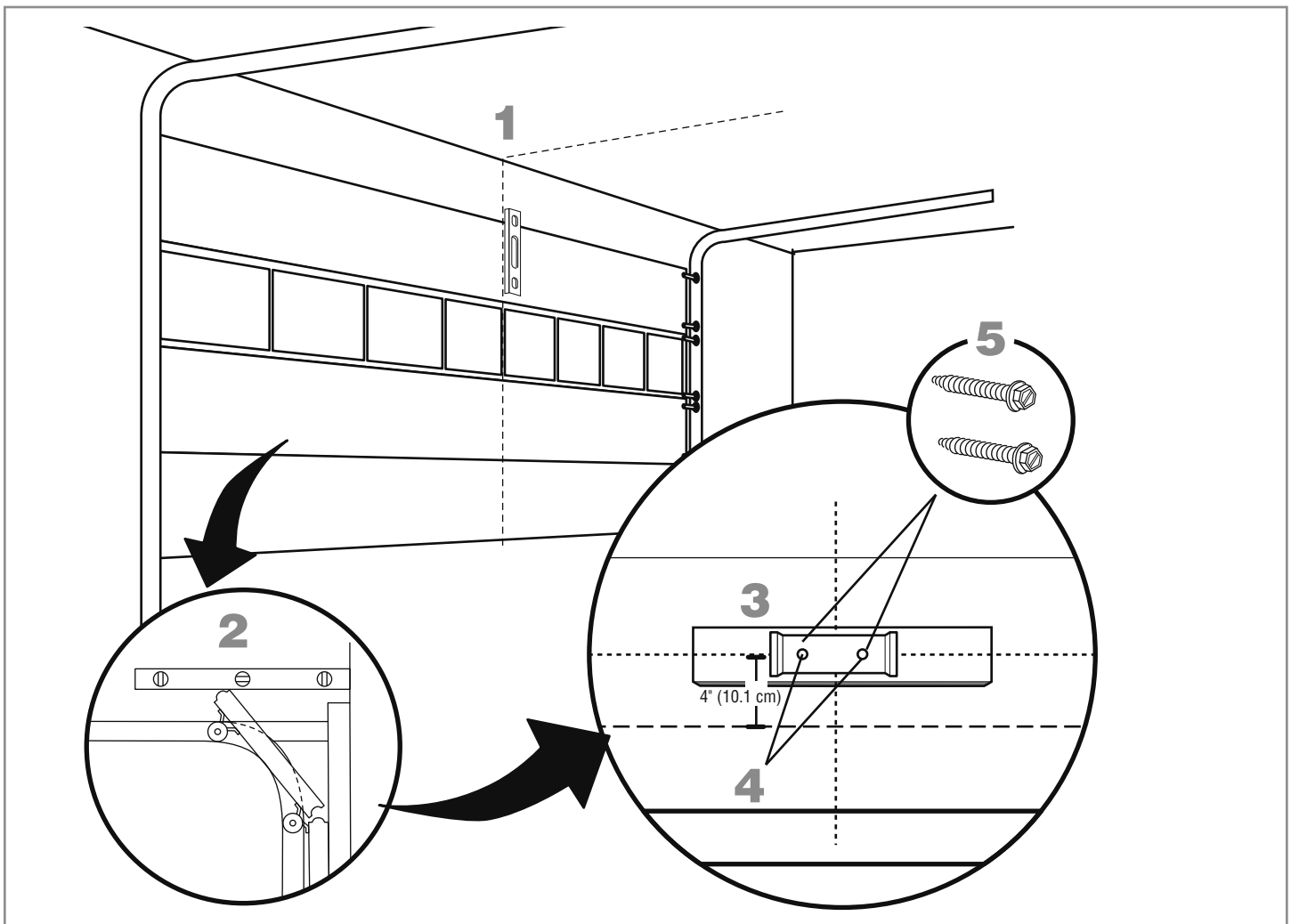
The trolley operator is generally mounted over the center of the door. However, off center mounting may be required due to interfering structures or location of the door stile / top section support. Typically, the operator may be mounted up to 24 inches (60.1 cm) off center on torsion spring doors. Extension springs require center mounting.

- 1** Close the door. Mark the center of the door with a vertical line, extend the line onto the ceiling.
- 2** Open the door to the highest point of travel mark 4 inches (10.1 cm) above the highest point of travel.
- 3** Center the header bracket on the vertical center line and the horizontal line.
- 4** Drill the pilot holes for the header bracket.
- 5** Fasten the header bracket with appropriate hardware (not provided).

⚠ WARNING

To prevent possible **SERIOUS INJURY** or **DEATH**:

- Header bracket **MUST** be **RIGIDLY** fastened to the structural support on the header wall or ceiling, otherwise the door might **NOT** reverse when required. **DO NOT** install the header bracket over drywall.
- Concrete anchors **MUST** be used if mounting the header bracket or 2x4 into masonry.
- **NEVER** try to loosen, move or adjust door, springs, cables, pulleys, brackets, or their hardware, **ALL** of which are under **EXTREME** tension.
- **ALWAYS** call an Authorized Service Technician if door binds, sticks, or is out of balance.



ATTACH THE TRACK TO THE HEADER BRACKET AND HANG THE OPERATOR

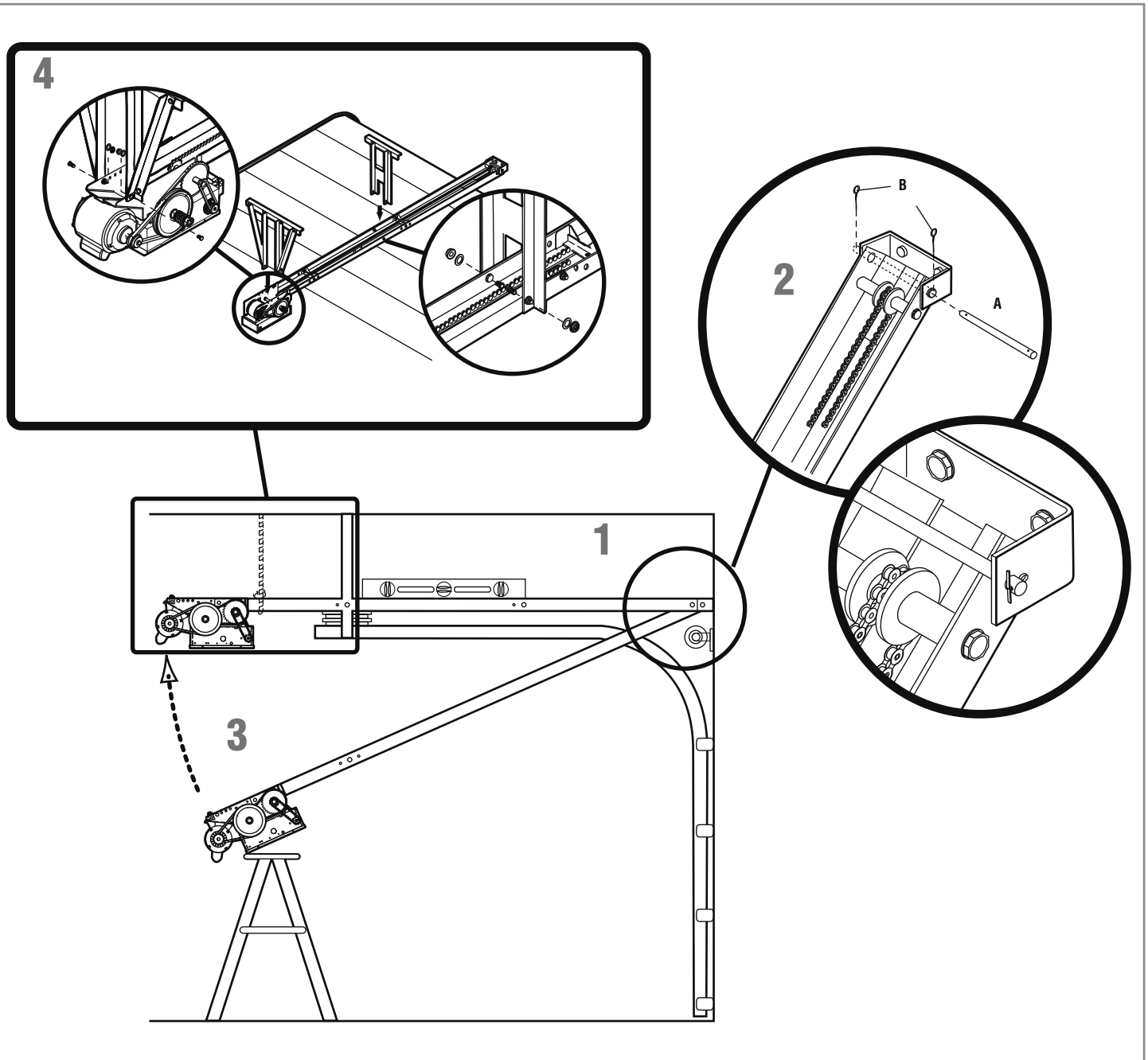
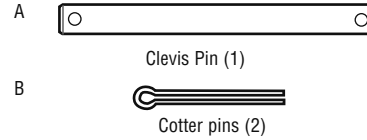
- 1 Align the track with the header bracket.
- 2 Insert the clevis pin through the track and header bracket holes. Secure with the fasteners.
- 3 Swing the operator up and ensure the operator is level.
- 4 Secure the operator using the appropriate fasteners and locking hardware to support the weight of the operator.

⚠ CAUTION

To avoid possible **SERIOUS INJURY** from a falling operator:

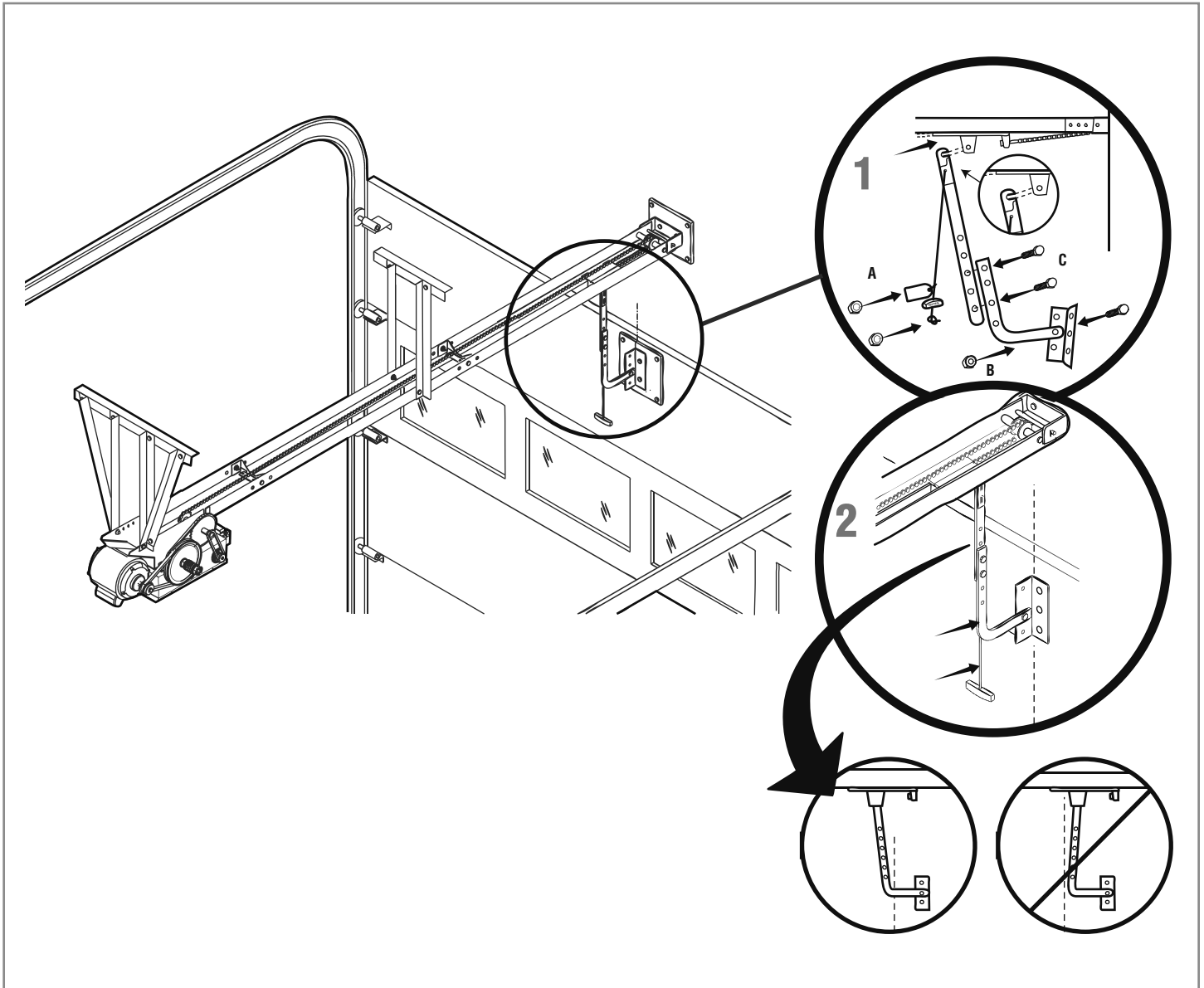
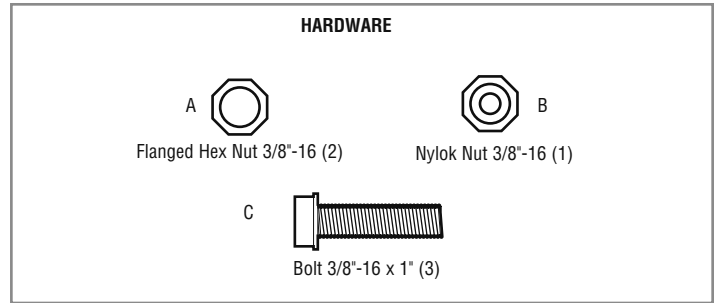
- Fasten the operator **SECURELY** to structural supports of the building.
- Concrete anchors **MUST** be used if installing **ANY** brackets into masonry.

HARDWARE



ATTACH THE DOOR ARM AND BRACKET

- 1** Latch the door arm to the trolley. Make sure the open side of the notch on the door arm faces the door.
- 2** Position the door bracket to the center line of the door and attach the door bracket to the door using appropriate hardware (not included). **NOTE:** When properly installed and adjusted the door arm should be leaning back toward the operator slightly. Refer to door manufacturer's instructions for recommended installation guidelines.



HOIST AND JACKSHAFT OPERATORS

CARTON INVENTORY

Before beginning installation confirm all components are enclosed.

DESCRIPTION

- Powerhead assembly
- Installation manual and caution labels
- Hardware box (includes fasteners)
- 3-Button Control Station with MAS LED
- LiftMaster Monitored Entrapment Protection (LMEP)*
- Hoist hand chain (Models H, HJ and GH ONLY)
- Door sprocket (with setscrew and keyway)
- Door/operator drive chain

* Based on customer order.

** Additional accessories may be included.

WARNING

To prevent possible SERIOUS INJURY, DEATH, or uncontrolled descent of the door:

- When installing a jackshaft-style operator on a sectional door, additional precautions MUST be taken to assure that proper door cable tension is present throughout the ENTIRE travel of the door.

OPERATOR SPECIFICATIONS

DUAL VOLTAGE CONNECTIONS

Increase flexibility by enabling the installer to select the required voltage, within phase, to meet job-site requirements.

MODEL	VOLTAGE					HZ		HP			PHASE		
	115V	208V	230V	460V	575V	60	1/3	1/2	3/4	1	1-1/2	2	3
H	•	•	•	•	•	•	•	•	•	•	•	•	•
J	•	•	•	•	•	•	•	•	•	•	•	•	•
HJ	•	•	•	•	•	•	•	•	•	•	•	•	•
GH	•	•	•	•	•	•	•	•	•	•	•	•	•

TYPE: Continuous duty

ELECTRICAL

TRANSFORMER: 24Vac Secondary

CONTROL STATION: NEMA 1 General Purpose 3-Button Control Station Open/Close/Stop w/LED

WIRING TYPE: C2 (Factory default), B2, T, TS, D1, E2 and FSTS. See page 28 for more information regarding wiring types.

BRAKE: J Standard on 3/4 and 1 HP operators (optional on 1/2 HP, not available on 1/3 HP)
H Standard on 3/4 and 1 HP operators. (optional on 1/2 HP; not available on 1/3 HP).

DISCONNECT: Standard on all GH operators.
Model J - Floor level disconnect for manual door operation.
Models H and GH - Floor level chain hoist with electrical interlock for manual door operation.
Model HJ - Includes both floor level disconnect systems stated above.

MECHANICAL

DRIVE REDUCTION:

Model J, H, and HJ - Primary: Heavy duty (5L) V-Belt
Secondary: #48 chain/sprocket;
Output: #50 chain

Model GH - Primary: 45:1 for 1/2, 3/4 and 1 HP
Worm gear-in-oil bath gear reducer 44:1 for 1-1/2 and 2 HP 42:1 for 3 HP
Output: #50 chain

DOOR SPEED: Model J, H and HJ - 8-9" (20-23 cm) per second depending on door
Model GH - 8-9" (20-23 cm) per second depending on door

LIMIT ADJUST: Linear driven with adjustable limit nuts up to 24 feet (7.3 m).

BEARINGS: Models H and HJ - Industrial ball bearings on output shaft, heavy-duty oil-filled bushing on reduction shafts.
Model J - Industrial ball bearings on 1" (2.5 cm) output shaft; heavy-duty oil-filled bushings on reduction shafts.
Model GH - Sealed roller bearings in gear reducer.

HAND CHAIN WHEEL: H, HJ, and GH only. Ordered Left or Right for H, HJ, and 3 HP GH. Switchable in field for GH 1/2 through 2 HP.

MAXIMUM DOOR AREA (SQ. FT.)

MODELS J, H, AND HJ							
ROLLING		24 ga. Steel	22 ga. Steel	---	20 ga. 18 ga. Steel	16 ga. Steel	---
		Alum. Grilles	Alum. Doors	---	Steel Grilles	---	---
SECTIONAL		---	24 ga. 22 ga. Steel	20 ga. Steel	---	16 ga. Steel	---
		Fiberglass Doors	Alum. Doors	Wood Doors	---	---	---
		---	---	24 ga. Steel Insul.	---	20 ga. Steel Insul.	16 ga. Steel Insul.
HP	1/3	310	285	260	210	175	125
	1/2	400	350	320	280	250	200
	3/4	560	500	450	380	325	250
	1	640	625	560	475	400	310

NOTE: On steel insulated doors, a 24-gauge back panel is assumed. If a heavier back panel is supplied, use the next higher HP rating. Recommended Duty Cycles: Up to 25 per hour, up to 80-90 per day.

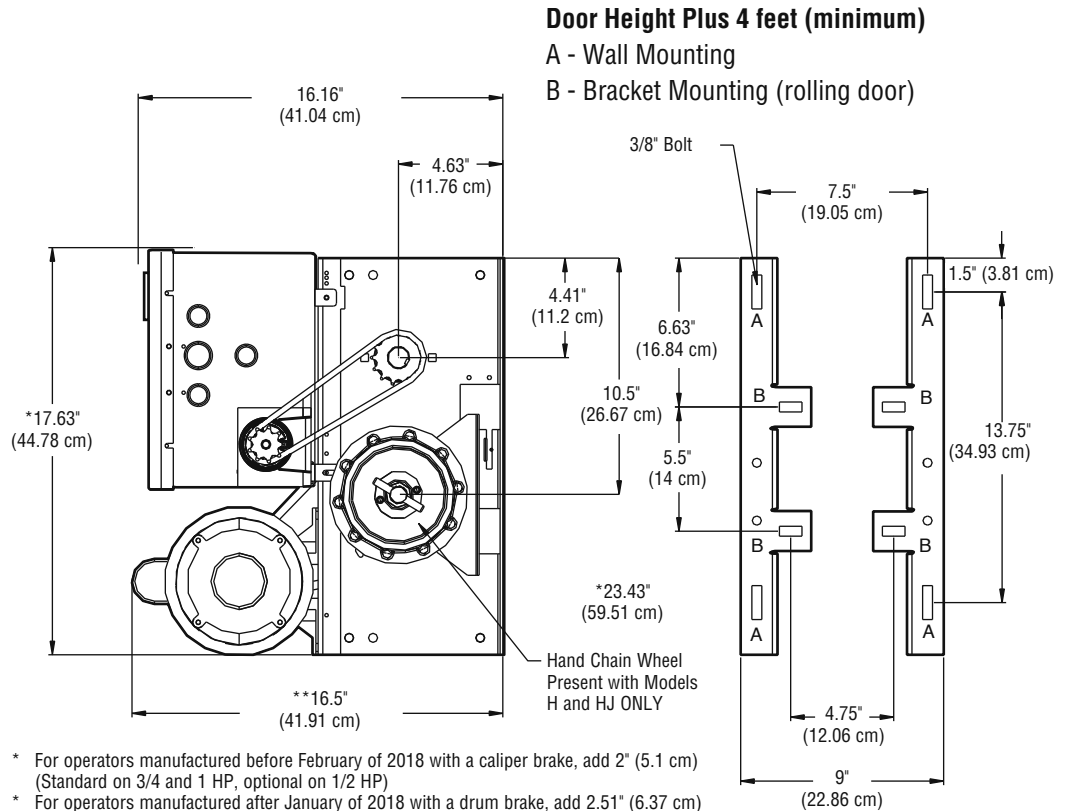
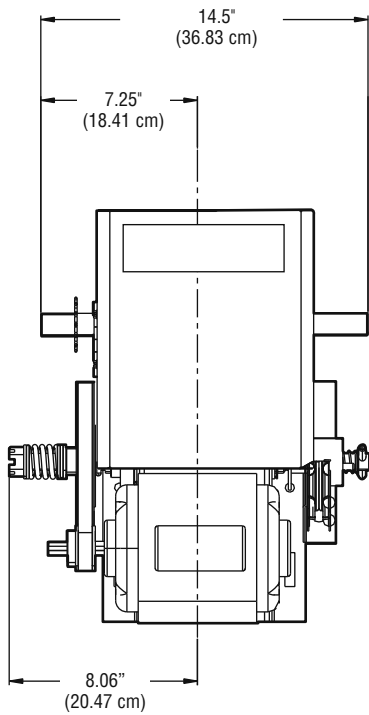
MODEL GH							
ROLLING		24 ga. Steel	22 ga. Steel	---	20 ga. 18 ga. Steel	16 ga. Steel	---
		Alum. Grilles	Alum. Doors	---	Steel Grilles	---	---
SECTIONAL		---	24 ga. 22 ga. Steel	20 ga. Steel	---	16 ga. Steel	---
		Fiberglass Doors	Alum. Doors	Wood Doors	---	---	---
		---	---	24 ga. Steel Insul.	---	20 ga. Steel Insul.	16 ga. Steel Insul.
HP	1/2	325	300	275	250	225	175
	3/4	480	430	390	340	275	225
	1	650	560	500	430	325	300
	1-1/2	---	---	680	540	425	375
	2	---	---	---	640	560	460
	3	---	---	---	875	840	620
5	Call for specifications						

NOTE: On steel insulated doors, a 24-gauge back panel is assumed. If a heavier back panel is supplied, use the next higher HP rating. Recommended Duty Cycles: 25 per hour, in excess of 90 per day.

WEIGHTS AND DIMENSIONS

MODELS J, H AND HJ

Hanging Weight: 80-110 lbs.

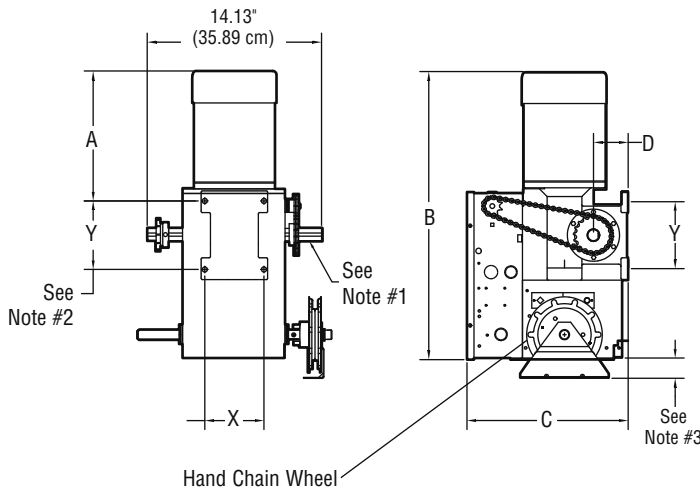


Door Height Plus 4 feet (minimum)
 A - Wall Mounting
 B - Bracket Mounting (rolling door)

- * For operators manufactured before February of 2018 with a caliper brake, add 2" (5.1 cm) (Standard on 3/4 and 1 HP, optional on 1/2 HP)
- * For operators manufactured after January of 2018 with a drum brake, add 2.51" (6.37 cm) for left hand operator and add 1.82" (4.62 cm) for right hand operator
- ** For operators manufactured after January of 2018 with a drum brake, add .44" (1.1 cm) for left hand operator and add 1.21" (3.07 cm) for right hand operator

MODEL GH

Hanging Weight: 140 lbs.



HP	PHASE	DIMENSIONS			
		A	B	C	D
1/2	1	11-1/2"	25-3/4"	12-63/64"	3"
3/4	1	12-1/2"	26-3/4"	12-63/64"	3"
1	1	12-3/4"	27"	12-63/64"	3"
1-1/2	1	12-3/4"	27"	13-63/64"	3-1/2"
1/2	3	11"	25-1/4"	12-63/64"	3"
3/4	3	11"	25-1/4"	12-63/64"	3"
1	3	12"	26-1/4"	12-63/64"	3"
1-1/2	3	12-1/2"	26-3/4"	13-63/64"	3-1/2"
2	3	12-3/4"	27"	13-63/64"	3-1/2"
3	3	13-1/4"	28-5/8"	15-15/64"	3-15/16"

NOTES:

- 1) Output shaft with 1" x 1/4" key for 1/2 thru 1 HP operators, 1-3/16" x 5/16" key for 1-1/2 and 2 HP operators, 1-1/4" x 1/4" key for 3 HP operators.
- 2) Mounting centers: X = 4-3/4"; Y = 5-1/2" for 1/2 thru 2 HP operators.
 X = 3-5/8"; Y = 9-1/16" for 3 HP operators.
- 3) Hand chain wheel extends 1-5/8" beyond operator in vertical mounting position as shown.

ASSEMBLY

ASSEMBLE THE OPERATOR

The wall or mounting surface MUST provide adequate support for the operator.

The surface must:

- Be rigid to prevent play between the operator and the door shaft.
- Provide a level base.
- Permit the operator to be fastened securely and with the drive shaft parallel to the door shaft.

1 Select right (R) or left (L) handing.

On models J and GH operators the drive sprocket can be mounted on either the right or left side.

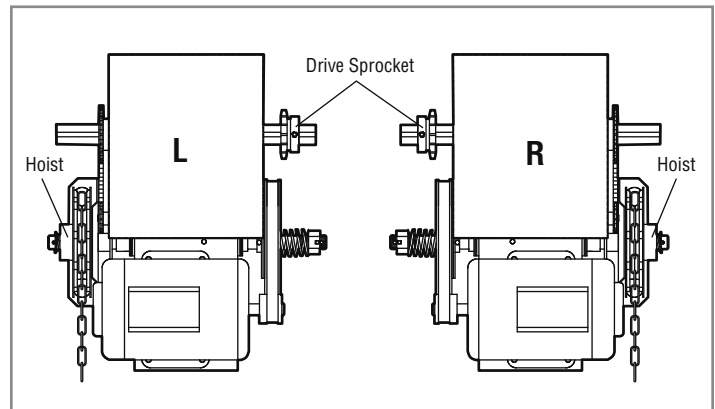
For models H and HJ with manual hand chain systems, the handing of the operator must be determined at the time of order. The handing is indicated by the last letter of the model number (R or L). If the position of the operator causes the hand chain to hang in the door opening hook the chain to the side near the top of the door jamb.

2 Place the operator drive sprocket on the appropriate side of the operator for your installation type. To avoid potential damage caused by an overhung load, position the sprocket as close to the center of the exposed drive shaft.

WARNING

To prevent possible **SERIOUS INJURY** or **DEATH**:

- **DO NOT** connect electric power until instructed to do so.
- If the door lock needs to remain functional, install an interlock switch.
- **ALWAYS** call an Authorized Service Technician if door binds, sticks or is out of balance. An unbalanced door may **NOT** reverse when required.
- **NEVER** try to loosen, move or adjust doors, door springs, cable, pulleys, brackets or their hardware, **ALL** of which are under **EXTREME** tension and can cause **SERIOUS PERSONAL INJURY**.
- Disable **ALL** locks and remove **ALL** ropes connected to door **BEFORE** installing and operating door operator to avoid entanglement.
- Fasten the operator **SECURELY** to structural supports of the building.
- Concrete anchors **MUST** be used if installing **ANY** brackets.



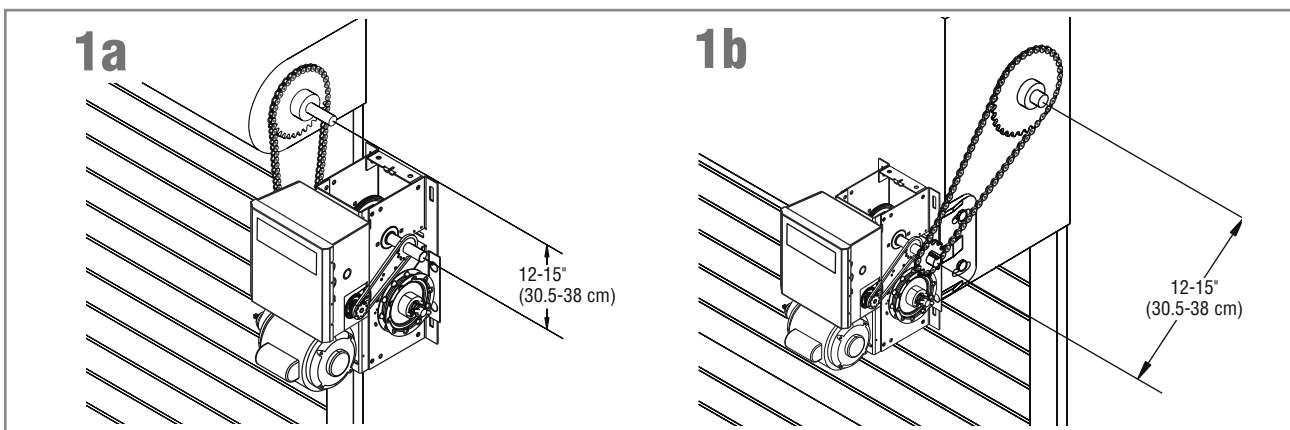
TYPICAL INSTALLATION

DETERMINE MOUNTING LOCATION

1 The operator may be mounted on the wall, shelf or bracket (not provided, see accessories). The optimum distance between the door shaft and operator drive shaft is 12-15 inches (30.5-38 cm).

1a Wall mount

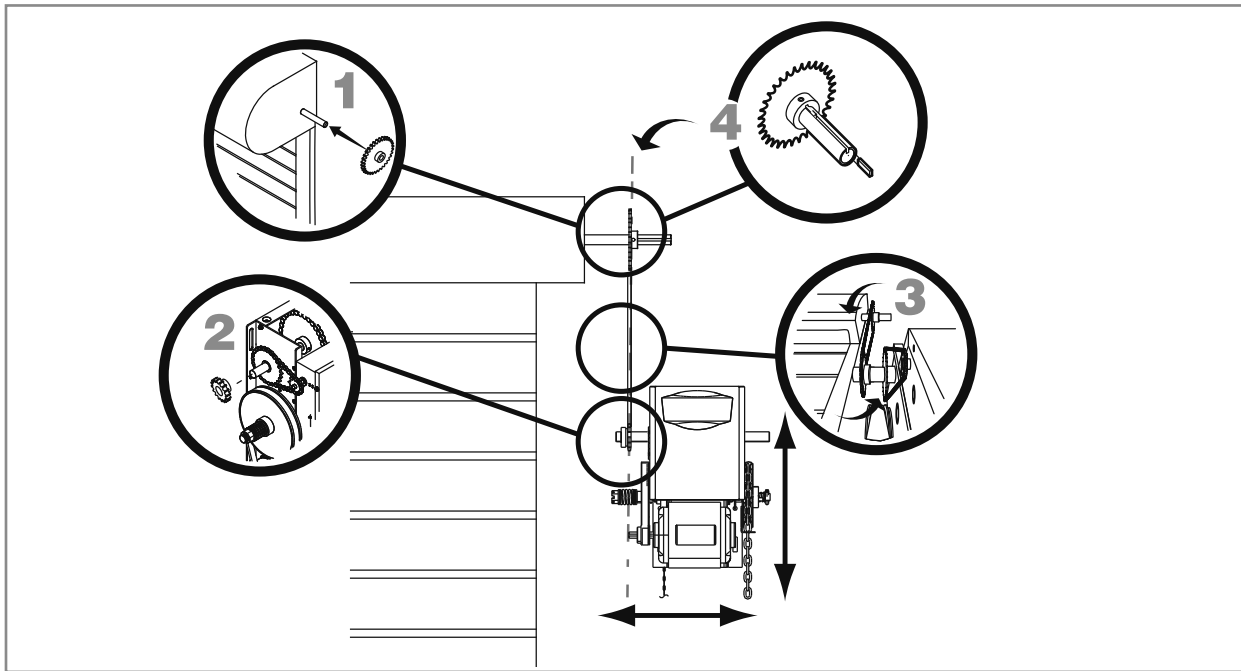
1b Shelf or bracket mount



MOUNTING

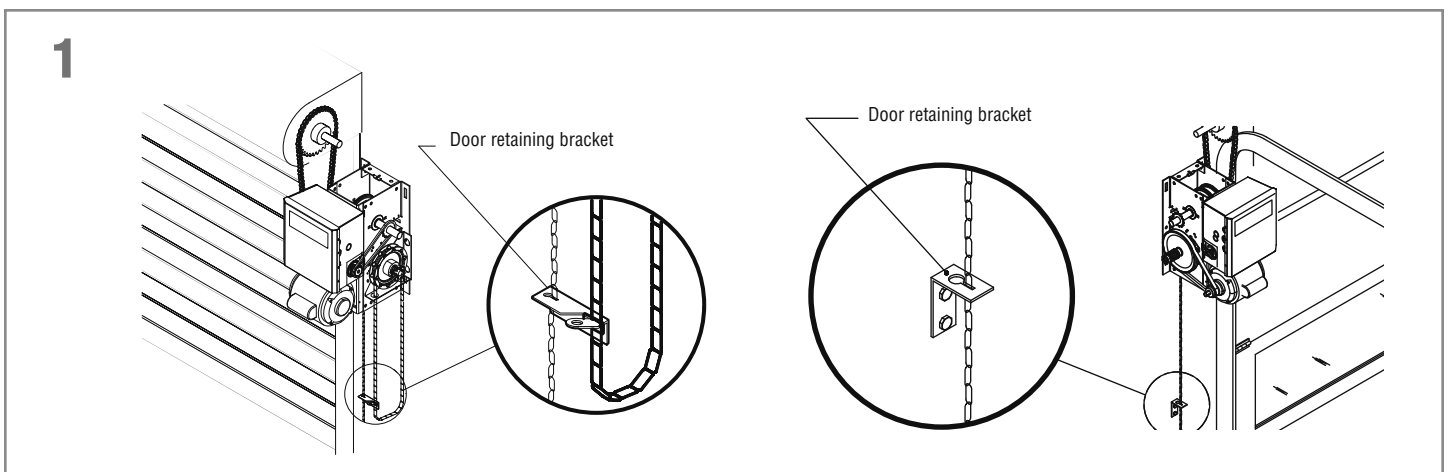
- 1 Place the door sprocket on the door shaft.
- 2 Wrap the drive chain around the door sprocket and the drive sprocket then secure with the master link.
- 3 Align the door and the drive sprockets. Insert keys and fasten the sprockets with the set screws (recommended torque for the set screws is 34-45 in/lb).

NOTE: It is highly recommended to add a thread adhesive to secure the set screws in place.



INSTALL THE MANUAL DISCONNECT

- 1 Fasten Door retaining bracket 4 feet (1.2 m) above the floor.



WIRING

⚠️ ⚡ WARNING

To reduce the risk of SEVERE INJURY or DEATH:

- ANY maintenance to the operator or in the area near the operator MUST NOT be performed until disconnecting the electrical power and locking-out the power. Upon completion of maintenance the area MUST be cleared and secured, at that time the unit may be returned to service.
- Disconnect power at the fuse box BEFORE proceeding. Operator MUST be properly grounded and connected in accordance with national and local electrical codes. The operator should be on a separate fused line of adequate capacity.

- ALL electrical connections MUST be made by a qualified individual.
- DO NOT install ANY wiring or attempt to run the operator without consulting the wiring diagram.
- ALL power wiring should be on a dedicated circuit and well protected. The location of the power disconnect should be visible and clearly labeled.
- ALL power and control wiring MUST be run in separately.

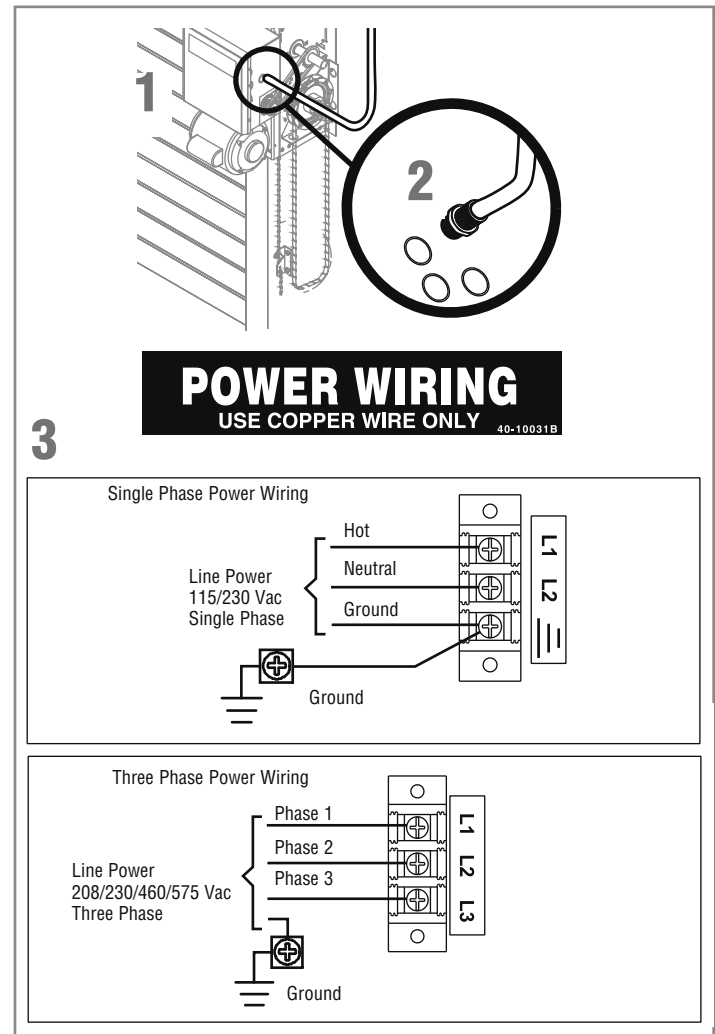
POWER AND GROUND

Power and control wiring must be run in separate conduit to comply with national and local electrical codes. For power wiring, use the appropriate wire gauge. Use conduit knockouts, conduit fittings, and appropriate conduit fittings for wiring as indicated on the electrical box label.

- 1 Remove the operator cover.
- 2 Run power wires to electrical box according to national and local electrical codes.
ON THREE PHASE MACHINES ONLY: Incorrect phasing of the power supply will cause the motor to rotate in the wrong direction. To change motor rotation, exchange incoming power leads L1 and L2.

- 3 Attach power and ground wires to appropriate terminals.
NOTE: The operator must be properly grounded. Failure to properly ground the operator could result in electric shock and serious injury.

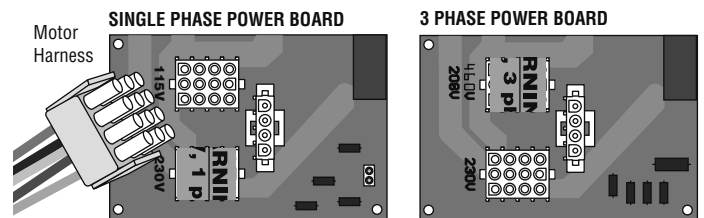
POWER WIRING CHART	
DISTANCE	GAUGE
50 feet (15.2 m)	14 AWG
100 feet (30.5 m)	12 AWG
200 feet (61 m)	8 AWG*
350 feet (106.7 m)	6 AWG*
500 feet (152.4 m)	4 AWG*
1000 feet (304.8 m)	2 AWG*
* Maximum wire gauge that can be connected to the operator's terminal is 12 AWG. When a larger wire gauge is required, the wire must be gauged down to 12 AWG. USE COPPER WIRE ONLY.	



VOLTAGE SELECTION

For all operators except for 575V 3 Phase operators, follow the steps below. The motor harness is connected to the power board at the factory on all 575V 3 Phase operators.

- 1 Locate motor harness inside of the electrical box.
- 2 On the POWER BOARD find the appropriate receptacle matching the incoming line voltage. Remove the voltage label and apply to the inside of the electrical box for future reference. Insert the motor harness fully until locked in place.



Fusing on the 3-Phase Power Board is not field-replaceable. An Open Fuse indicates that the 3-Phase Power Board is damaged and must be replaced. Failure to replace the complete 3-Phase Power Board may result in additional damage to the Operator.

CONTROL STATION

⚠️ ⚡ WARNING

To prevent possible **SERIOUS INJURY** or **DEATH** from electrocution:

- Be sure power is **NOT** connected **BEFORE** installing the door control.

To prevent possible **SERIOUS INJURY** or **DEATH** from a closing door:

- Install the door control within sight of the door, out of reach of small children, at a minimum height of 5 feet (1.5 m) above floors, landings, steps, or any other adjacent walking surface, and away from **ALL** moving parts of the door.
- Install the control station far enough from the door to prevent

the user from coming in contact with the door while operating the controls.

- Install the entrapment warning placard on the wall next to the control station in a prominent location visible from the door.
- **NEVER** permit children to operate or play with door control push buttons or remote controls.
- Activate a door **ONLY** when it can be seen clearly, is properly adjusted and no obstructions exists in the path the door will travel.
- **ALWAYS** keep the door in sight until completely closed. **NEVER** permit anyone to cross path of a closing door.

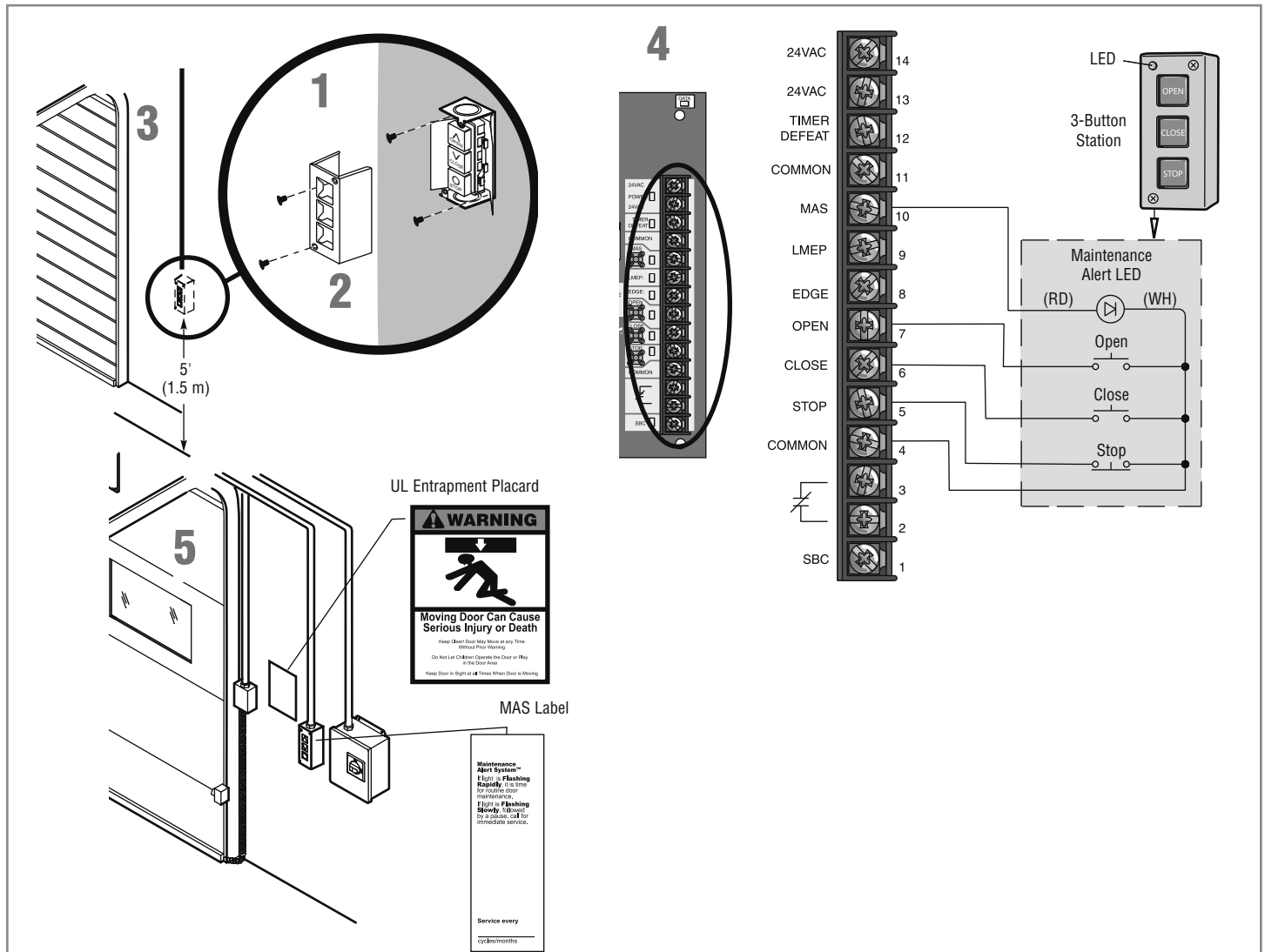
NOTE: The low voltage control circuit wiring requires insulated, 20 AWG or heavier wire. Refer to the back page of this manual for additional control wiring information.

- 1 Remove the control station cover.
- 2 Fasten the control station to the wall at least 5 feet (1.5 m) above floors, landings, steps, or any other adjacent walking surface. **The installation surface must be smooth and flat.** Attach the MAS label to the side of the control station.

- 3 Select the appropriate knockout and run the wires to the operator (in accordance with national and local electrical codes).

- 4 Connect wires to the control station and replace the control station cover.

- 5 Fasten the entrapment warning placard next to the control station.



ENTRAPMENT PROTECTION

LIFTMASTER MONITORED ENTRAPMENT PROTECTION (LMEP)

IMPORTANT INFORMATION ABOUT THE LIFTMASTER MONITORED ENTRAPMENT PROTECTION DEVICES

A LiftMaster Monitored Entrapment Protection (LMEP) Device is required for most wiring types (refer to page 28). If a LiftMaster Monitored Entrapment Protection Device is not installed, constant pressure to close will be required from the control station. Refer to Accessories section for a complete list of LMEP Devices.

WARNING

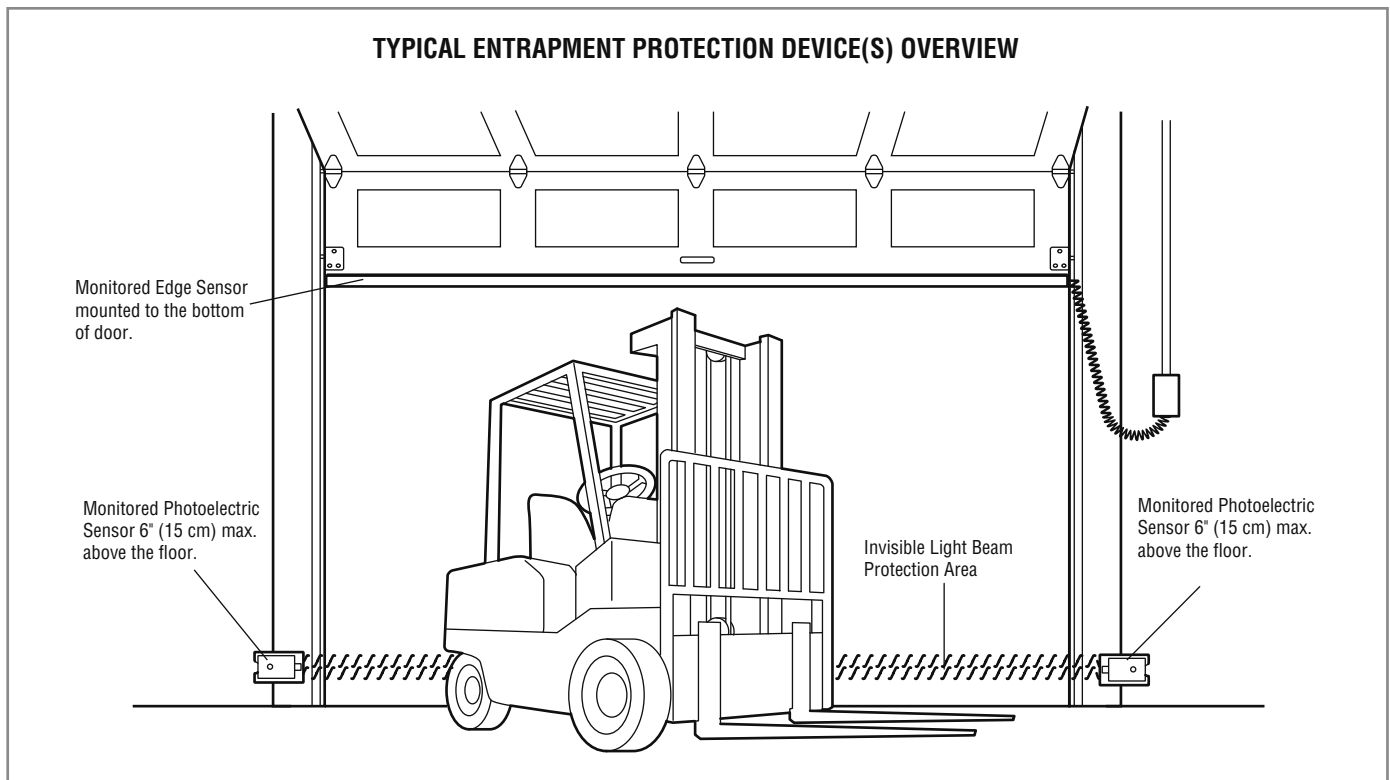
To prevent possible **SERIOUS INJURY** or **DEATH** from a closing door:

- Be sure power is **NOT** connected to the door operator **BEFORE** installing the photoelectric sensor(s).
- The door **MUST** be in the fully opened or closed position **BEFORE** installing the LiftMaster Monitored Entrapment Protection Device(s).

To prevent **SERIOUS INJURY**, **DEATH**, **ENTRAPMENT**, or **PROPERTY DAMAGE**:

- Correctly connect and align the photoelectric sensor.
- Install the primary monitored photoelectric sensor beam **NO HIGHER** than 6" (15 cm) above the floor.
- This is a required LMEP Device for B2, TS, T, and FSTS wiring types and **MUST NOT** be disabled. For D1, C2, and E2 wiring the installation of an entrapment protection device is recommended.
- LiftMaster Monitored Entrapment Protection Devices are for use with LiftMaster Commercial Door Operators **ONLY**. Use with **ANY** other product voids the warranty.
- If an edge sensor is being used on a horizontal slide door, place one or more edge sensors on both the leading and trailing edge.
- If an edge sensor is being used on a vertical moving door, place edge sensors on the bottom edge of the door.

TYPICAL ENTRAPMENT PROTECTION DEVICE(S) OVERVIEW



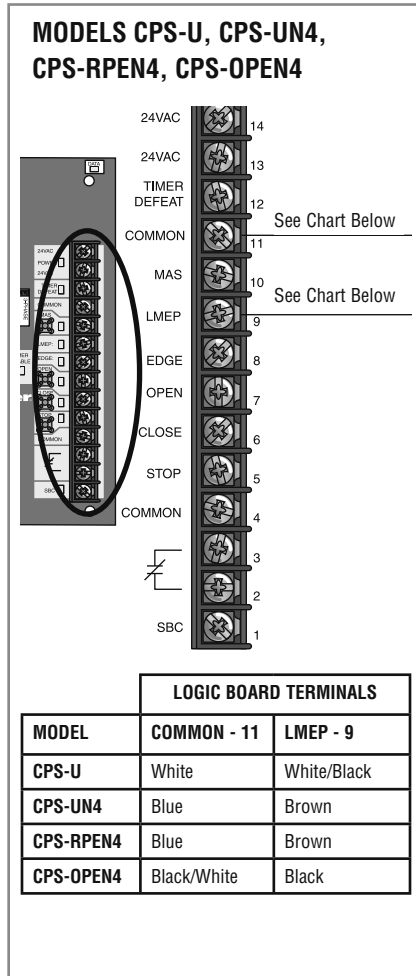
INSTALL THE LIFTMASTER MONITORED ENTRAPMENT PROTECTION (LMEP) DEVICES (OPTIONAL)

Always refer to the installation instructions included with LiftMaster Entrapment Protection (LMEP) Devices. If a LiftMaster Monitored Entrapment Protection Device is not installed, constant pressure to close will be required from the control station.

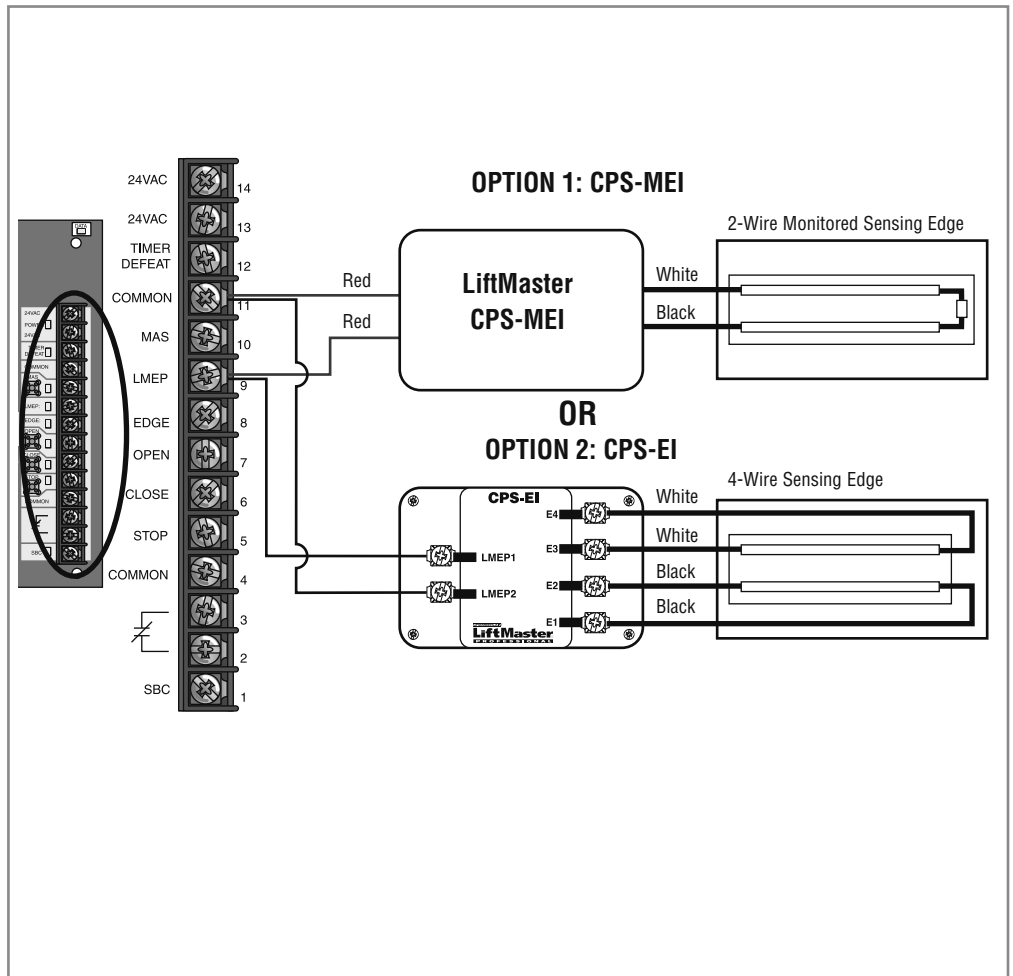
WIRE THE LIFTMASTER MONITORED ENTRAPMENT PROTECTION (LMEP) DEVICES

- 1 Connect the LiftMaster Monitored Entrapment Protection (LMEP) Device to the logic board according to the models shown in the chart below:

MONITORED PHOTOELECTRIC SENSOR



MONITORED EDGE SENSOR



NOTE: Only one LiftMaster Monitored Entrapment Protection (LMEP) Device can be connected to the logic board. To attach additional LMEPs, a CPS3CARD option card is required. Secondary (non-monitored) entrapment protection devices (with normally open dry contact) should be wired to the EDGE and COMMON terminals.

ADJUSTMENT

IMPORTANT SAFETY INSTRUCTIONS

WARNING

TO REDUCE THE RISK OF SEVERE INJURY OR DEATH:

1. READ AND FOLLOW ALL WARNINGS AND INSTRUCTIONS.
2. ALWAYS keep remote controls out of reach of children. NEVER permit children to operate or play with door control push buttons or remote controls.
3. ONLY activate a door when it can be seen clearly, it is properly adjusted and no obstructions exist in the path the door will travel.
4. Personnel should keep away from a door in motion and ALWAYS keep a door in sight until completely closed. NO ONE SHOULD CROSS THE PATH OF A MOVING DOOR.
5. NO ONE SHOULD GO UNDER A STOPPED OR PARTIALLY OPENED DOOR.
6. If possible, use the manual release handle to disengage a door ONLY when a door is CLOSED. Weak or broken springs or an unbalanced door could result in an open door falling rapidly and/or unexpectedly causing SEVERE INJURY or DEATH.
7. NEVER use manual release handle unless the doorway is clear of persons and obstructions.
8. After ANY adjustments are made, the entrapment protection device(s) MUST be tested. Failure to adjust the operator properly may cause SEVERE INJURY and DEATH.
9. Entrapment protection device(s) MUST be tested every month. Failure to adjust the operator properly may cause SEVERE INJURY and DEATH.
10. ALWAYS KEEP DOOR PROPERLY BALANCED. An improperly balanced door may NOT reverse when required and could result in SEVERE INJURY or DEATH. See the door manufacturer's owners manual.
11. ALL repairs to cables, spring assemblies and other hardware, ALL of which are under EXTREME tension, MUST be made by an Authorized Service Technician.
12. ALWAYS disconnect electric power to the door operator BEFORE making ANY repairs or removing covers.
13. **SAVE THESE INSTRUCTIONS.**

LIMIT ADJUSTMENT

- 1 Begin with the door in the fully closed position to set the CLOSE limit.
- 2 Depress the retaining plate (1) and move the limit nut to the CLOSE limits (2).

NOTE: The Close Limit Switch (CLS) and Sensing Limit Switch (SLS) LEDs on the logic board will illuminate when the switches are activated and the power is on.

- 3 When the retaining plate is released, verify the retaining plate is fully seated with the notches of the limit nuts.
- 4 Open the door to the fully open position and set the OPEN limit (3).

NOTE: The Open Limit Switch (OLS) LED on the logic board will illuminate when the switches are activated and the power is on.

- 5 When the retaining plate is released, verify the retaining plate is fully seated with the notches of the limit nuts.

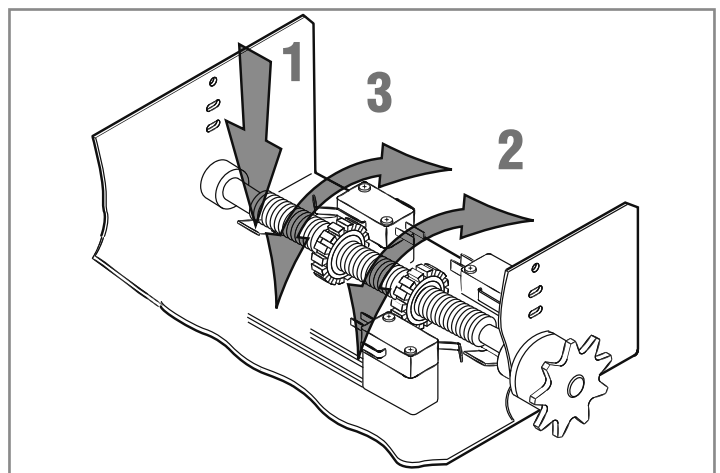
NOTE: In some installations, such as a through-wall-installation, the rotation of the motor and logic board may have to be changed.

1. Locate the MOTOR DIRECTION jumper on the logic board. Remove jumper and relocate from STD to REV.
2. Relocate the sensing limit switch (SLS) to the opposite side.
3. Remove the CLOSE/OPEN decal and reattach appropriately.

WARNING

To avoid SERIOUS personal INJURY or DEATH from electrocution:

- Disconnect electric power BEFORE performing ANY adjustments or maintenance.
- ALL maintenance MUST be performed by an Authorized Service Technician



CLUTCH ADJUSTMENT (BELT DRIVE MODEL OPERATORS)

The Clutch System is designed to protect the door and motorized operator. It is NOT a substitute for an entrapment protection device.

- 1 Remove the cotter pin from the clutch nut on the clutch shaft.
- 2 Turn the clutch nut to release tension.
- 3 Re-tighten the clutch nut until there is just enough tension to permit smooth operation of the door and to allow the clutch to slip if the door is obstructed.
- 4 Secure the clutch nut with the cotter pin.

ADJUST TORQUE LIMITER CLUTCH (MODEL GT ONLY)

- 1 Loosen the set screws of the torque adjustment nut on the gear reducer.
- 2 Back off the torque nut until there is very little tension on the belleville washers.
- 3 Tighten torque nut gradually until there is just enough tension to permit the operator to move the door smoothly through a complete open/close cycle, but to allow the reducer to slip if the door is obstructed.
- 4 Re-tighten the set screw directly over the flat portion of the shaft.

MODEL GH (OPTIONAL MODIFICATION)

- 1 Loosen the set screws on the clutch nut.
- 2 Back off the clutch nut until there is very little tension on the clutch spring.
- 3 Tighten the clutch nut gradually until there is just enough tension to permit the operator to move the door smoothly but allow the clutch to slip if the door is obstructed. When the clutch is properly adjusted, it should generally be possible to stop the door by hand during travel.

AUXILIARY REVERSAL SYSTEM / RPM SENSOR

The **Auxiliary Reversal System** is designed to protect the door and motorized operator. It is NOT a substitute for an entrapment protection device.

Feature: This feature utilizes the RPM sensor connected to the logic board to detect when the clutch slips and reverses the door (clutch must be properly adjusted). In addition, the RPM eliminates the need for a centrifugal switch on single phase motors.

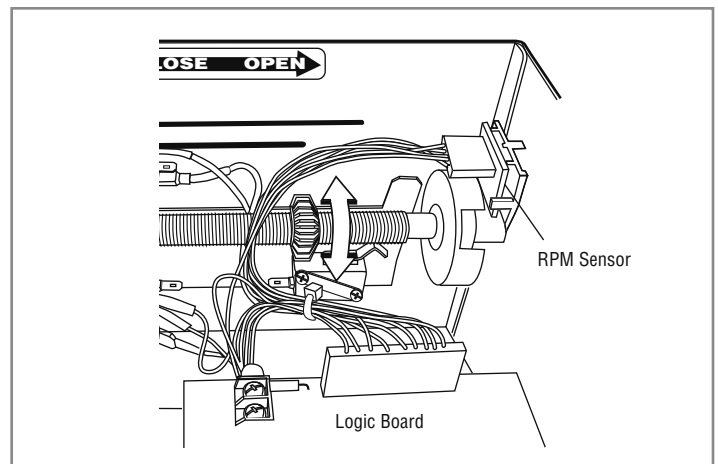
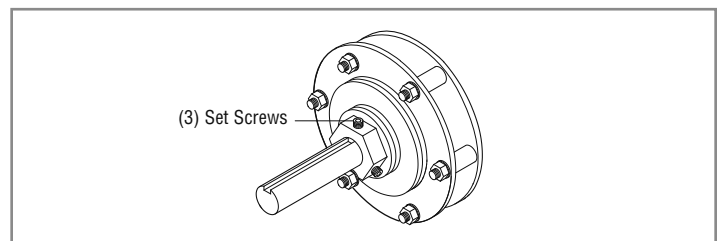
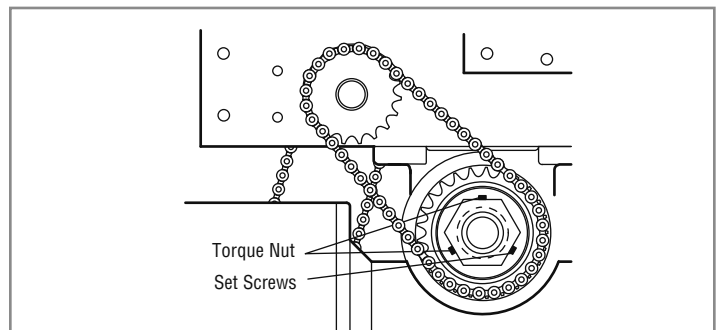
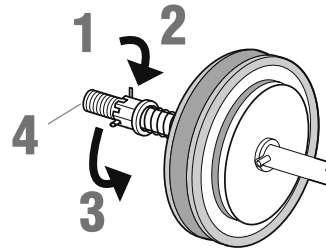
Benefit: The Auxiliary Reversal System reverses the operator upon hitting an obstruction, preventing excessive door and operator damage. (The Auxiliary Reversal System is not applicable on GH models unless the clutch modification is installed.)

NOTE: This feature is automatically learned and does not require programming.

⚠️ ⚡ WARNING

To avoid SERIOUS personal INJURY or DEATH from electrocution:

- Disconnect electric power BEFORE performing ANY adjustments or maintenance.
- ALL maintenance MUST be performed by an Authorized Service Technician.



TESTING

When testing the operator, the operator should be set to C2 wiring type (factory default).

Apply power to the operator.

When power is applied to the operator, all the LEDs will illuminate with the exception of SBC, relay A, relay B, and the Timer Defeat. Once the power up process is completed (approximately 2-3 seconds) only the appropriate LED's will continue to be lit:

- Between limits: 24Vac and STOP
- Fully closed position: 24Vac, STOP, CLS and SLS
- Fully opened position: 24Vac, STOP and OLS

Additional LED's will light when device(s) are activated.

NOTE: When the power up process is completed, the MAS LED will blink a code indicating the version of firmware. If the selector dial is in the DIAG, OPTN, or PROG position, the MAS will not provide this code. After the code has been provided the MAS LED will go out.

TEST PHOTOELECTRIC SENSORS (IF APPLICABLE)

- 1 Open the door.
- 2 Place an obstruction in the path of the photoelectric sensors. The LMEP LED will blink on the logic board.
- 3 Press and hold the CLOSE button. The door should not close.
- 4 Remove the obstruction.
- 5 Press and hold the CLOSE button. Door should close.
*If the LMEP is activated while closing, the door should reverse.

TEST EDGE SENSORS (IF APPLICABLE)

- 1 Open the door.
- 2 Place an obstruction in the path of the door.
- 3 Press and release the CLOSE button. The door should stop and/or reverse.
- 4 Remove the obstruction. Press and release the CLOSE button. The door should fully close.

NOTE: The Logic 5.0 logic board will automatically learn the LMEP Device once it is properly connected. If the LMEP Device is misaligned, activated, or disconnected the LMEP LED on the logic board will blink on and off. You can close the door by entering the Restricted Close (RC) mode by holding the close button. The operator will begin closing after 5 seconds and will continue to close to the Close Limit or when the close button is released.

To unlearn the LMEP Device, turn the selector dial to DIAG, push and hold the stop button until the MAS LED flashes. Without the LMEP Device connected the only mode of operation will be B2, D1 or E2. To Erase the LiftMaster Entrapment Protection (LMEP) Device, turn the selector dial to DIAG, push and hold the stop button until the MAS LED flashes. If an LMEP is not connected, the only mode of operation is C2, D1, or E2.

WARNING

To avoid SERIOUS personal INJURY or DEATH:

- Disconnect electric power BEFORE performing ANY adjustments or maintenance.
- ALL maintenance MUST be performed by an Authorized Service Technician.

TEST 3-BUTTON CONTROL STATION

- 1 Press OPEN button. (The door should move in the open direction.)
- 2 Press STOP button. (The door should stop.)
- 3 Press and hold the CLOSE button. (The door should move in the close direction.)
- 4 Release CLOSE button. Door should stop if in C2 or D1 mode. Door will reverse to full open position in E2 mode. The door should continue closing in all other modes
- 5 Press STOP button. (The door should stop.)

TEST LIMIT ADJUSTMENT

- 1 Press OPEN button. (The door should open.)
- 2 Allow the door to fully open.
- 3 Press and hold the CLOSE button. (The door should close.)
- 4 Allow the door to fully close.
- 5 If the limits are not set properly, remove power and adjust limits (refer to Limit Adjustment section).

NOTE: Door travel should stop when the OPEN or CLOSE limits are activated. If door drifting is occurring, spring tension on the door will have to be checked, or a brake may be added to the operator. (Note - For Logic 5.0, brake is standard on all models larger than 1/2HP. Brake can be field-installed for 1/3 and 1/2 HP T, H, J, DJ, HJ and DHJ).

IMPORTANT NOTES:

- Be sure you have read and understand all safety instructions included in this manual.
- Be sure the owner or person(s) responsible for operation of the door have read and understand the safety instructions, know how to electrically operate the door in a safe manner and how to manually disconnect the door from the operator.

MANUAL RELEASE

EMERGENCY DISCONNECT SYSTEM MODELS GT AND T

TO DISCONNECT DOOR FROM OPERATOR

The door should be in the fully closed position if possible.

- 1 Pull emergency release handle straight down. Emergency disconnect will open.

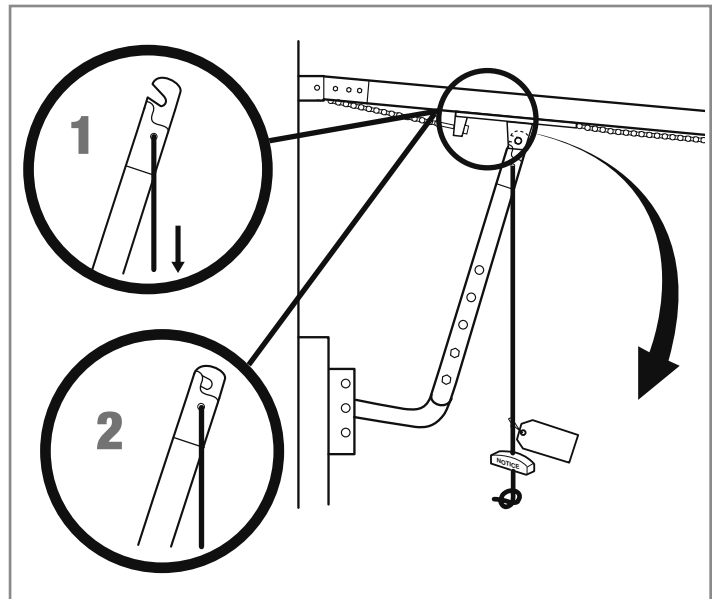
TO RECONNECT DOOR ARM TO TROLLEY

- 2 Lift free end of door arm to trolley. Pull emergency release handle to allow arm to engage roll pin. Release handle. Emergency disconnect will close.

! WARNING

To prevent possible **SERIOUS INJURY** or **DEATH** from a falling door or arm:

- **DISCONNECT** electric power to the operator **BEFORE** manually operating your door.
- **DO NOT** stand under the door arm when pulling the emergency release.
- If possible, use emergency release handle to disengage trolley **ONLY** when door is **CLOSED**. Weak or broken springs or unbalanced door could result in an open door falling rapidly and/or unexpectedly.
- **NEVER** use emergency release handle unless doorway is clear of persons and obstructions.



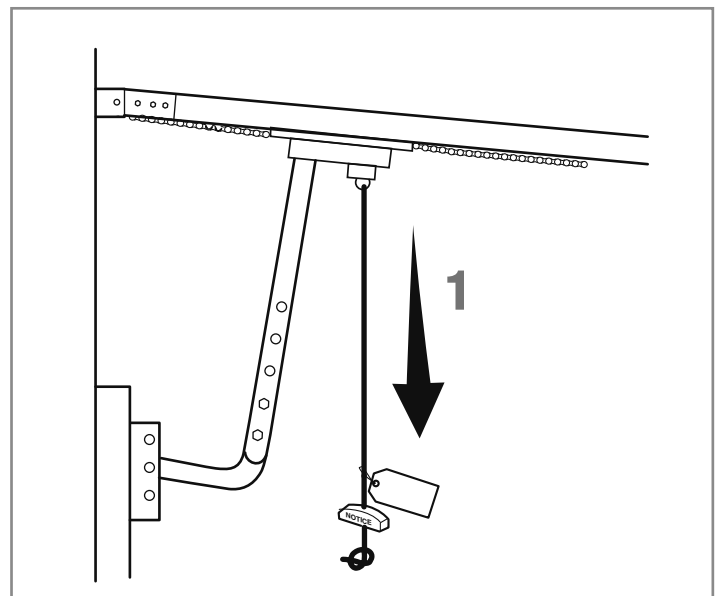
EMERGENCY DISCONNECT SYSTEM MODEL APT

TO DISCONNECT DOOR FROM OPERATOR

- 1 The door should be in the fully closed position if possible. Pull down on the emergency release handle and raise or lower the door manually.

TO RECONNECT DOOR ARM TO TROLLEY

- 2 The trolley will reconnect on the next UP or DOWN operation, either manually or by using the door control or remote.



EMERGENCY DISCONNECT SYSTEM MODELS H, GH, J, AND HJ

These operators have provisions for manually operating the door in case of emergency or power failure. Refer to the appropriate instructions below for the correct operator model.

MODELS H AND GH

These operators are equipped with a manual hoist. An electrical interlock will disable the electrical controls when the hoist is used. To operate the hoist:

- 1** Pull the disconnect chain (sash chain) to engage the hoist mechanism. The disconnect chain may be locked in position by slipping the end through the keyhole of the chain keeper mounted on the wall.
- 2** Operate the door in the desired direction by pulling on one side or the other of the continuous loop hoist chain.
- 3** The disconnect chain must be released from the chain keeper before the door will operate again electrically.

MODEL J

This operator has a floor level disconnect chain to disconnect the door from the door operator.

- 1** To disengage, pull the disconnect chain (sash chain) and secure in the disengaged position by slipping the end through the keyhole bracket mounted on the wall.
- 2** The door may now be pushed up or pulled down manually.
- 3** Release the disconnect chain to operate the door again electrically.

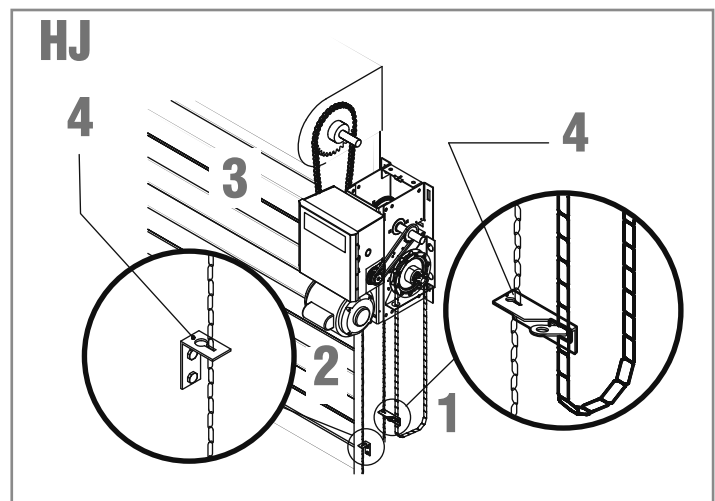
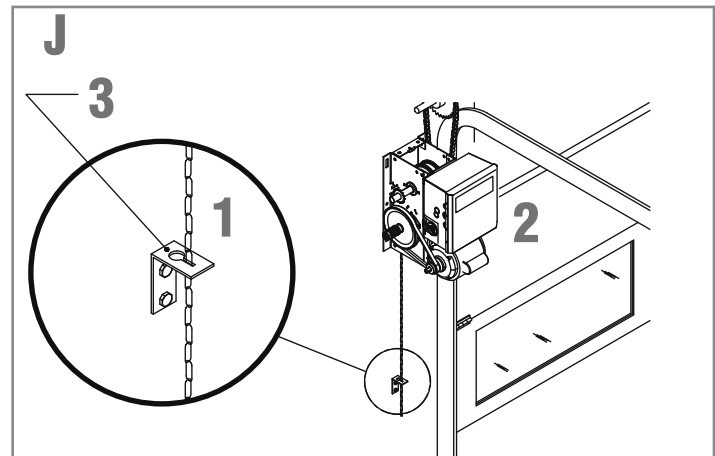
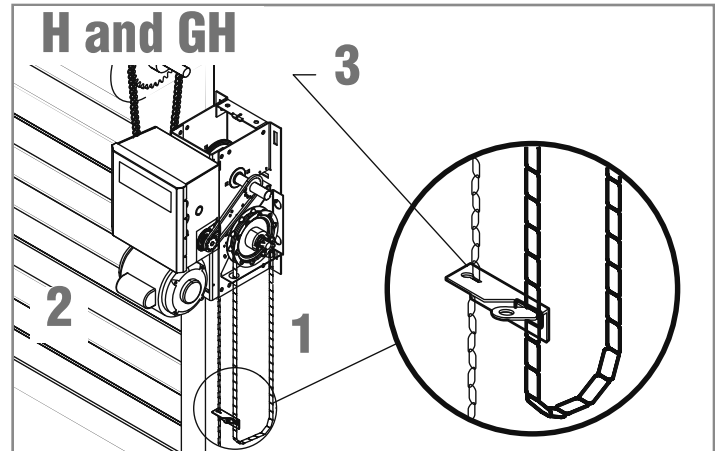
MODEL HJ

This operator includes both a floor level disconnect chain (sash chain) to disconnect the door from the door operator and a disconnect chain with manual hoist to electrically disable the operator controls.

- 1** Pull the disconnect chain to engage the hoist mechanism. The disconnect chain may be locked in position by slipping the end through the keyhole of the chain keeper mounted on the wall.
- 2** To disengage, pull the disconnect chain and secure in the disengaged position by slipping the end through the keyhole bracket mounted on the wall.
- 3** Operate the door in the desired direction by pulling on one side or the other of the continuous loop hoist chain.
- 4** Release the disconnect chain to operate the door again electrically.

WARNING

- To prevent possible **SERIOUS INJURY** from a moving chain:
- **DISCONNECT** electric power to the operator **BEFORE** manually operating your door.
 - If possible, use emergency disconnect **ONLY** when door is **CLOSED**. Weak or broken springs or unbalanced door could result in an open door falling rapidly and/or unexpectedly.
 - **NEVER** use emergency disconnect unless doorway is clear of persons and obstructions.



PROGRAMMING

INTRODUCTION TO PROGRAMMING

Many programmable functions require that a LiftMaster Entrapment Protection (LMEP) Device be installed in order to function. Refer to the *Entrapment Protection* section.

Before programming the logic board, set the operator's open and close limits. The LEDs on the logic board are provided to assist setting the limits. Refer to page 22 for limit switch adjustment instructions.

Apply power to the operator.

When power is applied to the operator, all the LEDs will illuminate with the exception of SBC, relay A, relay B, and the Timer Defeat.

Once the power up process is completed (approximately 2-3 seconds) only the appropriate LED's will continue to be lit:

Between limits: 24Vac and STOP

Fully closed position: 24Vac, STOP, CLS and SLS

Fully opened position: 24Vac, STOP and OLS

Additional LED's will light when device(s) are activated.

NOTE: When the power up process is completed, the MAS LED will blink a code indicating the version of firmware. If the selector dial is in the DIAG, OPTN, or PROG position, the MAS will not provide this code. After the code has been provided the MAS LED will go out.

LOGIC BOARD PUSH BUTTONS (OPEN, CLOSE, STOP)

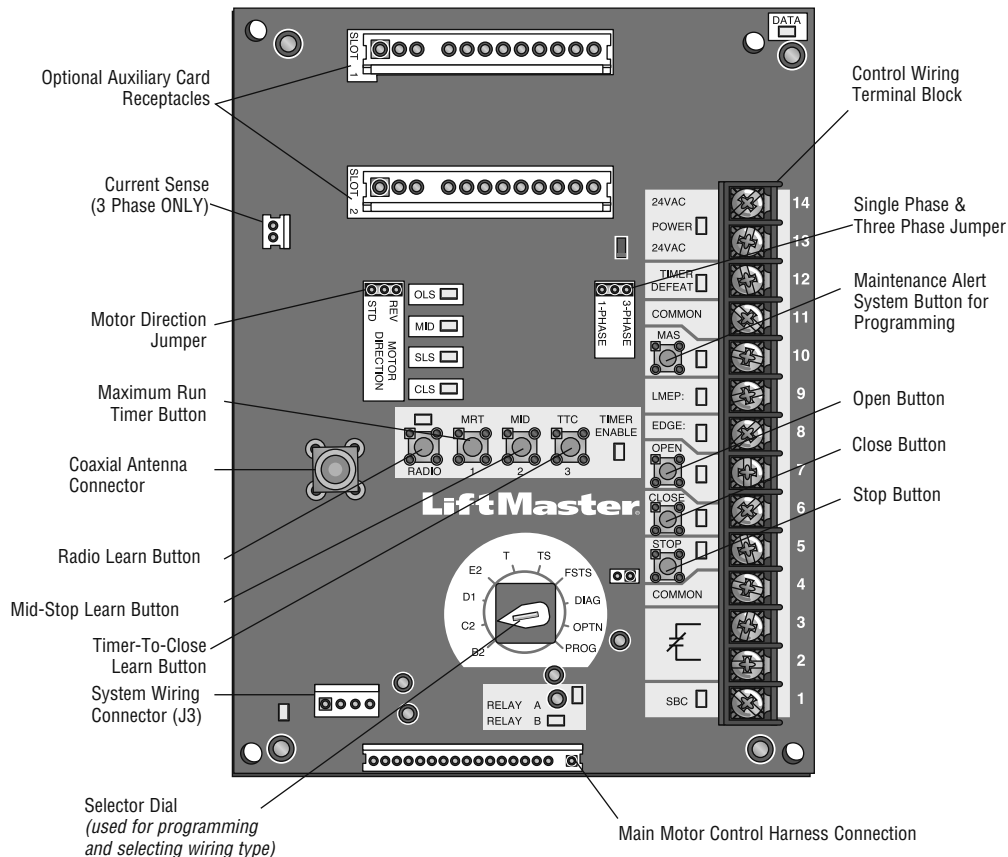
Open, Close and Stop buttons are mounted directly on the logic board. Thus, making it easy to program as well as have door control at the electrical box.

Either the stop control or a jumper MUST be wired between terminals 4 and 5 for the on board push buttons to function.

CURRENT SENSING TECHNOLOGY

LOGIC 5.0 3-Phase Operators now include Current Sensing Technology. The Current Sense Harness is required for operating LiftMaster Commercial Door Operators that offer this feature. The Current Sense Feature measures overcurrent and limits operation under high-current conditions and sends a Diagnostic Error Code of 12 LED blinks. See Troubleshooting Error Codes section for more information.

LOGIC BOARD OVERVIEW



DETERMINE AND SET WIRING TYPE

Read the descriptions of the different wiring types to determine which setting will be correct for each application. Once the wiring type is determined, set the selector dial accordingly.

WIRING TYPE	DEVICE	ACTION	STATE	RESPONSE	
C2	3-Button Control Station	OPEN button is pressed momentarily:	Operator at OPEN limit	No change in state	
			Operator at CLOSE limit	Door opens to closest OPEN limit or Mid-Stop	
			Door opening	No change in state	
			Door closing	Door will auto reverse to OPEN limit	
			Door at Open Mid-Stop	Door opens to the OPEN limit	
			Door stopped during open or close cycle	Door opens to closest OPEN limit or Mid-Stop	
		CLOSE button is pressed momentarily:	Operator at OPEN limit	Door closes and stops when button is released	
			Operator at CLOSE limit	No change in state	
			Door opening	No change in state	
			Door closing	No change in state	
			Door at Open Mid-Stop	Door closes and stops when button is released	
			Door stopped during open or close cycle	Door closes and stops when button is released	
		STOP button is pressed momentarily:	Operator at OPEN limit	No change in state	
			Operator at CLOSE limit	No change in state	
			Door opening	Door stops	
			Door closing	Door stops	
			Door at Open Mid-Stop	No change in state	
			Door stopped during open or close cycle	No change in state	
		OPEN button is held (constant pressure):	Operator at OPEN limit	No change in state	
			Operator at CLOSE limit	Door opens to closest OPEN limit or Mid-Stop	
			Door opening	No change in state	
			Door closing	Door will auto reverse to OPEN limit	
			Door at Open Mid-Stop	Door opens to the OPEN limit	
			Door stopped during open or close cycle	Door opens to the OPEN limit (bypasses Mid-Stop)	
	CLOSE button is held (constant pressure):	Operator at OPEN limit	Door closes to closest CLOSE limit or Mid-Stop		
		Operator at CLOSE limit	No change in state		
		Door opening	No change in state		
		Door closing	No change in state		
		Door at Open Mid-Stop	Door closes to the CLOSE limit		
		Door stopped during open or close cycle	Door opens to closest OPEN limit or Mid-Stop		
	Momentary contact to open and stop with constant pressure to close, open override plus wiring for sensing device to reverse. Programmable Mid-Stop available with this wiring-type. Compatible with 3-Button Station and 1-Button Station	3-Button Remote Control Programmed as OPEN/CLOSE/STOP	OPEN button is pressed momentarily:	Operator at OPEN limit	No change in state
				Operator at CLOSE limit	Door opens to closest OPEN limit or Mid-Stop
				Door opening	No change in state
				Door closing	Door will auto reverse to OPEN limit
				Door at Open Mid-Stop	Door opens to the OPEN limit
				Door stopped during open or close cycle	Door opens to closest OPEN limit or Mid-Stop
			CLOSE button is pressed momentarily:	Operator at OPEN limit	Door closes to closest CLOSE limit or Mid-Stop
				Operator at CLOSE limit	No change in state
				Door opening	No change in state
				Door closing	No change in state
				Door at Open Mid-Stop	Door closes to the CLOSE limit
				Door stopped during open or close cycle	Door closes and stops when button is released
		STOP button is pressed momentarily:	Operator at OPEN limit	No change in state	
			Operator at CLOSE limit	No change in state	
			Door opening	Door stops	
			Door closing	Door stops	
			Door at Open Mid-Stop	No change in state	
			Door stopped during open or close cycle	No change in state	
		Single Button Remote Control	Button is pressed momentarily:	Operator at OPEN limit	Door closes and stops when button is released
				Operator at CLOSE limit	Door opens to closest OPEN limit or Mid-Stop
				Door opening	Door stops
				Door closing	No change in state
Door at Open Mid-Stop				Door opens to the OPEN limit	
Single Button Control Station (Wired)		Button is pressed:	Operator at OPEN limit	Door closes and stops when button is released	
	Operator at CLOSE limit		Door opens to closest OPEN limit or Mid-Stop		
	Door opening		Door Stops		
	Door closing		Door will auto reverse to OPEN limit		
	Door at Open Mid-Stop		Door opens to the OPEN limit		
myQ	Door image is pressed:	Operator at OPEN limit	Door closes to the CLOSE limit		
		Operator at CLOSE limit	Door opens to closest OPEN limit or Mid-Stop		
		Door opening	No change in state		
		Door closing	No change in state		
		Door at Open Mid-Stop	Door closes to the CLOSE limit		
		Door stopped during open or close cycle	Door closes to the CLOSE limit		

DETERMINE AND SET WIRING TYPE (CONTINUED)

WIRING TYPE	DEVICE	ACTION	STATE	RESPONSE
B2	3-Button Control Station	OPEN button is pressed momentarily:	Operator at OPEN limit	No change in state
			Operator at CLOSE limit	Door opens to closest OPEN limit or Mid-Stop
			Door opening	No change in state
			Door closing	Door will auto reverse to OPEN limit
			Door at Open Mid-Stop	Door opens to the OPEN limit
			Door stopped during open or close cycle	Door opens to the OPEN limit
		CLOSE button is pressed momentarily:	Operator at OPEN limit	Door closes to the CLOSE limit
			Operator at CLOSE limit	No change in state
			Door opening	No change in state
			Door closing	No change in state
			Door at Open Mid-Stop	Door closes to the CLOSE limit
			Door stopped during open or close cycle	Door closes to the CLOSE limit
		STOP button is pressed momentarily:	Operator at OPEN limit	No change in state
			Operator at CLOSE limit	No change in state
			Door opening	Door stops
			Door closing	Door stops
			Door at Open Mid-Stop	No change in state
			Door stopped during open or close cycle	No change in state
		OPEN button is held (constant pressure):	Operator at OPEN limit	No change in state
			Operator at CLOSE limit	Door opens to closest OPEN limit or Mid-Stop
			Door opening	No change in state
			Door closing	Door will auto reverse to OPEN limit
			Door at Open Mid-Stop	Door opens to the OPEN limit
			Door stopped during open or close cycle	Door opens to the OPEN limit
	CLOSE button is held (constant pressure):	Operator at OPEN limit	Door closes to the CLOSE limit	
		Operator at CLOSE limit	No change in state	
		Door opening	No change in state	
		Door closing	No change in state	
		Door at Open Mid-Stop	Door closes to the CLOSE limit	
		Door stopped during open or close cycle	Door closes to the CLOSE limit	
	3-Button Remote Control Programmed as OPEN/CLOSE/STOP	OPEN button is pressed momentarily:	Operator at OPEN limit	No change in state
			Operator at CLOSE limit	Door opens to closest OPEN limit or Mid-Stop
			Door opening	No change in state
			Door closing	Door will auto reverse to OPEN limit
			Door at Open Mid-Stop	Door opens to the OPEN limit
			Door stopped during open or close cycle	Door opens to the OPEN limit
		CLOSE button is pressed momentarily:	Operator at OPEN limit	Door closes to the CLOSE limit
			Operator at CLOSE limit	No change in state
			Door opening	No change in state
			Door closing	No change in state
			Door at Open Mid-Stop	Door closes to the CLOSE limit
			Door stopped during open or close cycle	Door closes to the CLOSE limit
		STOP button is pressed momentarily:	Operator at OPEN limit	No change in state
			Operator at CLOSE limit	No change in state
			Door opening	Door stops
			Door closing	Door stops
			Door at Open Mid-Stop	No change in state
			Door stopped during open or close cycle	No change in state
	Single Button Remote Control	Button is pressed:	Operator at OPEN limit	Door closes to the CLOSE limit
			Operator at CLOSE limit	Door opens to closest OPEN limit or Mid-Stop
			Door opening	Door stops
			Door closing	Door will auto reverse to OPEN limit
Door at Open Mid-Stop			Door opens to the OPEN limit	
Door stopped during open or close cycle			Door opens to the OPEN limit	
Single Button Control Station (Wired)	Button is pressed:	Operator at OPEN limit	Door closes to the CLOSE limit	
		Operator at CLOSE limit	Door opens to closest OPEN limit or Mid-Stop	
		Door opening	Door stops	
		Door closing	Door will auto reverse to OPEN limit	
		Door at Open Mid-Stop	Door opens to the OPEN limit	
		Door stopped during the open cycle	Door closes to the CLOSE limit	
myQ	Door image is pressed:	Operator at OPEN limit	Door closes to the CLOSE limit	
		Operator at CLOSE limit	Door opens to closest OPEN limit or Mid-Stop	
		Door opening	No change in state	
		Door closing	No change in state	
		Door at Open Mid-Stop	Door closes to the CLOSE limit	
		Door stopped during open or close cycle	Door closes to the CLOSE limit	

Momentary contact to open, close and stop, plus wiring for sensing device to reverse and auxiliary devices to open and close with open override. Programmable mid stop available with this wiring type. Compatible with 3-Button Station, 1-Button Station, 1 and 3-Button Remote Control.

LiftMaster Monitored Entrapment Protection (LMEP) Device required.

DETERMINE AND SET WIRING TYPE (CONTINUED)

WIRING TYPE	DEVICE	ACTION	STATE	RESPONSE
<p>FSTS</p> <p>Momentary button contact for open, close and stop programming. User set mid stop. User set Timer-To-Close. The single button station opens the door to the full open limit bypassing the mid stop and activates the Timer-To-Close, putting the operator in TS mode until the door reaches the down limit, or is stopped in travel. At which time the operator enters the B2 mode. Compatible with 3-Button Station, 1-Button Station, 1 and 3-Button Remote Control. A 1-Button remote control in FSTS mode will open only with the Timer-To-Close, bypassing a programmed mid stop. The Timer To-Close will reset and reverse when closing.</p> <p>LiftMaster Monitored Entrapment Protection (LMEP) Device required.</p>	<p>3-Button Control Station</p>	<p>OPEN button is pressed momentarily</p>	Operator at OPEN limit	No change in state
			Operator at CLOSE limit	Door opens to closest OPEN limit or Mid-Stop
			Door opening	No change in state
			Door closing	No change in state
			Door at Open Mid-Stop	Door opens to the OPEN limit
		Door stopped during open or close cycle	Door opens to closest OPEN limit or Mid-Stop	
		<p>CLOSE button is pressed momentarily</p>	Operator at OPEN limit	Door closes to CLOSE limit
			Operator at CLOSE limit	No change in state
			Door opening	No change in state
			Door closing	No change in state
			Door at Open Mid-Stop	Door closes to the CLOSE limit
		Door stopped during open or close cycle	Door closes to the CLOSE limit	
		<p>STOP button is pressed momentarily</p>	Operator at OPEN limit	No change in state
			Operator at CLOSE limit	No change in state
			Door opening	Door stops
			Door closing	Door stops
			Door at Open Mid-Stop	No change in state
		Door stopped during open or close cycle	No change in state	
		<p>OPEN button is held (constant pressure)</p>	Operator at OPEN limit	No change in state
			Operator at CLOSE limit	Door opens to closest OPEN limit or Mid-Stop
	Door opening		No change in state	
	Door closing		No change in state	
	Door at Open Mid-Stop		Door opens to the OPEN limit	
	Door stopped during open or close cycle	Door opens to closest OPEN limit or Mid-Stop		
	<p>CLOSE button is held (constant pressure)</p>	Operator at OPEN limit	Door closes to the CLOSE limit	
		Operator at CLOSE limit	No change in state	
		Door opening	No change in state	
		Door closing	No change in state	
		Door at Open Mid-Stop	Door closes to the CLOSE limit	
	Door stopped during open or close cycle	Door closes to the CLOSE limit		
	<p>3-Button Remote Control Programmed as OPEN/CLOSE/STOP</p>	<p>OPEN button is pressed momentarily</p>	Operator at OPEN limit	No change in state
			Operator at CLOSE limit	Door opens to closest OPEN limit or Mid-Stop
			Door opening	No change in state
			Door closing	No change in state
			Door at Open Mid-Stop	Door opens to the OPEN limit
		Door stopped during open or close cycle	Door opens to closest OPEN limit or Mid-Stop	
		<p>CLOSE button is pressed momentarily</p>	Operator at OPEN limit	Door closes to the CLOSE limit
			Operator at CLOSE limit	No change in state
			Door opening	No change in state
			Door closing	No change in state
			Door at Open Mid-Stop	Door closes to the CLOSE limit
		Door stopped during open or close cycle	Door closes to the CLOSE limit	
	<p>STOP button is pressed momentarily</p>	Operator at OPEN limit	No change in state	
		Operator at CLOSE limit	No change in state	
		Door opening	Door stops	
		Door closing	Door stops	
	Door at Open Mid-Stop	No change in state		
	Door stopped during open or close cycle	No change in state		
	<p>Single Button Remote Control</p>	<p>Button is pressed</p>	Operator at OPEN limit	No change in state
			Operator at CLOSE limit	Door opens to the OPEN limit
			Door opening	No change in state
			Door closing	Door will auto reverse to OPEN limit
			Door at Open Mid-Stop	Door opens to closest OPEN limit
	Door stopped during open or close cycle	Door opens to closest OPEN limit or Mid-Stop		
	<p>Single Button Control Station (Wired)</p>	<p>Button is pressed:</p>	Operator at OPEN limit	No change in state
			Operator at CLOSE limit	Door opens to the OPEN limit
			Door opening	No change in state
			Door closing	Door will auto reverse to OPEN limit
			Door at Open Mid-Stop	Door opens to the OPEN limit
			Door stopped during the open cycle	Door opens to the OPEN limit
	Door stopped during the close cycle	Door opens to the OPEN limit		
	<p>myQ</p>	<p>Door image is pressed:</p>	Operator at OPEN limit	Door closes to the CLOSE limit
			Operator at CLOSE limit	Door opens to closest OPEN limit or Mid-Stop
			Door opening	No change in state
			Door closing	No change in state
			Door at Open Mid-Stop	Door closes to the CLOSE limit
	Door stopped during open or close cycle	Door closes to the CLOSE limit		

DETERMINE AND SET WIRING TYPE (CONTINUED)

WIRING TYPE	DEVICE	ACTION	STATE	RESPONSE	
<p>T</p> <p>Momentary contact to open, close, and stop, with open override and Timer-To-Close. Every device that causes the door to open, except any sensing edge input device, activates the Timer-To-Close. Auxiliary controls can be connected to open input to activate the Timer-To-Close. If the Timer-To-Close has been activated, the open button and radio control can recycle the timer. The stop button will deactivate the timer until the next command input. The Timer-To-Close will function from the programmable Mid-Stop with this wiring type. Compatible with 3-Button Station, 1-Button Station and 1 and 3-Button Remote Control.</p> <p>LiftMaster Monitored Entrapment Protection (LMEP) Device required.</p>	<p>3-Button Control Station</p>	<p>OPEN button is pressed momentarily</p>	Operator at OPEN limit	No change in state	
			Operator at CLOSE limit	Door opens to closest OPEN limit or Mid-Stop	
			Door opening	No change in state	
			Door closing	Door will auto reverse to OPEN limit	
			Door at Open Mid-Stop	Door opens to the OPEN limit	
		Door stopped during open or close cycle	Door opens to the OPEN limit		
		<p>CLOSE button is pressed momentarily</p>	Operator at OPEN limit	Door closes to the CLOSE limit	
			Operator at CLOSE limit	No change in state	
			Door opening	No change in state	
			Door closing	No change in state	
			Door at Open Mid-Stop	Door closes to the CLOSE limit	
		<p>Door stopped during open or close cycle</p>	Door closes to the CLOSE limit		
			<p>STOP button is pressed momentarily</p>	Operator at OPEN limit	No change in state
				Operator at CLOSE limit	No change in state
				Door opening	Door stops
				Door closing	Door stops
		Door at Open Mid-Stop		No change in state	
		<p>Door stopped during open or close cycle</p>	No change in state		
			<p>OPEN button is held (constant pressure)</p>	Operator at OPEN limit	No change in state
				Operator at CLOSE limit	Door opens to the OPEN limit
	Door opening			No change in state	
	Door closing			Door will auto reverse to OPEN limit	
	Door at Open Mid-Stop	Door opens to the OPEN limit			
	<p>Door stopped during open or close cycle</p>	Door opens to the OPEN limit			
		<p>CLOSE button is held (constant pressure)</p>	Operator at OPEN limit	Door closes to the CLOSE limit	
			Operator at CLOSE limit	No change in state	
			Door opening	No change in state	
			Door closing	No change in state	
	Door at Open Mid-Stop		Door closes to the CLOSE limit		
	<p>Door stopped during open or close cycle</p>	Door closes to the CLOSE limit			
		<p>OPEN button is pressed momentarily</p>	Operator at OPEN limit	No change in state	
			Operator at CLOSE limit	Door opens to closest OPEN limit or Mid-Stop	
			Door opening	No change in state	
			Door closing	Door will auto reverse to OPEN limit	
	Door at Open Mid-Stop		Door opens to the OPEN limit		
	<p>Door stopped during open or close cycle</p>	Door opens to the OPEN limit			
		<p>CLOSE button is pressed momentarily</p>	Operator at OPEN limit	Door closes to the CLOSE limit	
			Operator at CLOSE limit	No change in state	
			Door opening	No change in state	
			Door closing	No change in state	
	Door at Open Mid-Stop		Door closes to the CLOSE limit		
	<p>Door stopped during open or close cycle</p>	Door closes to the CLOSE limit			
		<p>STOP button is pressed momentarily</p>	Operator at OPEN limit	No change in state	
			Operator at CLOSE limit	No change in state	
			Door opening	Door stops	
			Door closing	Door stops	
	Door at Open Mid-Stop		No change in state		
	<p>Door stopped during open or close cycle</p>	No change in state			
		<p>Button is pressed</p>	Operator at OPEN limit	No change in state	
			Operator at CLOSE limit	Door opens to the OPEN limit	
			Door opening	No change in state	
			Door closing	Door will auto reverse to OPEN limit	
	Door at Open Mid-Stop		No change in state		
	<p>Door stopped during open or close cycle</p>	Door opens to closest OPEN limit or Mid-Stop			
		<p>Button is pressed:</p>	Operator at OPEN limit	No change in state	
			Operator at CLOSE limit	Door opens to closest OPEN limit or Mid-Stop	
			Door opening	No change in state	
			Door closing	Door will auto reverse to OPEN limit	
	Door at Open Mid-Stop		No change in state		
	<p>Door stopped during the open cycle</p>	Door opens to closest OPEN limit or Mid-Stop			
		<p>Door stopped during the close cycle</p>	Door opens to closest OPEN limit or Mid-Stop		
			<p>Door image is pressed:</p>	Operator at OPEN limit	Door closes to the CLOSE limit
				Operator at CLOSE limit	Door opens to closest OPEN limit or Mid-Stop
				Door opening	No change in state
	Door closing			No change in state	
	Door at Open Mid-Stop	Door closes to the CLOSE limit			
	<p>Door stopped during open or close cycle</p>	Door closes to the CLOSE limit			
		Door closes to the CLOSE limit			

DETERMINE AND SET WIRING TYPE (CONTINUED)

WIRING TYPE	DEVICE	ACTION	STATE	RESPONSE	
<p style="font-size: 2em; font-weight: bold; text-align: center;">TS</p> <p>This mode will attempt to close the door from any position except when fully closed, or when a safety input is present. The stop button will not disable the Timer-To-Close at any position. To disable the Timer-To-Close in this mode, installation of a defeat switch is required (see wiring diagram). Momentary contact to open, close, and stop with open override and Timer-To-Close. Every device that causes door to open, including a reversing device, activates the Timer-To-Close. Auxiliary controls can be connected to open input to activate the Timer-To-Close. If the timer has been activated, the open button and radio control can recycle the timer. The Timer-To-Close will function from the programmable mid stop with this wiring type. Compatible with 3-Button Station, 1-Button Station and 1 and 3-Button Remote Control.</p> <p>LiftMaster Monitored Entrapment Protection (LMEP) Device required.</p>	<p style="text-align: center;">3-Button Control Station</p>	<p>OPEN button is pressed momentarily</p>	Operator at OPEN limit	No change in state	
			Operator at CLOSE limit	Door opens to closest OPEN limit or Mid-Stop	
			Door opening	No change in state	
			Door closing	Door will auto reverse to OPEN limit	
			Door at Open Mid-Stop	Door opens to the OPEN limit	
		Door stopped during open or close cycle	Door opens to the OPEN limit		
		<p>CLOSE button is pressed momentarily</p>	Operator at OPEN limit	Door closes to the CLOSE limit	
			Operator at CLOSE limit	No change in state	
			Door opening	No change in state	
			Door closing	No change in state	
			Door at Open Mid-Stop	Door closes to the CLOSE limit	
		Door stopped during open or close cycle	Door closes to the CLOSE limit		
		<p>STOP button is pressed momentarily</p>	Operator at OPEN limit	No change in state	
			Operator at CLOSE limit	No change in state	
			Door opening	Door stops	
			Door closing	Door stops	
			Door at Open Mid-Stop	No change in state	
		Door stopped during open or close cycle	Door stops		
		<p>OPEN button is held (constant pressure)</p>	Operator at OPEN limit	No change in state	
			Operator at CLOSE limit	Door opens to closest OPEN limit or Mid-Stop	
	Door opening		No change in state		
	Door closing		Door will auto reverse to OPEN limit		
	Door at Open Mid-Stop		Door opens to the OPEN limit		
	Door stopped during open or close cycle	Door opens to the OPEN limit			
	<p>CLOSE button is held (constant pressure)</p>	Operator at OPEN limit	Door closes to the CLOSE limit		
		Operator at CLOSE limit	No change in state		
		Door opening	No change in state		
		Door closing	No change in state		
		Door at Open Mid-Stop	Door closes to the CLOSE limit		
	Door stopped during open or close cycle	Door closes to the CLOSE limit			
	<p style="text-align: center;">3-Button Remote Control Programmed as OPEN/CLOSE/STOP</p>	<p>OPEN button is pressed momentarily</p>	Operator at OPEN limit	No change in state	
			Operator at CLOSE limit	Door opens to closest OPEN limit or Mid-Stop	
			Door opening	No change in state	
			Door closing	Door will auto reverse to OPEN limit	
			Door at Open Mid-Stop	Door opens to the OPEN limit	
		Door stopped during open or close cycle	Door opens to the OPEN limit		
		<p>CLOSE button is pressed momentarily</p>	Operator at OPEN limit	Door closes to the CLOSE limit	
			Operator at CLOSE limit	No change in state	
			Door opening	No change in state	
			Door closing	No change in state	
			Door at Open Mid-Stop	Door closes to the CLOSE limit	
		Door stopped during open or close cycle	Door closes to the CLOSE limit		
		<p>STOP button is pressed momentarily</p>	Operator at OPEN limit	No change in state	
			Operator at CLOSE limit	No change in state	
			Door opening	Door stops	
			Door closing	Door stops	
			Door at Open Mid-Stop	No change in state	
		Door stopped during open or close cycle	Door stops		
		<p style="text-align: center;">Single Button Remote Control</p>	<p>Button is pressed</p>	Operator at OPEN limit	No change in state
				Operator at CLOSE limit	Door opens to closest OPEN limit or Mid-Stop
	Door opening			No change in state	
	Door closing			Door will auto reverse to OPEN limit	
	Door at Open Mid-Stop			No change in state	
	Door stopped during open or close cycle	Door opens to the OPEN limit			
	<p style="text-align: center;">Single Button Control Station (Wired)</p>	<p>Button is pressed:</p>	Operator at OPEN limit	No change in state	
			Operator at CLOSE limit	Door opens to closest OPEN limit or Mid-Stop	
			Door opening	No change in state	
			Door closing	Door will auto reverse to OPEN limit	
			Door at Open Mid-Stop	No change in state	
			Door stopped during the open cycle	Door opens to closest OPEN limit or Mid-Stop	
	Door stopped during the close cycle	Door opens to closest OPEN limit or Mid-Stop			
	<p style="text-align: center;">myQ</p>	<p>Door image is pressed:</p>	Operator at OPEN limit	Door closes to the CLOSE limit	
			Operator at CLOSE limit	Door opens to closest OPEN limit or Mid-Stop	
			Door opening	No change in state	
			Door closing	No change in state	
			Door at Open Mid-Stop	Door closes to the CLOSE limit	
	Door stopped during open or close cycle	Door closes to the CLOSE limit			

DETERMINE AND SET WIRING TYPE (CONTINUED)

WIRING TYPE	DEVICE	ACTION	STATE	RESPONSE	
<p style="text-align: center;">T</p> <p>Car Dealer Mode</p> <p>This mode uses the Single Button Control (SBC) input to bring the door from a closed position to the programmed Open Mid-Stop position and keep it at that location even with multiple inputs.</p> <p>LiftMaster Monitored Entrapment Protection (LMEP) Device required.</p>	3-Button Control Station	OPEN button is pressed momentarily	Operator at OPEN limit	No change in state	
			Operator at CLOSE limit	Door opens to closest OPEN limit or Mid-Stop	
			Door opening	No change in state	
			Door closing	Door will auto reverse to OPEN limit	
			Door at Open Mid-Stop	Door opens to the OPEN limit	
			Door stopped during open or close cycle	Door opens to the OPEN limit	
		CLOSE button is pressed momentarily	Operator at OPEN limit	Door closes to the CLOSE limit	
			Operator at CLOSE limit	No change in state	
			Door opening	No change in state	
			Door closing	No change in state	
			Door at Open Mid-Stop	Door closes to the CLOSE limit	
			Door stopped during open or close cycle	Door closes to the CLOSE limit	
		STOP button is pressed momentarily	Operator at OPEN limit	No change in state	
			Operator at CLOSE limit	No change in state	
			Door opening	Door stops	
			Door closing	Door stops	
			Door at Open Mid-Stop	No change in state	
			Door stopped during open or close cycle	No change in state	
		OPEN button is held (constant pressure)	Operator at OPEN limit	No change in state	
			Operator at CLOSE limit	Door opens to closest OPEN limit or Mid-Stop	
			Door opening	No change in state	
			Door closing	Door will auto reverse to OPEN limit	
			Door at Open Mid-Stop	Door opens to the OPEN limit	
			Door stopped during open or close cycle	Door opens to the OPEN limit	
	CLOSE button is held (constant pressure)	Operator at OPEN limit	Door closes to the CLOSE limit		
		Operator at CLOSE limit	No change in state		
		Door opening	No change in state		
		Door closing	No change in state		
		Door at Open Mid-Stop	Door closes to the CLOSE limit		
		Door stopped during open or close cycle	Door closes to the CLOSE limit		
	3-Button Remote Control Programmed as OPEN/CLOSE/STOP	OPEN button is pressed momentarily	Operator at OPEN limit	No change in state	
			Operator at CLOSE limit	Door opens to closest OPEN limit or Mid-Stop	
			Door opening	No change in state	
			Door closing	Door will auto reverse to OPEN limit	
			Door at Open Mid-Stop	Door opens to the OPEN limit	
			Door stopped during open or close cycle	Door opens to the OPEN limit	
		CLOSE button is pressed momentarily	Operator at OPEN limit	Door closes to the CLOSE limit	
			Operator at CLOSE limit	No change in state	
			Door opening	No change in state	
			Door closing	No change in state	
			Door at Open Mid-Stop	Door closes to the CLOSE limit	
			Door stopped during open or close cycle	Door closes to the CLOSE limit	
		STOP button is pressed momentarily	Operator at OPEN limit	No change in state	
			Operator at CLOSE limit	No change in state	
			Door opening	Door stops	
			Door closing	Door stops	
			Door at Open Mid-Stop	No change in state	
			Door stopped during open or close cycle	No change in state	
		Single Button Remote Control	Button is pressed	Operator at OPEN limit	No change in state
				Operator at CLOSE limit	Door opens to closest OPEN limit or Mid-Stop
				Door opening	No change in state
				Door closing	Door will auto reverse to OPEN limit
				Door at Open Mid-Stop	No change in state
				Door stopped during open or close cycle	Door opens to closest OPEN limit or Mid-Stop
	Single Button Control Station (Wired)	Button is pressed:	Operator at OPEN limit	No change in state	
			Operator at CLOSE limit	Door opens to closest OPEN limit or Mid-Stop	
			Door opening	No change in state	
			Door closing	Door will auto reverse to OPEN limit	
			Door at Open Mid-Stop	No change in state	
			Door stopped during the open cycle	Door opens to the OPEN limit	
	myQ	Door image is pressed:	Operator at OPEN limit	Door closes to the CLOSE limit	
			Operator at CLOSE limit	Door opens to closest OPEN limit or Mid-Stop	
			Door opening	No change in state	
			Door closing	No change in state	
			Door at Open Mid-Stop	Door closes to the CLOSE limit	
			Door stopped during open or close cycle	Door closes to the CLOSE limit	

DETERMINE AND SET WIRING TYPE (CONTINUED)

WIRING TYPE	DEVICE	ACTION	STATE	RESPONSE	
<p style="font-size: 2em; font-weight: bold; margin: 0;">TS</p> <p style="margin: 0;">Car Dealer Mode</p> <p style="font-size: 0.8em; margin: 5px 0;">This mode uses the Single Button Control (SBC) input to bring the door from a closed position to the programmed Open Mid-Stop position and keep it at that location even with multiple inputs.</p> <p style="font-size: 0.8em; margin: 5px 0;">LiftMaster Monitored Entrapment Protection (LMEP) Device required.</p>	3-Button Control Station	OPEN button is pressed momentarily	Operator at OPEN limit	No change in state	
			Operator at CLOSE limit	Door opens to closest OPEN limit or Mid-Stop	
			Door opening	No change in state	
			Door closing	Door will auto reverse to OPEN limit	
			Door at Open Mid-Stop	Door opens to the OPEN limit	
		Door stopped during open or close cycle	Door opens to the OPEN limit		
		CLOSE button is pressed momentarily	Operator at OPEN limit	Door closes to the CLOSE limit	
			Operator at CLOSE limit	No change in state	
			Door opening	No change in state	
			Door closing	No change in state	
			Door at Open Mid-Stop	Door closes to the CLOSE limit	
		Door stopped during open or close cycle	Door closes to the CLOSE limit		
		STOP button is pressed momentarily	Operator at OPEN limit	No change in state	
			Operator at CLOSE limit	No change in state	
			Door opening	Door stops	
			Door closing	Door stops	
			Door at Open Mid-Stop	No change in state	
		Door stopped during open or close cycle	No change in state		
		OPEN button is held (constant pressure)	Operator at OPEN limit	No change in state	
			Operator at CLOSE limit	Door opens to closest OPEN limit or Mid-Stop	
	Door opening		No change in state		
	Door closing		Door will auto reverse to OPEN limit		
	Door at Open Mid-Stop		Door opens to the OPEN limit		
	Door stopped during open or close cycle	Door opens to the OPEN limit			
	CLOSE button is held (constant pressure)	Operator at OPEN limit	Door closes to the CLOSE limit		
		Operator at CLOSE limit	No change in state		
		Door opening	No change in state		
		Door closing	No change in state		
		Door at Open Mid-Stop	Door closes to the CLOSE limit		
	Door stopped during open or close cycle	Door closes to the CLOSE limit			
	3-Button Remote Control Programmed as OPEN/CLOSE/STOP	OPEN button is pressed momentarily	Operator at OPEN limit	No change in state	
			Operator at CLOSE limit	Door opens to closest OPEN limit or Mid-Stop	
			Door opening	No change in state	
			Door closing	Door will auto reverse to OPEN limit	
			Door at Open Mid-Stop	Door opens to the OPEN limit	
		Door stopped during open or close cycle	Door opens to the OPEN limit		
		CLOSE button is pressed momentarily	Operator at OPEN limit	Door closes to the CLOSE limit	
			Operator at CLOSE limit	No change in state	
			Door opening	No change in state	
			Door closing	No change in state	
			Door at Open Mid-Stop	Door closes to the CLOSE limit	
		Door stopped during open or close cycle	Door closes to the CLOSE limit		
		STOP button is pressed momentarily	Operator at OPEN limit	No change in state	
			Operator at CLOSE limit	No change in state	
			Door opening	Door stops	
			Door closing	Door stops	
			Door at Open Mid-Stop	No change in state	
		Door stopped during open or close cycle	No change in state		
		Single Button Remote Control	Button is pressed	Operator at OPEN limit	No change in state
				Operator at CLOSE limit	Door opens to closest OPEN limit or Mid-Stop
	Door opening			No change in state	
	Door closing			Door will auto reverse to OPEN limit	
	Door at Open Mid-Stop			No change in state	
	Door stopped during open or close cycle	Door opens to closest OPEN limit or Mid-Stop			
	Single Button Control Station (Wired)	Button is pressed:	Operator at OPEN limit	No change in state	
			Operator at CLOSE limit	Door opens to closest OPEN limit or Mid-Stop	
			Door opening	No change in state	
			Door closing	Door will auto reverse to OPEN limit	
			Door at Open Mid-Stop	No change in state	
			Door stopped during the open cycle	Door opens to the OPEN limit	
	Door stopped during the close cycle	Door opens to the OPEN limit			
	myQ	Door image is pressed:	Operator at OPEN limit	Door closes to the CLOSE limit	
			Operator at CLOSE limit	Door opens to closest OPEN limit or Mid-Stop	
			Door opening	No change in state	
			Door closing	No change in state	
			Door at Open Mid-Stop	Door closes to the CLOSE limit	
	Door stopped during open or close cycle	Door closes to the CLOSE limit			

DETERMINE AND SET WIRING TYPE (CONTINUED)

WIRING TYPE	DEVICE	ACTION	STATE	RESPONSE	
E2	3-Button Control Station	OPEN button is pressed momentarily	Operator at OPEN limit	No change in state	
			Operator at CLOSE limit	Door opens to the OPEN limit	
			Door opening	No change in state	
			Door closing	Door will auto reverse to OPEN limit	
			Door at Open Mid-Stop	Door opens to the OPEN limit	
		Door stopped during open or close cycle	Door opens to the OPEN limit		
		CLOSE button is pressed momentarily	Operator at OPEN limit	Door closes and auto reverses when button is released	
			Operator at CLOSE limit	No change in state	
			Door opening	No change in state	
			Door closing	No change in state	
			Door at Open Mid-Stop	Door closes and auto reverses when button is released	
		Door stopped during open or close cycle	Door closes and auto reverses when button is released		
		STOP button is pressed momentarily	Operator at OPEN limit	No change in state	
			Operator at CLOSE limit	No change in state	
			Door opening	Door stops	
			Door closing	Door stops	
			Door at Open Mid-Stop	No change in state	
		Door stopped during open or close cycle	No change in state		
		OPEN button is held (constant pressure)	Operator at OPEN limit	No change in state	
			Operator at CLOSE limit	Door opens to the OPEN limit	
			Door opening	No change in state	
			Door closing	Door will auto reverse to OPEN limit	
			Door at Open Mid-Stop	Door opens to the OPEN limit	
		Door stopped during open or close cycle	Door opens to the OPEN limit		
		CLOSE button is held (constant pressure)	Operator at OPEN limit	Door closes to the CLOSE limit	
			Operator at CLOSE limit	No change in state	
			Door opening	No change in state	
			Door closing	No change in state	
			Door at Open Mid-Stop	Door closes and auto reverses when button is released	
		Door stopped during open or close cycle	Door closes and auto reverses when button is released		
		3-Button Remote Control Programmed as OPEN/CLOSE/STOP	OPEN button is pressed momentarily	Operator at OPEN limit	No change in state
				Operator at CLOSE limit	Door opens to the OPEN limit
				Door opening	No change in state
				Door closing	Door will auto reverse to OPEN limit
				Door at Open Mid-Stop	Door opens to the OPEN limit
			Door stopped during open or close cycle	Door opens to the OPEN limit	
			CLOSE button is pressed momentarily	Operator at OPEN limit	Door closes and auto reverses when button is released
				Operator at CLOSE limit	No change in state
				Door opening	No change in state
				Door closing	No change in state
	Door at Open Mid-Stop			Door closes and auto reverses when button is released	
	Door stopped during open or close cycle		Door closes and auto reverses when button is released		
	STOP button is pressed momentarily		Operator at OPEN limit	No change in state	
			Operator at CLOSE limit	No change in state	
			Door opening	Door stops	
			Door closing	Door stops	
			Door at Open Mid-Stop	No change in state	
	Door stopped during open or close cycle		No change in state		
	Single Button Remote Control		Button is pressed	Operator at OPEN limit	No change in state
				Operator at CLOSE limit	No change in state
		Door opening		No change in state	
		Door closing		No change in state	
		Door at Open Mid-Stop		No change in state	
	Door stopped during open or close cycle	No change in state			
	Single Button Control Station (Wired)	Button is pressed:	Operator at OPEN limit	No change in state	
			Operator at CLOSE limit	No change in state	
			Door opening	No change in state	
			Door closing	No change in state	
			Door at Open Mid-Stop	No change in state	
			Door stopped during the open cycle	No change in state	
	Door stopped during the close cycle	No change in state			
	myQ	Door image is pressed:	Operator at OPEN limit	No change in state	
			Operator at CLOSE limit	Door opens to the OPEN limit	
			Door opening	No change in state	
			Door closing	No change in state	
			Door at Open Mid-Stop	No change in state	
	Door stopped during open or close cycle	No change in state			

Momentary contact to open with override and constant pressure to close. Release of close button will cause door to reverse (roll-back feature) plus wiring for sensing device to reverse. Compatible with 3-Button Station.

DETERMINE AND SET WIRING TYPE (CONTINUED)

WIRING TYPE	DEVICE	ACTION	STATE	RESPONSE	
D1 Constant pressure to open and close with wiring for sensing device to stop. Compatible with 2 or 3-Button Station	3-Button Control Station	OPEN button is pressed momentarily	Operator at OPEN limit	No change in state	
			Operator at CLOSE limit	Door opens and stops when button is released	
			Door opening	No change in state	
			Door closing	No change in state	
			Door at Open Mid-Stop	Door opens and stops when button is released	
		Door stopped during open or close cycle	Door opens and stops when button is released		
		CLOSE button is pressed momentarily	Operator at OPEN limit	Door closes and stops when button is released	
			Operator at CLOSE limit	No change in state	
			Door opening	No change in state	
			Door closing	No change in state	
			Door at Open Mid-Stop	Door closes and stops when button is released	
		Door stopped during open or close cycle	Door closes and stops when button is released		
		STOP button is pressed momentarily	Operator at OPEN limit	No change in state	
			Operator at CLOSE limit	No change in state	
			Door opening	Door stops	
			Door closing	Door stops	
			Door at Open Mid-Stop	No change in state	
		Door stopped during open or close cycle	No change in state		
		OPEN button is held (constant pressure)	Operator at OPEN limit	No change in state	
			Operator at CLOSE limit	Door opens to the OPEN limit	
			Door opening	No change in state	
			Door closing	Door opens to the OPEN limit	
			Door at Open Mid-Stop	Door opens to the OPEN limit	
		Door stopped during open or close cycle	Door opens to the OPEN limit		
		CLOSE button is held (constant pressure)	Operator at OPEN limit	Door closes to the CLOSE limit	
			Operator at CLOSE limit	No change in state	
			Door opening	No change in state	
			Door closing	No change in state	
			Door at Open Mid-Stop	Door closes to the CLOSE limit	
		Door stopped during open or close cycle	Door closes to the CLOSE limit		
	3-Button Remote Control Programmed as OPEN/CLOSE/STOP	OPEN button is pressed momentarily	Operator at OPEN limit	No change in state	
			Operator at CLOSE limit	Door opens and stops when button is released	
			Door opening	No change in state	
			Door closing	Door opens to the OPEN limit	
			Door at Open Mid-Stop	Door opens and stops when button is released	
		Door stopped during open or close cycle	Door opens and stops when button is released		
		CLOSE button is pressed momentarily	Operator at OPEN limit	Door closes and stops when button is released	
			Operator at CLOSE limit	No change in state	
			Door opening	No change in state	
			Door closing	No change in state	
			Door at Open Mid-Stop	Door closes and stops when button is released	
		Door stopped during open or close cycle	Door closes and stops when button is released		
		STOP button is pressed momentarily	Operator at OPEN limit	No change in state	
			Operator at CLOSE limit	No change in state	
			Door opening	Door stops	
			Door closing	Door stops	
			Door at Open Mid-Stop	No change in state	
		Door stopped during open or close cycle	No change in state		
		Single Button Remote Control	Button is pressed	Operator at OPEN limit	No change in state
				Operator at CLOSE limit	No change in state
				Door opening	No change in state
				Door closing	No change in state
				Door at Open Mid-Stop	No change in state
		Door stopped during open or close cycle	No change in state		
		Single Button Control Station (Wired)	Button is pressed:	Operator at OPEN limit	No change in state
				Operator at CLOSE limit	No change in state
				Door opening	No change in state
				Door closing	No change in state
				Door at Open Mid-Stop	No change in state
		Door stopped during the open cycle	No change in state		
	Door stopped during the close cycle	No change in state			
	myQ	Door image is pressed:	Operator at OPEN limit	No change in state	
			Operator at CLOSE limit	No change in state	
			Door opening	No change in state	
			Door closing	No change in state	
			Door at Open Mid-Stop	No change in state	
	Door stopped during open or close cycle	No change in state			

DETERMINE AND SET WIRING TYPE (CONTINUED)

IMPORTANT NOTES:

1. *External interlocks may be used with all functional modes.*
2. *Auxiliary devices are any devices that have only dry contacts. Examples: loop detector, pneumatic or electrical treadles, radio controls, one button stations, pull cords, etc.*
3. *Open override means that the door may be reversed while closing by activating an opening device without the need to use the stop button first.*
4. *When the door is in a stopped position other than fully closed, and an LMEP or EDGE input is activated, the Restricted Close (RC) feature will allow a close command when the close button is pressed and held. The operator will begin closing after 5 seconds. If the close button is released the door will stop.
When in E2 mode, the door will move to the fully open position.*

⚠ WARNING

To prevent possible SEVERE INJURY or DEATH:

- Install a LiftMaster Monitored Entrapment Protection (LMEP) Device.
- NEVER permit children to operate or play with door control push buttons or remote controls.

- Activate door ONLY when it can be seen clearly, is properly adjusted and there are no obstructions to door travel.
- ALWAYS keep door in sight until completely closed. NEVER permit anyone to cross the path of closing door.

myQ SETUP (OPTIONAL)

For Smartphone App, tablet or PC control, LiftMaster myQ Internet Gateway (model 828LM) is required.

1. To enter programming mode, press and release the RADIO button on the logic board (the RADIO LED will light).
2. To program the myQ device, place the myQ device into learn mode (see instructions for the specific myQ device).
3. When the programming is complete the RADIO LED will turn off.

NOTE: If the programming is not completed within 3 minutes, the program mode will be exited and the RADIO LED will turn off.

TO ERASE ALL myQ DEVICES:

1. Press and release the RADIO button on the logic board (the RADIO LED will light).
2. Press and hold the MAS button for 5 seconds. The RADIO LED will flash for approximately 5 seconds and the RADIO LED will turn off.

All myQ devices are now erased.

Please visit LiftMaster.com/myQ-CDO for troubleshooting information.

PROGRAMMING REMOTE CONTROLS

Built in 3-channel, Security+2.0® radio receiver, up to 90 remote control devices and up to 30 keyless entry devices can be added.

NOTE: The following programming requires a LiftMaster Monitored Entrapment Protection (LMEP) Device.

STANDARD REMOTE CONTROL

1. To enter programming press and release the RADIO button on the logic board (RADIO LED will light).
2. Press and hold the remote control button until the RADIO LED flashes rapidly, then release remote control button. The RADIO LED will then remain on solid after releasing the button. Repeat to add additional remote control(s).
3. Press and release the RADIO button to complete the programming. The RADIO programming mode will exit if no activity is performed within 30 seconds. The MAS and RADIO LED's will flash briefly to indicate the RADIO has exited the programming mode for remote controls and keyless entry devices. The RADIO will remain in program mode for another 150 seconds for myQ devices and then will completely exit with no activity.

SINGLE BUTTON REMOTE CONTROL PROGRAMMED AS A SINGLE BUTTON CONTROL (SBC)

This function programs a remote control as a wireless single button control. This function will work in the following modes:

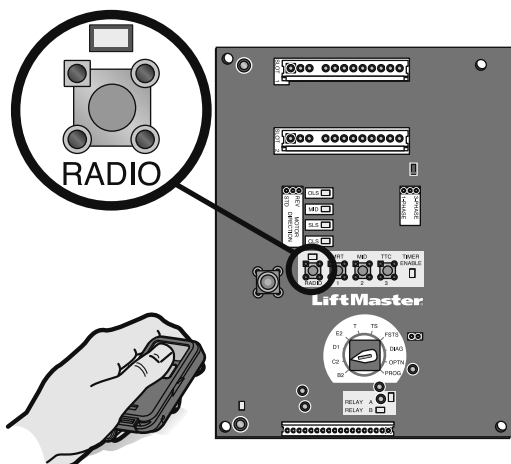
In B2 mode, operation is OPEN/STOP/CLOSE/REVERSE/STOP.

In T and TS modes, operation is OPEN/STOP/CLOSE/REVERSE/STOP and Timer-To-Close start/refresh. **NOTE:** If Car Dealer mode is enabled, SBC will be open only, stopping at the Open Mid-Stop.

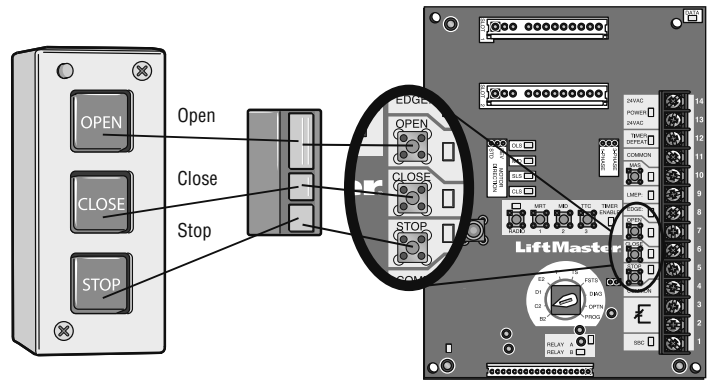
In FSTS mode, operation is OPEN with Timer-To-Close start/refresh only, bypassing a programmed Open Mid-Stop.

1. Press and release the RADIO button on the logic board (RADIO LED will light).
2. Press and release the SBC externally wired button. The RADIO LED flashes rapidly and remains on solid. (If an SBC externally wired button is not present, a jumper wire may be used to momentarily short SBC and COMMON)
3. Press and hold the remote control button until the RADIO LED flashes rapidly. The RADIO LED will then remain on solid after releasing.
4. Press and release the RADIO button on the logic board (RADIO LED flashes rapidly and then turns off). The programming mode is exited if no activity is performed within 30 seconds. The MAS and RADIO LED's will flash briefly to indicate the RADIO has exited the programming mode for remote controls and keyless entry devices. The RADIO will remain in program mode for another 150 seconds for myQ devices and then will completely exit with no activity.

NOTE: Single button remote control is not supported with D1 and E2 wiring modes. C2 mode will only open and stop while opening.



PROGRAMMING REMOTE CONTROLS (CONTINUED)



THREE BUTTON REMOTE CONTROL PROGRAMMED FOR OPEN/CLOSE/STOP

NOTE: The following programming requires a LiftMaster Monitored Entrapment Protection (LMEP) Device.

Your Security+ 2.0® or dip switch remote control can be programmed to operate as a 3-button wireless control station: the large button will open the door, the middle button will close the door, and the third button will stop the door's movement.

You may set up this feature as follows:

1. To enter programming press and release the RADIO button on the logic board (the RADIO LED will light).
2. To program the OPEN button to a remote control press and release the OPEN button on the logic board. The RADIO LED will flash and then stay on solid. Then press the corresponding button on the remote control. The RADIO LED on the logic board will flash, this confirms that the remote control has been programmed. (By programming the remote you use 1 channel of the 90 channels on the radio receiver.)
3. To program the CLOSE button to a remote control press and release the CLOSE button on the logic board. The RADIO LED will flash and then stay on solid. Then press the corresponding button on the remote control. The RADIO LED on the logic board will flash, this confirms that the remote control has been programmed. (By programming the remote you use 1 channel of the 90 channels on the radio receiver.)
4. To program the STOP button to a remote control press and release the STOP button on the logic board. The RADIO LED will flash and then stay on solid. Then press the corresponding button on the remote control. The RADIO LED on the logic board will flash, this confirms that the remote control has been programmed. (By programming the remote you use 1 channel of the 90 channels on the radio receiver.)
5. After learning remote controls press the RADIO button on the logic board (RADIO LED will turn off). **NOTE:** If no activity within 30 seconds, the MAS and RADIO LED's will flash briefly to indicate the RADIO has exited the programming mode for remote controls and keyless entry devices. The RADIO will remain in program mode for another 150 seconds for myQ devices and then will completely exit with no activity.

REMOTE CONTROL PROGRAMMING FEATURE

Program Remote Controls from the 3-button control station (3BCS).

This feature allows the user to add additional remote controls from the 3BCS. By default the remote control learn option is off. **NOTE:** Requires access to the operator electrical box to enable or disable this feature.

To turn this feature on:

1. Turn the selector dial to PROG.
2. Press and release the RADIO button. The RADIO LED will be lit.
3. Press and release the MID button. The RADIO LED will flash quickly 6 times.
4. Press and release the RADIO button. The RADIO LED will turn off.
5. Return the selector dial to the desired wiring type.

To add remote controls from the 3BCS:

1. With the door in the fully closed position (close limit activated), press and hold STOP.
2. While holding STOP, press and hold CLOSE.
3. While holding STOP and CLOSE, press and hold OPEN.
4. Release all three buttons once the MAS LED has lit.
5. Learn a remote control by one of the following methods:
 - a. Programming a **standard single button/single function remote control**, push and hold the remote control button until the MAS LED goes out. Repeat steps 1 through 4 to add additional remote controls.
 - b. Programming a **3-button/three function remote control** (OPEN/CLOSE/STOP), first push the button on the 3BCS (Example: OPEN) and then press and hold the button on the remote control (Example: large button) that you want to correspond with the selected (Example: OPEN) command until the MAS LED flashes and goes out. Repeat steps 1 through 4 to add additional buttons (CLOSE AND STOP).

PROGRAMMING REMOTE CONTROLS (CONTINUED)

REMOTE CONTROL PROGRAMMING FEATURE

Program Remote Controls from the 3-button control station (3BCS) (continued)

To turn this feature off:

1. Turn the selector dial to PROG.
2. Press and release the RADIO button. The RADIO LED will be lit.
3. Press and release the MRT button. The RADIO LED will flash quickly 3 times.
4. Press and release RADIO button. The RADIO LED will turn off.
5. Return selector dial to desired wiring type.

NOTE: Restoring the operator to Factory Default (see **RESETTING FACTORY DEFAULTS**) will also disable this feature. The remote controls will still be learned.

MAINTENANCE ALERT SYSTEM (MAS)

Feature: An internal cycle counter will activate a flashing LED on the 3-button control station when the preset number of cycles or months has elapsed (whichever occurs first). Setting this feature is optional. By default this feature will never activate. Logic 5.0 operators incorporate a self diagnostic feature built into the MAS LED. In addition to indicating when routine maintenance is due, the MAS LED can be used to troubleshoot some problems with the operator.

Benefit: The Maintenance Alert System (MAS) assists the installing dealer in setting up a routine maintenance program. Once programmed, the MAS notifies the end user (with a flashing LED on the 3-button station) when a preset number of cycles/months has elapsed and scheduled maintenance is due.

To Program (from the Operator Logic Board):

1. Close the door.
2. Turn the selector dial to PROG.
3. Press and release the MAS SET button.
4. Press the STOP button once to clear the MAS memory.
5. Press the OPEN button once for every 5,000 cycles increments. Press the CLOSE button once for every 3 month increments.
6. Press and release the MAS button to complete the programming. The on board LED will flash back the programmed settings. The OPEN LED will flash once for every 5,000 cycles. The CLOSE LED will flash once for every 3 months.
7. Turn the selector dial back to the desired wiring type.

NOTE: If MAS LED flashes 2 or more flashes in a row followed by a pause, an operator error occurred. Turn to page 47 to diagnose the problem.

Example: A door is installed with 30,000 cycle springs and has an annual service contract. To set the MAS, turn selector dial to PROG, press MAS button, press the STOP button to clear the memory and then press the OPEN button 6 times (30,000 cycles) and the CLOSE button 4 times (12 months). Press the MAS button again to complete the programming. Turn the selector dial back to the desired wiring type.

Special Notes about MAS: A 5th wire must be run to the control station to activate the MAS LED. The MAS LED on the logic board is always enabled. When the operator is serviced after the MAS LED has started to flash, repeat the setup procedure to program in the number or cycles desired until the next service visit OR press and

Programming

ERASING REMOTE CONTROLS

Press and hold the RADIO button on the logic board until the RADIO LED flashes rapidly (approximately 5 seconds). All remote controls will be erased.

NOTICE: This device complies with Part 15 of the FCC rules and Industry Canada's license-exempt RSSs. Operation is subject to the following two conditions: (1) this device may not cause harmful interference, and (2) this device must accept any interference received, including interference that may cause undesired operation.

Any changes or modifications not expressly approved by the party responsible for compliance could void the user's authority to operate the equipment.

This device must be installed to ensure a minimum 20 cm (8 in.) distance is maintained between users/ bystanders and device.

This device has been tested and found to comply with the limits for a Class B digital device, pursuant to part 15 of the FCC rules and Industry Canada ICES standard. These limits are designed to provide reasonable protection against harmful interference in a residential installation. This equipment generates, uses and can radiate radio frequency energy and, if not installed and used in accordance with the instructions, may cause harmful interference to radio communications. However, there is no guarantee that interference will not occur in a particular installation. If this equipment does cause harmful interference to radio or television reception, which can be determined by turning the equipment off and on, the user is encouraged to try to correct the interference by one or more of the following measures:

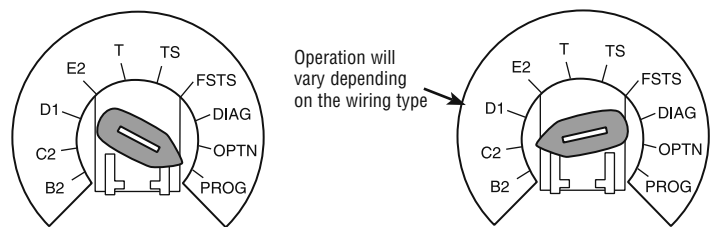
- Reorient or relocate the receiving antenna.
- Increase the separation between the equipment and receiver.
- Connect the equipment into an outlet on a circuit different from that to which the receiver is connected.
- Consult the dealer or an experienced radio/TV technician for help.

hold the MAS button for 5 seconds in the PROGRAM mode to reset the MAS with the current programmed value. To disable the MAS, follow the programming procedure and press the STOP button to reset the counter to zero. Every time the operator leaves the close limit one cycle is counted.

To view how many cycles are programmed into the MAS, set the selector dial to DIAG and press the MAS button. The OPEN button LED will flash once for every 5,000 cycle increment programmed and the CLOSE button LED will flash once for every 3 month increment programmed.

To view how many cycles have elapsed since the last time the MAS was programmed, set the selector dial to DIAG and press the MAS button. Press the OPEN button; the OPEN LED will flash once for every 5,000 cycles that has elapsed. Press the CLOSE button; the CLOSE LED will flash once for every (3) months that has elapsed. Press the CLOSE button; the CLOSE LED will flash once for every (3) months that have elapsed. Press the MAS button to exit. Turn the selector dial back to the desired wiring type.

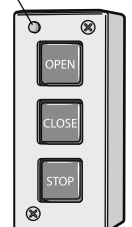
SELECTOR DIAL



3-BUTTON CONTROL STATION

Press This	To Get This
OPEN	Adds 5,000 cycles to the Maintenance Alert System Activation Counter.
CLOSE	Adds 3 Months to the Maintenance Alert System Activation Timer.
STOP	Clears memory, sets the Maintenance Alert System Activation Counter to 0 cycles and 0 months

Maintenance Alert LED



! WARNING

To prevent possible SEVERE INJURY or DEATH:

- Install a LiftMaster Monitored Entrapment Protection (LMEP) Device.
- NEVER permit children to operate or play with door control push buttons or remote controls.

- Activate door ONLY when it can be seen clearly, is properly adjusted and there are no obstructions to door travel.
- ALWAYS keep door in sight until completely closed. NEVER permit anyone to cross path of closing door.

TIMER-TO-CLOSE

Feature: Timer automatically closes the door after preset time. All entrapment protection devices must be unobstructed.

Benefit: The door will automatically close after the preset amount of time. Great for apartment buildings, fire stations and other applications where the end user wants the door to close automatically after a specified amount of time.

Requirements: Must have at least one LiftMaster Monitored Entrapment Protection (LMEP) Device installed (refer to page 20). Wiring type must be set to TS, T or FSTS.

TO PROGRAM MANUALLY (METHOD 1):

1. Close the door.
2. Turn the selector dial to PROG.
3. Press and release the TTC button on the logic board.
4. Press and release the STOP button to clear the timer.
5. Press and release the OPEN button for every second the operator should wait before attempting to close the door. Press and release the CLOSE button for every 15 seconds the operator should wait before closing the door.
6. Press and release the TTC button to complete the programming. The OPEN/CLOSE button LEDs will flash to confirm the timer setting. The OPEN LED will flash once for every second programmed and the CLOSE LED will flash once for every 15 seconds programmed.
7. Turn the selector dial to the desired timer wiring type (TS, T or FSTS).

TO PROGRAM TIMER-TO-CLOSE BY EXAMPLE (METHOD 2):

1. Close the door.
2. Turn the selector dial to PROG.
3. Press and hold TTC button for 5 seconds until OPEN and OLS flashes then release.
4. Press and release the OPEN button and wait for the door to reach full open or Mid-Stop position.
5. Wait for desired amount of time to pass. (An internal stop watch starts counting when the door stops moving.)
6. Press and release the TTC button, CLOSE button or STOP button to stop the timer. (TIMER ENABLE LED will turn on.)
7. Turn the selector dial to the desired wiring type (T, TS, FSTS).

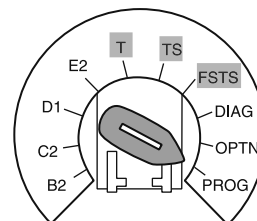
NOTE: To read back the Timer-To-Close setting, turn the selector dial to DIAG and press the TTC button. The OPEN LED will flash once for every second programmed and the CLOSE LED will flash once for every 15 seconds programmed.

In T Mode, timer can be deactivated from the open position by pressing the STOP button. The timer will be reactivated on the next operation command. To deactivate the timer for more than one cycle in T mode or in TS mode, attach a defeat switch to 11 and 12 (COMMON and TIMER DEFEAT).

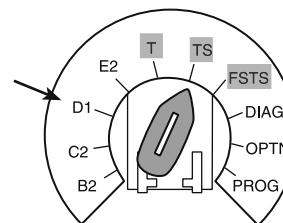
Example: To close the door after 70 seconds. Turn the selector dial to PROG, press and release the TTC button, press and release the STOP button to clear the timer, press and release the CLOSE button four times for 60 seconds and press and release the OPEN button 10 times for 10 seconds. Press the TTC button to finish programming the timer. Turn the selector dial to the desired timer wiring type. (TS, T, FSTS).

The STOP button WILL NOT deactivate the timer in the TS mode. For more information about TS, T, and FSTS wiring types refer to page 28.

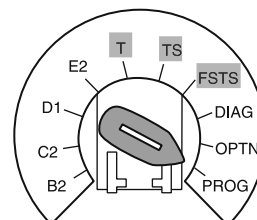
SELECTOR DIAL



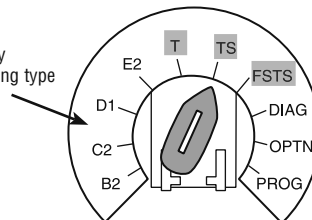
Operation will vary depending on the wiring type



SELECTOR DIAL



Operation will vary depending on wiring type



OPEN MID-STOP

Feature: The Mid-Stop feature will open a door to a preset position prior to the fully open position (except in FSTS wiring type with Single Button Control (SBC). The SBC will bypass the programmed Mid-Stop).

A momentary open command will open the door fully from the Mid-Stop position. Once the door has reached the Mid-Stop position, the photoelectric sensors and other entrapment protection devices will not open the door beyond the Mid-Stop position when an obstruction is detected, except in E2 wiring type. The Timer-To-Close will work from the Mid-Stop.

Benefit: The door opens to a midpoint between open and close reducing heating and cooling costs. The door will not cycle fully, providing longer door and operator life.

To Program:

1. Close the door.
2. Turn selector dial to PROG.
3. Press and release the MID button on the logic board.
4. Press the OPEN button, when the door reaches the desired Mid-Stop height, press and release the STOP button.
5. Press and release the MID button to complete programming.
6. Turn selector dial back to desired wiring type.

NOTE: To clear the Mid-Stop feature, set the selector dial to PROG. Press and hold the MID button for 5 seconds. The MID LED will flash rapidly and turn off once the Mid-Stop has been cleared. Turn selector dial back to the desired wiring type.

CAR DEALER MODE

Feature: The Car Dealer Mode uses the Single Button Control input (SBC Terminals 1 and 4) to bring a door from a closed position to a programmed Open Mid-Stop position. The operator will ignore additional SBC commands while at the Mid-Stop.

Benefit: Provides energy cost savings by limiting the door opening height.

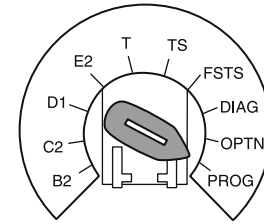
Requirements: This feature works in conjunction with the programmable Timer-To-Close feature. To enable this feature connect a treadle, photoelectric sensor or loop detector accessory to the SBC input and at a minimum one LiftMaster Monitored Entrapment Protection (LMEP) Device installed (refer to page 20). Wiring type must be set to TS or T (located on logic board). Before programming the Car Dealer Mode, both Mid-Stop and Timer-to-Close must be programmed.

TO PROGRAM:

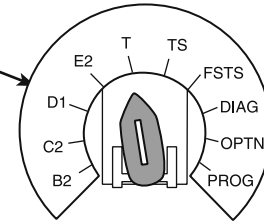
1. Close the door.
2. Turn the selector dial to PROG.
3. Push the TTC button and release (green timer enable LED will be illuminated).
4. Push the MID button and release. The Car Dealer Mode is now on (the green timer enable LED will flash 6 times indicating the Car Dealer Mode is turned on).
5. Push the TTC button and release.
6. Turn the selector dial to the desired wiring type (TS or T).

NOTE: To disable the Car Dealer Mode follow steps 2 and 3, then press the MRT button and release. (The Green Timer LED will flash 3 times indicating the Car Dealer Mode is off.)

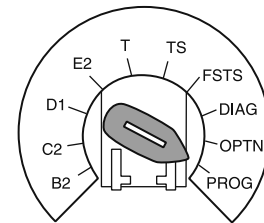
SELECTOR DIAL



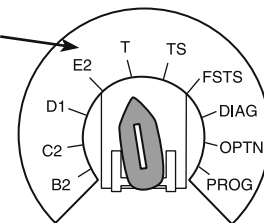
Operation will vary depending on the wiring type



SELECTOR DIAL



Operation will vary depending on the wiring type



MAXIMUM RUN TIMER (MRT)

Feature: The operator can learn the time required to open or close a door plus an additional 10 seconds.

Benefit: If the operator does not meet the open or close contact limit switch within the set time, the operator will stop, limiting potential damage to the door and operator.

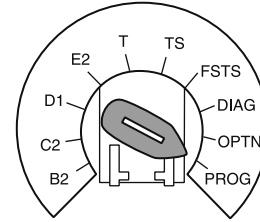
To Program:

NOTE: The factory default setting for the MRT is 90 seconds. To manually set the MRT follow the steps below.

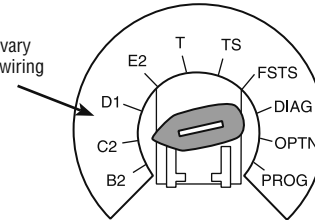
1. Close the door.
2. Set the selector dial to PROG.
3. Press and release the MRT button on the logic board.
4. Press the OPEN button and wait for the door to reach the full open limit.
5. Once the door has reached the open position, programming is complete.
6. Turn selector dial to desired wiring type.

NOTE: To reset MRT feature, turn selector dial to PROG and press and hold the MRT button until the MAS LED flashes rapidly.

SELECTOR DIAL



Operation will vary depending on wiring type



RESETTING FACTORY DEFAULTS - CLEARING MEMORY

To reset most of the user installed settings back to factory defaults:

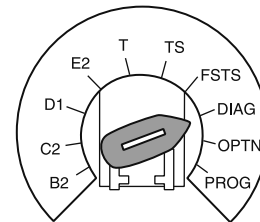
1. Turn the selector dial to DIAG.
2. Press and hold the STOP button for 5 seconds. The MAS LED will flash momentarily when the factory defaults have been restored.
3. Return the selector dial to the desired wiring type.

Factory Defaults:

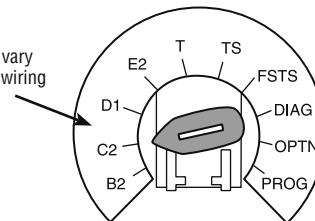
- a. Timer-To-Close = 0 seconds.
- b. The Mid-Stop is deactivated.
- c. The Maintenance Alert System is deactivated.
- d. Maximum Run Timer = 90 seconds.
- e. Car Dealer Mode is deactivated.
- f. Remote controls and myQ devices will still be learned.
- g. Remote control programming via the 3-button station is deactivated.
- h. LiftMaster Monitored Entrapment Protection (LMEP) Device(s) will be deleted from the operator memory. **NOTE:** To delete LMEP Device(s) from the operator memory, the LMEP Device(s) must be disconnected prior to reset.

NOTE: Life of Operator feature (Odometer/Cycle Counter) and programmed remote controls and myQ devices are not cleared.

SELECTOR DIAL





Operation will vary depending on wiring type



MAINTENANCE

MAINTENANCE SCHEDULE

For use with Maintenance Alert System.
Check at the intervals listed in the following chart:

  WARNING
To avoid SERIOUS personal INJURY or DEATH : <ul style="list-style-type: none"> • Disconnect electric power BEFORE performing ANY adjustments or maintenance. • ALL maintenance MUST be performed by a trained door systems technician.

ITEM	PROCEDURE	EVERY MONTH	EVERY 3 MONTHS OR 5,000 CYCLES	EVERY 6 MONTHS OR 10,000 CYCLES
Drive Chain	Check for excessive slack. Check and adjust as required. Lubricate.		●●	
Sprockets	Check set screw tightness.		●	
Clutch	Check and adjust as required.			●
Belt	Check condition and tension.			●
Fasteners	Check and tighten as required.			●
Manual Disconnect	Check and operate.			●
Non-Motor Bearings	Check for wear and lubricate.		●●	
Shafts	Check for wear and lubricate.		●●	
Solenoid Brake	Inspect brake pad			●
LiftMaster Monitored Entrapment Protection (LMEP)	Check alignment and functionality.	●		

◆ **Use SAE 30 Oil (Never use grease or silicone spray).**

- Do not lubricate motor. Motor bearings are rated for continuous operation.
- Do not lubricate clutch or V-belt.

- Inspect and service whenever a malfunction is observed or suspected.

HOW TO ORDER REPAIR PARTS

OUR LARGE SERVICE ORGANIZATION SPANS AMERICA

Installation and service information are available.

Call our TOLL FREE number:

1-800-528-2806

LiftMaster.com

LIFE OF OPERATOR FEATURE

The logic board is equipped with a cycle counter to show how many cycles have been performed and number of months in service since installation. If the logic board is replaced, all settings will reset to 0.

1. Start with the door in the closed position.
2. Turn the selector dial to DIAG.
3. Press and release the MAS button on the logic board.
4. Press and release the MRT button on the logic board.
5. The open and close LEDs will flash. OPEN for every 5,000 cycles and CLOSE for every 3 months.

6. Return the selector dial to the desired wiring type.

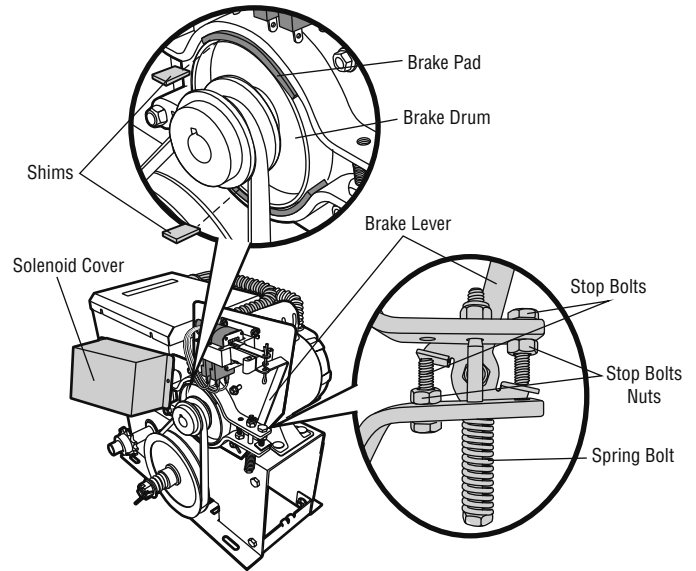
NOTE: If the operator has not reached 5,000 cycles or 3 months, there will be no LED indications. If Logic Board is replaced, cycles and hours reset to zero.

BRAKE

A drum brake comes standard on T, H, J, and HJ model operators with 3/4HP and larger motors. It comes adjusted from the factory, however, occasional adjustments may be necessary throughout the life of the brake.

ADJUSTING DRUM BRAKE:

1. Manually activate the brake by holding back brake lever and insert a type of shim (a business card or a folded piece of paper work well) between the brake pad and brake drum as far away from the spring bolt as possible, while still inserting between the brake pad and drum. Release the brake lever. This will create the necessary space to ensure the brake is not dragging when the door is in motion.
2. Tighten both stop bolts until the bolts come into contact with the lever. Secure the stop bolts in place by tightening the stop bolt nuts. Remove the shim used in step 1.
3. Tighten or loosen the spring bolt to add or release brake force.
4. Connect power to the operator. Run the operator and ensure the brake is working properly.
5. Make any adjustment necessary. If the solenoid buzzes while running, loosen the spring bolt until the buzzing is no longer present when the operator is in motion. A buzzing solenoid will stress the solenoid and can cause it to fail prematurely.



TROUBLESHOOTING

DIAGNOSTIC CHART

The logic board has several LEDs to assist in the installation and troubleshooting of the operator. The following chart should assist in verifying the operator is functioning properly. Turn the selector dial to DIAG to keep the door from moving while troubleshooting.

LED	COLOR	DEFINITION
Power	Green	Indicates power is being generated for the logic board.
Stop	Green	Indicates a closed circuit between common and terminal 5. Pressing the stop button should turn off this LED.
Open	Yellow	Indicates a closed circuit between common and terminal 7. Pressing the open button should turn on this LED.
Close	Yellow	Indicates a closed circuit between common and terminal 6. Pressing the close button should turn on this LED.
LMEP	Green	A solid illuminated LED indicates the LMEP is learned and operational. Flashing indicates sensors are obstructed, a wiring issue exists, or the LMEP Device(s) have been removed.**. Solid off indicates no sensors learned.
Timer Defeat	Yellow	Solid on indicates a closed circuit between common and terminal 12. Timer-To-Close will not close.
OLS	Yellow	Pressing the Open Limit Switch should turn on this LED. Indicates the Open Limit Switch is activated.
CLS	Yellow	Pressing the Close Limit Switch should turn on this LED. Indicates the Close Limit Switch is activated.
SLS	Yellow	Pressing the Sensing Limit Switch should turn on this LED. Indicates the Sensing Limit Switch is activated.
Edge	Yellow	Indicates a closed circuit between common and terminal 8. Pressing the Edge should turn this LED on.
Mid-Stop	Yellow	A solid illuminated LED indicates the door is stopped on up Mid-Stop. Flashing indicates Mid-Stop is being set.
Timer Enabled	Green	A solid illuminated LED indicates the TIMER is programmed and will activate from the Open or Mid-Stop positions. Flashing indicates the Timer is counting down and the door will close after the programmed preset time. Each flash represents 1 second of programmed time.
SBC	Yellow	Indicates a closed circuit between common and terminal 1. Pressing the Single Button Control Station should turn this LED on.
MAS	Yellow	Indicates the Maintenance Alert System has been activated or an error code has been triggered.
Relay A	Yellow	Indicates an OPEN or CLOSE command has been given to the motor. LED turns on when either the OPEN or CLOSE buttons are pressed.
Relay B	Yellow	Indicates an OPEN or CLOSE command has been given to the motor. LED turns on when either the OPEN or CLOSE buttons are pressed.
DATA	Green	Indicates communication between the Logic Board and optional TLS1CARD.

RADIO Amber: Refer to page 48 for RADIO LED codes.

** RESTRICTED CLOSE. This method will allow a door to be closed using the operator when LMEP Device(s) are no longer working. Press and hold the CLOSE button until the door reaches the closed limit. If the CLOSE button is released before the door reaches the closed limit the operator will stop and the procedure will need to be repeated to fully close the door.

TROUBLESHOOTING GUIDE

FAULT	POSSIBLE CAUSE	FIX
A RELAY CLICK IS HEARD WHEN GIVEN A COMMAND SLIGHTLY BEFORE MOTOR MOVEMENT. RELAY LED'S ON BOARD FLASH IN UNISON WITH THE CLICK.	This is normal operation.	➤ No action necessary. See Logic Board Overview (page 27) for more information regarding current sense.
THE OPERATOR WILL NOT RESPOND TO ANY COMMANDS.	a) No power supply.	➤ A) Make sure power is connected to the L1, L2 and L3 terminals. B) Check the motor harness and ensure the motor harness is connected to the correct power connector. C) Check the transformer.
	b) Control station not connected or wired correctly	➤ Use the OPEN, CLOSE and STOP LEDs to help check for correct wiring. Verify the board is accepting commands by using the onboard station. The green LED next to stop button must be illuminated.
	c) Interlock switch is activated.	➤ Check Interlock(s). If more than one external interlock is present they must be wired in series. Green LED next to stop button must be on.
	d) Selector dial still in PROG, OPTN, or DIAG mode.	➤ Set selector dial to the desired wiring type.
	e) Motor is malfunctioning.	➤ Verify proper voltage is being delivered to the motor (Check motor name plate).
	f) Motor thermal overload is tripped.	➤ Check to see if motor is hot. Allow motor to cool before attempting to move door. Cycle operator in constant pressure one full cycle. (OPEN and CLOSE to reset fault)
	g) Possible malfunction of an accessory.	➤ Disconnect all devices, reattach one at a time testing for a failure after each one is replaced.
	h) Power Board may need to be replaced.	➤ When the OPEN or CLOSE button is pressed, Relay A or B LED should illuminate and the door should move in the corresponding direction. If Relay A or B illuminates and the door does not move, the Power Board may need to be replaced.
	i) Possible logic board failure.	➤ Replace logic board.
POWER LED IS NOT ILLUMINATED.	a) Loose secondary wiring connections or a faulty control transformer.	➤ Repair or replace connections or control transformer.
	b) Hoist interlock switch engaged.	➤ Check interlock. Verify the manual release chain is not engaged.
STOP BUTTON LED IS NOT ILLUMINATED.	a) Control station not connected or wired correctly.	➤ Check wiring to control station.
	b) Malfunctioning interlock switch.	➤ Check interlock switch(es) for continuity.
THE DOOR WILL MOVE ABOUT A FOOT AND STOPS. AFTER STOPPING, ONLY CONSTANT PRESSURE COMMANDS WILL MOVE THE DOOR.	a) RPM sensor is not connected properly or is malfunctioning.	➤ Check the RPM assembly for loose connections. Make sure the interrupter cup is turning when operator is running. Check for foreign matter blocking. ➤ Replace RPM sensor.
	b) Clutch is slipping.	➤ Adjust clutch and verify the door is not binding.
THE DOOR WILL MOVE MOST OF THE WAY TOWARDS A LIMIT AND STOP. AN ADDITIONAL OPEN OR CLOSE COMMAND IS ABLE TO GET DOOR TO COMPLETE CYCLE.	The Maximum Run Timer is not set correctly.	➤ Manually reprogram the Maximum Run Timer (page 43) or reset the factory defaults (page 43).
THE DOOR WILL OPEN SOME BUT NOT COMPLETELY. AN EXTRA OPEN IS ABLE TO GET THE DOOR TO OPEN COMPLETELY.	A Mid-Stop may be set.	➤ Check to see if the Mid-Stop LED is on. Clear the Mid-Stop by turning the selector dial to PROG. Press and hold the MID-STOP button for 5 seconds. Return selector dial to desired wiring type.
THE DOOR WILL OPEN BUT WILL ONLY CLOSE AFTER A FIVE SECOND DELAY WITH CONSTANT PRESSURE ON THE CLOSE BUTTON (RESTRICTED CLOSE MODE).	a) The LMEP attached is obstructed or activated.	➤ If the on board LMEP LED is flashing, the photoelectric sensors are misaligned or not connected. Remove any obstructions, check the entrapment protection device wires for continuity and shorts. If more than one LMEP is installed with the use of a CPS3CARD the LMEP will not flash when one of the LMEP's is blocked.
	b) The logic board thinks the direct connect photoelectric sensors are attached and blocked.	➤ Unlearn the photoelectric sensors from the memory by resetting factory defaults.

TROUBLESHOOTING ERROR CODES

Logic 5.0 operators incorporate a self diagnostic feature built into the MAS LED. In addition to indicating when routine maintenance is due, the MAS LED can be used to troubleshoot problems with the operator.

If the MAS LED on the logic board or 3-button control station is flashing on and off rapidly, the Maintenance Alert System has been triggered and service is due on the operator. If the MAS LED flashes 2 or more times in a row followed by a pause, an operator error has occurred. To view the errors, turn the selector dial to DIAG and press the OPEN button. To view the individual error codes (if more than one exists) press CLOSE. It is possible to have more than one error at a time.

Use the chart below to determine the error.

ERROR CODE	DESCRIPTION	SYMPTOM	SOLUTION
1 blink	MAS triggered (cycles or months).	Normal operation.	Reset MAS (page 40).
2 blinks	No RPM input during opening or closing.	The door only responds to constant pressure commands. OR No operator movement for 3-Phase Operator.	Clutch is slipping, adjust clutch, or verify RPM sensor connection or replace RPM sensor. NOTE: To relearn the RPM sensor, move the door with a constant pressure command. The door will stop once relearned and normal operation will resume. OR Replace 3-Phase Power Board.
3 blinks	(MRT) Maximum Run Time has timed out.	The door stops before reaching the desired time.	Check the operator for any faults (e.g., bad limit switch), program the Max Run Timer OR reset to factory defaults.
4 blinks	Obstruction sensed on closing.	Operator will reverse to OPEN position.	Remove obstruction or realign photoelectric sensor.
5 blinks	A button is stuck (longer than 2 minutes).	The control station will not respond.	The control station must be fixed or replaced before it will be recognized as an input.
6 blinks	Invalid option card plugged into option card receptacles.	Option card will not function properly.	Refer to accessories page for list of supported option card(s).
7 blinks	LiftMaster Monitored Entrapment Protection (LMEP) Device faulted or removed for greater than 2 minutes.	Normal operation (5 second constant pressure override required to close).	Cleared when entrapment protection device is cleared or connected.
8 blinks	Brownout Detected - under voltage.	Operator will run as long as enough power is present.	1. Check AC line for voltage. 2. Check transformer secondary for low voltage. Too many accessories may be connected to the transformer.
9 blinks	Power board failure.	No operator movement.	Replace power board.
10 blinks	Operator was not in programming mode when the motor phase jumper was changed.	The phase will not change.	Enter programming mode and move phase jumper to change phase.
11 blinks	Too much voltage supplied to operator - over voltage.	Operator will run as long as a component failure does not occur.	1. Check AC line for voltage. 2. Voltage to be within +/- 10% of intended voltage.
12 blinks (3 Phase Only)	Current sense fault.	Motor moves for limited cycles, then motor no longer moves.	1. Check current sense wiring connection. 2. Cycle operator power after wiring has been corrected. OR Replace 3-Power Power Board

NOTE: Error codes take priority over normal MAS LED operation. Error codes will repeat on the MAS every 1.5 seconds until cleared. There may be more than one error present, but only the highest priority will flash. If the highest error is cleared, the next highest will flash. All errors self-correct when the corrective action is taken. A reset is not needed.

TROUBLESHOOTING RADIO FUNCTIONALITY

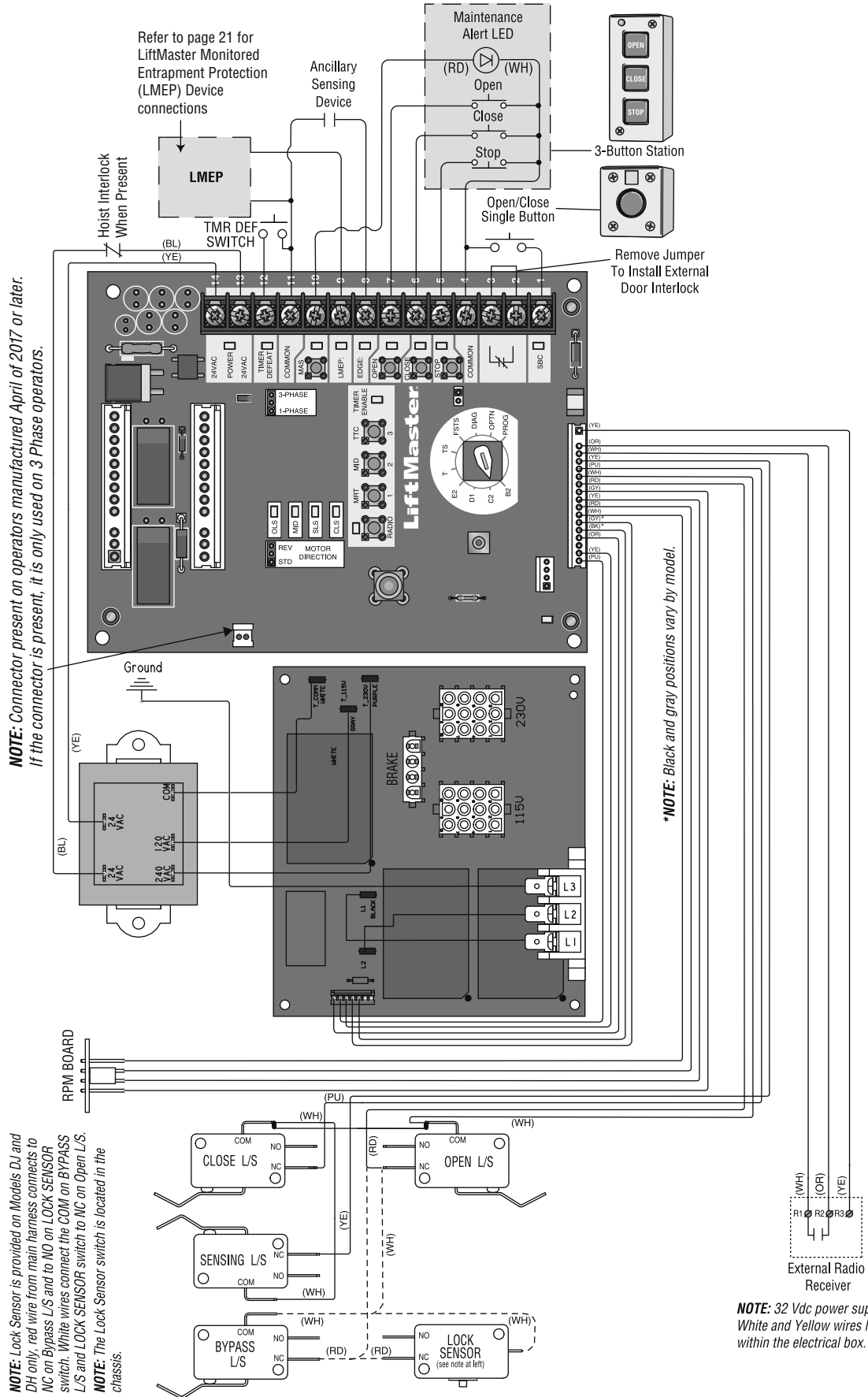
The error codes will display at the radio LED.

NOTE: Radio receiver is compatible with SECURITY+ 2.0® remote controls and keyless entry devices.

ERROR CODE	DISPLAY	SYMPTOM	POSSIBLE PROBLEM	CORRECTION
R1	Quick Flash	No response from the remote control.	Unlearned remote control - A user tries to use a remote control, but the RADIO LED only flashes briefly and there is no response from the operator.	Reprogram the remote control.
R2	No LED activity	No response from the remote control.	Cannot recognize remote control- A weak signal caused by a discharged battery or outside interference with the remote control(s) - OR - the remote control(s) being learned is not compatible with the operator. Antenna not installed or damaged.	Replace battery, eliminate interference, obtain a qualified remote control, or check antenna connections.
R3	Radio LED remains solid for 30 seconds, blinks 3 times, and remains solid for an additional 2.5 minutes.	The remote control was not programmed.	Cannot recognize remote control- A weak signal caused by a discharged battery or outside interference interfering with the learn process - OR - the remote control(s) being learned is not compatible with the operator. Antenna not installed or damaged.	Replace battery, eliminate interference, obtain a qualified remote control, or check antenna connections.
R5	3 blinks	The remote control cannot be programmed.	Duplicate remote control- A user enters RADIO function learning mode and selects the function to be learned. When the remote control button is pressed for learning, a search reveals that remote control is already learned.	This remote control already has a function associated with it. To change the function, erase all learned remote controls and re-learn the desired remote control.
R6	Quick Flash	Door will open but will not close from the remote control.	Cannot close via constant pressure in C2, D1, or E2 modes. No entrapment protection device present - A sensing device is required to close via constant pressure.	None required or change wiring mode.

WIRING DIAGRAMS

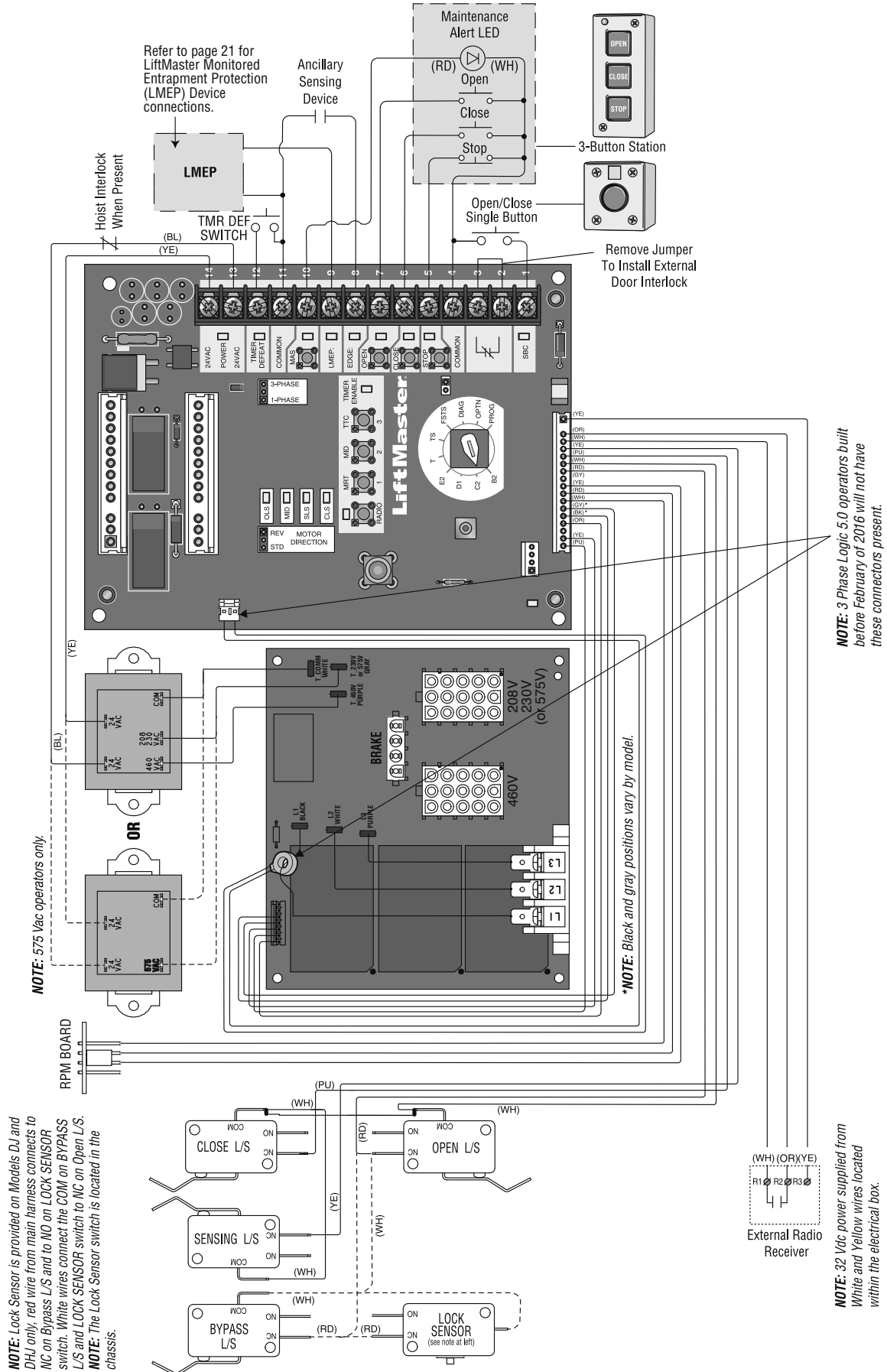
LOGIC (VER. 5.0) 1 PHASE WIRING DIAGRAM



NOTE: Lock Sensor is provided on Models DJ and DH only, red wire from main harness connects to NC on Bypass L/S and to NO on LOCK SENSOR switch. White wires connect the COM on BYPASS L/S and LOCK SENSOR switch to NC on Open L/S. **NOTE:** The Lock Sensor switch is located in the chassis.

NOTE: 32 Vdc power supplied from White and Yellow wires located within the electrical box.

LOGIC (VER. 5.0) 3 PHASE WIRING DIAGRAM - WITH CURRENT SENSING TECHNOLOGY



ACCESSORIES

ENTRAPMENT PROTECTION DEVICES

MONITORED

CPS-U



Dual-Sided Infrared Photo Eyes

- NEMA 1 general purpose enclosure.
- Dual-sided infrared sensors.
- For indoor use.
- Maximum range of 30 feet (9.1 m).

CPS-UN4



Monitored Thru-Beam Photo Eyes

- Heavy-duty housing for industrial applications.
- NEMA 4 enclosure protects against direct spray.
- Dual-sided infrared sensors.
- For indoor/outdoor use.
- Maximum range of 45 feet (13.7 m).

CPS-RPEN4



Monitored Retro-Reflective Photo Eyes

- Polarized reflector for use in applications with highly reflective surfaces.
- NEMA 4X enclosure protects against direct water spray and corrosion.
- Retro-reflective sensor.
- For indoor/outdoor use.
- Maximum range of 50 feet (15 m).

CPS-OPEN4



Monitored Dual-Sided Photo Eyes

- Flexible housings maintain alignment in areas with a high propensity for sensor contact.
- NEMA 4X enclosure protects against direct water spray and corrosion.
- Dual-sided infrared sensors.
- For indoor/outdoor use.
- Maximum range of 45 feet (13.7 m).

Optical Edge System (OES)

OES-SD16



Optical Edge System

16 feet (4.9 m) Sectional 2-Wire Door Edge Kit with infrared optical sensors, rubber door edge and all mounting hardware (channel sold separately).

OES-SD24



Optical Edge System

24 feet (7.3 m) Sectional 2-Wire Door Edge Kit with infrared optical sensors, rubber door edge and all mounting hardware (channel sold separately).

OES-RD16



Optical Edge System

16 feet (4.9 m) Rolling 2-Wire Door Edge Kit with infrared optical sensors, rubber door edge and all mounting hardware (door channel not required).

- Rubber door edge is durable, flexible and easy to install.
- Premium rubber can be cut to length for exact fit.
- NEMA 6 rating protects against moisture and standing water.
- Infrared optical sensors eliminate the need for electrical contacts.
- Maximum range of 33 feet (10 m).
- Sectional and rolling door edges are also available in 50 foot (15 m) bulk rolls, along with individual components for additional savings on large installation jobs.

MONITORED

CPS3CARD



Safety Interface Card

Plug-in Interface card enables use of a second set of monitored photo eyes or edge with a commercial door operator.

CPS-MEI

Edge Interface 2-Wire Monitored

For use with approved 2-wire edges.

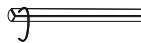
CPS-EI

Edge Interface 4-Wire Monitored

For use with approved 4-wire edges.

NON-MONITORED

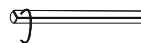
65-8202



Vehicle Detection System:

Pneumatic Sensing Edge Kit with exterior air switch, 2-wire coil cord and 14 foot (4.3 m) air hose.

65-5202



Vehicle Detection System:

Pneumatic Sensing Edge Kit with exterior air switch, 2-wire take-up reel (20 feet [6 m] extended) and 14 foot (4.3 m) air hose.

ACCESSORIES

myQ ACCESSORIES

828LM



LiftMaster® Internet Gateway

Enables owners of Commercial Door Operators to open and close their doors and turn on/off lights in or around their facility using a smart phone or tablet computer from anywhere in the world.

829LM



Garage and Gate Monitor

Monitor open/closed status for up to 4 myQ compatible commercial door openers or gate operators and close them from anywhere in the home.

825LM



Remote Light Control

Automatically control your lights using your commercial door opener, a Security+ 2.0® remote control or a LiftMaster® Internet Gateway. Plugs into any interior outlet.

REMOTE CONTROLS WITH SECURITY+ 2.0® & CONNECTIVITY

811LM



Encrypted DIP Switch Single-Button Remote Control:

Ideal for commercial door applications requiring a large number of remotes for a common space.

813LM



Encrypted DIP Switch Three-Button Remote Control:

Includes Red, Yellow and Green markings which indicates Open, Close, Stop.

877LM



Wireless Keypad:

Able to be programmed with temporary access codes for visitors or delivery personnel.

RADIO

STAR1000



Commercial Access Control Receiver:

Connects up to 1000 LiftMaster® remote controls. Supports suspending and unsuspending remote controls to withhold and reinstate access.

850LM



Universal Receiver:

Featuring Security+ 2.0® technology. Designed for both gated communities and commercial buildings to support and manage multiple access points multiple remote controls.

CONTROL STATIONS

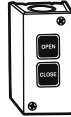
02-101



1-Button Control Station:

Steel enclosure.

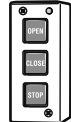
02-102



2-Button Control Station:

Steel enclosure.

02-103L



3-Button Control Station:

Steel enclosure with Maintenance Alert System.

02-110



Key Control Station:

Indoor flush mount, NEMA 1 with Stop button.

02-401



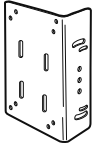
1-Button Indoor Surface Mount Station (NEMA 1)

Provides single button to activate opening one or more commercial doors.

ACCESSORIES

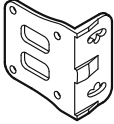
MOUNTING BRACKETS

10-12360



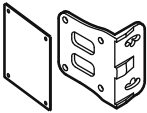
Heavy gauge steel bracket for vertical or horizontal mount on either front or top of coil on a rolling door. Has a variety of mounting hole patterns compatible with many OEM manufacturers. For use with J, H, DJ, and DH operators. May be welded.

08-9098



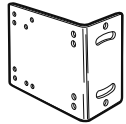
Cast iron bracket to mount J, H, DH, DJ, and GH side mount operators on end bracket of a rolling door or grill. For vertical or horizontal mount on either front or top of coil. Cannot be welded.

08-9098EZ



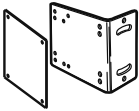
Same as 08-9098, but with adapter plate to hold mounting bolts in place for easy mounting.

1A4324



Heavy gauge steel bracket for vertical or horizontal mount on either front or top of coil on a rolling door. May be welded. For use with J, H, DJ, and DH operators.

1A4324EZ



Same as 1A4324, but with adapter plate to hold mounting bolts in place for easy mounting.

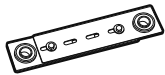
CHAIN TENSIONERS For Jackshaft Type Operators

71-6023

For 1" (2.5 cm) shafts. Recommended to properly tension drive chain between operator shaft and door shaft.

71-6125

Same as 71-6023, but for 1-1/4" (3.2 cm) shafts.



OPTION CARDS

TLS1CARD

Timer Light Status Card:

The TLS option card provides special functionality to activate and flash auxiliary devices such as lights, bells, and horns/strobes at various door positions, and to provide special timer functions.

AUXCARD

Auxiliary Contact Card:

The Auxiliary Contact option card has both Normally-Open and Normally-Closed contacts that actuate when the door is idle, opening, or closing.

ADDITIONAL CONTROL ACCESSORIES

86LM (15' [4.6 m]) 86LMT (25' [7.6 m])



Antenna Extension Kit:

The antenna extension kit can be used with EXT-ANT for maximum radio receiver range.

RGL24LY



Red/Green Traffic Light:

Indicates when a commercial door reaches the open position. Provides assurance of safe entering and exiting of the facility, reducing the potential for costly accidents. (TLS1CARD is recommended)

50-HERK2



Motion Detector 24V

Microwave motion detector with two independently programmable channels.

50450



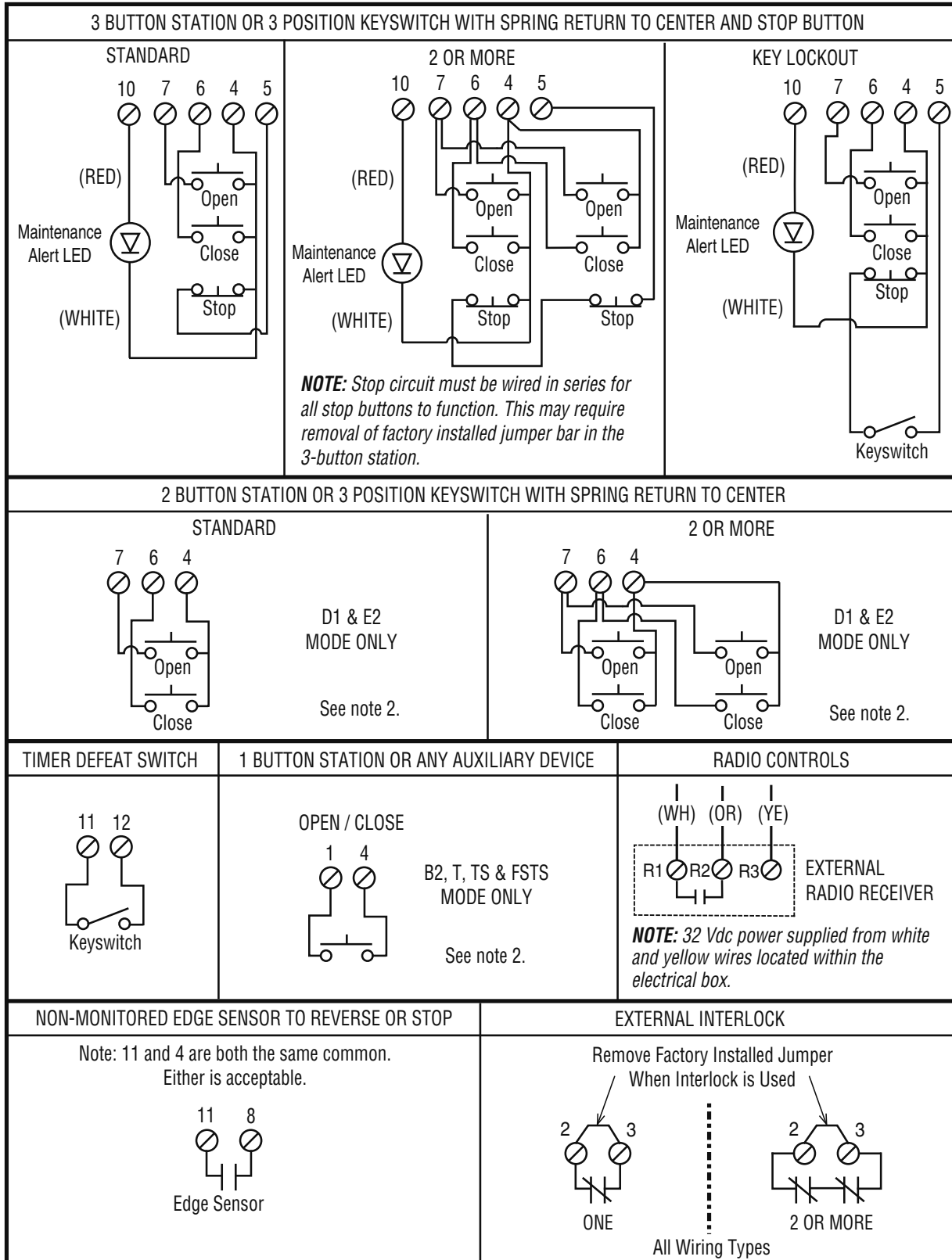
Switch Sectional Door Interlock

NEMA 4 switch disables operator control circuit when door is locked preventing electrical operation of the door.

CONTROL CONNECTION DIAGRAM

IMPORTANT NOTES:

1. The 3-Button Control Station provided must be connected for operation.
2. If a STOP button is not used, a jumper must be placed between terminals 4 and 5.
3. When adding accessories, install them one at a time and test each one after it is added to ensure proper installation and operation with the Commercial Door Operator.



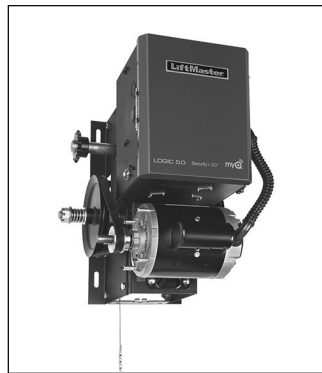
Actionneur de porte commerciale Logic 5.0

MANUEL D'INSTALLATION

Security+ 2.0®

myQ

Modèles T, APT, H, J, HJ, GH, et GT



N'EST PAS DESTINÉ À UNE UTILISATION RÉSIDENNELLE

- Lire au complet ce manuel et la documentation de sécurité qui l'accompagne avant d'installer ou d'utiliser l'actionneur.
- Ce produit doit être exclusivement installé et entretenu par un technicien dûment formé sur les systèmes de porte.
- Un dispositif surveillé de protection contre le piégeage avec surveillance LiftMaster (LMEP) est EXIGÉ pour les types de câblage B2, T, TS et FSTS.
- Après avoir complété l'installation, tester le ou les dispositifs de protection contre le piégeage avant de placer l'actionneur en service actif.
- Ces actionneurs sont compatibles avec les accessoires myQ® et Security+ 2.0®.

GARANTIE DE 2 ANS

No de série _____

Date d'installation _____



LiftMaster
300 Windsor Drive
Oak Brook, IL 60523

LiftMaster®

CONNECTIVITÉ

- La technologie myQ permet de surveiller de manière sécurisée et de commander des actionneurs Logic 5.0 et autres accessoires myQ avec un téléphone intelligent, une tablette ou un ordinateur.
- Il est possible de recevoir des alertes par courriel ou par notification poussée sur un appareil mobile, de manière à toujours connaître le statut d'une porte commerciale.
- L'application myQ Mobile peut être téléchargée gratuitement et n'exige aucuns frais annuels d'activation.

SÉCURITÉ

- Security+ 2.0® – à chaque pression du bouton, un nouveau code est envoyé à l'actionneur de porte commerciale, garantissant ainsi qu'une porte s'ouvrira uniquement pour la télécommande programmée.

La norme UL 325 exige que tous les mécanismes d'ouverture de porte commerciale soient à pression constante pour la fermeture ou équipés d'un dispositif externe surveillé de protection primaire contre le piégeage.

LiftMaster® est une marque phare d'ouvre-portes et d'autres produits commerciaux de commande d'accès à installation professionnelle destinés aux entreprises du monde entier. Nous nous sommes engagés à offrir des produits de qualité, des concepts novateurs et des services complets qui dépassent les attentes de notre clientèle.

SÉLECTION DE TENSION

TENSION	PHASE	CHAMP SÉLECTIONNABLE
115V	1 Phase	OUI
208V	3 Phase	OUI
230V	1 et 3 Phase	OUI
460V	3 Phase	OUI
575V	3 Phase	NON

TABLE DES MATIÈRES

INFORMATIONS DE SÉCURITÉ	3	RÉGLAGES	22-23
OUVRE-PORTES À CHARIOT	4-12	Réglage de fin de course	22
Contenu de l'emballage	4	Réglage de l'embrayage (Modèles d'ouvre-portes à courroie d'entraînement)	23
Spécifications de l'ouvre-porte	4-6	TEST	24
ASSEMBLAGE	7-9	DÉGAGEMENT MANUEL	25-26
Assemblage de l'ouvre-porte (Modèles T et GT)	7	Système de déconnexion d'urgence Modèles GT et T	25
Installation de la chaîne (Modèles T et GT)	8	Système de déconnexion d'urgence Modèle APT	25
Assemblage de l'ouvre-porte (Modèle APT)	9	Système de déconnexion d'urgence Modèles H, GH, J, et HJ	26
INSTALLATION TYPIQUE	10-12	PROGRAMMATION	27-34
Pose du support de linteau	10	Introduction à la programmation	27
Fixation du rail au support de linteau	11	Détermination et configuration du type de câblage	28-37
Suspension de l'ouvre-porte	11	Configuration myQ	38
Fixation du bras de porte	12	Programmation des télécommandes	38-40
OUVRE-PORTES À PALAN ET À ARBRE SECONDAIRE	13-17	Système d'alerte d'entretien (MAS)	40
Contenu de l'emballage	13	Minuterie de fermeture	41
Spécifications de l'ouvre-porte	13-14	Ouverture à mi-course	42
ASSEMBLAGE	16	Mode Concessionnaire automobile	42
Assemblage de l'ouvre-porte	16	Minuterie de fonctionnement maximal (MRT)	43
INSTALLATION TYPIQUE	16-17	Restauration des valeurs d'usine par défaut - Effacement de la mémoire	43
Détermination de l'emplacement de montage	16	ENTRETIEN	44
Montage	17	Périodicités d'entretien	44
Installation de la déconnexion manuelle	17	Fonction de durée de vie de l'ouvre-porte	44
CÂBLAGE	18-19	Comment commander les pièces de rechange	44
Alimentation et mise à la terre	18	DÉPANNAGE	45-48
Sélection de tension	18	Fiche diagnostique	45
Station de commande	19	Guide de dépannage	46
PROTECTION CONTRE LE PIÉGEAGE	20-22	Codes d'erreur de dépannage	47
Protection contre le piégeage avec surveillance LiftMaster (LMEP)	20	Fonctionnalité de dépannage par radio	48
Installation des dispositifs de protection contre le piégeage avec surveillance LiftMaster (LMEP) (facultative)	21	SCHÉMAS DE CÂBLAGE	49-50
Câblage des dispositifs de protection contre le piégeage avec surveillance LiftMaster (LMEP)	21	Logic 5.0 Schéma de câblage 1 phase	49
		Logic 5.0 Schéma de câblage 3 phases	50
		ACCESSOIRES	51-53
		SCHÉMA DE CONNECTIONS DE COMMANDE	54

INFORMATIONS DE SÉCURITÉ

AVERTISSEMENT

Mécanique

AVERTISSEMENT

Électrique

ATTENTION

Lorsque vous verrez ces symboles de sécurité et ces mots-indicateurs sur les pages suivantes, ils vous aviseront de la possibilité de **blessures graves** ou **mort** si vous ne vous conformez pas aux avertissements qui les accompagnent. Le danger peut être de source mécanique ou provenir d'un choc électrique. Lisez attentivement les avertissements.

Lorsque vous verrez ce mot-indicateur sur les pages suivantes, il vous alertera de la possibilité de dommage à la porte et/ou à l'ouvre-porte si vous ne vous conformez pas aux avertissements l'accompagnant. Lisez-les attentivement.

REMARQUES IMPORTANTES :

- **AVANT** de tenter d'installer, de faire fonctionner ou d'assurer l'entretien de l'actionneur de porte commerciale, il faut lire et comprendre intégralement ce manuel et suivre toutes les instructions de sécurité.
- **NE PAS** tenter de réparer ou d'entretenir un actionneur de porte commerciale à moins d'être un technicien d'entretien agréé.
- Un actionneur de porte commerciale doit être installé uniquement sur une porte bien équilibrée. S'assurer que la porte est bien équilibrée avant l'installation.

PROTECTION CONTRE LE PIÉGEAGE :

Protection contre le piégeage avec surveillance LiftMaster (LMEP)

Des capteurs photoélectriques et/ou des capteurs d'arête contrôlés sont nécessaires pour établir tout contact momentané afin de désactiver les modes d'opération. Consultez les pages 20 et 21 pour de l'information supplémentaire. Pour les options offertes, référez-vous à section « Dispositifs de protection contre le piégeage » de la page 51.



AVERTISSEMENT : Ce produit peut vous exposer à des produits chimiques comme le plomb, reconnu par l'État de la Californie comme cause de cancers, d'anomalies congénitales et d'autres problèmes liés à la reproduction. Pour plus d'informations, visitez www.P65Warnings.ca.gov.

INSTRUCTIONS IMPORTANTES CONCERNANT L'INSTALLATION

AVERTISSEMENT

POUR RÉDUIRE LE RISQUE DE BLESSURES GRAVES, VOIRE MORTELLES :

1. LIRE ET SUIVRE TOUS LES AVERTISSEMENTS ET TOUTES LES INSTRUCTIONS D'INSTALLATION.
2. L'ouvre-porte doit SEULEMENT être installé sur une porte correctement équilibrée et graissée. Une porte mal équilibrée peut NE PAS inverser sa course en cas de besoin et peut être à l'origine de BLESSURES GRAVES, voire MORTELLES.
3. TOUTES les réparations aux câbles, ensembles de ressort et autres ferrures de montage DOIVENT être confiées à un technicien formé en systèmes de porte AVANT l'installation de l'ouvre-porte.
4. Désactiver TOUTES les serrures et retirer TOUTES les cordes raccordées à la porte de garage AVANT d'installer l'ouvre-porte afin d'éviter un emmêlement.
5. Installer un actionneur à une hauteur d'au moins 2,44 m (8 pi) du sol.
6. Ne JAMAIS raccorder l'ouvre-porte de garage à une source de courant avant d'avoir reçu l'instruction de le faire.
7. Ne JAMAIS porter de montres, bagues ou vêtements amples durant l'installation ou l'entretien de l'ouvre-porte. Ils pourraient être happés par la porte de garage ou les mécanismes de l'ouvre-porte.
8. Installation de la station de commande :
 - bien en vue de la porte de garage.
 - hors portée des jeunes enfants à une hauteur d'au moins 1,5 m (5 pi) du sol, des paliers, des marches ou de toute autre surface adjacente sur laquelle on marche.
 - à l'écart de TOUTES les pièces mobiles de la porte.
9. Installer la station de commande suffisamment loin de la porte afin d'éviter à l'utilisateur d'entrer en contact avec celle-ci lors de l'utilisation des commandes.
10. Installer le placard d'avertissement contre le piégeage sur le mur adjacent à la station de commande sur un emplacement parfaitement visible depuis la porte.
11. Placer l'étiquette de tests d'inversion de sécurité/d'ouverture manuelle bien en vue à l'intérieur de la porte de garage.
12. Une fois l'installation terminée, veuillez tester le dispositif de protection contre le piégeage.
13. Cet opérateur de porte n'est pas prévu pour remplacer des serrures de porte. En exerçant une force suffisante, une porte sans serrure peut être ouverte. LiftMaster recommande en tout temps d'utiliser des serrures de porte pour sécuriser adéquatement une porte.
14. **CONSERVER CES INSTRUCTIONS.**

OUVRE-PORTES À CHARIOT

CONTENU DE L'EMBALLAGE

Avant de commencer votre installation, vérifier que tous les composants ont été fournis.

DESCRIPTION

Ensemble d'actionneur

Manuel d'installation et étiquettes de précaution

Boîte de quincaillerie (comprend les fixations, les entretoises de rail, le chariot, l'assemblage de bras de porte, la poulie libre avant et le support de montage de linteau)

Station de commande à 3 boutons avec MAS DEL

Protection contre le piégeage avec surveillance LiftMaster (**LMEP**)*

Chaîne d'entraînement du chariot : No 48 pour 1/3 et 1/2 HP, No 41 pour 3/4 HP et plus (tous les modèles GT)

REMARQUE : Les rails sont expédiés séparément.

* Basé sur la commande du client.

** Des accessoires supplémentaires peuvent être inclus.

SPÉCIFICATIONS DE L'OUVRE-PORTE

CONNEXIONS BITENSION

Pour plus de souplesse, l'installateur peut sélectionner la tension requise, dans la phase, afin de satisfaire aux exigences du site.

MODÈLE	TENSION					HZ	HP					PHASE	
	115V	208V	230V	460V	575V		1/3	1/2	3/4	1	1-1/2	1	3
APT	•		•			•		•				•	
T	•	•	•	•	•	•	•	•	•	•		•	•
GT	•	•	•	•	•	•		•	•	•	•	•	•

TYPE : Service continu

ÉLECTRIQUE

TRANSFORMATEUR : 24Vca secondaire

STATION DE COMMANDE :

Poste de commande à trois boutons d'usage général NEMA 1 (ouverture/fermeture/arrêt avec DEL MAS)

TYPE DE CÂBLAGE : C2 (Standard), B2, T, TS, D1, E2 et FSTS. Voir page 28 pour types de câblages et modes de fonctionnement en option.

FREIN : Standard sur les modèles APT et GT, et sur les modèles T munis d'un 3/4 à 1 HP. En option sur les modèles T de 1/2 HP, non offert sur les modèles T de 1/3 HP.

DÉCONNEXION : Bras de porte à déconnexion rapide pour fonctionnement manuel d'urgence de la porte.

MÉCANIQUE

RÉDUCTION D'ENTRAÎNEMENT :

Modèle APT Courroie en V 5L de premier étage pour service intensif; chaîne no 41 de deuxième et troisième étages; chaîne de sortie no 48 sur chariot.

Modèle T Courroie en V 5L de premier niveau pour service intensif; chaîne no 41 de deuxième étage; chaîne de sortie no 48 (pour 1/3 et 1/2 HP) et no 41 (pour 3/4 et 1 HP) sur chariot.

Modèle GT Rapport de démultiplication de 10:1 au premier étage à l'aide d'engrenages à bain d'huile pour service intensif; boîtier en fonte; chaîne no 41 de deuxième étage; chaîne de sortie no 41 sur chariot.

VITESSE DE L'AXE DE SORTIE :

Modèle APT: 96 tr/min

Modèle GT: 113.5 tr/min

Modèle T: 140 tr/min

VITESSE DE LA PORTE (NON AJUSTABLE) :

Modèle APT: 15 à 18 cm (6-7 po) par seconde

Modèle GT: 28 à 30,5 cm (11-12 po) par seconde

Modèle T: 28 à 30,5 cm (11-12 po) par seconde

RÉGLAGE DE FIN DE COURSE :

À entraînement linéaire avec écrous de réglage de limite de course jusqu'à 7,3 m (24 pi).

ROULEMENTS :

Modèles APT et T - Roulements à billes industriels sur l'arbre de sortie, coussinets à l'huile pour service intensif sur les arbres de réduction.

Modèle GT - Roulements à rouleaux scellés dans le démultiplicateur. Roulements à billes industriels à montage à bride sur l'arbre d'entraînement.

SPÉCIFICATIONS DE L'OUVRE-PORTE

ZONE DE PORTE MAXIMALE (PI2)

MODÈLE T						
SECTIONNEL STANDARD	---	Acier 24 ga. 22 ga.	Acier 20 ga.	Acier 16 ga.	---	---
	Porte fibre de verre	Portes Alum.	Portes Bois	---	---	---
	---	---	Acier Isol. 24 ga.	Acier Isol. 20 ga.	Acier Isol. 16 ga.	---
HP	1/3	310	285	260	175	125
	1/2	400	350	320	250	200
	3/4	560	500	450	325	275
	1	640	625	560	400	310

REMARQUE : Sur les portes isolées en acier, un panneau arrière de calibre 24 est présumé. Si un panneau arrière plus lourd est fourni, utiliser le modèle supérieur suivant en termes de capacité (HP). Cycles de service recommandés : jusqu'à 25 par heure, plus de 80 à 90 par jour.

MODÈLE APT				
SECTIONNEL STANDARD	Acier 24 ga. 22 ga.	Acier 20 ga.	Acier 16 ga.	---
	Portes Alum.	Portes Bois	---	---
	Porte fibre de verre	Acier Isol. 24 ga.	Acier Isol. 20 ga.	Acier Isol. 16 ga.
PI2	250	225	150	100

REMARQUE : Sur les portes isolées en acier, un endos de calibre 24 est présumé. Cycles d'utilisation recommandés : Pour les applications exigeant plus de 100 cycles par jour.

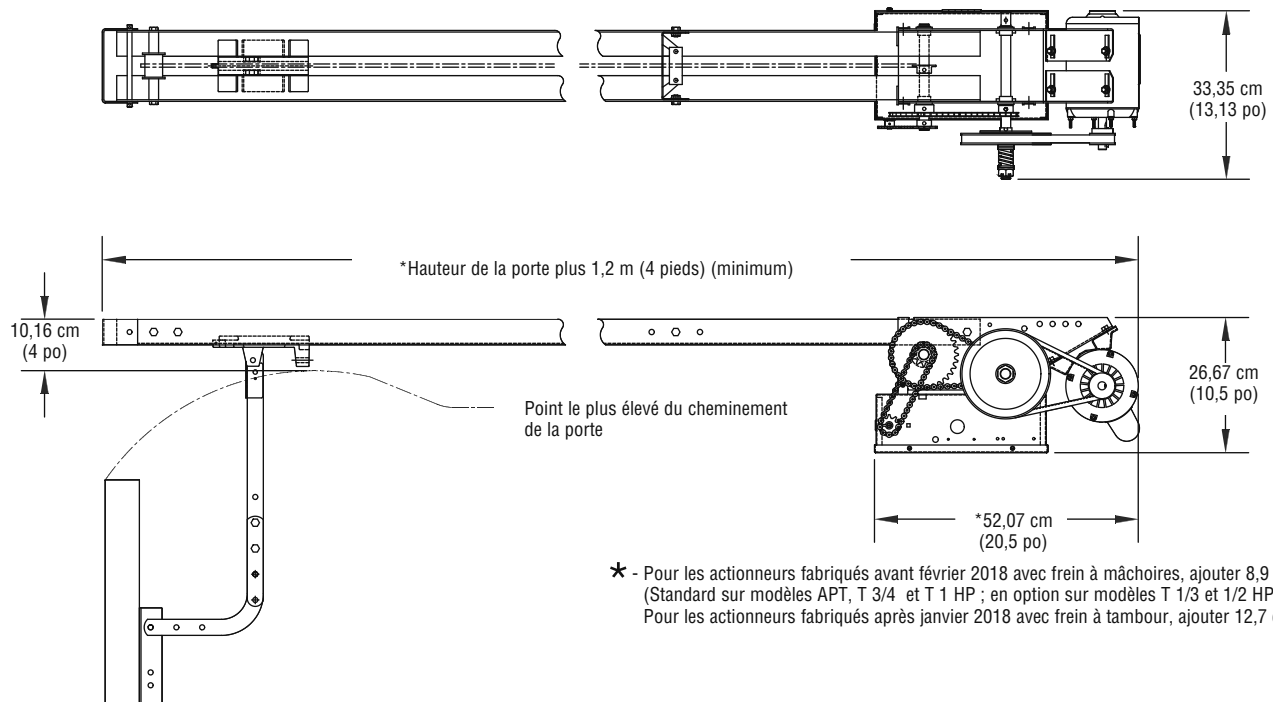
MODÈLE GT						
SECTIONNEL STANDARD	---	Acier 24 ga. 22 ga.	Acier 20 ga.	Acier 16 ga.	---	---
	Porte fibre de verre	Portes Alum.	Portes Bois	---	---	---
	---	---	Acier Isol. 24 ga.	Acier Isol. 20 ga.	Acier Isol. 16 ga.	---
HP	1/2	400	350	320	250	200
	3/4	560	500	450	325	250
	1	625	575	500	400	300
	1-1/2	---	625	550	475	380

REMARQUE : Sur les portes isolées en acier, un endos de calibre 24 est présumé. Si un panneau arrière plus lourd est fourni, utilisez le modèle supérieur suivant en termes de capacité (HP). Cycles d'utilisation recommandés : Jusqu'à 25 par heure, plus de 90 par jour.

POIDS ET DIMENSIONS

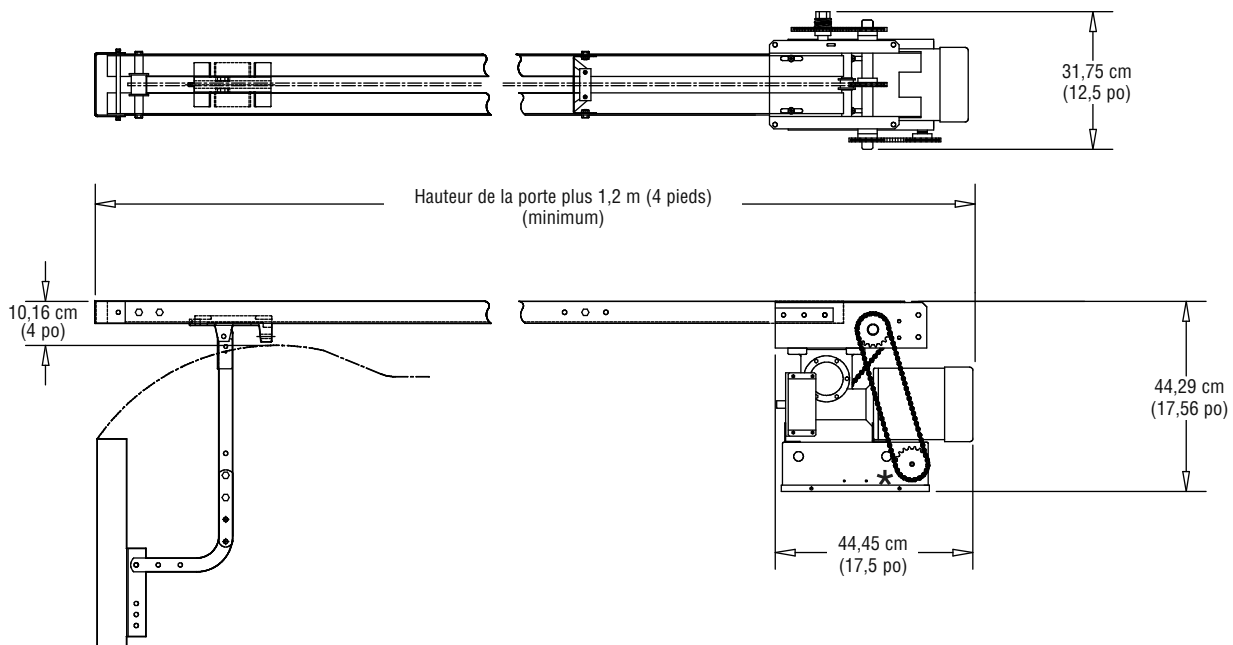
MODÈLES T ET APT

Poids suspendu : 80-110 lb



MODÈLE GT

Poids suspendu : 140 lb



ASSEMBLAGE

ASSEMBLAGE DE L'OUVRE-PORTE (MODÈLES T ET GT)

REMARQUE : Pour l'assemblage du Modèle APT, se référer à la page 9.

- 1** Installer à intervalles réguliers les entretoises de rails sur toute la longueur du rail. Fixer les entretoises au rail avec les boulons (A) et les écrous hexagonaux à embase (B).

ESPACEURS FOURNIS	LONGUEUR DU RAIL
2	2,4-4,2 m (8-14 pi)
3	4,9-6,1 m (16-20 pi)
4	6,7-7,3 m (22-24 pi)

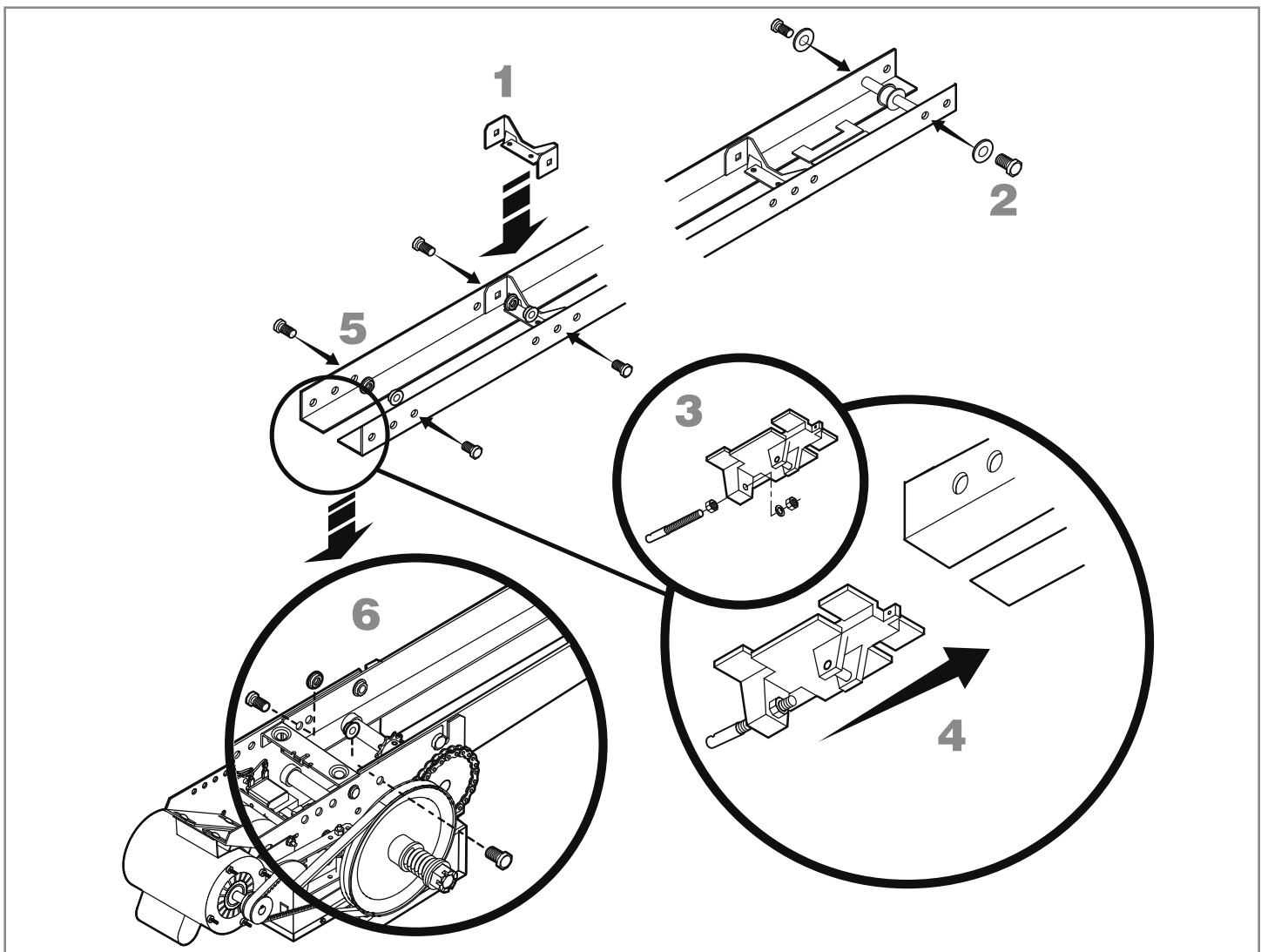
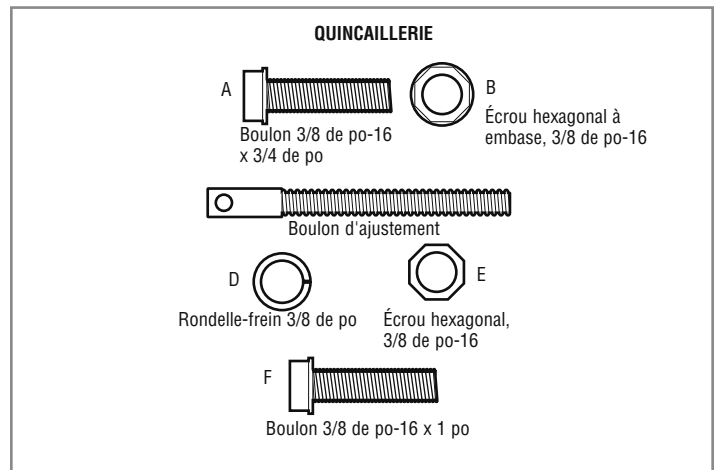
- 2** Installer la poulie libre avant au rail avec les boulons (F) et les rondelles (D).

- 3** Assembler le chariot avec le boulon d'ajustement (C), les écrous hexagonaux (E), et les rondelles-frein (D).

- 4** Faites glisser le chariot sur le rail.

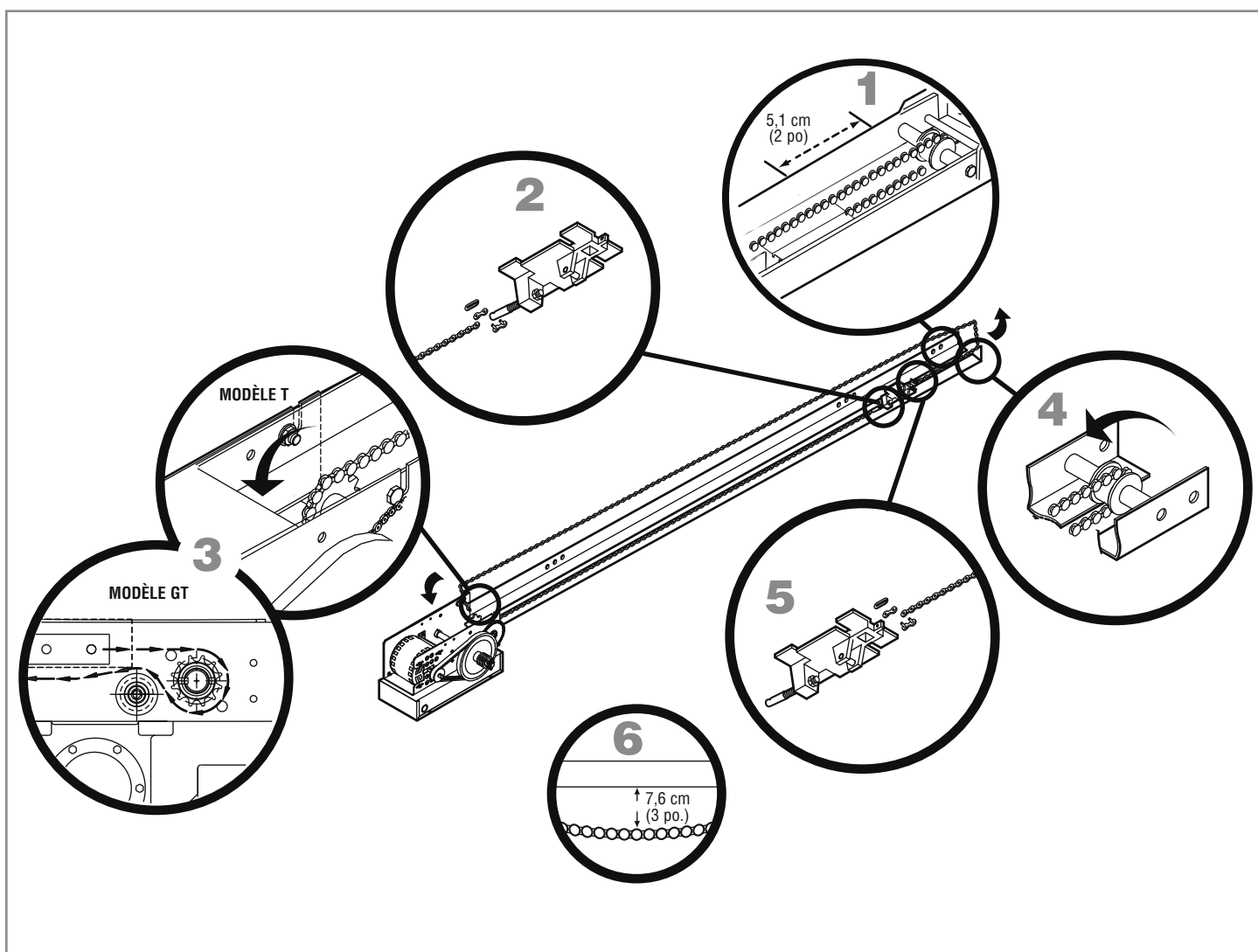
- 5** Insérer les boulons (A) dans le bout du rail et visser les écrous (B) sans serrer sur les bouts des boulons.

- 6** Glisser les boulons (A) sur le bout de l'ensemble de rail dans la fente « L » de l'ouvre-porte et serrer les écrous (B). Insérer les boulons (A) dans les trous sur le bout du rail et l'ouvre-porte. Fixer le rail avec les écrous (B).



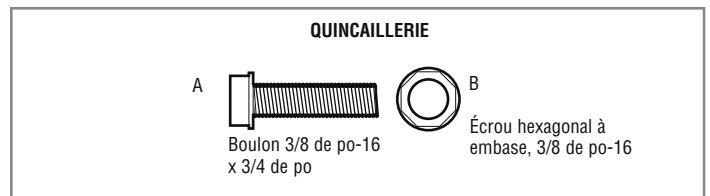
INSTALLATION DE LA CHAÎNE (MODÈLES T ET GT)

- 1** Placer le chariot à 5,1 cm (2 po) de la poulie libre avant.
- 2** Fixer la chaîne à l'arbre fileté du chariot à l'aide de la maille maîtresse.
- 3** Placer la chaîne le long du rail de l'ouvre-porte. Enrouler la chaîne autour du pignon d'entraînement de l'ouvre-porte.
- 4** Placer la chaîne le long du rail vers la poulie libre avant. Enrouler la chaîne autour de la poulie libre avant.
- 5** Fixer la chaîne à l'avant du chariot à l'aide de la maille maîtresse.
- 6** Resserrer la chaîne jusqu'à ce que la chaîne pende d'environ 7,6 cm (3 po) au point milieu du rail.

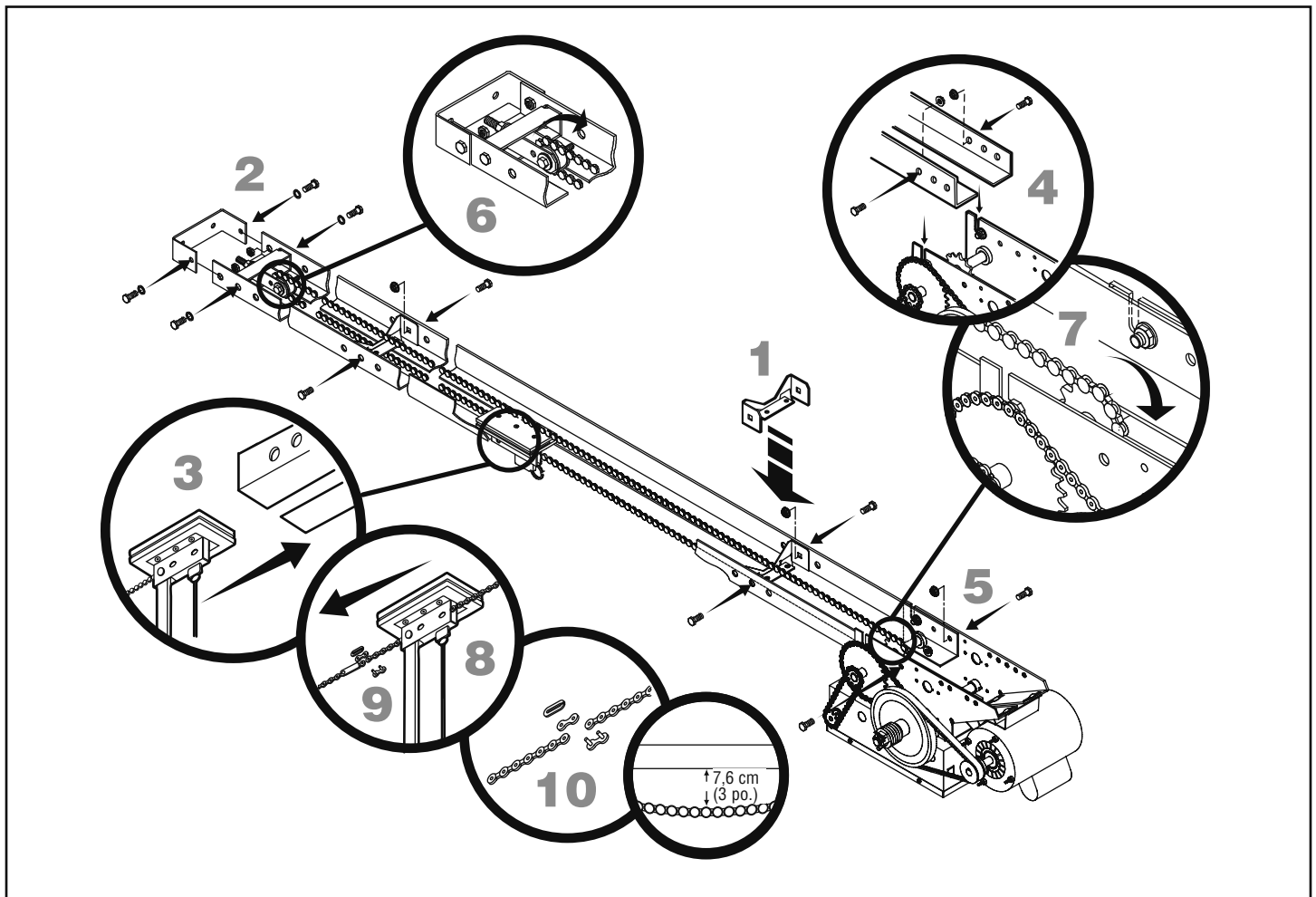


ASSEMBLAGE DE L'OUVRE-PORTE (MODÈLE APT)

- 1** Installer à intervalles réguliers les entretoises de rails sur toute la longueur du rail. Fixer les entretoises au rail avec les boulons (A) et les écrous hexagonaux à embase (B).
- 2** Installer les poulies libres avant dans le deuxième ensemble de trous au bout du rail avec les boulons (A) et les écrous (B).
- 3** Glisser le chariot sur le rail afin que le trou du bras de porte soit face à l'avant (vers la porte).
- 4** Insérer les boulons (A) dans le bout du rail et visser les écrous (B) sans serrer sur les bouts des boulons. Glisser les boulons (A) sur le bout de l'ensemble de rail dans la fente « L » de l'ouvre-porte et serrer les écrous (B).
- 5** Insérer les boulons (A) dans les trous sur le bout du rail et l'ouvre-porte. Fixer le rail avec les écrous (B).
- 6** Placer la chaîne le long du rail vers la poulie libre avant. Enrouler la chaîne autour de la poulie libre avant.
- 7** Placer la chaîne le long du rail de l'ouvre-porte. Enrouler la chaîne autour du pignon d'entraînement de l'ouvre-porte.



- 8** Tirer la clip de dégagement sur le chariot et pousser l'extrémité de la chaîne à travers la fente dans le chariot.
- 9** Fixer un extrémité de la chaîne à la maille d'entraînement à l'aide de la maille maîtresse.
- 10** Fixer l'autre extrémité de la chaîne à l'extrémité libre de la maille d'entraînement à l'aide de la maille maîtresse en s'assurant que la chaîne a la bonne tension (la chaîne devrait pendre d'environ 5,1 cm (3 pouces) au point milieu du rail). La chaîne devra être coupée pour s'ajuster correctement. Le boulon d'ajustement peut être serré ou desserré pour ajuster le mou de la chaîne. Glisser le chariot d'arrière en avant dépassé la chaîne d'entraînement pour s'assurer qu'il n'y a pas de blocage.



INSTALLATION TYPIQUE

INSTALLER LE SUPPORT DE LINTEAU

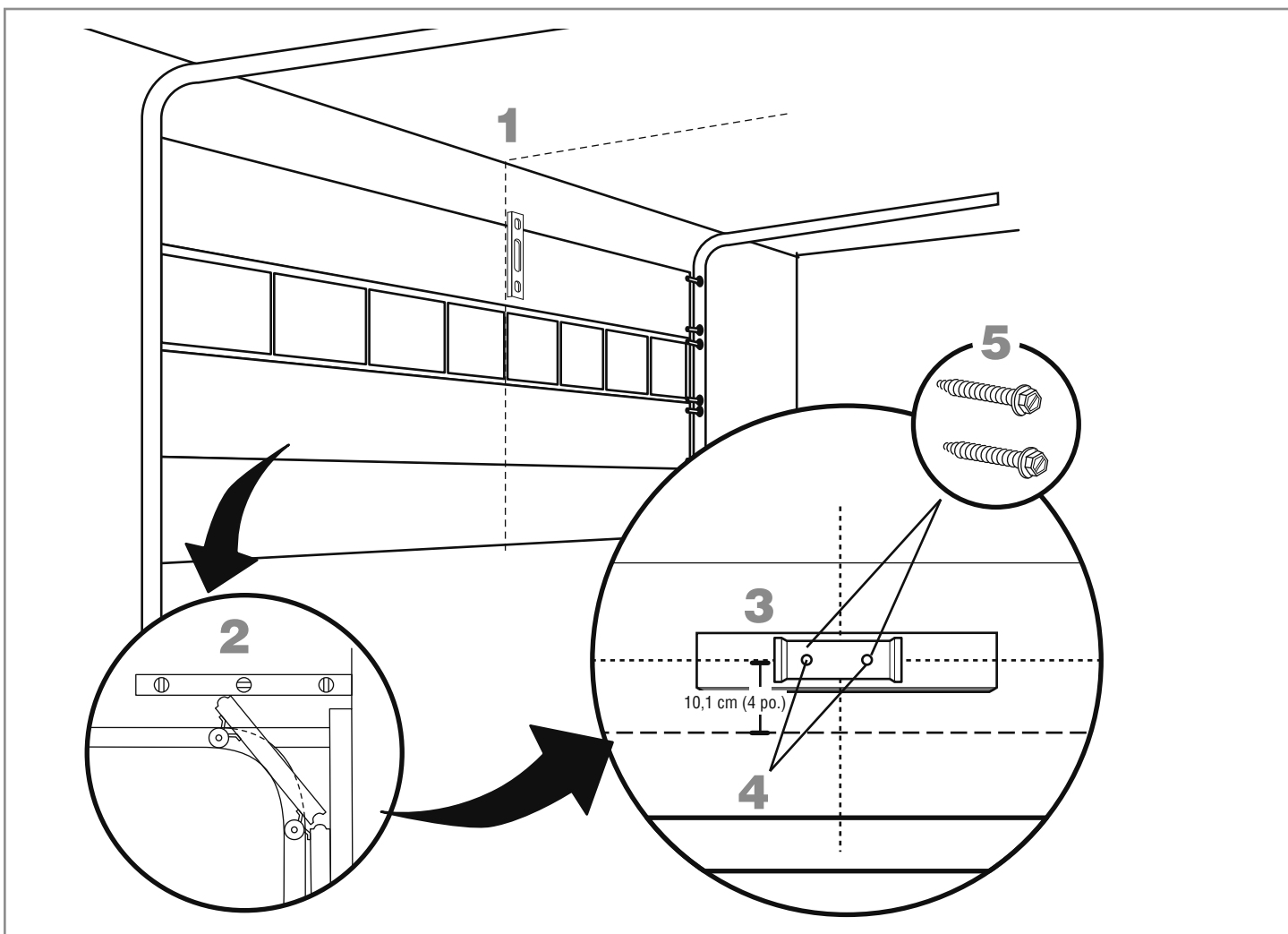
L'ouvre-porte à chariot est généralement monté au-dessus du centre de la porte. Cependant, un montage hors centre peut être nécessaire à cause de structures qui interfèrent ou de la position du montant d'entrée/du support de section supérieure. Habituellement, l'ouvre-porte peut être monté jusqu'à 60,1 cm (24 pouce) hors centre sur les portes à ressort de torsion. Les ressort de traction exigent un montage central.

- 1** Fermer la porte. Marquer le centre de la porte avec une ligne verticale, étendre la ligne jusqu'au plafond.
- 2** Ouvrir la porte jusqu'au point le plus haut de la marque de course 10,1 cm (4 pouces) au-dessus du point le plus élevé de la course.
- 3** Centrer le support de linteau sur la ligne centrale verticale et la ligne horizontale.
- 4** Percer les avant-trous pour le support de linteau.
- 5** Fixer le support de linteau avec la quincaillerie appropriée (non fournie).

⚠ AVERTISSEMENT

Pour empêcher une BLESSURE GRAVE ou une MORT possible :

- Le support de linteau **DOIT** être fixé **RIGIDEMENT** au support de structure sur le linteau ou le plafond, sinon la porte pourrait **NE PAS** inverser sa course lorsque nécessaire. **NE PAS** installer le support de linteau sur une cloison sèche.
- Des ancrages à béton **DOIVENT** être utilisés si le support de linteau ou des 2x4 sont installés dans la maçonnerie.
- **NE JAMAIS** essayer de desserrer, déplacer ou ajuster la porte, les ressorts, les câbles, les poulies les supports ou leur quincaillerie, qui sont **TOUS** sous une **EXTRÊME** tension.
- Faire **TOUJOURS** appel à un technicien d'entretien agréé si la porte reste grippée, colle ou si elle est déséquilibrée.



FIXER LE RAIL AU SUPPORT DE LINTEAU ET SUSPENDRE L'OUVRE-PORTE

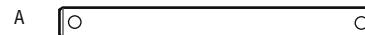
- 1 Aligner le rail avec la support de linteau.
- 2 Insérer le pivot à travers les trous du rail et du support de linteau. Fixer avec les fixations.
- 3 Faire pivoter l'ouvre-porte vers le haut et s'assurer que l'ouvre-porte est au niveau.
- 4 Fixer l'ouvre-porte à l'aide des fixations et de la quincaillerie de verrouillage appropriées pour supporter le poids de l'ouvre-porte.

ATTENTION

Pour éviter une BLESSURE GRAVE possible causée par un ouvre-porte qui tombe :

- Fixer SOLIDEMENT l'ouvre-porte aux supports de structure du bâtiment.
- Des ancrages à béton DOIVENT être utilisés si des supports sont installés dans de la maçonnerie.

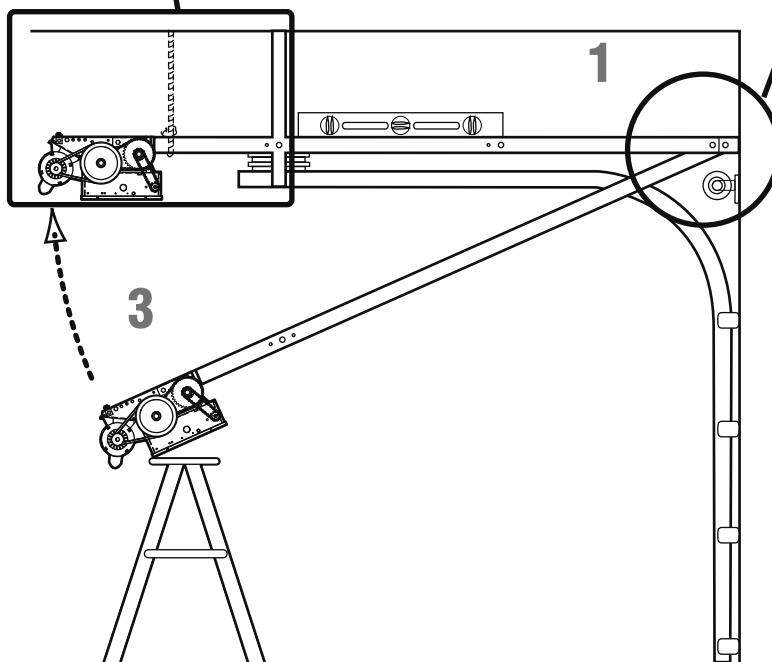
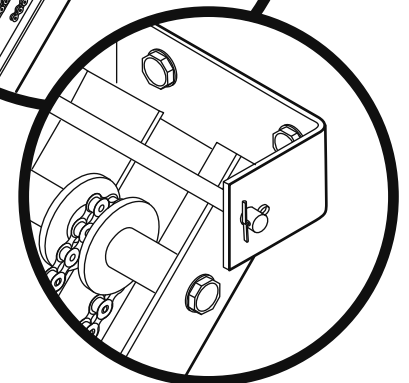
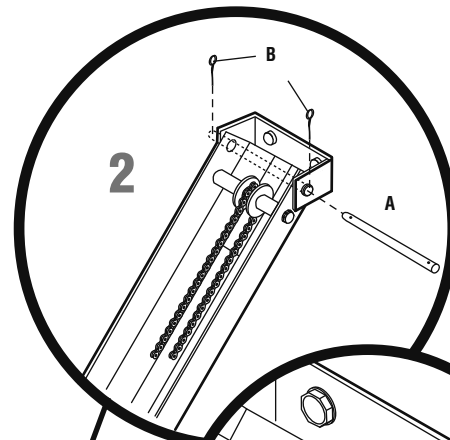
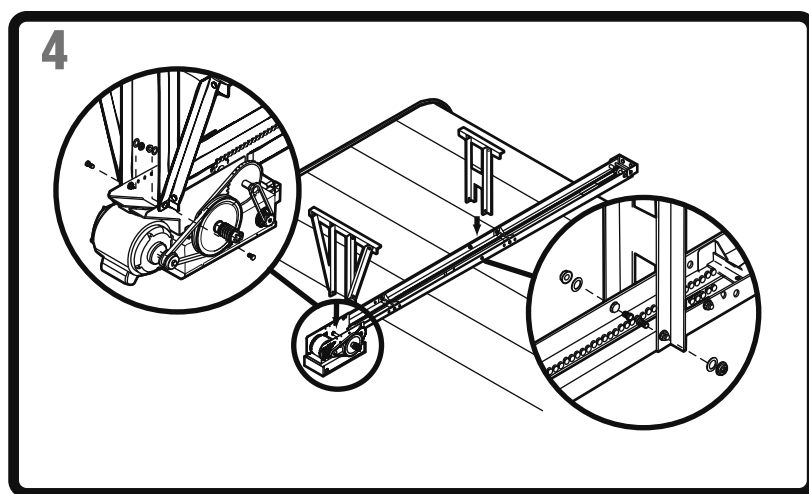
QUINCAILLERIE



Axe de chape (1)

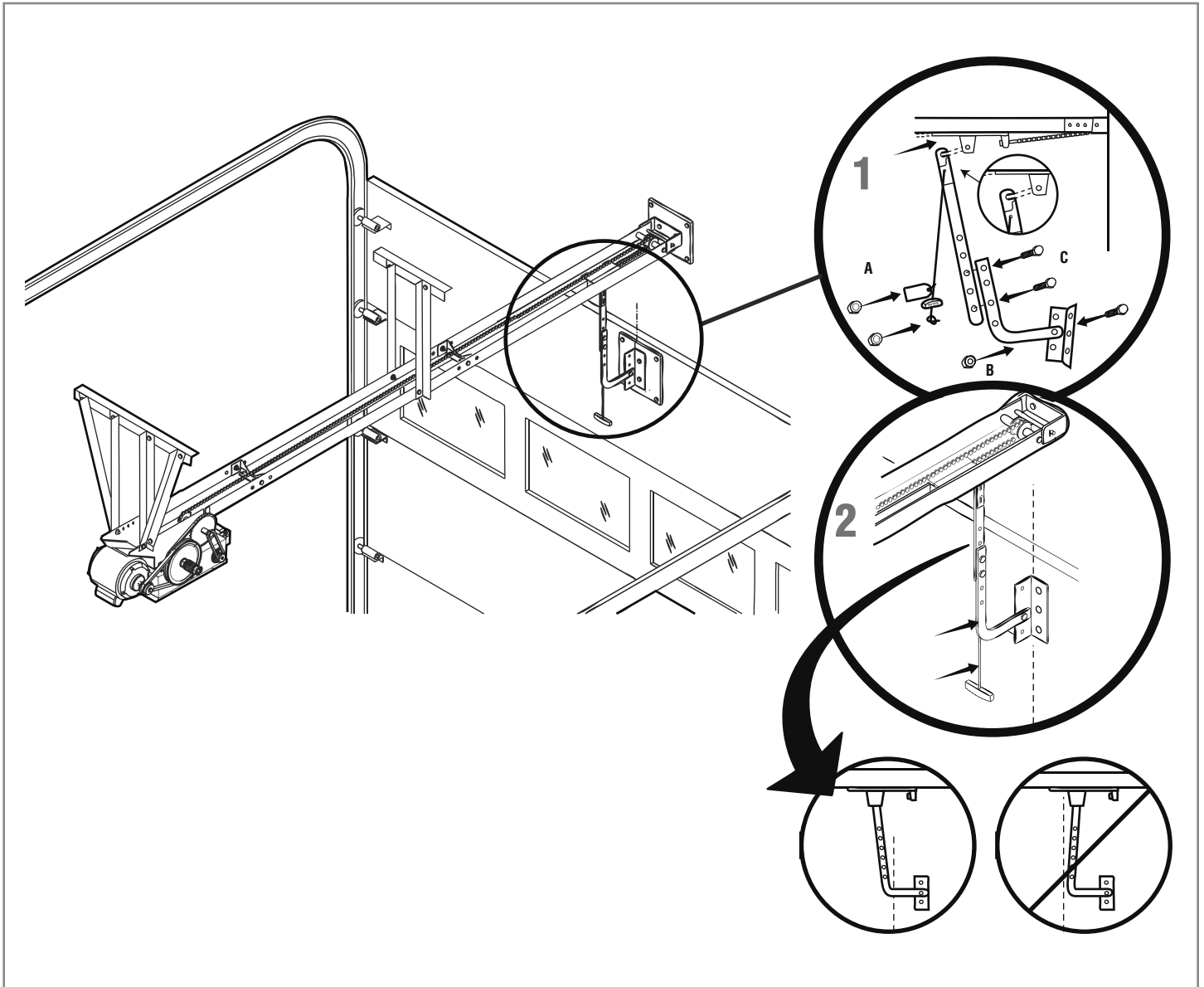
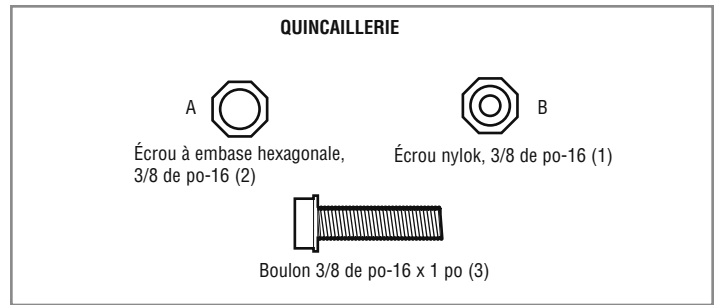


Goupilles fendues (2)



FIXER LE BRAS DE PORTE ET LE SUPPORT DE PORTE

- 1** Verrouiller le bras de porte au chariot. S'assurer que le côté ouvert de l'encoche sur le bras de porte fait face à la porte.
- 2** Placer le support de porte sur la ligne centrale de la porte et fixer le support de porte à la porte à l'aide de la quincaillerie appropriée (non incluse). **REMARQUE :** *Lorsqu'il est correctement installé et ajusté, le bras de porte devrait pencher légèrement à l'arrière vers l'ouvre-porte.* Se référer aux instructions du fabricant de la porte pour les directives d'installation recommandées.



OUVRE-PORTES À PALAN ET À ARBRE SECONDAIRE

CONTENU DE L'EMBALLAGE

Avant de commencer votre installation, vérifier que tous les composants ont été fournis.

DESCRIPTION

Assemblage de la tête motorisée
Manuel d'installation et étiquettes de précaution
Boîte de quincaillerie (comprend les fixations)
Station de commande à 3 boutons avec MAS DEL
Protection contre le piégeage avec surveillance LiftMaster **(LMEP)***
Chaîne de manœuvre du palan (Modèles H, HJ et GH SEULEMENT)
Pignon d'entraînement de porte (avec vis de pression et rainure d'entraînement)

Chaîne d'entraînement de la porte/de l'ouvre-porte

* Basé sur la commande du client.

** Des accessoires supplémentaires peuvent être inclus.

AVERTISSEMENT

Pour prévenir des BLESSURES GRAVES voire MORTELLES, ou la fermeture incontrôlée de la porte :

- Lors de l'installation d'un actionneur de type à arbre intermédiaire sur une porte articulée, des précautions supplémentaires DOIVENT être prises pour s'assurer que le câble de la porte est tendu de manière appropriée sur TOUTE la course de la porte.

SPÉCIFICATIONS DE L'OUVRE-PORTE

CONNEXIONS BI-TENSION

Augmentez la flexibilité en permettant à l'installateur de sélectionner la tension requise, dans la phase, afin de satisfaire aux exigences du site.

MODÈLE	VOLTAGE					HZ						HP			PHASE	
	115V	208V	230V	460V	575V	60	1/3	1/2	3/4	1	1-1/2	2	3	1	3	
H	•	•	•	•	•	•	•	•	•	•				•	•	
J	•	•	•	•	•	•	•	•	•	•				•	•	
HJ	•	•	•	•	•	•	•	•	•	•				•	•	
GH	•	•	•	•	•	•	•	•	•	•	•	•	•	•	•	

TYPE : Service continu

ÉLECTRIQUE

TRANSFORMATEUR : 24Vca secondaire

STATION DE

COMMANDE : Poste de commande à trois boutons d'usage général NEMA 1 (ouverture/fermeture/arrêt avec DEL)

TYPE DE

CÂBLAGE : C2 (Standard), B2, T, TS, D1, E2 et FSTS. Voir la page 28 pour plus d'information concernant les types de câblage.

FREIN : De série sur les ouvre-portes de modèle J de 3/4 HP et 1 HP (en option sur les modèles de 1/2 HP, non offert sur les modèles de 1/3 HP)
De série sur les ouvre-portes de modèle H de 3/4 et 1 HP. (en option sur les modèles de 1/2 HP; non offert sur les modèles de 1/3 HP). De série sur tous les ouvre-portes de modèle GH.

DÉCONNEXION : Modèle J - Déconnexion au niveau du plancher pour fonctionnement manuel de la porte
Modèles H et GH - Chaîne de palan au niveau du plancher avec verrouillage électrique pour fonctionnement manuel de la porte
Modèle HJ - Inclut les deux systèmes de déconnexion au niveau du plancher indiqués ci-dessus

MÉCANIQUE

RÉDUCTION D'ENTRAÎNEMENT :

Modèle J, H, et HJ - Primaire : Courroie trapézoïdale (5L) renforcée
Secondaire : Chaîne no 48 pignon;
Sortie : chaîne no 50

Modèle GH - Primaire : 45:1 pour 1/2, 3/4 et 1 HP
Réducteur d'embrayage à vis sans fin dans bain d'huile 44:1 pour 1-1/2 et 2 HP
42:1 pour 3 HP
Sortie : chaîne no 50

VITESSE DE L'AXE DE SORTIE :

Modèle J, H et HJ - de 20 à 23 cm (8 à 9 po) par seconde selon la porte

Modèle GH - de 20 à 23 cm (8 à 9 po) par seconde selon la porte

RÉGLAGE DE FIN

DE COURSE : À entraînement linéaire avec écrous de réglage de limite de course jusqu'à 7,3 m (24 pi)

ROUEMENTS : Modèles H et HJ - Roulements à bille industriels sur l'arbre de sortie, coussinets à l'huile pour service intensif sur les arbres de réduction.
Modèle J - Roulements à bille industriels sur l'arbre de sortie de 2,5 cm (1 po); coussinets à l'huile pour service intensif sur les arbres de réduction.
Modèle GH - Roulements à rouleaux scellés dans le réducteur à engrenage.

ROUE DE CHAÎNE DE

MANOEUVRE : Modèles H, HJ et GH uniquement. Commandé à gauche ou à droite pour les modèles H, HJ et GH de 3 HP. Interchangeable sur le terrain pour le modèle GH de 1/2 à 2 HP.

ZONE DE PORTE MAXIMALE (PI2)

MODÈLES J, H ET HJ						
ROULANT	Acier 24 ga.	Acier 22 ga.	---	Acier 20 ga. 18 ga.	Acier 16 ga.	---
	Alum. Grilles	Portes Alum.	---	Acier Grilles	---	---
SECTIONNEL	---	Acier 24 ga. 22 ga.	Acier 20 ga.	---	Acier 16 ga.	---
	Porte fibre de verre	Portes Alum.	Bois Portes	---	---	---
	---	---	Acier Isol. 24 ga.	---	Acier Isol. 20 ga.	Acier Isol. 16 ga.
1/3 HP	310	285	260	210	175	125
1/2 HP	400	350	320	280	250	200
3/4 HP	560	500	450	380	325	250
1 HP	640	625	560	475	400	310

REMARQUE : Sur les portes isolées en acier, un endos de calibre 24 est présumé. Si un panneau arrière plus lourd est fourni, utilisez le modèle supérieur suivant en termes de capacité (HP).
Cycles d'utilisation recommandés : Jusqu'à 25 par heure; jusqu'à 80 à 90 par jour.

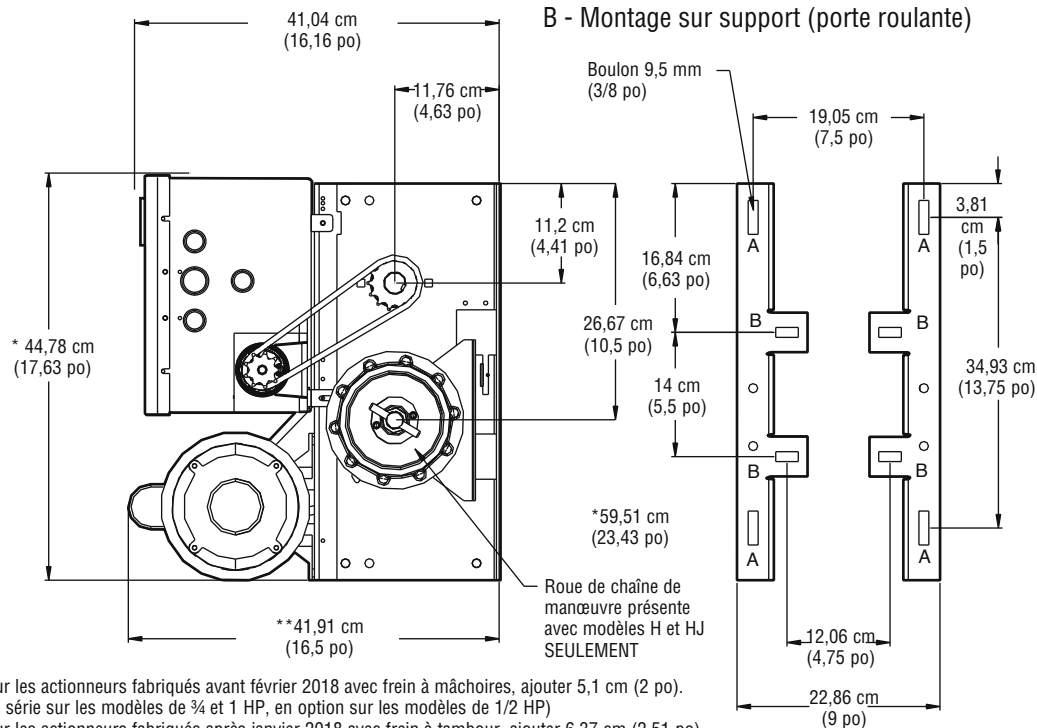
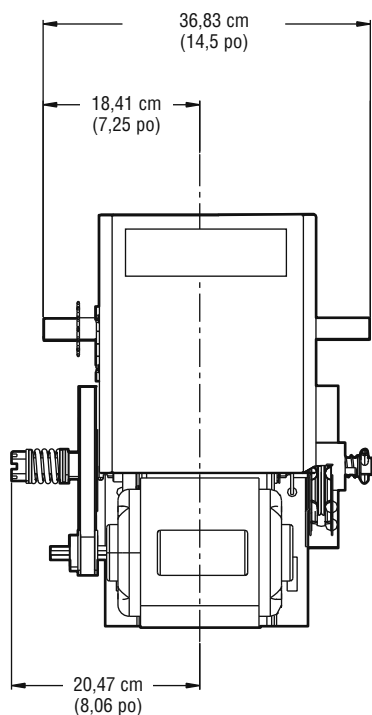
MODÈLE GH						
ROULANT	Acier 24 ga.	Acier 22 ga.	---	Acier 20 ga. 18 ga.	Acier 16 ga.	---
	Alum. Grilles	Portes Alum.	---	Acier Grilles	---	---
SECTIONNEL	---	Acier 24 ga. 22 ga.	Acier 20 ga.	---	Acier 16 ga.	---
	Porte fibre de verre	Portes Alum.	Bois Portes	---	---	---
	---	---	Acier Isol. 24 ga.	---	Acier Isol. 20 ga.	Acier Isol. 16 ga.
1/2 HP	325	300	275	250	225	175
3/4 HP	480	430	390	340	275	225
1 HP	650	560	500	430	325	300
1-1/2 HP	---	---	680	540	425	375
2 HP	---	---	---	640	560	460
3 HP	---	---	---	875	840	620
5 HP	Appeler pour connaître les spécifications					

REMARQUE : Sur les portes isolées en acier, un endos de calibre 24 est présumé. Si un panneau arrière plus lourd est fourni, utilisez le modèle supérieur suivant en termes de capacité (HP).
Cycles d'utilisation recommandés : Jusqu'à 25/heure, plus de 90 par jour.

POIDS ET DIMENSIONS

MODÈLES J, H ET HJ

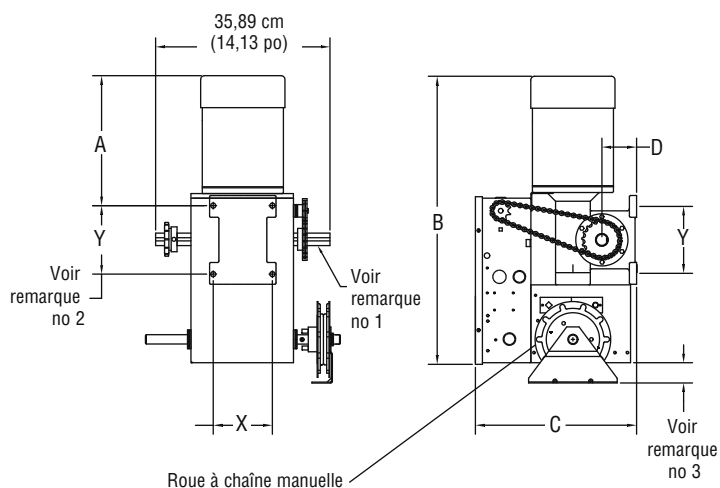
Poids suspendu : 80-110 lb.



- * Pour les actionneurs fabriqués avant février 2018 avec frein à mâchoires, ajouter 5,1 cm (2 po). (De série sur les modèles de 3/4 et 1 HP, en option sur les modèles de 1/2 HP)
- * Pour les actionneurs fabriqués après janvier 2018 avec frein à tambour, ajouter 6,37 cm (2,51 po) pour l'actionneur main gauche et ajouter 4,62 cm (1,82 po) pour l'actionneur main droite.
- ** Pour les actionneurs fabriqués après janvier 2018 avec frein à tambour, ajouter 1,1 cm (0,44 po) pour l'actionneur main gauche et ajouter 3,07 cm (1,21 po) pour l'actionneur main droite. (0,44 po) pour l'actionneur main gauche et ajouter 3,07 cm (1,21 po) pour l'actionneur main droite.

MODÈLE GH

Poids suspendu : 140 lb



HP	PHASE	DIMENSIONS			
		A	B	C	D
1/2	1	11-1/2 de po	25-3/4 de po	12-63/64 de po	3 po
3/4	1	12-1/2 de po	26-3/4 de po	12-63/64 de po	3 po
1	1	12-3/4 de po	27 po	12-63/64 de po	3 po
1-1/2	1	12-3/4 de po	27 po	13-63/64 de po	3-1/2 de po
1/2	3	11 po	25-1/4 de po	12-63/64 de po	3 po
3/4	3	11 po	25-1/4 de po	12-63/64 de po	3 po
1	3	12 po	26-1/4 de po	12-63/64 de po	3 po
1-1/2	3	12-1/2 de po	26-3/4 de po	13-63/64 de po	3-1/2 de po
2	3	12-3/4 de po	27 po	13-63/64 de po	3-1/2 de po
3	3	13-1/4 de po	28-5/8 de po	15-15/64 de po	3-15/16 de po

REMARQUES :

- 1) Arbre de sortie avec clé 1 po x 1/4 de po pour ouvre-portes 1/2 à 1 HP, clé 1-3/16 de po x 5/16 de po pour ouvre-portes 1-1/2 et 2 HP, clés 1-1/4 de po x 1/4 de po pour ouvre-portes 3 HP.
- 2) Centres de montage : X = 4-3/4 de po; Y = 5-1/2 de po pour ouvre-portes 1/2 à 2 HP.
X = 3-5/8 de po; Y = 9-1/16 de po pour ouvre-portes 3 HP.
- 3) La roue de chaîne de manœuvre dépasse de 1-5/8 de po au-delà de l'ouvre-porte en position de montage vertical comme montré.

ASSEMBLAGE

ASSEMBLAGE DE L'OUVRE-PORTE

Le mur ou la surface de montage DOIT fournir un soutien adéquat à l'actionneur.

Cette surface doit :

- Être rigide pour empêcher d'avoir du jeu entre l'ouvre-porte et l'arbre de la porte.
- Fournir une base au niveau.
- Permettre de fixer de façon sécuritaire l'ouvre-porte de sorte que l'arbre d'entraînement soit parallèle à l'arbre de la porte.

1 Sélectionner le côté de fonctionnement. Droit (R) ou Gauche (L).

Sur les modèles d'ouvre-porte J et GH, le pignon d'entraînement peut être monté soit sur le côté droit, soit sur le côté gauche.

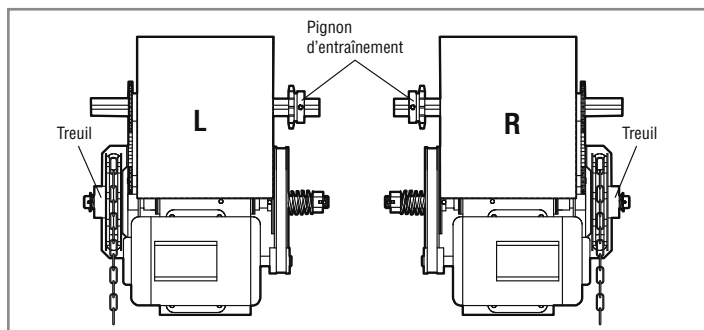
Pour les modèles H et HJ avec des systèmes de chaîne de manœuvre manuels, le côté de fonctionnement de l'ouvre-porte doit être déterminé au moment de la commande. Le côté de fonctionnement est indiqué par la dernière lettre du numéro de modèle (R ou L). Si, en raison de la position de l'actionneur, la chaîne manuelle pend dans l'ouverture de la porte, accrocher la chaîne sur le côté, à proximité du sommet du montant de la porte.

2 Placer le pignon d'entraînement de l'actionneur du côté approprié de l'actionneur en fonction du type de votre installation. Pour éviter tout dommage causé par une charge en porte-à-faux, positionner le pignon aussi près que possible du centre de l'arbre d'entraînement exposé.

AVERTISSEMENT

Pour empêcher une BLESSURE GRAVE ou une MORT possible :

- NE PAS connecter l'alimentation électrique avant d'avoir reçu l'instruction de le faire.
- Si la serrure de porte doit demeurer fonctionnelle, installer un interrupteur de verrouillage.
- Faire TOUJOURS appel à un technicien d'entretien agréé si une porte est grippée, colle ou si elle est déséquilibrée. Une porte débalancée peut NE PAS inverser sa course lorsque nécessaire.
- NE JAMAIS essayer de desserrer, déplacer ou ajuster la porte, les ressorts, le câble, les poulies les supports ou leur quincaillerie, qui sont TOUS sous une EXTRÊME tension et qui peuvent causer des BLESSURES PERSONNELLES SÉRIEUSES.
- Désactiver TOUTES les serrures et retirer TOUTES les cordes raccordées à la porte de garage AVANT d'installer et de faire fonctionner l'ouvre-porte afin d'éviter un emmêlement.
- Fixer SOLIDEMENT l'ouvre-porte aux supports de structure du bâtiment.
- Des ancrages à béton DOIVENT être utilisés si des supports sont installés.



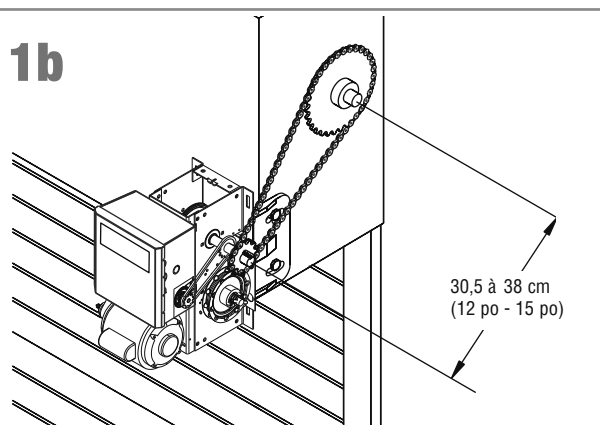
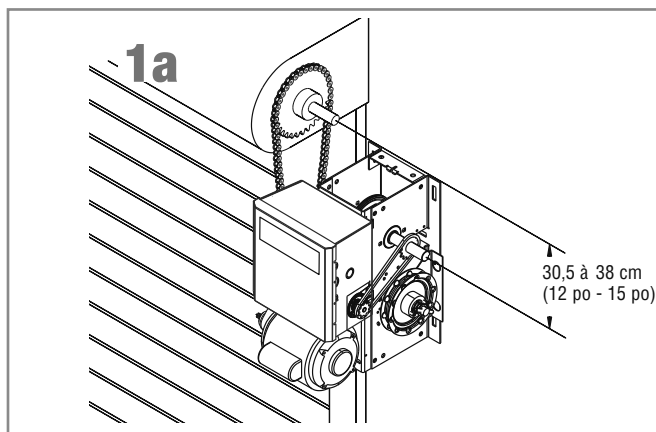
INSTALLATION TYPIQUE

DÉTERMINATION DE L'EMPLACEMENT DE MONTAGE

1 L'ouvre-porte peut être monté au mur, sur une tablette ou un support (non fourni, voir les accessoires). La distance optimale entre l'arbre de la porte et l'arbre d'entraînement de l'ouvre-porte est de 30,5 à 38 cm (12 à 15 pouces).

1a Montage au mur

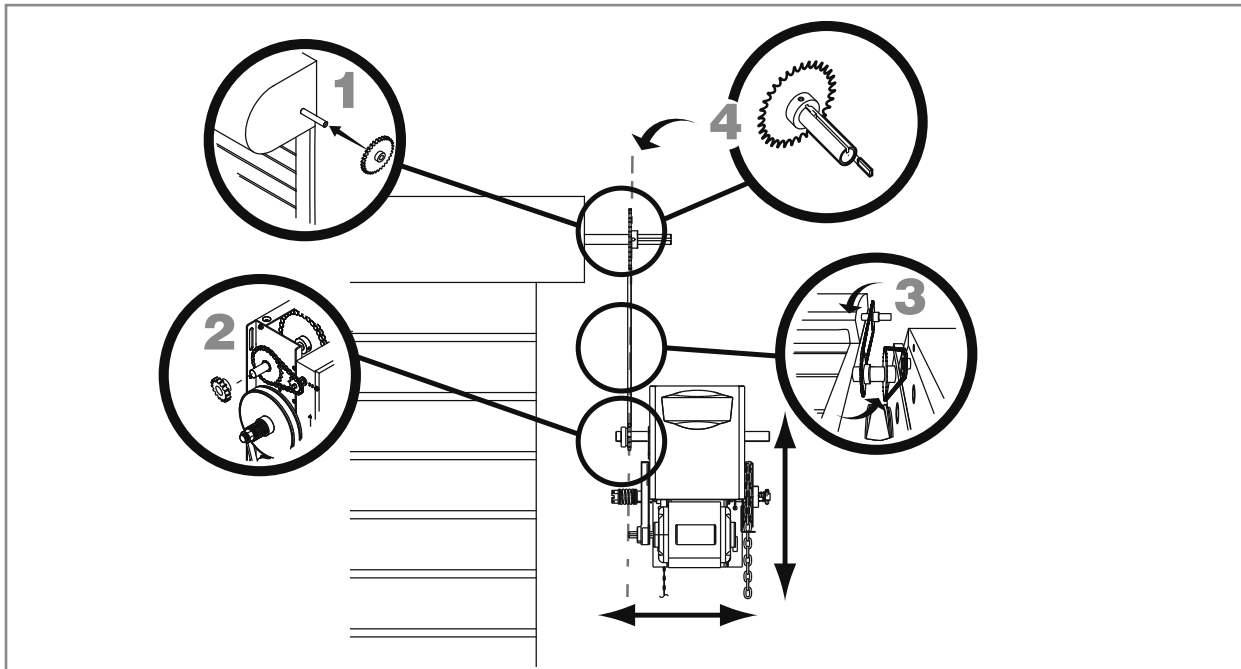
1b Montage sur tablette ou support



MONTAGE

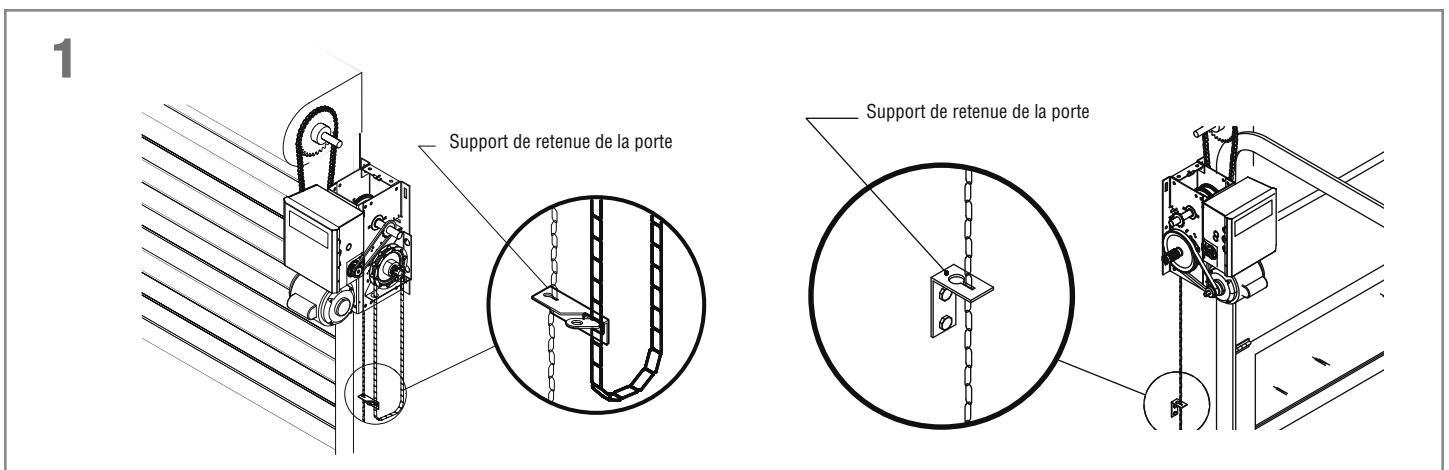
- 1 Placer le pignon de la porte sur l'arbre de la porte.
- 2 Enrouler la chaîne d'entraînement autour du pignon de porte et du pignon d'entraînement puis la fixer avec la maille maîtresse.
- 3 Aligner la porte et les pignons d'entraînement. Insérer les clés et fixer les pignons avec les vis de serrage (le couple de serrage recommandé pour les vis de pression est de 34 à 45 lb-po).

REMARQUE : Il est fortement recommandé d'ajouter un adhésif à filet pour fixer les vis de serrage en place.



INSTALLATION DE LA DÉCONNEXION MANUELLE

- 1 Fixer le support de retenue de la porte à 1,2 m (4 pieds) au-dessus du plancher.



CÂBLAGE

⚠️ ⚡ AVERTISSEMENT

Pour réduire le risque de BLESSURES GRAVES ou de MORT:

- AUCUN entretien de l'ouvre-porte ou dans la zone près de l'ouvre-porte NE DOIT être effectué tant que l'alimentation électrique n'est pas déconnectée et qu'elle n'a pas été verrouillée. Lorsque l'entretien est complété, la zone DOIT être libérée et sécurisée, après quoi l'unité peut être remise en fonction.
- Déconnecter l'alimentation au coffret à fusibles AVANT de procéder. L'ouvre-porte DOIT être mis à la terre correctement et connecté conformément aux codes électriques nationaux et locaux. L'ouvre-porte devrait être sur une ligne à fusible séparée d'une capacité adéquate.

- TOUTES les connexions électriques DOIVENT être faites par un individu qualifié.
- N'installer AUCUN câblage et ne pas tenter de faire fonctionner l'ouvre-porte sans d'abord consulter le schéma de câblage.
- TOUT le câblage d'alimentation devrait être sur un circuit dédié et bien protégé. L'emplacement du raccord d'alimentation devrait être visible et clairement étiqueté.
- TOUT le câblage d'alimentation et de commande DOIT être passé dans des conduits séparés.

ALIMENTATION ET MISE À LA TERRE

Le câblage d'alimentation et de commande doit être placé dans des conduits séparés conformément aux codes électriques nationaux et locaux. Pour le câblage de l'alimentation, se servir d'un fil de calibre approprié. Utiliser les alvéoles défonçables pour les conduites, les raccords de conduites appropriés pour le câblage, comme indiqué sur l'étiquette du boîtier électrique.

- 1 Retirer le couvercle de l'ouvre-porte.
- 2 Faire passer les fils d'alimentation jusqu'à la boîte électrique conformément aux codes électriques nationaux et locaux. SUR APPAREILS À TROIS PHASES SEULEMENT : Une connexion incorrecte des phases de l'alimentation fera en sorte que le moteur tourne dans la mauvaise direction. Pour modifier la rotation du moteur, intervertir les fils d'entrée d'alimentation L1 et L2.
- 3 Fixer les fil d'alimentation et de terre aux terminaux appropriés. **REMARQUE IMPORTANTE :** Cet ouvre-porte doit être mis à la terre correctement. Le défaut de mettre à terre correctement l'ouvre-porte pourrait causer un choc électrique et une blessure sérieuse.

TABLEAU DE CÂBLAGE D'ALIMENTATION

DISTANCE	CALIBRE
15,2 m (50 pieds)	14 AWG
30,5 m (100 pieds)	12 AWG
61 m (200 pieds)	8 AWG*
106,7 m (350 pieds)	6 AWG*
152,4 m (500 pieds)	4 AWG*
304,8 m (1000 pieds)	2 AWG*

* Le calibre de fil maximum qui peut être connecté au terminal de l'ouvre-porte est 12 AWG. Lorsqu'un fil de calibre plus gros est nécessaire, le fil doit être réduit à 12 AWG. UTILISER DU FIL DE CUIVRE SEULEMENT.

SÉLECTION DE TENSION

Pour tous les actionneurs à l'exception des actionneurs triphasés de 575 V, suivre les étapes ci-dessous. Le faisceau de câbles du moteur est connecté en usine au tableau d'alimentation sur tous les actionneurs triphasés de 575 V.

- 1 Localiser le faisceau de câbles du moteur à l'intérieur du boîtier électrique.
- 2 Sur le TABLEAU D'ALIMENTATION, repérez le contenant qui convient à la tension composée entrante. Enlever l'étiquette de tension et l'apposer à l'intérieur du boîtier électrique pour référence future. Insérez complètement le câble d'alimentation du moteur jusqu'à ce qu'il soit maintenu en place et verrouillé.

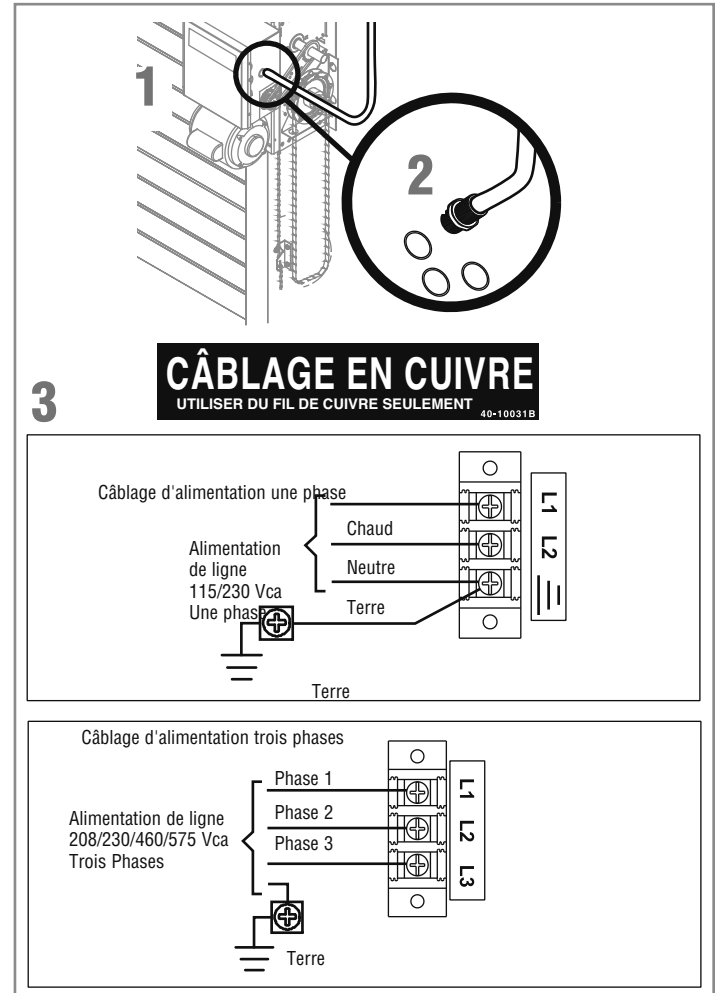


TABLEAU D'ALIMENTATION MONOPHASÉ

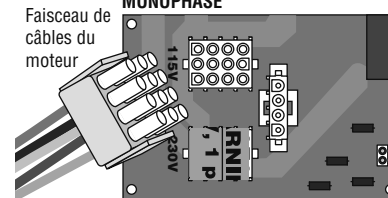
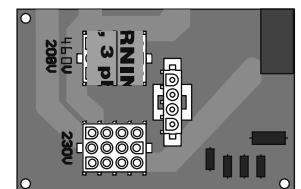


TABLEAU D'ALIMENTATION TRIPHASÉ



Le remplacement d'un fusible sur la carte d'alimentation triphasée ne peut être effectué sur le terrain. Un fusible ouvert indique que la carte d'alimentation triphasée est endommagée et doit être remplacée. Le non-remplacement complet de la carte d'alimentation triphasée peut entraîner des dommages supplémentaires à l'actionneur.

STATION DE COMMANDE

AVERTISSEMENT

Pour empêcher une BLESSURE GRAVE ou une MORT possible par électrocution :

- S'assurer que l'alimentation N'EST PAS connectée AVANT d'installer la commande de porte.

Pour empêcher une BLESSURE GRAVE ou une MORT possible à cause d'une porte qui se ferme :

- Installer la commande de porte bien en vue de la porte, hors de portée des jeunes enfants à une hauteur d'au moins 1,5 m (5 pi) du sol, des paliers, des marches ou de toute autre surface adjacente sur laquelle on marche, et à l'écart de TOUTES les pièces mobiles de la porte.
- Installer la station de commande suffisamment loin de la porte afin d'éviter à l'utilisateur d'entrer en contact avec celle-ci lors

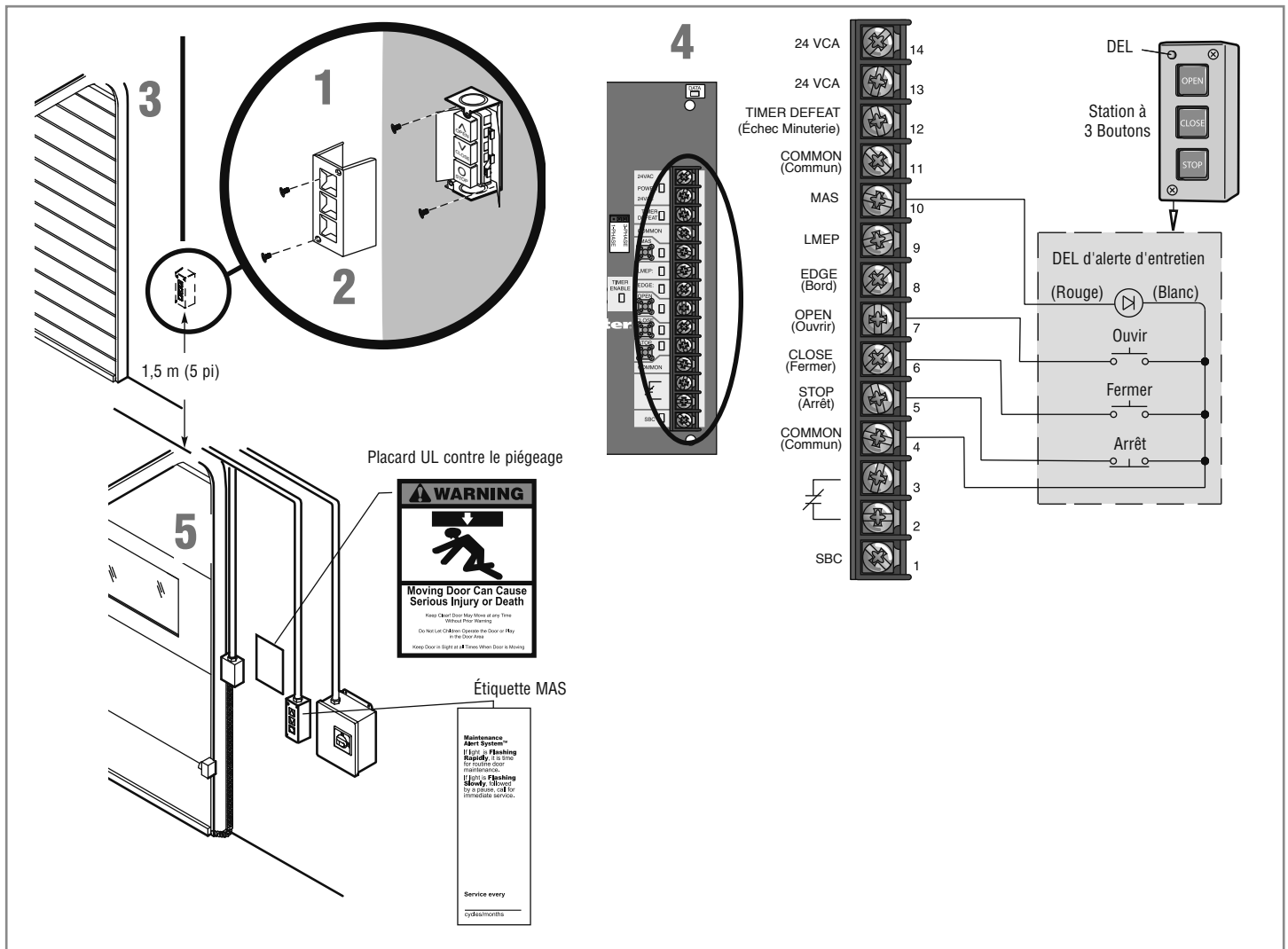
de l'utilisation des commandes.

- Installer le placard d'avertissement contre le piégeage sur le mur adjacent à la station de commande sur un emplacement parfaitement visible depuis la porte.
- NE JAMAIS permettre aux enfants de faire fonctionner ou de jouer avec les boutons poussoirs de la commande de porte ou avec les télécommandes.
- Activer la porte SEULEMENT lorsqu'elle peut être vue clairement, qu'elle est correctement ajustée et qu'il n'y a aucune obstruction au déplacement de la porte.
- TOUJOURS garder la porte en vue jusqu'à ce qu'elle soit entièrement fermée. NE JAMAIS permettre à quelqu'un de se trouver dans la trajectoire de la porte qui se ferme.

REMARQUE : Le câblage du circuit de commande à faible tension exige un fil de calibre 20 AWG ou plus lourd. Consulter la page à l'endos de ce manuel pour de l'information supplémentaire sur le câblage de commande.

- 1 Retirer le couvercle de la station de commande,
- 2 Fixer le poste de commande au mur à au moins 1,5 m (5 pi) au-dessus du sol, des paliers, des marches ou de toute autre surface adjacente sur laquelle on marche. **La surface d'installation doit être lisse et plate.** Fixer l'étiquette MAS au côté de la station de commande.

- 3 Sélectionner l'entrée défonçable appropriée et faire passer les fils jusqu'à l'ouvre-porte (conformément aux codes électriques nationaux et locaux).
- 4 Connecter les fils à la station de commande et replacer le couvercle de la station de commande.
- 5 Fixer le placard d'avertissement contre le piégeage à côté de la station de commande.



PROTECTION CONTRE LE PIÉGEAGE

PROTECTION CONTRE LE PIÉGEAGE AVEC SURVEILLANCE LIFTMASTER (LMEP)

RENSEIGNEMENTS IMPORTANTS AU SUJET DES DISPOSITIFS DE PROTECTION CONTRE LE PIÉGEAGE AVEC SURVEILLANCE LIFTMASTER

Un dispositif de protection contre le piégeage avec surveillance LiftMaster (LMEP) est nécessaire pour la plupart des types de câblage (se référer à la page 28). Si un dispositif de protection contre le piégeage avec surveillance LiftMaster n'est pas installé, une pression constante pour fermer sera requise de la station de commande.

Référez-vous à la page des accessoires pour une liste complète des dispositifs de protection contre le piégeage.

AVERTISSEMENT

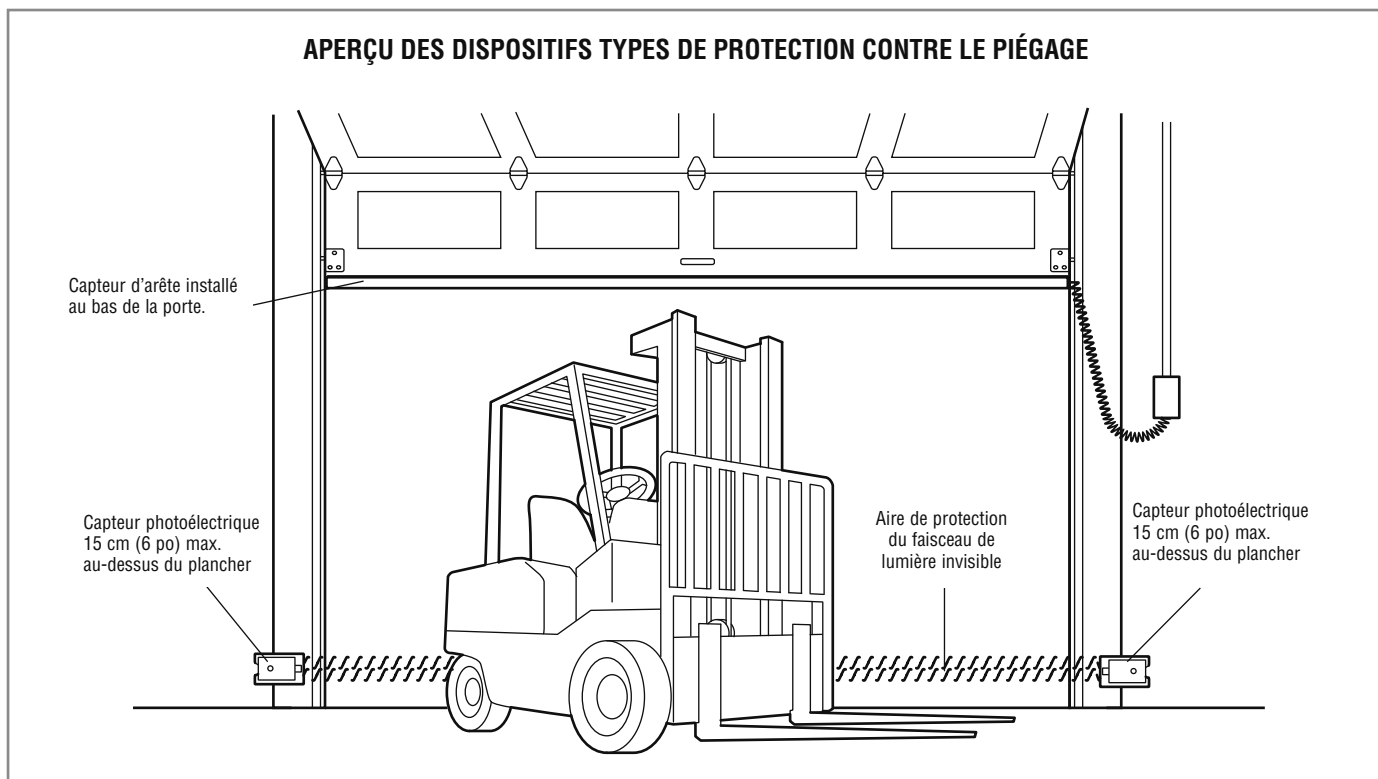
Pour empêcher une BLESSURE GRAVE ou une MORT possible à cause d'une porte qui se ferme :

- S'assurer que l'alimentation N'EST PAS connectée à l'ouvre-porte AVANT d'installer le capteur photoélectrique.
- La porte DOIT être en position entièrement ouverte ou fermée AVANT d'installer le dispositif de Protection contre le piégeage avec surveillance LiftMaster.

Pour éviter une BLESSURE GRAVE, la MORT, le PIÉGEAGE ou un DOMMAGE À LA PROPRIÉTÉ :

- Connecter et aligner correctement le capteur photoélectrique.
- Installer le faisceau du capteur photoélectrique PAS PLUS HAUT que 15 cm (6 po) au-dessus du plancher.
- Il s'agit d'un dispositif de protection contre le piégeage requis pour les câblages de type B2, TS, T et FSTS et QUI NE DOIT PAS être désactivé. Pour les câblages de type D1, C2 et E2, l'installation d'un dispositif de protection contre le piégeage est recommandée.
- Les dispositifs de de Protection contre le piégeage avec surveillance LiftMaster sont pour utilisation avec les ouvre-portes commerciaux LiftMaster SEULEMENT. L'utilisation de TOUT autre produit annule la garantie.
- Si un capteur de chant est utilisé sur une porte à glissière horizontale, alors placer un capteur de chant ou plus sur le chant avant et sur le chant arrière.
- Si un capteur d'arête est utilisé sur une porte coulissante verticale, vous devrez installer un ou plusieurs capteurs sur le bord inférieur de la porte.

APERÇU DES DISPOSITIFS TYPES DE PROTECTION CONTRE LE PIÉGEAGE



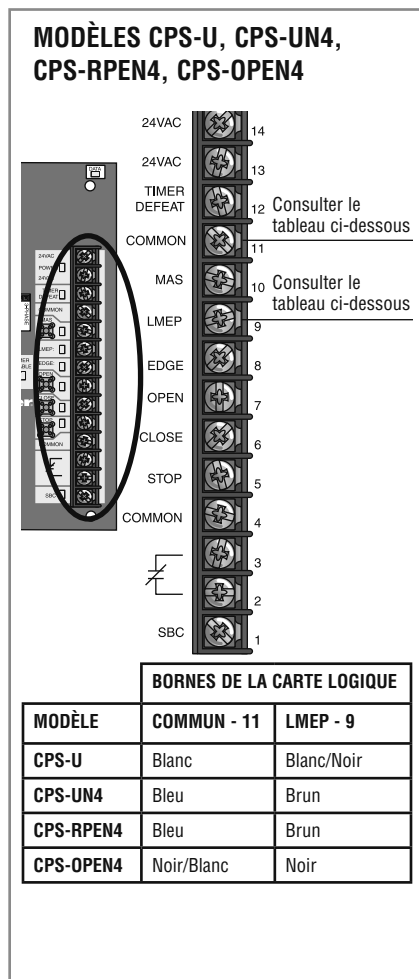
INSTALLATION DES DISPOSITIFS DE PROTECTION CONTRE LE PIÉGEAGE AVEC SURVEILLANCE LIFTMASTER (LMEP) (FACULTATIVE)

Se reporter toujours aux instructions d'installation fournies avec les dispositifs de protection contre le piégeage LiftMaster (LMEP). Si un dispositif surveillé de protection contre le piégeage LiftMaster n'a pas été installé, une pression constante de fermeture sera nécessaire en provenance du poste de commande.

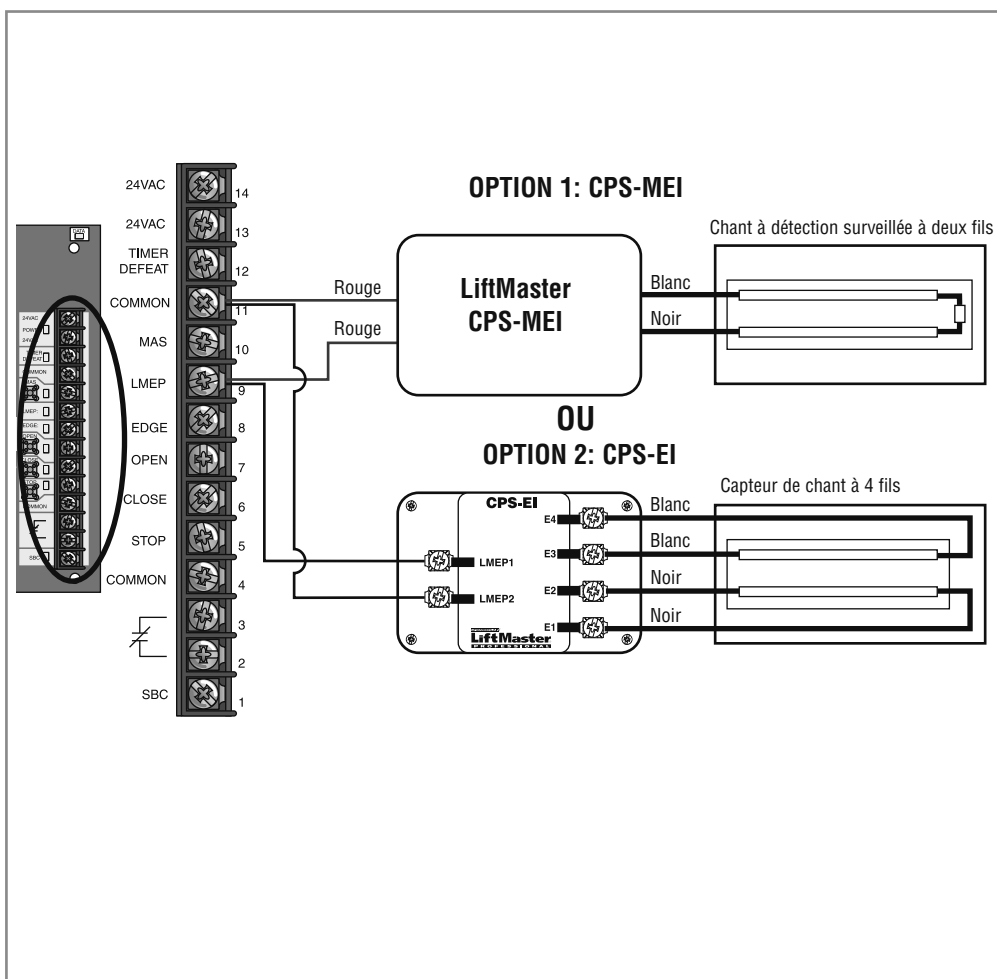
CÂBLAGE DES DISPOSITIFS DE PROTECTION CONTRE LE PIÉGEAGE AVEC SURVEILLANCE LIFTMASTER (LMEP)

- 1 Connecter le dispositif de Protection contre le piégeage avec surveillance LiftMaster (LMEP) à la carte logique selon les modèles montrés ci-dessous :

CAPTEUR PHOTOÉLECTRIQUE CONTRÔLÉ



CAPTEUR D'ARÊTE CONTRÔLÉ



REMARQUE : Un seul dispositif de protection contre le piégeage peut être relié à la carte logique. Une carte CPS3CARD (facultative) est requise pour brancher un dispositif LMEP supplémentaire.
Des dispositifs de protection contre le piégeage secondaires (non contrôlés et sans contact sec) seront branchés aux terminaux câblés aux capteurs d'ARÊTE et aux terminaux PARTAGÉS.

INSTRUCTIONS DE SÉCURITÉ IMPORTANTES

⚠️⚡ AVERTISSEMENT

POUR RÉDUIRE LE RISQUE DE BLESSURES GRAVES, VOIRE MORTELLES :

1. LIRE ET SUIVRE TOUS LES AVERTISSEMENTS ET TOUTES LES INSTRUCTIONS
2. TOUJOURS garder les télécommandes hors de portée des enfants. NE JAMAIS permettre aux enfants de faire fonctionner ou de jouer avec les boutons poussoirs de la commande de porte ou avec les télécommandes.
3. Activer UNIQUEMENT une porte lorsqu'elle est bien visible, qu'elle a été réglée correctement et qu'aucun obstacle ne se trouve dans la trajectoire de sa course.
4. Le personnel devrait se tenir éloigné de la porte en mouvement et TOUJOURS garder la porte en vue jusqu'à ce qu'elle soit complètement fermée. PERSONNE NE DEVRAIT CROISER LE PARCOURS DE LA PORTE EN MOUVEMENT.
5. PERSONNE NE DEVRAIT ALLER SOUS UNE PORTE ARRÊTÉE, PARTIELLEMENT OUVERTE.
6. Si possible, utiliser la poignée de dégagement pour désengager la porte SEULEMENT lorsque la porte est FERMÉE. Des ressorts fiables ou brisés ou une porte non balancée pourraient faire en sorte qu'une porte ouverte tombe rapidement ou subitement causant une BLESSURE GRAVE ou la MORT.
7. NE JAMAIS utiliser la poignée de dégagement manuelle à moins que l'embrasure de la porte soit libre de toute personne ou obstruction.
8. Après avoir effectué TOUT ajustement, le dispositif de protection contre le piégeage DOIT être testé. Le défaut d'ajuster l'ouvre-porte correctement peut causer une BLESSURE GRAVE ou la MORT.
9. Le dispositif de protection contre le piégeage DOIT être testé chaque mois. Le défaut d'ajuster l'ouvre-porte correctement peut causer une BLESSURE GRAVE ou la MORT.
10. TOUJOURS CONSERVER LA PORTE CORRECTEMENT ÉQUILIBRÉE. Une porte mal équilibrée peut NE PAS inverser sa course en cas de besoin et peut être à l'origine de BLESSURES GRAVES, VOIRE MORTELLES. Consulter le Manuel d'instructions du fabricant de la porte.
11. TOUTES les réparations aux câbles, ressorts et à la quincaillerie, lesquels sont TOUS sous une tension EXTRÊME, DOIVENT être confiées à des techniciens d'entretien agréés.
12. TOUJOURS déconnecter l'alimentation électrique à l'ouvre-porte AVANT de faire une réparation ou de retirer les couvercles.
13. **CONSERVER CES INSTRUCTIONS.**

RÉGLAGE DE FIN DE COURSE

- 1 Commencer avec la porte en position entièrement fermée pour configurer le réglage de fin de course à la FERMETURE.
- 2 Appuyer sur la plaque de retenue (1) et déplacer l'écrou de fin de course aux limites de FERMETURE (2).

REMARQUE : Les DEL de l'interrupteur de fin de course de fermeture (CLS) et de l'interrupteur de fin de course de sécurité (SLS) sur la carte logique s'allument lorsque les interrupteurs sont activés et que l'alimentation est en fonction.

- 3 Lorsque la plaque de retenue est dégagée, vérifier que celle-ci est entièrement placée dans les encoches des écrous de fin de course.
- 4 Ouvrir la porte à la position entièrement ouverte et configurer le réglage de fin de course à l'OUVERTURE (3).

REMARQUE : Le DEL de l'interrupteur de fin de course d'ouverture (OLS) sur la carte logique s'allume lorsque les interrupteurs sont activés et que l'alimentation est en fonction.

- 5 Lorsque la plaque de retenue est dégagée, vérifier que celle-ci est entièrement placée dans les encoches des écrous de fin de course.

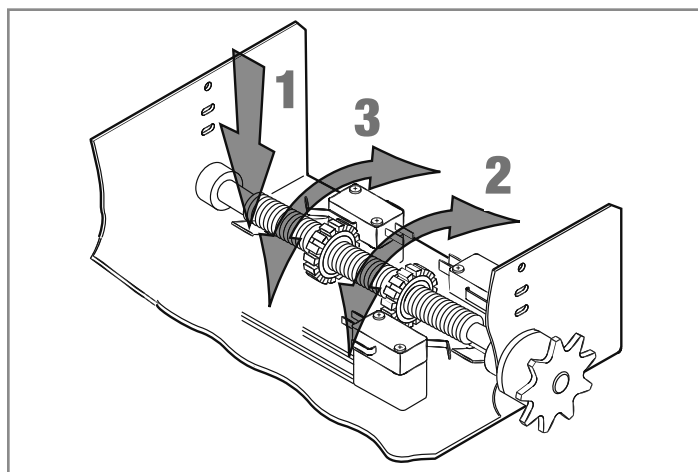
REMARQUE : Dans certaines installations, comme une installation dans un mur, il est possible que la rotation du moteur et la carte logique doivent être modifiées.

1. Localiser le câble de liaison de DIRECTION DU MOTEUR sur la carte logique. Enlever le fil de liaison et le relocaliser de STD à REV.
2. Relocaliser l'interrupteur de fin de course (SLS) du côté opposé.
3. Enlever la décalcomanie CLOSE/OPEN et l'apposer de nouveau de manière appropriée.

⚠️⚡ AVERTISSEMENT

Pour éviter des BLESSURES personnelles SÉRIEUSES ou la MORT par électrocution :

- Déconnecter l'alimentation électrique AVANT d'effectuer TOUT ajustement ou entretien.
- TOUT entretien DOIT être effectué par un technicien d'entretien agréé.



RÉGLAGE DE L'EMBRAYAGE (MODÈLES D'OUVRE-PORTES À COURROIE D'ENTRAÎNEMENT)

Le système à embrayage a été conçu pour protéger la porte et l'actionneur motorisé. Celui-ci NE PEUT se substituer à un dispositif de protection contre le piégeage.

- 1 Retirer la goupille fendue de l'écrou d'embrayage sur l'arbre d'embrayage.
- 2 Tourner l'écrou d'embrayage pour relâcher la tension.
- 3 Resserrer l'écrou d'embrayage jusqu'à ce qu'il y a juste assez de tension pour permettre le fonctionnement en douceur de la porte et pour permettre à l'embrayage de glisser si la porte est obstruée.
- 4 Fixer l'écrou d'embrayage avec la goupille fendue.

AJUSTEMENT DE L'EMBRAYAGE LIMITEUR DE COUPLE (MODÈLE GT SEULEMENT)

- 1 Desserrer les vis de serrage de l'écrou d'ajustement de couple sur l'engrenage démultiplicateur.
- 2 Reculer l'écrou de couple jusqu'à ce qu'il y ait très peu de tension sur les rondelles Belleville.
- 3 Resserrer graduellement l'écrou de couple jusqu'à ce qu'il y ait juste assez de tension pour permettre à l'ouvre-porte de faire fonctionner la porte en douceur durant un cycle d'ouverture/fermeture complet, mais pour permettre au démultiplicateur de glisser si la porte est obstruée.
- 4 Resserrer la vis de serrage qui est directement au-dessus de la portion plate de l'arbre.

MODÈLE GH (MODIFICATION OPTIONNELLE)

- 1 Desserrer les vis de serrage sur l'écrou de l'embrayage.
- 2 Reculer l'écrou de l'embrayage jusqu'à ce qu'il y ait très peu de tension sur le ressort d'embrayage.
- 3 Resserrer l'écrou d'embrayage graduellement jusqu'à ce qu'il y ait juste assez de tension pour permettre à l'ouvre-porte de faire fonctionner la porte en douceur et pour permettre à l'embrayage de glisser si la porte est obstruée. Lorsque l'embrayage est correctement ajusté, il devrait généralement être possible d'arrêter la porte à la main durant son parcours.

SYSTÈME D'INVERSEMENT AUXILIAIRE / CAPTEUR DE TR/MIN

Le **Système d'inversement auxiliaire** est conçu pour protéger la porte et l'ouvre-porte motorisé. Celui-ci NE PEUT se substituer à un dispositif de protection contre le piégeage.

Caractéristique : Cette caractéristique utilise le capteur de régime du moteur connecté à la carte logique pour détecter quand l'embrayage glisse et inverse la course de la porte (l'embrayage doit être correctement ajusté). De plus, le régime du moteur élimine le besoin d'un interrupteur centrifuge sur les moteurs à une phase.

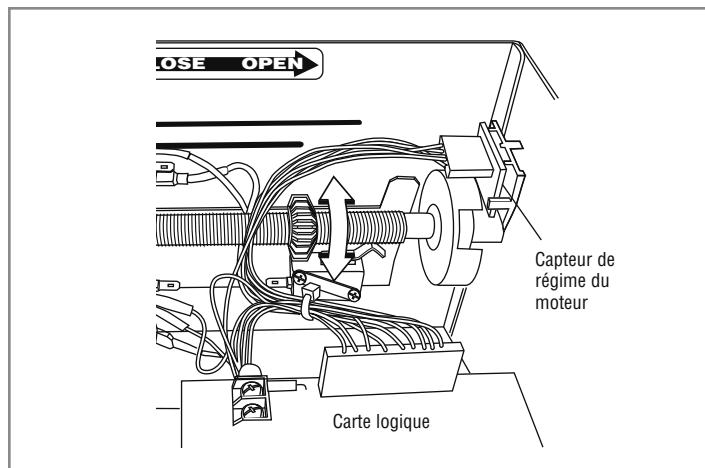
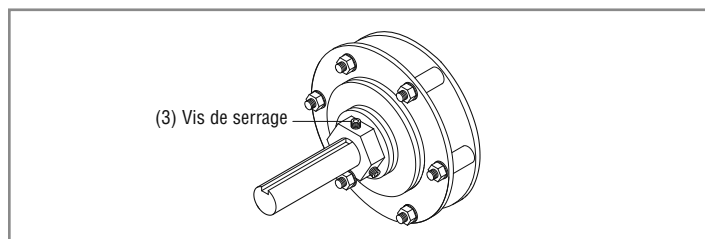
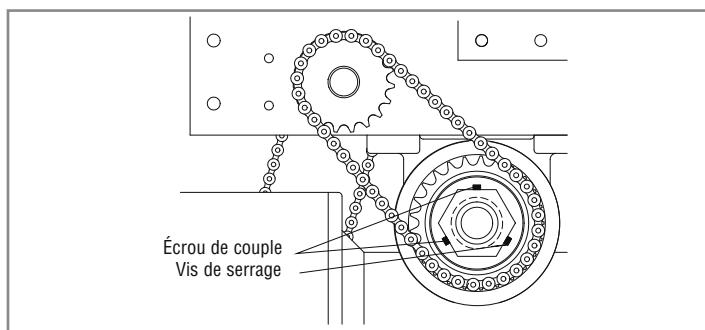
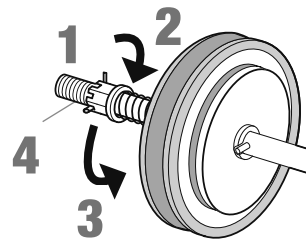
Avantage : Le Système d'inversement auxiliaire inverse l'ouvre-porte lorsqu'il bloque sur une obstruction, ce qui empêche les dommages excessifs à la porte et à l'ouvre-porte. (Le système d'inversion de sécurité ne s'applique pas aux modèles GH à moins qu'une modification de l'embrayage soit installée.)

REMARQUE : Cette fonction est prise automatiquement et ne nécessite aucune programmation.

⚠️ AVERTISSEMENT

Pour éviter des BLESSURES personnelles SÉRIEUSES ou la MORT par électrocution :

- Déconnecter l'alimentation électrique AVANT d'effectuer TOUT ajustement ou entretien.
- TOUT entretien DOIT être effectué par un technicien d'entretien agréé.



TEST

Lors de la mise à l'essai de l'actionneur, ce dernier doit être réglé au type de câblage C2 (réglage par défaut en usine).

Appliquer l'alimentation à l'ouvre-porte.

Lorsqu'une alimentation est fournie à l'actionneur, toutes les DEL s'allumeront à l'exception de la DEL SBC, du relais A, du relais B et de l'annulation de la minuterie. Lorsque le processus de mise sous tension est terminé (après 2 à 3 secondes environ) seules les DEL appropriées resteront allumées :

- Entre les fins de course : 24 Vca et STOP (arrêt)
- En position entièrement fermée : 24 Vca, STOP (arrêt), Interrupteur de fin de course de fermeture (CLS) et Interrupteur de fin de course de sécurité (SLS)
- En position entièrement ouverte : 24 Vca, STOP (arrêt) et Interrupteur de fin de course d'ouverture (OLS)

Des DEL supplémentaires s'allumeront lorsqu'un ou plusieurs dispositifs sont activés.

REMARQUE : Lorsque le processus de démarrage est terminé, la DEL MAS clignotera un code indiquant la version du micrologiciel. Si le cadran de réglage est en position DIAG, OPTN, ou PROG, le MAS ne fournira pas ce code. Après que le code ait été fourni, la DEL MAS s'éteindra.

TEST DES CAPTEURS PHOTOÉLECTRIQUES (S'IL Y A LIEU)

1. Ouvrir la porte.
2. Placer une obstruction dans le chemin des capteurs photoélectriques.
Le voyant lumineux DEL du dispositif de protection contre le piégeage clignotera sur la carte logique.
3. Appuyer et tenir le bouton CLOSE (fermer). La porte ne devrait pas se fermer.
4. Retirer l'obstruction.
5. Appuyer et tenir le bouton CLOSE (fermer). La porte devrait se fermer.
*Si le dispositif de protection contre le piégeage est activé pendant la fermeture de la porte, celle-ci devrait se mettre en marche arrière.

TESTER LES CAPTEURS DE CHANT (S'IL Y A LIEU)

1. Ouvrir la porte.
2. Placer un obstacle dans la trajectoire de la porte en mouvement.
3. Enfoncer et relâcher le bouton de fermeture. La porte devrait s'arrêter et/ou inverser sa course.
4. Retirer l'obstacle. Pressez et relâchez le bouton CLOSE (fermer). La porte devrait se fermer complètement.

REMARQUE : La carte logique Logic 5.0 programmera automatiquement le dispositif de protection contre le piégeage une fois qu'il aura été branché correctement. Si le dispositif de protection contre le piégeage est mal aligné, s'il est activé ou débranché, la DEL correspondante (LMEP) sur la carte logique clignotera. Vous pouvez fermer la porte en entrant en mode Fermeture restreinte (RC) en tenant le bouton de fermeture. L'ouvre-porte commencera à fermer après 5 secondes et continuera à fermer jusqu'à la fin de course de fermeture ou lorsque le bouton de fermeture est relâché.

Pour déprogrammer le dispositif de protection contre le piégeage, placez le cadran à la position DIAG, puis pressez et maintenez enfoncé le bouton d'arrêt jusqu'à ce que le voyant MAS DEL clignote. Sans un dispositif de protection contre le piégeage

AVERTISSEMENT

Pour éviter des BLESSURES personnelles SÉRIEUSES ou la MORT :

- Déconnecter l'alimentation électrique AVANT d'effectuer TOUT ajustement ou entretien.
- TOUT entretien DOIT être effectué par un technicien formé en systèmes de porte.

branché, seuls les modes de fonctionnement B2, D1 ou E2 seront disponibles. Pour déprogrammer le dispositif de protection contre le piégeage, placer le cadran sélecteur à la position DIAG, puis maintenir enfoncé le bouton d'arrêt jusqu'à ce que la DEL MAS clignote. Si un dispositif de protection contre le piégeage n'a pas été connecté, le seul mode de fonctionnement est alors C2, D1 ou E2.

TEST DE LA STATION DE COMMANDE À 3 BOUTONS

1. Appuyer sur le bouton OPEN (ouvrir). (La porte devrait se déplacer dans la direction d'ouverture.)
2. Appuyer sur le bouton STOP (arrêter). (La porte devrait s'arrêter.)
3. Appuyer et tenir le bouton CLOSE (fermer). (La porte devrait se déplacer dans la direction de fermeture.)
4. Relâcher le bouton CLOSE (fermer) La porte devrait s'arrêter si elle est en mode C2 ou D1. La porte s'inversera en position entièrement ouverte si en mode E2. La porte devrait continuer à se fermer dans tous les autres modes.
5. Appuyer sur le bouton STOP (arrêter). (La porte devrait s'arrêter.)

TEST DU RÉGLAGE DE FIN DE COURSE

1. Appuyer sur le bouton OPEN (ouvrir) (La porte devrait s'ouvrir.)
2. Permet à la porte d'ouvrir entièrement.
3. Appuyer et tenir le bouton CLOSE (fermer). (La porte devrait se fermer.)
4. Permet à la porte de se fermer entièrement.
5. Si les fins de course ne sont pas configurées correctement, supprimer l'alimentation et ajuster les fins de course (se référer à la section de réglage de fin de course).

REMARQUE : La course de la porte devrait s'interrompre lorsque les limites de course d'OUVERTURE ou de FERMETURE sont activées. En cas de dérive de la porte, la tension du ressort sur la porte devra être vérifiée ou il faudra peut-être ajouter un frein à l'actionneur. (Remarque – En ce qui concerne l'actionneur Logic 5.0, le frein est de série sur tous les modèles de plus de 1/2 HP. Le frein peut être installé sur le terrain sur les modèles de 1/3 et 1/2 HP T, H, J, DJ, HJ et DHJ)

REMARQUES IMPORTANTES :

- Assurez-vous de lire et de comprendre toutes les instructions de sécurité comprises dans ce manuel.
- Assurez-vous que le propriétaire ou la(les) personne(s) responsable(s) du fonctionnement de la porte aient lu et comprennent les instructions de sécurité, qu'ils sachent comment faire fonctionner électriquement la porte d'une manière sécuritaire et qu'ils sachent comment déconnecter manuellement la porte de l'ouvre-porte.

DÉGAGEMENT MANUEL

SYSTÈME DE DÉCONNEXION D'URGENCE MODÈLES GT ET T

POUR DÉCONNECTER LA PORTE DE L'OUVRE-PORTE

La porte devrait être en position entièrement fermée si possible.

- 1 Tirer la poignée de dégagement d'urgence droit vers le bas. La déconnexion d'urgence s'ouvre.

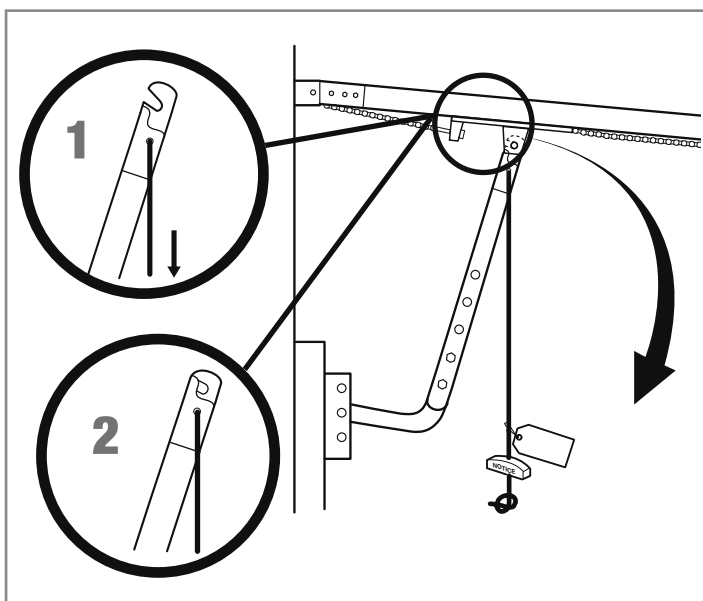
POUR RECONNECTER LE BRAS DE PORTE AU CHARIOT

- 2 Lever le bout libre du bras de porte vers le chariot. Tirer la poignée de dégagement d'urgence pour permettre au bras d'engager la goupille cylindrique. Relâcher la poignée. La déconnexion d'urgence se ferme.

⚠ AVERTISSEMENT

Pour empêcher une BLESSURE GRAVE ou une MORT possible à cause d'une porte ou d'un bras qui tombe :

- DÉCONNECTER l'alimentation électrique à l'actionneur AVANT de faire fonctionner la porte manuellement.
- NE PAS se tenir debout sous le bras de porte lorsqu'on tire le dégagement d'urgence.
- Si possible, utiliser la poignée de dégagement d'urgence pour désengager le chariot SEULEMENT lorsque la porte est FERMÉE. Des ressorts fiables ou brisés ou une porte non balancée pourraient faire en sorte qu'une porte ouverte tombe rapidement ou subitement.
- NE JAMAIS utiliser la poignée de dégagement manuelle à moins que l'embrasure de la porte soit libre de toute personne ou obstruction.



SYSTÈME DE DÉCONNEXION D'URGENCE MODÈLE APT

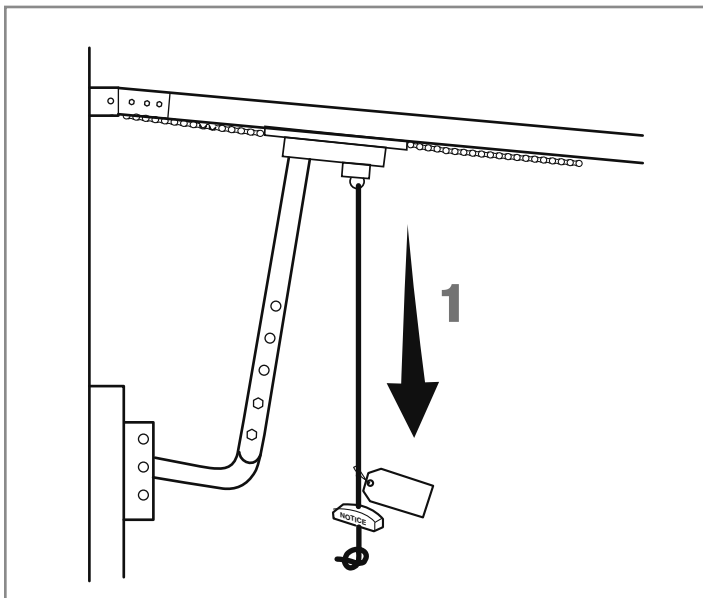
POUR DÉCONNECTER LA PORTE DE L'OUVRE-PORTE

La porte devrait être en position entièrement fermée si possible.

- 1 Tirer la poignée de dégagement d'urgence et lever ou baisser la porte manuellement.

POUR RECONNECTER LE BRAS DE PORTE AU CHARIOT

- 2 Le chariot se reconnectera lors de la prochaine opération UP ou DOWN, soit manuellement ou en utilisant la commande de porte ou la télécommande.



SYSTÈME DE DÉCONNEXION EN CAS D'URGENCE MODÈLES H, GH, J ET HJ

Cet ouvre-porte permet de faire fonctionner la porte manuellement en cas d'urgence ou de panne d'électricité. Se référer aux instructions appropriées ci-dessous pour votre modèle d'ouvre-porte.

MODÈLES H ET GH

Ces ouvre-portes sont munis d'un palan manuel. Un verrouillage électrique désactive les commandes électriques lorsque le palan est utilisé. Pour utiliser le palan :

- 1 Tirer la chaîne de déconnexion pour engager le mécanisme de palan. La chaîne de déconnexion peut être verrouillée en position en glissant le bout à travers le trou du garde-chaîne monté au mur.
- 2 Faire fonctionner la porte dans la direction désirée en tirant un côté ou l'autre de la chaîne de palan à boucle continue.
- 3 La chaîne de déconnexion doit être dégagée du garde-chaîne avant que la porte puisse fonctionner de nouveau de façon électrique.

MODÈLE J

Cet ouvre-porte dispose d'une chaîne de déconnexion au niveau du plancher pour déconnecter la porte de l'ouvre-porte.

- 1 Pour désengager, tirer la chaîne de déconnexion (chaîne à châssis) et fixer en position désengagée en glissant le bout à travers le support à trou monté au mur.
- 2 La porte peut maintenant être poussée vers le haut ou le bas manuellement.
- 3 Relâcher la chaîne de déconnexion pour faire fonctionner de nouveau la porte de façon électrique.

MODÈLE HJ

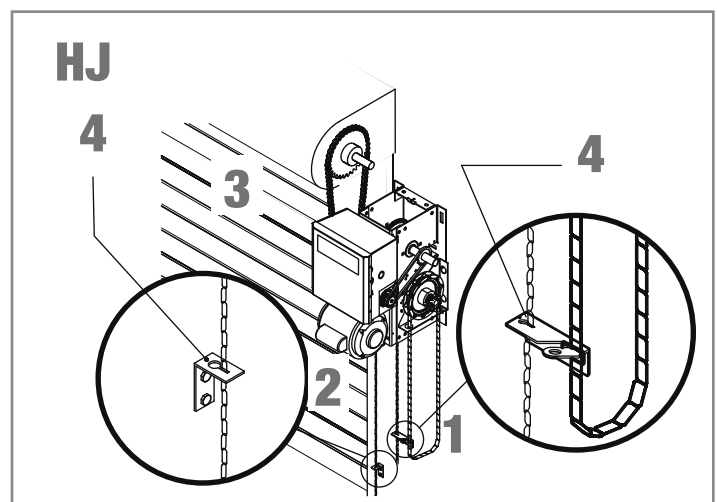
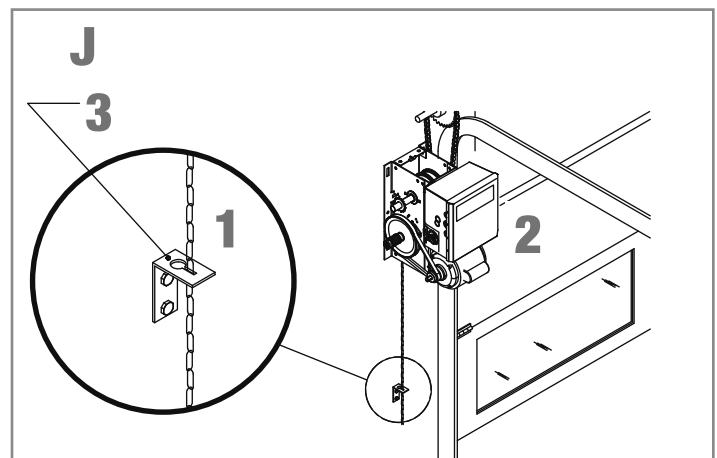
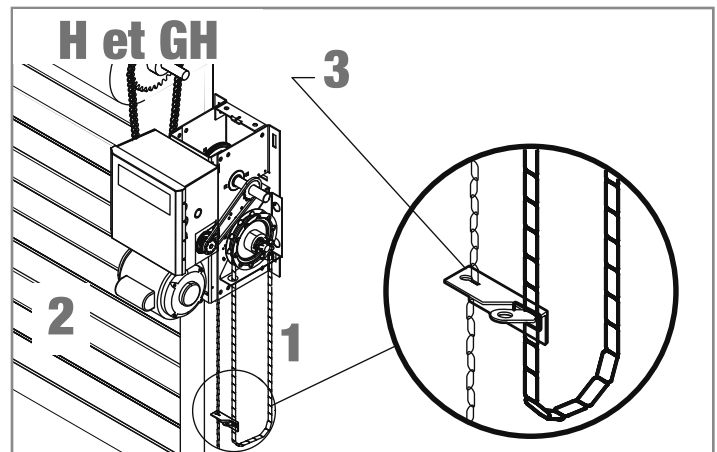
Cet ouvre-porte comprend une chaîne de déconnexion au niveau du plancher (chaîne à châssis) pour déconnecter la porte de l'ouvre-porte et une chaîne de déconnexion avec un palan manuel pour désactiver électriquement les commandes de l'ouvre-porte.

- 1 Tirer la chaîne de déconnexion pour engager le mécanisme de palan. La chaîne de déconnexion peut être verrouillée en position en glissant le bout à travers le trou du garde-chaîne monté au mur.
- 2 Pour désengager, tirer la chaîne de déconnexion et fixer en position désengagée en glissant le bout à travers le support à trou monté au mur.
- 3 Faire fonctionner la porte dans la direction désirée en tirant un côté ou l'autre de la chaîne de palan à boucle continue.
- 4 Relâcher la chaîne de déconnexion pour faire fonctionner de nouveau la porte de façon électrique.

AVERTISSEMENT

Pour empêcher une BLESSURE GRAVE possible causée par une chaîne en mouvement :

- DÉCONNECTER l'alimentation électrique à l'ouvre-porte AVANT de faire fonctionner votre porte manuellement.
- Si possible, utiliser la poignée la déconnexion d'urgence SEULEMENT lorsque la porte est FERMÉE. Des ressorts fiables ou brisés ou une porte non balancée pourraient faire en sorte qu'une porte ouverte tombe rapidement ou subitement.
- NE JAMAIS utiliser la déconnexion d'urgence à moins que l'embrasure de la porte soit libre de toute personne ou obstruction.



PROGRAMMATION

INTRODUCTION À LA PROGRAMMATION

Plusieurs fonctions programmables exigent qu'un dispositif de Protection contre le piégeage LiftMaster (LMEP) soit installé pour fonctionner. Se référer à la section *Protection contre le piégeage*.

Avant de programmer la carte logique, configurer les fins de course d'ouverture et de fermeture de l'ouvre-porte. Des DEL sont disponibles sur la carte logique pour aider à configurer les fins de course. Se référer à la page 22 pour les instructions de configuration d'interrupteurs de fin de course.

Mettre l'actionneur sous tension.

Lorsqu'une alimentation est fournie à l'actionneur, toutes les DEL s'allumeront à l'exception de la DEL SBC, du relais A, du relais B et de l'annulation de la minuterie.

Lorsque le processus de mise sous tension est terminé (après 2 à 3 secondes environ) seules les DEL appropriées resteront allumées :

Entre les limites : 24 V c.a. et STOP

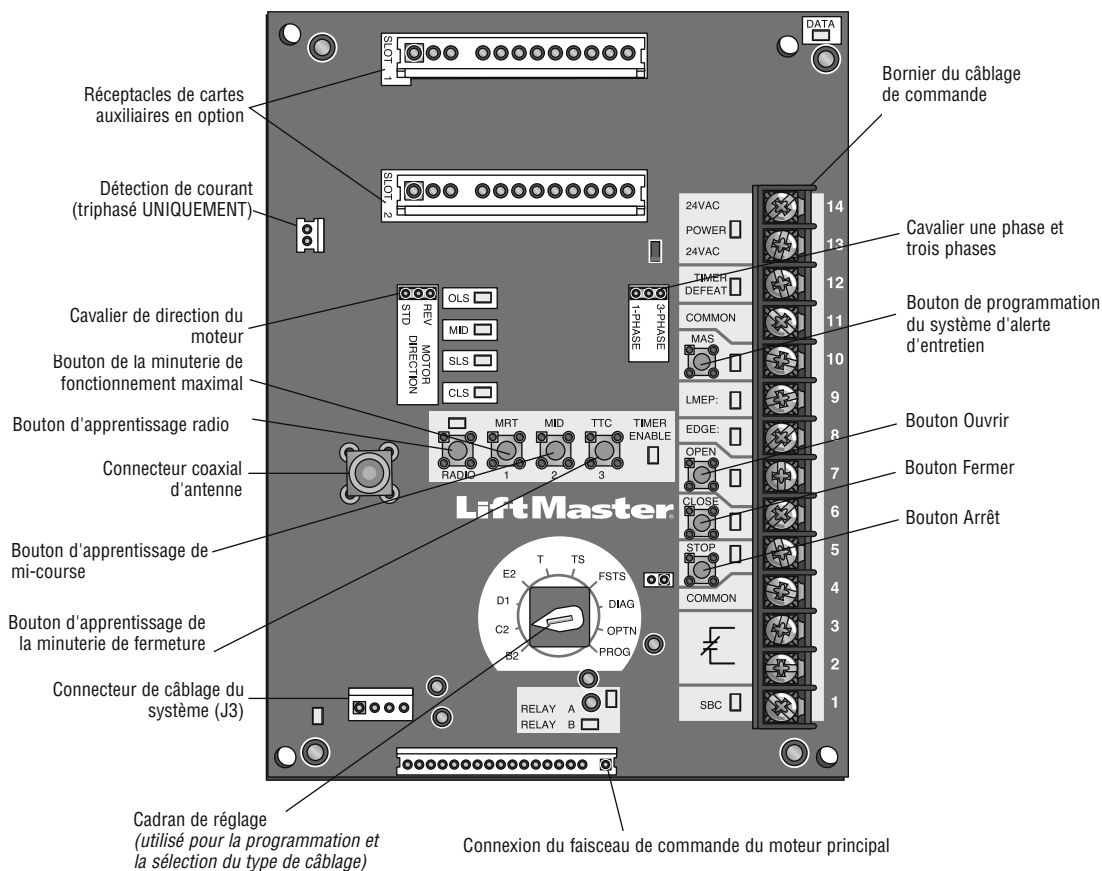
Position entièrement fermée : 24 V c.a., STOP, CLS et SLS

Position entièrement ouverte : 24 V c.a., STOP et OLS

Des DEL supplémentaires s'allumeront lorsque des dispositifs sont activés.

REMARQUE : Lorsque de processus de mise sous tension est complété, la DEL MAS clignotera un code indiquant la version du micrologiciel. Si le cadran de réglage est en position DIAG, OPTN, ou PROG, le MAS ne fournira pas ce code. Après que le code ait été fourni, la DEL MAS s'éteindra.

VUE D'ENSEMBLE DE LA CARTE LOGIQUE



BOUTON-POUSOIRS DE LA CARTE LOGIQUE (OPEN (OUVRIR), CLOSE (FERMER), STOP (ARRÊT))

Les boutons OPEN (ouvrir), CLOSE (fermer), STOP (arrêt) sont montés directement sur la carte logique. Ceci facilite la programmation et permet d'avoir la commande de porte à la boîte électrique.

La commande d'arrêt ou un cavalier DOIT être connecté entre les bornes 4 et 5 pour que les boutons-poussoirs sur la carte fonctionnent.

TECHNOLOGIE DE DÉTECTION DE COURANT

Les actionneurs triphasés LOGIC 5.0 sont désormais dotés d'une technologie de détection de courant. Le faisceau de détection de courant est exigé pour le fonctionnement des actionneurs de porte commerciale LiftMaster qui offrent cette fonction. La fonction de détection de courant mesure les surtensions, limite le fonctionnement de l'actionneur dans des conditions de tension élevée et envoie un code d'erreur de 12 clignotements des DEL. Voir la section Code d'erreurs pour le dépannage pour plus d'information.

DÉTERMINATION ET CONFIGURATION DU TYPE DE CÂBLAGE

Lire les descriptions des différents types de câblage pour déterminer quelle configuration sera correcte pour chaque application. Lorsque le type de câblage est déterminé, configurer le cadran de réglage en conséquence.

TYPE DE CÂBLAGE	DISPOSITIF	ACTION	ÉTAT	RÉPONSE	
C2	Poste de commande à 3 boutons	Le bouton d'ouverture (OPEN) est enfoncé momentanément :	Actionneur à la limite d'OUVERTURE	Aucun changement d'état	
			Actionneur à la limite de FERMETURE	La porte s'ouvre à la limite d'OUVERTURE la plus proche ou s'arrête à mi-course	
			Ouverture de la porte	Aucun changement d'état	
			Fermeture de la porte	La porte inversera automatiquement sa course lorsqu'elle aura atteint sa limite d'OUVERTURE	
			Porte à l'arrêt de mi-course d'ouverture	La porte s'ouvre à sa limite d'OUVERTURE	
		La porte a interrompu sa course pendant le cycle d'ouverture ou de fermeture	La porte s'ouvre à la limite d'OUVERTURE la plus proche ou s'arrête à mi-course		
		Le bouton de fermeture (CLOSE) est enfoncé momentanément :	Actionneur à la limite d'OUVERTURE	La porte s'ouvre et se ferme lorsque le bouton est relâché	
			Actionneur à la limite de FERMETURE	Aucun changement d'état	
			Ouverture de la porte	Aucun changement d'état	
			Fermeture de la porte	Aucun changement d'état	
			Porte à l'arrêt de mi-course d'ouverture	La porte s'ouvre et se ferme lorsque le bouton est relâché	
		La porte a interrompu sa course pendant le cycle d'ouverture ou de fermeture	La porte s'ouvre et se ferme lorsque le bouton est relâché		
		Le bouton de arrêt (STOP) est enfoncé momentanément :	Actionneur à la limite d'OUVERTURE	Aucun changement d'état	
			Actionneur à la limite de FERMETURE	Aucun changement d'état	
			Ouverture de la porte	La porte interrompt sa course	
			Fermeture de la porte	La porte interrompt sa course	
			Porte à l'arrêt de mi-course d'ouverture	Aucun changement d'état	
		La porte a interrompu sa course pendant le cycle d'ouverture ou de fermeture	Aucun changement d'état		
		Le bouton d'ouverture (OPEN) est maintenu (pression constante) :	Actionneur à la limite d'OUVERTURE	Aucun changement d'état	
			Actionneur à la limite de FERMETURE	La porte s'ouvre à la limite d'OUVERTURE la plus proche ou s'arrête à mi-course	
	Ouverture de la porte		Aucun changement d'état		
	Fermeture de la porte		La porte inversera automatiquement sa course lorsqu'elle aura atteint sa limite d'OUVERTURE		
	Porte à l'arrêt de mi-course d'ouverture		La porte s'ouvre à sa limite d'OUVERTURE		
	La porte a interrompu sa course pendant le cycle d'ouverture ou de fermeture	La porte s'ouvre à sa limite d'OUVERTURE (évitte le mi-arrêt)			
	Le bouton de fermeture (CLOSE) est maintenu (pression constante) :	Actionneur à la limite d'OUVERTURE	La porte se ferme à la limite de FERMETURE la plus proche ou s'arrête à mi-course		
		Actionneur à la limite de FERMETURE	Aucun changement d'état		
		Ouverture de la porte	Aucun changement d'état		
		Fermeture de la porte	Aucun changement d'état		
		Porte à l'arrêt de mi-course d'ouverture	La porte se ferme à sa limite de FERMETURE		
	La porte a interrompu sa course pendant le cycle d'ouverture ou de fermeture	La porte s'ouvre à la limite d'OUVERTURE la plus proche ou s'arrête à mi-course			
	Télécommande à trois boutons programmée pour l'ouverture (OPEN), la fermeture (CLOSE) et l'arrêt (STOP) de la course.	Le bouton d'ouverture (OPEN) est enfoncé momentanément :	Actionneur à la limite d'OUVERTURE	Aucun changement d'état	
			Actionneur à la limite de FERMETURE	La porte s'ouvre à la limite d'OUVERTURE la plus proche ou s'arrête à mi-course	
			Ouverture de la porte	Aucun changement d'état	
			Fermeture de la porte	La porte inversera automatiquement sa course lorsqu'elle aura atteint sa limite d'OUVERTURE	
			Porte à l'arrêt de mi-course d'ouverture	La porte s'ouvre à sa limite d'OUVERTURE	
		La porte a interrompu sa course pendant le cycle d'ouverture ou de fermeture	La porte s'ouvre à la limite d'OUVERTURE la plus proche ou s'arrête à mi-course		
		Le bouton de fermeture (CLOSE) est enfoncé momentanément :	Actionneur à la limite d'OUVERTURE	La porte se ferme à la limite de FERMETURE la plus proche ou s'arrête à mi-course	
			Actionneur à la limite de FERMETURE	Aucun changement d'état	
			Ouverture de la porte	Aucun changement d'état	
			Fermeture de la porte	Aucun changement d'état	
			Porte à l'arrêt de mi-course d'ouverture	La porte se ferme à sa limite de FERMETURE	
		La porte a interrompu sa course pendant le cycle d'ouverture ou de fermeture	La porte s'ouvre et se ferme lorsque le bouton est relâché		
		Le bouton de arrêt (STOP) est enfoncé momentanément :	Actionneur à la limite d'OUVERTURE	Aucun changement d'état	
			Actionneur à la limite de FERMETURE	Aucun changement d'état	
			Ouverture de la porte	La porte interrompt sa course	
			Fermeture de la porte	La porte interrompt sa course	
			Porte à l'arrêt de mi-course d'ouverture	Aucun changement d'état	
		La porte a interrompu sa course pendant le cycle d'ouverture ou de fermeture	Aucun changement d'état		
		Télécommande à un seul bouton	Le bouton est enfoncé momentanément :	Actionneur à la limite d'OUVERTURE	La porte s'ouvre et se ferme lorsque le bouton est relâché
				Actionneur à la limite de FERMETURE	La porte s'ouvre à la limite d'OUVERTURE la plus proche ou s'arrête à mi-course
	Ouverture de la porte			La porte interrompt sa course	
	Fermeture de la porte			Aucun changement d'état	
	Porte à l'arrêt de mi-course d'ouverture			La porte s'ouvre à sa limite d'OUVERTURE	
	La porte a interrompu sa course pendant le cycle d'ouverture ou de fermeture	La porte s'ouvre à sa limite d'OUVERTURE			
	Poste de commande à un seul bouton (câblé)	Est enfoncé :	Actionneur à la limite d'OUVERTURE	La porte s'ouvre et se ferme lorsque le bouton est relâché	
			Actionneur à la limite de FERMETURE	La porte s'ouvre à la limite d'OUVERTURE la plus proche ou s'arrête à mi-course	
			Ouverture de la porte	La porte interrompt sa course	
			Fermeture de la porte	La porte inversera automatiquement sa course lorsqu'elle aura atteint sa limite d'OUVERTURE	
			Porte à l'arrêt de mi-course d'ouverture	La porte s'ouvre à sa limite d'OUVERTURE	
	La porte a interrompu sa course pendant le cycle d'ouverture	La porte s'ouvre et se ferme lorsque le bouton est relâché			
	La porte a interrompu sa course pendant le cycle de fermeture	La porte s'ouvre à la limite d'OUVERTURE la plus proche ou s'arrête à mi-course			
	myQ	Une pression a été exercée sur l'image de la porte :	Actionneur à la limite d'OUVERTURE	La porte se ferme à sa limite de FERMETURE	
			Actionneur à la limite de FERMETURE	La porte s'ouvre à la limite d'OUVERTURE la plus proche ou s'arrête à mi-course	
			Ouverture de la porte	Aucun changement d'état	
			Fermeture de la porte	Aucun changement d'état	
			Porte à l'arrêt de mi-course d'ouverture	La porte se ferme à sa limite de FERMETURE	
	La porte a interrompu sa course pendant le cycle d'ouverture ou de fermeture	La porte se ferme à sa limite de FERMETURE			

DÉTERMINATION ET CONFIGURATION DU TYPE DE CÂBLAGE (SUITE)

TYPE DE CÂBLAGE	DISPOSITIF	ACTION	ÉTAT	RÉPONSE
<p>B2</p> <p>Contact momentané pour ouvrir, fermer et interrompre la course de la porte, plus câblage du capteur pour inverser la course de la porte et des dispositifs auxiliaires pour ouvrir et fermer avec écrasement d'ouverture. Mi-arrêt programmable disponible avec ce type de câblage. Compatible avec le poste à 3 boutons, le poste à 1 bouton, et la télécommande et 1 bouton et à 3 boutons.</p> <p>Un dispositif surveillé de protection contre le piégeage LiftMaster (LMPE) est obligatoire.</p>	<p>3 boutons Station de commande</p>	<p>Le bouton d'ouverture (OPEN) est enfoncé momentanément :</p>	Actionneur à la limite d'OUVERTURE	Aucun changement d'état
			Actionneur à la limite de FERMETURE	La porte s'ouvre à la limite d'OUVERTURE la plus proche ou s'arrête à mi-course
			Ouverture de la porte	Aucun changement d'état
			Fermeture de la porte	La porte inversera automatiquement sa course lorsqu'elle aura atteint sa limite d'OUVERTURE
			Porte à l'arrêt de mi-course d'ouverture	La porte s'ouvre à sa limite d'OUVERTURE
			La porte a interrompu sa course pendant le cycle d'ouverture ou de fermeture	La porte s'ouvre à sa limite d'OUVERTURE
		<p>Le bouton de fermeture (CLOSE) est enfoncé momentanément :</p>	Actionneur à la limite d'OUVERTURE	La porte se ferme à sa limite de FERMETURE
			Actionneur à la limite de FERMETURE	Aucun changement d'état
			Ouverture de la porte	Aucun changement d'état
			Fermeture de la porte	Aucun changement d'état
			Porte à l'arrêt de mi-course d'ouverture	La porte se ferme à sa limite de FERMETURE
			La porte a interrompu sa course pendant le cycle d'ouverture ou de fermeture	La porte se ferme à sa limite de FERMETURE
		<p>Le bouton de arrêt (STOP) est enfoncé momentanément :</p>	Actionneur à la limite d'OUVERTURE	Aucun changement d'état
			Actionneur à la limite de FERMETURE	Aucun changement d'état
			Ouverture de la porte	La porte interrompt sa course
			Fermeture de la porte	La porte interrompt sa course
			Porte à l'arrêt de mi-course d'ouverture	Aucun changement d'état
			La porte a interrompu sa course pendant le cycle d'ouverture ou de fermeture	Aucun changement d'état
		<p>Le bouton d'ouverture (OPEN) est maintenu (pression constante) :</p>	Actionneur à la limite d'OUVERTURE	Aucun changement d'état
			Actionneur à la limite de FERMETURE	La porte s'ouvre à la limite d'OUVERTURE la plus proche ou s'arrête à mi-course
			Ouverture de la porte	Aucun changement d'état
			Fermeture de la porte	La porte inversera automatiquement sa course lorsqu'elle aura atteint sa limite d'OUVERTURE
			Porte à l'arrêt de mi-course d'ouverture	La porte s'ouvre à sa limite d'OUVERTURE
			La porte a interrompu sa course pendant le cycle d'ouverture ou de fermeture	La porte s'ouvre à sa limite d'OUVERTURE
	<p>Le bouton de fermeture (CLOSE) est maintenu (pression constante) :</p>	Actionneur à la limite d'OUVERTURE	La porte se ferme à sa limite de FERMETURE	
		Actionneur à la limite de FERMETURE	Aucun changement d'état	
		Ouverture de la porte	Aucun changement d'état	
		Fermeture de la porte	Aucun changement d'état	
		Porte à l'arrêt de mi-course d'ouverture	La porte se ferme à sa limite de FERMETURE	
		La porte a interrompu sa course pendant le cycle d'ouverture ou de fermeture	La porte se ferme à sa limite de FERMETURE	
	<p>Télécommande à trois boutons programmée pour l'ouverture (OPEN), la fermeture (CLOSE) et l'arrêt (STOP) de la course.</p>	<p>Le bouton d'ouverture (OPEN) est enfoncé momentanément :</p>	Actionneur à la limite d'OUVERTURE	Aucun changement d'état
			Actionneur à la limite de FERMETURE	La porte s'ouvre à la limite d'OUVERTURE la plus proche ou s'arrête à mi-course
			Ouverture de la porte	Aucun changement d'état
			Fermeture de la porte	La porte inversera automatiquement sa course lorsqu'elle aura atteint sa limite d'OUVERTURE
			Porte à l'arrêt de mi-course d'ouverture	La porte s'ouvre à sa limite d'OUVERTURE
			La porte a interrompu sa course pendant le cycle d'ouverture ou de fermeture	La porte s'ouvre à sa limite d'OUVERTURE
		<p>Le bouton de fermeture (CLOSE) est enfoncé momentanément :</p>	Actionneur à la limite d'OUVERTURE	La porte se ferme à sa limite de FERMETURE
			Actionneur à la limite de FERMETURE	Aucun changement d'état
			Ouverture de la porte	Aucun changement d'état
			Fermeture de la porte	Aucun changement d'état
			Porte à l'arrêt de mi-course d'ouverture	La porte se ferme à sa limite de FERMETURE
			La porte a interrompu sa course pendant le cycle d'ouverture ou de fermeture	La porte se ferme à sa limite de FERMETURE
		<p>Le bouton de arrêt (STOP) est enfoncé momentanément :</p>	Actionneur à la limite d'OUVERTURE	Aucun changement d'état
			Actionneur à la limite de FERMETURE	Aucun changement d'état
			Ouverture de la porte	La porte interrompt sa course
			Fermeture de la porte	La porte interrompt sa course
			Porte à l'arrêt de mi-course d'ouverture	Aucun changement d'état
			La porte a interrompu sa course pendant le cycle d'ouverture ou de fermeture	Aucun changement d'état
	<p>Le bouton de la télécommande à un seul bouton</p>	<p>Est enfoncé :</p>	Actionneur à la limite d'OUVERTURE	La porte se ferme à sa limite de FERMETURE
			Actionneur à la limite de FERMETURE	La porte s'ouvre à la limite d'OUVERTURE la plus proche ou s'arrête à mi-course
			Ouverture de la porte	La porte interrompt sa course
			Fermeture de la porte	La porte inversera automatiquement sa course lorsqu'elle aura atteint sa limite d'OUVERTURE
			Porte à l'arrêt de mi-course d'ouverture	La porte s'ouvre à sa limite d'OUVERTURE
			La porte a interrompu sa course pendant le cycle d'ouverture ou de fermeture	La porte s'ouvre à sa limite d'OUVERTURE
	<p>Poste de commande à un seul bouton (câblé)</p>	<p>Est enfoncé :</p>	Actionneur à la limite d'OUVERTURE	La porte se ferme à sa limite de FERMETURE
			Actionneur à la limite de FERMETURE	La porte s'ouvre à la limite d'OUVERTURE la plus proche ou s'arrête à mi-course
			Ouverture de la porte	La porte interrompt sa course
			Fermeture de la porte	La porte inversera automatiquement sa course lorsqu'elle aura atteint sa limite d'OUVERTURE
			Porte à l'arrêt de mi-course d'ouverture	La porte s'ouvre à sa limite d'OUVERTURE
			La porte a interrompu sa course pendant le cycle d'ouverture	La porte se ferme à sa limite de FERMETURE
<p>myQ</p>	<p>Une pression a été exercée sur l'image de la porte :</p>	Actionneur à la limite d'OUVERTURE	La porte se ferme à sa limite de FERMETURE	
		Actionneur à la limite de FERMETURE	La porte s'ouvre à la limite d'OUVERTURE la plus proche ou s'arrête à mi-course	
		Ouverture de la porte	Aucun changement d'état	
		Fermeture de la porte	Aucun changement d'état	
		Porte à l'arrêt de mi-course d'ouverture	La porte se ferme à sa limite de FERMETURE	
		La porte a interrompu sa course pendant le cycle d'ouverture ou de fermeture	La porte se ferme à sa limite de FERMETURE	

DÉTERMINATION ET CONFIGURATION DU TYPE DE CÂBLAGE (SUITE)

TYPE DE CÂBLAGE	DISPOSITIF	ACTION	ÉTAT	RÉPONSE	
<p>FSTS</p> <p>Contact momentané du bouton pour l'ouverture, la fermeture et la programmation. Arrêt de mi-course réglé par l'utilisateur. Minuterie de fermeture réglée par l'utilisateur. Le poste à un seul bouton ouvre la porte à sa limite d'ouverture complète en évitant l'arrêt de mi-course et active la minuterie de fermeture, mettant l'actionneur en mode TS jusqu'à ce que la porte atteigne sa limite de fermeture ou que sa course soit interrompue. A ce moment, l'actionneur entre en mode B2. Compatible avec le poste à 3 boutons, le poste à 1 bouton, et la télécommande et 1 bouton et à 3 boutons. Une télécommande à un seul bouton en mode FSTS ouvrira la porte uniquement avec la minuterie de fermeture, en évitant l'arrêt de mi-course programmé. La minuterie de fermeture se réinitialisera et s'inversera lors de la fermeture.</p> <p>Un dispositif de protection contre le piégeage LiftMaster avec surveillance (LMEP) est obligatoire.</p>	<p>3 boutons Station de commande</p>	<p>Le bouton d'ouverture (OPEN) est enfoncé momentanément</p>	Actionneur à la limite d'OUVERTURE	Aucun changement d'état	
			Actionneur à la limite de FERMETURE	La porte s'ouvre à la limite d'OUVERTURE la plus proche ou s'arrête à mi-course	
			Ouverture de la porte	Aucun changement d'état	
			Fermeture de la porte	Aucun changement d'état	
			Porte à l'arrêt de mi-course d'ouverture	La porte s'ouvre à sa limite d'OUVERTURE	
			La porte a interrompu sa course pendant le cycle d'ouverture ou de fermeture	La porte s'ouvre à la limite d'OUVERTURE la plus proche ou s'arrête à mi-course	
		<p>Le bouton de fermeture (CLOSE) est enfoncé momentanément</p>	Actionneur à la limite d'OUVERTURE	La porte se ferme à sa limite de FERMETURE	
			Actionneur à la limite de FERMETURE	Aucun changement d'état	
			Ouverture de la porte	Aucun changement d'état	
			Fermeture de la porte	Aucun changement d'état	
			Porte à l'arrêt de mi-course d'ouverture	La porte se ferme à sa limite de FERMETURE	
			La porte a interrompu sa course pendant le cycle d'ouverture ou de fermeture	La porte se ferme à sa limite de FERMETURE	
		<p>Le bouton de arrêt (STOP) est enfoncé momentanément</p>	Actionneur à la limite d'OUVERTURE	Aucun changement d'état	
			Actionneur à la limite de FERMETURE	Aucun changement d'état	
			Ouverture de la porte	La porte interrompt sa course	
			Fermeture de la porte	La porte interrompt sa course	
			Porte à l'arrêt de mi-course d'ouverture	Aucun changement d'état	
			La porte a interrompu sa course pendant le cycle d'ouverture ou de fermeture	Aucun changement d'état	
		<p>Le bouton d'ouverture (OPEN) est maintenu (pression constante)</p>	Actionneur à la limite d'OUVERTURE	Aucun changement d'état	
			Actionneur à la limite de FERMETURE	La porte s'ouvre à la limite d'OUVERTURE la plus proche ou s'arrête à mi-course	
			Ouverture de la porte	Aucun changement d'état	
			Fermeture de la porte	Aucun changement d'état	
			Porte à l'arrêt de mi-course d'ouverture	La porte s'ouvre à sa limite d'OUVERTURE	
			La porte a interrompu sa course pendant le cycle d'ouverture ou de fermeture	La porte s'ouvre à la limite d'OUVERTURE la plus proche ou s'arrête à mi-course	
	<p>Le bouton de fermeture (CLOSE) est maintenu (pression constante)</p>	Actionneur à la limite d'OUVERTURE	La porte se ferme à sa limite de FERMETURE		
		Actionneur à la limite de FERMETURE	Aucun changement d'état		
		Ouverture de la porte	Aucun changement d'état		
		Fermeture de la porte	Aucun changement d'état		
		Porte à l'arrêt de mi-course d'ouverture	La porte se ferme à sa limite de FERMETURE		
		La porte a interrompu sa course pendant le cycle d'ouverture ou de fermeture	La porte se ferme à sa limite de FERMETURE		
	<p>Télécommande à trois boutons programmée pour l'ouverture (OPEN), la fermeture (CLOSE) et l'arrêt (STOP) de la course.</p>	<p>Le bouton d'ouverture (OPEN) est enfoncé momentanément</p>	Actionneur à la limite d'OUVERTURE	Aucun changement d'état	
			Actionneur à la limite de FERMETURE	La porte s'ouvre à la limite d'OUVERTURE la plus proche ou s'arrête à mi-course	
			Ouverture de la porte	Aucun changement d'état	
			Fermeture de la porte	Aucun changement d'état	
			Porte à l'arrêt de mi-course d'ouverture	La porte s'ouvre à sa limite d'OUVERTURE	
			La porte a interrompu sa course pendant le cycle d'ouverture ou de fermeture	La porte s'ouvre à la limite d'OUVERTURE la plus proche ou s'arrête à mi-course	
		<p>Le bouton de fermeture (CLOSE) est enfoncé momentanément</p>	Actionneur à la limite d'OUVERTURE	La porte se ferme à sa limite de FERMETURE	
			Actionneur à la limite de FERMETURE	Aucun changement d'état	
			Ouverture de la porte	Aucun changement d'état	
			Fermeture de la porte	Aucun changement d'état	
			Porte à l'arrêt de mi-course d'ouverture	La porte se ferme à sa limite de FERMETURE	
			La porte a interrompu sa course pendant le cycle d'ouverture ou de fermeture	La porte se ferme à sa limite de FERMETURE	
		<p>Le bouton de arrêt (STOP) est enfoncé momentanément</p>	Actionneur à la limite d'OUVERTURE	Aucun changement d'état	
			Actionneur à la limite de FERMETURE	Aucun changement d'état	
			Ouverture de la porte	La porte interrompt sa course	
			Fermeture de la porte	La porte interrompt sa course	
			Porte à l'arrêt de mi-course d'ouverture	Aucun changement d'état	
			La porte a interrompu sa course pendant le cycle d'ouverture ou de fermeture	Aucun changement d'état	
		<p>Télécommande à un seul bouton</p>	<p>Le bouton est enfoncé</p>	Actionneur à la limite d'OUVERTURE	Aucun changement d'état
				Actionneur à la limite de FERMETURE	La porte s'ouvre à sa limite d'OUVERTURE
				Ouverture de la porte	Aucun changement d'état
				Fermeture de la porte	La porte inversera automatiquement sa course lorsqu'elle aura atteint sa limite d'OUVERTURE
				Porte à l'arrêt de mi-course d'ouverture	La porte s'ouvre jusqu'à sa limite d'OUVERTURE la plus proche
				La porte a interrompu sa course pendant le cycle d'ouverture ou de fermeture	La porte s'ouvre à la limite d'OUVERTURE la plus proche ou s'arrête à mi-course
	<p>Poste de commande à un seul bouton (câblé)</p>	<p>Est enfoncé :</p>	Actionneur à la limite d'OUVERTURE	Aucun changement d'état	
			Actionneur à la limite de FERMETURE	La porte s'ouvre à sa limite d'OUVERTURE	
			Ouverture de la porte	Aucun changement d'état	
			Fermeture de la porte	La porte inversera automatiquement sa course lorsqu'elle aura atteint sa limite d'OUVERTURE	
			Porte à l'arrêt de mi-course d'ouverture	La porte s'ouvre à sa limite d'OUVERTURE	
			La porte a interrompu sa course pendant le cycle d'ouverture	La porte s'ouvre à sa limite d'OUVERTURE	
	<p>myQ</p>	<p>Une pression a été exercée sur l'image de la porte :</p>	Actionneur à la limite d'OUVERTURE	La porte se ferme à sa limite de FERMETURE	
			Actionneur à la limite de FERMETURE	La porte s'ouvre à la limite d'OUVERTURE la plus proche ou s'arrête à mi-course	
			Ouverture de la porte	Aucun changement d'état	
			Fermeture de la porte	Aucun changement d'état	
			Porte à l'arrêt de mi-course d'ouverture	La porte se ferme à sa limite de FERMETURE	
			La porte a interrompu sa course pendant le cycle d'ouverture ou de fermeture	La porte se ferme à sa limite de FERMETURE	

DÉTERMINATION ET CONFIGURATION DU TYPE DE CÂBLAGE (SUITE)

TYPE DE CÂBLAGE	DISPOSITIF	ACTION	ÉTAT	RÉPONSE
<p>T</p> <p>Contact momentané pour ouvrir, fermer et interrompre la course, avec neutralisation de l'ouverture et minuterie de fermeture. Chaque dispositif causant l'ouverture de la porte, à l'exception de tout dispositif capteur de chant de porte, active la minuterie de fermeture. Des commandes auxiliaires peuvent être connectées à l'entrée d'ouverture pour activer la minuterie de fermeture. Si la minuterie de fermeture a été activée, le bouton d'ouverture et la radiocommande peuvent recycler la minuterie. Le bouton d'arrêt désactivera la minuterie jusqu'à la prochaine entrée de commande. La minuterie de fermeture fonctionnera à partir de l'arrêt de mi-course programmable avec ce type de câblage. Compatible avec le poste à 3 boutons, le poste à 1 bouton, et la télécommande à 1 bouton et à 3 boutons.</p> <p>Un dispositif de protection contre le piégeage LiftMaster avec surveillance (LMEP) est obligatoire.</p>	<p>3 boutons Station de commande</p>	<p>Le bouton d'ouverture (OPEN) est enfoncé momentanément</p>	Actionneur à la limite d'OUVERTURE	Aucun changement d'état
			Actionneur à la limite de FERMETURE	La porte s'ouvre à la limite d'OUVERTURE la plus proche ou s'arrête à mi-course
			Ouverture de la porte	Aucun changement d'état
			Fermeture de la porte	La porte inversera automatiquement sa course lorsqu'elle aura atteint sa limite d'OUVERTURE
			Porte à l'arrêt de mi-course d'ouverture	La porte s'ouvre à sa limite d'OUVERTURE
			La porte a interrompu sa course pendant le cycle d'ouverture ou de fermeture	La porte s'ouvre à sa limite d'OUVERTURE
		<p>Le bouton de fermeture (CLOSE) est enfoncé momentanément</p>	Actionneur à la limite d'OUVERTURE	La porte se ferme à sa limite de FERMETURE
			Actionneur à la limite de FERMETURE	Aucun changement d'état
			Ouverture de la porte	Aucun changement d'état
			Fermeture de la porte	Aucun changement d'état
			Porte à l'arrêt de mi-course d'ouverture	La porte se ferme à sa limite de FERMETURE
			La porte a interrompu sa course pendant le cycle d'ouverture ou de fermeture	La porte se ferme à sa limite de FERMETURE
		<p>Le bouton de arrêt (STOP) est enfoncé momentanément</p>	Actionneur à la limite d'OUVERTURE	Aucun changement d'état
			Actionneur à la limite de FERMETURE	Aucun changement d'état
			Ouverture de la porte	La porte interrompt sa course
			Fermeture de la porte	La porte interrompt sa course
			Porte à l'arrêt de mi-course d'ouverture	Aucun changement d'état
			La porte a interrompu sa course pendant le cycle d'ouverture ou de fermeture	Aucun changement d'état
		<p>Le bouton d'ouverture (OPEN) est maintenu (pression constante)</p>	Actionneur à la limite d'OUVERTURE	Aucun changement d'état
			Actionneur à la limite de FERMETURE	La porte s'ouvre à sa limite d'OUVERTURE
			Ouverture de la porte	Aucun changement d'état
			Fermeture de la porte	La porte inversera automatiquement sa course lorsqu'elle aura atteint sa limite d'OUVERTURE
			Porte à l'arrêt de mi-course d'ouverture	La porte s'ouvre à sa limite d'OUVERTURE
			La porte a interrompu sa course pendant le cycle d'ouverture ou de fermeture	La porte s'ouvre à sa limite d'OUVERTURE
	<p>Le bouton de fermeture (CLOSE) est maintenu (pression constante)</p>	Actionneur à la limite d'OUVERTURE	La porte se ferme à sa limite de FERMETURE	
		Actionneur à la limite de FERMETURE	Aucun changement d'état	
		Ouverture de la porte	Aucun changement d'état	
		Fermeture de la porte	Aucun changement d'état	
		Porte à l'arrêt de mi-course d'ouverture	La porte se ferme à sa limite de FERMETURE	
		La porte a interrompu sa course pendant le cycle d'ouverture ou de fermeture	La porte se ferme à sa limite de FERMETURE	
	<p>Télécommande à trois boutons programmée pour l'ouverture (OPEN), la fermeture (CLOSE) et l'arrêt (STOP) de la course.</p>	<p>Le bouton d'ouverture (OPEN) est enfoncé momentanément</p>	Actionneur à la limite d'OUVERTURE	Aucun changement d'état
			Actionneur à la limite de FERMETURE	La porte s'ouvre à la limite d'OUVERTURE la plus proche ou s'arrête à mi-course
			Ouverture de la porte	Aucun changement d'état
			Fermeture de la porte	La porte inversera automatiquement sa course lorsqu'elle aura atteint sa limite d'OUVERTURE
			Porte à l'arrêt de mi-course d'ouverture	La porte s'ouvre à sa limite d'OUVERTURE
			La porte a interrompu sa course pendant le cycle d'ouverture ou de fermeture	La porte s'ouvre à sa limite d'OUVERTURE
		<p>Le bouton de fermeture (CLOSE) est enfoncé momentanément</p>	Actionneur à la limite d'OUVERTURE	La porte se ferme à sa limite de FERMETURE
			Actionneur à la limite de FERMETURE	Aucun changement d'état
			Ouverture de la porte	Aucun changement d'état
			Fermeture de la porte	Aucun changement d'état
			Porte à l'arrêt de mi-course d'ouverture	La porte se ferme à sa limite de FERMETURE
			La porte a interrompu sa course pendant le cycle d'ouverture ou de fermeture	La porte se ferme à sa limite de FERMETURE
		<p>Le bouton de arrêt (STOP) est enfoncé momentanément</p>	Actionneur à la limite d'OUVERTURE	Aucun changement d'état
			Actionneur à la limite de FERMETURE	Aucun changement d'état
			Ouverture de la porte	La porte interrompt sa course
			Fermeture de la porte	La porte interrompt sa course
			Porte à l'arrêt de mi-course d'ouverture	Aucun changement d'état
			La porte a interrompu sa course pendant le cycle d'ouverture ou de fermeture	Aucun changement d'état
<p>Télécommande à un seul bouton</p>	<p>Le bouton est enfoncé</p>	Actionneur à la limite d'OUVERTURE	Aucun changement d'état	
		Actionneur à la limite de FERMETURE	La porte s'ouvre à sa limite d'OUVERTURE	
		Ouverture de la porte	Aucun changement d'état	
		Fermeture de la porte	La porte inversera automatiquement sa course lorsqu'elle aura atteint sa limite d'OUVERTURE	
		Porte à l'arrêt de mi-course d'ouverture	Aucun changement d'état	
		La porte a interrompu sa course pendant le cycle d'ouverture ou de fermeture	La porte s'ouvre à la limite d'OUVERTURE la plus proche ou s'arrête à mi-course	
<p>Poste de commande à un seul bouton (câblé)</p>	<p>Est enfoncé :</p>	Actionneur à la limite d'OUVERTURE	Aucun changement d'état	
		Actionneur à la limite de FERMETURE	La porte s'ouvre à la limite d'OUVERTURE la plus proche ou s'arrête à mi-course	
		Ouverture de la porte	Aucun changement d'état	
		Fermeture de la porte	La porte inversera automatiquement sa course lorsqu'elle aura atteint sa limite d'OUVERTURE	
		Porte à l'arrêt de mi-course d'ouverture	Aucun changement d'état	
		La porte a interrompu sa course pendant le cycle d'ouverture	La porte s'ouvre à la limite d'OUVERTURE la plus proche ou s'arrête à mi-course	
La porte a interrompu sa course pendant le cycle de fermeture	La porte s'ouvre à la limite d'OUVERTURE la plus proche ou s'arrête à mi-course			
<p>myQ</p>	<p>Une pression a été exercée sur l'image de la porte :</p>	Actionneur à la limite d'OUVERTURE	La porte se ferme à sa limite de FERMETURE	
		Actionneur à la limite de FERMETURE	La porte s'ouvre à la limite d'OUVERTURE la plus proche ou s'arrête à mi-course	
		Ouverture de la porte	Aucun changement d'état	
		Fermeture de la porte	Aucun changement d'état	
		Porte à l'arrêt de mi-course d'ouverture	La porte se ferme à sa limite de FERMETURE	
		La porte a interrompu sa course pendant le cycle d'ouverture ou de fermeture	La porte se ferme à sa limite de FERMETURE	

DÉTERMINATION ET CONFIGURATION DU TYPE DE CÂBLAGE (SUITE)

TYPE DE CÂBLAGE	DISPOSITIF	ACTION	ÉTAT	RÉPONSE
<p>TS</p> <p>Ce mode permettra de fermer la porte à partir de n'importe quelle position, à l'exception de la position complètement fermée, ou lorsqu'une entrée de sécurité est présente. Le bouton d'arrêt ne désactivera pas la minuterie de fermeture, quelle que soit la position de la porte. Pour désactiver la minuterie de fermeture dans ce mode, l'installation d'un interrupteur d'annulation est exigé (voir le schéma de câblage). Contact momentané d'ouverture, de fermeture et d'arrêt avec neutralisation d'ouverture et minuterie de fermeture. Tout dispositif causant l'ouverture de la porte, y compris un dispositif d'inversion de course de la porte, active la minuterie de fermeture. Des commandes auxiliaires peuvent être connectées à l'entrée d'ouverture pour activer la minuterie de fermeture. Si la minuterie a été activée, le bouton d'ouverture et la radiocommande peuvent cycler de nouveau la minuterie. La minuterie de fermeture fonctionnera à partir de l'arrêt de mi-course programmable avec ce type de câblage. Compatible avec le poste à 3 boutons, le poste à un bouton et la télécommande à 1 bouton et à 3 boutons.</p> <p>Un dispositif de protection contre le piégeage LiftMaster avec surveillance (LMEP) est obligatoire.</p>	<p>3 boutons Station de commande</p>	<p>Le bouton d'ouverture (OPEN) est enfoncé momentanément</p>	Actionneur à la limite d'OUVERTURE	Aucun changement d'état
			Actionneur à la limite de FERMETURE	La porte s'ouvre à la limite d'OUVERTURE la plus proche ou s'arrête à mi-course
			Ouverture de la porte	Aucun changement d'état
			Fermeture de la porte	La porte inversera automatiquement sa course lorsqu'elle aura atteint sa limite d'OUVERTURE
			Porte à l'arrêt de mi-course d'ouverture	La porte s'ouvre à sa limite d'OUVERTURE
		La porte a interrompu sa course pendant le cycle d'ouverture ou de fermeture	La porte s'ouvre à sa limite d'OUVERTURE	
		<p>Le bouton de fermeture (CLOSE) est enfoncé momentanément</p>	Actionneur à la limite d'OUVERTURE	La porte se ferme à sa limite de FERMETURE
			Actionneur à la limite de FERMETURE	Aucun changement d'état
			Ouverture de la porte	Aucun changement d'état
			Fermeture de la porte	Aucun changement d'état
			Porte à l'arrêt de mi-course d'ouverture	La porte se ferme à sa limite de FERMETURE
		La porte a interrompu sa course pendant le cycle d'ouverture ou de fermeture	La porte se ferme à sa limite de FERMETURE	
		<p>Le bouton de arrêt (STOP) est enfoncé momentanément</p>	Actionneur à la limite d'OUVERTURE	Aucun changement d'état
			Actionneur à la limite de FERMETURE	Aucun changement d'état
			Ouverture de la porte	La porte interrompt sa course
			Fermeture de la porte	La porte interrompt sa course
			Porte à l'arrêt de mi-course d'ouverture	Aucun changement d'état
		La porte a interrompu sa course pendant le cycle d'ouverture ou de fermeture	La porte interrompt sa course	
		<p>Le bouton d'ouverture (OPEN) est maintenu (pression constante)</p>	Actionneur à la limite d'OUVERTURE	Aucun changement d'état
			Actionneur à la limite de FERMETURE	La porte s'ouvre à la limite d'OUVERTURE la plus proche ou s'arrête à mi-course
	Ouverture de la porte		Aucun changement d'état	
	Fermeture de la porte		La porte inversera automatiquement sa course lorsqu'elle aura atteint sa limite d'OUVERTURE	
	Porte à l'arrêt de mi-course d'ouverture		La porte s'ouvre à sa limite d'OUVERTURE	
	La porte a interrompu sa course pendant le cycle d'ouverture ou de fermeture	La porte s'ouvre à sa limite d'OUVERTURE		
	<p>Le bouton de fermeture (CLOSE) est maintenu (pression constante)</p>	Actionneur à la limite d'OUVERTURE	La porte se ferme à sa limite de FERMETURE	
		Actionneur à la limite de FERMETURE	Aucun changement d'état	
		Ouverture de la porte	Aucun changement d'état	
		Fermeture de la porte	Aucun changement d'état	
		Porte à l'arrêt de mi-course d'ouverture	La porte se ferme à sa limite de FERMETURE	
	La porte a interrompu sa course pendant le cycle d'ouverture ou de fermeture	La porte se ferme à sa limite de FERMETURE		
	<p>Télécommande à trois boutons programmée pour l'ouverture (OPEN), la fermeture (CLOSE) et l'arrêt (STOP) de la course.</p>	<p>Le bouton d'ouverture (OPEN) est enfoncé momentanément</p>	Actionneur à la limite d'OUVERTURE	Aucun changement d'état
			Actionneur à la limite de FERMETURE	La porte s'ouvre à la limite d'OUVERTURE la plus proche ou s'arrête à mi-course
			Ouverture de la porte	Aucun changement d'état
			Fermeture de la porte	La porte inversera automatiquement sa course lorsqu'elle aura atteint sa limite d'OUVERTURE
			Porte à l'arrêt de mi-course d'ouverture	La porte s'ouvre à sa limite d'OUVERTURE
		La porte a interrompu sa course pendant le cycle d'ouverture ou de fermeture	La porte s'ouvre à sa limite d'OUVERTURE	
		<p>Le bouton de fermeture (CLOSE) est enfoncé momentanément</p>	Actionneur à la limite d'OUVERTURE	La porte se ferme à sa limite de FERMETURE
			Actionneur à la limite de FERMETURE	Aucun changement d'état
			Ouverture de la porte	Aucun changement d'état
			Fermeture de la porte	Aucun changement d'état
			Porte à l'arrêt de mi-course d'ouverture	La porte se ferme à sa limite de FERMETURE
		La porte a interrompu sa course pendant le cycle d'ouverture ou de fermeture	La porte se ferme à sa limite de FERMETURE	
		<p>Le bouton de arrêt (STOP) est enfoncé momentanément</p>	Actionneur à la limite d'OUVERTURE	Aucun changement d'état
			Actionneur à la limite de FERMETURE	Aucun changement d'état
			Ouverture de la porte	La porte interrompt sa course
	Fermeture de la porte		La porte interrompt sa course	
	Porte à l'arrêt de mi-course d'ouverture		Aucun changement d'état	
	La porte a interrompu sa course pendant le cycle d'ouverture ou de fermeture	La porte interrompt sa course		
	<p>Télécommande à un seul bouton</p>	<p>Le bouton est enfoncé</p>	Actionneur à la limite d'OUVERTURE	Aucun changement d'état
			Actionneur à la limite de FERMETURE	La porte s'ouvre à la limite d'OUVERTURE la plus proche ou s'arrête à mi-course
			Ouverture de la porte	Aucun changement d'état
			Fermeture de la porte	La porte inversera automatiquement sa course lorsqu'elle aura atteint sa limite d'OUVERTURE
			Porte à l'arrêt de mi-course d'ouverture	Aucun changement d'état
	La porte a interrompu sa course pendant le cycle d'ouverture ou de fermeture	La porte s'ouvre à sa limite d'OUVERTURE		
	<p>Poste de commande à un seul bouton (câblé)</p>	<p>Est enfoncé :</p>	Actionneur à la limite d'OUVERTURE	Aucun changement d'état
			Actionneur à la limite de FERMETURE	La porte s'ouvre à la limite d'OUVERTURE la plus proche ou s'arrête à mi-course
			Ouverture de la porte	Aucun changement d'état
			Fermeture de la porte	La porte inversera automatiquement sa course lorsqu'elle aura atteint sa limite d'OUVERTURE
			Porte à l'arrêt de mi-course d'ouverture	Aucun changement d'état
	La porte a interrompu sa course pendant le cycle d'ouverture	La porte s'ouvre à la limite d'OUVERTURE la plus proche ou s'arrête à mi-course		
	La porte a interrompu sa course pendant le cycle de fermeture	La porte s'ouvre à la limite d'OUVERTURE la plus proche ou s'arrête à mi-course		
	<p>myQ</p>	<p>Une pression a été exercée sur l'image de la porte :</p>	Actionneur à la limite d'OUVERTURE	La porte se ferme à sa limite de FERMETURE
			Actionneur à la limite de FERMETURE	La porte s'ouvre à la limite d'OUVERTURE la plus proche ou s'arrête à mi-course
			Ouverture de la porte	Aucun changement d'état
			Fermeture de la porte	Aucun changement d'état
			Porte à l'arrêt de mi-course d'ouverture	La porte se ferme à sa limite de FERMETURE
	La porte a interrompu sa course pendant le cycle d'ouverture ou de fermeture	La porte se ferme à sa limite de FERMETURE		

DÉTERMINATION ET CONFIGURATION DU TYPE DE CÂBLAGE (SUITE)

TYPE DE CÂBLAGE	DISPOSITIF	ACTION	ÉTAT	RÉPONSE
<p>T Mode Concessionnaire d'automobiles</p> <p>Ce mode utilise l'entrée de commande à un seul bouton pour faire passer la porte d'une position fermée à une position programmée d'arrêt à mi-course et la garder à cette position même avec de multiples entrées.</p> <p>Un dispositif de protection contre le piégeage LiftMaster avec surveillance (LMPE) est obligatoire.</p>	3 boutons Station de commande	Le bouton d'ouverture (OPEN) est enfoncé momentanément	Actionneur à la limite d'OUVERTURE	Aucun changement d'état
			Actionneur à la limite de FERMETURE	La porte s'ouvre à la limite d'OUVERTURE la plus proche ou s'arrête à mi-course
			Ouverture de la porte	Aucun changement d'état
			Fermeture de la porte	La porte inversera automatiquement sa course lorsqu'elle aura atteint sa limite d'OUVERTURE
			Porte à l'arrêt de mi-course d'ouverture	La porte s'ouvre à sa limite d'OUVERTURE
		La porte a interrompu sa course pendant le cycle d'ouverture ou de fermeture	La porte s'ouvre à sa limite d'OUVERTURE	
		Le bouton de fermeture (CLOSE) est enfoncé momentanément	Actionneur à la limite d'OUVERTURE	La porte se ferme à sa limite de FERMETURE
			Actionneur à la limite de FERMETURE	Aucun changement d'état
			Ouverture de la porte	Aucun changement d'état
			Fermeture de la porte	Aucun changement d'état
			Porte à l'arrêt de mi-course d'ouverture	La porte se ferme à sa limite de FERMETURE
		La porte a interrompu sa course pendant le cycle d'ouverture ou de fermeture	La porte se ferme à sa limite de FERMETURE	
		Le bouton de arrêt (STOP) est enfoncé momentanément	Actionneur à la limite d'OUVERTURE	Aucun changement d'état
			Actionneur à la limite de FERMETURE	Aucun changement d'état
			Ouverture de la porte	La porte interrompt sa course
			Fermeture de la porte	La porte interrompt sa course
			Porte à l'arrêt de mi-course d'ouverture	Aucun changement d'état
		La porte a interrompu sa course pendant le cycle d'ouverture ou de fermeture	Aucun changement d'état	
		Le bouton d'ouverture (OPEN) est maintenu (pression constante)	Actionneur à la limite d'OUVERTURE	Aucun changement d'état
			Actionneur à la limite de FERMETURE	La porte s'ouvre à la limite d'OUVERTURE la plus proche ou s'arrête à mi-course
	Ouverture de la porte		Aucun changement d'état	
	Fermeture de la porte		La porte inversera automatiquement sa course lorsqu'elle aura atteint sa limite d'OUVERTURE	
	Porte à l'arrêt de mi-course d'ouverture		La porte s'ouvre à sa limite d'OUVERTURE	
	La porte a interrompu sa course pendant le cycle d'ouverture ou de fermeture	La porte s'ouvre à sa limite d'OUVERTURE		
	Le bouton de fermeture (CLOSE) est maintenu (pression constante)	Actionneur à la limite d'OUVERTURE	La porte se ferme à sa limite de FERMETURE	
		Actionneur à la limite de FERMETURE	Aucun changement d'état	
		Ouverture de la porte	Aucun changement d'état	
		Fermeture de la porte	Aucun changement d'état	
		Porte à l'arrêt de mi-course d'ouverture	La porte se ferme à sa limite de FERMETURE	
	La porte a interrompu sa course pendant le cycle d'ouverture ou de fermeture	La porte se ferme à sa limite de FERMETURE		
	Télécommande à trois boutons programmée pour l'ouverture (OPEN), la fermeture (CLOSE) et l'arrêt (STOP) de la course.	Le bouton d'ouverture (OPEN) est enfoncé momentanément	Actionneur à la limite d'OUVERTURE	Aucun changement d'état
			Actionneur à la limite de FERMETURE	La porte s'ouvre à la limite d'OUVERTURE la plus proche ou s'arrête à mi-course
			Ouverture de la porte	Aucun changement d'état
			Fermeture de la porte	La porte inversera automatiquement sa course lorsqu'elle aura atteint sa limite d'OUVERTURE
			Porte à l'arrêt de mi-course d'ouverture	La porte s'ouvre à sa limite d'OUVERTURE
		La porte a interrompu sa course pendant le cycle d'ouverture ou de fermeture	La porte s'ouvre à sa limite d'OUVERTURE	
		Le bouton de fermeture (CLOSE) est enfoncé momentanément	Actionneur à la limite d'OUVERTURE	La porte se ferme à sa limite de FERMETURE
			Actionneur à la limite de FERMETURE	Aucun changement d'état
			Ouverture de la porte	Aucun changement d'état
			Fermeture de la porte	Aucun changement d'état
			Porte à l'arrêt de mi-course d'ouverture	La porte se ferme à sa limite de FERMETURE
		La porte a interrompu sa course pendant le cycle d'ouverture ou de fermeture	La porte se ferme à sa limite de FERMETURE	
	Le bouton de arrêt (STOP) est enfoncé momentanément	Actionneur à la limite d'OUVERTURE	Aucun changement d'état	
		Actionneur à la limite de FERMETURE	Aucun changement d'état	
		Ouverture de la porte	La porte interrompt sa course	
		Fermeture de la porte	La porte interrompt sa course	
		Porte à l'arrêt de mi-course d'ouverture	Aucun changement d'état	
	La porte a interrompu sa course pendant le cycle d'ouverture ou de fermeture	Aucun changement d'état		
	Télécommande à un seul bouton	Le bouton est enfoncé	Actionneur à la limite d'OUVERTURE	Aucun changement d'état
			Actionneur à la limite de FERMETURE	La porte s'ouvre à la limite d'OUVERTURE la plus proche ou s'arrête à mi-course
Ouverture de la porte			Aucun changement d'état	
Fermeture de la porte			La porte inversera automatiquement sa course lorsqu'elle aura atteint sa limite d'OUVERTURE	
Porte à l'arrêt de mi-course d'ouverture			Aucun changement d'état	
La porte a interrompu sa course pendant le cycle d'ouverture ou de fermeture	La porte s'ouvre à la limite d'OUVERTURE la plus proche ou s'arrête à mi-course			
Poste de commande à un seul bouton (câblé)	Est enfoncé :	Actionneur à la limite d'OUVERTURE	Aucun changement d'état	
		Actionneur à la limite de FERMETURE	La porte s'ouvre à la limite d'OUVERTURE la plus proche ou s'arrête à mi-course	
		Ouverture de la porte	Aucun changement d'état	
		Fermeture de la porte	La porte inversera automatiquement sa course lorsqu'elle aura atteint sa limite d'OUVERTURE	
		Porte à l'arrêt de mi-course d'ouverture	Aucun changement d'état	
La porte a interrompu sa course pendant le cycle d'ouverture	La porte s'ouvre à sa limite d'OUVERTURE			
La porte a interrompu sa course pendant le cycle de fermeture	La porte s'ouvre à sa limite d'OUVERTURE			
myQ	Une pression a été exercée sur l'image de la porte :	Actionneur à la limite d'OUVERTURE	La porte se ferme à sa limite de FERMETURE	
		Actionneur à la limite de FERMETURE	La porte s'ouvre à la limite d'OUVERTURE la plus proche ou s'arrête à mi-course	
		Ouverture de la porte	Aucun changement d'état	
		Fermeture de la porte	Aucun changement d'état	
		Porte à l'arrêt de mi-course d'ouverture	La porte se ferme à sa limite de FERMETURE	
La porte a interrompu sa course pendant le cycle d'ouverture ou de fermeture	La porte se ferme à sa limite de FERMETURE			

DÉTERMINATION ET CONFIGURATION DU TYPE DE CÂBLAGE (SUITE)

TYPE DE CÂBLAGE	DISPOSITIF	ACTION	ÉTAT	RÉPONSE	
<p>TS Mode Concessionnaire d'automobiles</p> <p>Caractéristiques : Le mode Concessionnaire automobiles utilise le SBC (entrée du contrôle par bouton unique) pour amener la porte d'une position fermée à une position ouverte et la conserver sur cet emplacement même avec des entrées multiples.</p> <p>Un dispositif de protection contre le piégeage LiftMaster avec surveillance (LMEP) est obligatoire.</p>	<p>3 boutons Station de commande</p>	<p>Le bouton d'ouverture (OPEN) est enfoncé momentanément</p>	Actionneur à la limite d'OUVERTURE	Aucun changement d'état	
			Actionneur à la limite de FERMETURE	La porte s'ouvre à la limite d'OUVERTURE la plus proche ou s'arrête à mi-course	
			Ouverture de la porte	Aucun changement d'état	
			Fermeture de la porte	La porte inversera automatiquement sa course lorsqu'elle aura atteint sa limite d'OUVERTURE	
			Porte à l'arrêt de mi-course d'ouverture	La porte s'ouvre à sa limite d'OUVERTURE	
		La porte a interrompu sa course pendant le cycle d'ouverture ou de fermeture	La porte s'ouvre à sa limite d'OUVERTURE		
		<p>Le bouton de fermeture (CLOSE) est enfoncé momentanément</p>	Actionneur à la limite d'OUVERTURE	La porte se ferme à sa limite de FERMETURE	
			Actionneur à la limite de FERMETURE	Aucun changement d'état	
			Ouverture de la porte	Aucun changement d'état	
			Fermeture de la porte	Aucun changement d'état	
			Porte à l'arrêt de mi-course d'ouverture	La porte se ferme à sa limite de FERMETURE	
		La porte a interrompu sa course pendant le cycle d'ouverture ou de fermeture	La porte se ferme à sa limite de FERMETURE		
		<p>Le bouton de arrêt (STOP) est enfoncé momentanément</p>	Actionneur à la limite d'OUVERTURE	Aucun changement d'état	
			Actionneur à la limite de FERMETURE	Aucun changement d'état	
			Ouverture de la porte	La porte interrompt sa course	
			Fermeture de la porte	La porte interrompt sa course	
			Porte à l'arrêt de mi-course d'ouverture	Aucun changement d'état	
		La porte a interrompu sa course pendant le cycle d'ouverture ou de fermeture	Aucun changement d'état		
		<p>Le bouton d'ouverture (OPEN) est maintenu (pression constante)</p>	Actionneur à la limite d'OUVERTURE	Aucun changement d'état	
			Actionneur à la limite de FERMETURE	La porte s'ouvre à la limite d'OUVERTURE la plus proche ou s'arrête à mi-course	
	Ouverture de la porte		Aucun changement d'état		
	Fermeture de la porte		La porte inversera automatiquement sa course lorsqu'elle aura atteint sa limite d'OUVERTURE		
	Porte à l'arrêt de mi-course d'ouverture		La porte s'ouvre à sa limite d'OUVERTURE		
	La porte a interrompu sa course pendant le cycle d'ouverture ou de fermeture	La porte s'ouvre à sa limite d'OUVERTURE			
	<p>Le bouton de fermeture (CLOSE) est maintenu (pression constante)</p>	Actionneur à la limite d'OUVERTURE	La porte se ferme à sa limite de FERMETURE		
		Actionneur à la limite de FERMETURE	Aucun changement d'état		
		Ouverture de la porte	Aucun changement d'état		
		Fermeture de la porte	Aucun changement d'état		
		Porte à l'arrêt de mi-course d'ouverture	La porte se ferme à sa limite de FERMETURE		
	La porte a interrompu sa course pendant le cycle d'ouverture ou de fermeture	La porte se ferme à sa limite de FERMETURE			
	<p>Télécommande à trois boutons programmée pour l'ouverture (OPEN), la fermeture (CLOSE) et l'arrêt (STOP) de la course.</p>	<p>Le bouton d'ouverture (OPEN) est enfoncé momentanément</p>	Actionneur à la limite d'OUVERTURE	Aucun changement d'état	
			Actionneur à la limite de FERMETURE	La porte s'ouvre à la limite d'OUVERTURE la plus proche ou s'arrête à mi-course	
			Ouverture de la porte	Aucun changement d'état	
			Fermeture de la porte	La porte inversera automatiquement sa course lorsqu'elle aura atteint sa limite d'OUVERTURE	
			Porte à l'arrêt de mi-course d'ouverture	La porte s'ouvre à sa limite d'OUVERTURE	
		La porte a interrompu sa course pendant le cycle d'ouverture ou de fermeture	La porte s'ouvre à sa limite d'OUVERTURE		
		<p>Le bouton de fermeture (CLOSE) est enfoncé momentanément</p>	Actionneur à la limite d'OUVERTURE	La porte se ferme à sa limite de FERMETURE	
			Actionneur à la limite de FERMETURE	Aucun changement d'état	
			Ouverture de la porte	Aucun changement d'état	
			Fermeture de la porte	Aucun changement d'état	
			Porte à l'arrêt de mi-course d'ouverture	La porte se ferme à sa limite de FERMETURE	
		La porte a interrompu sa course pendant le cycle d'ouverture ou de fermeture	La porte se ferme à sa limite de FERMETURE		
		<p>Le bouton de arrêt (STOP) est enfoncé momentanément</p>	Actionneur à la limite d'OUVERTURE	Aucun changement d'état	
			Actionneur à la limite de FERMETURE	Aucun changement d'état	
			Ouverture de la porte	La porte interrompt sa course	
			Fermeture de la porte	La porte interrompt sa course	
			Porte à l'arrêt de mi-course d'ouverture	Aucun changement d'état	
		La porte a interrompu sa course pendant le cycle d'ouverture ou de fermeture	Aucun changement d'état		
		<p>Télécommande à un seul bouton</p>	<p>Le bouton est enfoncé</p>	Actionneur à la limite d'OUVERTURE	Aucun changement d'état
				Actionneur à la limite de FERMETURE	La porte s'ouvre à la limite d'OUVERTURE la plus proche ou s'arrête à mi-course
	Ouverture de la porte			Aucun changement d'état	
	Fermeture de la porte			La porte inversera automatiquement sa course lorsqu'elle aura atteint sa limite d'OUVERTURE	
	Porte à l'arrêt de mi-course d'ouverture			Aucun changement d'état	
	La porte a interrompu sa course pendant le cycle d'ouverture ou de fermeture	La porte s'ouvre à la limite d'OUVERTURE la plus proche ou s'arrête à mi-course			
	<p>Poste de commande à un seul bouton (câblé)</p>	<p>Est enfoncé :</p>	Actionneur à la limite d'OUVERTURE	Aucun changement d'état	
			Actionneur à la limite de FERMETURE	La porte s'ouvre à la limite d'OUVERTURE la plus proche ou s'arrête à mi-course	
			Ouverture de la porte	Aucun changement d'état	
			Fermeture de la porte	La porte inversera automatiquement sa course lorsqu'elle aura atteint sa limite d'OUVERTURE	
			Porte à l'arrêt de mi-course d'ouverture	Aucun changement d'état	
	La porte a interrompu sa course pendant le cycle d'ouverture	La porte s'ouvre à sa limite d'OUVERTURE			
	La porte a interrompu sa course pendant le cycle de fermeture	La porte s'ouvre à sa limite d'OUVERTURE			
	<p>myQ</p>	<p>Une pression a été exercée sur l'image de la porte :</p>	Actionneur à la limite d'OUVERTURE	La porte se ferme à sa limite de FERMETURE	
			Actionneur à la limite de FERMETURE	La porte s'ouvre à la limite d'OUVERTURE la plus proche ou s'arrête à mi-course	
			Ouverture de la porte	Aucun changement d'état	
			Fermeture de la porte	Aucun changement d'état	
			Porte à l'arrêt de mi-course d'ouverture	La porte se ferme à sa limite de FERMETURE	
	La porte a interrompu sa course pendant le cycle d'ouverture ou de fermeture	La porte se ferme à sa limite de FERMETURE			

DÉTERMINATION ET CONFIGURATION DU TYPE DE CÂBLAGE (SUITE)

TYPE DE CÂBLAGE	DISPOSITIF	ACTION	ÉTAT	RÉPONSE	
<p>E2</p> <p>Contact momentané pour ouvrir avec neutralisation et pression constante pour fermer. Le relâchement du bouton de fermeture causera l'inversion de la course de la porte; plus câblage pour le dispositif capteur d'inversion de course. Compatible avec le poste à 3 boutons</p>	<p>3 boutons Station de commande</p>	<p>Le bouton d'ouverture (OPEN) est enfoncé momentanément</p>	Actionneur à la limite d'OUVERTURE	Aucun changement d'état	
			Actionneur à la limite de FERMETURE	La porte s'ouvre à sa limite d'OUVERTURE	
			Ouverture de la porte	Aucun changement d'état	
			Fermeture de la porte	La porte inversera automatiquement sa course lorsqu'elle aura atteint sa limite d'OUVERTURE	
			Porte à l'arrêt de mi-course d'ouverture	La porte s'ouvre à sa limite d'OUVERTURE	
			La porte a interrompu sa course pendant le cycle d'ouverture ou de fermeture	La porte s'ouvre à sa limite d'OUVERTURE	
		<p>Le bouton de fermeture (CLOSE) est enfoncé momentanément</p>	Actionneur à la limite d'OUVERTURE	La porte se ferme et sa course s'inverse automatiquement lorsque le bouton est relâché	
			Actionneur à la limite de FERMETURE	Aucun changement d'état	
			Ouverture de la porte	Aucun changement d'état	
			Fermeture de la porte	Aucun changement d'état	
			Porte à l'arrêt de mi-course d'ouverture	La porte se ferme et sa course s'inverse automatiquement lorsque le bouton est relâché	
			La porte a interrompu sa course pendant le cycle d'ouverture ou de fermeture	La porte se ferme et sa course s'inverse automatiquement lorsque le bouton est relâché	
		<p>Le bouton de arrêt (STOP) est enfoncé momentanément</p>	Actionneur à la limite d'OUVERTURE	Aucun changement d'état	
			Actionneur à la limite de FERMETURE	Aucun changement d'état	
			Ouverture de la porte	La porte interrompt sa course	
			Fermeture de la porte	La porte interrompt sa course	
			Porte à l'arrêt de mi-course d'ouverture	Aucun changement d'état	
			La porte a interrompu sa course pendant le cycle d'ouverture ou de fermeture	Aucun changement d'état	
		<p>Le bouton d'ouverture (OPEN) est maintenu (pression constante)</p>	Actionneur à la limite d'OUVERTURE	Aucun changement d'état	
			Actionneur à la limite de FERMETURE	La porte s'ouvre à sa limite d'OUVERTURE	
			Ouverture de la porte	Aucun changement d'état	
			Fermeture de la porte	La porte inversera automatiquement sa course lorsqu'elle aura atteint sa limite d'OUVERTURE	
			Porte à l'arrêt de mi-course d'ouverture	La porte s'ouvre à sa limite d'OUVERTURE	
			La porte a interrompu sa course pendant le cycle d'ouverture ou de fermeture	La porte s'ouvre à sa limite d'OUVERTURE	
	<p>Le bouton de fermeture (CLOSE) est maintenu (pression constante)</p>	Actionneur à la limite d'OUVERTURE	La porte se ferme à sa limite de FERMETURE		
		Actionneur à la limite de FERMETURE	Aucun changement d'état		
		Ouverture de la porte	Aucun changement d'état		
		Fermeture de la porte	Aucun changement d'état		
		Porte à l'arrêt de mi-course d'ouverture	La porte se ferme et sa course s'inverse automatiquement lorsque le bouton est relâché		
		La porte a interrompu sa course pendant le cycle d'ouverture ou de fermeture	La porte se ferme et sa course s'inverse automatiquement lorsque le bouton est relâché		
	<p>Télécommande à trois boutons programmée pour l'ouverture (OPEN), la fermeture (CLOSE) et l'arrêt (STOP) de la course.</p>	<p>Le bouton d'ouverture (OPEN) est enfoncé momentanément</p>	Actionneur à la limite d'OUVERTURE	Aucun changement d'état	
			Actionneur à la limite de FERMETURE	La porte s'ouvre à sa limite d'OUVERTURE	
			Ouverture de la porte	Aucun changement d'état	
			Fermeture de la porte	La porte inversera automatiquement sa course lorsqu'elle aura atteint sa limite d'OUVERTURE	
			Porte à l'arrêt de mi-course d'ouverture	La porte s'ouvre à sa limite d'OUVERTURE	
			La porte a interrompu sa course pendant le cycle d'ouverture ou de fermeture	La porte s'ouvre à sa limite d'OUVERTURE	
		<p>Le bouton de fermeture (CLOSE) est enfoncé momentanément</p>	Actionneur à la limite d'OUVERTURE	La porte se ferme et sa course s'inverse automatiquement lorsque le bouton est relâché	
			Actionneur à la limite de FERMETURE	Aucun changement d'état	
			Ouverture de la porte	Aucun changement d'état	
			Fermeture de la porte	Aucun changement d'état	
			Porte à l'arrêt de mi-course d'ouverture	La porte se ferme et sa course s'inverse automatiquement lorsque le bouton est relâché	
			La porte a interrompu sa course pendant le cycle d'ouverture ou de fermeture	La porte se ferme et sa course s'inverse automatiquement lorsque le bouton est relâché	
		<p>Le bouton de arrêt (STOP) est enfoncé momentanément</p>	Actionneur à la limite d'OUVERTURE	Aucun changement d'état	
			Actionneur à la limite de FERMETURE	Aucun changement d'état	
			Ouverture de la porte	La porte interrompt sa course	
			Fermeture de la porte	La porte interrompt sa course	
			Porte à l'arrêt de mi-course d'ouverture	Aucun changement d'état	
			La porte a interrompu sa course pendant le cycle d'ouverture ou de fermeture	Aucun changement d'état	
		<p>Télécommande à un seul bouton</p>	<p>Le bouton est enfoncé</p>	Actionneur à la limite d'OUVERTURE	Aucun changement d'état
				Actionneur à la limite de FERMETURE	Aucun changement d'état
				Ouverture de la porte	Aucun changement d'état
				Fermeture de la porte	Aucun changement d'état
				Porte à l'arrêt de mi-course d'ouverture	Aucun changement d'état
				La porte a interrompu sa course pendant le cycle d'ouverture ou de fermeture	Aucun changement d'état
	<p>Poste de commande à un seul bouton (câblé)</p>	<p>Est enfoncé :</p>	Actionneur à la limite d'OUVERTURE	Aucun changement d'état	
			Actionneur à la limite de FERMETURE	Aucun changement d'état	
			Ouverture de la porte	Aucun changement d'état	
			Fermeture de la porte	Aucun changement d'état	
			Porte à l'arrêt de mi-course d'ouverture	Aucun changement d'état	
			La porte a interrompu sa course pendant le cycle d'ouverture	Aucun changement d'état	
	<p>myQ</p>	<p>Une pression a été exercée sur l'image de la porte :</p>	Actionneur à la limite d'OUVERTURE	Aucun changement d'état	
			Actionneur à la limite de FERMETURE	La porte s'ouvre à sa limite d'OUVERTURE	
			Ouverture de la porte	Aucun changement d'état	
			Fermeture de la porte	Aucun changement d'état	
			Porte à l'arrêt de mi-course d'ouverture	Aucun changement d'état	
			La porte a interrompu sa course pendant le cycle d'ouverture ou de fermeture	Aucun changement d'état	

DÉTERMINATION ET CONFIGURATION DU TYPE DE CÂBLAGE (SUITE)

TYPE DE CÂBLAGE	DISPOSITIF	ACTION	ÉTAT	RÉPONSE	
D1 Pression constante pour ouvrir et fermer la porte avec câblage de dispositif capteur pour arrêter la course de la porte. Compatible avec le poste à 2 ou 3 boutons	3 boutons Station de commande	Le bouton d'ouverture (OPEN) est enfoncé momentanément	Actionneur à la limite d'OUVERTURE	Aucun changement d'état	
			Actionneur à la limite de FERMETURE	La porte s'ouvre et se ferme lorsque le bouton est relâché	
			Ouverture de la porte	Aucun changement d'état	
			Fermeture de la porte	Aucun changement d'état	
			Porte à l'arrêt de mi-course d'ouverture	La porte s'ouvre et se ferme lorsque le bouton est relâché	
			La porte a interrompu sa course pendant le cycle d'ouverture ou de fermeture	La porte s'ouvre et se ferme lorsque le bouton est relâché	
		Le bouton de fermeture (CLOSE) est enfoncé momentanément	Actionneur à la limite d'OUVERTURE	La porte s'ouvre et se ferme lorsque le bouton est relâché	
			Actionneur à la limite de FERMETURE	Aucun changement d'état	
			Ouverture de la porte	Aucun changement d'état	
			Fermeture de la porte	Aucun changement d'état	
			Porte à l'arrêt de mi-course d'ouverture	La porte s'ouvre et se ferme lorsque le bouton est relâché	
			La porte a interrompu sa course pendant le cycle d'ouverture ou de fermeture	La porte s'ouvre et se ferme lorsque le bouton est relâché	
		Le bouton de arrêt (STOP) est enfoncé momentanément	Actionneur à la limite d'OUVERTURE	Aucun changement d'état	
			Actionneur à la limite de FERMETURE	Aucun changement d'état	
			Ouverture de la porte	La porte interrompt sa course	
			Fermeture de la porte	La porte interrompt sa course	
			Porte à l'arrêt de mi-course d'ouverture	Aucun changement d'état	
			La porte a interrompu sa course pendant le cycle d'ouverture ou de fermeture	Aucun changement d'état	
		Le bouton d'ouverture (OPEN) est maintenu (pression constante)	Actionneur à la limite d'OUVERTURE	Aucun changement d'état	
			Actionneur à la limite de FERMETURE	La porte s'ouvre à sa limite d'OUVERTURE	
			Ouverture de la porte	Aucun changement d'état	
			Fermeture de la porte	La porte s'ouvre à sa limite d'OUVERTURE	
			Porte à l'arrêt de mi-course d'ouverture	La porte s'ouvre à sa limite d'OUVERTURE	
			La porte a interrompu sa course pendant le cycle d'ouverture ou de fermeture	La porte s'ouvre à sa limite d'OUVERTURE	
	Le bouton de fermeture (CLOSE) est maintenu (pression constante)	Actionneur à la limite d'OUVERTURE	La porte se ferme à sa limite de FERMETURE		
		Actionneur à la limite de FERMETURE	Aucun changement d'état		
		Ouverture de la porte	Aucun changement d'état		
		Fermeture de la porte	Aucun changement d'état		
		Porte à l'arrêt de mi-course d'ouverture	La porte se ferme à sa limite de FERMETURE		
		La porte a interrompu sa course pendant le cycle d'ouverture ou de fermeture	La porte se ferme à sa limite de FERMETURE		
	Télécommande à trois boutons programmée pour l'ouverture (OPEN), la fermeture (CLOSE) et l'arrêt (STOP) de la course.	Le bouton d'ouverture (OPEN) est enfoncé momentanément	Actionneur à la limite d'OUVERTURE	Aucun changement d'état	
			Actionneur à la limite de FERMETURE	La porte s'ouvre et se ferme lorsque le bouton est relâché	
			Ouverture de la porte	Aucun changement d'état	
			Fermeture de la porte	La porte s'ouvre à sa limite d'OUVERTURE	
			Porte à l'arrêt de mi-course d'ouverture	La porte s'ouvre et se ferme lorsque le bouton est relâché	
			La porte a interrompu sa course pendant le cycle d'ouverture ou de fermeture	La porte s'ouvre et se ferme lorsque le bouton est relâché	
		Le bouton de fermeture (CLOSE) est enfoncé momentanément	Actionneur à la limite d'OUVERTURE	La porte s'ouvre et se ferme lorsque le bouton est relâché	
			Actionneur à la limite de FERMETURE	Aucun changement d'état	
			Ouverture de la porte	Aucun changement d'état	
			Fermeture de la porte	Aucun changement d'état	
			Porte à l'arrêt de mi-course d'ouverture	La porte s'ouvre et se ferme lorsque le bouton est relâché	
			La porte a interrompu sa course pendant le cycle d'ouverture ou de fermeture	La porte s'ouvre et se ferme lorsque le bouton est relâché	
		Le bouton de arrêt (STOP) est enfoncé momentanément	Actionneur à la limite d'OUVERTURE	Aucun changement d'état	
			Actionneur à la limite de FERMETURE	Aucun changement d'état	
			Ouverture de la porte	La porte interrompt sa course	
			Fermeture de la porte	La porte interrompt sa course	
			Porte à l'arrêt de mi-course d'ouverture	Aucun changement d'état	
			La porte a interrompu sa course pendant le cycle d'ouverture ou de fermeture	Aucun changement d'état	
		Télécommande à un seul bouton	Le bouton est enfoncé	Actionneur à la limite d'OUVERTURE	Aucun changement d'état
				Actionneur à la limite de FERMETURE	Aucun changement d'état
Ouverture de la porte				Aucun changement d'état	
Fermeture de la porte				Aucun changement d'état	
Porte à l'arrêt de mi-course d'ouverture				Aucun changement d'état	
La porte a interrompu sa course pendant le cycle d'ouverture ou de fermeture				Aucun changement d'état	
Poste de commande à un seul bouton (câblé)	Est enfoncé :	Actionneur à la limite d'OUVERTURE	Aucun changement d'état		
		Actionneur à la limite de FERMETURE	Aucun changement d'état		
		Ouverture de la porte	Aucun changement d'état		
		Fermeture de la porte	Aucun changement d'état		
		Porte à l'arrêt de mi-course d'ouverture	Aucun changement d'état		
		La porte a interrompu sa course pendant le cycle d'ouverture	Aucun changement d'état		
myQ	Une pression a été exercée sur l'image de la porte :	Actionneur à la limite d'OUVERTURE	Aucun changement d'état		
		Actionneur à la limite de FERMETURE	Aucun changement d'état		
		Ouverture de la porte	Aucun changement d'état		
		Fermeture de la porte	Aucun changement d'état		
		Porte à l'arrêt de mi-course d'ouverture	Aucun changement d'état		
		La porte a interrompu sa course pendant le cycle d'ouverture ou de fermeture	Aucun changement d'état		

DÉTERMINATION ET CONFIGURATION DU TYPE DE CÂBLAGE (SUITE)

REMARQUES IMPORTANTES :

1. Des verrouillages externes peuvent être utilisés avec tous les modes fonctionnels.
2. Les dispositifs auxiliaires sont tout dispositifs qui ont seulement des contacts secs. Exemples : capteur de boucle, capteurs pneumatiques ou électriques, commandes radio, stations à un bouton, cordons de tirage, etc.
3. Surpassement d'ouverture signifie que la porte peut être inversée lors de sa fermeture en activant un dispositif d'ouverture sans avoir à utiliser d'abord le bouton d'arrêt.
4. Lorsque la porte est en position d'arrêt sans être toutefois complètement fermée, et qu'un dispositif de protection contre le piégeage ou un capteur d'ARÊTE est activé, le dispositif de Fermeture restreinte (RC) permettra une commande de fermeture lorsque le bouton de fermeture est pressé et tenu. L'ouvre-porte commencera à se fermer après 5 secondes. Si le bouton de fermeture est relâché, la porte s'arrête.
En mode E2, la porte se déplacera jusqu'à la position entièrement ouverte.

⚠ AVERTISSEMENT

Pour empêcher une BLESSURE GRAVE ou une MORT possible :

- Installer un dispositif de Protection contre le piégeage avec surveillance LiftMaster (LMEP).
- NE JAMAIS permettre aux enfants de faire fonctionner ou de jouer avec les boutons poussoirs de la commande de porte ou avec les télécommandes.

- Activer la porte SEULEMENT lorsqu'elle peut être vue clairement, qu'elle est correctement ajustée et qu'il n'y a aucune obstruction au déplacement de la porte.
- TOUJOURS garder la porte en vue jusqu'à ce qu'elle soit entièrement fermée. NE JAMAIS permettre à quiconque de croiser la trajectoire d'une porte qui se ferme.

CONFIGURATION myQ (EN OPTION)

La passerelle Internet LiftMaster myQ est exigée (modèle 828LM) pour l'application pour téléphone intelligent, commande par tablette ou ordinateur.

1. Pour accéder au mode de programmation, appuyez sur le bouton RADIO de la carte logique (le bouton DEL RADIO clignotera).
2. Pour programmer le dispositif myQ, placez-le en mode de programmation (consultez les instructions relatives au dispositif myQ en question).
3. Lorsque la programmation est terminée, le bouton DEL RADIO s'éteindra.

PROGRAMMATION DES TÉLÉCOMMANDES

Récepteur radio Security+ 2.0® à trois canaux intégrés, jusqu'à 90 dispositifs de télécommande et jusqu'à 30 émetteurs à code peuvent être ajoutés.

REMARQUE : La programmation suivante nécessite un dispositif de Protection contre le piégeage avec surveillance LiftMaster (LMEP).

TÉLÉCOMMANDE STANDARD

1. Pour commencer la programmation, appuyer et relâcher la bouton RADIO sur la carte logique (la DEL RADIO s'allume).
2. Appuyer et tenir le bouton de la télécommande jusqu'à ce que la DEL RADIO clignote rapidement, puis relâcher la bouton de la télécommande. La DEL RADIO demeurera allumée lorsque le bouton sera relâché. Répéter pour ajouter des télécommandes additionnelles.
3. Appuyer et relâcher le bouton RADIO pour compléter la programmation. Le mode de programmation RADIO se désactive si aucune activité ne se déroule dans un délai de 30 secondes. Les boutons DEL MAS et RADIO clignoteront brièvement pour indiquer que le mode de programmation de la carte RADIO est désactivé pour les télécommandes et les dispositifs d'entrée sans clé. La carte RADIO demeurera en mode de programmation pour 150 secondes supplémentaires afin d'accommoder les dispositifs myQ et s'éteindra entièrement si aucune activité n'est décelée.

REMARQUE : Si la programmation n'est pas terminée à l'intérieur d'un délai de 3 minutes, le mode de programmation sera désactivé et le bouton DEL RADIO s'éteindra.

POUR SUPPRIMER TOUS LES DISPOSITIFS myQ :

1. Pressez et relâchez sur le bouton RADIO de la carte logique (le voyant lumineux DEL RADIO clignotera).
2. Pressez et maintenez enfoncé le bouton MAS pendant 5 secondes. Le bouton DEL RADIO clignotera pendant approximativement 5 secondes, puis s'éteindra.

Tous les dispositifs myQ sont maintenant supprimés.

Aller à LiftMaster.com/myQ-CDO pour l'information de dépannage.

TÉLÉCOMMANDE À UN BOUTON PROGRAMMÉE COMME UNE COMMANDE À UN BOUTON (SBC)

Cette fonction programme une télécommande comme commande à un bouton sans fil. Cette fonction fonctionne dans les modes suivants :

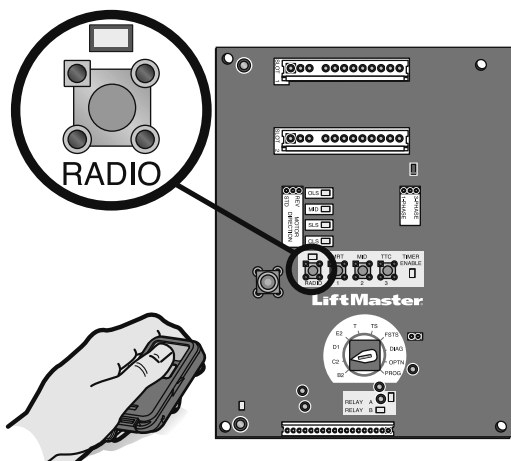
En mode B2, le fonctionnement est OUVRIR/ARRÊTER/FERMER/INVERSER/ARRÊTER.

En modes T et TS, le fonctionnement est OUVRIR/ARRÊTER/FERMER/INVERSER/ARRÊTER ET minuterie de fermeture démarrer/rafraîchir. **REMARQUE :** Si le mode concessionnaire automobile est activé, SBS sera ouvert seulement lors d'un arrêt à l'ouverture mi-course.

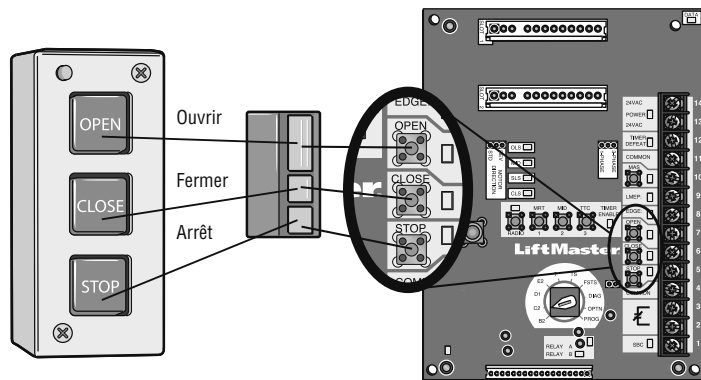
En mode FSTS, le fonctionnement est OUVERT avec minuterie de fermeture démarrer/rafraîchie seulement, surpassant un Ouvrir à mi-course programmé.

1. Appuyer et relâcher le bouton RADIO sur la carte logique (la DEL RADIO s'allume).
2. Enfoncer et relâcher le bouton SBC câblé à l'extérieur. La DEL RADIO clignote rapidement et reste allumée. (Si un bouton SBC câblé extérieurement n'est pas présent, un fil de liaison peut être utilisé pour court-circuiter momentanément les bornes SCB et COMMON)
3. Appuyer et tenir le bouton de la télécommande jusqu'à ce que la DEL RADIO clignote rapidement. La DEL RADIO demeurera allumée lorsque le bouton sera relâché.
4. Appuyer et lâcher le bouton RADIO sur la carte logique (la DEL RADIO clignote rapidement puis s'éteint). Le mode de programmation est quitté si aucune activité n'est effectuée durant 30 secondes. Les boutons DEL MAS et RADIO clignoteront brièvement pour indiquer que le mode de programmation de la carte RADIO est désactivé pour les télécommandes et les dispositifs d'entrée sans clé. La carte RADIO demeurera en mode de programmation pour 150 secondes supplémentaires afin d'accommoder les dispositifs myQ et s'éteindra entièrement si aucune activité n'est décelée.

REMARQUE : La télécommande à un bouton n'est pas supportée avec les mode de câblage D1 et E2. Le mode C2 effectuera seulement une ouverture et une fermeture lors de l'ouverture.



PROGRAMMATION DES TÉLÉCOMMANDES (SUITE)



TÉLÉCOMMANDE À 3 BOUTONS PROGRAMMÉE POUR L'OUVERTURE/LA FERMETURE/L'ARRÊT

REMARQUE : La programmation suivante nécessite un dispositif de Protection contre le piégeage avec surveillance LiftMaster (LMEP).

Votre télécommande Security+ 2.0® ou DIP programmable peut être programmée pour fonctionner comme station de commande sans fil à 3 boutons : le gros bouton ouvrira la porte, le bouton du milieu fermera la porte et le troisième bouton arrêtera le mouvement de la porte. Vous pouvez configurer cette fonctionnalité de la façon suivante :

1. Pour commencer la programmation, appuyer et relâcher le bouton RADIO sur la carte logique (la DEL RADIO s'allume).
2. Pour programmer le bouton OPEN (ouvrir) à une télécommande, appuyer et relâcher le bouton OPEN (ouvrir) sur la carte logique. La DEL RADIO clignote puis demeure allumée. Ensuite appuyer sur le bouton correspondant de la télécommande. La DEL RADIO sur la carte logique clignote, ceci confirme qu'elle a été programmée. (En programmant la télécommande vous utilisez 1 canal des 90 canaux sur le récepteur radio.)
3. Pour programmer le bouton CLOSE (fermer) à une télécommande, appuyer et relâcher le bouton CLOSE (fermer) sur la carte logique. La DEL RADIO clignote puis demeure allumée. Ensuite appuyer sur le bouton correspondant de la télécommande. La DEL RADIO sur la carte logique clignote, ceci confirme qu'elle a été programmée. (En programmant la télécommande vous utilisez 1 canal des 90 canaux sur le récepteur radio.)
4. Pour programmer le bouton STOP (arrêt) à une télécommande, appuyer et relâcher le bouton STOP (arrêt) sur la carte logique. La DEL RADIO clignote puis demeure allumée. Ensuite appuyer sur le bouton correspondant de la télécommande. La DEL RADIO sur la carte logique clignote, ceci confirme qu'elle a été programmée. (En programmant la télécommande vous utilisez 1 canal des 90 canaux sur le récepteur radio.)
5. Après l'apprentissage de la télécommande appuyer sur le bouton RADIO sur la carte logique (la DEL RADIO s'éteint).

REMARQUE : Si aucune activité n'est décelée dans un délai de 30 secondes, les boutons DEL MAS et RADIO clignoteront brièvement pour indiquer que le mode de programmation de la carte RADIO est désactivé pour les télécommandes et les dispositifs d'entrée sans clé. La RADIO demeurera en mode de programmation pour 150 secondes supplémentaires pour les dispositifs myQ et se s'éteindra entièrement sans activité.

FONCTION DE PROGRAMMATION DE LA TÉLÉCOMMANDE Programmation de télécommandes à partir de la station de commande à 3 boutons (3BCS).

Cette fonction permet à l'utilisateur d'ajouter des télécommandes supplémentaires à partir du 3BCS. Par défaut, l'option d'apprentissage de télécommande est hors fonction. **REMARQUE :** Requiert l'accès à la boîte électrique de l'ouvre-porte pour activer ou désactiver cette fonction.

Pour activer cette fonction :

1. Tourner le cadran de réglage à PROG.
2. Appuyer et relâcher le bouton RADIO. La DEL RADIO s'allume.
3. Appuyer et relâcher le bouton MID. La DEL RADIO clignote rapidement 6 fois.
4. Appuyer et relâcher le bouton RADIO. La DEL RADIO s'éteint.
5. Ramener le cadran de réglage au type de câblage désiré.

Pour ajouter des télécommandes à partir du 3BCS :

1. La porte étant en position entièrement fermée (fin de course de fermeture activée), appuyer et tenir STOP (arrêt).
2. Tout en tenant STOP (arrêt), appuyer et tenir CLOSE (fermer).
3. Tout en tenant STOP (arrêt) et CLOSE (fermer), appuyer et tenir OPEN (ouvrir).
4. Relâcher les trois boutons une fois que la DEL MAS s'est allumée.
5. Apprendre une télécommande par une des méthodes suivantes :
 - a. Programmation d'une télécommande standard à un bouton/une fonction, appuyer et tenir le bouton de la télécommande jusqu'à ce que la DEL MAS s'éteigne. Répéter les étapes 1 à 4 pour ajouter des télécommandes supplémentaires.
 - b. Programmation d'une télécommande 3 boutons/trois fonctions (OUVRIR/FERMER/ARRÊT), appuyer d'abord sur le bouton du 3BCS (Exemple : OPEN (ouvrir)) puis appuyer et tenir le bouton sur la télécommande (Exemple : le gros bouton) que vous désirez correspondre à la commande sélectionnée (Exemple : OPEN (ouvrir)) jusqu'à ce que la DEL MAS clignote et s'éteigne. Répéter les étapes 1 à 4 pour ajouter des boutons supplémentaires (FERMER ET ARRÊT).

PROGRAMMATION DES TÉLÉCOMMANDES (SUITE)

FONCTION DE PROGRAMMATION DE LA TÉLÉCOMMANDE

Programmation de télécommandes à partir de la station de commande à 3 boutons (3BCS) (suite)

Pour désactiver cette fonction :

1. Tourner le cadran de réglage à PROG.
2. Appuyer et relâcher le bouton RADIO. La DEL RADIO s'allume
3. Appuyer et relâcher le bouton MRT. La DEL RADIO clignote rapidement 3 fois.
4. Appuyer et relâcher le bouton RADIO. La DEL RADIO s'éteint.
5. Ramener le cadran de réglage au type de câblage désiré.

REMARQUE : Restaurer l'ouvre-porte aux valeurs d'usine par défaut (voir RESTAURATION DES VALEURS D'USINE PAR DÉFAUT) désactivera aussi cette fonction. Les télécommandes seront encore apprises.

SYSTÈME D'ALERTE D'ENTRETIEN (MAS)

Caractéristique : Un compteur de cycles interne activera une DEL clignotante sur la station de commande à 3 boutons lorsque le nombre prédéfini de cycles ou de mois sera écoulé (selon l'option qui se produit la première). Configurer cette fonction est optionnel. Par défaut, cette fonction ne s'active jamais. Les ouvre-portes Logic 4 incorporent un dispositif d'auto-diagnostic dans la DEL du MAS. En plus d'indiquer quand l'entretien de routine est dû, la DEL MAS peut être utilisée pour dépanner certaines problèmes de l'ouvre-porte.

Avantage : Le Système d'alerte d'entretien (MAS) aide le revendeur-installateur à établir un programme d'entretien de routine. Une fois programmé, le MAS avise l'utilisateur final (avec une DEL clignotante sur la station à 3 boutons) lorsqu'un nombre prédéfini de cycles/mois est écoulé et que l'entretien prévu est dû.

Pour programmer (à partir de la carte logique de l'opérateur) :

1. Fermer la porte.
2. Tourner le cadran de réglage à PROG.
3. Appuyer et relâcher le bouton MAS SET.
4. Appuyer sur le bouton STOP (arrêt) une fois pour vider la mémoire MAS.
5. Appuyer sur le bouton OPEN (ouvrir) une fois pour chaque incrément de 5000 cycles. Appuyer sur le bouton CLOSE (fermer) une fois pour chaque incrément de 3 mois.
6. Appuyer et relâcher le bouton MAS pour compléter la programmation. La DEL sur la carte clignotera les réglages programmés. La DEL OPEN (ouvrir) clignotera une fois pour chaque 5000 cycles. La DEL CLOSE (fermer) clignotera une fois pour chaque 3 mois.
7. Ramener le cadran de réglage au type de câblage désiré.

REMARQUE : Si la DEL MAS clignote 2 clignotements ou plus de suite suivis d'une pause, une erreur de l'ouvre-porte s'est produite. Tourner à la page 47 pour diagnostiquer le problème.

Exemple : Une porte est installée avec des ressorts 30 000 cycles et dispose d'un contrat de service annuel. Pour configurer le MAS, tourner le cadran de réglage à PROG, appuyer sur le bouton MAS, appuyer le bouton STOP (arrêt) pour vider la mémoire puis appuyer sur le bouton OPEN (ouvrir) 6 fois (30 000 cycles) et CLOSE (fermer) 4 fois (12 mois). Appuyer sur MAS de nouveau pour compléter la programmation. Ramener le cadran de réglage au type de câblage désiré.

Remarques spéciales au sujet du MAS : Un 5ème fil doit être passé à la station de commande pour activer la DEL MAS. La DEL MAS sur la carte logique est toujours activée. Lorsque l'ouvre-porte est entretenu après que la DEL MAS a commencé à clignoter, répéter la procédure de configuration pour programmer le nombre ou les cycles désirés jusqu'à la prochaine visite de service OU appuyer et tenir le bouton MAS durant 5 secondes dans le mode PROG pour restaurer le MAS avec la valeur programmée actuelle. Pour désactiver

EFFACEMENT DES TÉLÉCOMMANDES

Appuyer et tenir le bouton RADIO sur la carte logique jusqu'à ce que la DEL RADIO clignote rapidement (environ 5 secondes).

Toutes les télécommandes seront effacées.

AVIS : Cet appareil est conforme aux dispositions de la partie 15 du règlement de la FCC et de l'exemption de licence IC (Industrie Canada) RSS. L'utilisation est assujettie aux deux conditions suivantes : (1) ce dispositif ne peut causer d'interférences nuisibles, et (2) ce dispositif doit accepter toute interférence reçue, y compris toute interférence pouvant causer un fonctionnement non désiré.

Tout changement ou modification non expressément approuvé par la partie responsable de la conformité pourrait annuler l'autorité de l'utilisateur d'utiliser l'équipement.

Cet appareil doit être installé de manière à laisser une distance d'au moins 20 cm (8 po) entre celui-ci et l'utilisateur ou toute personne.

Cet appareil a été testé et déclaré conforme aux limites d'un dispositif numérique de Classe B, conformément à la partie 15 du règlement de la FCC et de la norme NMB d'Innovation, Sciences et Développement économique Canada. Ces limites ont pour but de fournir une protection raisonnable contre les interférences nuisibles dans une installation résidentielle. Cet équipement génère, utilise et peut émettre des fréquences radio et, s'il n'est pas installé et utilisé conformément aux instructions, peut causer des interférences nuisibles aux communications radio. Cependant, il n'existe aucune garantie que des interférences ne se produiront pas dans une installation particulière. Si cet équipement provoque des interférences nuisibles à la réception d'une diffusion sonore ou visuelle, ce qu'on peut déterminer en l'allumant et en l'éteignant, l'utilisateur est invité à essayer de résoudre ce problème en prenant une ou plusieurs des mesures suivantes :

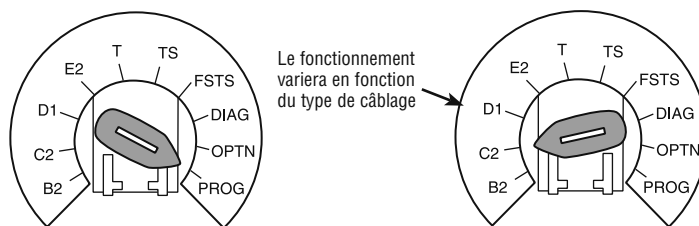
- Réorienter ou déplacer l'antenne de réception.
- Augmenter la distance entre l'équipement et le récepteur.
- Brancher l'appareil à une prise sur un circuit différent de celui du récepteur.
- Pour obtenir de l'aide, consulter le détaillant ou un radiotechnicien chevronné.

le MAS, suivre la procédure de programmation ci-dessus et appuyer sur le bouton STOP (arrêt) pour restaurer le compteur à zéro. Chaque fois que l'ouvre-porte quitte la fin de course fermée est compté comme un cycle.

Pour voir combien de cycles sont programmés dans le MAS, régler le cadran de réglage à DIAG et appuyer sur le bouton MAS. La DEL du bouton OPEN (ouvrir) clignotera une fois pour chaque incrément de 5 000 cycles programmé et le bouton CLOSE (fermer) clignotera une fois pour chaque incrément de 3 mois programmé.

Pour voir combien de cycles se sont écoulés depuis la dernière fois où le MAS été programmé, régler le cadran de réglage à DIAG et appuyer sur le bouton MAS. Appuyer sur le bouton OPEN (ouvrir); la DEL OPEN (ouvrir) clignotera une fois pour chaque 5 000 cycles qui se sont écoulés. Appuyer sur le bouton CLOSE (fermer); la DEL CLOSE (fermer) clignotera une fois pour chaque 3 mois qui se sont écoulés. Appuyer sur le bouton MAS pour sortir. Ramener le cadran de réglage au type de câblage désiré.

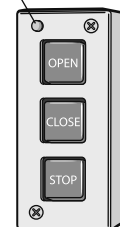
CADRAN DE RÉGLAGE



STATION À 3 BOUTONS

Appuyer sur	Pour obtenir
OPEN (OUVRIR)	Ajoute 5 000 cycles au compteur d'activation du Système d'alerte d'entretien.
CLOSE (FERMER)	Ajoute 3 mois à la minuterie d'activation du Système d'alerte d'entretien.
STOP (ARRÊT)	Vide la mémoire, configure le compteur d'activation du Système d'alerte d'entretien à 0 cycles et 0 mois.

DEL d'alerte d'entretien



AVERTISSEMENT

Pour empêcher une BLESSURE GRAVE ou une MORT possible :

- Installer un dispositif de Protection contre le piégeage avec surveillance LiftMaster (LMEP).
- NE JAMAIS permettre aux enfants de faire fonctionner ou de jouer avec les boutons poussoirs de la commande de porte ou avec les télécommandes.

- Activer la porte SEULEMENT lorsqu'elle peut être vue clairement, qu'elle est correctement ajustée et qu'il n'y a aucune obstruction au déplacement de la porte.
- TOUJOURS garder la porte en vue jusqu'à ce qu'elle soit entièrement fermée. NE JAMAIS permettre à quelqu'un de se trouver dans la trajectoire de la porte qui se ferme.

MINUTERIE DE FERMETURE

Caractéristique : La minuterie enclenche automatiquement la fermeture de la porte une fois la durée d'ouverture préprogrammée expirée. Tous les dispositifs de protection contre le piégeage doivent être dégagés.

Avantage : La porte se ferme automatiquement après un temps prédéterminé. Parfait pour les immeubles d'habitation, les postes de pompiers et autres applications où l'utilisateur désire que la porte se ferme automatiquement après une durée spécifiée.

Exigences : Au moins un dispositif de Protection contre le piégeage avec surveillance LiftMaster (LMEP) doit être installé (se référer à la page 20). Le type de câblage doit être configuré à TS, T ou FSTS.

POUR PROGRAMMER MANUELLEMENT (MÉTHODE 1) :

1. Fermer la porte.
2. Tourner le cadran de réglage à PROG.
3. Appuyer et relâcher le bouton TTC (minuterie) sur la carte logique.
4. Appuyer et relâcher le bouton STOP (arrêt) pour vider la minuterie.
5. Appuyer et relâcher le bouton OPEN (ouvrir) pour chaque seconde pendant laquelle l'ouvre-porte devrait attendre avant de tenter de fermer la porte. Appuyer et relâcher le bouton CLOSE (fermer) pour chaque 15 secondes pendant lesquelles l'ouvre-porte devrait attendre avant de fermer la porte.
6. Appuyer et relâcher le bouton TTC (minuterie) pour compléter la programmation. Les DEL OPEN (ouvrir)/CLOSE (fermer) clignotent pour confirmer la configuration de la minuterie. La DEL OPEN (ouvrir) clignote une fois pour chaque seconde programmée et la DEL CLOSE (fermer) clignote une fois pour chaque 15 secondes programmées.
7. Ramener le cadran de réglage au type de câblage désiré pour la minuterie (TS, T ou FSTS).

PROGRAMMATION DE LA MINUTERIE DE FERMETURE PAR EXEMPLE (MÉTHODE 2) :

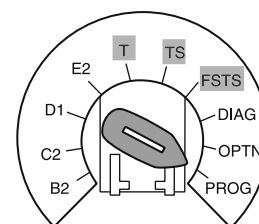
1. Fermer la porte.
2. Tourner le cadran de réglage à PROG.
3. Appuyer et tenir le bouton TTC (minuterie) durant 5 secondes jusqu'à ce que OPEN (ouvrir) et OLS clignotent puis relâcher.
4. Appuyer et relâcher le bouton OPEN (ouvrir) puis attendre que la porte atteigne la position entièrement ouverte ou mi-course.
5. Attendre que le temps désiré s'écoule. (Un chronomètre interne commence à compter lorsque la porte cesse de bouger.)
6. Appuyer et relâcher le bouton TTC (minuterie), le bouton CLOSE (fermer) ou le bouton STOP (arrêt) pour arrêter la minuterie. (la DEL TIMER ENABLE (réglage de minuterie) s'allume.)
7. Ramener le cadran de réglage au type de câblage désiré (T, TS ou FSTS).

REMARQUE : Pour relire le réglage de minuterie de fermeture, ramener le cadran de réglage à DIAG et appuyer sur le bouton TTC (minuterie). La DEL OPEN (ouvrir) clignote une fois pour chaque seconde programmée et la DEL CLOSE (fermer) clignote une fois pour chaque 15 secondes programmées.

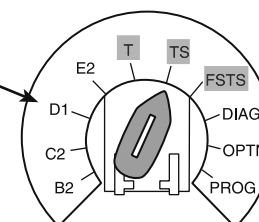
En mode T, la minuterie peut être désactivée de la position ouverte en appuyant sur le bouton STOP (arrêt). La minuterie sera réactivée lors de la prochaine commande de fonctionnement. Pour désactiver la minuterie durant plus d'un cycle en mode T ou en mode TS, fixer un interrupteur d'échec à 11 et 12 (COMMON (commun) et TIMER DEFEAT (échec de minuterie)).

Exemple : Pour fermer la porte après 70 secondes. Tourner le cadran de réglage à PROG, appuyer et relâcher le bouton TTC (minuterie), appuyer et relâcher le bouton STOP (arrêt) pour vider la minuterie, appuyer et relâcher le bouton CLOSE (fermer) quatre fois pour 60 secondes et appuyer et relâcher le bouton OPEN (ouvrir) 10 fois pour 10 secondes. Appuyer sur le bouton TTC (minuterie) pour terminer la programmation de la minuterie. Ramener le cadran de réglage au type de câblage désiré pour la minuterie. (TS, T, FSTS). Le bouton STOP (arrêt) NE désactivera PAS la minuterie en mode TS. Pour plus d'information sur les types de câblage TS, T et FSTS, se reporter à la page 28.

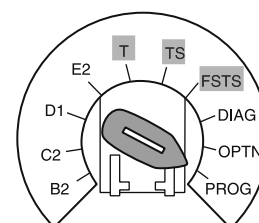
CADRAN DE RÉGLAGE



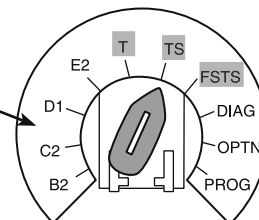
Le fonctionnement variera en fonction du type de câblage



CADRAN DE RÉGLAGE



Le fonctionnement variera en fonction du type de câblage



OUVERTURE À MI-COURSE

Caractéristique : La fonction d'arrêt à mi-course ouvrira une porte à une position préétablie avant la position d'ouverture complète (sauf pour le type de câblage FSTS avec commande à un bouton [SBC]. La commande à un seul bouton évitera l'arrêt programmé à mi-course).

Une commande momentanément ouverte ouvrira la porte en entier à partir de la position mi-course. Lorsque la porte a atteint sa position d'arrêt à mi-course, les capteurs photoélectriques et les autres dispositifs de protection contre le piégeage n'ouvriront pas la porte au-delà de la position d'arrêt à mi-course lorsqu'un obstacle est détecté, sauf dans le cas d'un câblage de type E2. La minuterie de fermeture fonctionnera à partir de la mi-course.

Avantage : La porte s'ouvre à mi-parcours entre ouvert et fermé réduisant les coûts de chauffage et de climatisation. Le cycle de la porte ne sera pas complet, permettant une durée accrue de la porte et de l'ouvre-porte.

Pour programmer :

1. Fermer la porte.
2. Tourner le cadran de réglage à PROG.
3. Appuyer et relâcher le bouton MID sur la carte logique.
4. Appuyer sur le bouton OPEN (ouvrir), attendre que la porte atteigne la hauteur de mi-course désirée, puis appuyer et relâcher le bouton STOP (arrêt).
5. Appuyer et relâcher le bouton MID pour compléter la programmation.
6. Ramener le cadran de réglage au type de câblage désiré.

REMARQUE : Pour annuler la fonction d'arrêt à mi-course, régler le cadran sélecteur à PROG. Enfoncer le bouton MID et le maintenir enfoncé pendant 5 secondes. La DEL MID clignotera rapidement et s'éteindra lorsque la mi-course aura été annulée. Ramener le cadran de réglage au type de câblage désiré.

MODE CONCESSIONNAIRE AUTOMOBILE

Caractéristique : Le mode Concessionnaire automobile utilise l'entrée de commande à un bouton (Bornes SBC 1 et 4) pour amener la porte de la position fermée à la position programmée mi-course ouverte. L'actionneur ignorera les commandes SBC supplémentaires lorsqu'il est en position d'arrêt à mi-course.

Avantage : Permet des économies d'énergie en limitant la hauteur d'ouverture de la porte.

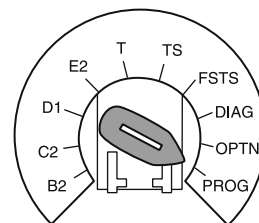
Exigences : Cette fonction agit conjointement avec la fonction minuterie de fermeture programmable. Pour activer cette fonction, connecter une pédale, un capteur photoélectrique ou un accessoire de détection de boucle à l'entrée SBC et à au moins un dispositif surveillé de protection contre le piégeage LiftMaster installé (se reporter à la page 20). Le type de câblage doit être configuré à TS, T ou FSTS (situé sur la carte logique). Avant d'effectuer la programmation en mode Concessionnaire d'automobiles, les fonctions d'arrêt à mi-course et de minuterie de fermeture doivent être programmées.

POUR PROGRAMMER :

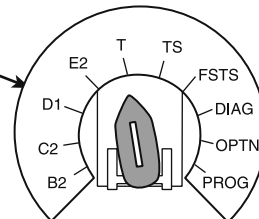
1. Fermer la porte.
2. Tourner le cadran sélecteur à PROG.
3. Appuyer sur le bouton TTC (minuterie de fermeture) et le relâcher (la DEL verte d'activation de la minuterie s'allumera).
4. Enfoncer et relâcher le bouton MID. Le mode Concessionnaire d'automobiles est maintenant activé. (La DEL verte d'activation de la minuterie de fermeture clignotera 6 fois indiquant que le mode Concessionnaire d'automobiles a été activé.)
5. Appuyer et relâcher le bouton TTC (minuterie).
6. Ramener le cadran de réglage au type de câblage désiré (TS ou T).

REMARQUE : Pour désactiver le mode Concessionnaire, suivre les étapes 2 et 3, puis appuyer sur le bouton MRT et relâcher. (La DEL verte timer (minuterie) clignotera 3 fois pour indiquer que le mode Concessionnaire automobile est désactivé.)

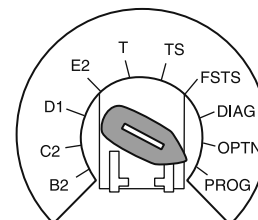
CADRAN DE RÉGLAGE



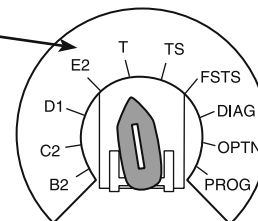
Le fonctionnement variera en fonction du type de câblage



CADRAN DE RÉGLAGE



Le fonctionnement variera en fonction du type de câblage



MINUTERIE DE FONCTIONNEMENT MAXIMAL (MRT)

Caractéristique : L'ouvre-porte peut apprendre le temps nécessaire pour ouvrir ou fermer la porte plus ajouter un 10 secondes supplémentaires.

Avantage : Si l'actionneur n'atteint pas l'interrupteur de limite d'ouverture ou de fermeture dans le délai établi, l'actionneur s'arrêtera pour limiter les dommages potentiels à la porte et à l'actionneur.

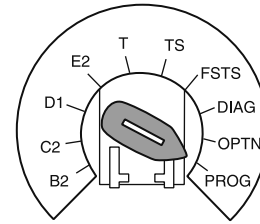
Pour programmer :

REMARQUE : La configuration par défaut pour le MRT est de 90 secondes. Pour régler manuellement la minuterie de course maximale, suivre les étapes ci-dessous.

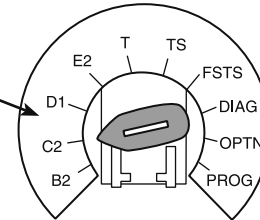
1. Fermez la porte.
2. Tourner le cadran de réglage à PROG.
3. Appuyer et relâcher le bouton MRT sur la carte logique.
4. Appuyer sur le bouton OPEN (ouvrir) et attendre que la porte atteigne la fin de course entièrement ouvert.
5. Lorsque la porte a atteint la position ouverte, la programmation est complète.
6. Ramener le cadran de réglage au type de câblage désiré.

REMARQUE : Pour restaurer le MRT seulement, tourner le cadran de réglage à PROG puis appuyer et tenir le bouton MRT jusqu'à ce que la DEL MAS clignote rapidement.

CADRAN DE RÉGLAGE



Le fonctionnement variera en fonction du type de câblage



RESTAURATION DES VALEURS D'USINE PAR DÉFAUT - EFFACEMENT DE LA MÉMOIRE

Pour restaurer la plupart des configurations installées par l'utilisateur aux valeurs d'usine par défaut :

1. Tourner le cadran de réglage à DIAG.
2. Appuyer et tenir le bouton STOP (arrêt) durant 5 secondes. La DEL MAS clignotera un instant puis les valeurs d'usine par défaut seront restaurées.
3. Ramener le cadran de réglage au type de câblage désiré.

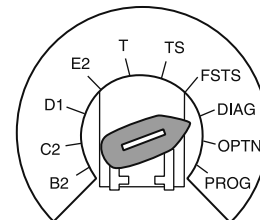
Réglages d'usine par défaut :

- a. Minuterie de fermeture = 0 seconde.
- b. La mi-course est désactivée.
- c. Le Système d'alerte d'entretien est désactivé.
- d. La Minuterie de fonctionnement maximal = 90 secondes.
- e. Le mode Concessionnaire automobile est désactivé.
- f. Les télécommandes et dispositifs myQ resteront programmables.
- g. La programmation des télécommandes se fait par la station à 3 boutons est désactivé.
- h. Le ou les dispositifs surveillés de protection contre le piégeage LiftMaster seront supprimés de la mémoire de l'actionneur.

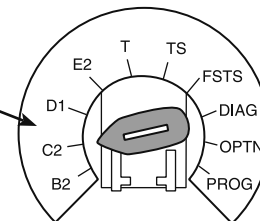
REMARQUE : Pour supprimer des dispositifs surveillés de protection contre le piégeage de la mémoire de l'actionneur, ceux-ci doivent être déconnectés avant d'effectuer la réinitialisation.

REMARQUE : La fonctionnalité Durée de vie de l'actionneur (odomètre/compteur de cycles), les télécommandes ainsi que les dispositifs myQ programmés ne sont pas supprimés.

CADRAN DE RÉGLAGE



Le fonctionnement variera en fonction du type de câblage



ENTRETIEN

PÉRIODICITÉS D'ENTRETIEN

Pour utilisation avec le Système d'alerte d'entretien.
Vérifier aux intervalles énumérés dans le tableau suivant :



AVERTISSEMENT

Pour éviter des BLESSURES personnelles SÉRIEUSES ou la MORT :

- Déconnecter l'alimentation électrique AVANT d'effectuer TOUT ajustement ou entretien.
- TOUT entretien DOIT être effectué par un technicien formé en systèmes de porte.

ÉLÉMENT	PROCÉDURE	CHAQUE MOIS	CHAQUE 3 MOIS OU 5000 CYCLES	CHAQUE 6 MOIS OU 10000 CYCLES
Chaîne d'entraînement	Vérifier s'il y a un mou excessif. Vérifier et ajuster si nécessaire. Lubrifier.		●●	
Pignons	Vérifier si les vis de serrage sont bien serrées.		●	
Embrayage	Vérifier et ajuster si nécessaire.			●
Courroie	Vérifier la condition et la tension.			●
Fixations	Check and tighten as required.			●
Déconnexion manuelle	Vérifier et resserrer si nécessaire.			●
Roulements d'arbre	Vérifier l'usure et lubrifier.		●●	
Arbres	Vérifier l'usure et lubrifier.		●●	
Frein électrique	Inspecter le patin du frein			●
Protection contre le piégeage avec surveillance LiftMaster (LMPEP)	Vérifier l'alignement et la fonctionnalité.	●		

◆ **Utiliser l'huile SAE 30 (N'utilisez jamais de graisse ou de silicone en vaporisateur).**

- Ne pas lubrifier le moteur. Les roulements du moteur sont classés pour un fonctionnement continu.
- Ne pas lubrifier l'embrayage ou la courroie en V.

● Inspecter et faire l'entretien chaque fois qu'un mauvais fonctionnement est observé ou suspecté.

COMMENT COMMANDER LES PIÈCES DE RECHANGE

NOTRE IMPORTANTE ORGANISATION DE SERVICE COUVRE L'AMÉRIQUE

Des renseignements concernant l'installation et le service sont disponibles. Appelez notre numéro SANS FRAIS :

1-800-528-2806 - LiftMaster.com

FONCTION DE DURÉE DE VIE DE L'OUVRE-PORTE

La carte logique est équipée d'un compteur de cycles qui indique le nombre de cycles effectués et le nombre de mois de service de l'actionneur depuis son installation. Si la carte logique est remplacée, tous les paramètres seront remis à zéro.

1. Commencer avec la porte en position fermée.
2. Tourner le cadran de réglage à DIAG.
3. Appuyer et relâcher le bouton MAS sur la carte logique.
4. Appuyer et relâcher le bouton MRT sur la carte logique.
5. Lest témoins ouvert et fermé clignoteront. OPEN (ouvrir) pour chaque 5000 cycles et CLOSE (fermer) pour chaque 3 mois.

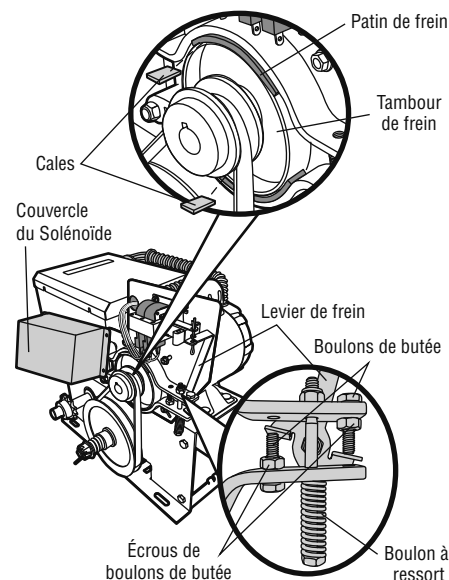
6. Ramener le cadran de réglage au type de câblage désiré.
REMARQUE : Si l'ouvre-porte n'a pas atteint 5000 cycles ou 3 mois, il n'y aura aucune indication. Si la carte logique est remplacée, les cycles et les heures seront remis à zéro.

FREIN

Un frein à tambour est standard sur les actionneurs de modèles T, H, J et HJ avec moteurs de ¾ HP et plus. Il est réglé en usine; toutefois, des réglages occasionnels peuvent s'avérer nécessaires durant la vie utile du frein.

RÉGLAGE DU FREIN À TAMBOUR :

1. Activer manuellement le frein en tenant le levier du frein vers l'arrière et insérer un type de cale (une carte de visite ou un morceau de papier plié fera l'affaire) entre le patin du frein et le tambour du frein aussi loin que possible du boulon à ressort, tout en continuant d'insérer la cale entre le patin du frein et le tambour du frein. Relâcher le levier du frein. Cela créera l'espace nécessaire pour garantir que le frein ne traîne pas lorsque la porte est en mouvement.
2. Serrer les deux boutons de butée jusqu'à ce qu'ils entrent en contact avec le levier. Fixer les boutons de butée en serrant les écrous des boulons de butée. Enlever la cale utilisée à l'étape 1.
3. Serrer ou desserrer le boulon à ressort pour augmenter ou relâcher la force de freinage.
4. Connecter l'alimentation à l'actionneur. Faire fonctionner l'actionneur et s'assurer que le frein fonctionne correctement.
5. Faire tout réglage nécessaire. Si le solénoïde bourdonne pendant qu'il fonctionne, desserrer le boulon à ressort jusqu'à ce que le bourdonnement cesse lorsque l'actionneur est en mouvement. Un solénoïde qui bourdonne exercera une contrainte sur ce dernier et pourrait entraîner sa défaillance précoce.



DÉPANNAGE

FICHE DIAGNOSTIQUE

La carte logique a plusieurs DEL pour aider à l'installation et au dépannage de l'ouvre-porte. Le tableau suivant devrait aider à vérifier si l'ouvre-porte fonctionne correctement. Tourner le cadran de réglage à DIAGNOSTIC pour empêcher la porte de bouger durant le dépannage.

DEL	COULEUR	DÉFINITION
Power (alim.)	Vert	Indique que l'alimentation est générée pour la carte logique.
Stop (Arrêt)	Vert	Indique un circuit fermé entre le commun et la borne 5. Une pression sur le bouton d'arrêt devrait éteindre cette DEL.
Open (Ouvrir)	Jaune	Indique un circuit fermé entre le commun et la borne 7. Appuyer sur le bouton Open (ouvrir) devrait allumer cette DEL.
Close (Fermer)	Jaune	Indique un circuit fermé entre le commun et la borne 6. Appuyer sur le bouton Close (fermer) devrait allumer cette DEL.
LMEP	Vert	Une DEL allumée en continu indique que le dispositif surveillé de protection contre le piégeage a été programmé et qu'il est fonctionnel. Une DEL qui clignote indique que les capteurs sont obstrués, qu'il existe un problème de câblage ou le ou les dispositifs surveillés de protection contre le piégeage ont été enlevés. **. Un voyant lumineux non clignotant indique qu'aucun capteur n'est programmé.
Échec de minuterie	Jaune	Allumé en continu indique un circuit fermé entre le commun et la borne 12. Minuterie de fermeture ne se ferme pas.
OLS	Jaune	Appuyer sur l'interrupteur de fin de course ouvert devrait allumer cette DEL. Indique que l'interrupteur de fin de course (direction ouverture) est activé.
CLS	Jaune	Appuyer sur l'interrupteur de fin de course fermé devrait allumer cette DEL. Indique que l'interrupteur de fin de course (direction fermeture) est activé.
SLS	Jaune	Appuyer sur l'interrupteur de fin de course de sécurité devrait allumer cette DEL. Indique que le capteur de l'interrupteur de fin de course est activé.
Edge (chant)	Jaune	Indique un circuit fermé entre le commun et la borne 8. Une pression sur le bouton Edge (chant) devrait allumer cette DEL.
Mid Stop (mi course)	Jaune	Une DEL allumée en continu indique que la porte s'est arrêtée à mi-course pendant l'ouverture. Clignotant indique que la mi-course est en cours de configuration.
Minuterie activée	Vert	Une DEL allumée en continu indique que la MINUTERIE a été programmée et qu'elle s'activera à partir des positions d'ouverture ou d'arrêt à mi-course. Le clignotement de la DEL indique que la minuterie effectue le décompte et que la porte se fermera après le délai programmé. Chaque clignotement représente une seconde de temps préprogrammé.
SBC	Jaune	Indique un circuit fermé entre le commun et la borne 1. Une pression sur le bouton du poste à un seul bouton devrait allumer cette DEL.
MAS	Jaune	Indique que le Système d'alerte d'entretien a été activé ou qu'un code d'erreur a été déclenché.
Relais A	Jaune	Indique qu'une commande d'ouverture (OPEN) ou de fermeture (CLOSE) a été donnée au moteur. La DEL s'allume lorsque le bouton OPEN (ouvrir)/CLOSE (fermer) est pressé.
Relais B	Jaune	Indique qu'une commande d'ouverture (OPEN) ou de fermeture (CLOSE) a été donnée au moteur. La DEL s'allume lorsque le bouton OPEN (ouvrir)/CLOSE (fermer) est pressé.
DATA (données)	Vert	Indique la communication entre la carte logique et la TLS1CARD en option.

DEL RADIO ambre : Se reporter à la page 48 pour les codes de la DEL RADIO.

** FERMETURE RESTREINTE. Cette méthode vous permet de fermer la porte lorsque le ou les dispositifs LMEP ne fonctionnent plus. Appuyer et tenir le bouton CLOSE (fermer) jusqu'à ce que la porte atteigne la fin de course fermée. Si le bouton CLOSE (fermer) est relâché avant que la porte atteigne la fin de course fermée, l'ouvre-porte s'arrête et la procédure doit être répétée pour fermer complètement la porte.

GUIDE DE DÉPANNAGE

DÉFAUT	CAUSE POSSIBLE	CORRECTION
UN DÉCLIC DU RELAIS SE FAIT ENTENDRE LORSQU'UNE COMMANDE A ÉTÉ DONNÉE JUSTE AVANT LE MOUVEMENT DU MOTEUR. LA DEL DU RELAIS SUR LE TABLEAU CLIGNOTE EN MÊME TEMPS QUE LE DÉCLIC EST ÉMIS.	Ceci est tout à fait normal.	Aucune mesure n'est nécessaire. Voir Présentation de la carte logique (page 27) pour plus d'information sur la détection de courant.
L'OUVRE-PORTE NE RÉPOND À AUCUNE COMMANDE.	<p>a) Pas d'alimentation.</p> <p>b) Poste de commande mal connecté ou mal câblé</p> <p>c) L'interrupteur de verrouillage est activé.</p> <p>d) Le cadran de réglage est encore en mode PROG, OPTN, ou DIAG.</p> <p>e) Le moteur fonctionne mal.</p> <p>f) La surcharge thermique du moteur s'est déclenchée.</p> <p>g) Mauvais fonctionnement possible d'un accessoire.</p> <p>h) La carte d'alimentation peut devoir être remplacée.</p> <p>i) Défaut possible de la carte logique.</p>	<p>► A) S'assurer que l'alimentation est connectée aux bornes L1, L2 et L3.</p> <p>B) Vérifier le faisceau de câbles et s'assurer qu'il est connecté au bon connecteur d'alimentation.</p> <p>C) Vérifier le transformateur.</p> <p>► Utiliser les DEL OPEN (ouvrir), CLOSE (fermer) et STOP (arrêt) pour aider à vérifier si le câblage est correct. Vérifier que la carte accepte les commandes en utilisant la station embarquée. La DEL verte en regard du bouton d'arrêt doit être allumée.</p> <p>► Vérifier les verrouillages. Si plus d'un verrouillage externe est présent, ils doivent être câblés en série. La DEL verte à côté du bouton STOP (arrêt) doit être allumée.</p> <p>► Régler le cadran de réglage sur le type de câblage désiré.</p> <p>► Vérifier qu'une tension adéquate est fournie au moteur (vérifier la plaque signalétique du moteur).</p> <p>► Vérifier si le moteur est chaud. Laisser le moteur refroidir avant de tenter de bouger la porte. Faire effectuer un cycle à l'ouvre-porte en pression constante un cycle complet. (Ouvert (OPEN) et fermé (CLOSE) pour restaurer le défaut)</p> <p>► Déconnecter tous les dispositifs, les relier un à la fois en testant la présence de défaut après que chacun soit rajouté.</p> <p>► Lorsque le bouton d'ouverture (OPEN) ou de fermeture (CLOSE) est enfoncé, la DEL du relais A ou B devrait s'allumer et la porte devrait se déplacer dans la direction correspondante. Si la DEL du relais A ou B s'allume et que la porte ne se déplace pas, il faudra peut-être remplacer le tableau d'alimentation.</p> <p>► Remplacer la carte logique.</p>
LA DEL D'ALIMENTATION NE S'ALLUME PAS.	<p>a) Connexions de câblage secondaires desserrées ou transformateur de commande défectueux.</p> <p>b) Interrupteur de verrouillage du treuil engagé.</p>	<p>► Réparer ou remplacer les connexions ou le transformateur de commande.</p> <p>► Vérifier le verrouillage. Vérifier que la chaîne de dégagement manuel n'est pas engagée.</p>
LA DEL DU BOUTON D'ARRÊT NE S'ALLUME PAS.	<p>a) La station de commande n'est pas connectée ou câblée correctement.</p> <p>b) Mauvais fonctionnement de l'interrupteur de verrouillage.</p>	<p>► Vérifier le câblage à la station de commande.</p> <p>► Vérifier la continuité de la ou des interrupteurs de verrouillage.</p>
LA PORTE BOUGE D'ENVIRON UN PIED PUIS S'ARRÊTE. APRÈS L'ARRÊT, SEULE UNE COMMANDE À PRESSION CONSTANTE FAIT BOUGER LA PORTE.	<p>a) Le capteur de régime du moteur n'est pas connecté correctement ou fonctionne mal.</p> <p>b) L'embrayage glisse.</p>	<p>► Vérifier l'ensemble du capteur de régime pour détecter les connexions desserrées. S'assurer que la coupelle de l'interrupteur tourne lorsque l'actionneur fonctionne. Vérifier si un corps étranger bloque la lentille optique.</p> <p>► Remplacer le capteur de régime du moteur.</p> <p>► Ajuster l'embrayage et vérifier que la porte ne se bloque pas.</p>
LA PORTE BOUGE SUR PRESQUE TOUTE SA COURSE VERS SA FIN DE COURSE PUIS S'ARRÊTE. LA PORTE COMPLÈTE LE CYCLE D'OUVERTURE OU DE FERMETURE PAR UNE COMMANDE SUPPLÉMENTAIRE.	La minuterie de fonctionnement maximal n'est pas configurée correctement	► Reprogrammer manuellement la minuterie de fonctionnement maximal (page 43) OU restaurer les valeurs d'usine par défaut (page 43).
LA PORTE S'OUVRE UN PEU MAIS PAS COMPLÈTEMENT. UN OPEN (OUVRIR) SUPPLÉMENTAIRE PERMET D'OUVRIR LA PORTE COMPLÈTEMENT.	Un arrêt à mi-course a peut-être été réglé.	► Vérifier si la DEL de mi-course est allumée. Annuler la mi-course en tournant le cadran de réglage à PROG (programmation). Appuyer et tenir le bouton MID STOP (mi-course) durant 5 secondes. Ramener le cadran au type de câblage désiré.
LA PORTE S'OUVRE MAIS SE FERME SEULEMENT APRÈS UN DÉLAI DE CINQ SECONDES AVEC UNE PRESSION CONSTANTE SUR LE BOUTON CLOSE (FERMER) (MODE DE FERMETURE RESTREINTE)	<p>a) Le dispositif de protection contre le piégeage branché est entravé ou activé.</p> <p>b) La carte logique pense que les capteurs photoélectriques à connexion directe sont attachés ou bloqués.</p>	<p>► Si la DEL LMEP sur la carte clignote, le capteur photoélectrique est désaligné ou non connecté. Retirez tout obstacle, vérifiez le câblage du dispositif de protection contre le piégeage pour s'assurer de la présence de continuité au circuit de sécurité ou pour détecter la présence de courts-circuits. Dans l'éventualité où plus d'un dispositif de protection contre le piégeage est installé au moyen d'une carte CPS3CARD, le voyant du dispositif de protection ne clignotera pas si l'un de ceux-ci est entravé.</p> <p>► Désapprendre les capteurs photoélectriques de la mémoire en restaurant aux valeurs d'usine par défaut.</p>

CODES D'ERREUR DE DÉPANNAGE

Les ouvre-portes Logic 5.0 comprennent une fonction d'auto-diagnostic intégrée dans la DEL MAS. En plus d'indiquer quand l'entretien de routine est dû, la DEL MAS peut être utilisée pour dépanner certaines problèmes de l'ouvre-porte.

Si la DEL MAS sur la carte logique ou sur le poste de commande à trois boutons clignote rapidement, c'est que le système d'alerte d'entretien s'est déclenché et qu'un entretien de l'actionneur doit être effectué. Si la DEL MAS clignote 2 clignotements ou plus de suite suivis d'une pause, une erreur de l'ouvre-porte s'est produite. Pour voir les codes d'erreur, tourner le cadran sélecteur à DIAG et appuyer sur le bouton d'ouverture (OPEN). Pour voir les codes d'erreur individuels (s'il existe plus d'un code), appuyer sur le bouton de fermeture (CLOSE). Il est possible d'avoir plus d'une erreur à la fois.

Utiliser le tableau ci-dessous pour déterminer l'erreur.

CODE D'ERREUR	DESCRIPTION	SYMPTÔME	SOLUTION
1 clignotement	MAS déclenché (cycles ou mois).	Fonctionnement normal.	Réinitialiser le MAS (page 40).
2 clignotements	Aucune entrée de régime du moteur pendant l'ouverture ou la fermeture.	La porte répond seulement aux commandes à pression constante. OU Aucun mouvement de l'actionneur triphasé.	L'embrayage glisse, ajuster l'embrayage, ou vérifier la connexion du capteur de régime du moteur ou remplacer le capteur de régime du moteur. REMARQUE : Pour réapprendre le capteur de régime du moteur, déplacer la porte avec une commande à pression constante. La porte s'arrête lorsqu'elle a réappris et le fonctionnement normal reprend. OU Remplacer la carte d'alimentation triphasée.
3 clignotements	Temporisation de la minuterie de fonctionnement maximal (MRT).	La porte s'arrête avant d'atteindre le délai désiré.	Vérifier l'actionneur pour tout défaut (p. ex. interrupteur de limite défectueux), programmer la minuterie de course maximale OU réinitialiser aux paramètres réglés en usine.
4 clignotements	Obstacle détecté à la fermeture.	L'ouvre-porte s'inversera à la position OPEN (ouvrir).	Enlever l'obstacle ou réaligner le capteur photoélectrique.
5 clignotements	Un bouton est collé (pendant plus de 2 minutes).	Le poste de commande ne répond pas.	Le poste de commande doit être réparé ou remplacé avant qu'il soit reconnu comme une entrée.
6 clignotements	Carte à option non valide branchée dans les réceptacles de la carte à option.	La carte à option ne fonctionne pas correctement.	Se référer à la page d'accessoires pour une liste des cartes à option supportées.
7 clignotements	Le dispositif de Protection contre le piégeage avec surveillance LiftMaster (LMEP) est défectueux ou a été enlevé durant plus de 2 minutes.	Fonctionnement normal (surpassément par pression constante de 5 secondes requis pour fermer).	Déprogrammé lorsque le dispositif de protection contre le piégeage est désactivé ou connecté.
8 clignotements	Baisse de tension détectée - sous-tension.	L'ouvre-porte ne fonctionne plus tant qu'une alimentation suffisante n'est pas disponible.	1. Vérifier la tension de la ligne CA. 2. Vérifier le secondaire du transformateur pour détecter une tension faible. Trop d'accessoires peuvent être connectés au transformateur.
9 clignotements	Panne du tableau d'alimentation.	Aucun mouvement de l'actionneur.	Remplacer le tableau d'alimentation.
10 clignotements	L'actionneur n'était pas en mode de programmation lorsque le fil de liaison de phase du moteur a été remplacé.	La phase ne change pas.	Entrer en mode programmation et déplacer le cavalier de phase pour changer la phase.
11 clignotements	Une tension trop élevée a été fournie à l'actionneur – surtension.	L'actionneur fonctionnera aussi longtemps qu'une défaillance d'un composant ne survient pas.	1. Vérifier la tension de la ligne c.a. 2. La tension doit se trouver dans une limite de +/- 10 % de la tension prévue.
12 clignotements (triphasé UNIQUEMENT)	Anomalie de détection de courant.	Le moteur se déplace pour un nombre limité de cycles, puis il cesse de se déplacer.	1. Vérifier la connexion du câblage de détection de courant. 2. Effectuer un cycle de mise sous tension de l'actionneur lorsque la connexion du câblage a été corrigée. OU 1. Remplacer la carte d'alimentation triphasée.

REMARQUE : Les codes d'erreur ont priorité sur le fonctionnement normal de la DEL MAS. Les codes d'erreur se répètent sur le MAS chaque 1,5 seconde jusqu'à ce qu'ils soient annulés. Il peut y avoir plus d'une erreur présente, mais seulement celle avec la priorité la plus élevée clignote. Si l'erreur la plus élevée est annulée, la prochaine plus élevée clignote. Toutes les erreurs se corrigent automatiquement lorsqu'une mesure corrective est prise. Une réinitialisation n'est pas nécessaire.

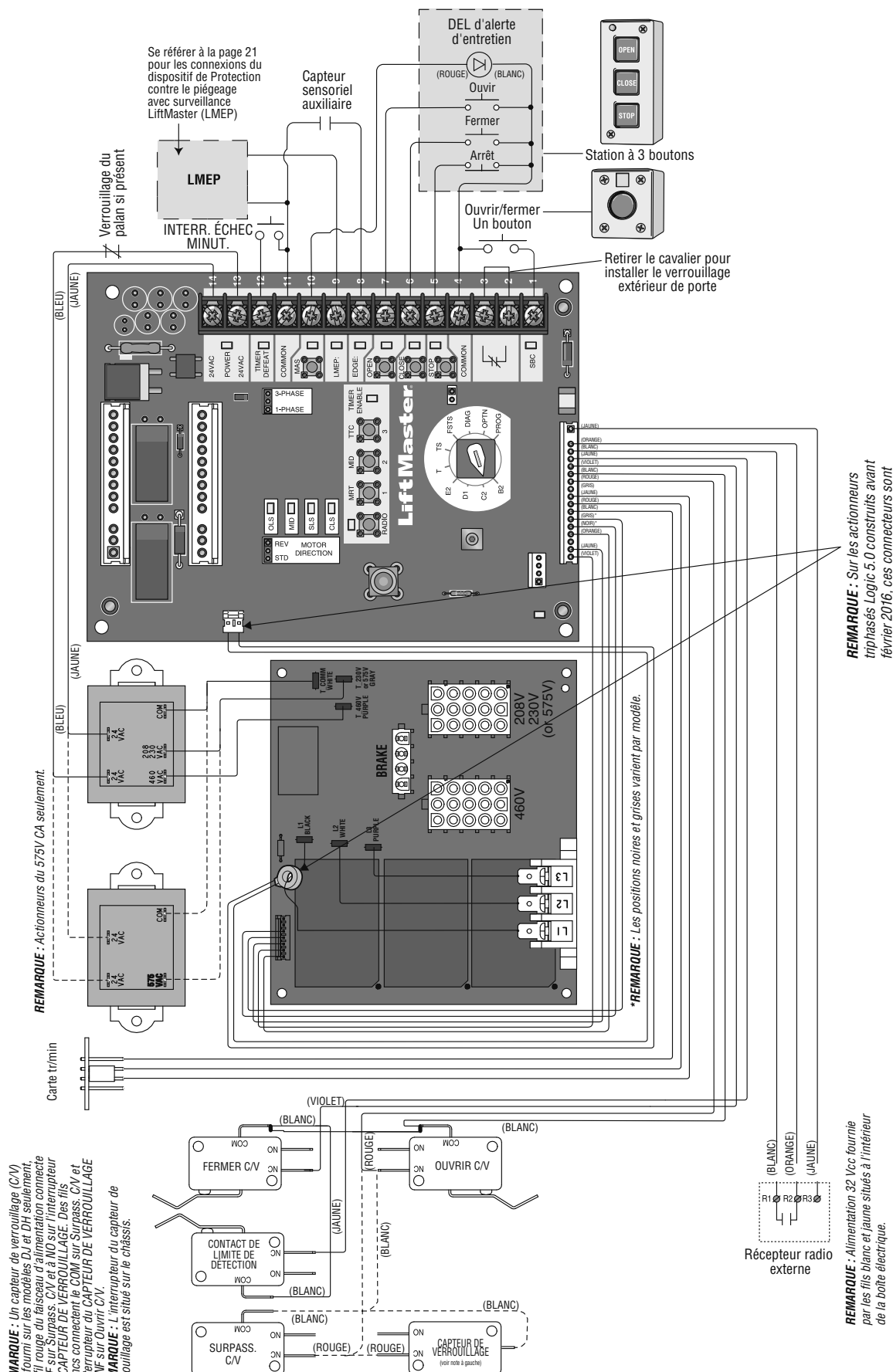
FONCTIONNALITÉ DE DÉPANNAGE PAR RADIO

Les codes d'erreur s'affichent sur la DEL radio.

REMARQUE : Le récepteur radio est compatible avec les télécommandes et les dispositifs sans clés du SECURITY+ 2.0®.

CODE D'ERREUR	AFFICHAGE	SYMPTÔME	PROBLÈME POSSIBLE	CORRECTION
R1	Clignotement rapide	Aucune réponse de la télécommande	Télécommande désapprise - Un utilisateur essaie d'utiliser une télécommande, mais la DEL RADIO clignote seulement brièvement et il n'y a pas de réponse de l'ouvre-porte.	Essayer de réapprendre la télécommande.
R2	Aucune activité DEL	Aucune réponse de la télécommande	Ne peut pas reconnaître la télécommande - Un signal faible causé par une pile déchargée ou une interférence externe avec la ou les télécommandes - OU - les télécommandes en cours d'apprentissage ne sont pas compatibles avec l'ouvre-porte. L'antenne n'est pas installée ou elle est endommagée.	Remplacer la batterie, éliminer l'interférence, obtenir une télécommande homologuée ou vérifier les connexions de l'antenne.
R3	La DEL de la radio reste allumée pendant 30 secondes, clignote 3 fois, puis reste allumée en continu pendant 2,5 minutes supplémentaires.	La télécommande ne peut pas être apprise	Ne peut pas reconnaître la télécommande - Un signal faible causé par une pile déchargée ou une interférence externe interférant avec le processus d'apprentissage - OU - les télécommandes en cours d'apprentissage ne sont pas compatibles avec l'ouvre-porte. L'antenne n'est pas installée ou elle est endommagée.	Remplacer la batterie, éliminer l'interférence, obtenir une télécommande homologuée ou vérifier les connexions de l'antenne.
R5	3 clignotements	La télécommande ne peut pas être apprise	Télécommande dupliquée - Un utilisateur entre en mode d'apprentissage de fonction RADIO et sélectionne la fonction qui doit être apprise. Lorsque le bouton de la télécommande est pressé pour apprendre, une recherche révèle que la télécommande est déjà apprise.	Cette télécommande a déjà une fonction qui y est associée. Pour modifier la fonction, effacer toutes les télécommandes apprises et réapprendre la télécommande désirée.
R6	Clignotement rapide	La porte s'ouvrira, mais ne pourra pas être fermée avec la télécommande.	Impossible de fermer par une pression constante en modes C2, D1 ou E2. Aucun dispositif de protection présent - Un dispositif de détection est nécessaire pour la fermeture par pression constante.	Non nécessaire ou modifier le mode de câblage.

LOGIC (VER. 5.0) SCHÉMA DE CÂBLAGE 3 PHASES - AVEC TECHNOLOGIE DE DÉTECTION DE COURANT



ACCESSOIRES

DISPOSITIF DE PROTECTION CONTRE LE PIÉGEAGE

SURVEILLÉ

CPS-U



Cellules photoélectriques infrarouges à deux côtés

- Boîtier NEMA 1 tout usage
- Cellules photoélectriques infrarouges à deux côtés
- Pour utilisation intérieure
- Portée maximale de 9,1 m (30 pi)

CPS-UN4



Cellules photoélectriques surveillées de type barrage

- Boîtier ultra robuste pour applications industrielles
- Boîtier NEMA 4 pour une protection contre la pulvérisation d'eau directe
- Capteurs infrarouges à deux côtés.
- Pour l'intérieur et l'extérieur
- Portée maximale de 13,7 m (45 pi).

CPS-RPEN4



Cellules photoélectriques rétro-réfléchissantes surveillées

- Faisceau polarisé convenant aux surfaces très réfléchissantes
- Le boîtier NEMA 4X assure une protection contre la pulvérisation d'eau directe et la corrosion
- Capteur rétro-réfléchissant
- Pour l'intérieur et l'extérieur.
- Portée maximale de 15 m (50 pi).

CPS-OPEN4



Cellules photoélectriques infrarouges à deux côtés

- Boîtiers flexibles maintenant l'alignement dans les zones où le capteur risque fortement d'être heurté
- Le boîtier NEMA 4X assure une protection contre la pulvérisation d'eau directe et la corrosion.
- Capteurs infrarouges à deux côtés.
- Pour l'intérieur et l'extérieur.
- Portée maximale de 13,7 m (45 pi).

Système de chant de porte optique (OES)

OES-SD16



Système de chant de porte optique

Ensemble de chant de porte de 4,9 m (16 pi) à 2 fils pour porte articulée, avec capteurs optiques infrarouges, bordure de chant de porte en caoutchouc et quincaillerie de montage (rail vendu séparément).

OES-SD24



Système de bordure à capteurs optiques

Ensemble de bordure de 7,3 m (24 pi) à 2 fils pour porte articulée, avec capteurs optiques infrarouges, bordure de chant de porte en caoutchouc et quincaillerie de montage (sauf rail de porte).

OES-RD16



Système de chant optique

Ensemble de chant de porte de 4,9 m (16 pi) à 2 fils pour porte déroulante, avec capteurs optiques infrarouges, bordure de chant de porte en caoutchouc et quincaillerie de montage (rail de porte non requis).

- La bordure de chant de porte en caoutchouc est durable, souple et facile à installer.
- Le caoutchouc de première qualité peut être coupé à la longueur précise pour un ajustement parfait.
- Le boîtier NEMA 6 protège contre l'humidité et l'eau stagnante.
- Les capteurs optiques infrarouges éliminent les contacts électriques.
- Portée maximale de 10 m (33 pi).
- Les bordures pour portes articulées ou déroulantes sont aussi offertes en rouleaux de 15 m (50 pi), avec des composants individuels pour réaliser d'autres économies lors de grands travaux d'installation.

SURVEILLÉ

CPS3CARD



Carte d'interface de sécurité

La carte d'interface enfichable permet d'utiliser un deuxième jeu de cellules photoélectriques ou de chant surveillés avec un actionneur de porte commerciale.

CPS-MEI

Interface de chant de porte à 2 fils surveillé

Pour utilisation avec les bordures de chant de porte à deux fils approuvées

CPS-EI

Interface de chant de porte à 4 fils surveillé

Pour utilisation avec les bordures de chant de porte à deux fils approuvées

NON-SURVEILLÉ

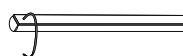
65-8202



Système de détection de véhicule :

Ensemble de capteur de chant pneumatique avec interrupteur d'air extérieur, cordon enroulé à 2 fils et tuyau d'air de 4,3 m (14 pi).

65-5202



Système de détection de véhicule :

Ensemble de capteur de chant pneumatique avec interrupteur d'air extérieur, bobine réceptrice à 2 fils (6 m [20 pi] étendu) et tuyau d'air de 4,3 m (14 pi).

ACCESSOIRES

ACCESSOIRES DE myQ

828LM



Passerelle Internet LiftMaster® :

Permet aux propriétaires d'actionneurs d'ouvre-portes de garage d'application commerciale d'ouvrir et de fermer leurs portes de garage ainsi que d'allumer ou d'éteindre les lumières dans et autour de leurs installations au moyen d'un téléphone intelligent ou d'un ordinateur, et ce, de n'importe où dans le monde.

829LM



Moniteur de porte de garage et de barrière

Surveille l'état de marche-arrêt de quatre ouvre-portes de garage ou actionneurs de barrière compatibles avec myQ et permet de les fermer à partir de n'importe quelle pièce dans la maison.

825LM



Télécommande d'éclairage

Permet de commander automatiquement votre éclairage à l'aide de l'ouvre-porte de garage, d'une télécommande Security+ 2.0® ou d'une passerelle Internet LiftMaster®. Se branche dans n'importe quelle prise de courant intérieure.

TÉLÉCOMMANDES AVEC SECURITY+ 2.0® ET CONNECTIVITÉ

811LM



Télécommande à un seul bouton avec commutateur DIP encodé :

Idéal pour des portes de garage d'application commerciale pour lesquelles un grand nombre de télécommandes à l'intérieur d'un espace partagé est requis.

813LM



Télécommande à trois boutons avec commutateur DIP encodé :

Inclut des indicateurs rouges, jaunes et verts pour les fonctions d'ouverture, de fermeture et d'arrêt.

877LM



Clavier sans fil :

Peut être programmé avec des codes d'accès temporaires pour les visiteurs ou les employés chargés de la livraison.

RADIO

STAR1000



Récepteur de commande d'accès d'application commerciale :

Programme jusqu'à 1 000 télécommandes LiftMaster®. Prend en charge les télécommandes qui permettent ou non la mise en veille afin d'interdire ou de rétablir l'accès.

850LM



Récepteur Universel :

Avec technologie Security+ 2.0®. Conçu pour les ensembles résidentiels protégés et les immeubles commerciaux pour prendre en charge et gérer de multiples points d'accès et de multiples télécommandes.

STATIONS DE COMMANDE

02-101



Station de commande à 1 bouton :

Boîtier en acier.

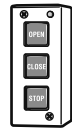
02-102



Station de commande à 2 boutons :

Boîtier en acier.

02-103L



Station de commande à 3 boutons :

Boîtier en acier avec Système d'alerte d'entretien.

02-110



Station de commande à clé :

Montage encastré intérieur NEMA 1 avec bouton STOP (arrêt).

02-401



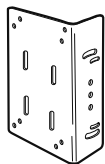
Poste à un bouton à monter sur une surface intérieure (NEMA-1)

Présente un seul bouton pour activer l'ouverture d'une ou de plusieurs portes commerciales.

ACCESSOIRES

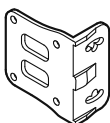
SUPPORTS DE MONTAGE

10-12360



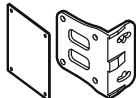
Support d'acier de forte épaisseur pour montage vertical ou horizontal sur le devant ou le haut du rouleau d'une porte roulante. Comporte une variété d'arrangements de trous de montage compatibles avec plusieurs fabricants d'équipement. Pour utilisation avec les ouvre-portes J, H, DJ et DH. Peut être soudé.

08-9098



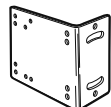
Support en fonte pour monter les ouvre-portes à montage latéral J, H, DH, DJ et GH sur un support de bout d'une porte ou grille roulante. Pour montage vertical ou horizontal à l'avant ou en haut du rouleau. Ne peut pas être soudé.

08-9098EZ



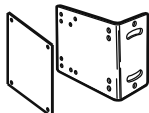
Comme 08-9098, mais avec une plaque adaptatrice pour tenir les boulons de montage en place pour montage plus facile.

1A4324



Support d'acier de forte épaisseur pour montage vertical ou horizontal sur le devant ou le haut du rouleau d'une porte roulante. Peut être soudé. Pour utilisation avec les ouvre-portes J, H, DJ et DH.

1A4324EZ



Même que 1A4324, mais avec une plaque adaptatrice pour tenir les boulons de montage en place pour montage plus facile.

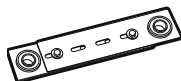
TENDEURS DE CHÂÎNE ——— Pour ouvre-porte de type arbre secondaire

71-6023

Pour arbres de 2,5 cm (1 po). Recommandé pour une tension appropriée de la chaîne d'entraînement entre l'arbre de l'ouvre-porte et l'arbre de la porte.

71-6125

Même que 71-6023, mais pour arbres de 3,2 cm (1-1/4 po).



CARTES À OPTION

TLS1CARD

Carte de statut d'éclairage et de minuterie :

La carte à option TLS fournit des fonctions spéciales pour activer et faire clignoter des dispositifs auxiliaires comme des lumières, des sonneries et des klaxons/stroboscopes à diverses positions de porte et pour fournir des fonctions spéciales de minuterie.

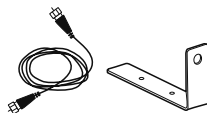
AUXCARD

Carte de contact auxiliaire :

La carte à option Contact auxiliaire a des contacts normalement ouverts et normalement fermés qui sont actionnés lorsque la porte est à l'arrêt, qu'elle s'ouvre ou qu'elle se ferme.

ADDITIONAL CONTROL ACCESSORIES

86LM (4,6 M [15 pi])
86LMT (7,6 M [25 pi])



Ensemble d'extension d'antenne :

L'ensemble d'extension d'antenne peut être utilisé avec une antenne extérieure pour une portée de réception radio maximale.

RGL24LY



Voyant de circulation rouge/vert :

Indique lors qu'une porte commerciale atteint la position d'ouverture complète. Garantit une entrée et une sortie sécuritaires de l'installation, réduisant le risque d'accidents coûteux. (La TLS1CARD est recommandée)

50-HERK2



Détecteur de mouvement de 24 V

Détecteur de mouvement à micro-ondes avec deux canaux programmables de manière indépendante.

50450



Verrouillage de l'interrupteur de porte articulée

L'interrupteur NEMA 4 désactive le circuit de commande de l'actionneur lorsque la porte est verrouillée, empêchant ainsi le fonctionnement électrique de la porte.

SCHÉMA DE CONNEXIONS DE COMMANDE

REMARQUES IMPORTANTES :

1. La station de commande à 3 boutons fournie doit être connectée pour le fonctionnement.
2. Si un bouton STOP (arrêt) n'est pas utilisé, un cavalier doit être placé entre les bornes 4 et 5.
3. Lors d'ajout d'accessoires, les installer un à la fois et tester chacun après son addition pour s'assurer d'une installation et d'un fonctionnement correct de l'ouvre-porte commercial.

