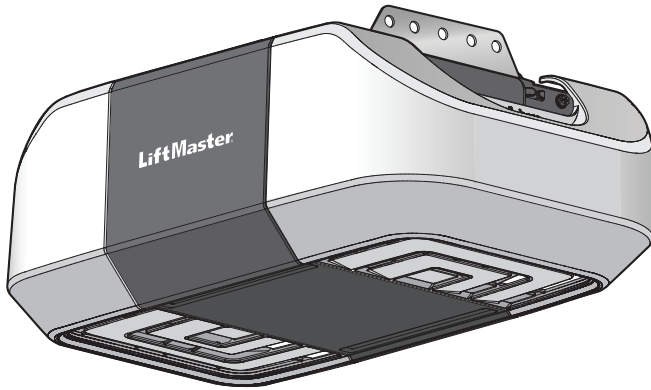


LiftMaster®

Light-Duty Commercial/ Residential Trolley Operator Model ATSW



- Please read this manual and the safety materials carefully!
- Fasten the manual near the door after installation.
- The door **WILL NOT CLOSE** unless the Protector System® is connected and properly aligned.
- Periodic checks of the operator are required to ensure safe operation.
- The model number label is located on the left panel of your operator.
- This door operator is **ONLY** compatible with myQ® and Security+ 2.0® accessories.
- **DO NOT** exceed 8 complete cycles of door operation per hour.

Register your door operator to receive updates
and offers from LiftMaster



- 1 Take a photo of the camera icon including the points (⊙).
- 2 Send it in by texting the photo to 71403 (US) or visit www.liftmaster.photo (Global)

1 YEAR WARRANTY

For additional information and resources, visit:
<https://dealer.liftmaster.com/login>



LiftMaster
300 Windsor Drive
Oak Brook, IL 60523

Contents

Preparation	3
Assembly	7
Installation	9
Install the Door Control	17
Install the Protector System®	19
Power	23
Adjustments	25
Operation	28
Maintenance	33
Troubleshooting	34
Accessories	36
Repair Parts	37

Preparation

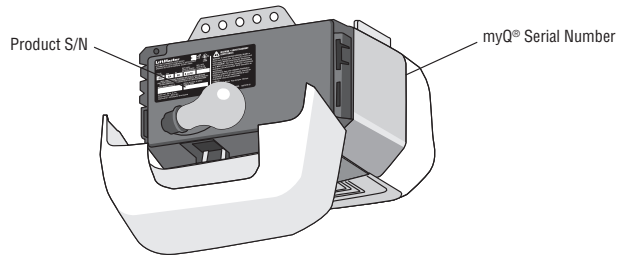
myQ® Serial Number

Write down the following information for future reference:

myQ® Serial Number:

Product S/N:

Date of Purchase:



Safety Symbol and Signal Word Review

This door operator has been designed and tested to offer safe service provided it is installed, operated, maintained and tested in strict accordance with the instructions and warnings contained in this manual.

When you see these Safety Symbols and Signal Words on the following pages, they will alert you to the possibility of **serious injury or death** if you do not comply with the warnings that accompany them. The hazard may come from something mechanical or from electric shock. Read the warnings carefully.

 **WARNING**

Mechanical

 **WARNING**

Electrical

When you see this Signal Word on the following pages, it will alert you to the possibility of damage to your door and/or the door operator if you do not comply with the cautionary statements that accompany it. Read them carefully.

 **CAUTION**



WARNING: This product can expose you to chemicals including lead, which are known to the State of California to cause cancer or birth defects or other reproductive harm. For more information go to www.P65Warnings.ca.gov

Unattended Operation

The Timer-to-Close (TTC) feature, the myQ Smartphone Control app, and myQ Garage Door and Gate Monitor are examples of unattended close and are to be used **ONLY** with sectional doors. Any device or feature that allows the door to close without being in the line of sight of the door is considered unattended close. The Timer-to-Close (TTC) feature, the myQ Smartphone Control, and any other myQ devices are to be used **ONLY** with sectional doors.

Preparation

Before You Connect with Your Smartphone

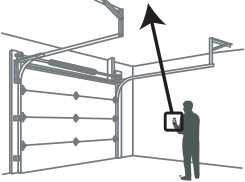
Monitor and control your door from anywhere using the myQ app.

You will need:

- Wi-Fi enabled smartphone, tablet or laptop
- Broadband Internet Connection
- Wi-Fi signal in the building (**2.4 Ghz, 802.11b/g/n required**)
- Password for your building's network (router's main account, not guest network)

Test the Wi-Fi Signal Strength

Make sure your mobile device is connected to your Wi-Fi network. Hold your mobile device in the place where your door operator will be installed and check the Wi-Fi signal strength.



Check Signal Strength. If you see:



Wi-Fi signal is strong.
The door operator will connect to your Wi-Fi network.



Wi-Fi signal is weak.
The door operator may connect to your Wi-Fi network. If not, try one of the options below to improve the Wi-Fi signal:



No Wi-Fi signal.
The door operator will not be able to connect to your Wi-Fi network. Try one of the options below to improve the Wi-Fi signal:

- Move your router closer to the door operator to minimize interference from walls and other objects
- Buy a Wi-Fi range extender

For compatible router specifications and help, visit support.chamberlaingroup.com. See page 30 to connect the door operator to a mobile device.

Check the Door

WARNING

To prevent possible **SERIOUS INJURY** or **DEATH**:

- ALWAYS call a trained door systems technician if door binds, sticks, or is out of balance. An unbalanced door may **NOT** reverse when required.
- NEVER try to loosen, move or adjust door, door springs, cables, pulleys, brackets or their hardware, ALL of which are under **EXTREME** tension.
- Disable ALL locks and remove ALL ropes connected to door **BEFORE** installation and operating door operator to avoid entanglement.
- DO NOT install on a one-piece door if using devices or features providing unattended close. Unattended devices and features are to be used **ONLY** with sectional doors.

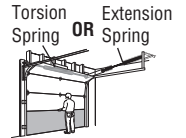
CAUTION

To prevent damage to door and operator:

- ALWAYS disable locks **BEFORE** installing and operating the operator.
- **ONLY** operate door operator at 120V, 60 Hz to avoid malfunction and damage.

Before you begin:

1. Disable locks and remove any ropes connected to the door.
2. Lift the door halfway up. Release the door. If balanced, it should stay in place, supported entirely by its springs.
3. Raise and lower the door to check for binding or sticking. If your door binds, sticks, or is out of balance, call a trained door systems technician.
4. Check the seal on the bottom of the door. Any gap between the floor and the bottom of the door must not exceed 1/4 inch (6 mm). Otherwise, the safety reversal system may not work properly.
5. The operator should be installed above the center of the door. If there is a torsion spring or center bearing plate in the way of the header bracket, it may be installed within 4 feet (1.2 m) to the left or right of the door center. See page 10.

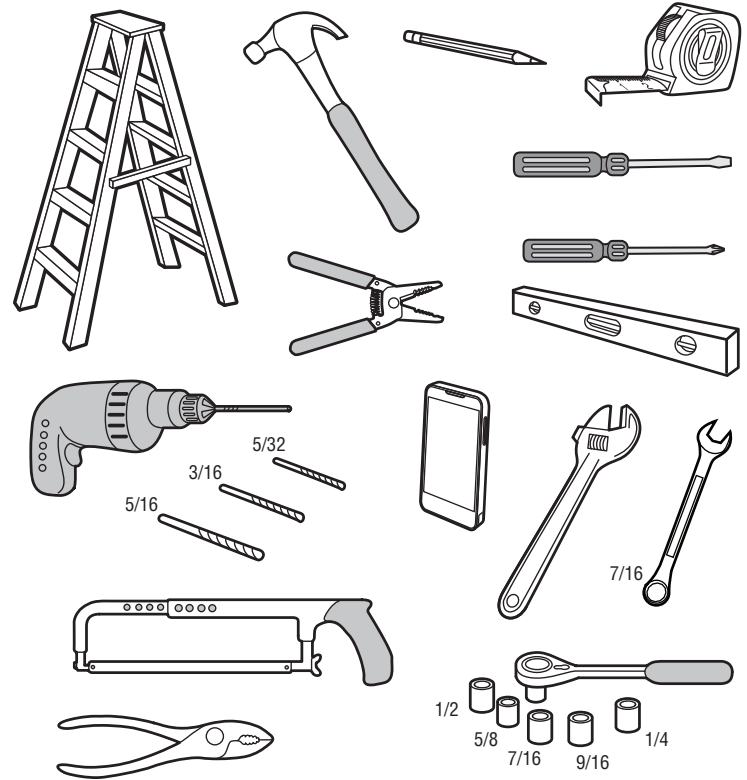


Preparation

Specifications

Volts	120VAC, 60 Hz
Current	6A
Rated load	600in lbs/sec.
Maximum door height	14 ft. (4.27m)
Maximum door size	16 ft. Wide x 14 ft. High (4.87m x 4.27m) (not to exceed 224 sq. ft.)

Tools Needed



Preparation

Carton Inventory

Accessories will vary depending on the door operator model purchased. Depending on your specific model, other accessories may be included with your door operator. The instructions for these accessories will be attached to the accessory and are not included in this manual. **The images throughout this manual are for reference and your product may look different.**

- A. Header bracket
- B. Pulley and bracket
- C. Door bracket
- D. Curved door arm
- E. Straight door arm
- F. Trolley (provided separately from the carton)
- G. Emergency release rope and handle
- H. Rail (provided separately from the carton)
- I. Door operator
- J. Chain spreader
- K. Chassis support bracket
- L. Chain (provided separately from the carton)
- M. Door control
- N. White and red/white wire
- O. The Protector System®
Safety reversing sensors with 2-conductor white and white/black bell wire attached: sending sensor (1), receiving sensor (1), safety sensor brackets (4), and "C" wraps (2)
- P. Safety labels and literature
- Q. Rail grease

Security+ 2.0® Accessories

883LMW

Push Button Door Control



Chassis Support Bracket Hardware

- Screw #8-32 x 3/8" (2)
- Hex Bolts 1/4"-20 x 5/8" (2)
- Lock Washers (2)
- Washed Bolt 5/16"-18 x 1/2" (2)

Installation

- Hex Bolt 5/16"-18 x 7/8" (4)
- Lag Screw 5/16"-9 x 1-5/8" (2)
- Lag Screw 5/16"-18 x 1-5/8" (2)
- Clevis Pin 5/16" x 2-3/4" (1)
- Clevis Pin 5/16" x 1-1/4" (1)
- Clevis Pin 5/16" x 1" (1)
- Nut 5/16"-18 (4)
- Lock Washer 5/16"-16 (4)

Door Control Hardware

- Screw 6AB x 1" (2)
- Screw 6-32 x 1" (2)

Chain Spreader Hardware

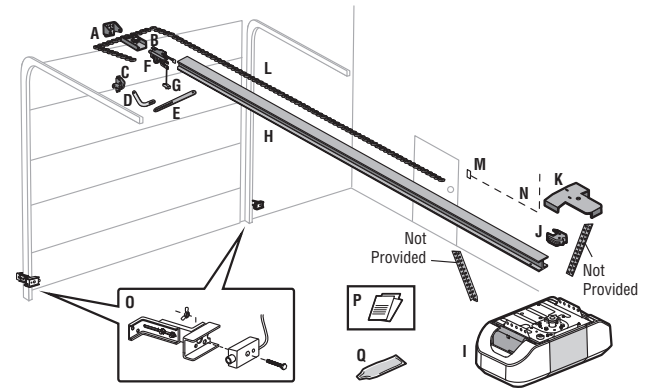
- Screw #8-32 x 3/8" (2)

Rail Hardware

Washed Bolts and Lock Washer (mounted in the top of the door operator)

- Self-Threading Screw 1/4"-14 x 5/8" (2)
- Ring Fastener (3)
- Carriage Bolt 1/4"-20 x 1/2" (2)
- Wing Nut 1/4"-20 (2)
- Hex Bolt 1/4"-20 x 5/8" (2)
- Lock Nut 1/4"-20 (2)
- Lag Screw 1/4" x 1-1/2" (4)

Drywall Anchors (2)



Assembly

1 Attach the Rail to the Operator

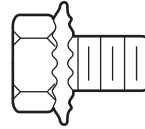
CAUTION

To avoid SERIOUS damage to door operator, use ONLY those bolts/fasteners mounted in the top of the operator.

NOTE: ONLY use the bolts removed from the door operator. Place the door operator on the packing material to prevent scratching.

1. Remove bolt and lock nut from the top of the operator.
2. Align the rail and the styrofoam over the sprocket. Cut the tape from the rail, chain, and styrofoam.
3. Fasten the rail with the previously removed washed bolt and lock nut.
4. Position the chain around the operator sprocket.
5. Attach the chain spreader to the operator with screws.
6. Guide the chain around the chain spreader, to engage the sprocket.

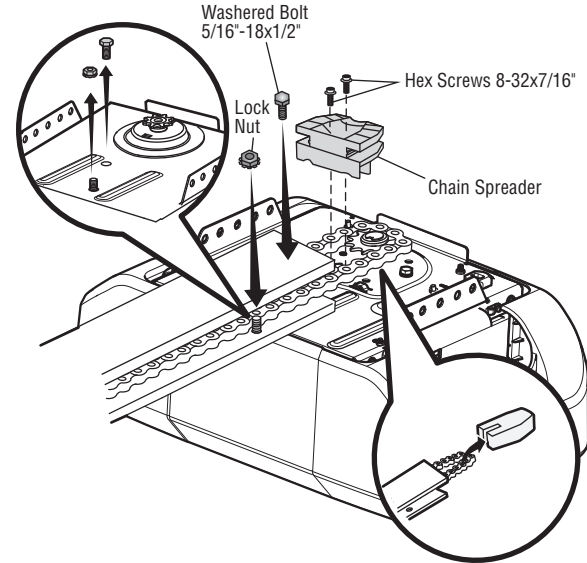
HARDWARE



Washed Bolt
5/16"-18x1/2"
(Mounted in the garage
door opener)



Lock Nut
(Mounted in the
garage door opener)



Assembly

2 Attach the Chassis Support Bracket

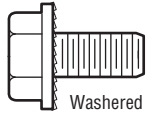
WARNING

To avoid possible **SERIOUS INJURY** to finger from moving door operator:

- ALWAYS keep hand clear of sprocket while operating operator.
- Securely attach sprocket cover **BEFORE** operating.

1. Position the chassis support bracket on the unit.
2. Attach the bracket to the rail with 1/4"-20 x 5/8" hex bolts and lock washers. **Do not overtighten.**
3. Attach the bracket to the operator by inserting a 5/16"-18 x 1/2" washered screw through a hole in each side flange and a matching hole in the bracket. Complete the connection by inserting the #8-32 x 3/8" screw through the back flange and the hole in rail support.

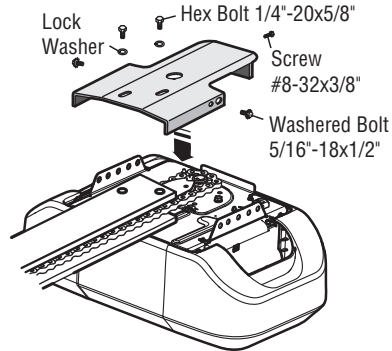
HARDWARE



Washed Bolt
5/16"-18x1/2"



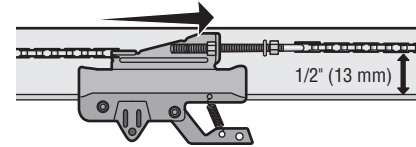
Screw
#8-32x3/8"



3 Tighten the Chain

1. Loosen the inner nut and lock washer on the trolley threaded shaft.
2. Tighten the outer nut until the chain is a 1/2 inch above the base of the rail at the midpoint of the rail.
3. Re-tighten the inner nut.

Slack in the chain is normal when the door is closed. No readjustment is necessary. Sprocket noise can result if the chain is too loose. During future maintenance, ALWAYS pull the emergency release handle to disconnect the trolley before adjusting the chain.



IMPORTANT INSTALLATION INSTRUCTIONS



To reduce the risk of SEVERE INJURY or DEATH:

1. READ AND FOLLOW ALL INSTALLATION WARNINGS AND INSTRUCTIONS.
2. Install door operator ONLY on properly balanced and lubricated door. An improperly balanced door may NOT reverse when required and could result in SEVERE INJURY or DEATH.
3. ALL repairs to cables, spring assemblies and other hardware MUST be made by a trained door systems technician BEFORE installing operator.
4. Disable ALL locks and remove ALL ropes connected to door BEFORE installing operator to avoid entanglement.
5. Where possible, install the door operator 7 feet (2.13 m) or more above the floor.
6. Mount the emergency release within reach, but at least 6 feet (1.83 m) above the floor and avoiding contact with vehicles to avoid accidental release.
7. NEVER connect door operator to power source until instructed to do so.
8. NEVER wear watches, rings or loose clothing while installing or servicing operator. They could be caught in door or operator mechanisms.
9. Install wall-mounted door control:
 - within sight of the door.
 - out of reach of small children at a minimum height of 5 feet (1.5 m) above floors, landings, steps or any other adjacent walking surface.
 - away from ALL moving parts of the door.
10. Place entrapment warning label on wall next to door control.
11. Place emergency release/safety reverse test label in plain view on inside of door.
12. Upon completion of installation, test safety reversal system. Door MUST reverse on contact with a 1-1/2" (3.8 cm) high object (or a 2x4 laid flat) on the floor.
13. To avoid SERIOUS PERSONAL INJURY or DEATH from electrocution, disconnect ALL electric power BEFORE performing ANY service or maintenance.
14. DO NOT install on a one-piece door if using devices or features providing unattended close. Unattended devices and features are to be used ONLY with sectional doors.

Installation

1 Determine the Header Bracket Location

WARNING

To prevent possible **SERIOUS INJURY** or **DEATH**:

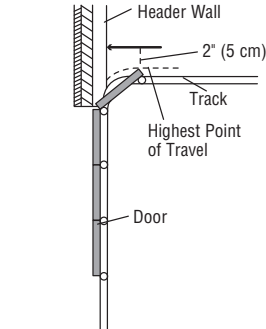
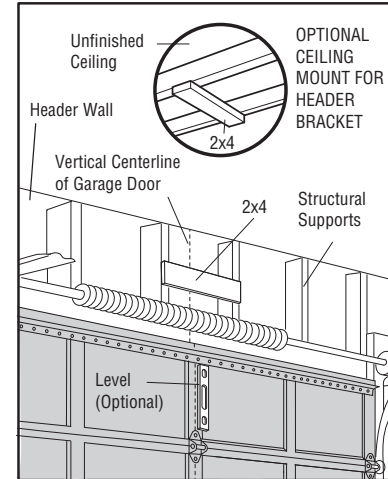
- Header bracket **MUST** be **RIGIDLY** fastened to structural support on header wall or ceiling, otherwise door might **NOT** reverse when required. **DO NOT** install header bracket over drywall.
- Concrete anchors **MUST** be used if mounting header bracket or 2x4 into masonry.
- **NEVER** try to loosen, move or adjust door, springs, cables, pulleys, brackets, or their hardware, **ALL** of which are under **EXTREME** tension.
- **ALWAYS** call a trained door systems technician if door binds, sticks, or is out of balance. An unbalanced door might **NOT** reverse when required.
- **DO NOT** enable the Timer-to-Close functionality if operating either one-piece or swinging doors. To be enabled **ONLY** when operating a sectional door.

Close the door and mark the inside vertical centerline of the door.

Extend the line onto the header wall above the door. You can fasten the header bracket within 4 feet (1.22 m) of the left or right of the door center only if a torsion spring or center bearing plate is in the way; or you can attach it to the ceiling when clearance is minimal. (It may be mounted on the wall upside down if necessary, to gain approximately 1/2" (1 cm).) If you need to install the header bracket on a 2x4 (on wall or ceiling), use lag screws (not provided) to securely fasten the 2x4 to structural supports.

Open your door to the highest point of travel as shown. Draw an intersecting horizontal line on the header wall 2" (5 cm) above the high point.

NOTE: If the total number of inches exceeds the height available in your building, use the maximum height possible, or refer to page 11 for ceiling installation.



Sectional door with curved track

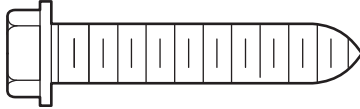
Installation

2 Install the Header Bracket

You can attach the header bracket either to the wall above the door, or to the ceiling. Follow the instructions which will work best for your particular requirements. **Do not install the header bracket over drywall. If installing into masonry, use concrete anchors (not provided).**

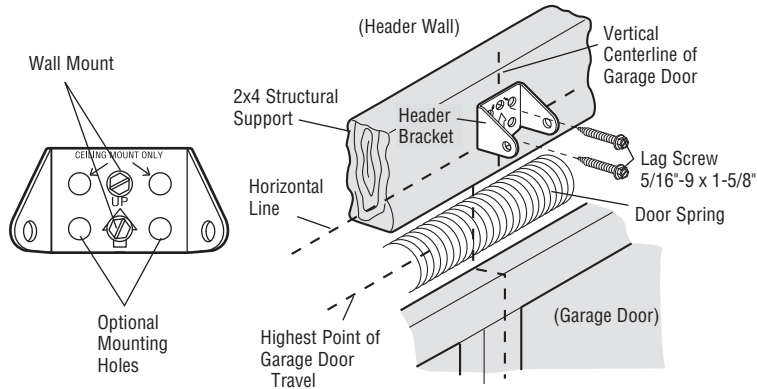
HARDWARE

Lag Screw 5/16"-9x1-5/8"



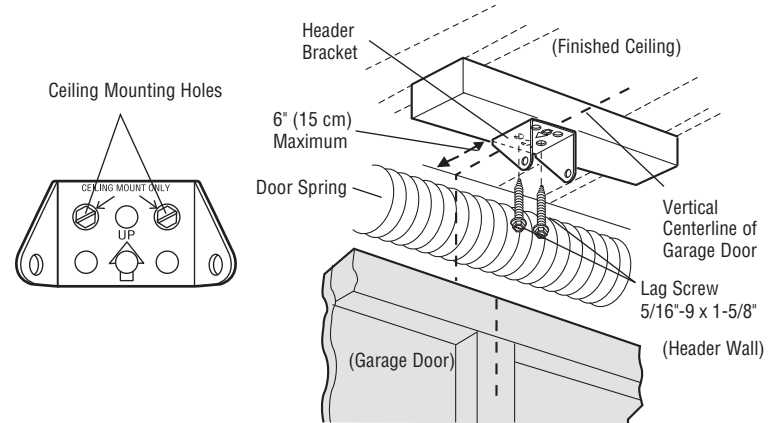
OPTION A - WALL INSTALLATION

1. Center the bracket on the vertical centerline with the bottom edge of the bracket on the horizontal line as shown (with the arrow pointing toward the ceiling).
2. Mark the vertical set of bracket holes (do not use the holes designated for ceiling mount). Drill 3/16" pilot holes and fasten the bracket securely to a structural support with lag screws.



OPTION B - CEILING INSTALLATION

1. Extend the vertical centerline onto the ceiling as shown.
2. Center the bracket on the vertical mark, no more than 6" (15 cm) from the wall. Make sure the arrow is pointing toward the wall. The bracket can be mounted flush against the ceiling when clearance is minimal.
3. Mark the side holes. Drill 3/16" pilot holes and fasten bracket securely to a structural support with the hardware provided.



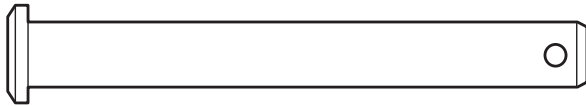
Installation

3 Attach the Rail to the Header Bracket

1. Align the rail with the header bracket. Insert the clevis pin through the holes in the header bracket and rail. Secure with the ring fastener.

NOTE: Use the packing material as a protective base for the door operator.

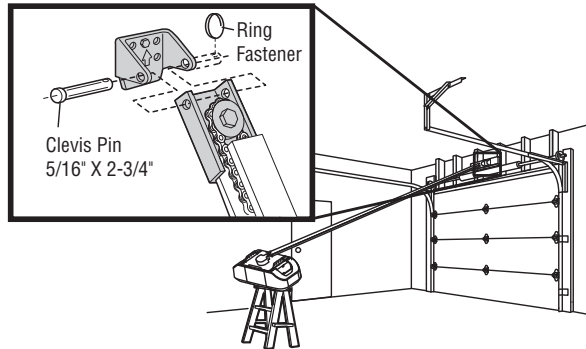
HARDWARE



Clevis Pin 5/16" x 2-3/4"



Ring Fastener



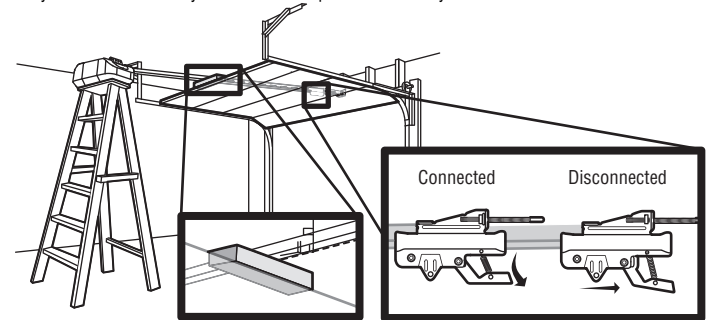
4 Position the operator

CAUTION

To prevent damage to door, rest door operator rail on 2x4 placed on top section of door.

1. Lift the door operator onto a ladder.
2. Fully open the door and place a 2x4 (laid flat) under the rail.

A 2x4 is ideal for setting the distance between the rail and the door. If the ladder is not tall enough you will need help at this point. If the door hits the trolley when it is raised, pull the trolley release arm down to disconnect the inner and outer trolley. Slide the outer trolley toward the door operator. The trolley can remain disconnected until instructed.



Installation

5 Hang the operator

WARNING

To avoid possible **SERIOUS INJURY** from a falling door operator, fasten it **SECURELY** to structural supports of the building. Concrete anchors **MUST** be used if installing **ANY** brackets into masonry.

Hanging your door operator will vary depending on your building. Two representative installations are shown. Yours may be different. Hanging brackets should be angled (Figure 1) to provide rigid support. On finished ceilings (Figure 2), attach a sturdy metal bracket to structural supports before installing the operator. This bracket and fastening hardware are not provided.

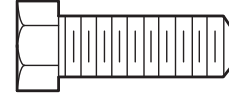
1. Measure the distance from each side of the motor unit to the structural support.
2. Cut both pieces of the hanging bracket to required lengths.
3. Drill 3/16" pilot holes in the structural supports.
4. Attach one end of each bracket to a support with 5/16"-18 x 1-7/8" lag screws (not provided).
5. Fasten the operator to the hanging brackets with 5/16"-18 x 7/8" hex bolts, lock washers and nuts.
6. Check to make sure the rail is centered over the door (or in line with the header bracket if the bracket is not centered above the door).
7. Remove the 2x4. Operate the door manually. If the door hits the rail, raise the header bracket.

NOTE: *DO NOT* connect power to operator at this time.

HARDWARE



Lock Washer 5/16"



Hex Bolt 5/16"- 18x7/8"



Nut 5/16"-18

FIGURE 1

Unfinished Ceiling

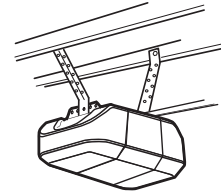


FIGURE 2

Finished Ceiling

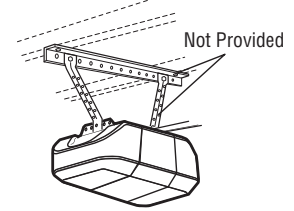
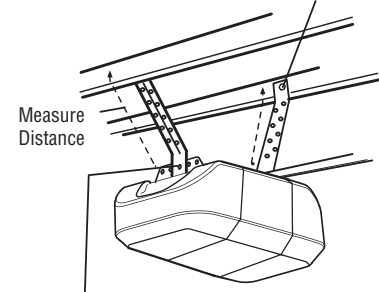


FIGURE 3

(Not Provided)
Lag Screws
5/16"- 18x1-7/8"



Hex Bolt 5/16"- 18x7/8", Lock Washer 5/16", Nut 5/16"-18

Installation

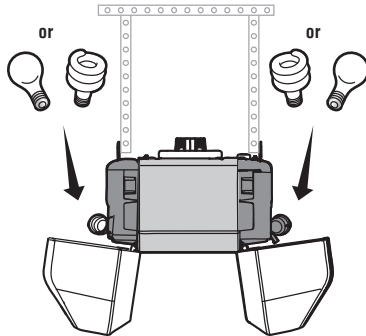
6 Install the Light Bulbs

⚠ CAUTION

To prevent possible OVERHEATING of the end panel or light socket:

- Use ONLY A19 incandescent (100W maximum) or compact fluorescent (26W maximum) light bulbs.
- DO NOT use incandescent bulbs larger than 100W.
- DO NOT use compact fluorescent light bulbs larger than 26W (100W equivalent).
- DO NOT use halogen bulbs.
- DO NOT use short neck or specialty light bulbs.

1. Pull on the top center of the light lens and rotate the light lens down.
2. Insert an A19 incandescent (100W maximum) or compact fluorescent (26W, 100W equivalent) light bulb into the light socket.
NOTE: DO NOT use halogen, short neck, or specialty light bulbs as these may overheat the end panel or light socket. DO NOT use LED bulbs as they may reduce the range or performance of your remote control(s).
3. Rotate the lens up to close.



7 Attach the Emergency Release Rope and Handle

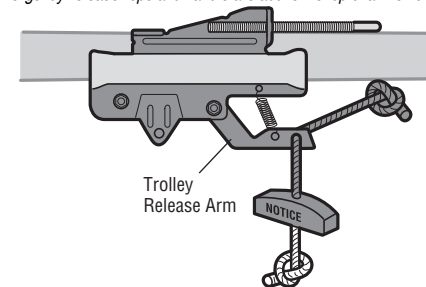
⚠ WARNING

To prevent possible SERIOUS INJURY or DEATH from a falling door:

- If possible, use emergency release handle to disengage trolley ONLY when door is CLOSED. Weak or broken springs or unbalanced door could result in an open door falling rapidly and/or unexpectedly.
- NEVER use emergency release handle unless doorway is clear of persons and obstructions.
- NEVER use handle to pull door open or closed. If rope knot becomes untied, you could fall.

1. Insert one end of the emergency release rope through the handle. Make sure that "NOTICE" is right side up. Secure with an overhand knot at least 1" (2.5 cm) from the end of the rope to prevent slipping.
2. Insert the other end of the emergency release rope through the hole in the trolley release arm. Mount the emergency release within reach, but at least 6 feet (1.83 m) above floor, avoiding contact with vehicles to prevent accidental release and secure with an overhand knot.

NOTE: If it is necessary to cut the emergency release rope, seal the cut end with a match or lighter to prevent unraveling. Ensure the emergency release rope and handle are above the top of all vehicles to avoid entanglement.



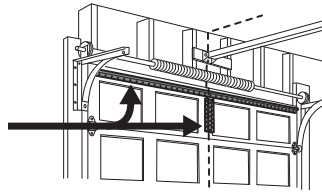
Installation

8 Install the Door Bracket

CAUTION

Fiberglass, aluminum or lightweight steel doors **WILL REQUIRE** reinforcement BEFORE installation of door bracket. Contact the door manufacturer or installing dealer for operator reinforcement instructions or reinforcement kit. Failure to reinforce the top section as required according to the door manufacturer may void the door warranty.

A horizontal and vertical reinforcement is needed for lightweight doors (fiberglass, aluminum, steel, doors with glass panel, etc.) (not provided). A horizontal reinforcement brace should be long enough to be secured to two or three vertical supports. A vertical reinforcement brace should cover the height of the top panel. Contact the door manufacturer or installing dealer for operator reinforcement instructions or reinforcement kit.



NOTE: Many door reinforcement kits provide for direct attachment of the clevis pin and door arm. In this case you will not need the door bracket; proceed to the next step.

SECTIONAL DOORS

1. Center the door bracket on the vertical center line that was previously marked for the header bracket installation. Note the correct top placement, as stamped inside the flat bracket.
2. Position the top edge of the bracket 2"-4" (5-10 cm) below the top edge of the door, OR directly below any structural support across the top of the door.
3. Mark, drill holes and install as follows, depending on your door's construction:

Metal or light weight doors using a vertical angle iron brace between the door panel support and the door bracket:

- Drill 3/16" fastening holes. Secure the door bracket using the two self threading screws. (Figure 1)
- Alternately, use two 5/16"-18x2" bolts, lock washers and nuts (not provided). (Figure 2)

Metal, insulated or light weight factory reinforced doors:

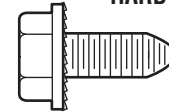
- Drill 3/16" fastening holes. Secure the door bracket using the self-threading screws. (Figure 3)

Wood Doors:

- Use top and bottom or side to side door bracket holes. Drill 5/16" holes through the door and secure bracket with 5/16"-18 x 2" carriage bolts, lock washers and nuts (not provided). (Figure 4)

NOTE: The 1/4"-14 x 5/8" self-threading screws are not intended for use on wood doors.

HARDWARE



Self-Threading Screw
1/4"-14 x 5/8"

FIGURE 1

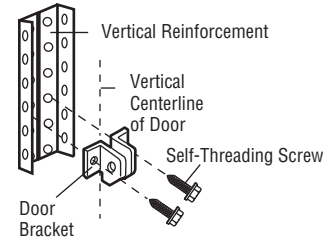


FIGURE 2

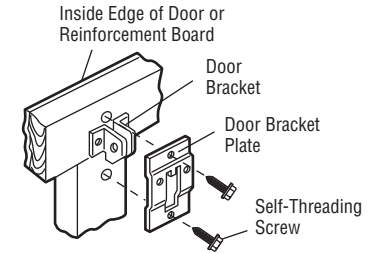


FIGURE 3

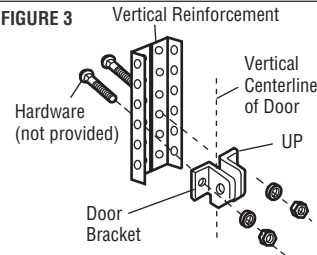
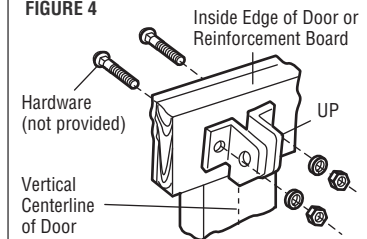


FIGURE 4



Installation

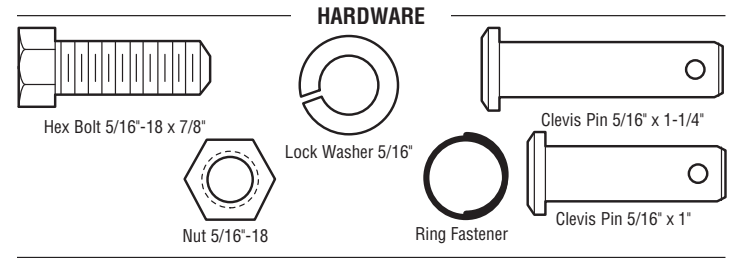
9 Connect the Door Arm to the Trolley

IMPORTANT: The groove on the straight door arm **MUST** face away from the curved door arm.

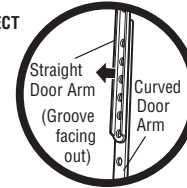
1. Close the door. Disconnect the trolley by pulling the emergency release handle. Slide the outer trolley back (away from the door) about 2" (5 cm).
2. Attach the straight door arm to the outer trolley using the clevis pin. Attach with the ring fastener.
3. Attach the curved door arm to the door bracket using the clevis pin. Attach with the ring fastener.
4. Align the straight door arm with the curved door arm. Select two aligned holes (as far apart as possible) and attach using the bolts, nuts and lock washers.

NOTE: If the holes do not line up, reverse the straight door arm. Select two aligned holes (as far apart as possible) and attach using the bolts, nuts and lock washers.

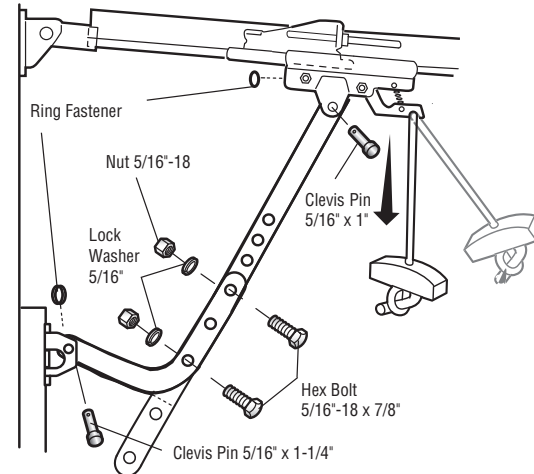
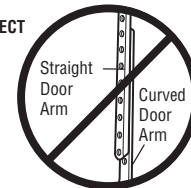
5. Pull the emergency release handle toward the door operator until the trolley release arm is horizontal. The trolley will re-engage automatically when the door operator is activated.



CORRECT



INCORRECT



Install the Door Control

1 Install the Door Control

WARNING

To prevent possible **SERIOUS INJURY** or **DEATH** from electrocution:

- Be sure power is **NOT** connected **BEFORE** installing door control.
- Connect door control **ONLY** to **12 VOLT** low voltage wires.

To prevent possible **SERIOUS INJURY** or **DEATH** from a closing door:

- Install door control within sight of door, out of reach of small children at a minimum height of 5 feet (1.5 m) above floors, landings, steps or any other adjacent walking surface, and away from **ALL** moving parts of door.
- **NEVER** permit children to operate or play with door control push buttons or remote control transmitters.
- Activate door **ONLY** when it can be seen clearly, is properly adjusted, and there are no obstructions to door travel.
- **ALWAYS** keep door in sight until completely closed. **NEVER** permit anyone to cross path of closing door.

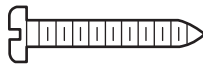
INTRODUCTION

Compatible with myQ® and Security+ 2.0® accessories, see page 36. Your door operator is compatible with up to 2 Smart Control Panels or 4 of any other Security+ 2.0® door controls. **NOTE:** Older LiftMaster door controls and third party products are not compatible.

Install door control within sight of door, out of reach of small children at a minimum height of 5 feet (1.5 m) above floors, landings, steps or any other adjacent walking surface, and away from **ALL** moving parts of door. For gang box installations it is not necessary to drill holes or install the drywall anchors. Use the existing holes in the gang box.

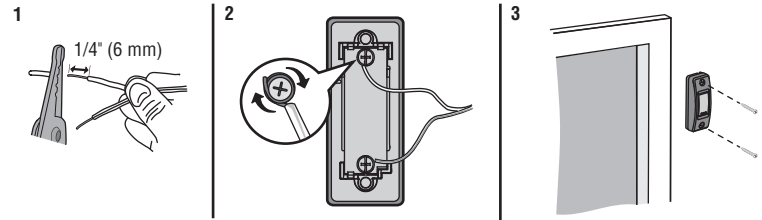
NOTE: Your product may look different than the illustrations.

HARDWARE



Screw 6ABx1" (2)

1. Strip 1/4" (6 mm) of insulation from one end of the wire and separate the wires.
2. Connect one wire to each of the two screws on the back of the door control. The wires can be connected to either screw.
3. Mount the door control with the hardware provided.

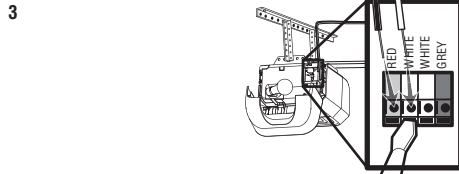
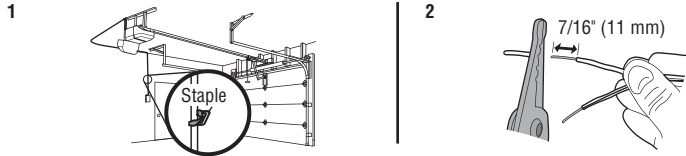


Install the Door Control

2 Wire the door control to the door operator

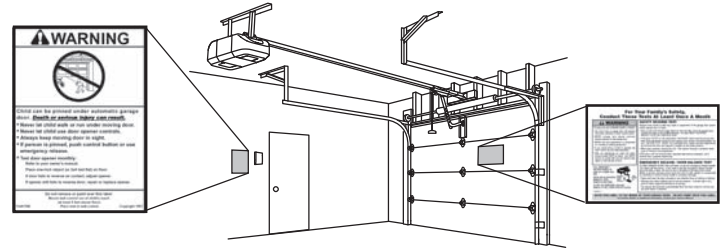
PRE-WIRED INSTALLATIONS: When wiring the door control to the door operator make sure you use the same wires that are connected to the door control.

1. Run the white and red/white wire from the door control to the door operator. Attach the wire to the wall and ceiling with staples (not applicable for gang box or pre-wired installations). Do not pierce the wire with the staple as this may cause a short or an open circuit.
2. Strip 7/16 inch (11 mm) of insulation from the end of the wire near the door operator.
3. Connect the wire to the red and white terminals on the door operator. To insert or release wires from the terminal, push in the tab with screwdriver tip.



3 Attach the warning labels

1. Attach the entrapment warning label on the wall near the door control with tacks or staples.
2. Attach the manual release/safety reverse test label in a visible location on the inside of the door.



Install the Protector System®

Introduction

WARNING

Be sure power is NOT connected to the door operator BEFORE installing the safety reversing sensor.
To prevent SERIOUS INJURY or DEATH from closing door:

- Correctly connect and align the safety reversing sensor. This required safety device MUST NOT be disabled.
- Install the safety reversing sensor so beam is NO HIGHER than 6" (15 cm) above floor.

IMPORTANT INFORMATION ABOUT THE SAFETY REVERSING SENSORS

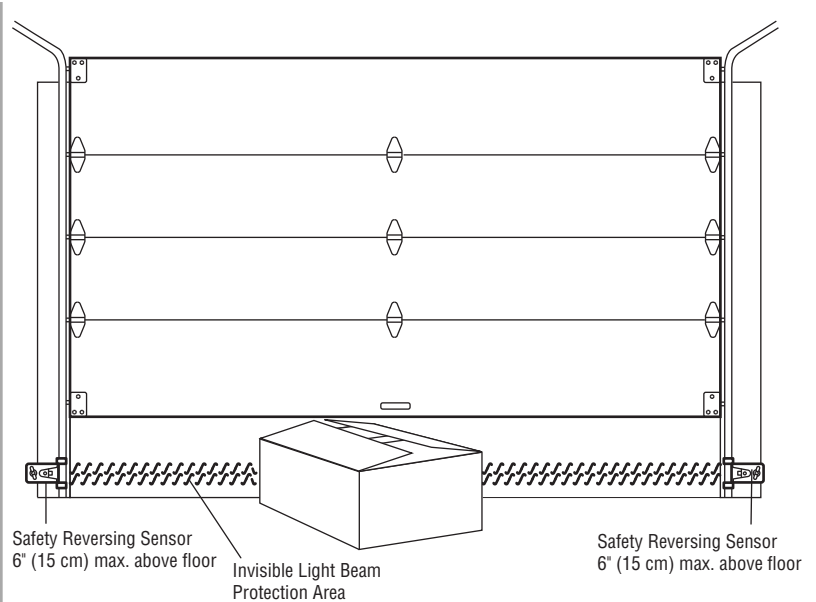
The safety reversing sensors must be connected and aligned correctly before the door will move in the down direction.

The sending sensor (with an amber LED) transmits an invisible light beam to the receiving sensor (with a green LED). If an obstruction breaks the light beam while the door is closing, the door will stop and reverse to the full open position, and the door operator lights will flash 10 times.

NOTE: For energy efficiency the door operator will enter sleep mode when the door is fully closed. The sleep mode shuts the door operator down until activated. The sleep mode is sequenced with the door operator light bulb; as the light bulb turns off the sensor LEDs will turn off and whenever the door operator lights turn on the sensor LEDs will light. The door operator will not go into the sleep mode until the door operator has completed 5 cycles upon power up.

When installing the safety reversing sensors check the following:

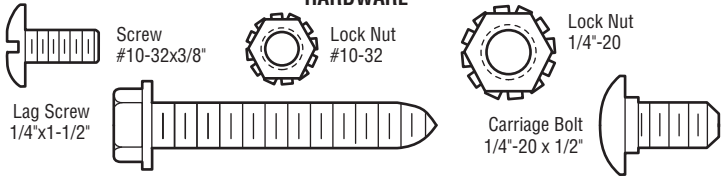
- Sensors are installed inside the building, one on either side of the door.
- Sensors are facing each other with the lenses aligned and the receiving sensor lens does not receive direct sunlight.
- Sensors are no more than 6 inches (15 cm) above the floor and the light beam is unobstructed.



Install the Protector System®

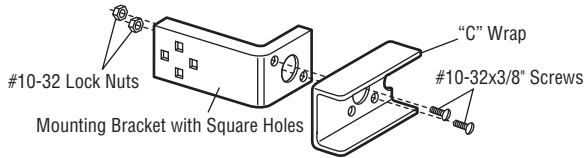
1 Assemble and Mount the Brackets

HARDWARE



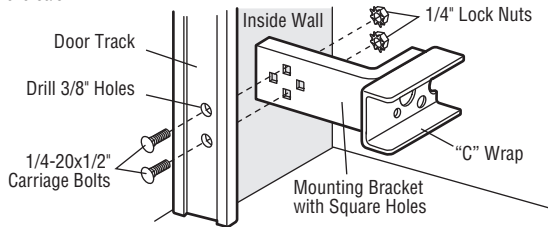
The following instructions show recommended assembly of the bracket(s) and "C" wrap based on the wall installation of the safety reversing sensors on each side of the door or on the door tracks themselves. There are also alternate mounting methods which may fit your installation requirements better. **Make sure the wraps and brackets are aligned so the safety reversing sensors will face each other across the door. Mount sensors no more than 6" (15 cm) above the floor and at a width between 7'-30" (2.1 m - 9.1 m).**

Fasten the "C" wraps to the mounting brackets having square holes, using hardware shown.



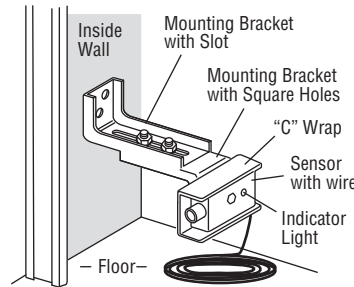
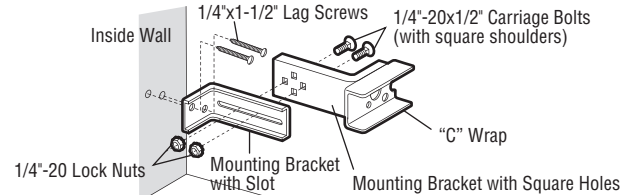
DOOR TRACK INSTALLATION

Discard slotted bracket. Drill 3/8" holes in each track and fasten securely with hardware. Do not exceed 6" (15 cm) above the floor. **NOTE:** Ensure the door track does not vibrate when the door is in motion. Excessive vibration can create nuisance reversals.

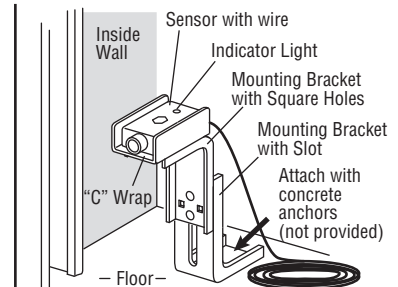


WALL INSTALLATION

1. Connect each assembly to a slotted bracket, using the hardware shown. **Note alignment of brackets for left and right sides of the door.**
2. Finger tighten the lock nuts
3. Use bracket mounting holes as a template to locate and drill (2) 3/16" diameter pilot holes on both sides of the door, 4-6" (10-15 cm) above the floor. Do not exceed 6" (15 cm).
4. Attach bracket assemblies with 1/4"x1-1/2" lag screws.
5. Adjust right and left side bracket assemblies to the same distance out from mounting surface. Make sure all door hardware obstructions are cleared. Tighten the nuts securely.
6. Center each sensor in the bracket with the lenses pointing toward each other across the door.
7. Attach the sensors to the brackets with the provided hardware. Finger tighten the receiving sensor wing nut. Securely tighten the sending sensor wing nut.



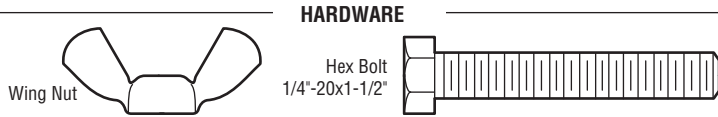
Alternate Wall Mount



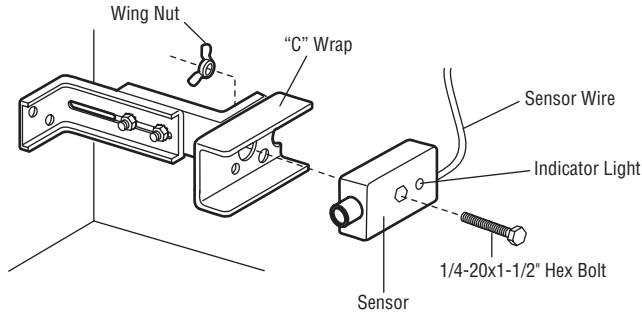
Alternate Floor Mount

Install the Protector System®

2 Mount the Safety Reversing Sensors



1. Center each sensor in the bracket with the lenses pointing toward each other across the door.
2. Attach the sensors to the brackets with the provided hardware (as shown). Finger tighten the receiver sensor wing nut. Securely tighten the emitter sensor wing nut.

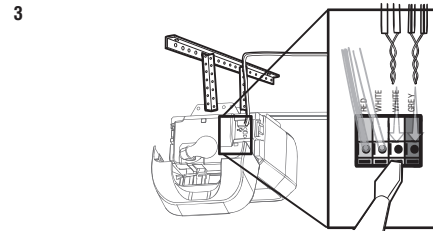
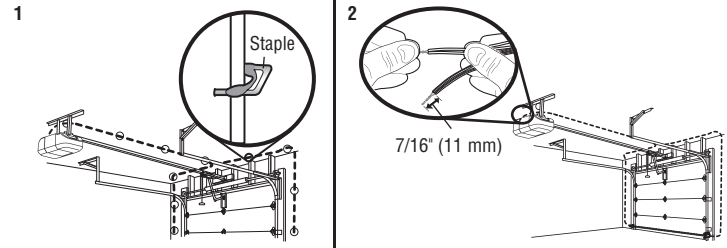


3 Wire the Safety Reversing Sensors

PRE-WIRED INSTALLATIONS: If your building already has wires installed for the safety reversing sensors, see page 22.

OPTION A INSTALLATION WITHOUT PRE-WIRING

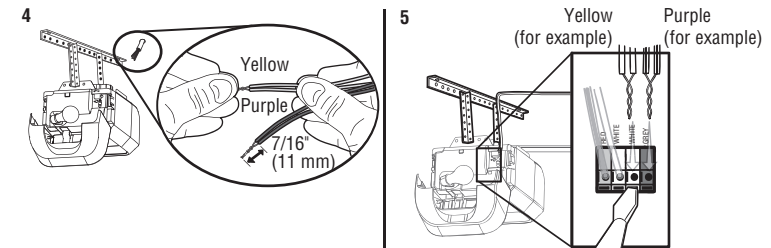
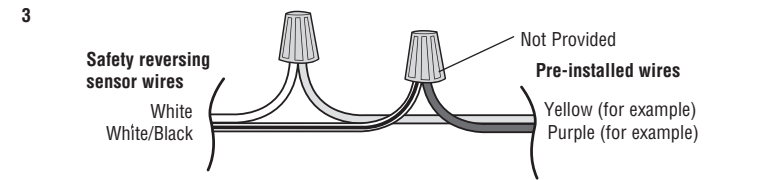
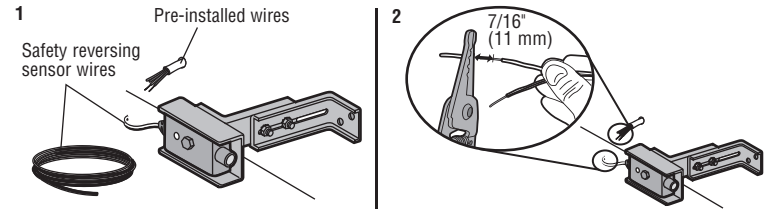
1. Run the wire from both sensors to the door operator. Attach the wire to the wall and ceiling with staples.
2. Strip 7/16 inch (11 mm) of insulation from each set of wires. Separate the wires. Twist the white wires together. Twist the white/black wires together.
3. Insert the white wires into the white terminal on the door operator. Insert the white/black wires into the grey terminal on the door operator. To insert or remove the wires from the terminal, push in the tab with a screwdriver tip.



Install the Protector System®

OPTION B PRE-WIRED INSTALLATION

1. Cut the end of the safety reversing sensor wire, making sure there is enough wire to reach the pre-installed wires from the wall.
2. Separate the safety reversing sensor wires and strip 7/16 inch (11 mm) of insulation from each end. Choose two of the pre-installed wires and strip 7/16 inch (11 mm) of insulation from each end. Make sure that you choose the same color pre-installed wires for each sensor.
3. Connect the pre-installed wires to the sensor wires with wire nuts making sure the colors correspond for each sensor. For example, the white wire would connect to the yellow wire and the white/black wire would connect to the purple wire.
4. At the door operator, strip 7/16 inch (11 mm) of insulation from each end of the wires previously chosen for the safety reversing sensors. Twist the like-colored wires together.
5. Insert the wires connected to the white safety sensor wires to the white terminal on the door operator. Insert the wires that are connected to the white/black safety sensor wires to the grey terminal on the door operator.



To insert or remove the wires from the terminal, push in the tab with a screwdriver tip.

Power

1 Connect Power

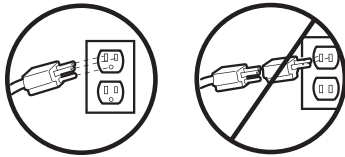
WARNING

To prevent possible **SERIOUS INJURY** or **DEATH** from electrocution or fire:

- Be sure power is **NOT** connected to the operator, and disconnect power to circuit **BEFORE** removing cover to establish permanent wiring connection.
- Door installation and wiring **MUST** be in compliance with **ALL** local electrical and building codes.
- **NEVER** use an extension cord, 2-wire adapter, or change plug in **ANY** way to make it fit outlet. Be sure the operator is grounded.

To avoid installation difficulties, do not activate the door operator at this time.

To reduce the risk of electric shock, your door operator has a grounding type plug with a third grounding pin. This plug will only fit into a grounding type outlet. If the plug doesn't fit into your outlet, contact a qualified electrician to install the proper outlet.

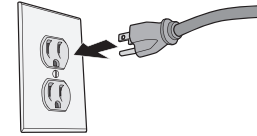


THERE ARE TWO OPTIONS FOR CONNECTING POWER:

OPTION A - TYPICAL WIRING

1. Plug in the door operator into a grounded outlet.
2. **DO NOT** run door operator at this time.

TYPICAL WIRING

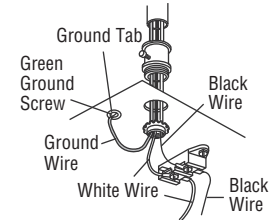


OPTION B - PERMANENT WIRING

If permanent wiring is required by your local code, refer to the following procedure. To make a permanent connection through the 7/8 inch hole in the top of the motor unit (according to local code):

1. Remove the motor unit cover screws and set the cover aside.
2. Remove the attached 3-prong cord.
3. Connect the black (line) wire to the screw on the brass terminal; the white (neutral) wire to the screw on the silver terminal; and the ground wire to the green ground screw. **The operator must be grounded.**
4. Reinstall the cover.

PERMANENT WIRING



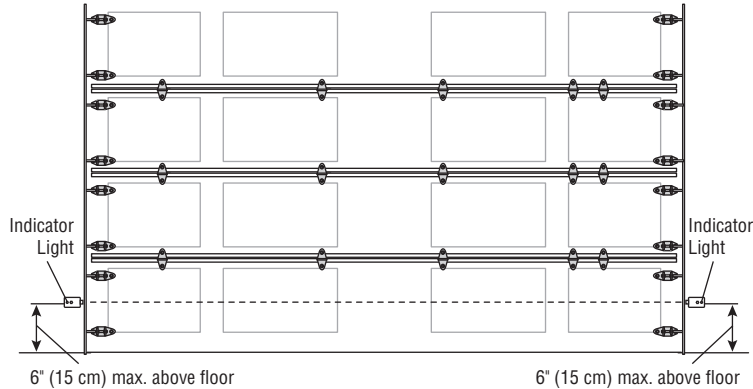
Power

2 Ensure the Safety Reversing Sensors are Aligned

The door will not close if the sensors have not been installed and aligned correctly.

When the light beam is obstructed or misaligned while the door is closing, the door will reverse and the door operator lights will flash ten times. If the door is already open, it will not close. The sensors can be aligned by loosening the wing nuts, aligning the sensors, and tightening the wing nuts.

1. Check to make sure the LEDs in both sensors are glowing steadily. The LEDs in both sensors will glow steadily if they are aligned and wired correctly.



If the emitter sensor and receiver sensor indicator lights do not glow steadily after installation, check for:

- Photoelectric sensor alignment
- Obstruction
- Power to the operator
- A short or broken wire
- Incorrect wiring between photoelectric sensors and the operator

If the receiver sensor indicator light is off or flashing (and the invisible light beam path is not obstructed), check alignment of the sensors and/or for an open wire to the receiver sensor.

If the emitter sensor and receiver sensor indicator lights are both glowing steadily but interrupting the photoelectric sensors does not cause the door to reverse when closing, check both sensors to make sure one sensor is the emitter and the other is a receiver sensor as indicated on the sensor housing.

NOTES:

- Direct sunlight to the receiver sensor may prevent the operator from closing even when both the emitter and receiver indicator lights are illuminated. Swapping the position of the emitter and receiver sensors will resolve this issue.
- Professional service is required if the operator closes the door when the photoelectric sensors are obstructed.

3 Ensure the Door Control is Wired Correctly

If the door control has been installed and wired correctly, the LED behind the push button will blink.

Adjustments

Introduction

WARNING

Without a properly installed safety reversal system, persons (particularly small children) could be **SERIOUSLY INJURED** or **KILLED** by a closing door.

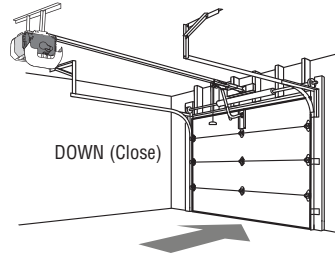
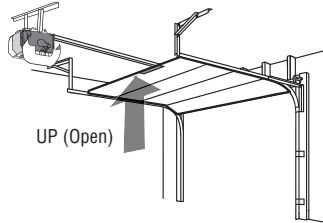
- Incorrect adjustment of door travel limits will interfere with proper operation of safety reversal system.
- After ANY adjustments are made, the safety reversal system **MUST** be tested. Door **MUST** reverse on contact with 1-1/2" (3.8 cm) high object (or 2x4 laid flat) on floor.

CAUTION

To prevent damage to vehicles, be sure fully open door provides adequate clearance.

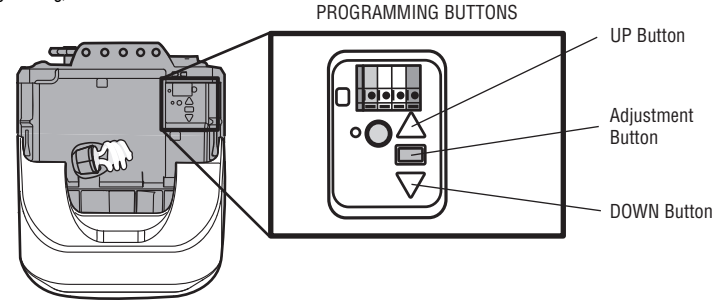
Your door operator is designed with electronic controls to make setup and adjustments easy. The adjustments allow you to program where the door will stop in the open (UP) and close (DOWN) position. The electronic controls sense the amount of force required to open and close the door. The force is adjusted automatically when you program the travel.

NOTE: *If anything interferes with the door's upward travel it will stop. If anything interferes with the door's downward travel, it will reverse.*



PROGRAMMING BUTTONS

The programming buttons are located on the side panel of the door operator and are used to program the travel. While programming, the UP and DOWN buttons can be used to move the door as needed.



Adjustments

1 Program the Travel

WARNING

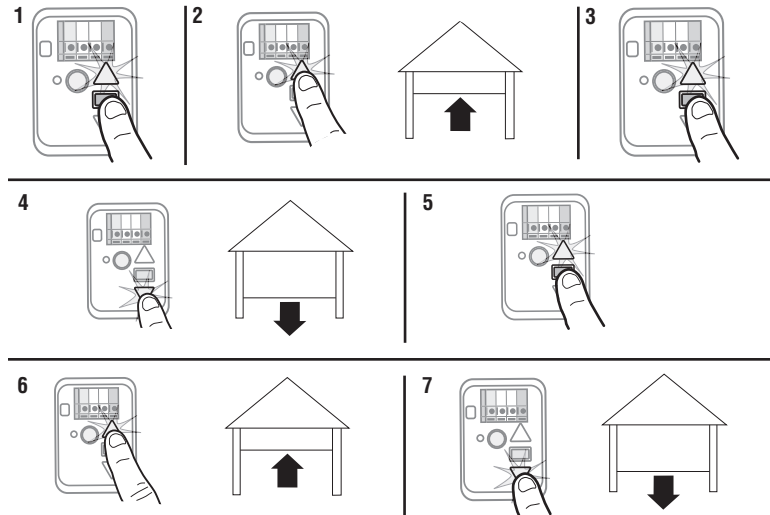
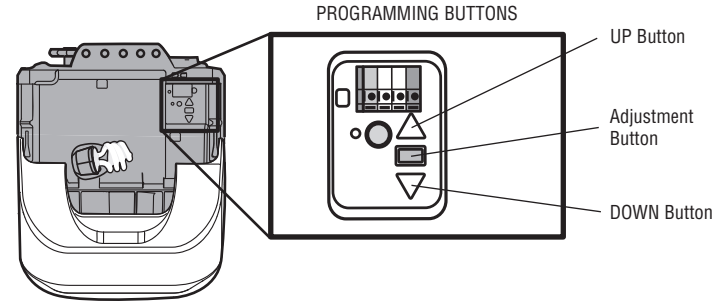
Without a properly installed safety reversal system, persons (particularly small children) could be **SERIOUSLY INJURED** or **KILLED** by a closing door.

- Incorrect adjustment of door travel limits will interfere with proper operation of safety reversal system.
- After ANY adjustments are made, the safety reversal system **MUST** be tested. Door **MUST** reverse on contact with 1-1/2" (3.8 cm) high object (or 2x4 laid flat) on floor.

While programming, the UP and DOWN buttons can be used to move the door as needed.

1. Press and hold the Adjustment Button until the UP Button begins to flash and/or a beep is heard.
2. Press and hold the UP Button until the door is in the desired UP position.
3. Once the door is in the desired UP position press and release the Adjustment Button. The door operator lights will flash twice and the DOWN Button will begin to flash.
4. Press and hold the DOWN button until the door is in the desired DOWN position.
5. Once the door is in the desired DOWN position press and release the Adjustment Button. The door operator lights will flash twice and the UP Button will begin to flash.
6. Press and release the UP Button. When the door travels to the programmed UP position, the DOWN Button will begin to flash.
7. Press and release the DOWN Button. The door will travel to the programmed DOWN position. Programming is complete.

If the door operator lights are flashing 5 times during the steps for Program the Travel, the programming has timed out. If the door operator lights are flashing 10 times during the steps for Program the Travel, the safety reversing sensors are misaligned or obstructed (refer to page 24). When the sensors are aligned and unobstructed, cycle the door through a complete up and down cycle using the remote control or the UP and DOWN buttons. Programming is complete. If you are unable to operate the door up and down, repeat the steps for Programming the Travel.



Adjustments

2 Test the Safety Reversal System

WARNING

Without a properly installed safety reversal system, persons (particularly small children) could be **SERIOUSLY INJURED** or **KILLED** by a closing door.

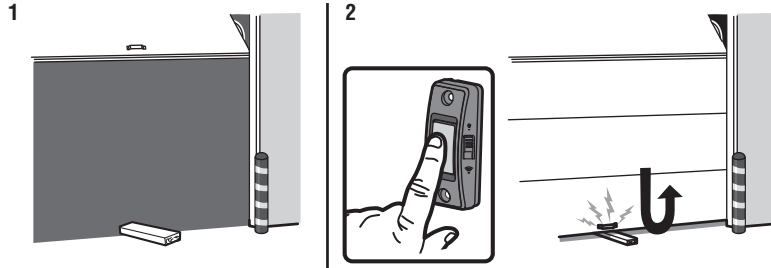
- Safety reversal system **MUST** be tested every month.
- After **ANY** adjustments are made, the safety reversal system **MUST** be tested. Door **MUST** reverse on contact with 1-1/2" (3.8 cm) high object (or 2x4 laid flat) on the floor.

1. With the door fully open, place a 1-1/2 inch (3.8 cm) board (or a 2x4 laid flat) on the floor, centered under the door.
2. Press the push button on the door control. The door **MUST** reverse when it makes contact with the board.

If the door stops but does not reverse:

1. Review the installation instructions provided to insure all steps were followed;
2. Repeat Program the Travel (see Adjustment Step 1);
3. Repeat the Safety Reversal test.

If the test continues to fail, call a trained door systems technician.



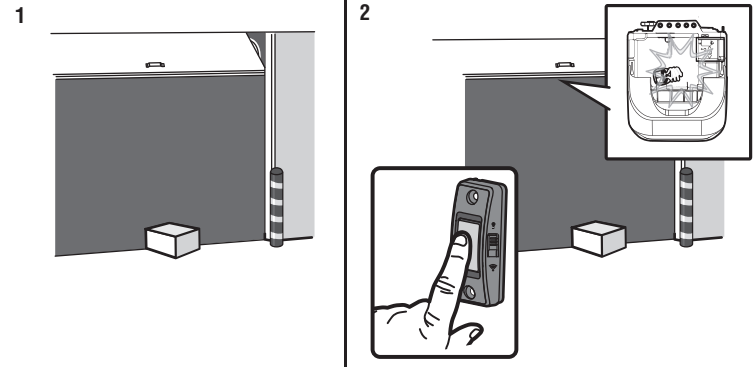
3 Test the Protector System®

WARNING

Without a properly installed safety reversing sensor, persons (particularly small children) could be **SERIOUSLY INJURED** or **KILLED** by a closing door.

1. Open the door. Place the operator carton in the path of the door.
2. Press the push button on the door control to close the door. The door will not move more than an inch (2.5 cm), and the door operator lights will flash 10 times.

The door operator will not close from a remote control if the LED in either safety reversing sensor is off (alerting you to the fact that the sensor is misaligned or obstructed). If the door operator closes the door when the safety reversing sensor is obstructed (and the sensors are no more than 6 inches [15 cm] above the floor), call for a trained door systems technician.



IMPORTANT SAFETY INSTRUCTIONS



To reduce the risk of SEVERE INJURY or DEATH:

1. READ AND FOLLOW ALL WARNINGS AND INSTRUCTIONS.
2. ALWAYS keep remote controls out of reach of children. NEVER permit children to operate or play with door control push buttons or remote controls.
3. ONLY activate door when it can be seen clearly, it is properly adjusted, and there are no obstructions to door travel.
4. ALWAYS keep door in sight and away from people and objects until completely closed. NO ONE SHOULD CROSS THE PATH OF THE MOVING DOOR.
5. NO ONE SHOULD GO UNDER A STOPPED, PARTIALLY OPENED DOOR.
6. If possible, use emergency release handle to disengage trolley ONLY when door is CLOSED. Use caution when using this release with the door open. Weak or broken springs or unbalanced door could result in an open door falling rapidly and/or unexpectedly and increasing the risk of SEVERE INJURY or DEATH.
7. NEVER use emergency release handle unless doorway is clear of persons and obstructions.
8. NEVER use handle to pull door open or closed. If rope knot becomes untied, you could fall.
9. After ANY adjustments are made, the safety reversal system MUST be tested.
10. Safety reversal system MUST be tested every month. Door MUST reverse on contact with 1-1/2" (3.8 cm) high object (or a 2x4 laid flat) on the floor. Failure to adjust the door operator properly increases the risk of SEVERE INJURY or DEATH.
11. ALWAYS KEEP DOOR PROPERLY BALANCED (see page 4). An improperly balanced door may NOT reverse when required and could result in SEVERE INJURY or DEATH.
12. ALL repairs to cables, spring assemblies and other hardware, ALL of which are under EXTREME tension, MUST be made by a trained door systems technician.
13. To avoid SERIOUS PERSONAL INJURY or DEATH from electrocution, disconnect ALL electric power BEFORE performing ANY service or maintenance.
14. This operator system is equipped with an unattended operation feature. The door could move unexpectedly. NO ONE SHOULD CROSS THE PATH OF THE MOVING DOOR.
15. DO NOT install on a one-piece door if using devices or features providing unattended close. Unattended devices and features are to be used ONLY with sectional doors.

16. SAVE THESE INSTRUCTIONS.

Operation

Features

Your door operator is equipped with features to provide you with greater control over your door operation.

Alert2Close

The Alert2Close feature provides a visual and an audible alert that an unattended door is closing.

TIMER-TO-CLOSE (TTC)

The TTC feature automatically closes the door after a specified time period that can be adjusted using a TTC enabled door control (Models 881LMW or 880LMW). Prior to and during the door closing the door operator lights will flash and the door operator will beep.

myQ

myQ allows you to control your door operator from your mobile device or computer from anywhere. myQ technology uses a 900Mhz signal to provide two way communication between the door operator and myQ enabled accessories. The door operator has an internal gateway that allows the door operator to communicate directly with a building's Wi-Fi® network and access your myQ account.

THE PROTECTOR SYSTEM® (SAFETY REVERSING SENSORS)

When properly connected and aligned, the safety reversing sensors will detect an obstruction in the path of the infrared beam. If an obstruction breaks the infrared beam while the door is closing, the door will stop and reverse to full open position, and the operator lights will flash 10 times. If the door is fully open, and the safety reversing sensors are not installed, or are misaligned, the door will not close from a remote control. However, you can close the door if you hold the button on the door control or keyless entry until the door is fully closed. The safety reversing sensors do not affect the opening cycle. For more information see page 19.

ENERGY CONSERVATION

For energy efficiency the door operator will enter sleep mode when the door is fully closed. The sleep mode shuts the door operator down until activated. The sleep mode is sequenced with the door operator light bulb; as the light bulb turns off the sensor LEDs will turn off and whenever the door operator lights turn on the sensor LEDs will light. The door operator will not go into the sleep mode until the door operator has completed 5 cycles upon power up.

LIGHTS

The door operator light bulbs will turn on when the operator is initially plugged in; power is restored after interruption, or when the door operator is activated. The lights will turn off automatically after 4-1/2 minutes. An incandescent A19 light bulb (100 watt maximum) or for maximum energy efficiency a 26W (100W equivalent) compact fluorescent light (CFL) bulb may be used.

Light Feature

The door operator is equipped with an added feature; the lights will turn on when someone enters through the open door and the safety reversing sensor infrared beam is broken.

USING YOUR DOOR OPERATOR

The door operator can be activated through a wall-mounted door control, remote control, wireless keyless entry or myQ accessory. When the door is closed and the door operator is activated the door will open. If the door senses an obstruction or is interrupted while opening the door will stop. When the door is in any position other than closed and the door operator is activated the door will close. If the door operator senses an obstruction while closing, the door will reverse. If the obstruction interrupts the sensor beam the door operator lights will blink 10 times. However, you can close the door if you hold the button on the door control or keyless entry until the door is fully closed. The safety reversing sensors do not affect the opening cycle. The safety reversing sensor must be connected and aligned correctly before the door will move in the down direction.

Operation

Connect With Your Smartphone

The Wi-Fi door operator is compatible with up to 16 myQ enabled accessories. Up to 10 devices can be paired to the Wi-Fi door operator's internal gateway. These devices can be controlled with the myQ app. These devices include any combination of myQ door operators, Wi-Fi door operators, myQ light controls, myQ gate operators or myQ commercial door operators. A LiftMaster Internet Gateway (828LM) can be added if you need to control more than 10 devices using the myQ app. Up to 6 devices can be paired to door operator itself (controlled by door operator through 900MHz). These devices include any combination of myQ light controls or a door and gate monitor.

You will need:

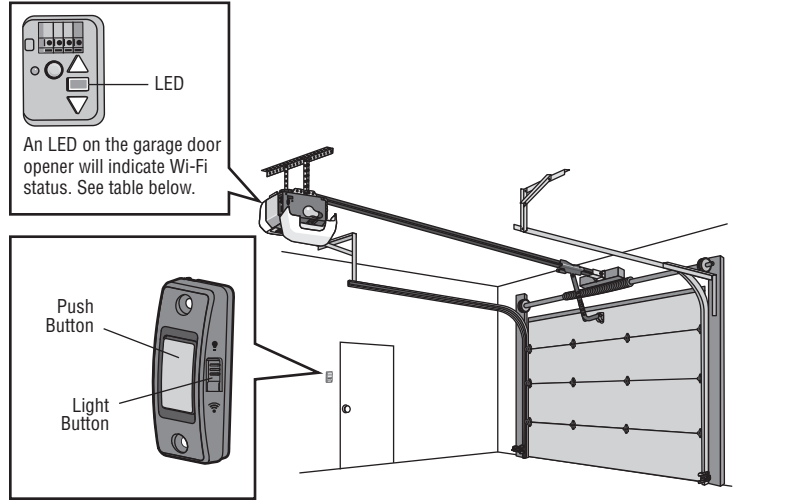
- Wi-Fi enabled smartphone, tablet or laptop
- Broadband Internet Connection
- Wi-Fi signal in the building (**2.4 Ghz, 802.11b/g/n required**), see page 4
- Password for your building's network (router's main account, not guest network)
- myQ serial number located on the door operator

Connect Your Door Operator to Your Building's Wi-Fi Network

Open and close your door, get alerts and set schedules from anywhere. Connected smart door operators also receive software updates to ensure the operator has the latest operational features.

1. Download the myQ App.
2. Set up an account and connect.

For more information on connecting your door operator, visit support.chamberlaingroup.com.



Wi-Fi Status	
LED	Definition
Blue	Off - Wi-Fi is not turned on. Blinking - door operator is in Wi-Fi learn mode. Solid - Mobile device connected to the door operator.
Blue and Green	Blinking - Attempting to connect to router.
Green	Blinking - Attempting to connect to the Internet server. Solid - Wi-Fi has been set up and door operator is connected to the internet.

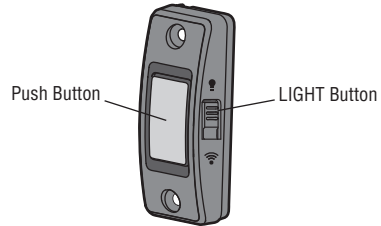
If you need help adding devices to your myQ account, or to learn more go to support.chamberlaingroup.com.

Operation

Using the 883LMW Door Control

SYNCHRONIZE THE DOOR CONTROL

To synchronize the door control to the door operator, press the push button until the door operator activates (it may take up to 3 presses). Test the door control by pressing the push button, each press of the push button will activate the door operator.



PUSH BUTTON

Press the push button to open or close the door.

LIGHT BUTTON

Press the LIGHT button to turn the door operator lights on or off. When the lights are turned on they will stay on until the LIGHT button is pressed again, or until the door operator is activated. Once the door operator is activated the lights will turn off after the specified period of time (the factory setting is 4-1/2 minutes). The LIGHT button will not control the lights when the door is in motion.

Operation

To Open the Door Manually

WARNING

To prevent possible **SERIOUS INJURY** or **DEATH** from a falling door:

- If possible, use emergency release handle to disengage trolley **ONLY** when door is **CLOSED**. Weak or broken springs or unbalanced door could result in an open door falling rapidly and/or unexpectedly.
- **NEVER** use emergency release handle unless doorway is clear of persons and obstructions.
- **NEVER** use handle to pull door open or closed. If rope knot becomes untied, you could fall.

NOTE: *Disengage any door locks before proceeding.*

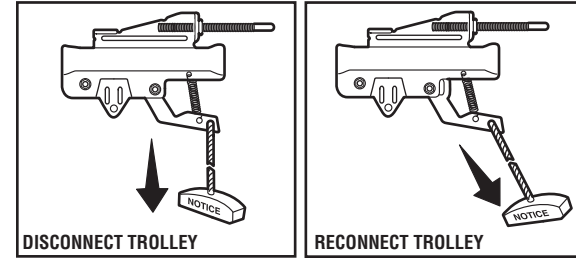
DISCONNECT THE TROLLEY

1. The door should be fully closed if possible.
2. Pull down on the emergency release handle.

RECONNECT THE TROLLEY

The lockout feature prevents the trolley from reconnecting automatically.

1. Pull the emergency release handle down and back (toward the operator). The door can then be raised and lowered manually as often as necessary.
2. To disengage the lockout feature, pull the handle straight down. The trolley will reconnect on the next UP or DOWN operation, either manually or by using the door control or remote control.



Maintenance

Maintenance Schedule

EVERY MONTH

- Manually operate door. If it is unbalanced or binding, call a trained door systems technician.
- Check to be sure door opens and closes fully. Adjust if necessary, see page 25.
- Test the safety reversal system. Adjust if necessary, see page 27.

TWO TIMES A YEAR

- Check chain tension. disconnect trolley first. Adjust if necessary (see page 8).

EVERY YEAR

- Oil door rollers, bearings and hinges. The door operator does not require additional lubrication. Do not grease the door tracks.

EVERY THREE TO FOUR YEARS

- Use a rag to wipe away the existing grease from the door operator rail. Reapply a small layer of white lithium grease to the top and underside of the rail surface where the trolley slides.

NOTICE: This device complies with Part 15 of the FCC rules and Industry Canada's license-exempt RSSs. Operation is subject to the following two conditions: (1) this device may not cause harmful interference, and (2) this device must accept any interference received, including interference that may cause undesired operation.

Any changes or modifications not expressly approved by the party responsible for compliance could void the user's authority to operate the equipment.

This device must be installed to ensure a minimum 20 cm (8 in.) distance is maintained between users/bystanders and device.

This device has been tested and found to comply with the limits for a Class B digital device, pursuant to part 15 of the FCC rules and Industry Canada (ICES) standard. These limits are designed to provide reasonable protection against harmful interference in a residential installation. This equipment generates, uses and can radiate radio frequency energy and, if not installed and used in accordance with the instructions, may cause harmful interference to radio communications. However, there is no guarantee that interference will not occur in a particular installation. If this equipment does cause harmful interference to radio or television reception, which can be determined by turning the equipment off and on, the user is encouraged to try to correct the interference by one or more of the following measures:

- Reorient or relocate the receiving antenna.
- Increase the separation between the equipment and receiver.
- Connect the equipment into an outlet on a circuit different from that to which the receiver is connected.
- Consult the dealer or an experienced radio/TV technician for help.

Troubleshooting

Diagnostic Chart

Your door operator is programmed with self-diagnostic capabilities. The UP and DOWN arrows on the door operator flash the diagnostic codes.

DIAGNOSTIC CODE		SYMPTOM	SOLUTION
Up Arrow Flash (es)	Down Arrow Flash (es)		
1	1	The door operator will not close and the light bulbs flash.	Safety reversing sensors are not installed, connected, or wires may be cut. Inspect sensor wires for a disconnected or cut wire.
1	2	The door operator will not close and the light bulbs flash.	There is a short or reversed wire for the safety reversing sensors. Inspect safety sensor wire at all staple and connection points, replace wire or correct as needed.
1	3	The door control will not function.	The wires for the door control are shorted or the door control is faulty. Inspect door control wires at all staple and connection points, replace wire or correct as needed.
1	4	The door operator will not close and the light bulbs flash.	Safety reversing sensors are misaligned or were momentarily obstructed. Realign both sensors to ensure both LEDs are steady and not flickering. Make sure nothing is hanging or mounted on the door that would interrupt the sensor's path while closing.
1	5	Door moves 6-8" (15-20 cm) stops or reverses.	Manually open and close the door. Check for binding or obstructions, such as a broken spring or door lock, correct as needed. Check wiring connections at travel module and at the logic board. Replace travel module if necessary.
		No movement, only a single click.	Manually open and close the door. Check for binding or obstructions, such as a broken spring or door lock, correct as needed. Replace logic board if necessary.
		Operator hums for 1-2 seconds no movement.	Manually open and close the door. Check for binding or obstructions, such as a broken spring or door lock, correct as needed. Replace motor if necessary.
1	6	Door coasts after it has come to a complete stop.	Program travel to coasting position or have door balanced by a trained door systems technician.
2	1-5	No movement, or sound.	Replace logic board.
3	2	Unable to set the travel or retain position.	Check travel module for proper assembly, replace if necessary.

Troubleshooting

DIAGNOSTIC CODE		SYMPTOM	SOLUTION
Up Arrow Flash (es)	Down Arrow Flash (es)		
4	1-4	Door is moving stops or reverses.	Manually open and close the door. Check for binding or obstructions, such as a broken spring or door lock, correct as needed. If the door is binding or sticking contact a trained door systems technician. If door is not binding or sticking attempt to reprogram travel (refer to page 26).
4	5	Operator runs approximately 6-8" (15-20 cm), stops and reverses.	Communication error to travel module. Check travel module connections, replace travel module if necessary.
4	6	The door operator will not close and the light bulbs flash.	Safety reversing sensors are misaligned or were momentarily obstructed. Realign both sensors to ensure both LEDs are steady and not flickering. Make sure nothing is hanging or mounted on the door that would interrupt the sensor's path while closing.

The door operator will NOT enter Wi-Fi LEARN mode:

- After the initial installation of the door operator, the door operator must complete a full cycle (open and closed) before the Wi-Fi LEARN mode can be activated.
- If there has been a recent power outage, the door operator must complete a full cycle before the Wi-Fi LEARN mode can be activated.

See page 30 to activate Wi-Fi LEARN mode.

Cannot connect door operator to building's Wi-Fi network:

- Ensure the myQ Serial number was entered correctly and try again. The myQ characters are between A-F and 0-9 only.
- Weak Wi-Fi signal in the building. Ensure the Wi-Fi signal is reaching the operator, see page 4 or visit Liftmaster.com/Customer-Support for more information.

My door will not close and the light bulbs blink on my motor unit:

The safety reversing sensor must be connected and aligned correctly before the door will move in the down direction.

- Verify the safety reversing sensors are properly installed, aligned and free of any obstructions.

My door operator light(s) will not turn off when the door is open:

The door operator is equipped with a feature that turns the light on when the safety reversing sensors have been obstructed. This feature can be disabled using the door control, see page .

An unauthorized remote control opens my door:

Erase the memory from your door operator and reprogram the remote control(s).

My vehicle's Homelink® is not programming to my door operator:

Depending on the make, model, and year of your vehicle an external adapter may be required. Visit www.homelink.com for additional information.

Accessories

823LM



Remote Light Switch:
Automatically control your lights using your door operator, a Security+ 2.0 remote control or a LiftMaster Internet Gateway. Simply replaces your current wired wall switch.

829LM



Garage and Gate Monitor:
Monitor open/closed status for up to 4 myQ® compatible door operators or gate operators and close them from anywhere in the building.

893MAX



3-Button MAX Remote Control:
Compatible with LiftMaster door operators manufactured since 1993. Includes visor clip.

880LMW



Smart Control Panel:
Displays temperature, time and system diagnostics; includes a push bar to open and close the door and a lock feature for extra security. Security+ 2.0 and Wi-Fi compatible.

825LM



Remote Light Control:
Automatically control your lights using your door operator, a Security+ 2.0 remote control or a LiftMaster Internet Gateway. Plugs into any interior outlet.

877MAX



MAX Wireless Keyless Entry:
For use outside of the building to enable access using a 4-digit PIN. Works with ALL LiftMaster operators from 1993- present.

374UT



Mini Universal Remote Control:
The Mini Universal Remote Control can be programmed to activate up to two products, such as a garage door opener, myQ light controls, gate operator, or commercial door operator.

881LMW



Motion Detecting Control Panel with Timer-to-Close Control:
Multi-function door control with motion sensor that automatically turns operator lights on when it detects a person entering the building. Security+ 2.0 and Wi-Fi compatible.

975LM



Laser Garage Parking Assist:
Laser enables drivers to precisely park vehicles.

1702LM



Outside Quick Release:
Required for a building with NO access door. Enables owner to open the door manually from outside by disengaging trolley.

892LT/894LT



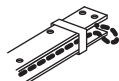
2 and 4 Button Learning Remote Controls:
Compatible with LiftMaster door operators manufactured since 1997. Also compatible with Encrypted DIP for gate applications.

886LMW



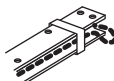
Motion Detecting Control Panel:
Multi-function door control with motion sensor that automatically turns operator lights on when it detects a person entering the building. Security+ 2.0 and Wi-Fi compatible.

CD1008



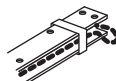
8 Foot (2.44 m) Complete Rail:
To allow an 8 foot (2.44 m) door to open fully.

CD1010



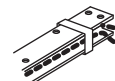
10 Foot (3.05 m) Complete Rail:
To allow a 10 foot (3.05 m) door to open fully.

CD1012



12 Foot (3.66 m) Complete Rail:
To allow a 12 foot (3.66 m) door to open fully.

CD1014



14 Foot (4.27 m) Complete Rail:
To allow a 14 foot (4.27 m) door to open fully.
NOTE: Requires additional assembly.

827LM



myQ® Remote LED Light:
Wireless light that can program to the door opener or a remote control.

Automatic Garage Door Opener Safety & Maintenance Guide

Garage Door Opener Safety – An Automatic Decision

A garage door is the largest moving object in the home. An improperly adjusted garage door and opener can exert deadly force when the door closes – which could lead to entrapment of children or adults and subsequent injury or death.

Proper installation, operation, maintenance, and testing of the garage door and automatic opener are necessary to provide a safe, trouble-free system. Careless operation or allowing children to play with or use garage door opener controls are also dangerous situations that can lead to tragic results. A few simple precautions can protect your family and friends from potential harm. Please review the safety and maintenance tips in this guide carefully and keep it for reference. Check the operation of your garage door and opener to ensure they function in a safe and trouble-free manner. Be sure to read all Important Safety Information found in your garage door opener's manual as it provides more details and safety considerations than can be supplied with this guide.

Garage Door Openers are Not Toys

Discuss garage door and opener safety with your children. Explain the danger of being trapped under the door.



Stay away from a moving door.



Keep transmitters and remote controls out of reach of children.

Do not let children play with or use transmitters or other remote control devices.



The wall-mounted push button should be out of reach of children, at least 5 feet from the nearest standing surface and away from all moving parts. Mount and use the button where you can clearly see the closing garage door.



Keep the door in sight until it completely closes when using the wall-mounted push button or transmitter.

Routine Maintenance Can Prevent Tragedies

Make monthly inspection and testing of your garage door and opener system a part of your regular routine. Review your owner's manual for both the door and door opener. If you don't have the owner's manuals, contact the manufacturer(s) and request a copy for your specific model(s). Look for the opener model number on the back of the power unit.

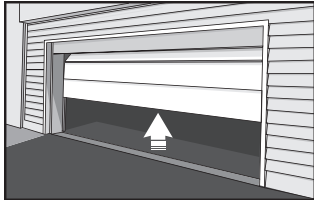


WARNING – Springs are under high tension. Only qualified individuals should adjust them.



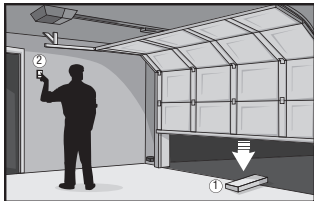
Visually check the door and installation:

- Starting with the door in the closed position, use the manual disconnect on the opener to disconnect the door.
- Look for signs of wear or damage on hinges, rollers, springs, and door panels.
- These parts may require periodic lubrication. Check the owner's manual for suggested maintenance.
- If any signs of damage are evident, contact a trained door systems technician for assistance.
- Verify the photoeye height is no higher than 6" from the garage floor.



Test the door for proper operation:

- Open and close the door manually using handles or suitable gripping points.
- The door should move freely and without difficulty.
- **The door should balance and stay partially open 3–4 feet above the floor.**
- If you detect any signs of improper operation, contact a trained door systems technician for assistance.



Test the opener safety features:

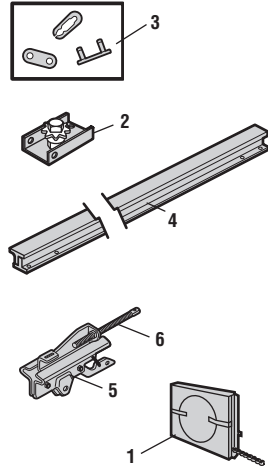
- Reconnect the opener to the door using the manual disconnect and open the door.
- Place a 2x4 board flat in the path of the door (1) and try to close it (2). The door should stop when it comes in contact with the 2x4 and then reverse direction.
- Block the photoelectric sensor by waving an object in front of the sensor and attempt to close the door. The door should not close unless the wall-mounted push button is manually held during operation.
- If the opener does not perform as described, contact a trained door systems technician for assistance.



Repair Parts

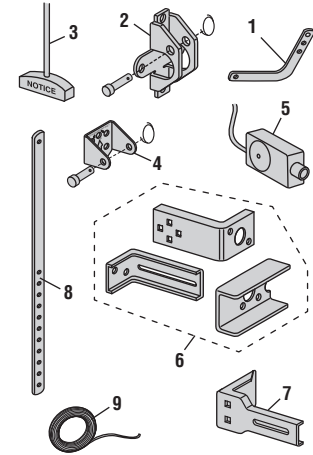
Rail Assembly Parts

Description	Part Number
1 Chain - for 8 foot door	041D3483
Chain - for 10 foot door	041D3485
Chain - for 12 foot door	19-5812
Chain - for 14 foot door	19-5814
2 Chain Pulley Bracket	041A2780
3 Master Link	19-48ML
4 8 feet (2.4 m) Rail	CD1008
10 feet (3 m) Rail	CD1010
12 feet (3.6 m) Rail	CD1012
14 feet (4.2 m) Rail	CD1014
5 Trolley Assembly	041A3489
6 Trolley Threaded Shaft	K109B0018
Not Shown	
Rail Grease	K083A0011-1



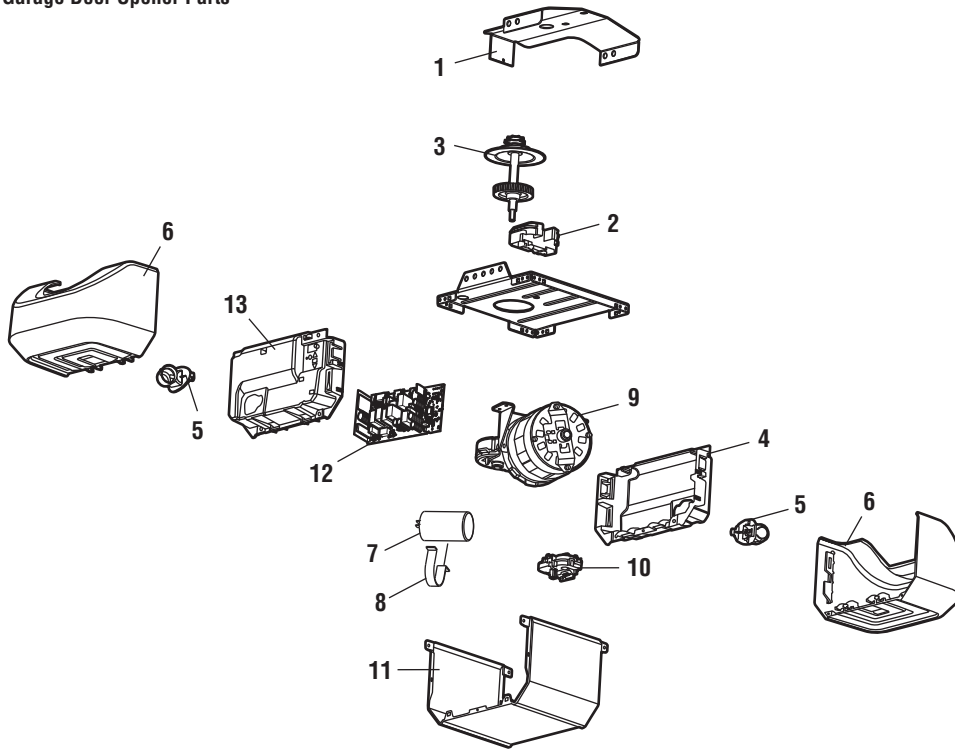
Installation Parts

Description	Part Number
1 Curved Door Arm	041B0035B
2 Door Bracket with Clevis Pin and Fastener	041A5047
3 Emergency Release Rope and Handle	041A2828
4 Header Bracket with Clevis Pin and Fastener	041A4353
5 Safety Sensor Kit with receiving and sending sensors with 3 feet (.9 m) 2-conductor wire	041A4373ATS
6 Safety Sensor Bracket	041A6569
7 Extension Brackets	041A5281-1
8 Straight Door Arm	04178B0034B
9 White and Red/White Wire	041B4494-1
Not Shown	
Installation Manual	114A5255
Hardware Kit	041A2770-17



Repair Parts

Garage Door Opener Parts



Description	Part Number	
1	Chassis support bracket	041C5069
2	Chain spreader	041A5615
3	Gear and sprocket	041A5585
4	End panel	041A7756-1
5	Light socket	041C0279
6	Light lens	041A7562
7	Capacitor	030B0532-1
8	Capacitor bracket	012A0373
9	Motor with travel module	041-0031
10	Travel module	041D7742-7
11	Cover	041-0014
12	Receiver logic board	050ACTWFATS
13	Logic end panel	041D8198
Not Shown		
	Wire harness	041A7814
	Line cord	041B4245-1
	Terminal block	041A3150

Contact Information

Visit us online at:
LiftMaster.com

or

myLiftMaster.com

Or for installation and service information call:

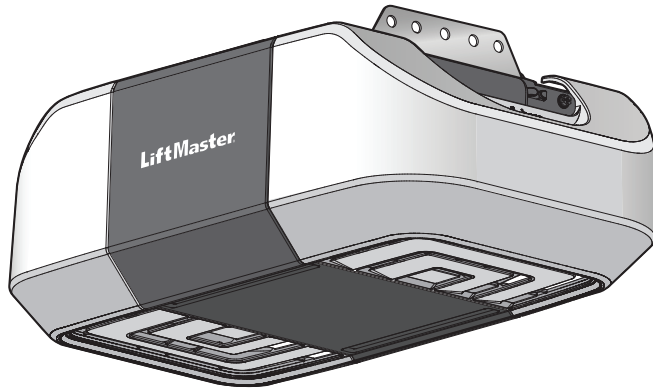
1-800-528-9131

*Before calling, please have the model number of the garage door opener. If you are calling about a troubleshooting issue, it is recommended that you have access to your garage door opener while calling. If you are ordering a repair part please have the following information:
 part number, part name, and model number.*

Wi-Fi® is a registered trademark of Wi-Fi Alliance.

© 2018, LiftMaster
 All Rights Reserved

LiftMaster®



Actionneur à chariot commercial à service léger/résidentiel

Modèle ATSW

- Prière de lire attentivement ce manuel ainsi que les consignes de sécurité!
- Fixer le manuel à proximité de la porte après l'installation.
- La porte NE se fermera PAS à moins que le Protector System® n'est pas connecté et correctement aligné.
- Des vérifications périodiques de l'actionneur de porte sont nécessaires pour garantir un fonctionnement sûr.

- L'étiquette du numéro de modèle est située sur le panneau gauche de l'actionneur.
- Cet actionneur de porte est compatible UNIQUEMENT avec les accessoires myQ® et Security+ 2.0® accessoires.
- NE PAS dépasser 8 cycles complets de fonctionnement de la porte par heure.

Enregistrer votre actionneur de porte pour recevoir des mises à jour et des offres de LiftMaster



- 1 **Prendre une photo** de l'icône d'appareil-photo en incluant les points (⊙).
- 2 **Faire parvenir la photo par texto** à 71403 (É.-U.) ou en allant à www.liftmaster.photo (mondial)

1 GARANTIE DE 1 AN

Aller sur <https://dealer.liftmaster.com/login> pour de l'information supplémentaire



LiftMaster
300 Windsor Drive
Oak Brook, IL 60523

Table des matières

Préparation	3
Montage	7
Installation	9
Installation de la commande de porte	17
Installation du Protector System®	19
Alimentation électrique.	23
Réglage	25
Fonctionnement.	28
Entretien.	33
Dépannage	34
Accessoires.	36
Pièces de réparation	37

Préparation

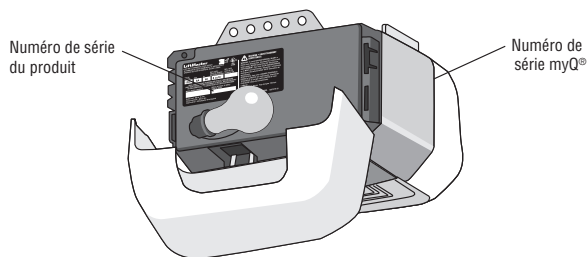
Numéro de série myQ®

Noter les renseignements suivants pour référence ultérieure :

Numéro de série myQ® :

Numéro de série du produit :

Date d'achat :



Examen des symboles de sécurité et des mots de signalement

Cet actionneur de porte a été conçu et mis à l'essai dans le but d'offrir un service sûr à condition qu'il soit installé, utilisé, entretenu et mis à l'essai en stricte conformité avec les instructions et les avertissements contenus dans le présent manuel.

Les symboles de sécurité et les mots de signalement qui figurent sur les pages suivantes vous avertissent de la possibilité de **blessures graves ou mortelles** en cas de non-conformité aux avertissements qui les accompagnent. Le danger peut être de source mécanique ou provenir d'une décharge électrique. Lisez attentivement les avertissements.

! AVERTISSEMENT

Mécanique

! AVERTISSEMENT

Électrique

Lorsque ce mot-indicateur figure sur les pages suivantes, il vous alerte de la possibilité de dommages à la barrière et/ou à l'actionneur de porte si les mises en garde qui l'accompagnent ne sont pas observées. Prière de les lire attentivement.

! ATTENTION



AVERTISSEMENT : Ce produit peut vous exposer à des produits chimiques, y compris du plomb, reconnus par l'État de la Californie comme étant cancérigènes ou pouvant causer des anomalies congénitales ou d'autres préjudices à l'appareil reproducteur. Pour plus d'information, aller à www.P65Warnings.ca.gov

Fonctionnement non surveillé

La fonction de minuterie de fermeture (TTC), l'application de commande myQ® pour téléphone intelligent et le moniteur de porte de garage et de barrière myQ sont des exemples de fermeture non surveillée et doivent être utilisés UNIQUEMENT sur des portes articulées. Tout dispositif ou toute fonction qui permet la fermeture de la porte sans visibilité directe de celle-ci constitue une fermeture non surveillée. La fonction de minuterie de fermeture (TTC), la commande myQ pour téléphone intelligent et tous les autres dispositifs myQ doivent être utilisés UNIQUEMENT sur des portes articulées.

Préparation

Avant de vous connecter à votre téléphone intelligent

Surveillez et commandez votre porte de n'importe où avec l'appli myQ.

Il vous faudra :

- Un téléphone intelligent, tablette ou ordinateur portatif activés par Wi-Fi
- Une connexion internet à bande large
- Un puissant signal Wi-Fi dans le garage (**2,4 GHz, 802.11b/g/n exigés**)
- Le mot de passe du réseau de votre domicile (compte principal du routeur, pas le réseau d'invité)

Tester la puissance du signal Wi-Fi®

Vérifier que votre appareil mobile est connecté au réseau de votre domicile. Tenir votre appareil à l'endroit où l'actionneur de porte sera installé et vérifier la puissance du signal Wi-Fi.



Vérifier la puissance du signal. Si l'on voit :



Le signal Wi-Fi est puissant.

L'actionneur de porte se connectera à votre réseau Wi-Fi.



Le signal Wi-Fi est faible.

L'actionneur de porte pourrait se connecter à votre réseau Wi-Fi. Sinon, essayer l'une des options ci-dessous pour améliorer le signal Wi-Fi :



Aucun signal Wi-Fi.

L'actionneur de porte ne se connecte pas à votre réseau Wi-Fi. Essayez l'une des options ci-dessous pour améliorer le signal Wi-Fi :

- Déplacer le routeur plus près de l'actionneur de porte pour minimiser le brouillage causé par les murs et d'autres objets.
- Acheter un extenseur de portée Wi-Fi

Pour prendre connaissance des caractéristiques de routeur compatible et pour obtenir de l'aide, aller à support.chamberlaingroup.com.

Voir la page 30 pour connecter l'actionneur de porte à un appareil mobile.

Vérification de la porte

AVERTISSEMENT

Pour éviter des BLESSURES GRAVES, voire MORTELLES :

- Appeler TOUJOURS un technicien formé en systèmes de porte si la porte de garage force ou est déséquilibrée. Une porte déséquilibrée peut ne PAS remonter, au besoin.
- Ne JAMAIS tenter de desserrer, déplacer ou régler la porte ainsi que les ressorts, câbles, poulies, supports ou leurs ferrures de montage, lesquels sont TOUS sous une tension EXTRÊME.
- Désactiver TOUTES les serrures et retirer TOUTES les cordes raccordées à la porte AVANT d'installer et d'utiliser l'actionneur de porte afin d'éviter un emmêlement.
- NE PAS installer sur une porte rigide dans le cas de dispositifs ou fonctions permettant la fermeture non surveillée. Les dispositifs et fonctions non surveillés doivent être utilisés UNIQUEMENT avec des portes articulées.

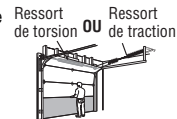
ATTENTION

Pour prévenir les dommages à la porte et à l'actionneur :

- Désactiver TOUJOURS les serrures AVANT d'installer et d'utiliser l'actionneur de porte.
- Faire fonctionner l'actionneur de porte UNIQUEMENT à une tension de 120 V, 60 Hz pour éviter un mauvais fonctionnement et des dommages.

Avant de commencer :

1. Désactiver les serrures et retirer toute corde raccordée à la porte.
2. Relever la porte à moitié. La relâcher. Si elle est équilibrée, elle devrait rester en place, entièrement supportée par ses ressorts.
3. Faire monter et descendre la porte pour vérifier qu'elle ne force pas. Si la porte force ou est déséquilibrée, appeler un technicien formé en systèmes de porte.
4. Vérifier le joint d'étanchéité situé sur la partie inférieure de la porte. Tout écart entre le sol et le bas de la porte ne doit pas dépasser 6 mm (1/4 po). Sinon le système d'inversion de sécurité pourrait mal fonctionner.
5. L'actionneur de porte doit être installé au-dessus du centre de la porte. Si un ressort de torsion ou une plaque d'appui centrale gêne le support de linteau, il peut être posé à moins de 1,2 m (4 pi) vers la gauche ou la droite de l'axe de la porte. Voir la page 16 10.

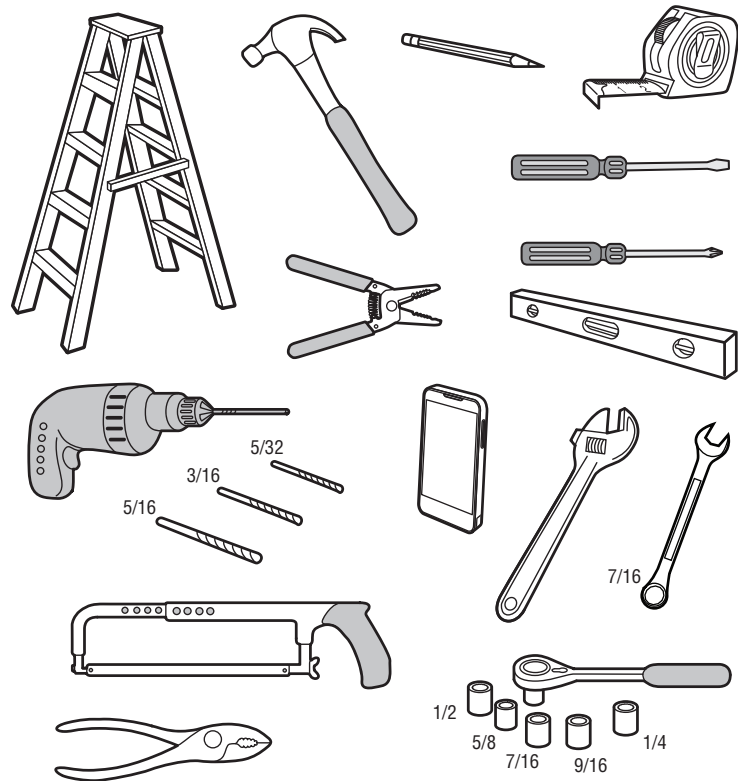


Préparation

Caractéristiques techniques

Volts	120 V c. a., 10 A
Courant	6A
Charge nominale	600 po/lb/s
Hauteur de porte maximale	4,27 m (14 pi)
Surface maximale de la porte	4,87 m de largeur x 4,27 m de hauteur (16 pi x 14 pi) (Ne dépassant pas 224 pi ²)

Outils nécessaires



Préparation

Inventaire de la boîte

Les accessoires varient en fonction du modèle d'actionneur de porte acheté. Selon le modèle, d'autres accessoires peuvent être inclus avec l'actionneur de porte. Les instructions pour ces accessoires seront attachées à ceux-ci et ne sont pas incluses dans ce manuel. **Les illustrations de ce manuel ne sont fournies qu'à titre de référence; votre produit peut avoir une apparence différente.**

- A. Support du linteau
- B. Support et poulie
- C. Support de porte
- D. Bielle courbée
- E. Bras porte rectiligne
- F. Chariot (fourni séparément de la boîte)
- G. Poignée et corde de déclenchement d'urgence
- H. Rail (fourni séparément de la boîte)
- I. Actionneur de porte
- J. Écarteur de chaîne
- K. Support de châssis
- L. Chaîne (fournie séparément de la boîte)
- M. Commande porte
- N. Fils blanc et rouge-blanc
- O. The Protector System®
Capteurs d'inversion de sécurité avec fil blanc et blanc/noir de cloche à deux conducteurs attachés : capteur émetteur (1), capteur récepteur (1), supports de capteur d'inversion de sécurité (4) et brides en C (2)
- P. Documentation et étiquettes de sécurité
- Q. Graisse sur le rail

Accessoires Security+ 2.0®

883LMW
Commande porte à bouton-poussoir



Quincaillerie de support de châssis

- Vis n° 8-32 x 3/8 po (2)
- Boulon hexagonal de 1/4 po -20 x 5/8 po (2)
- Rondelles-freins (2)
- Boulon à rondelle de 5/16 po-18 x 1/2 po (2)

Installation

- Boulon hexagonal 5/16 de po -18 x 7/8 de po (4)
- Tire-fond de 5/16 po-9 x 1 5/8 po (2)
- Tire-fond de 5/16 po-9 x 1 5/8 po (2)
- Axe de chape de 5/16 de po x 2-3/4 de po (1)
- Axe de chape de 5/16 de po x 1-1/4 de po (1)
- Axe de chape de 5/16 de po x 1 po (1)
- Écrou de 5/16 de po-18 (4)
- Rondelle-frein de 5/16 po (4)

Fixations de commande de la porte :

- Vis 6AB x 1 po (2)
- Vis 6-32 x 1 po (2)

Quincaillerie d'écarteur de chaîne

- Vis n° 8-32 x 3/8 po (2)

Quincaillerie de rail

Boulons à rondelle et rondelle-frein (montée au sommet de l'actionneur de porte de garage)

- Vis autotaraudeuse 1/4 de po-14 x 5/8 de po (2)

Anneau d'arrêt (3)

Boulon à tête bombée et à collet carré 1/4 de po-20 x 1/2 de po (2)

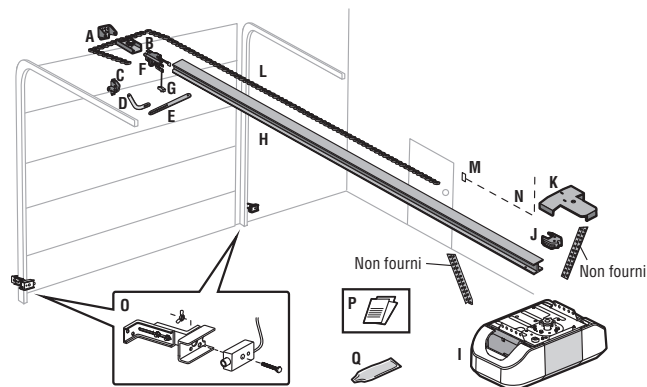
Écrou à oreilles de 1/4 po-20 (2)

Boulon hexagonal de 1/4 po -20 x 5/8 po (2)

Écrou à oreilles de 1/4 po-20 (2)

Tire-fond de 1/4 po-9 x 1 1/2 po (4)

Chevilles pour mur sec (2)



Assemblage

1 Fixer le rail à l'actionneur de porte

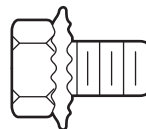
ATTENTION

Afin d'éviter d'endommager GRAVEMENT l'actionneur de porte, utiliser UNIQUEMENT les boulons et les fixations montés sur le dessus de l'actionneur de porte .

REMARQUE : Utiliser UNIQUEMENT les boulons enlevés de l'actionneur de porte . Placer l'actionneur de porte sur le matériel d'emballage pour éviter les rayures.

1. Retirer le boulon et le contre-écrou du haut de l'actionneur de porte .
2. Aligner le rail et la mousse polystyrène sur le pignon. Couper le ruban adhésif du rail, de la chaîne et de la mousse.
3. Fixer le rail avec le boulon et le contre-écrou retirés précédemment
4. Positionner la chaîne autour du pignon de l'actionneur de porte .
5. Fixer l'écarteur de chaîne à l'actionneur de porte avec des vis.
6. Guider la chaîne autour de l'écarteur de chaîne pour engager le pignon.

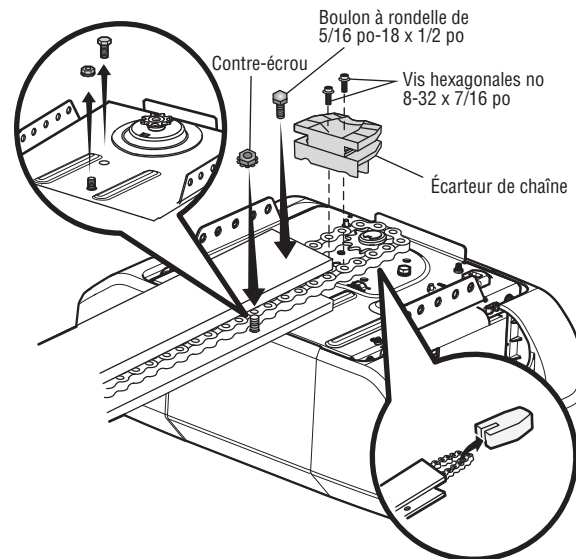
QUINCAILLERIE



Boulons à rondelle de
5/16 po-18 x 1/2 po
(Monté sur l'actionneur
de porte)



Contre-écrou
(Monté sur l'actionneur
de porte)



Assemblage

2 Fixation du support de châssis

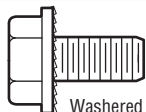
AVERTISSEMENT

Pour éviter d'éventuelles BLESSURES GRAVES aux doigts par suite du mouvement de l'actionneur de porte :

- Garder TOUJOURS la main à l'écart du pignon lorsque l'actionneur de porte fonctionne.
- Fixer solidement le carter du pignon AVANT de faire fonctionner l'ouvre-porte.

1. Placer le support de rail sur l'unité.
2. Fixer le support au rail avec des boulons hexagonaux de ¼ po-20 x 5/8 po et des rondelles-freins. **Ne PAS trop serrer.**
3. Fixer le support à l'actionneur de porte en insérant une vis de 5/16 po-18 x ½ po munie d'une rondelle par un orifice dans chaque bride latérale et un trou correspondant dans le support. Compléter le raccord en insérant la vis no 8-32 x 3/8 po dans la bride postérieure et le trou du support de rail.

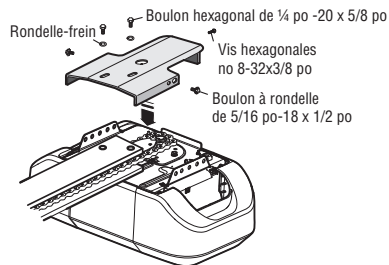
HARDWARE



Washed Bolt
5/16\"-18x1/2"



Screw
#8-32x3/8"

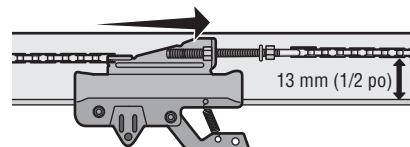


2 Tension de la chaîne

1. Enfiler l'écrou intérieur et la rondelle-frein sur l'arbre fileté du chariot.
2. Serrer l'écrou extérieur de façon à ce que la chaîne se trouve à 1,25 cm (1/2 po) au-dessus de la base du rail, à mi-chemin de ce dernier.
3. Resserrer l'écrou intérieur.

Un mou dans la chaîne est normal quand la porte est fermée. Aucun rajustement n'est nécessaire.

Le pignon peut faire du bruit si la chaîne est trop lâche. Pour toutes les mises au point ultérieures, tirer TOUJOURS la poignée de déclenchement d'urgence pour désengager le chariot avant de régler la chaîne.



IMPORTANTES INSTRUCTIONS CONCERNANT L'INSTALLATION

AVERTISSEMENT

Pour réduire le risque de BLESSURES GRAVES, voire MORTELLES :

1. LIRE ET OBSERVER TOUS LES AVERTISSEMENTS ET INSTRUCTIONS D'INSTALLATION.
2. Installer l'actionneur de porte **UNIQUEMENT** sur une porte bien équilibrée et graissée de manière appropriée.
Une porte mal équilibrée peut ne PAS inverser sa course quand il le faut et donc entraîner des BLESSURES GRAVES, voire MORTELLES.
3. TOUTES les réparations aux câbles, ensembles de ressort et autres ferrures de montage **DOIVENT** être confiées à un technicien formé en systèmes de porte **AVANT** d'installer l'actionneur de porte .
4. Désactiver TOUTES les serrures et retirer TOUTES les cordes raccordées à la porte **AVANT** d'installer l'actionneur afin d'éviter un emmêlement.
5. Dans la mesure du possible, installer l'actionneur de porte à au moins 2,13 m (7 pi) au-dessus du sol.
6. Monter le dispositif de déclenchement d'urgence à portée de la main, mais à au moins 1,83 m (6 pi) du sol et éviter tout contact avec des véhicules afin d'éviter tout déclenchement accidentel.
7. Ne JAMAIS raccorder l'actionneur à une source d'alimentation avant d'avoir reçu l'instruction de le faire.
8. Ne JAMAIS porter de montres, bagues ou vêtements amples durant l'installation ou l'entretien de l'actionneur. Ils pourraient être happés par la porte ou les mécanismes de l'actionneur de porte.
9. Installer la commande de porte de garage murale:
 - bien en vue de la porte.
 - hors de portée des jeunes enfants à une hauteur d'au moins 1,5 m (5 pi) du sol, des paliers, des marches ou de toute autre surface adjacente sur laquelle on marche;
 - à l'écart de TOUTES les pièces mobiles de la porte.
10. Apposer l'étiquette d'avertissement de piégeage sur le mur à côté de la commande de porte.
11. Apposer l'étiquette d'essai d'inversion de sécurité/d'ouverture d'urgence bien en vue sur le côté intérieur de la porte de garage.
12. Au terme de l'installation, faire l'essai du système d'inversion de sécurité. La porte **DOIT** remonter au contact d'un objet d'une hauteur de 3,8 cm (1-1/2 de po) (ou un 2 x 4 posé à plat) sur le sol.
13. Pour éviter des BLESSURES GRAVES ou MORTELLES par électrocution, débrancher TOUTE alimentation électrique et la batterie **AVANT** TOUTE intervention ou tout entretien.
14. **NE PAS** installer sur une porte rigide dans le cas de dispositifs ou fonctions permettant la fermeture non surveillée. Les dispositifs et fonctions non surveillés doivent être utilisés **UNIQUEMENT** avec des portes articulées.

Installation

1 Déterminer l'emplacement du support de linteau

AVERTISSEMENT

Pour éviter des BLESSURES GRAVES, voire MORTELLES :

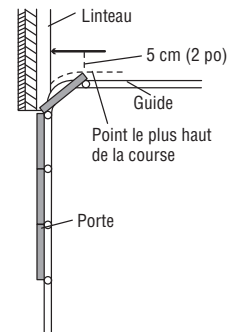
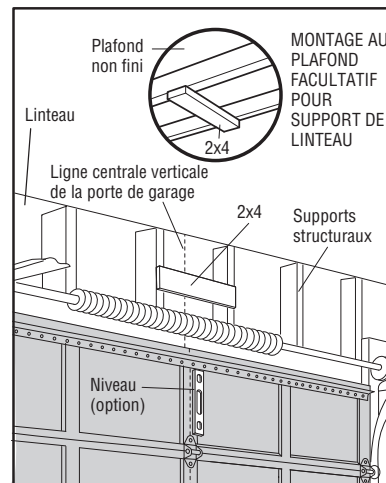
- Le support de linteau DOIT être fixé DE MANIÈRE RIGIDE à la solive sur le linteau ou le plafond, sinon la porte pourrait ne PAS remonter, au besoin. NE PAS installer le support de linteau sur une cloison sèche.
- Des ancrages en béton DOIVENT ÊTRE UTILISÉS en cas de montage sur un support de linteau ou sur un 2 x 4 dans la maçonnerie.
- Ne JAMAIS tenter de desserrer, déplacer ou régler la porte, les ressorts, les câbles, les poulies, les supports de porte ou leurs ferrures de montage, lesquels sont TOUS sous une tension EXTRÊME.
- Appeler TOUJOURS un technicien formé en systèmes de porte si la porte de garage force ou est déséquilibrée. Une porte de garage déséquilibrée peut ne pas remonter, au besoin.
- NE PAS activer la minuterie de fermeture sur des portes rigides ou pivotantes. Elle doit être activée UNIQUEMENT sur une porte articulée.

Fermer la porte et marquer l'axe vertical intérieur de la porte du garage.

Prolonger cet axe sur le linteau, au-dessus de la porte. Le support du linteau peut être fixé à moins de 1,22 m (4 pi) à droite ou à gauche de l'axe de la porte uniquement si un ressort de torsion ou une plaque d'appui centrale gêne; sinon, il peut être fixé au plafond si le dégagement n'est pas suffisant. (Il peut être monté à l'envers sur un mur, au besoin, pour gagner environ 1/2 po (1 cm). Si le support de linteau doit être posé sur un 2 x 4 (au mur ou au plafond), utiliser des tire-fond (non fournis) pour s'assurer que le 2 x 4 est bien retenu aux solives.

Ouvrir la porte jusqu'à son point de course le plus haut, comme illustré. Tracer une ligne horizontale d'intersection sur le linteau à 5 cm (2 po) au-dessus du point le plus haut : Cette hauteur permettra d'obtenir un dégagement suffisant pour le passage de la partie supérieure de la porte.

REMARQUE : Si le nombre total de centimètres dépasse la hauteur disponible dans le garage, utiliser la hauteur maximale possible ou se reporter à la page 11 pour l'installation au plafond.



Porte articulée avec guide courbé

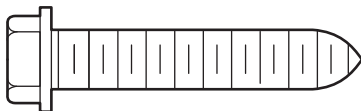
Installation

2 Pose du support de linteau

Le support de linteau peut être fixé au mur, au-dessus de la porte, ou au plafond. Suivre les instructions qui répondent le mieux aux besoins particuliers. **Ne pas installer le support de linteau sur des cloisons sèches. Utiliser des ancrages de béton (non fournis) pour l'installation dans la maçonnerie.**

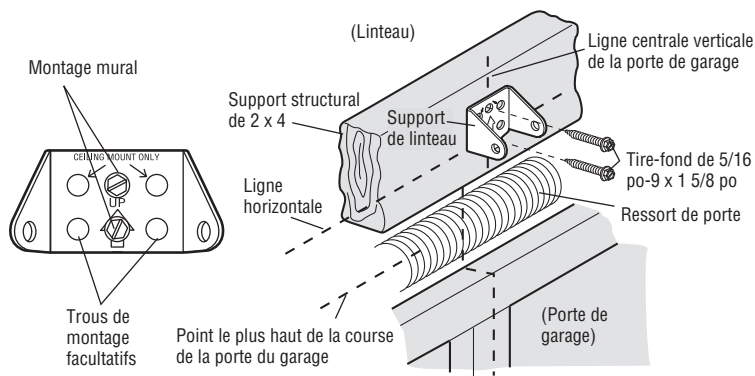
QUINCAILLERIE

Tire-fond de 5/16
de po-9 x 1-5/8 de po



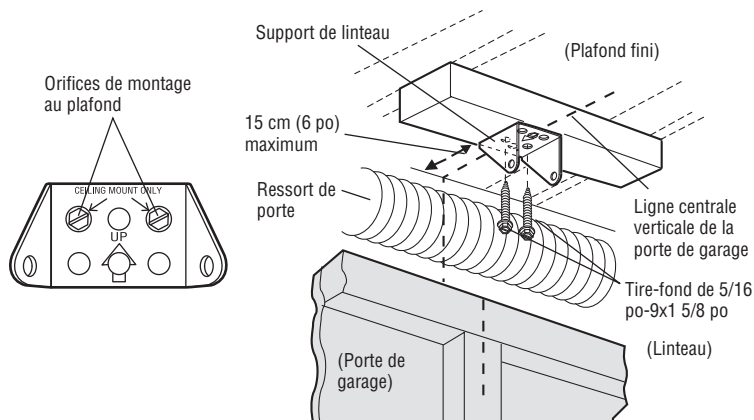
OPTION A - INSTALLATION AU MUR

1. Centrer le support sur l'axe vertical, la partie inférieure du support étant alignée sur la ligne horizontale, comme illustré (la flèche du support doit être orientée vers le plafond).
2. Marquer la série verticale de trous de support (ne pas utiliser les trous destinés au montage au plafond). Percer des trous guides de 4,7 mm (3/16 po) et fixer fermement le support sur une solive avec des tire-fonds.



OPTION B - INSTALLATION AU PLAFOND

1. Prolonger l'axe vertical sur le plafond, comme illustré.
2. Centrer le support sur l'axe vertical à 15 cm (6 po) au maximum du mur. S'assurer que la flèche est orientée vers le mur. Le support peut être encastré dans le plafond si le dégagement n'est pas suffisant.
3. Marquer les trous latéraux. Percer des trous guides de 4,7 mm (3/16 po) et fixer fermement le support sur une solive du plafond avec la quincaillerie fournie.



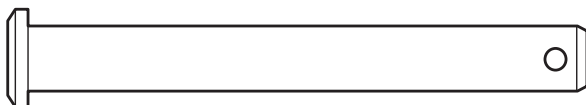
Installation

3 Fixation du rail sur le support de linteau

1. Aligner le rail sur le support de linteau. Insérer l'axe de chape dans les trous du support de linteau et du rail. Fixer avec l'anneau d'arrêt.

REMARQUE : Utiliser l'une des boîtes d'emballage pour protéger l'actionneur de porte.

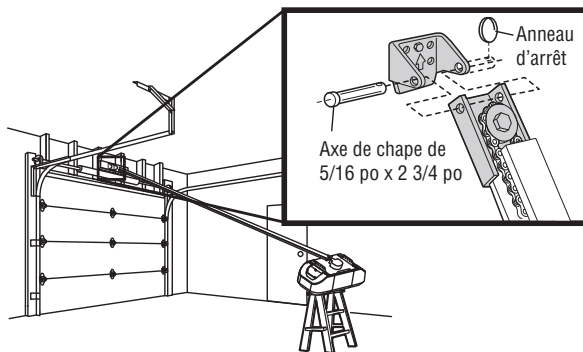
QUINCAILLERIE



Axe de chape de 5/16 po x 2 3/4 po



Anneau d'arrêt



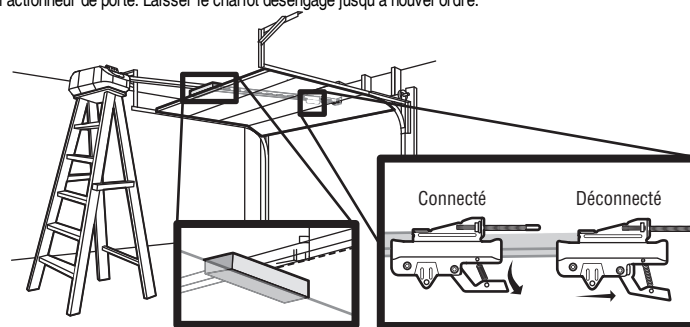
Étape 4 Positionner l'actionneur

! ATTENTION

Pour éviter des dommages à la porte, faire reposer le rail de l'actionneur de porte sur un 2 x 4 placé sur la section supérieure de la porte.

1. Soulever l'actionneur de porte sur une échelle.
2. Ouvrir complètement la porte et placer un 2 x 4 (à plat) sous le rail.

Une planche de 2 x 4 est idéale pour régler la distance entre le rail et la porte. Si l'échelle n'est pas assez haute, une assistance sera nécessaire à ce stade. Si la porte frotte contre le chariot quand elle s'ouvre, tirer le bras de dégagement du chariot vers le bas pour désengager le chariot intérieur et extérieur. Faire glisser le chariot extérieur vers l'actionneur de porte. Laisser le chariot désengagé jusqu'à nouvel ordre.



Installation

5 Accrocher l'actionneur de porte

AVERTISSEMENT

Pour éviter d'éventuelles BLESSURES GRAVES par suite de la chute d'un actionneur de porte, fixer l'actionneur de porte **SOLIDEMENT** aux solives du garage. Des ancrages en béton **DOIVENT** être utilisés lors de l'installation des supports dans la maçonnerie.

L'accrochage de l'actionneur de porte dépendra de votre immeuble. Les illustrations représentent deux installations types. Votre installation peut être différente. Les supports d'accrochage doivent être inclinés (Figure 1) pour assurer un support rigide. Dans le cas d'un plafond fini (figure 2), fixer un support solide en métal aux solives du plafond avant de poser l'actionneur de porte. Le support et les fixations ne sont pas fournis.

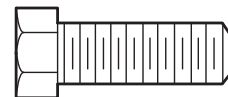
1. Mesurer, de chaque côté la distance entre le moteur et la solive.
2. Couper les deux supports de suspension à la longueur requise.
3. Percer des avant-trous de 3/16 de pouce dans les solives.
4. Fixer une extrémité de chaque support à une solive avec des tire-fond de 5/16 po - 18 x 1 7/8 po (non fournis).
5. Fixer l'actionneur de porte aux supports d'accrochage avec des boulons hexagonaux de 5/16 po-18 x 7/8 po, des rondelles-freins et des écrous.
6. S'assurer que le rail est centré au-dessus de la porte (ou dans le prolongement du support de linteau si le support n'est pas centré au-dessus de la porte).
7. Retirer le 2 x 4. Faire fonctionner la porte manuellement. Si la porte heurte le rail, lever le support de linteau.

REMARQUE : NE PAS remettre l'alimentation à l'actionneur de porte à ce stade.

QUINCAILLERIE



Rondelle-frein de 5/16 po



Boulon hexagonal de 5/16 po-18x7/8 po



Écrou de 5/16 po-18

FIGURE 1

Plafond non fini

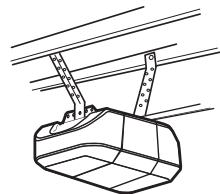


FIGURE 2

Plafond fini

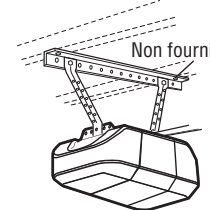
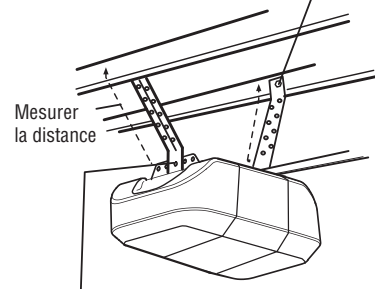


FIGURE 3

(Non fourni)
Tire-fonds de 5/16 po-18x1 7/8 po



Boulon hexagonal de 5/16 po-18 x 7/8 po, rondelle-frein de 5/16 po, écrou de 5/16 po-18

Installation

6 Installation des ampoules

⚠ ATTENTION

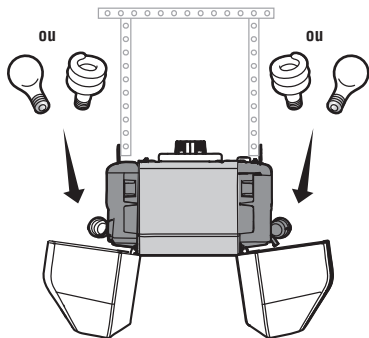
Pour éviter toute SURCHAUFFE éventuelle du panneau d'extrémité ou de la douille d'ampoule :

- Utiliser UNIQUEMENT une ampoule à incandescence de type A19 (100 W maximum) ou une ampoule fluorescente compacte (26 W maximum).
- NE PAS utiliser des ampoules à incandescence de plus de 100 W.
- NE PAS utiliser des ampoules fluorescentes compactes de plus de 26 W (100 W).
- NE PAS utiliser d'ampoules halogènes.
- NE PAS utiliser d'ampoules à col court ou de forme spéciale.

1. Tirer sur la partie supérieure centrale du diffuseur et tourner ce dernier vers le bas.
2. Insérer une ampoule à incandescence A19 (100 W maximum) ou une ampoule fluorescente compacte (26 W, 100 W maximum) dans la douille.

REMARQUE : L'utilisation d'ampoules halogènes, à col court ou d'ampoules spécialisées peut causer une surchauffe du panneau d'extrémité ou de la douille. NE PAS utiliser d'ampoules à voyants LED, car elles peuvent réduire la portée ou les performances de vos télécommandes.

3. Faire tourner le diffuseur vers le haut pour le remettre en place.



7 Fixation de la corde et de la poignée de déclenchement d'urgence

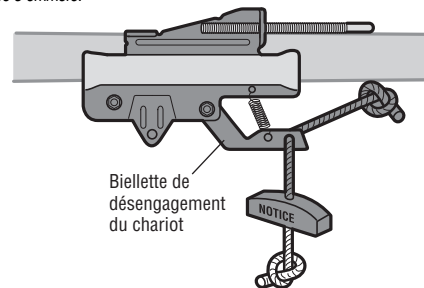
⚠ AVERTISSEMENT

Pour prévenir d'éventuelles BLESSURES GRAVES ou MORTELLES par suite de la chute d'une porte de garage :

- Si possible, utiliser la poignée de déclenchement d'urgence pour désengager le chariot UNIQUEMENT lorsque la porte de garage est FERMÉE. Des ressorts faibles ou brisés ou une porte déséquilibrée peuvent provoquer la chute rapide ou imprévue d'une porte ouverte.
- Ne JAMAIS utiliser la poignée de déclenchement d'urgence à moins que rien ni personne n'obstrue la trajectoire de la porte.
- Ne JAMAIS utiliser la poignée pour ouvrir ou fermer la porte. Il y a risque de chute si le nœud de la corde se défait.

1. Insérer une extrémité de la corde de déclenchement d'urgence par la poignée. S'assurer que l'inscription « NOTICE » (avis) est à l'endroit. Fixer à l'aide d'un nœud simple à au moins 2,5 cm (1 po) de l'extrémité de la corde, pour empêcher le glissement.
2. Passer l'autre extrémité de la corde de déclenchement d'urgence par le trou de levier de désengagement du chariot. Monter le dispositif de déclenchement d'urgence à portée de la main, mais à au moins 1,83 m (6 pi) du sol et éviter tout contact avec des véhicules afin d'éviter tout déclenchement accidentel. Fixer la corde par un nœud simple.

REMARQUE : Si la corde doit être coupée, brûler légèrement l'extrémité coupée avec une allumette ou un briquet pour empêcher qu'elle s'effiloche. S'assurer que la corde et la poignée ne risquent pas de toucher au capot d'un véhicule pour éviter qu'elle s'em mêle.



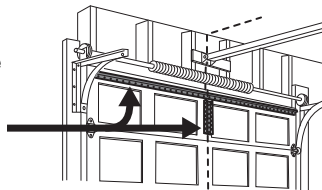
Installation

8 Installation du support de porte

⚠ ATTENTION

Les portes en fibre de verre, en aluminium ou en acier léger **DOIVENT** être renforcées AVANT d'installer le support de porte. Contacter le fabricant de la porte de garage ou l'installateur pour les instructions relatives aux renforts ou obtenir une trousse de renforts. Le manquement à renforcer la section supérieure, tel qu'exigé par le fabricant de la porte, peut annuler la garantie de la porte.

Un renfort horizontal et vertical est nécessaire pour les portes de garage légères (en fibre de verre, aluminium, acier, portes avec panneau de verre, etc.) (non fourni). Un renfort horizontal doit être suffisamment long pour être fixé à deux ou trois supports verticaux. Un renfort vertical doit couvrir la hauteur du panneau supérieur. Contacter le fabricant de la porte de garage ou l'installateur pour les instructions relatives aux renforts ou obtenir une trousse de renforts.



REMARQUE : Bon nombre de trusses de renforts de porte prévoient la fixation directe de l'axe de chape et de la bielle. Dans ce cas, le support de porte ne sera pas nécessaire; passer à l'étape suivante.

PORTES ARTICULÉES

1. Centrer le support de porte sur la ligne verticale centrale qui a été marquée précédemment pour l'installation du support de linteau. Il convient de noter le positionnement correct, comme estampillé à l'intérieur du support plat.
2. Positionner le bord supérieur du support de 5 cm à 10 cm (2 à 4 po) plus bas que le bord supérieur de la porte, OU directement sous toute solive en travers du haut de la porte.
3. Marquer, percer des trous et installer comme indiqué ci-après, selon la construction de votre porte.

Portes métalliques ou légères utilisant une ferrure angulaire verticale entre le support du panneau de porte et le support de porte :

- Percer des trous de fixation de 4,7 mm (3/16 po). Fixer le support de porte avec les vis autotaraudeuses. (Figure 1)
- On peut également utiliser deux boulons de 5/16 po-18x2 po, des rondelles-freins et des écrous (non fournis). (Figure 2)

Portes métalliques, isolées ou légères renforcées à l'usine :

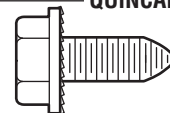
- Percer des trous de fixation de 4,7 mm (3/16 po). Fixer le support de porte avec les vis autotaraudeuses. (Figure 3)

Portes en bois :

- Utiliser les trous supérieurs et inférieurs ou latéraux de support de porte. Percer des trous de 7,9 mm (5/16 po) à travers la porte et fixer le support avec des boulons à tête bombée et à collet carré de 5/16 po-18 x 2 po, des rondelles-freins et des écrous (non fournis). (Figure 4)

REMARQUE : Les vis autotaraudeuses de 1/4 po-14 x 5/8 po ne sont pas destinées à être utilisées sur des portes en bois.

QUINCAILLERIE



Vis autotaraudeuse 1/4 de po-14x5/8 de po

FIGURE 1

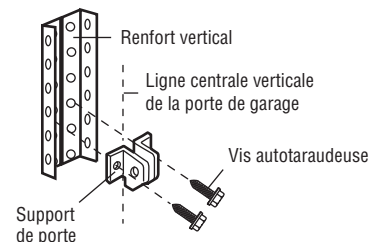


FIGURE 2

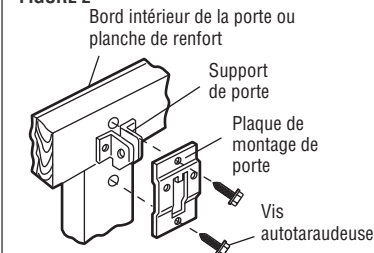


FIGURE 3

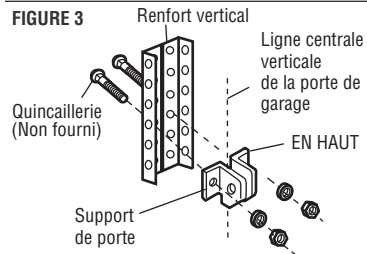
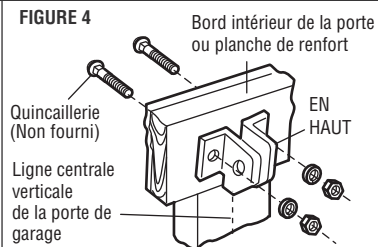


FIGURE 4



Installation

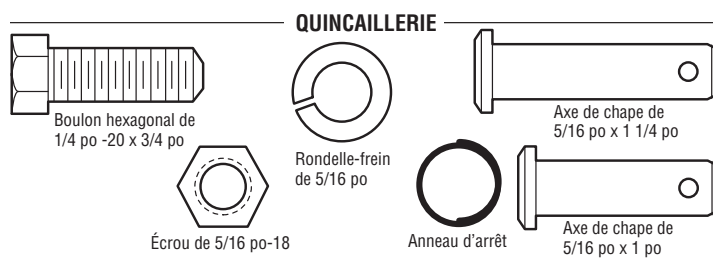
9 Fixation de la biellette de la porte au chariot

IMPORTANT : La rainure de la biellette droite **DOIT pointer loin de la biellette courbée.**

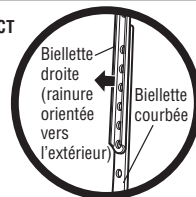
1. Fermer la porte. Débrancher le chariot en tirant la poignée de déclenchement d'urgence. Faire reculer le chariot extérieur (en l'éloignant de la porte) d'environ 5 cm (2 po).
2. Fixer la biellette droite sur le chariot extérieur avec l'axe de chape. Fixer avec un anneau d'arrêt.
3. Fixer la biellette courbée sur le support de porte avec l'axe de chape. Fixer avec un anneau d'arrêt.
4. Aligner la biellette droite sur la biellette courbée. Sélectionner deux trous alignés (aussi loin que possible) et fixer avec les boulons, les écrous et les rondelles.

REMARQUE : Si les trous ne s'alignent pas, inverser la biellette droite. Sélectionner deux trous alignés (aussi loin que possible) et fixer avec les boulons, les écrous et les rondelles.

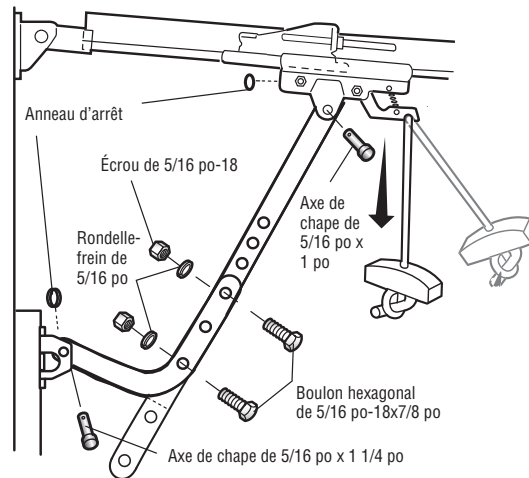
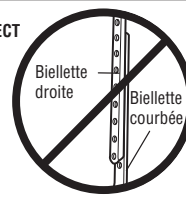
5. Tirer la poignée de déclenchement d'urgence vers l'actionneur de porte de façon à ce que la biellette de dégagement du chariot soit à l'horizontale. Le chariot se réengage automatiquement lorsque l'actionneur de porte est activé.



CORRECT



INCORRECT



Installation de la commande de porte

1 Installation de la commande de porte

AVERTISSEMENT

Pour prévenir d'éventuelles BLESSURES GRAVES, voire MORTELLES suite à une électrocution :

- S'assurer que l'alimentation est coupée AVANT d'installer la commande de la porte.
- Raccorder UNIQUEMENT à des fils basse tension de 12 V.

Pour prévenir d'éventuelles BLESSURES GRAVES ou MORTELLES par suite d'une porte qui se ferme :

- Installer la commande de porte bien en vue de la porte, hors de portée des jeunes enfants à une hauteur d'au moins 1,5 m (5 pi) du sol, des paliers, des marches ou de toute autre surface adjacente sur laquelle on marche, et à l'écart de TOUTES les pièces mobiles de la porte.
- Ne JAMAIS laisser des enfants faire fonctionner les boutons-poussoir de la commande de porte ou les émetteurs de la télécommande, ni jouer avec ceux-ci.
- Actionner la porte UNIQUEMENT lorsqu'on la voit clairement, qu'elle est bien réglée et que rien ne gêne sa course.
- Garder TOUJOURS la porte de garage bien en vue jusqu'à sa fermeture complète. Ne JAMAIS laisser personne croiser la trajectoire d'une porte qui se ferme.

INTRODUCTION

Compatible avec les accessoires myQ® et Security+ 2.0®. Voir la page 36. Votre ouvre-porte de garage est compatible avec 2 Smart Control Panels ou 4 commandes de porte Security+ 2.0®. **REMARQUE** : Les anciennes commandes de porte LiftMaster et les produits de tiers ne sont pas compatibles.

Installer la commande de porte bien en vue de la porte, hors de portée des jeunes enfants à une hauteur d'au moins 1,5 m (5 pi) du sol, des paliers, des marches ou de toute autre surface adjacente sur laquelle on marche, et à l'écart de TOUTES les pièces mobiles de la porte. Pour les installations de boîte simple, il n'est pas nécessaire de percer des trous ou d'installer des ancrages pour cloisons sèches. Utiliser les trous existants de la boîte simple.

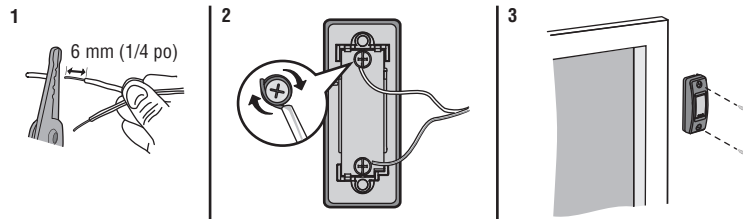
REMARQUE : L'apparence de votre produit peut différer des produits illustrés ici.

QUINCAILLERIE



Vis 6ABx1 po (2)

1. Dénuder 6 mm (1/4 de po) d'isolation à l'extrémité du fil, puis séparer les fils.
2. Connecter un fil à chacune des deux vis situées au dos de la commande de porte. Les fils peuvent être connectés à l'une ou l'autre vis.
3. Monter la commande de la porte avec la quincaillerie fournie.

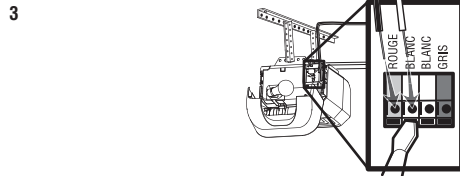
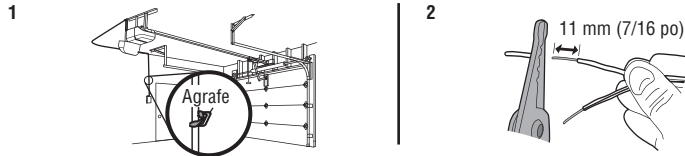


Installation de la commande de porte

2 Câbler la commande de porte à l'actionneur de porte

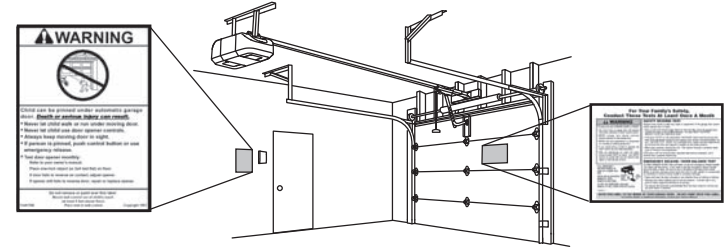
INSTALLATIONS PRÉCÂBLÉES : Lors du raccordement des fils de la commande de porte à l'actionneur, s'assurer d'utiliser les fils qui sont connectés à la commande de porte.

1. Acheminer les fils blanc et rouge/blanc de la commande de porte à l'actionneur de porte. Fixer le fil au mur et au plafond avec agrafe (cette directive ne s'applique pas à la boîte simple ou aux installations précâblées). Ne pas percer le fil avec une agrafe, car cela créerait un court-circuit ou un circuit ouvert.
2. Dénuder 11 mm (7/16 po) d'isolation à l'extrémité du fil, près de l'actionneur de porte.
3. Relier le fil aux bornes rouge et blanche de l'actionneur de porte. Pour insérer les fils ou les libérer de la borne, appuyer sur la languette avec la pointe du tournevis.



3 Fixation des étiquettes d'avertissement

1. Apposer l'étiquette d'avertissement sur le mur, près de la commande de porte, avec des punaises ou des agrafes.
2. Apposer l'étiquette concernant l'essai d'inversion de sécurité/ouverture manuelle bien en vue sur le côté intérieur de la porte.



Installation du Protector System®

Introduction

AVERTISSEMENT

S'assurer que l'actionneur de porte est hors tension AVANT d'installer le capteur d'inversion de sécurité.

Pour prévenir des BLESSURES GRAVES ou MORTELLES par suite d'une porte qui se ferme :

- Raccorder et aligner correctement le capteur d'inversion de sécurité. Ce dispositif de sécurité obligatoire NE DOIT PAS être désactivé.
- Installer le capteur d'inversion de sécurité de manière à ce que le faisceau NE SOIT PAS À UNE HAUTEUR de plus de 15 cm (6 po) au-dessus du sol.

RENSEIGNEMENTS IMPORTANTS AU SUJET DES CAPTEURS D'INVERSION DE SÉCURITÉ

Les capteurs d'inversion de sécurité doivent être connectés et alignés correctement avant que la porte se déplace en position de fermeture.

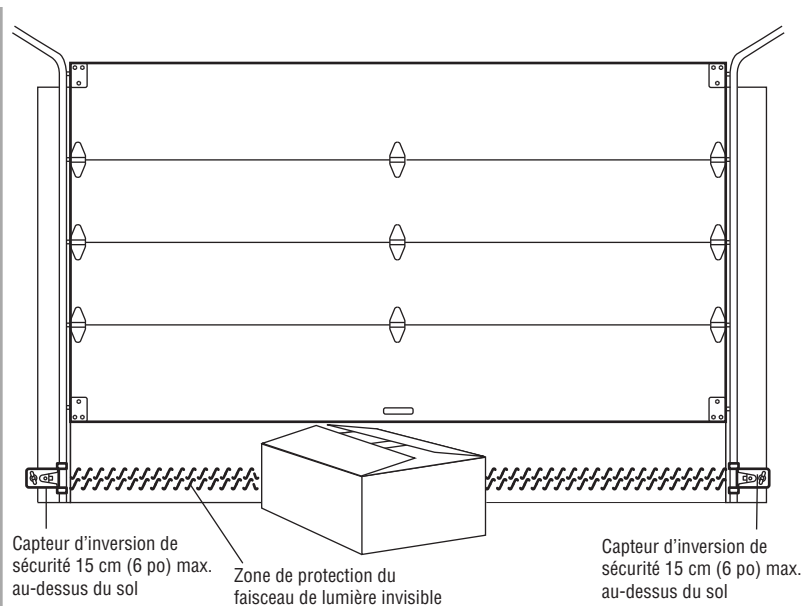
Le capteur de transmission (doté d'un voyant à LED ambre) transmet un faisceau de lumière invisible au capteur de réception (muni d'un voyant à LED vert). Si un obstacle brise le faisceau de lumière pendant que la porte se ferme, la porte s'arrêtera et remontera jusqu'à la position entièrement ouverte et l'éclairage de l'actionneur de porte clignotera 10 fois.

REMARQUE : Pour une efficacité énergétique, l'actionneur de porte se met en mode de veille lorsque la porte est complètement fermée. Le mode de veille ferme l'actionneur de porte jusqu'à ce qu'il soit activé. Le mode de veille est séquencé avec l'ampoule d'éclairage de l'actionneur de porte; lorsque l'ampoule s'éteint, les DEL du capteur s'éteignent et lorsque l'éclairage de l'actionneur de porte se rallume, les DEL du capteur se rallument à leur tour.

L'actionneur de porte ne se met en mode de veille que lorsqu'il a achevé cinq cycles après sa mise sous tension.

Lors de l'installation des capteurs d'inversion de sécurité, vérifier les points suivants :

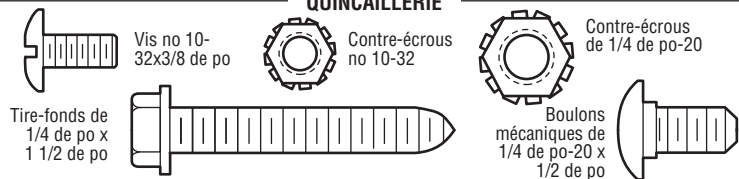
- Les capteurs sont installés à l'intérieur du garage, un de chaque côté de la porte.
- Les capteurs sont face à face avec les lentilles alignées et la lentille du capteur de réception ne reçoit pas de lumière directe du soleil.
- Les capteurs sont installés tout au plus à 15 cm (6 po) au-dessus du plancher et le faisceau lumineux est dégagé.



Installation du Protector System®

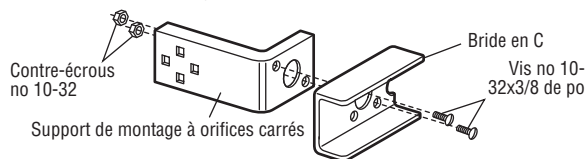
1 Assembler et monter les supports

QUINCAILLERIE



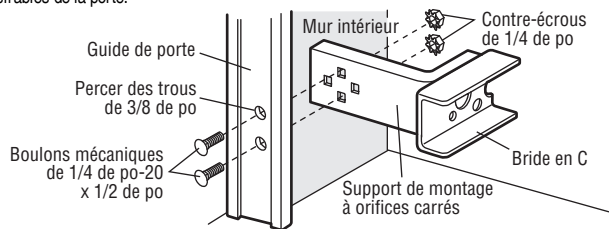
Les instructions suivantes présentent le montage recommandé des supports et des brides en C, en se basant sur l'installation murale des capteurs sécurité de part et d'autre de la porte ou sur les guides de porte eux-mêmes. Il existe d'autres méthodes de montage qui peuvent mieux s'adapter aux impératifs de votre installation. **S'assurer que les brides et les supports sont alignés de manière à ce que les capteurs sécurité se fassent face en travers de la porte. Monter les capteurs à une hauteur ne dépassant pas 15 cm (6 po) du sol et à une distance de 2,1 m à 9,1 m (7 à 30 pi) entre eux.**

Fixer les brides en C aux supports de montage dotés d'orifices carrés, en utilisant la quincaillerie montrée.



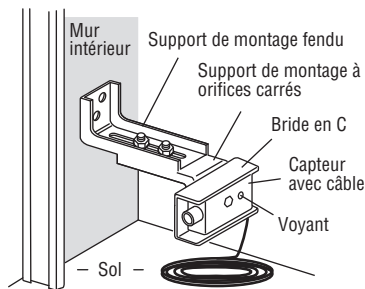
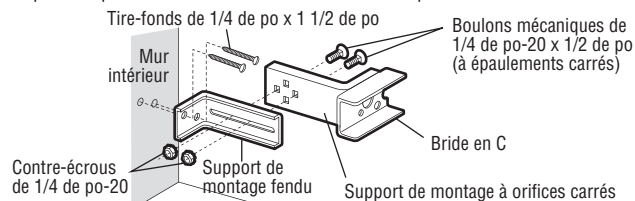
INSTALLATION DES GUIDES DE PORTE

Mettre au rebut le support fendu. Percer des trous de 9,5 mm (3/8 po) sur chaque guide et fixer solidement avec la quincaillerie fournie. Ne pas dépasser une hauteur de 15 cm (6 po) du sol. **REMARQUE :** S'assurer que le guide de la porte ne vibre pas lorsque la porte est en mouvement. Une vibration excessive peut causer des inversions de course indésirables de la porte.

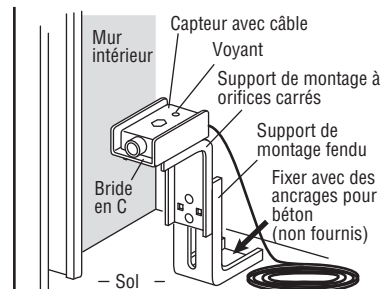


Installation murale

1. Connecter chaque ensemble à un support fendu, en utilisant la quincaillerie montrée. **Noter l'alignement des supports pour les côtés gauche et droit de la porte.**
2. Serrer les écrous à oreilles à la main
3. Utiliser les trous de montage de support comme gabarits pour positionner et percer deux avant-trous de 4,7 mm (3/16 po) de chaque côté de la porte, à une hauteur ne dépassant pas 10 cm (4 po) au-dessus du sol. Ne pas dépasser 15 cm (6 po).
4. Fixer les supports avec des tire-fond de 1/4 x 1 1/2 po.
5. Régler les supports du côté gauche et du côté droit à la même distance de la surface de montage. S'assurer que les ferrures de porte ne sont pas obstruées. Serrer fermement les écrous.
6. Centrer chaque capteur dans le support avec les lentilles se faisant face en travers de la porte.
7. Fixer les capteurs sur les supports avec la quincaillerie fournie. Serrer à la main l'écrou à oreilles du capteur émetteur. Serrer fermement l'écrou à oreilles du capteur récepteur.



Autre méthode d'installation au mur



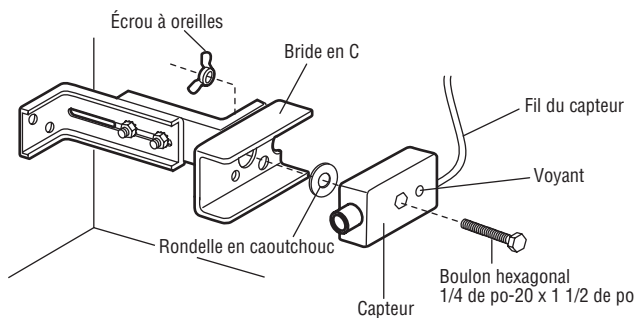
Autre méthode d'installation au sol

Installation du Protector System®

2 Monter les capteurs d'inversion de sécurité



1. Centrer chaque capteur dans le support avec les lentilles se faisant face en travers de la porte.
2. Fixer les capteurs sur les supports avec la quincaillerie fournie (comme montrée). Serrer à la main l'écrou à oreilles du capteur récepteur. Serrer fermement l'écrou à oreilles du capteur émetteur.

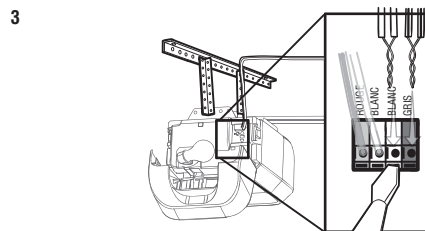
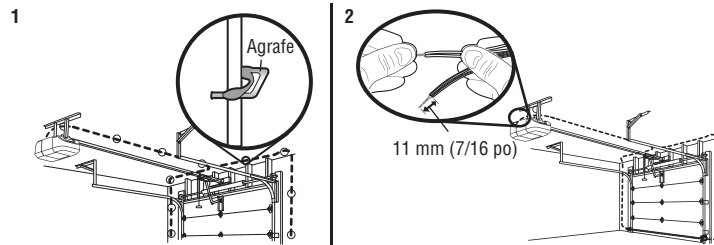


3 Câbler les capteurs d'inversion de sécurité

INSTALLATIONS PRÉCÂBLÉES : Si votre porte de garage est déjà câblée pour l'installation de capteurs d'inversion de sécurité, passer à la page 22.

OPTION A INSTALLATION SANS CÂBLES PRÉINSTALLÉS

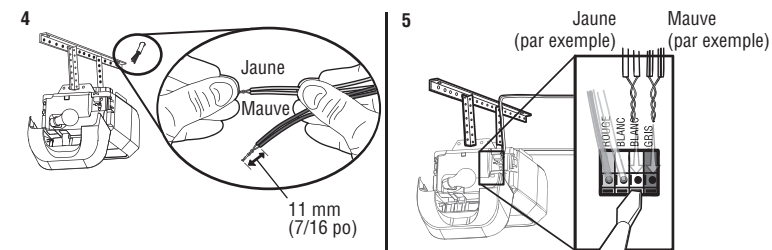
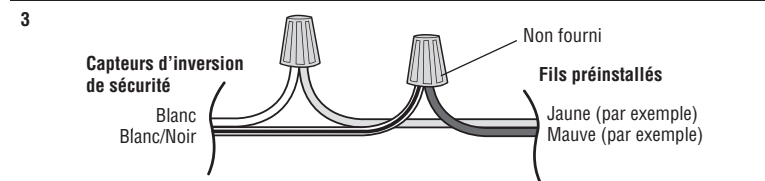
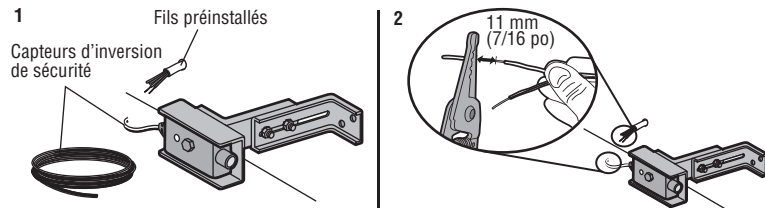
1. Acheminer le fil des deux capteurs à l'actionneur de porte. Fixer le fil au mur et au plafond avec les agrafes.
2. Dénuder 11 mm (7/16 po) d'isolation de chaque ensemble de fils. Séparer les fils. Torsader les fils blancs ensemble. Torsader les fils blanc/noir ensemble.
3. Insérer les fils blancs dans la borne blanche de l'actionneur de porte. Insérer les fils blanc/noir dans la borne grise de l'actionneur de porte. Pour insérer ou retirer les fils de la borne, appuyer sur la languette avec la pointe du tournevis.



Installation du Protector System®

OPTION B INSTALLATION PRÉCÂBLÉE

1. Couper l'extrémité du câble du capteur d'inversion de sécurité en s'assurant qu'il reste suffisamment de longueur pour atteindre les câbles préinstallés du mur.
2. Séparer les câbles du capteur d'inversion de sécurité et dénuder 11 mm (7/16 po) d'isolant de chaque extrémité. Choisir deux des fils préinstallés et dénuder 11 mm (7/16 po) d'isolant de chaque extrémité. S'assurer de choisir les fils préinstallés de même couleur pour chacun des capteurs. S'assurer que les couleurs correspondent sur chaque capteur. Par exemple, le fil blanc se raccorde au fil jaune et le fil blanc/noir se raccorde au fil violet.
3. Au niveau de l'actionneur de porte, dénuder 11 mm (7/16 po) d'isolation de chaque extrémité des fils choisis précédemment pour les capteurs d'inversion de sécurité. Torsader les fils de même couleur.
5. Insérer les fils reliés aux fils blancs des capteurs de sécurité à la borne blanche de l'actionneur de porte. Insérer les fils reliés aux fils blanc/noir des capteurs de sécurité à la borne grise de l'actionneur de porte.



Pour insérer ou retirer les fils de la borne, appuyer sur la languette avec la pointe du tournevis.

Alimentation

1 Raccordement de l'alimentation

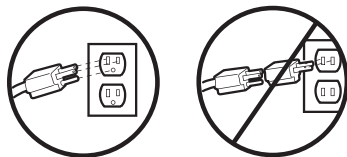
AVERTISSEMENT

Pour éviter toute BLESSURE potentielle GRAVE, voire MORTELLE, par électrocution ou brûlure :

- S'assurer que l'actionneur de porte est hors tension et couper l'alimentation du circuit AVANT de retirer le couvercle pour procéder à un branchement permanent.
- L'installation et le câblage de la porte DOIVENT être conformes à TOUS les codes électriques et de construction locaux.
- Ne JAMAIS utiliser un cordon de rallonge ou un adaptateur bifilaire ni modifier la fiche de QUELQUE manière que ce soit pour l'insérer dans la prise. S'assurer que l'actionneur de porte est mis à la terre.

Pour éviter des difficultés pendant l'installation, ne pas faire fonctionner l'actionneur de porte pour le moment.

Afin de minimiser les risques de décharge électrique, le cordon d'alimentation de l'actionneur de porte comporte une fiche à trois broches, dont une de mise à la terre. Cette fiche ne peut être branchée que dans une prise de courant mise à la terre. Si la fiche ne peut pas être branchée dans la prise de courant, s'adresser à un électricien compétent pour faire poser une prise de courant adéquate.

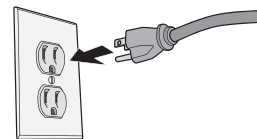


IL EXISTE DEUX OPTIONS POUR RACCORDER L'ALIMENTATION :

OPTION A - CÂBLAGE TYPIQUE

1. Brancher l'actionneur de porte dans une prise de courant mise à la terre.
2. NE PAS faire fonctionner l'actionneur de porte pour le moment.

CÂBLAGE TYPIQUE

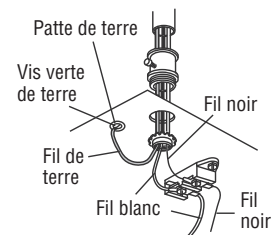


OPTION B - CÂBLAGE PERMANENT

Si les codes municipaux exigent une installation électrique permanente, procéder comme suit. Pour procéder à un branchement permanent par le trou de 2,2 cm (7/8 po) pratiqué dans le dessus du moteur (conformément au code local) :

1. Retirer les vis du couvercle du moteur et mettre le couvercle de côté.
2. Enlever le cordon à 3 broches attaché.
3. Brancher le fil noir (courant secteur) sur la vis de la borne en laiton; le fil blanc (neutre) sur la vis de la borne argent, puis le fil de terre sur la vis de terre verte. **L'actionneur de porte doit être mis à la terre.**
4. Remettre le couvercle en place.

CÂBLAGE PERMANENT



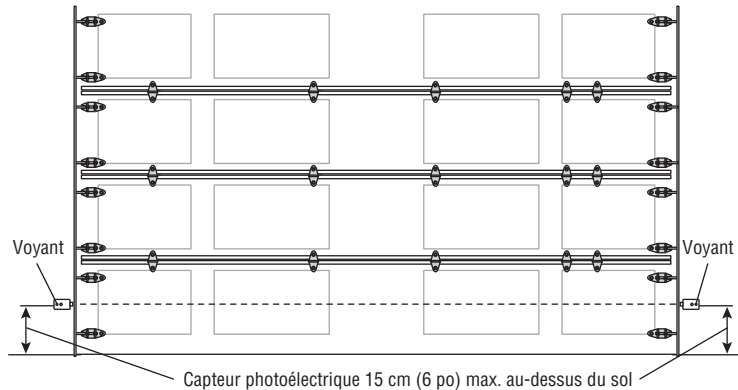
Alimentation

2 S'assurer que les capteurs d'inversion de sécurité sont alignés

La porte ne se fermera pas si les capteurs n'ont pas été installés et alignés correctement.

When the light beam is obstructed or misaligned while the door is closing, the door will reverse and the door operator lights will flash ten times. Si la porte est déjà ouverte, elle ne se fermera pas. Les capteurs peuvent être alignés en desserrant les écrous à oreilles, en corrigeant l'alignement, puis en resserrant les écrous à oreilles.

1. S'assurer que les témoins à DEL des deux capteurs sont allumés. Les témoins à DEL des deux capteurs s'allumeront en continu s'ils sont alignés et câblés correctement.



If the emitter sensor and receiver sensor indicator lights do not glow steadily after installation, check for:

- Photoelectric sensor alignment
- Obstruction
- Power to the operator
- A short or broken wire
- Incorrect wiring between photoelectric sensors and the operator

If the receiver sensor indicator light is off or flashing (and the invisible light beam path is not obstructed), check alignment of the sensors and/or for an open wire to the receiver sensor.

If the emitter sensor and receiver sensor indicator lights are both glowing steadily but interrupting the photoelectric sensors does not cause the door to reverse when closing, check both sensors to make sure one sensor is the emitter and the other is a receiver sensor as indicated on the sensor housing.

REMARQUES :

- Direct sunlight to the receiver sensor may prevent the operator from closing even when both the emitter and receiver indicator lights are illuminated. Swapping the position of the emitter and receiver sensors will resolve this issue.
- Professional service is required if the operator closes the door when the photoelectric sensors are obstructed.

3 S'assurer que la commande de porte est correctement câblée

Si la commande de la porte a été installée et câblée correctement, la DEL derrière le bouton-poussoir clignotera.

Réglages

Introduction

AVERTISSEMENT

Sans un système d'inversion de sécurité bien installé, des personnes (plus particulièrement les petits enfants) pourraient être GRIÈVEMENT BLESSÉES ou TUÉES par une porte de garage qui se referme.

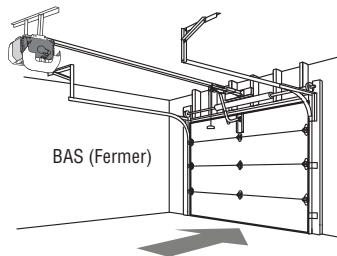
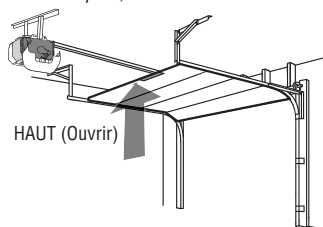
- Un réglage erroné des courses de la porte gênera le bon fonctionnement du système d'inversion de sécurité.
- Après avoir effectué QUELQUE réglage que ce soit, on DOIT faire l'essai du système d'inversion de sécurité. La porte de garage DOIT remonter au contact d'un objet d'une hauteur de 3,8 cm (1 1/2 po) (ou d'un 2 x 4 posé à plat) du sol.

ATTENTION

Pour prévenir les dommages aux véhicules, s'assurer que la porte entièrement ouverte offre un dégagement suffisant.

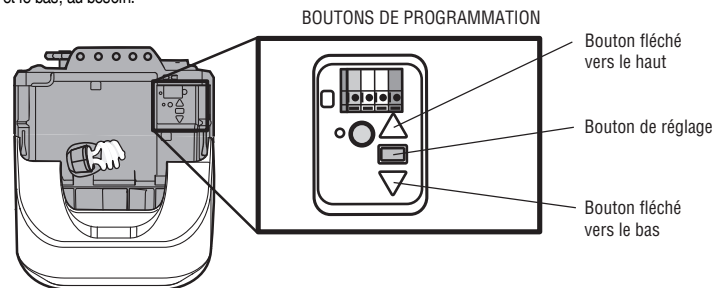
Votre actionneur de porte a été conçu avec des commandes électroniques pour simplifier la configuration et les réglages. Les réglages vous permettent de programmer le point d'arrêt de fermeture ou d'ouverture de la porte. Les commandes électroniques détectent la force requise pour l'ouverture et la fermeture de la porte. La force est réglée automatiquement lorsqu'on programme la course.

REMARQUE : Si quoi que ce soit gêne l'ouverture de la porte, cette dernière s'arrêtera. Si quoi que ce soit gêne la fermeture de la porte, cette dernière remontera.



BOUTONS DE PROGRAMMATION

Les boutons de programmation sont situés sur le panneau latéral de l'actionneur de porte et servent à programmer la course de la porte. Durant la programmation, les boutons fléchés peuvent être utilisés pour déplacer la porte vers le haut et le bas, au besoin.



Réglages

1 Programmation de la course

AVERTISSEMENT

Sans un système d'inversion de sécurité bien installé, des personnes (plus particulièrement les petits enfants) pourraient être GRIÈVEMENT BLESSÉES ou TUÉES par une porte de garage qui se referme.

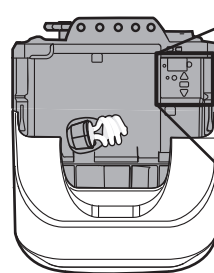
- Un réglage erroné des courses de la porte gênera le bon fonctionnement du système d'inversion de sécurité.
- Après avoir effectué QUELQUE réglage que ce soit, on DOIT faire l'essai du système d'inversion de sécurité. La porte de garage DOIT remonter au contact d'un objet d'une hauteur de 3,8 cm (1 1/2 po) (ou d'un 2 x 4 posé à plat) du sol.

Durant la programmation, les boutons fléchés vers le HAUT et le BAS peuvent être utilisés pour déplacer la porte vers le haut et le bas, au besoin.

1. Enfoncer et tenir le bouton de réglage jusqu'à ce que le bouton fléché vers le haut commence à clignoter ou qu'un bip se fasse entendre.
2. Enfoncer et tenir le bouton fléché vers le haut jusqu'à ce que la porte soit à la position d'ouverture désirée.
3. Une fois que la porte est dans la position d'ouverture désirée, appuyer sur le bouton de réglage et le relâcher. L'éclairage de l'actionneur de porte clignotera deux fois et le bouton fléché vers le bas commencera à clignoter.
4. Enfoncer et tenir le bouton fléché vers le bas jusqu'à ce que la porte soit à la position de fermeture désirée.
5. Lorsque la porte est dans la position de fermeture désirée, enfoncer et relâcher le bouton de réglage. L'éclairage de l'actionneur de porte clignotera deux fois et le bouton fléché vers le haut commencera à clignoter.
6. Enfoncer et relâcher le bouton fléché vers le haut. Lorsque la porte se déplace à la position d'ouverture programmée, le bouton fléché vers le bas commencera à clignoter.
7. Enfoncer et relâcher le bouton fléché vers le bas. La porte se déplacera jusqu'à la position de fermeture programmée. La programmation est terminée.

Si l'éclairage de l'actionneur de porte clignote cinq fois au cours des étapes de programmation de la course, le délai de programmation est échu. Si l'éclairage de l'actionneur de porte clignote 10 fois au cours des étapes de programmation de la course, les capteurs d'inversion de sécurité sont mal alignés ou obstrués (voir la page 24). Lorsque les capteurs sont alignés et dégagés, effectuer un cycle d'ouverture et de fermeture complet de la porte en utilisant la télécommande ou les boutons UP et DOWN. La programmation est terminée. Si la porte ne s'actionne pas, répéter les étapes de la programmation de la course.

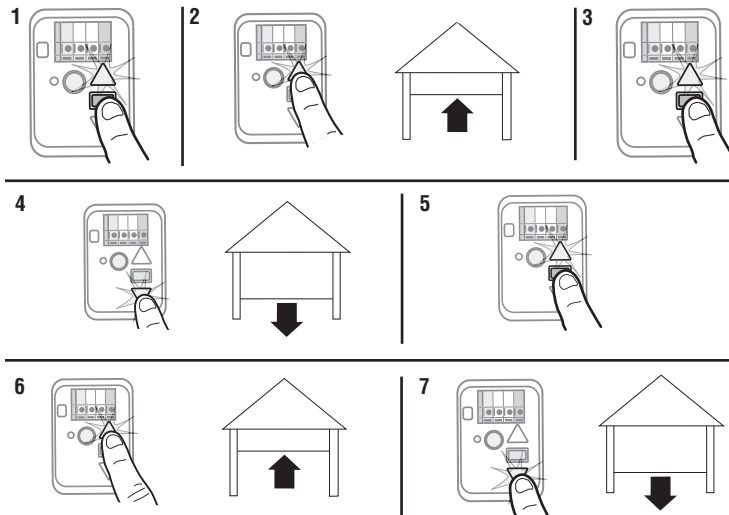
BOUTONS DE PROGRAMMATION



Bouton fléché vers le haut

Bouton de réglage

Bouton fléché vers le bas



Réglages

2 Essai du système d'inversion de sécurité

AVERTISSEMENT

Sans un système d'inversion de sécurité bien installé, des personnes (plus particulièrement les petits enfants) pourraient être **GRIÈVEMENT BLESSÉES** ou **TUÉES** par une porte de garage qui se referme.

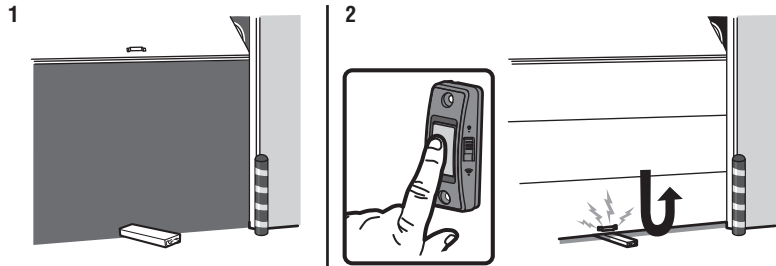
- Le système d'inversion de sécurité **DOIT** être testé chaque mois.
- Après avoir effectué **QUELQUE** réglage que ce soit, on **DOIT** faire l'essai du système d'inversion de sécurité. La porte de garage **DOIT** remonter au contact d'un objet d'une hauteur de 3,8 cm (1 1/2 po) (ou un 2 x 4 posé à plat) du sol.

1. La porte étant entièrement ouverte, placer une planche de 3,8 cm (1 1/2 po) d'épaisseur (ou un 2 x 4 à plat) sur le sol, centrée sous la porte.
2. Appuyer sur le bouton-poussoir de la commande de porte. La porte **DOIT** remonter quand elle entre en contact avec la planche.

Si la porte arrête sa course, mais ne l'inverse pas :

1. Revoir les instructions d'installation fournies pour vérifier que toutes les étapes ont bien été suivies;
2. Répéter la programmation de la course de la porte (voir Étape 1 du réglage).
3. Répéter l'essai du système d'inversion de sécurité.

Si l'essai échoue encore, appeler un technicien formé en systèmes de porte.



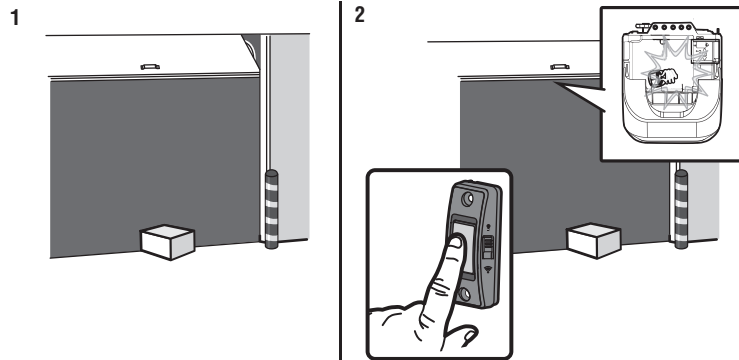
3 Essai du Protector System®

AVERTISSEMENT

Sans un système d'inversion de sécurité bien installé, des personnes (plus particulièrement les petits enfants) pourraient être **GRIÈVEMENT BLESSÉES** ou **TUÉES** par une porte qui se referme.

1. Ouvrir la porte. Mettre la boîte en carton de l'actionneur dans la trajectoire de la porte.
2. Appuyer sur le bouton-poussoir de la commande de porte pour fermer la porte. La porte ne se déplacera pas de plus de 2,5 cm (1 po) et l'éclairage de l'actionneur de porte clignotera 10 fois.

L'actionneur de porte ne se fermera pas avec une télécommande si le témoin à DEL d'un des deux capteurs d'inversion de sécurité est éteint (ce qui indique que le détecteur est mal aligné ou obstrué). Si l'actionneur de porte ferme la porte lorsque le capteur d'inversion de sécurité est obstrué (et que les capteurs ne sont pas à plus de 15 cm [6 po] du sol), appeler un technicien formé en systèmes de porte.



IMPORTANTES CONSIGNES DE SÉCURITÉ

AVERTISSEMENT

Pour réduire le risque de BLESSURES GRAVES, voire MORTELLES :

1. LIRE ET OBSERVER TOUS LES AVERTISSEMENTS ET TOUTES LES INSTRUCTIONS.
2. Garder TOUJOURS la télécommande hors portée des enfants. Ne JAMAIS laisser des enfants faire fonctionner les télécommandes ou les boutons-poussoirs de la commande de porte de garage ou jouer avec ceux-ci.
3. Actionner la porte UNIQUEMENT lorsqu'elle est clairement visible, elle est bien réglée et aucun obstacle n'est présent sur la course de la porte.
4. Garder TOUJOURS la porte en vue et toute personne ou tout objet à l'écart de la porte jusqu'à sa fermeture complète. PERSONNE NE DOIT CROISER LA TRAJECTOIRE DE LA PORTE EN MOUVEMENT.
5. PERSONNE NE DOIT PASSER SOUS UNE PORTE ARRÊTÉE OU PARTIELLEMENT OUVERTE.
6. Si possible, utiliser la poignée de déclenchement d'urgence pour désengager le chariot UNIQUEMENT lorsque la porte de garage est FERMÉE. Faire preuve de prudence lors de l'utilisation de cette poignée lorsque la porte est ouverte. Des ressorts affaiblis ou brisés ou une porte déséquilibrée peuvent entraîner la chute rapide ou inattendue de la porte et accroître le risque de BLESSURES GRAVES, voire MORTELLES.
7. Ne JAMAIS utiliser la poignée de déclenchement d'urgence à moins que rien ni personne n'obstrue la trajectoire de la porte.
8. Ne JAMAIS utiliser la poignée pour ouvrir ou fermer la porte. Il y a risque de chute si le nœud de la corde se défait.
9. Après avoir effectué QUELQUE réglage que ce soit, on DOIT faire l'essai du système d'inversion de sécurité.
10. Le système d'inversion de sécurité DOIT être testé chaque mois. La porte de garage DOIT remonter au contact d'un objet d'une hauteur de 3,8 cm (1 1/2 de po) (ou un 2 x 4 posé à plat) du sol. À défaut de régler l'actionneur de porte correctement, le risque de BLESSURE GRAVE ou de MORTELLE sera accru.
11. GARDER TOUJOURS LA PORTE BIEN ÉQUILIBRÉE (voir la page 4). Une porte mal équilibrée peut ne PAS inverser sa course en cas de besoin et pourrait entraîner des BLESSURES GRAVES, voire MORTELLES.
12. TOUTES les réparations des câbles, des ressorts et de la quincaillerie, lesquels sont sous une tension EXTRÊME, DOIVENT être confiées à des techniciens formés à cet effet.
13. Pour éviter des BLESSURES GRAVES ou MORTELLES par électrocution, débrancher TOUTE alimentation électrique et la batterie AVANT TOUTE intervention ou tout entretien.
14. Ce système d'actionneur est équipé d'un dispositif de fonctionnement sans surveillance. La porte est susceptible de se mettre en mouvement inopinément. PERSONNE NE DOIT CROISER LA TRAJECTOIRE DE LA PORTE EN MOUVEMENT.
15. NE PAS installer sur une porte rigide dans le cas de dispositifs ou fonctions permettant la fermeture non surveillée. Les dispositifs et fonctions non surveillés doivent être utilisés UNIQUEMENT avec des portes articulées.

16. CONSERVER CES INSTRUCTIONS.

Fonctionnement

Caractéristiques

Votre actionneur de porte est doté de fonctions qui vous offrent un meilleur contrôle du fonctionnement de votre porte.

Alert2Close (Alerte de fermeture)

La fonction d'alerte de fermeture fournit une alerte visuelle et audible vous avertissant de la fermeture d'une porte non surveillée.

MINUTERIE DE FERMETURE (TTC)

La minuterie de fermeture ferme automatiquement la porte après une période déterminée qu'on peut régler en utilisant la commande de porte avec TTC (Modèle 881LMW ou 880LMW). Avant et pendant la fermeture de la porte, l'actionneur de porte émet des bips et l'éclairage se met à clignoter.

myQ

myQ vous permet de commander l'actionneur de porte de n'importe quel endroit avec votre appareil mobile ou ordinateur. La technologie myQ utilise un signal de 900 MHz offrant une communication bidirectionnelle entre l'actionneur de porte et les accessoires activés par myQ.

L'actionneur de porte est équipé d'une passerelle internet qui permet à l'actionneur de porte de communiquer directement avec un réseau résidentiel Wi-Fi® et d'accéder à votre compte myQ.

LE PROTECTOR SYSTEM® (CAPTEURS D'INVERSION DE SÉCURITÉ)

Lorsqu'il est bien connecté et bien aligné, le capteur d'inversion détectera un obstacle sur le passage de son faisceau infrarouge. Si un obstacle brise le faisceau infrarouge pendant que la porte se ferme, celle-ci s'arrêtera et remontera jusqu'à la position entièrement ouverte et l'éclairage de l'actionneur de porte clignotera 10 fois. Si la porte est complètement ouverte et que les capteurs d'inversion ne sont pas installés ou sont mal alignés, la porte ne se ferme pas à partir d'une télécommande. Cependant, il est possible de fermer la porte en maintenant le bouton de la commande de porte ou de l'émetteur à code jusqu'à ce que la porte soit totalement fermée. Les capteurs d'inversion de sécurité n'ont aucun effet sur le cycle d'ouverture. Pour plus d'information, voir la page 19.

ÉCONOMIE D'ÉNERGIE

Pour une efficacité énergétique, l'ouvre-porte de garage se met en mode de veille lorsque la porte est complètement fermée. Le mode de veille ferme l'ouvre-porte de garage jusqu'à ce qu'il soit activé. Le mode de veille est séquentiel avec l'ampoule d'éclairage de l'actionneur de porte; lorsque l'ampoule s'éteint, les DEL du capteur s'éteignent et lorsque l'éclairage de l'actionneur de porte se rallume, les DEL du capteur se rallument à leur tour. L'actionneur de porte ne se met en mode de veille que lorsqu'il a achevé cinq cycles après sa mise sous tension.

ÉCLAIRAGE

Les ampoules de l'actionneur de porte s'allumeront lorsque l'actionneur de porte est branché pour la première fois; lorsque le courant est rétabli après une interruption ou lorsque l'actionneur de porte est activé. Les lumières s'éteignent automatiquement après 4-1/2 minutes. On peut utiliser une ampoule à incandescence A19 (100 watts, maximum) ou, pour une efficacité énergétique maximale, une lampe fluorescente compacte de 26 W (équivalent à 100 W)

Éclairage

L'actionneur de porte est équipé d'une fonction supplémentaire; l'éclairage s'allume quand quelqu'un entre par la porte de garage ouverte et interrompt le faisceau infrarouge du capteur d'inversion de sécurité.

UTILISATION DE VOTRE ACTIONNEUR DE PORTE

L'actionneur de porte peut être activé par une commande de porte murale, une télécommande, un dispositif sans fil d'entrée sans clé ou un accessoire myQ. Lorsque la porte est fermée et que l'actionneur de porte est activé, la porte s'ouvrira. Si la porte détecte un obstacle ou est interrompue pendant son ouverture, elle arrêtera sa course. Si la porte n'est pas fermée et que l'actionneur de porte est activé, elle se fermera. Si l'actionneur de porte détecte un obstacle pendant la fermeture, la porte inversera sa course. Si l'obstacle interrompt le faisceau du détecteur, l'éclairage de l'actionneur de porte clignotera 10 fois. Cependant, il est possible de fermer la porte en maintenant le bouton de la commande porte ou de l'émetteur à code jusqu'à ce que la porte soit totalement fermée. Les capteurs d'inversion de sécurité n'ont aucun effet sur le cycle d'ouverture. Le capteur d'inversion de sécurité doit être raccordé et aligné correctement avant que l'ouvre-porte de garage n'entame la fermeture de la porte.

Fonctionnement

Connectez-vous votre téléphone intelligent

L'actionneur de porte Wi-Fi est compatible avec au maximum 16 accessoires activés par myQ. Dix dispositifs peuvent être appariés à la passerelle internet de l'actionneur de porte Wi-Fi. Ces dispositifs peuvent être commandés par l'application myQ. Ces dispositifs comprennent toute combinaison d'actionneurs de porte myQ, d'actionneurs de porte Wi-Fi, de commandes d'éclairage myQ, d'actionneurs de barrière myQ ou d'actionneurs commerciaux de porte myQ. Une passerelle Internet LiftMaster (828LM) peut être ajoutée au besoin de manière à pouvoir commander plus de dix dispositifs avec l'application MyQ. Jusqu'à 6 dispositifs peuvent être appariés à l'actionneur de porte (commandés par l'actionneur de porte par 900 MHz). Ces dispositifs comprennent toute combinaison de commandes d'éclairage myQ ou une porte de garage et un moniteur de barrière.

Il vous faudra :

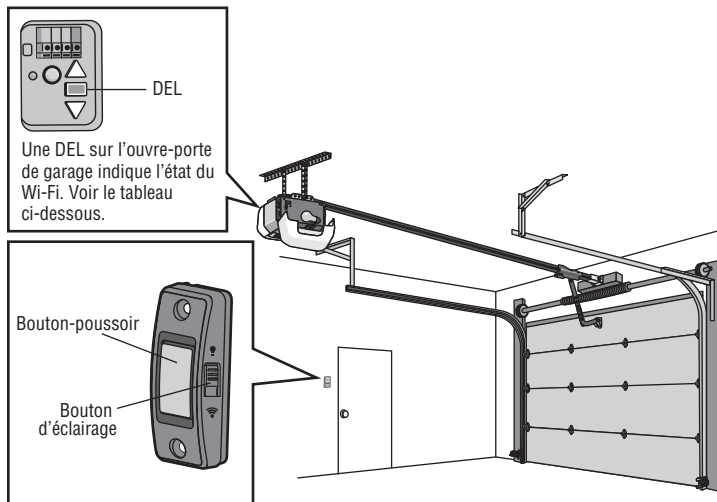
- Un téléphone intelligent, tablette ou ordinateur portable activés par Wi-Fi
- Une connexion internet à bande large
- Un puissant signal Wi-Fi dans le garage (2,4 GHz, 802.11b/g/n exigés), voir la page 4
- Le mot de passe du réseau de votre domicile (compte principal du routeur, pas le réseau d'invité)
- Numéro de série myQ situé l'actionneur de porte de garage

Connectez votre actionneur de porte au réseau Wi-Fi de votre immeuble

Ouvrez et fermez la porte, recevez des alertes et établissez des horaires de n'importe où. Les actionneurs de porte intelligents reçoivent aussi des mises à jour logicielles pour garantir qu'ils bénéficient des plus récentes caractéristiques opérationnelles.

1. Télécharger l'application myQ.
2. Créer un compte et vous connecter.

Pour plus d'information sur la façon de connecter votre ouvre-porte de garage, allez à support.chamberlaingroup.com.



État du Wi-Fi	
DEL	Définition
Bleu	Arrêt - Le Wi-Fi n'est pas activé. Clignotant - Mettre l'actionneur de porte en mode d'apprentissage Wi-Fi. Allumé en continu - L'appareil mobile est connecté à l'actionneur de porte .
Bleu et vert	Clignotant - Tentative de connexion au routeur.
Vert	Clignotant - Tentative de connexion au serveur Internet. Allumé en continu - Le Wi-Fi a été configuré et l'actionneur de porte est connecté à internet.

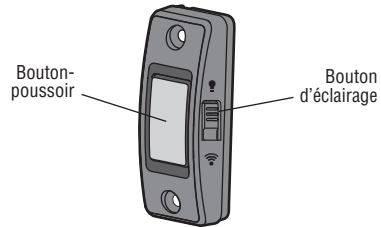
Pour toute assistance concernant l'ajout de dispositifs à votre compte myQ ou pour en savoir plus, aller à support.chamberlaingroup.com.

Fonctionnement

Utilisation de la commande de porte 883LMW

SYNCHRONISATION DE LA COMMANDE PORTE

Pour synchroniser la commande de porte à l'actionneur de porte, appuyer sur le bouton-poussoir jusqu'à ce que l'actionneur de porte s'active (cela peut prendre jusqu'à 3 pressions). Vérifier la commande de la porte en appuyant sur le bouton-poussoir, chaque pression sur le bouton-poussoir activera l'actionneur de porte.



BOUTON-POUSSOIR

Appuyer sur le bouton-poussoir pour ouvrir ou fermer la porte.

BOUTON « LIGHT » (ÉCLAIRAGE)

Appuyer sur le bouton « LIGHT » (éclairage) pour allumer ou éteindre l'éclairage de l'actionneur de porte. Lorsque l'éclairage est allumé, il le restera jusqu'à ce le bouton « LIGHT » (éclairage) soit de nouveau enfoncé ou que l'actionneur de porte soit activé. Quand l'actionneur de porte est mis sous tension, l'éclairage s'éteint après le délai précisé (le réglage d'usine est de 4 minutes et demie). Le bouton « LIGHT » (éclairage) ne permet pas de commander l'éclairage pendant que la porte est en mouvement.

Fonctionnement

Ouverture manuelle de la porte



AVERTISSEMENT

Pour prévenir d'éventuelles BLESSURES GRAVES ou MORTELLES par suite de la chute d'une porte de garage :

- Si possible, utiliser la poignée de déclenchement d'urgence pour désengager le chariot **UNIQUEMENT** lorsque la porte de garage est FERMÉE. Des ressorts faibles ou brisés ou une porte déséquilibrée peuvent provoquer la chute rapide ou imprévue d'une porte ouverte.
- Ne JAMAIS utiliser la poignée de déclenchement d'urgence à moins que rien ni personne n'obstrue la trajectoire de la porte.
- Ne JAMAIS utiliser la poignée pour ouvrir ou fermer la porte. Il y a risque de chute si le nœud de la corde se défait.

REMARQUE : Désengager toutes les serrures de porte avant de procéder.

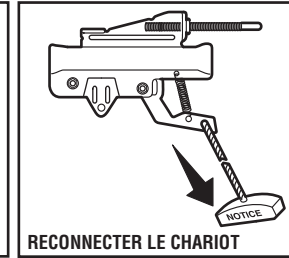
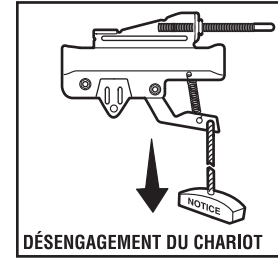
DÉSENGAGEMENT DU CHARIOT

1. Dans la mesure du possible, la porte doit être complètement fermée.
2. Tirer la poignée de déclenchement d'urgence.

RECONNECTER LE CHARIOT

La fonction de verrouillage empêche le chariot de se réengager automatiquement.

1. Tirer la poignée de déclenchement d'urgence vers le bas et l'arrière (vers l'actionneur de porte). Il sera alors possible d'ouvrir et de fermer la porte à la main autant de fois qu'on le désirera.
2. Pour désactiver la fonction de verrouillage, tirer la poignée vers le bas. Le chariot se réenclenchera lors de la prochaine ouverture ou fermeture de la porte, soit manuellement ou à l'aide de la commande de la porte ou de la télécommande.



Entretien

Calendrier d'entretien

CHAQUE MOIS

- Faire fonctionner la porte manuellement. Si elle est déséquilibrée ou si elle force, appeler un technicien formé aux systèmes de porte.
- S'assurer que la porte s'ouvre et se ferme complètement. Régler au besoin, voir la page 25.
- Mise à l'essai du système d'inversion de sécurité. Régler au besoin, voir la page 27.

DEUX FOIS PAR AN

- Vérifier la tension de la chaîne. Désengager d'abord le chariot. Régler au besoin (voir la page 8).

CHAQUE ANNÉE

- Huiler les galets, les roulements et les charnières de la porte. Il n'est pas nécessaire de lubrifier davantage l'actionneur de porte de garage. Ne pas graisser les guides de la porte.

TOUS LES TROIS À QUATRE ANS

- Utiliser un chiffon pour éliminer la graisse existante sur le rail de l'actionneur de porte. Appliquer de nouveau une fine couche de graisse blanche au lithium sur la surface du rail, là où le chariot glisse.

AVERTISSEMENT : Cet appareil est conforme aux dispositions de la partie 15 du règlement de la FCC et de l'exemption de licence des appareils radio d'Innovation, Sciences et Développement économique Canada. L'utilisation est assujettie aux deux conditions suivantes: (1) ce dispositif ne peut causer de brouillage nuisible, et (2) ce dispositif doit accepter tout brouillage reçu, y compris tout brouillage pouvant causer un fonctionnement indésirable.

Tout changement ou modification non expressément approuvés par la partie responsable de la conformité pourrait annuler l'autorité de l'utilisateur d'utiliser l'équipement.

Cet appareil doit être installé de manière à laisser une distance d'au moins 20 cm (8 po) entre celui-ci/l'utilisateur ou toute personne. Cet appareil a été testé et déclaré conforme aux limites d'un dispositif numérique de Classe B, conformément à la partie 15 du règlement de la FCC et de la norme NMB d'Innovation, Sciences et Développement économique Canada. Ces limites ont pour but de fournir une protection raisonnable contre le brouillage nuisible dans une installation résidentielle. Cet équipement génère, utilise et peut émettre des fréquences radio et, s'il n'est pas installé et utilisé conformément aux instructions, peut causer un brouillage nuisible aux communications radio. Cependant, rien ne garantit l'absence de brouillage dans une installation particulière. Si cet équipement cause un brouillage nuisible à la réception radio ou télévisée, ce qui peut être déterminé en éteignant et en rallumant l'équipement, l'utilisateur est invité à tenter de corriger le brouillage en prenant l'une des mesures suivantes:

- Réorienter ou déplacer l'antenne de réception.
- Augmenter la distance entre l'équipement et le récepteur.
- Connecter l'équipement dans une prise de courant sur un circuit différent de celui auquel le récepteur est branché.
- Pour obtenir de l'aide, consulter le détaillant ou un technicien radio chevronné.

Dépannage

Fiche diagnostique

Des fonctions d'autodiagnostic ont été programmées dans votre actionneur de porte. Les flèches vers le haut et le bas sur l'actionneur de porte font clignoter les codes d'anomalie.

CODE D'ANOMALIE		SYMPTÔME	SOLUTION
La flèche vers le haut clignote	La flèche vers le bas clignote		
1	1	L'actionneur de porte ne ferme pas la porte et l'éclairage clignote.	Les capteurs d'inversion de sécurité ne sont pas installés, connectés, ou les fils sont coupés. Vérifier les fils du capteur pour y déceler tout fil déconnecté ou coupé.
1	2	L'actionneur de porte ne ferme pas la porte et l'éclairage clignote.	Les capteurs d'inversion de sécurité sont court-circuités ou un fil est inversé. Inspecter le câblage des capteurs d'inversion de sécurité et tous les points d'agrafe et de connexion; remplacer ou corriger les fils au besoin.
1	3	La commande de porte ne fonctionne pas.	Les fils de la commande de porte sont court-circuités ou la commande de porte est défectueuse. Inspecter le câblage des capteurs d'inversion de sécurité et tous les points d'agrafe et de connexion; remplacer ou corriger les fils au besoin.
1	4	L'actionneur de porte ne ferme pas la porte et l'éclairage clignote.	Les capteurs d'inversion de sécurité sont désalignés ou momentanément obstrués. Réaligner les deux capteurs pour s'assurer que les deux DEL s'allument de manière continue et ne clignotent pas. S'assurer que rien ne pend ou n'est monté sur la porte, ce qui pourrait perturber le champ des capteurs pendant la fermeture.
1	5	La porte est en mouvement sur une distance de 15 à 20 cm (6 à 8 po), puis s'arrête ou inverse sa course.	Ouvrir et fermer manuellement la porte. Vérifier si un objet est collé ou obstrue la porte, comme un ressort ou une serrure brisé(e); corriger au besoin. Vérifier les connexions de câble au module de course et à la carte logique. Remplacer le module au besoin.
		Aucun mouvement de la porte, un seul dé clic se fait entendre.	Ouvrir et fermer manuellement la porte. Vérifier si un objet est collé ou obstrue la porte, comme un ressort ou une serrure brisé(e); corriger au besoin. Remplacer la carte logique au besoin.
		L'actionneur de porte émet un faible murmure pendant une à deux secondes, mais la porte ne bouge pas.	Ouvrir et fermer manuellement la porte. Vérifier si un objet est collé ou obstrue la porte, comme un ressort ou une serrure brisé(e); corriger au besoin. Remplacer le moteur au besoin.
1	6	La porte glisse après qu'elle se soit complètement arrêtée.	Programmer la course jusqu'à la position de glissement ou faire équilibrer la porte par un technicien formé en systèmes de porte.
2	1-5	Aucun mouvement ni son.	Remplacer la carte logique.
3	2	Impossible de régler la course ou la position de retenue.	Vérifier le bon assemblage du module de course, le remplacer au besoin.

Dépannage

CODE D'ANOMALIE		SYMPTÔME	SOLUTION
La flèche vers le haut clignote	La flèche vers le bas clignote		
4	1-4	Le mouvement de la porte s'interrompt ou/et repart en direction inverse.	Ouvrir et fermer manuellement la porte. Vérifier si un objet est collé ou obstrue la porte, comme un ressort ou une serrure brisé(e); corriger au besoin. Si la porte force ou colle, appeler un technicien formé en systèmes de porte. Si la porte ne force pas ou ne colle pas, essayer de reprogrammer la course (consulter la page 26).
4	5	La porte est en mouvement sur une distance de 15 à 20 cm (6 à 8 po), puis s'arrête ou inverse sa course.	Erreur de communication avec le module de commande de la course. Vérifier les connexions du module de course; remplacer le module au besoin.
4	6	L'actionneur de porte ne ferme pas la porte et l'éclairage clignote.	Les capteurs d'inversion de sécurité sont désalignés ou momentanément obstrués. Réaligner les deux capteurs pour s'assurer que les deux DEL s'allument de manière continue et ne clignent pas. S'assurer que rien ne pend ou n'est monté sur la porte, ce qui pourrait perturber le champ des capteurs pendant la fermeture.

L'actionneur de porte ne passe PAS en mode d'apprentissage Wi-Fi :

- Après l'installation initiale de l'actionneur de porte, ce dernier doit effectuer un cycle complet (ouverture et fermeture) avant que le mode d'apprentissage Wi-Fi puisse être activé.
- Si une panne de courant s'est récemment produite, l'actionneur de porte doit effectuer un cycle complet avant que le mode d'apprentissage Wi-Fi puisse être activé.

Voir la page 30 pour activer le mode d'apprentissage Wi-Fi.

Impossible de connecter l'actionneur de porte au réseau Wi-Fi de l'immeuble :

- S'assurer que le numéro de série MyQ a été saisi correctement et essayer de nouveau. Les caractères MyQ se situent entre A et F et 0 à 9 uniquement.
- Signal Wi-Fi faible dans l'immeuble. Vérifier que le signal Wi-Fi atteint l'actionneur de porte, voir la page 4 ou aller à WiFiHelp.LiftMaster.com pour plus d'information.

Ma porte ne se ferme pas et les ampoules d'éclairage clignent sur le moteur :

Le capteur d'inversion de sécurité doit être raccordé et aligné correctement avant que la porte ne commence à se fermer.

- Vérifier que les capteurs d'inversion de sécurité sont bien installés et libres de toute obstruction.

L'éclairage de l'actionneur de porte ne s'éteint pas quand la porte est ouverte :

L'actionneur de porte est équipé d'une fonction qui allume l'éclairage lorsque les capteurs d'inversion de sécurité sont obstrués. Cette fonction peut être désactivée à l'aide de la commande porte, voir la page .

Une télécommande non autorisée ouvre ma porte :

Effacer la mémoire de votre actionneur de porte et reprogrammer la ou les télécommandes.

La télécommande Homelink® de mon véhicule n'arrive pas à programmer mon actionneur de porte :

Un adaptateur externe peut être nécessaire selon la marque et l'année-modèle de votre véhicule. Aller sur www.homelink.com pour de l'information supplémentaire.

Accessoires

823LM



Télécommutateur d'éclairage :
Commandez automatiquement votre éclairage en vous servant de l'actionneur de porte, d'une télécommande Security+ 2.0 ou d'une passerelle internet LiftMaster. Remplace simplement l'interrupteur mural câblé actuel.

825LM



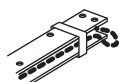
Télécommande d'éclairage :
Commandez automatiquement votre éclairage en vous servant de l'actionneur de porte, d'une télécommande Security+ 2.0 ou d'une passerelle internet LiftMaster. Se branche dans n'importe quelle prise de courant intérieure.

975LM



Dispositif laser d'assistance au stationnement :
Le laser permet aux conducteurs de garer leurs véhicules de manière précise.

CD1008



Rail complet de 2,44 m (8 pi) :
Pour permettre à une porte de 2,44 m (8 pieds) de s'ouvrir complètement.

827LM



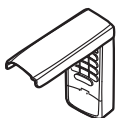
Lampe à LED télécommandée myQ® :
Lampe sans fil qui peut être programmée à l'ouvre-porte de porte ou à une télécommande.

829LM



Moniteur de porte de garage et de barrière :
Surveille l'état de marche-arrêt de 4 actionneurs de porte ou de barrière (au maximum) compatibles avec myQ®, et permet de les fermer de n'importe où dans l'immeuble.

877MAX



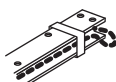
Émetteur à code sans fil MAX :
Pour une utilisation à l'extérieur de l'immeuble vous permettant d'activer l'accès par un NIP à quatre chiffres. Fonctionne avec TOUS les actionneurs de porte LiftMaster fabriqués depuis 1993.

1702LM



Dégagement rapide de l'extérieur :
Nécessaire pour un immeuble SANS porte d'accès. Permet au propriétaire d'ouvrir la porte manuellement de l'extérieur en désengageant le chariot.

CD1010



Rail complet de 3,05 m (10 pi) :
Pour permettre à une porte de 3,05 m (10 pi) de s'ouvrir complètement.

893MAX



Télécommande à 3 boutons MAX :
Compatible avec les actionneurs de porte LiftMaster fabriqués depuis 1993. Comprend l'agrafe de pare-soleil.

374UT



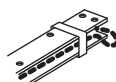
Mini-télécommande universelle :
La mini-télécommande universelle peut être programmée pour activer jusqu'à deux produits, comme un ouvre-porte de garage, des commandes d'éclairage myQ, un actionneur de barrière ou de porte commerciale.

892LT/894LT



Télécommandes à 2 et 4 boutons d'apprentissage :
Compatible avec les actionneurs de porte LiftMaster fabriqués depuis 1997. Également compatible avec les DIP encodés pour applications de barrière.

CD1012



Rail complet de 3,66 m (12 pi) :
Pour permettre à une porte de 3,66 m (12 pi) de s'ouvrir complètement.

880LMW



Smart Control Panel :
Affiche la température, l'heure et de diagnostic du système; comprend une barre-poussoir pour ouvrir et fermer la porte et une fonction de verrouillage pour assurer une meilleure sécurité. Compatible avec Security+ 2.0 et Wi-Fi.

881LMW



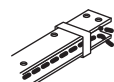
Panneau de commande de détecteur de mouvement doté d'une commande de minuterie de fermeture :
Commande de porte multifonction avec détecteur de mouvement qui allume automatiquement l'éclairage de l'actionneur lorsqu'il détecte la présence d'une personne pénétrant dans l'immeuble. Compatible avec Security+ 2.0 et Wi-Fi.

886LMW



Tableau de commande à détection de mouvement :
Commande de porte multifonction avec détecteur de mouvement qui allume automatiquement l'éclairage de l'actionneur lorsqu'il détecte la présence d'une personne pénétrant dans l'immeuble. Compatible avec Security+ 2.0 et Wi-Fi.

CD1014



Rail complet de 4,27 m (14 pi) :
Pour permettre à une porte de 4,27 m (14 pi) de s'ouvrir complètement.
REMARQUE : Nécessite un assemblage supplémentaire.

Guide de sécurité et d'entretien de l'ouvre-porte de garage automatique

Sécurité de l'ouvre-porte de garage – une décision automatique

Une porte de garage est le plus gros objet mobile d'une maison. Dans le cas où la porte de garage et l'actionneur seraient mal réglés, une très grande force pourrait être exercée par la porte en se fermant, ce qui pourrait causer le piégeage d'enfants ou d'adultes et entraîner des blessures ou la mort.

L'installation appropriée du dispositif, l'emploi correct de l'ouvre-porte, de même que son bon entretien et la mise à l'essai de la porte et de l'actionneur automatique sont essentiels pour obtenir un système sécuritaire et efficace du système. L'utilisation négligente de l'ouvre-porte ou le fait de laisser des enfants jouer avec les commandes de l'ouvre-porte créent des situations dangereuses qui peuvent avoir des conséquences tragiques. De simples précautions peuvent protéger votre famille et vos amis de dangers potentiels. Veuillez lire attentivement les conseils de sécurité et d'entretien dans cette guide et conserver celle-ci pour référence ultérieure. Vérifiez votre porte de garage et l'ouvre-porte pour vous assurer qu'ils fonctionnent bien et de manière sécuritaire. Assurez-vous de lire tous les renseignements importants sur la sécurité qui se trouvent dans le manuel de votre ouvre-porte de garage, car ils fournissent plus de détails et de consignes de sécurité que ne peut en contenir cette guide.

Les ouvre-portes de garage ne sont pas des jouets

Discutez de la sécurité de la porte de garage et de l'ouvre-porte avec vos enfants. Expliquez-leur le danger de rester piégé sous la porte.



Restez à l'écart d'une porte en mouvement.



Gardez les émetteurs et les télécommandes hors de portée des enfants. Ne permettez pas aux enfants d'utiliser ou de jouer avec des émetteurs ou d'autres télécommandes.



Le bouton-poussoir monté au mur doit être hors de portée des enfants à au moins 1,5 m (5 pi) de la surface d'appui la plus proche et à l'écart de toutes les pièces mobiles. Montez et utilisez le bouton là où vous pouvez clairement voir la porte de garage qui se ferme.



Gardez la porte bien en vue jusqu'à ce qu'elle soit complètement fermée lors de l'utilisation du bouton-poussoir monté au mur ou de l'émetteur.

Un entretien régulier peut prévenir des tragédies

Faites en sorte que l'inspection et la mise à l'essai mensuelles de votre système de porte de garage et de votre ouvre-porte fassent partie de vos tâches routinières. Étudiez votre manuel du propriétaire pour bien comprendre le fonctionnement de la porte et de l'ouvre-porte. Si vous ne possédez plus les manuels du propriétaire, contactez leur fabricant respectif et demandez de recevoir un exemplaire pour votre ou vos modèles particuliers. Repérez le numéro de modèle de l'ouvre-porte à l'arrière de l'unité d'alimentation.

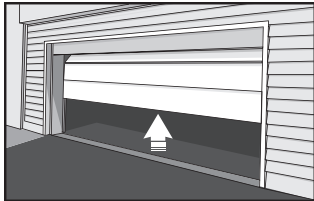


AVERTISSEMENT – Les ressorts sont sous forte tension. Seules des personnes qualifiées devraient les ajuster.



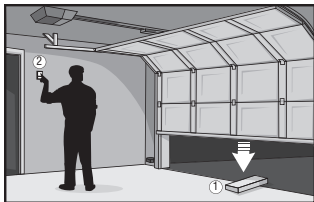
Vérifiez visuellement la porte et l'installation :

- en commençant par la porte en position fermée, servez-vous du mécanisme de déverrouillage manuel pour déconnecter la porte.
- Recherchez des signes d'usure ou de dommage sur les charnières, les rouleaux, les ressorts et les panneaux de la porte.
- Ces pièces doivent être lubrifiées régulièrement. Vérifiez le manuel du propriétaire concernant l'entretien suggéré.
- En cas de signes de dommages évidents, contactez un technicien formé en systèmes de porte pour obtenir une assistance.
- Vérifiez que les cellules photoélectriques ne dépassent pas une hauteur de 15 cm (6 po) du plancher du garage.



Testez le bon fonctionnement de la porte :

- Ouvrez et fermez la porte manuellement en utilisant les poignées ou des points de préhension convenables.
- La porte devrait bouger librement et sans difficulté.
- **La porte devrait être équilibrée et rester partiellement ouverte à une hauteur de 0,9 m à 1,2 m (3 à 4 pi) au-dessus du sol.**
- En cas de signes d'un mauvais fonctionnement, contactez un technicien formé en systèmes de porte pour obtenir une assistance.



Testez les fonctions de sécurité de l'ouvre-porte :

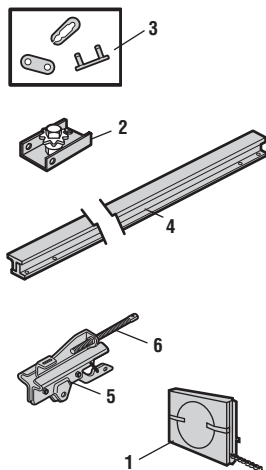
- Reconnectez l'ouvre-porte à la porte à l'aide du mécanisme de déverrouillage manuel et ouvrez la porte.
- Placez une planche de 2x4 à plat dans la trajectoire de la porte (1) et essayez de fermer la porte (2). La porte devrait s'arrêter lorsqu'elle entre en contact avec la planche et inverser sa course.
- Bloquez le capteur photoélectrique en agitant un objet devant le capteur et tentez de fermer la porte. La porte ne devrait pas se fermer à moins que le bouton-poussoir monté au mur soit tenu manuellement pendant l'opération.
- Si l'ouvre-porte ne fonctionne pas comme décrit dans le manuel, contactez un technicien formé en systèmes de porte pour obtenir une assistance.



Pièces de réparation

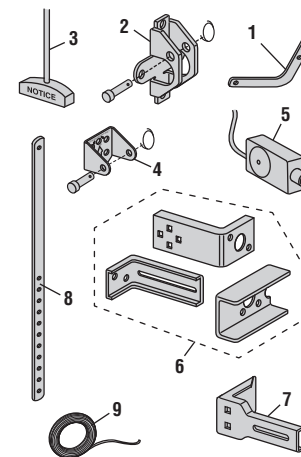
Pièces d'assemblage du rail

Description	Numéro de pièce
1 Chaîne - pour porte de 2,4 m (8 pi)	041D3483
Chaîne - pour porte de 3 m (10 pi)	041D3485
Chaîne - pour porte de 3,6 m (12 pi)	19-5812
Chaîne - pour porte de 4,2 m (14 pi)	19-5814
2 Support de poulie de chaîne	041A2780
3 Maillon de raccord	19-48ML
4 Rail de 2,4 m (8 pi)	CD1008
Rail de 3 m (10 pi)	CD1010
Rail de 3,6 m (12 pi)	CD1012
Rail de 4,2 m (14 pi)	CD1014
5 Ensemble de chariot	041A3489
6 Arbre fileté du chariot	K109B0018
Non illustré	
Graisse pour rail	K083A0011-1



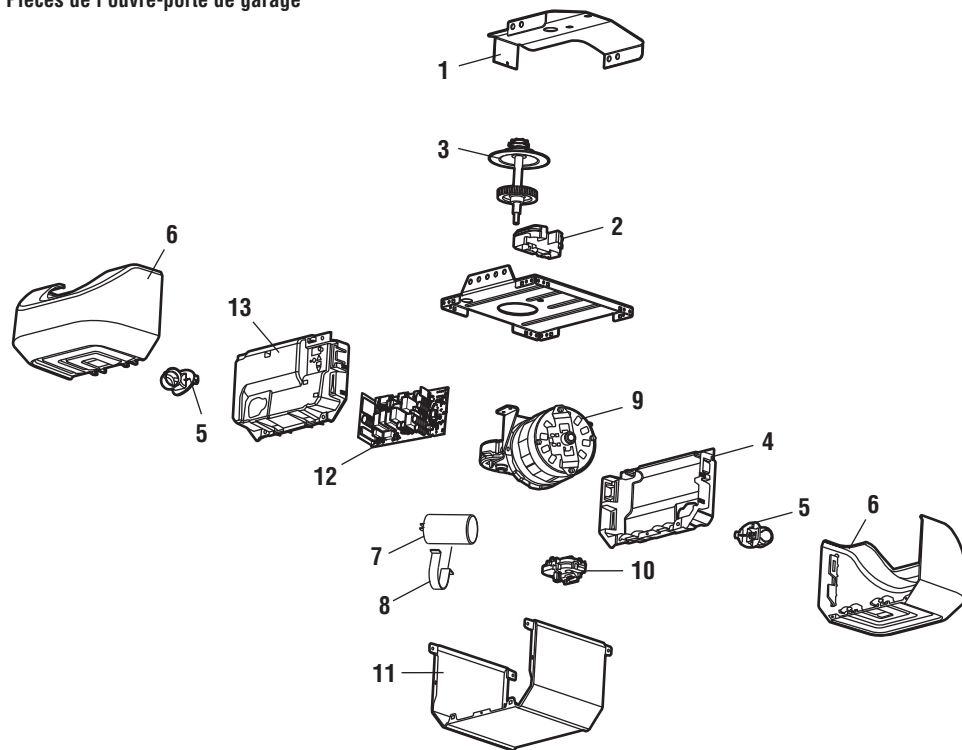
Pièces pour l'installation

Description	Numéro de pièce
1 Bielle courbée	041B0035B
2 Support de porte avec axe de chape et fixation	041A5047
3 Poignée et corde de déclenchement d'urgence	041A2828
4 Support de linteau avec axe de chape et fixation	041A4353
5 Trousse de capteur d'inversion de sécurité avec cellules réceptrice et émettrice avec fil de 0,9 m (3 pi) à 2 conducteurs	041A4373ATS
6 Support de capteur d'inversion de sécurité	041A6569
7 Supports de rallonge	041A5281-1
8 Bielle droite	04178B0034B
9 Fils blanc et rouge-blanc	041B4494-1
Non illustré	
Manuel d'installation	114A5255
Trousse de quincaillerie	041A2770-17



Pièces de réparation

Pièces de l'ouvre-porte de garage



Description	Numéro de pièce
1 Support de châssis	041C5069
2 Écarteur de chaîne	041A5615
3 Pignon et engrenage	041A5585
4 Panneau d'extrémité	041A7756-1
5 Douille d'ampoule	041C0279
6 Diffuseur	041A7562
7 Condensateur	030B0532-1
8 Support du condensateur	012A0373
9 Moteur avec module de course	041-0031
10 Module de course	041D7742-7
11 Couverture	041-0014
12 Carte logique du récepteur	050ACTWFATS
13 Panneau d'extrémité de la carte logique	041D8198
Non illustré	
Faisceau de fils	041A7814
Cordon électrique	041B4245-1
Bornier	041A3150

Coordonnées

Ou aller à :
LiftMaster.com
 OU
myLiftMaster.com

Pour des renseignements sur l'installation et l'entretien, appeler au :
1-800-528-9131

Avant d'appeler, s'assurer d'avoir le numéro de modèle de l'ouvre-porte de garage à portée de la main. En cas d'appel au sujet d'un dépannage, il est recommandé d'avoir accès à votre ouvre-porte de garage tout en appelant. Pour commander une pièce de réparation, noter les renseignements suivants : numéro de pièce, nom de la pièce et numéro de modèle.

Wi-Fi® est une marque déposée de Wi-Fi Alliance.
 © 2018, LiftMaster
 Tous droits réservés