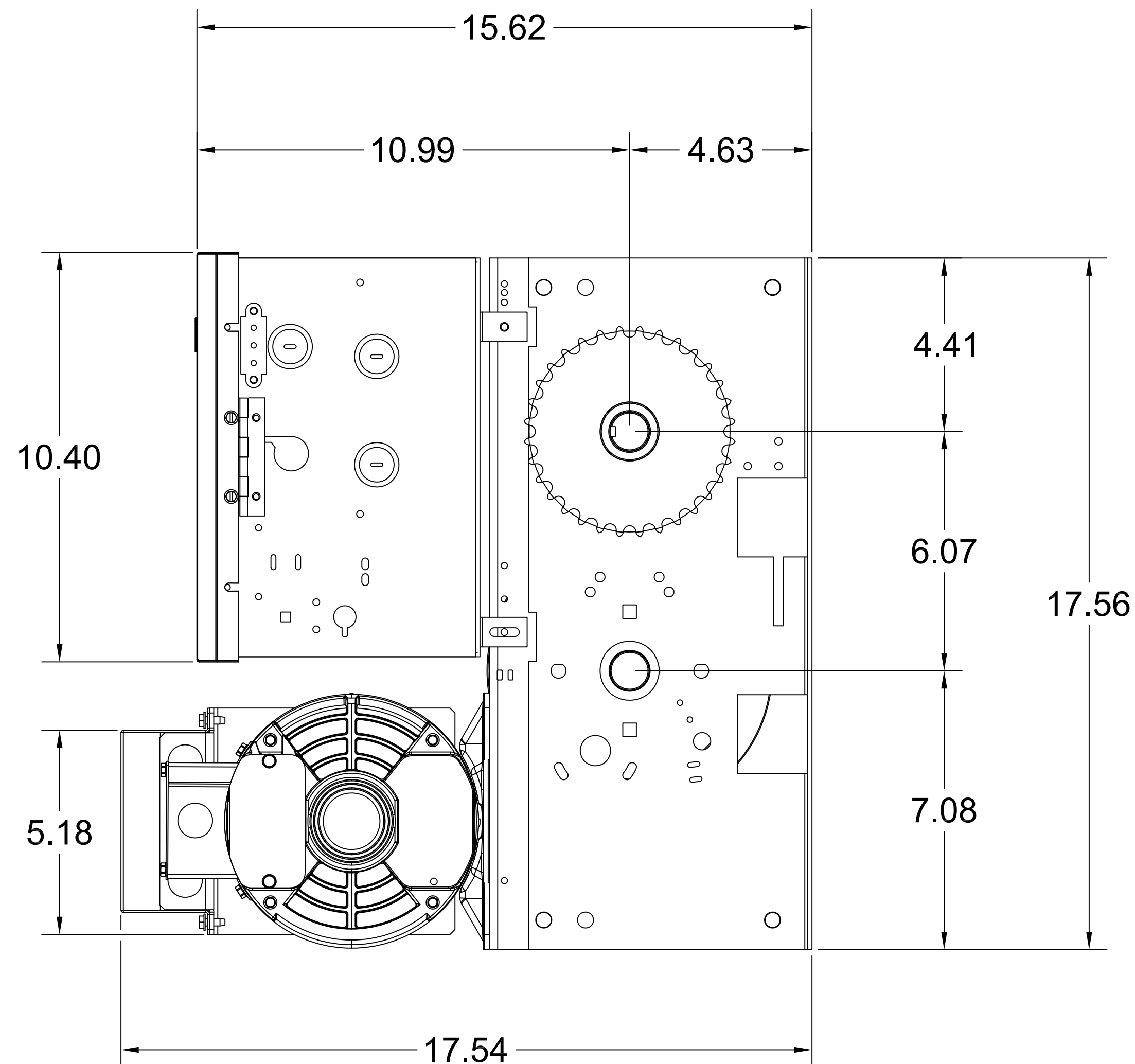


FRONT




RIGHT

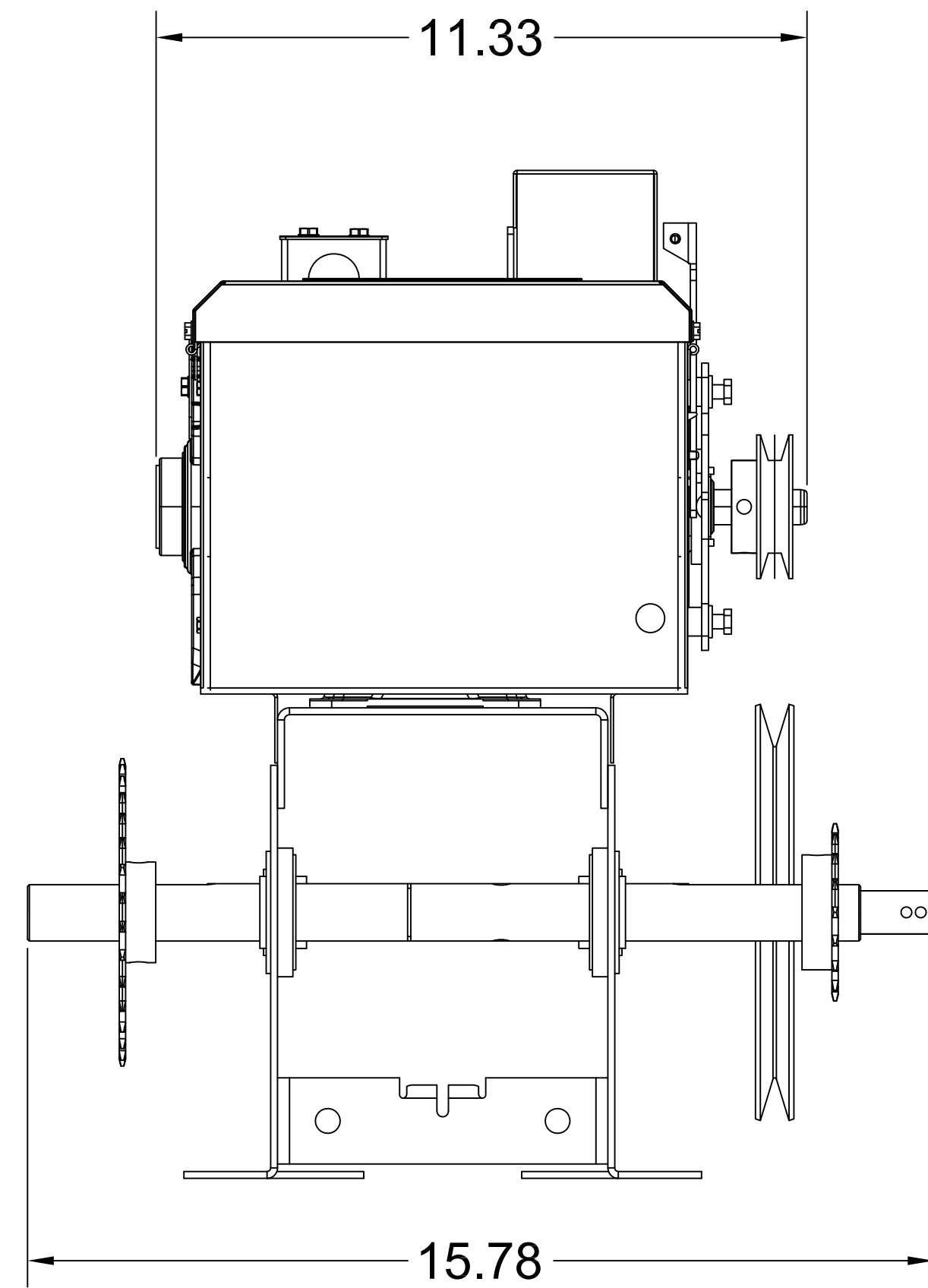
(J) LOGIC 5 OPERATOR

OPERATOR DIMENSION TABLE

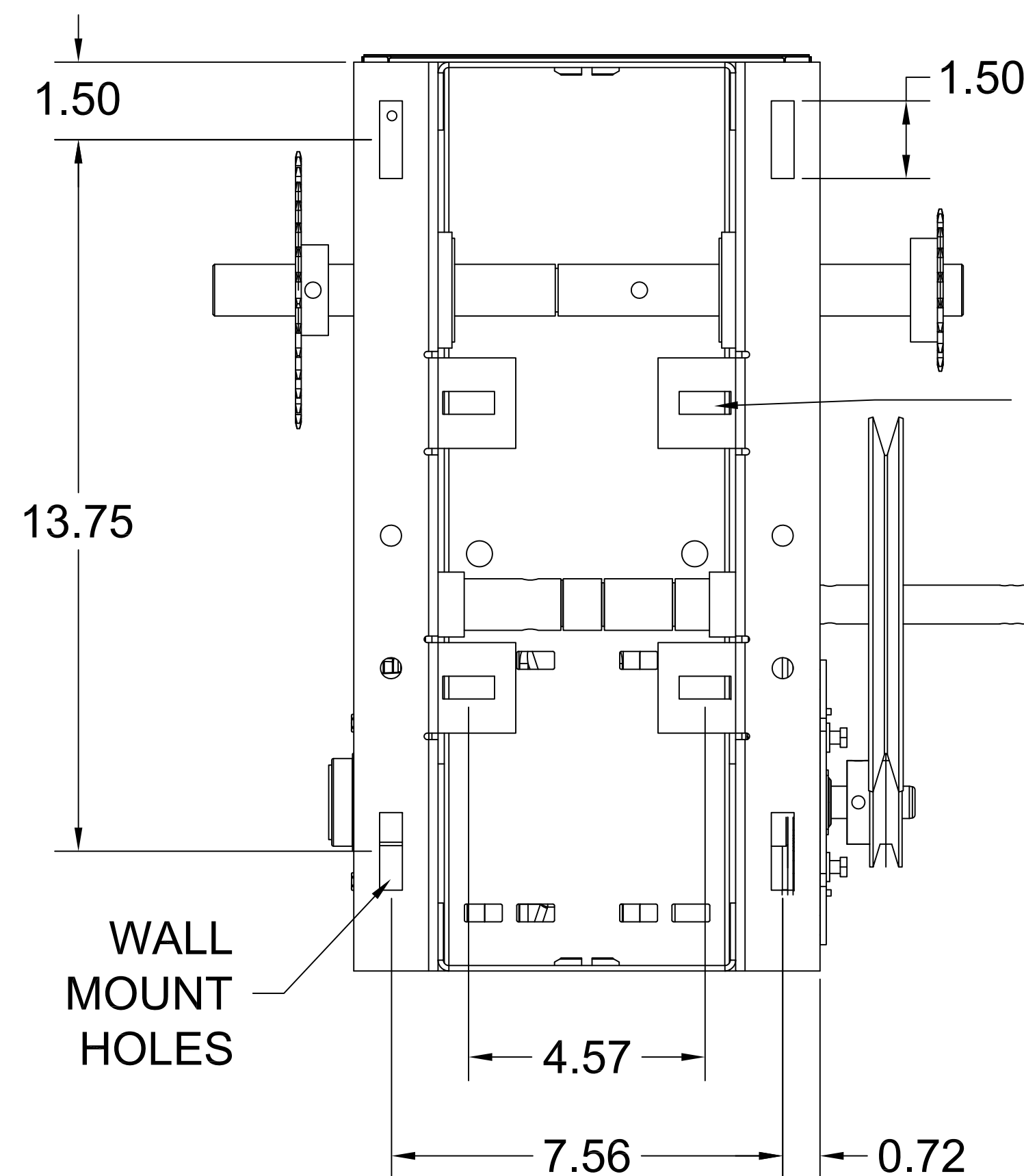
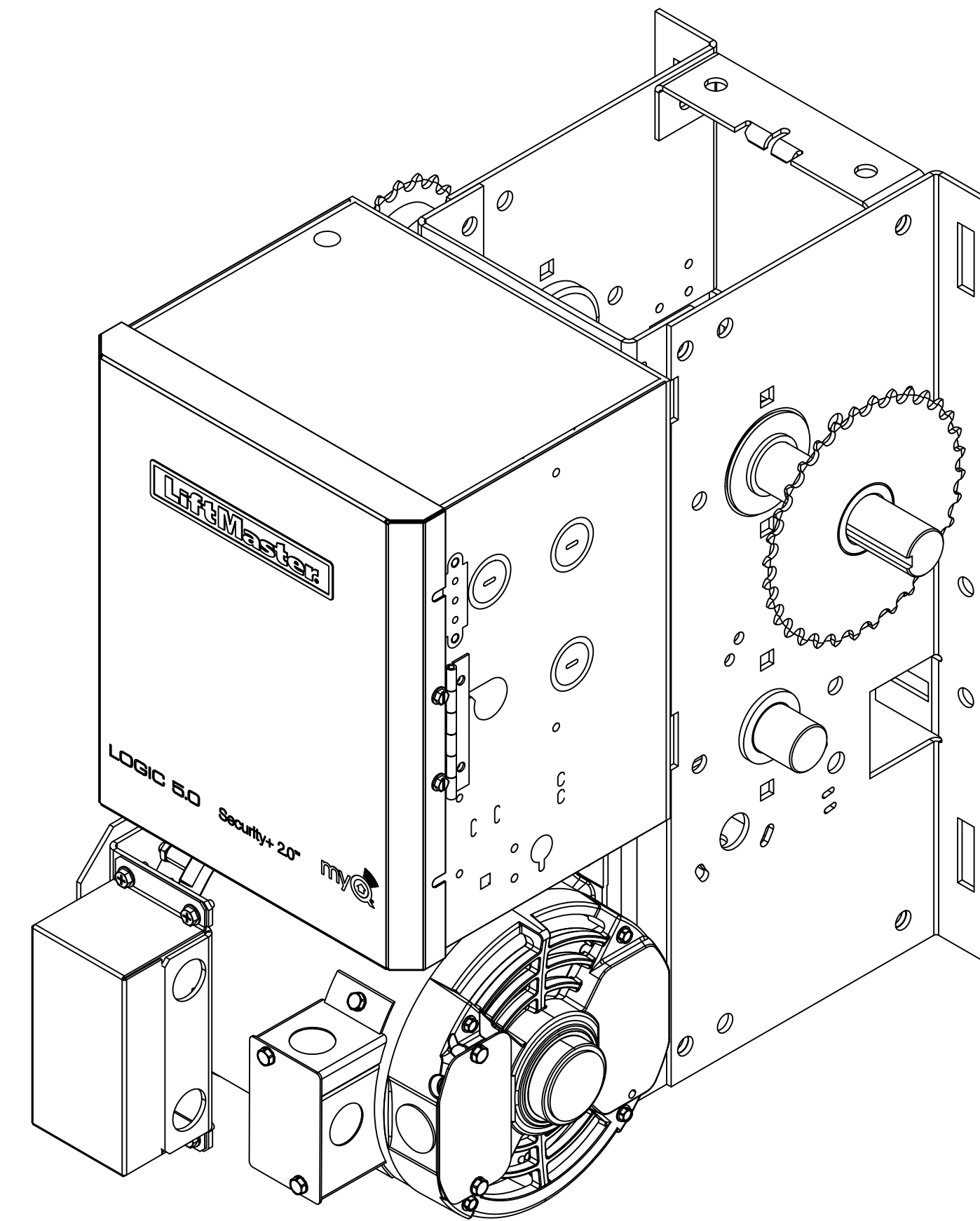
HP	PHASE	DIMENSIONS		
		A	B	C
1/2	1	10-3/4"	16-13/32"	8-7/32"
3/4	1	11-9/32"	16-11/32"	8-5/32"
1	1	11-29/32"	17-1/16"	8-7/8"
1/2	3	11-5/16"	16-7/16"	8-3/16"
3/4	3	11-5/16"	16-13/32"	8-3/16"
1	3	11-5/16"	16-13/32"	8-3/16"
-	-	-	-	-
-	-	-	-	-
-	-	-	-	-

NOTE: DIMENSIONS A,B & C MAY VARY PER MOTOR MANUFACTURER SPECIFICATION REVISIONS AND SPECIAL MODIFICATIONS TO THE OPERATOR.

		300 WINDSOR DR. OAK BROOK, IL 60523 PHONE: (630) 418-6516 FAX: (630) 516-7059
LIFTMASTER (CHAMBERLAIN GROUP, INC.) ENGINEERED SERVICES		
DRW. BY: B. MOFFETT	REVISION:	SHEET NO: <b>1/2</b>
DATE: 10/3/2018	SCALE: NTS	
TITLE: LIFTMASTER (J) OPERATOR UNIT		
CAD FILE: -		



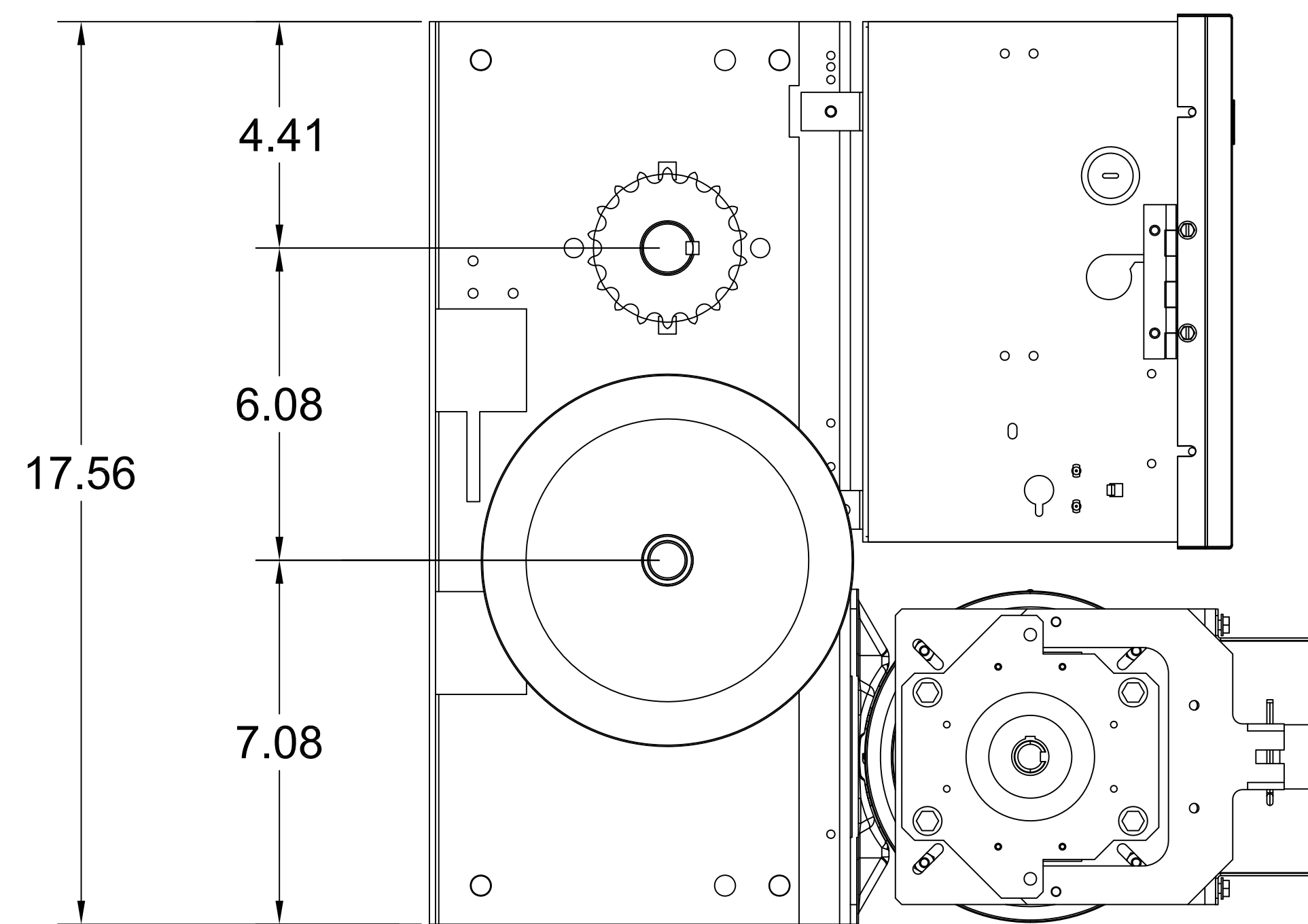
TOP



WALL  
MOUNT  
HOLES

BRACKET  
MOUNT HOLES  
(ROLLING DOOR)  
(4 PLCS.)

BACK



LEFT

(J) LOGIC 5 OPERATOR

**LiftMaster**

LIFTMASTER (CHAMBERLAIN GROUP, INC.)  
ENGINEERED SERVICES

300 WINDSOR DR.  
OAK BROOK, IL 60523  
PHONE: (630) 418-6516  
FAX: (630) 516-7059

DRW. BY: B. MOFFETT

REVISION:

DATE: 10/3/2018

SCALE: NTS

TITLE: LIFTMASTER (J) OPERATOR UNIT

CAD FILE: -

SHEET NO:

**2/2**