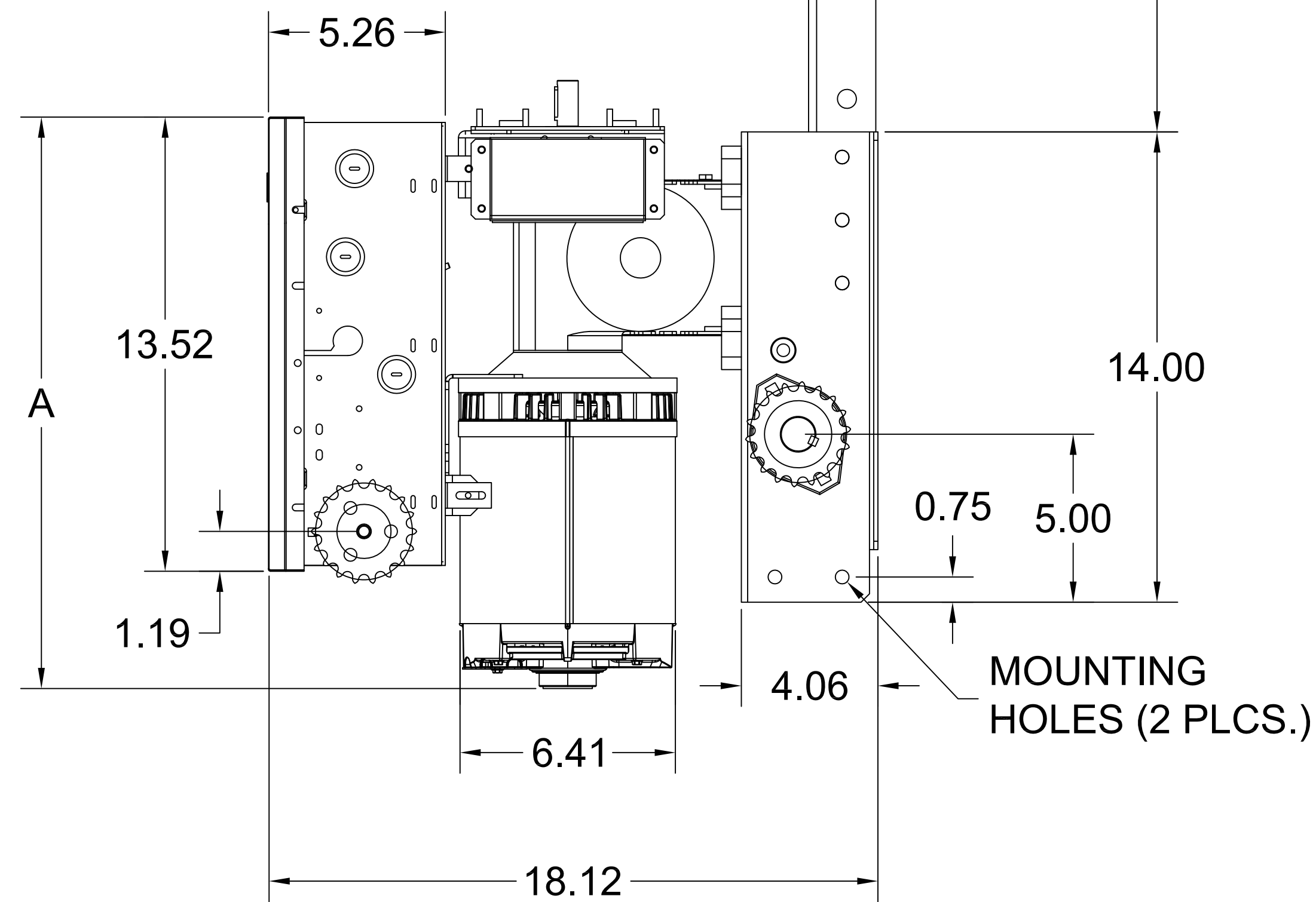
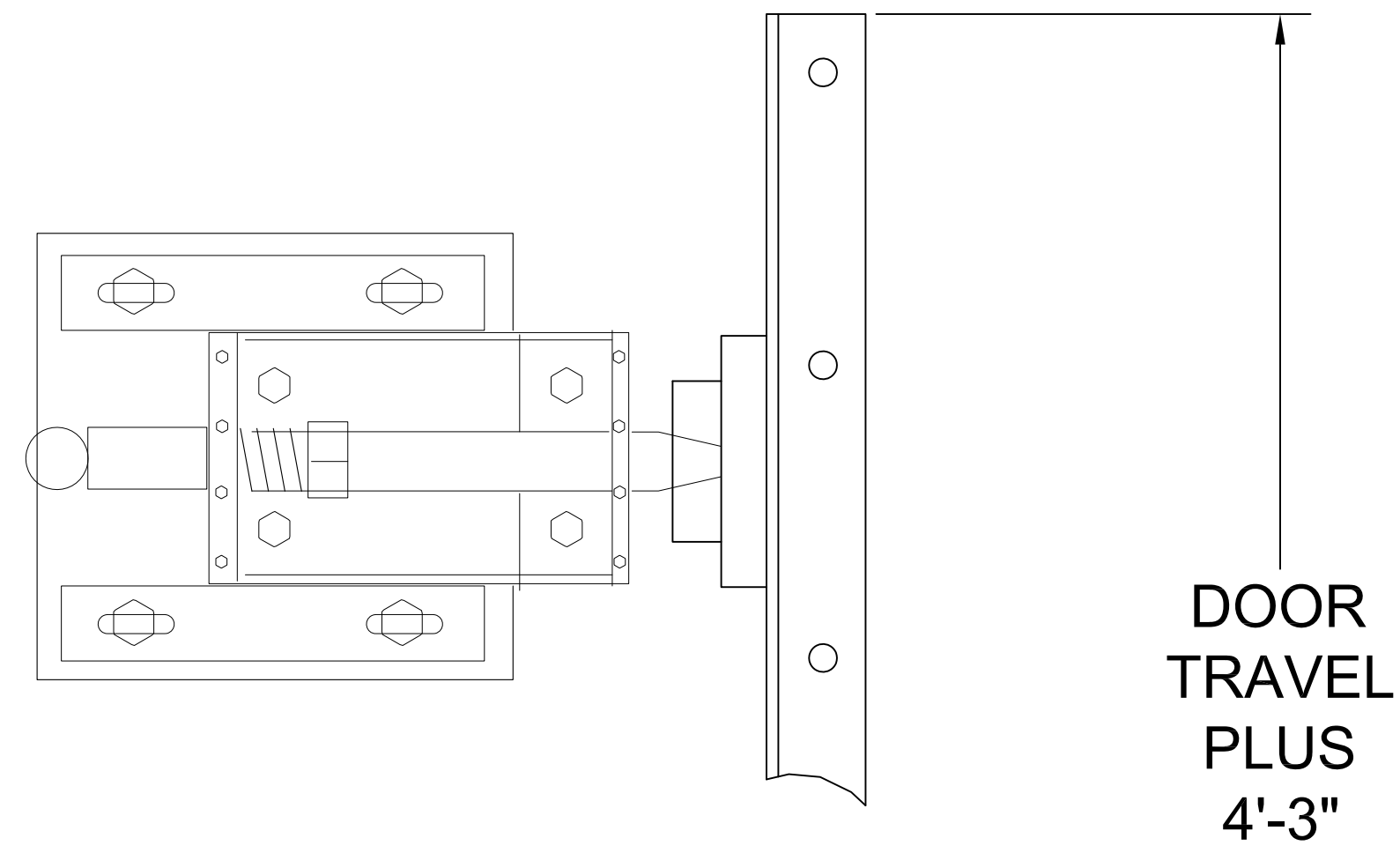


BOTTOM



RIGHT

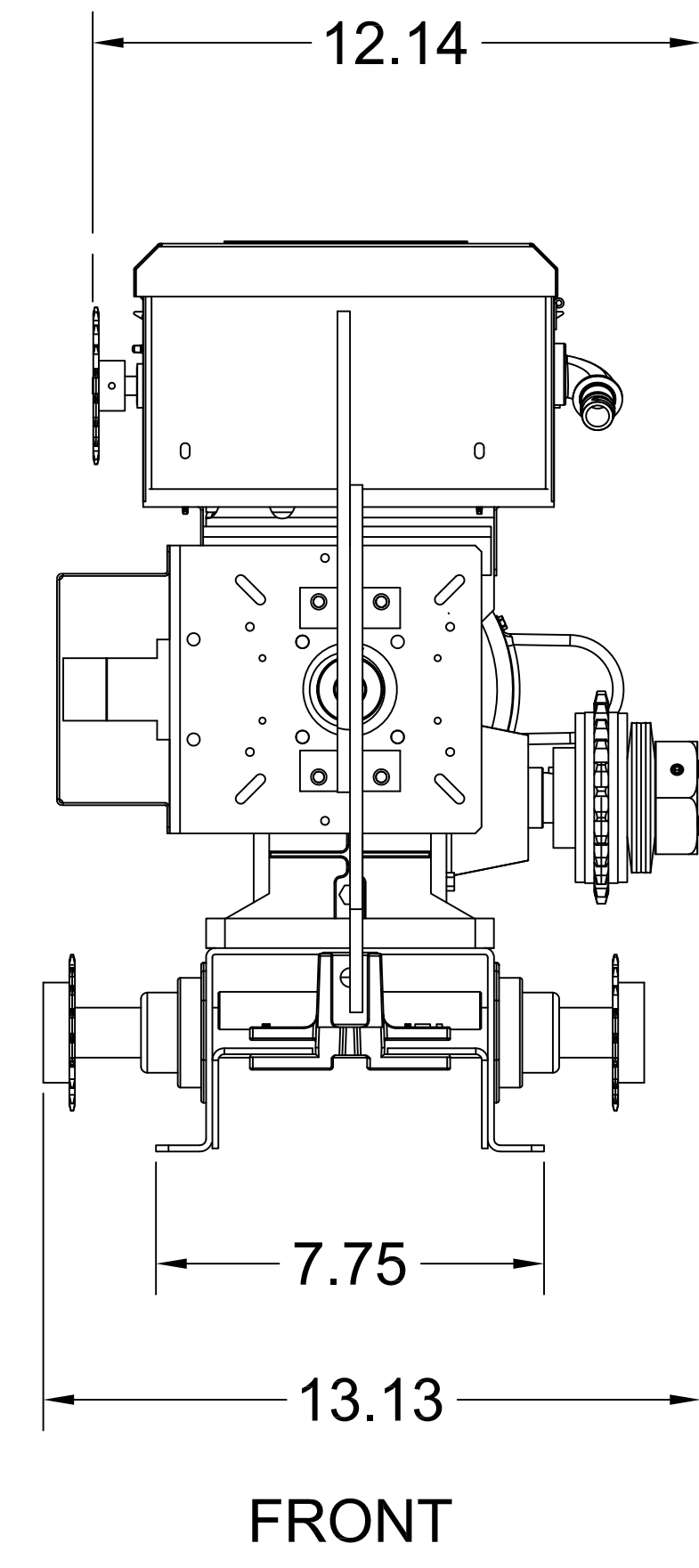
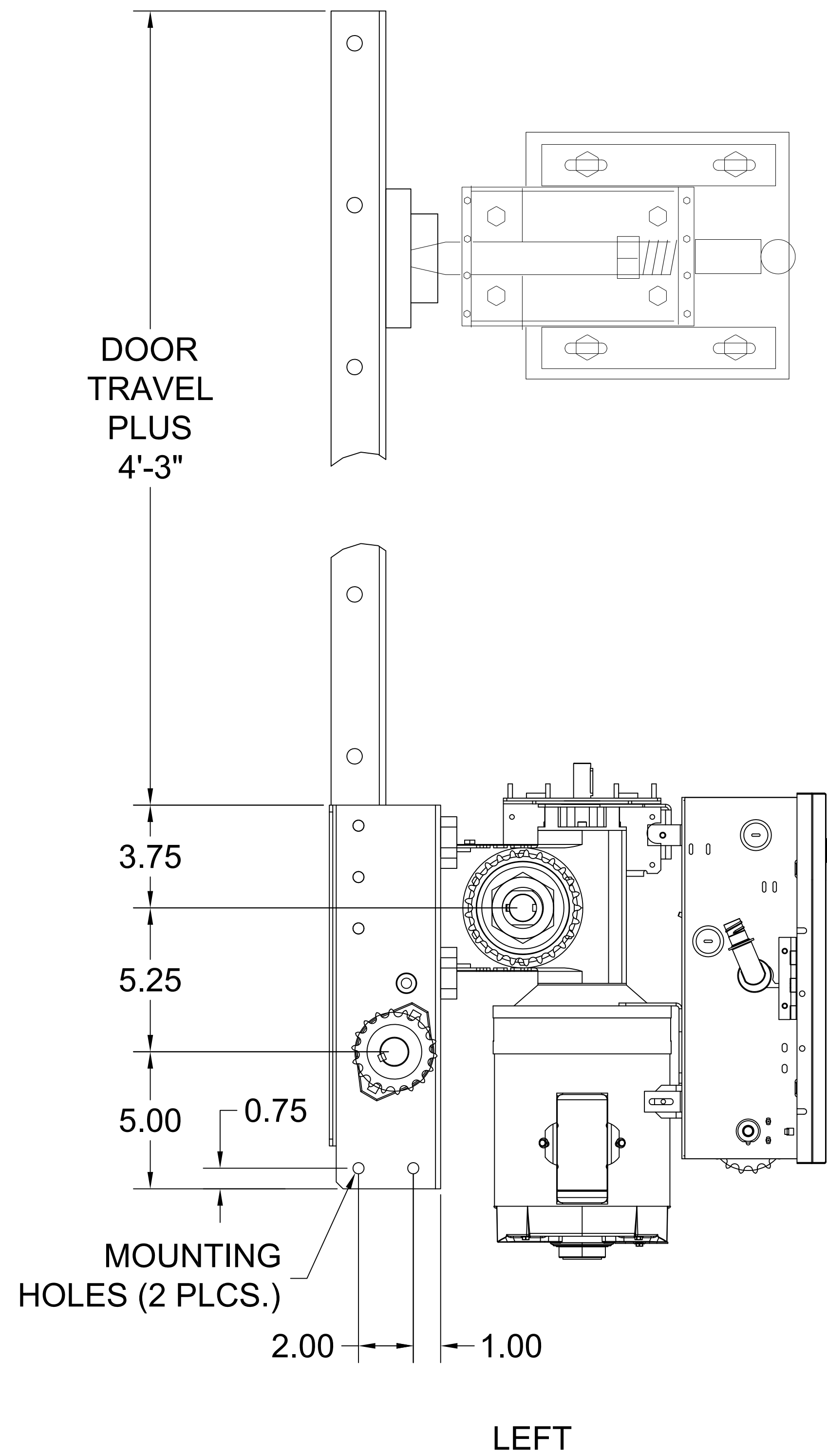
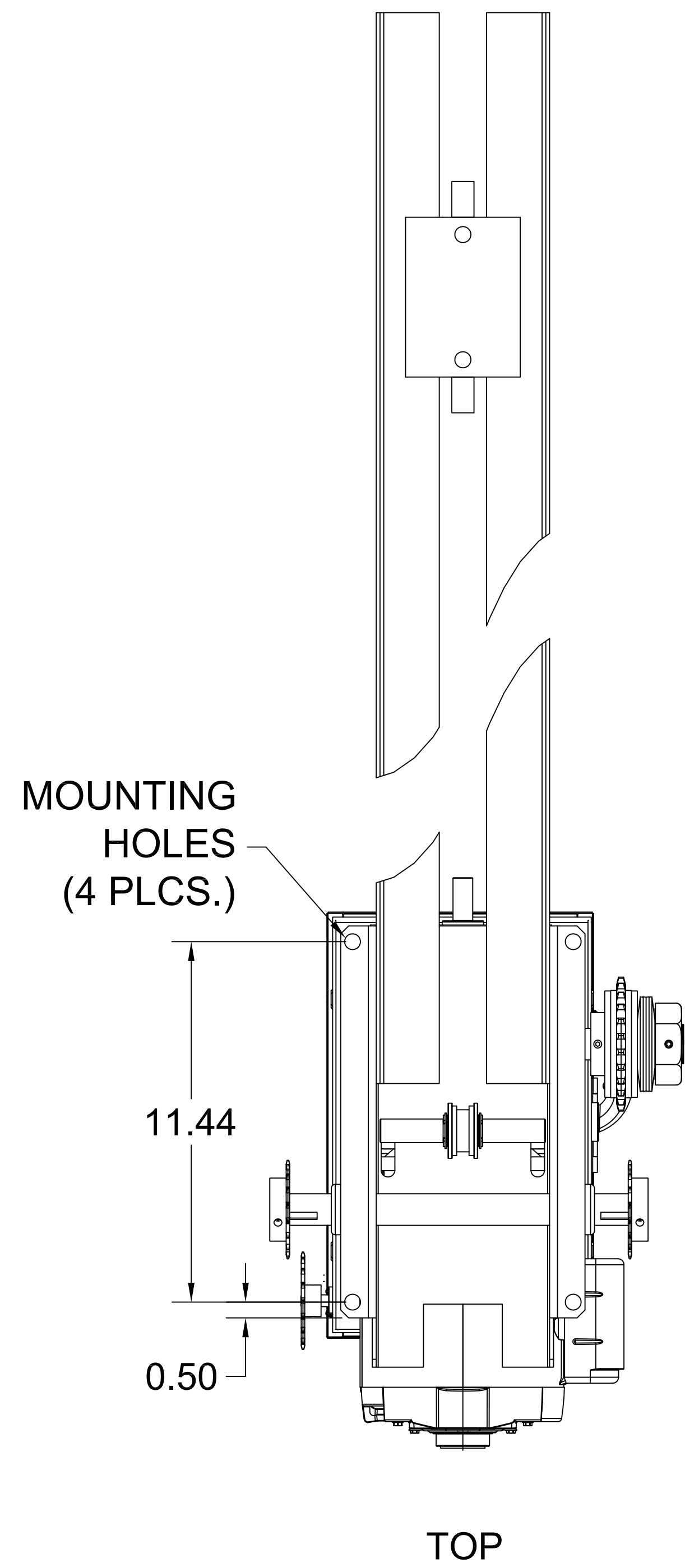
(GSD) LOGIC 5 OPERATOR

OPERATOR DIMENSION TABLE

HP	PHASE	DIMENSIONS			
		A	B	C	D
1/2	1	17-1/16"	7-9/16"	4-11/16"	N/A
3/4	1	17-1/2"	8-1/16"	5-3/16"	N/A
1	1	19-1/16"	9-9/16"	6-11/16"	N/A
1-1/2	1	19-1/16"	9-9/16"	6-11/16"	N/A
1/2	3	17-1/16"	7-9/16"	4-11/16"	N/A
3/4	3	17-1/2"	8-1/16"	5-3/16"	N/A
1	3	18-1/16"	8-9/16"	5-11/16"	N/A
2	3	19-1/2"	10-1/16"	7-3/16"	N/A
-	-	-	-	-	-
-	-	-	-	-	-

NOTE: DIMENSIONS A,B & C MAY VARY PER MOTOR MANUFACTURER SPECIFICATION REVISIONS AND SPECIAL MODIFICATIONS TO THE OPERATOR.

		300 WINDSOR DR. OAK BROOK, IL 60523 PHONE: (630) 418-6516 FAX: (630) 516-7059	
		LIFTMASTER (CHAMBERLAIN GROUP, INC.) ENGINEERED SERVICES	
DRW. BY: B. MOFFETT	REVISION:	SHEET NO: <h1>1/2</h1>	
DATE: 11/27/2018	SCALE: NTS		
TITLE: LIFTMASTER (GSD) OPERATOR UNIT			
CAD FILE: -			



PRELIMINARY  
THIS PRINT IS SUBJECT TO CHANGE  
WITH OUT REVISION

(GSD) LOGIC 5 OPERATOR

		300 WINDSOR DR. OAK BROOK, IL 60523 PHONE: (630) 418-6516 FAX: (630) 516-7059	
		LIFTMASTER (CHAMBERLAIN GROUP, INC.) ENGINEERED SERVICES	
DRW. BY: B. MOFFETT	REVISION:	SHEET NO: <b>2/2</b>	
DATE: 11/27/2018	SCALE: NTS		
TITLE: LIFTMASTER (GSD) OPERATOR UNIT			
CAD FILE: -			