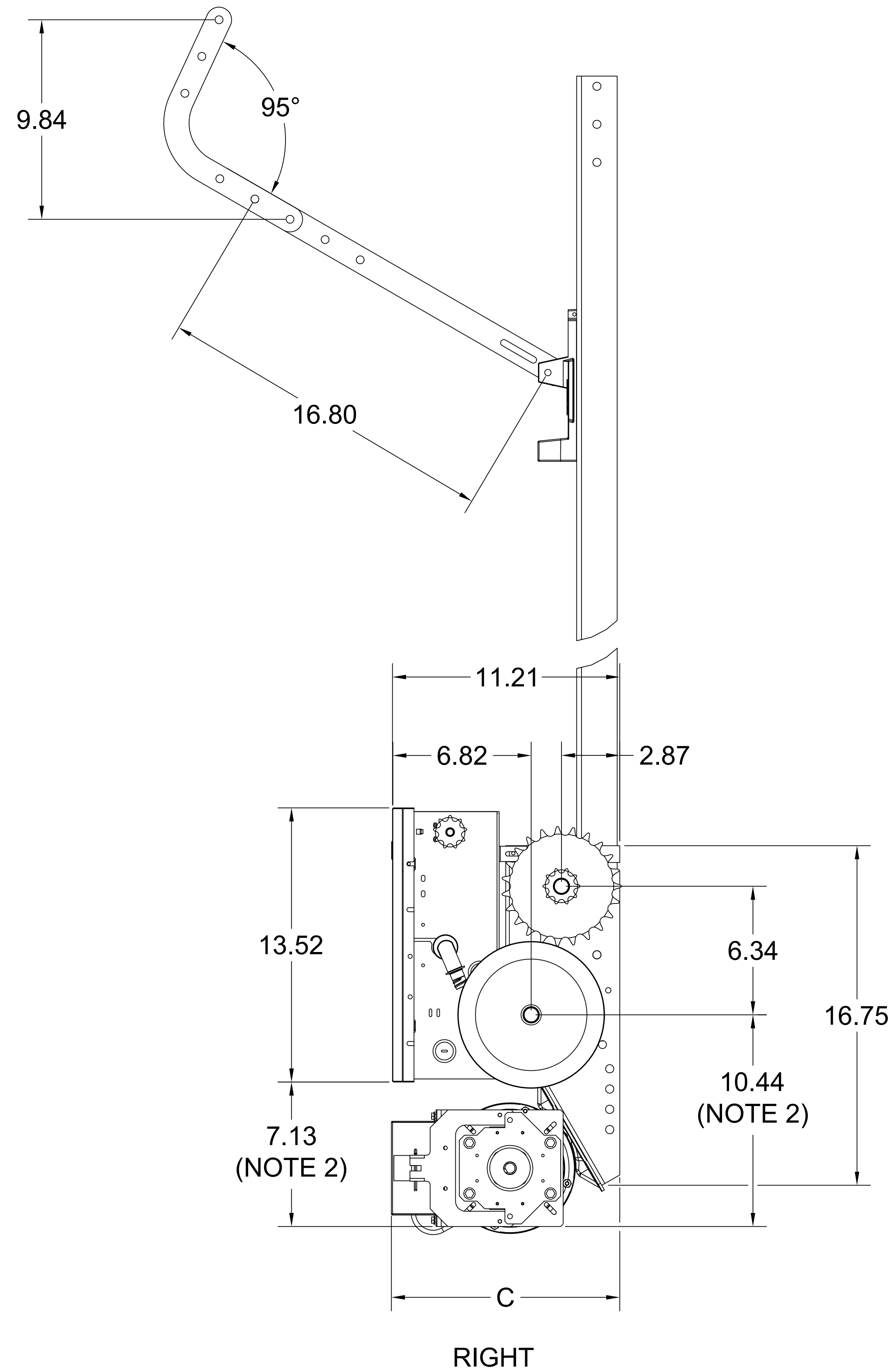
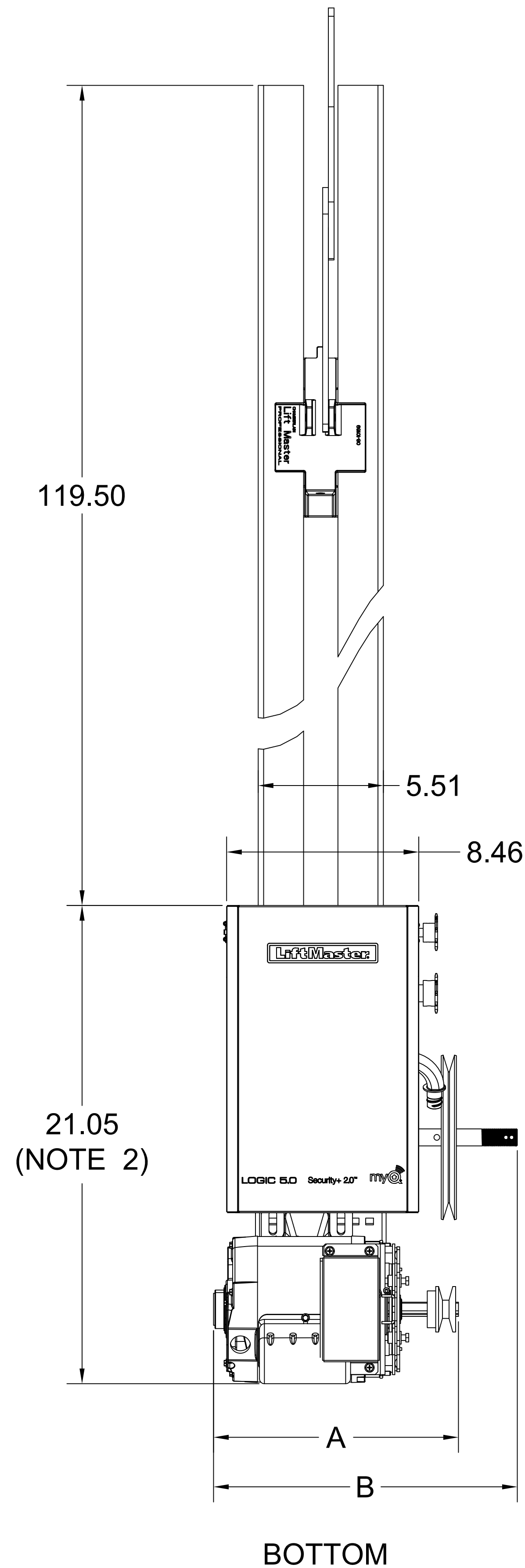


NOTE:
 1. AVAILABLE TRACKS ACCOMMODATE DOORS 7-19 FEET IN HEIGHT.



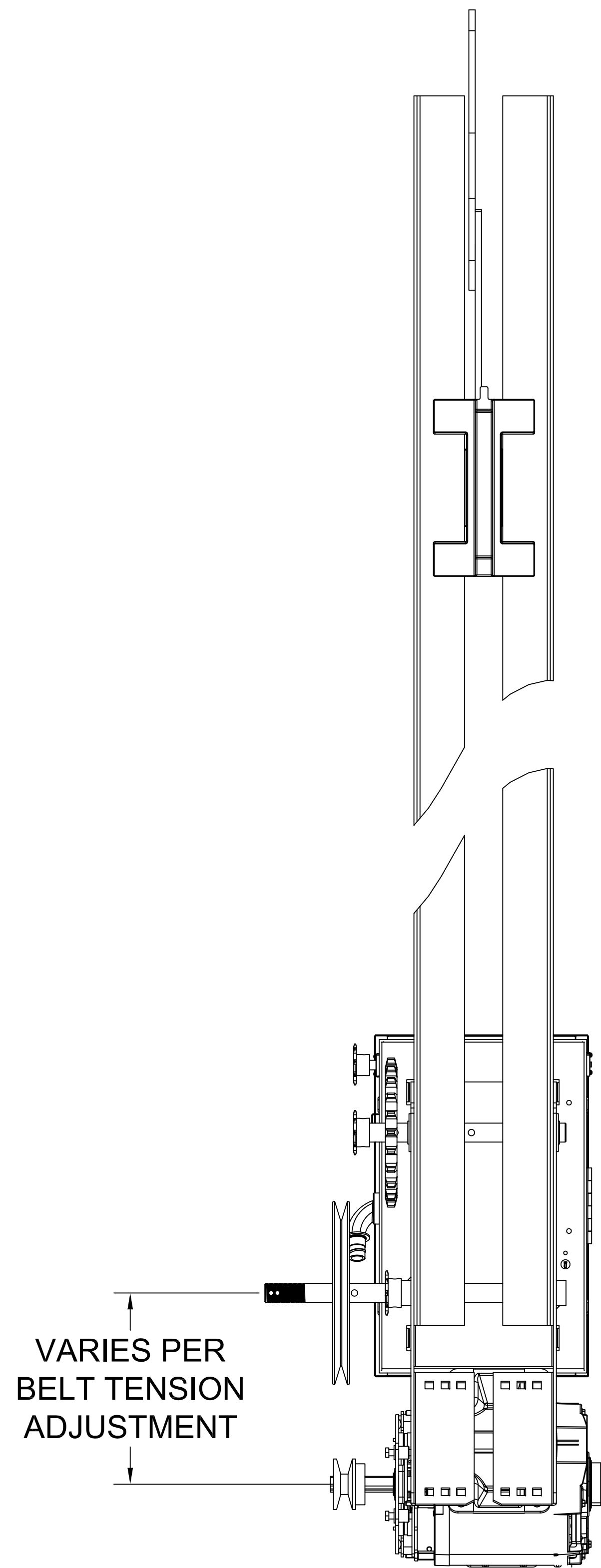
OPERATOR DIMENSION TABLE

HP	PHASE	DIMENSIONS		
		A	B	C
1/2	1	10-3/4"	13-3/8"	(NOTE 2)
3/4	1	11-9/32"	13-27/32"	(NOTE 2)
1	1	11-29/32"	14-15/16"	(NOTE 2)
1/2	3	11-5/16"	13-15/16"	(NOTE 2)
3/4	3	11-5/16"	13-15/16"	(NOTE 2)
1	3	11-5/16"	13-15/16"	(NOTE 2)
-	-	-	-	-
-	-	-	-	-
-	-	-	-	-

NOTES:
 1. DIMENSIONS A,B & C MAY VARY PER MOTOR MANUFACTURER SPECIFICATION REVISIONS AND SPECIAL MODIFICATIONS TO THE OPERATOR.
 2. DIMENSION WILL VARY PER BELT TENSION ADJUSTMENT. APPROX. "C" DIMENSION IS 12 1/4"

(T) LOGIC 5 OPERATOR

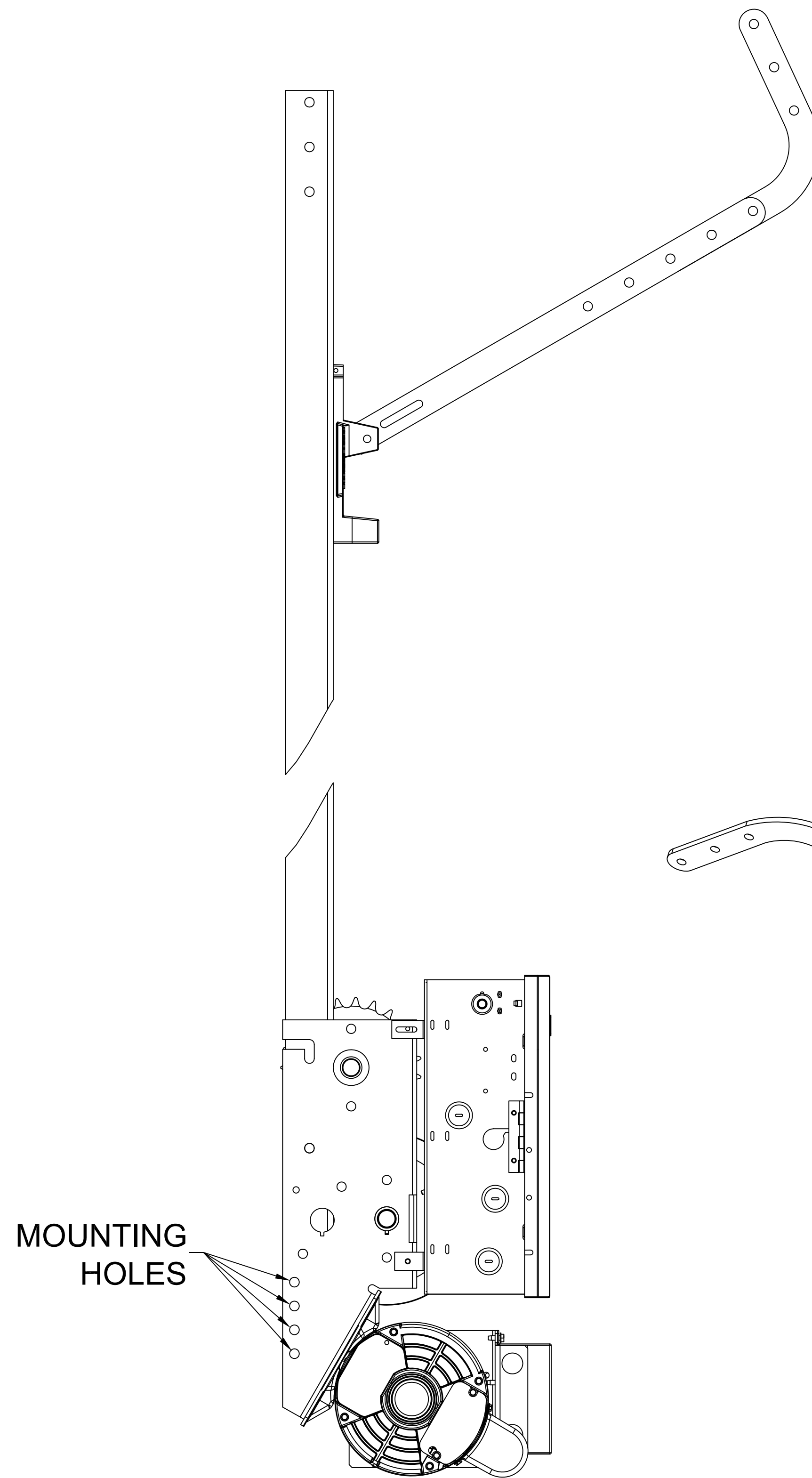
		300 WINDSOR DR. OAK BROOK, IL 60523 PHONE: (630) 418-6516 FAX: (630) 516-7059
DRW. BY: B. MOFFETT	REVISION:	SHEET NO: 1/2
DATE: 10/04/2018	SCALE: NTS	
TITLE: LIFTMASTER (T) OPERATOR UNIT		
CAD FILE: -		



VARIABLES PER
BELT TENSION
ADJUSTMENT

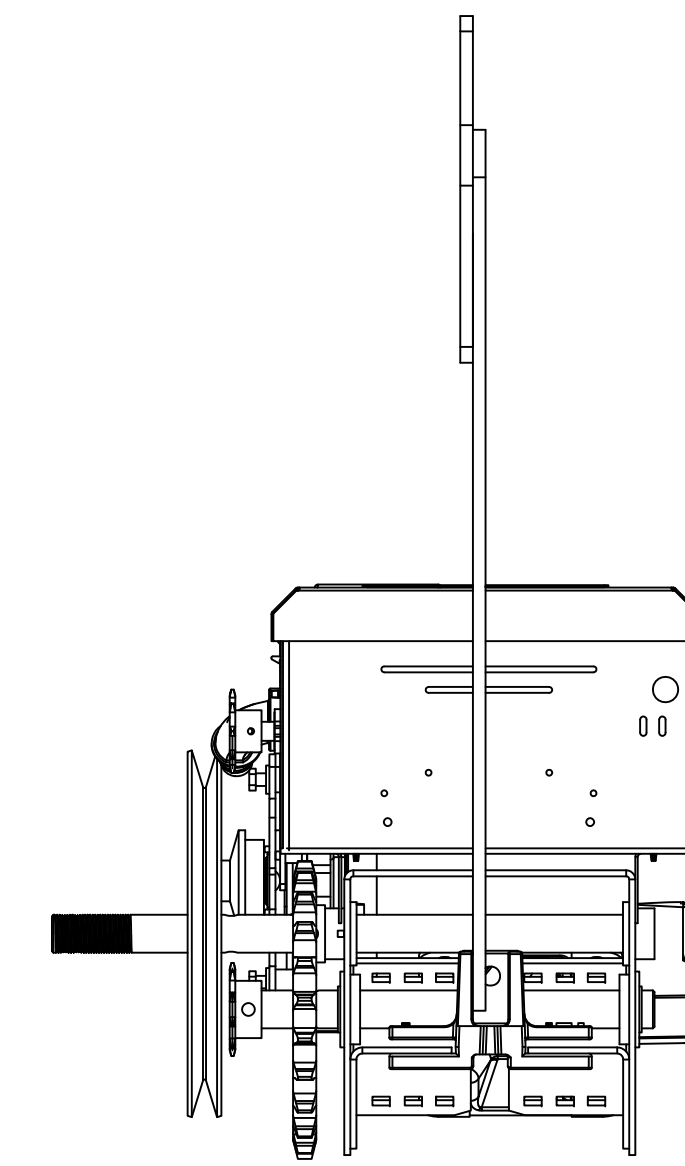
TOP

(T) LOGIC 5 OPERATOR

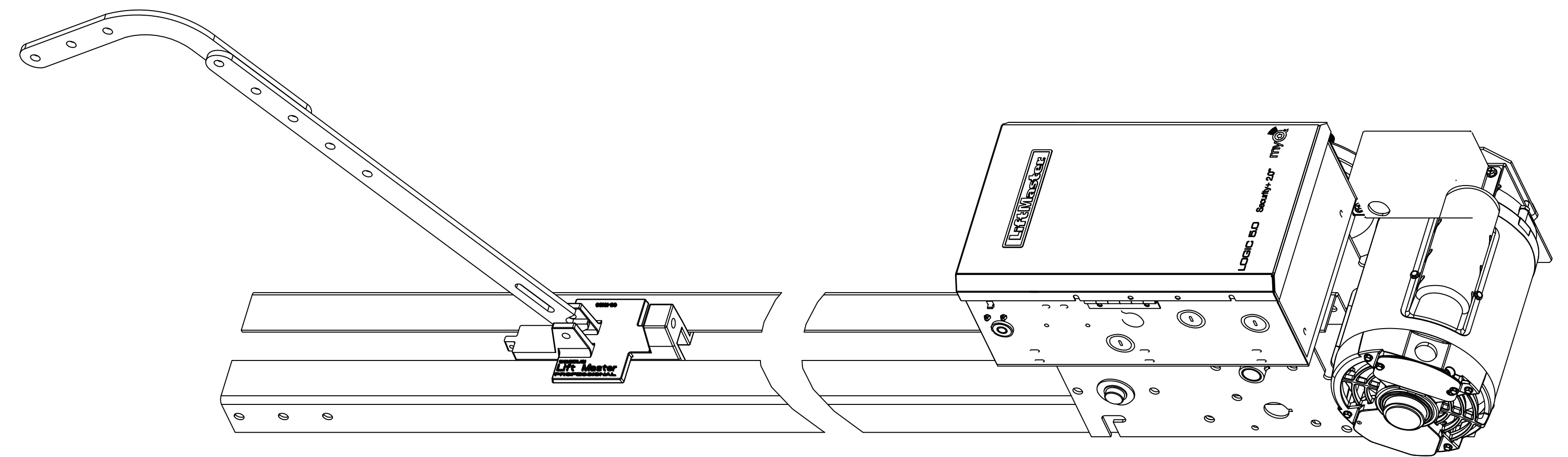


MOUNTING
HOLES

LEFT



FRONT



		300 WINDSOR DR. OAK BROOK, IL 60523 PHONE: (630) 418-6516 FAX: (630) 516-7059
DRW. BY: B. MOFFETT	REVISION:	SHEET NO: 2/2
DATE: 10/04/2018	SCALE: NTS	
TITLE: LIFTMASTER (T) OPERATOR UNIT		
CAD FILE: -		