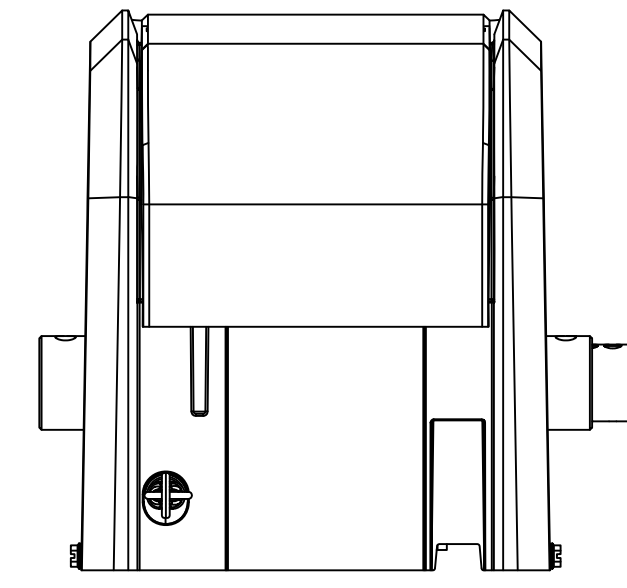
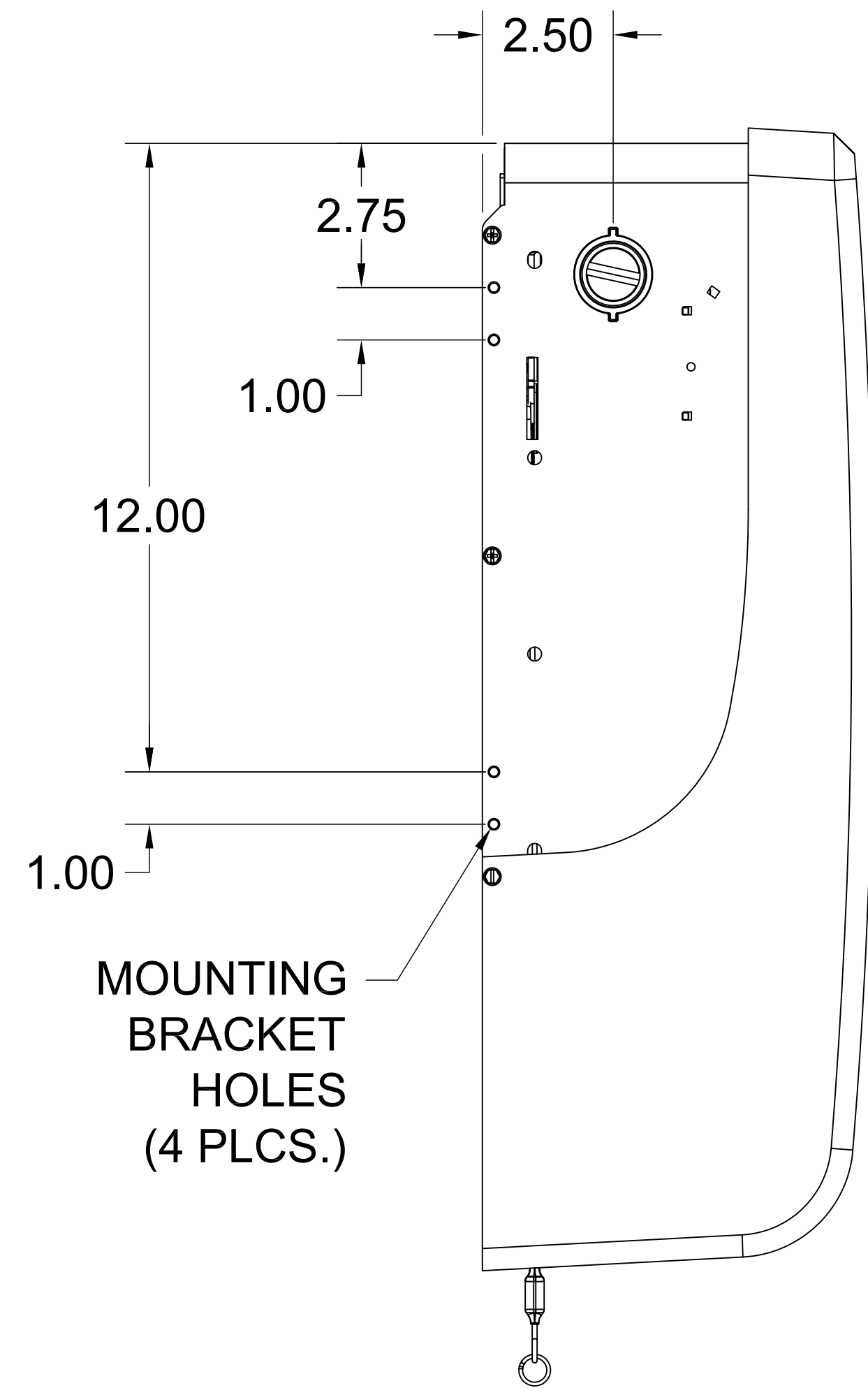


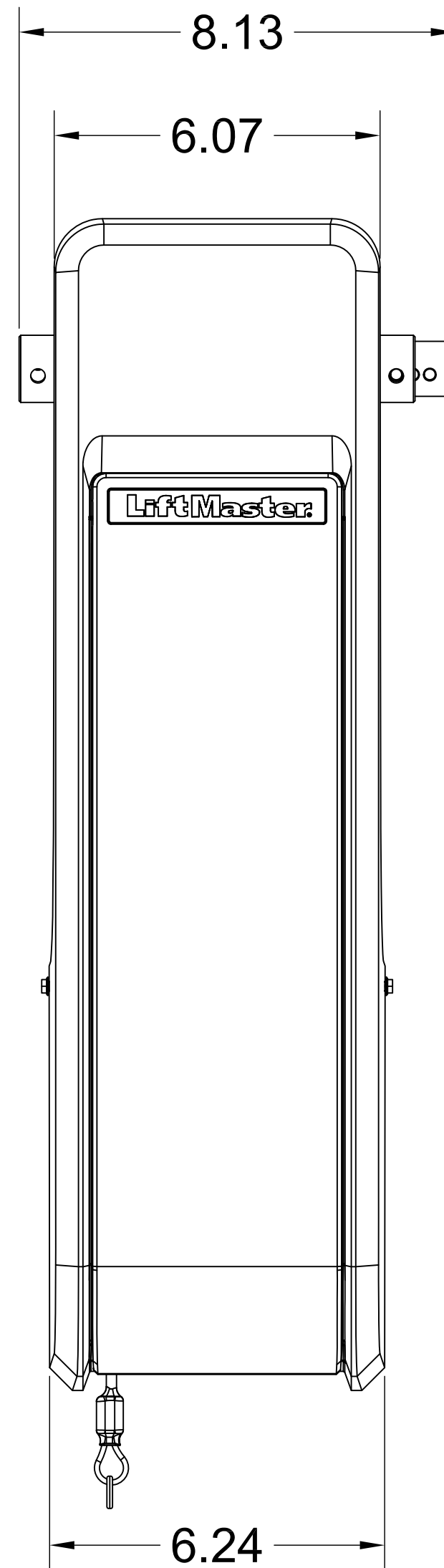
TOP



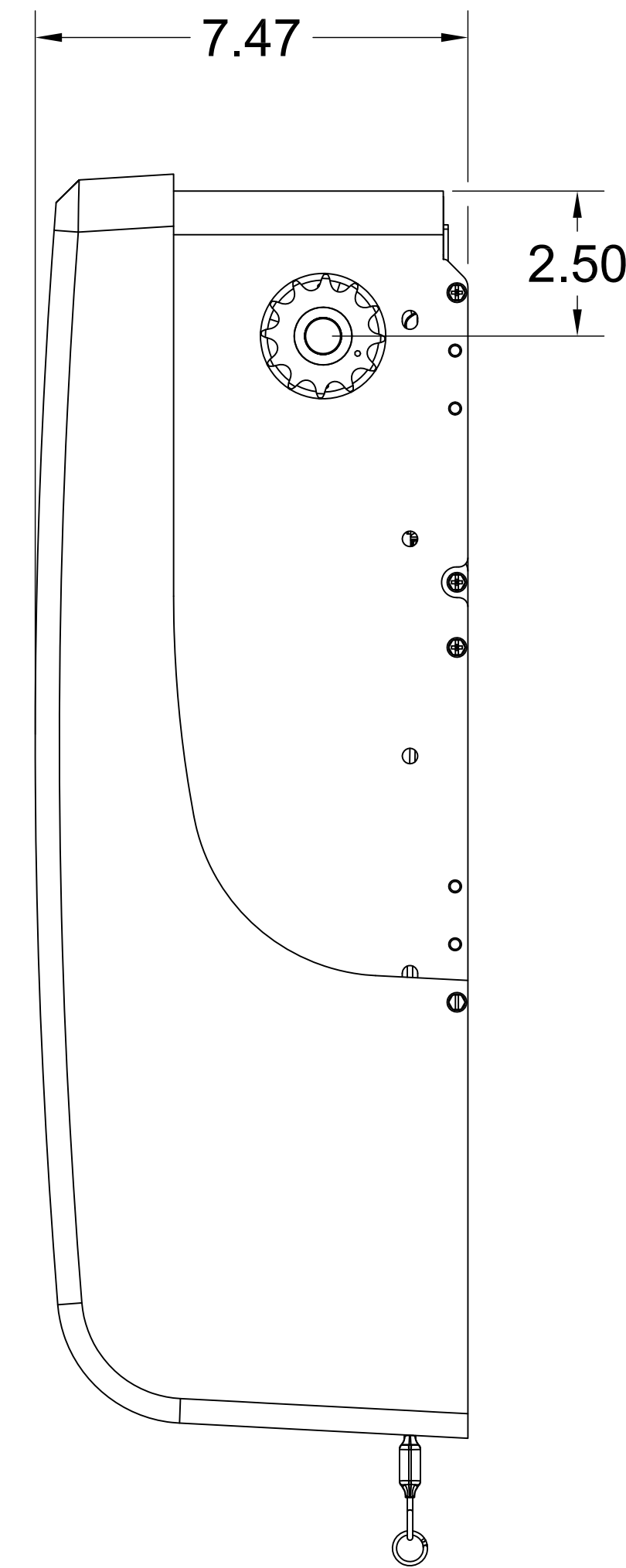
BOTTOM



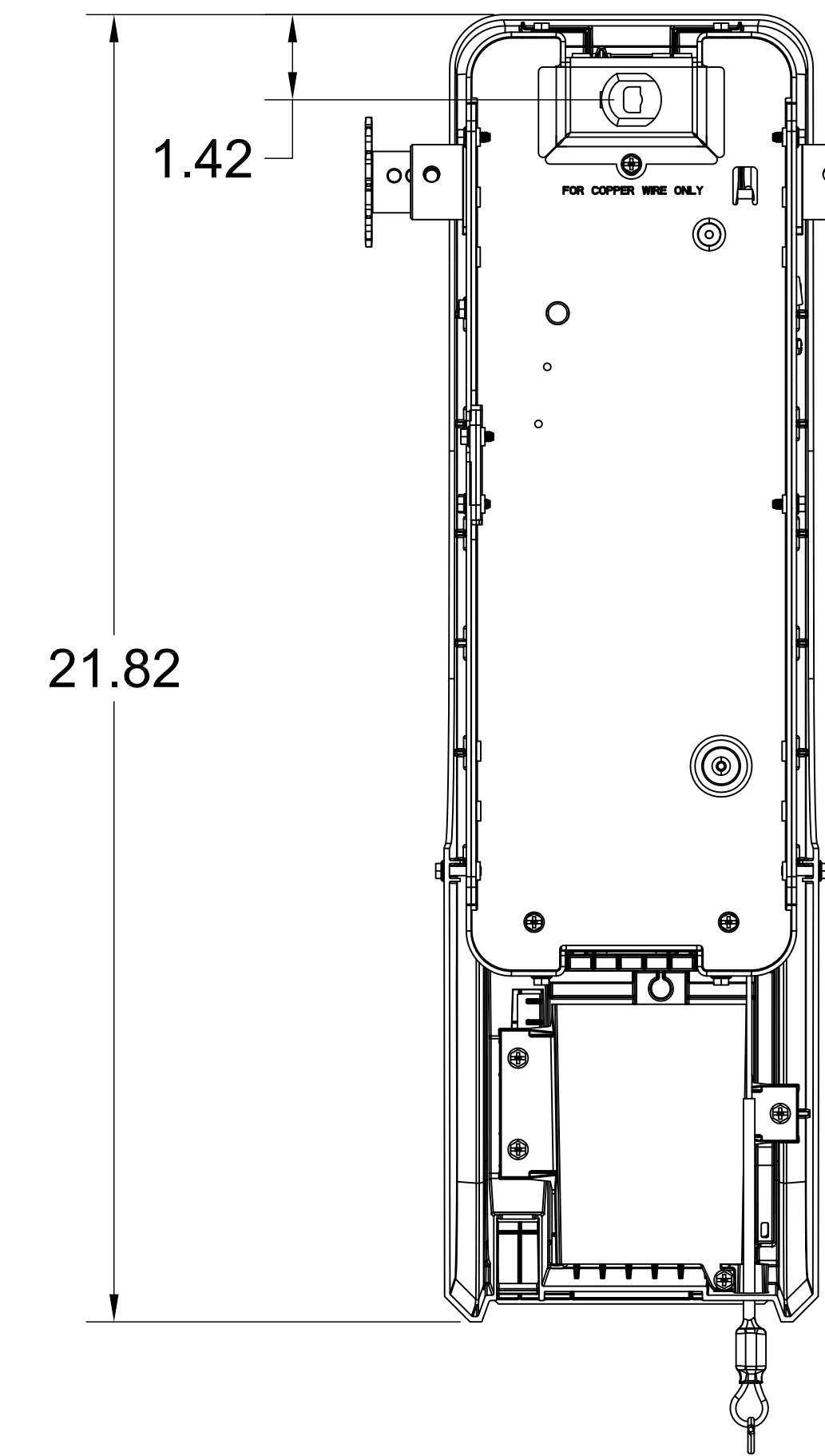
LEFT



FRONT



RIGHT



BACK

(LJ8950W) LIGHT DUTY OPERATOR

		300 WINDSOR DR. OAK BROOK, IL 60523 PHONE: (630) 418-6516 FAX: (630) 516-7059
DRW. BY: B. MOFFETT	REVISION:	SHEET NO: <h1>1/1</h1>
DATE: 12/11/2018	SCALE: NTS	
TITLE: LIFTMASTER (LJ8950W) OPERATOR		
CAD FILE: -		