

GH (LOGIC 5.0) GEARHEAD HOIST OPERATOR

SECTION 08 71 13



KEY FEATURES

STANDARD APPLICATION	Recommended for rolling steel doors and heavy, high or standard-lift sectional overhead doors in heavy-duty, high-cycle commercial applications
RATED DUTY CYCLE	Heavy-duty: Up to 25 cycles/hour and up to 125 cycles/day when distributed over a minimum of 8 hours (using continuous-rated motor)
OPERATOR SPEED	8-9 inches per second
LIMIT SETTINGS	Mechanical
EMERGENCY DISCONNECT FOR MANUAL OPERATION	Floor-level emergency release sash chain
EMERGENCY DISCONNECT WITH AUTO-RECONNECT	Reconnects when tension is removed from emergency release sash chain
PROGRAMMING	Control function selector dial/tactile buttons
CIRCUIT BOARD	Solid-state Logic 5.0 circuit board
TIMER-TO-CLOSE	Programmable in 1 second and 15 second increments up to 68 minutes, standard
CLUTCH	Optional adjustable friction clutch
MID-STOP	Programmable
RUN TIME PROTECTION	Maximum run timer
MOTOR REVERSE ACTION PROTECTION	Delay-on-reverse circuit
MOTOR OPERATOR WALL CONTROL	3-Button Control Station with Maintenance Alert System (MAS)
PUSH BUTTON STATION	3-Push button station (Open/Close/Stop)

SPECIFICATIONS

RADIO RECEIVER	Security+ 2.0® technology standard on-board with tri-band frequency; accepts up to (90) single-button or (30) 3-button remote controls plus up to (30) wireless keypads or an unlimited number of DIP switch remotes
VOLTAGE CONNECTIONS	Single-phase: 115V/230V dual voltage; 3-phase: 208V/230V/460V dual voltage; 3-phase: 575V single voltage
CONTROL CIRCUIT	5VDC NEC class 2
DRIVE REDUCTION	45:1 first-stage heavy-duty gears running in oil bath; cast iron housing; #50 output sprocket chain
BEARINGS/BUSHINGS	Sealed roller bearings in gear reducer
BRAKE	Standard
CONSTRUCTION	NEMA 1 type electrical box; heavy-duty 11-gauge steel frame with durable powder coat finish; all reduction sprockets drilled and pinned to shafts
WARRANTY	2 years

INSTALLATION FEATURES

UNIVERSAL MOUNTING	Up to 2 HP
MAXIMUM DOOR HEIGHT	34 feet standard with additional capability*
MAXIMUM DOOR WIDTH	32 feet standard with additional capability*
MAXIMUM ALLOWABLE SQUARE FOOTAGE	1088 square feet
INTERNET CONNECTIVITY	myQ® Technology enables remote monitoring and control of the commercial door via a smartphone, tablet, or computer**

This commercial door operator must feature constant pressure to close or be equipped with an external monitored entrapment protection device. Use only LiftMaster monitored entrapment protection devices itemized on the accessory page of the operators installation manual to meet UL 325 requirements.

* Contact us at Specs@LiftMaster.com for additional capabilities.

**LiftMaster Internet Gateway and myQ app required.

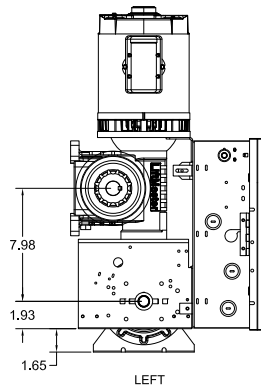
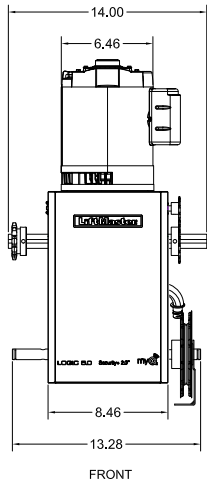
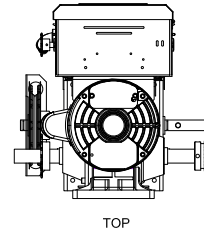
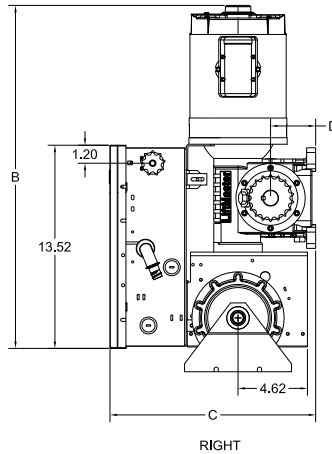
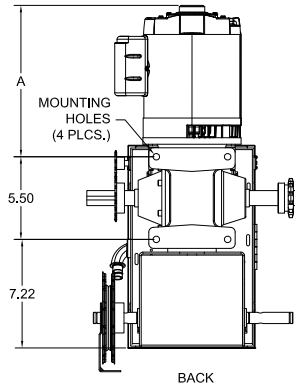
DATA SHEET
GEARHEAD HOIST OPERATOR

LiftMaster

GH (LOGIC 5.0) GEARHEAD HOIST OPERATOR

SECTION 08 71 13

DIMENSIONS



OPERATOR DIMENSION TABLE

HP	PHASE	DIMENSIONS			
		A	B	C	D
1/2	1	10-1/16"	22-13/16"	13-11/16"	3"
3/4	1	10-9/16"	23-5/16"	13-11/16"	3"
1	1	12-1/16"	24-13/16"	13-11/16"	3-1/2"
1-1/2	1	12-1/16"	24-13/16"	14-13/16"	3"
1/2	3	10-1/16"	22-13/16"	13-11/16"	3"
3/4	3	10-9/16"	23-5/16"	13-11/16"	3"
1	3	11-1/16"	23-13/16"	13-11/16"	3"
1-1/2	3	12-1/16"	24-13/16"	14-13/16"	3-1/2"
2	3	12-9/16"	25-5/16"	14-13/16"	3-1/2"

CAPACITY

MAXIMUM DOOR AREA (SQ. FT.)							
ROLLING	24 ga. Steel	22 ga. Steel	—	20 ga. 18 ga. Steel	16 ga. Steel	—	
	Aluminum Grilles	Aluminum Doors	—	Steel Grilles	—	—	
SECTIONAL	—	24 ga. 22 ga. Insulated	20 ga. Steel	—	16 ga. Steel	—	
	Fiberglass	Aluminum Doors	Wood Doors	—	—	—	
	—	—	24 ga. Steel Insulated	—	20 ga. Steel Insulated	16 ga. Steel Insulated	
HP	1/2	325	300	275	250	225	175
	3/4	480	430	390	340	275	225
	1	650	560	500	430	325	300
	1-1/2	—	—	680	540	425	375
	2	—	—	—	640	560	460
3	—	—	—	875	840	620	—
5	Call factory for specifications						—

Notes:

- Dimensions A, B & C may vary per motor manufacturer specification revisions and special modifications to the operator.

On steel insulated doors, a 24-gauge back panel is assumed. If a heavier back panel is supplied, use the next higher HP rating. Recommended max duty cycles: 25 per hour, in excess of 90/day.