

# Ribbon Shredder

## for Security Assurance

### Security Assurance

Protecting personal information is paramount and IDP SMART-BIT shredder is specially designed to ensure the secure destruction of used ID Card Printer Ribbon with personal information.

### Complete Shredding

#### \* Twisted Micro-Cut Technology

With the IDP's Twisted Micro-Cut Technology (Patent pending), SMART-BIT uses unique twist and cut motions to completely shred ID Card Printer ribbon panels into tiny unrecognizable particles.

### Flexible Card Printer Ribbon Compatibility

The SMART-BIT is designed to accommodate the industry's popular brands of direct-to-card printer ribbons.

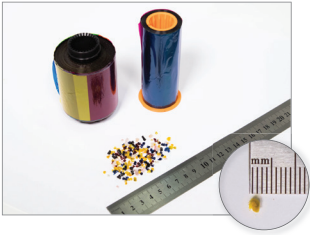
### Compact Easy-to-use Design

SMART-BIT is compact and light weight in design and will easily fit into any office desktop environment. The SMART-BIT's waste bag will ensure complete capture of ribbon particles and simple transfer to a waste bin.



# smartBIT®

**Complete Shredding**



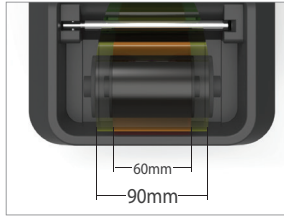
With the IDP's Twisted Micro-Cut Technology, SMART-BIT uses its unique twist and cut motions to completely shred ribbon panels into tiny particles. (\*Patent pending)

**Easy-to-use**



Easy to use interface, and the shredded ribbons can be easily discarded using the SMART-BIT Waste Bag when full.

**Flexible Ribbon Compatibility**



The SMART-BIT will accommodate the industry's popular brands of direct-to-card desktop printer ribbons.

**Compact Design**

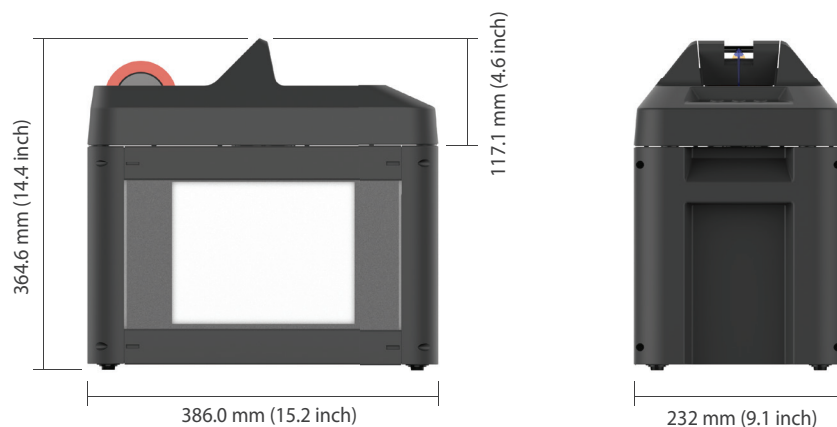


The SMART-BIT is simple to use and has a compact size and light weight design that can easily fit into any office desktop environment.

**Specifications**

Shredable Ribbon Type	Dye-Sublimation Ribbon, Resin & Wax Ribbon
Shredable Ribbon Width	60mm to 90mm (Installable Ribbon Core Width : Max. 120mm)
Installable Ribbon Diameter	Max. Ø80
Shredding Speed	Max. 20 meters/minute
Shredder Bin Capacity	6 Rolls (YMCKO, 250 cards/roll)
Cutting Type	Twisted Micro Cut *Patent pending
Shredded Particle Size	Approx. 2.5mm
Control	Speed (Normal or Fast mode), Start & Stop, Reverse
Auto Stop	Finished Shredding, Ribbon Jam
Interface	4 LEDs, 3 Buttons
Warranty	Approx. 100 km
Power Consumption	DC 24V, 2A
Temperature / Humidity	15~35°C / 35~70%
Dimensions (W x H x L)   Weight	232 x 364.6 x 386 mm / 9.1 x 14.4 x 15.2 inch   Approx. 4.8 kg / 10.6 lbs

**Dimensions**



Specifications and availability may change without notice.

**IDP Corp., Ltd.**

#601, 50, Digital-ro 33-gil, Guro-gu, Seoul, Korea, 08377

T +82-2-6099-3700  
 F +82-2-6099-3717  
 E sales@idp-corp.com

**IDP Middle East**

13F, Jafza View 18, Downtown Jebel Ali P.O.Box 17588, Dubai U.A.E.

T +971-4-889-5900  
 E manupark@idp-corp.com

**IDP Americas, Inc.**

200 Circuit Drive, North Kingstown, RI 02852 U.S.A.

T +1-401-400-7111  
 F +1-401-667-7445  
 E sales.na@idpnorthamerica.com

