

H300C Mortise Mount Magnetic Lock

Magnetic Lock Wiring Instruction

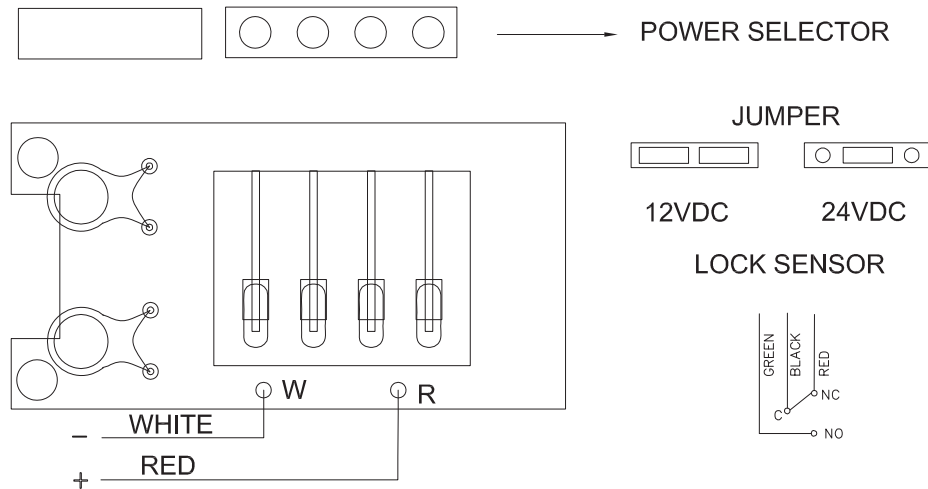
A.12VDC Input:

Connect the ground(-) lead from a 12VDC power source to white wire of PCB.
Connect the positive(+) lead from a 12VDC power source to red wire of PCB.
Check jumper for 12VDC operation.

B.24VDC Input:

Connect the ground(-) lead from a 24VDC power source to white wire of PCB.
Connect the positive(+) lead from a 24VDC power source to red wire of PCB.
Set jumper for 24VDC operation.

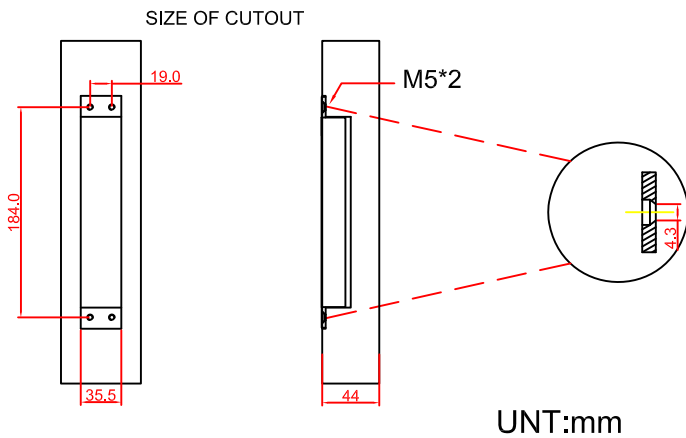
Print Circuit Board Schematic



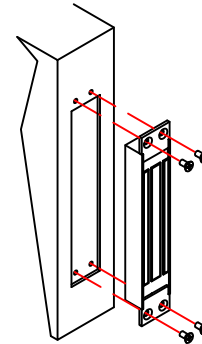
Important: Please Read Before Attempting To Install Magnetic Lock

- Handle the equipment with care, damaging the mating surface of the magnet or armature plate may reduce locking efficiency.
- The magnet mounts rigidly to the door frame, The armature plate mounts to the door with hardware. Kit provided that allows it to pivot about its center to compensate for door in its normally closed position.
- Template use must take place with the door in its normally closed position.
- Before installing, please add the threadlocker to all screws. Firmly tighten the screws to avoid fastening loosen.

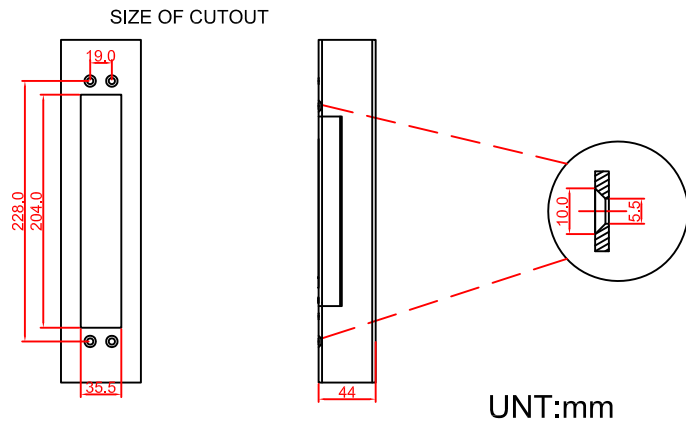
MORTISE MOUNTED



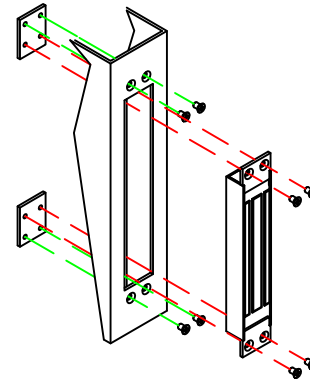
TO FIX WITH SCREWS



(USE FOR MAGNET/SLIDING DOOR-W/O MOUNTING PLATE)

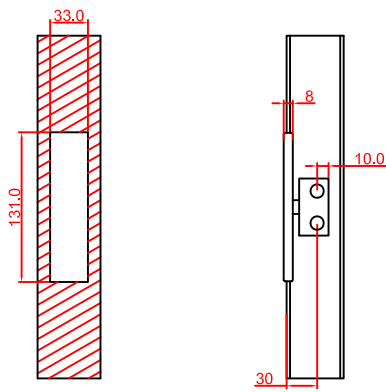


TO FIX WITH SCREWS

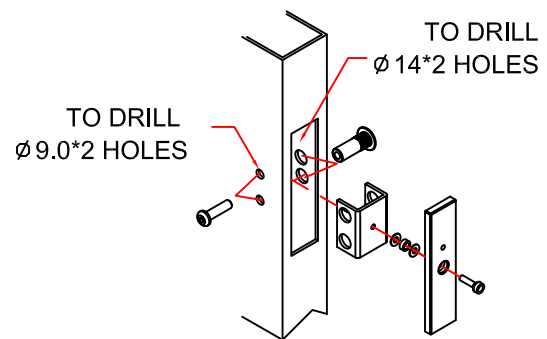


(USE FOR MAGNET/SLIDING DOOR)

SIZE OF CUTOUT



TO FIX WITH SCREWS



(USE FOR ARMATURE PLATE/SLIDING DOOR)

ARMATURE PLATE

★★Important : Fix the armature plate not too tightly, and make the rubber washer more flexible, in order to make the armature plate automatically adjust its proper position with the magnet.