

GCL-J

STANDARD-DUTY JACKSHAFT OPERATOR



The GCL-J is designed for high or full-lift sectional and rolling doors that have a 30-cycle/hour or less duty requirement. Advanced features and robust mechanical design combine to provide a standard-duty operator that sets a new standard for productivity.

UL 325 Listed

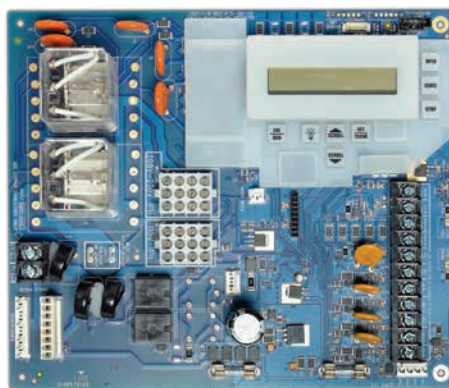
- Allows for monitored entrapment protection and momentary operation when used with select photoeyes and/or edge-sensing devices.
- See back for approved list of monitored devices.

GCL-J Advantages

- MultiVolt® - Order phase specific operator for the job and have the ability to select the right voltage on the job site.
 - Single Phase: 115/208/230 VAC
 - Three Phase: 208/230/460 VAC
 - Three Phase: 575 VAC
- Modular design with optional expansion boards for advanced timer to close, edge sensing and auxiliary output functionality.
- LCD display with intuitive setup menu. Provides real-time status and trouble-shooting assistance.
- Internal receiver with the ability to individually add/delete up to 50 Intellicode® transmitters directly from the LCD display.
- EZ Limit® provides for push to set limits that remain synchronized with door even during long term loss of power.
- TensiBelt® primary drive reduction eliminates need to adjust belt tension.
- Open/close/stop and setup keys included on control board. Keeps all controls near the LCD display convenient for set up.

Standard Features

- EZ Limit® electro-mechanical limits.
- MultiVolt® voltage simplification.
- Max run timer automatically adjusts to up and down run time.
- TensiBelt® primary reduction.
- Delay on reverse.
- 16-character LCD display.
- UL 325 Listed.
- Advanced radio receiver displays and stores activation by transmitter ID number on the LCD screen.
- 3-button control station.
- 2-year/20,000-cycle warranty.
- Programmable mid-stop.
- Pull cord release for emergency manual operation.
- On-board timed close



GCL-J | STANDARD-DUTY JACKSHAFT OPERATOR

MAX DOOR SIZE (SQ*FT) - SECTIONAL

Door Series		Commercial Steel Insulated & Non-Insulated								Thermospan®				ThermoMark™		Aluminum	
		216	216 Ins.	220	220 Ins.	2415	2415 Ins.	2411	2411 Ins.	125	150	200	200-20	5150	5200	451	452
		Flush		Ribbed						Insulated				Insulated			
Model	Max Door Wt. (lbs)	16GA.	16GA. Ins.	20GA. Steel	20GA. Ins.	24GA.	24GA. Ins.	Nominal 24GA.	Nominal 24GA. Ins.	PU-FIP	PU-FIP 1.38"	PU-FIP 2"	PU-FIP 2" 20GA. Ext.	PU-FIP Raised Panel 1.38"	PU-FIP Raised Panel 2"	1/8" Glass 1.38"	1/4" or 1/2" Glass 1.38"
1/2 HP	1120	256	220	370	256	440	340	320	320	256	360	400	300	400	380	360	240
3/4 HP	1370	330	256	440	310	530	400	320	320	256	450	450	370	460	440	400	330
1 HP	1620	380	280	500	370	570	410	320	320	256	480	480	420	500	480	400	400

MAX DOOR SIZE (SQ*FT) - ROLLING

Door Series		Steel Non-Insulated						Steel Insulated			Counter Doors		Grilles	
Model	Max Door Wt. (lbs.)	16GA.	18GA.	20GA.	22GA.	24GA.	26GA.	18GA.	20GA.	22GA.	Aluminum	STL/SST	Aluminum	STL/SST
1/2 HP	998	297	333	333	416	476	476	238	238	274	126	126	350	240
3/4 HP	1220	359	419	419	552	618	N/A	276	276	309	126	126	450	310
1 HP	1440	388	461	461	606	621	N/A	297	296	382	126	126	610	450

- Notes: 1. Max Door Weight and not the square footage, is the critical factor in selecting the proper operator.
 2. Max Door Height 24'
 3. For "Commercial Steel Insulated" category, various "backer" options are available. The chart above is based in all cases on the thickest backer available.
 4. "PU-FIP" stands for "polyurethane, foamed-in-place." If no notation is present, insulation is "polystyrene laid-in-place."

Construction

- Motor**
AC continuous-duty motor. Motor replaceable without changing limits. Thermally protected.
- Drive**
Primary — TensiBelt® auto tensioning poly-V J belt.
Secondary — chain and sprocket reduction.
- Brake**
24 VDC disc brake standard on all models.
- Friction Clutch**
Adjustable clutch to help protect against door and operator damage.
- Precision Radial Ball Bearings**
Included in critical areas throughout the powertrain.
- Emergency Manual Operation**
Pull cord disconnect disengages drive allowing door to be moved manually while maintaining limits.
- Pre-wired to accept:**
 - Monitored entrapment device such as photoeyes.
 - Single or 3-button control stations.
 - External interlock switches.

Accessories and Options

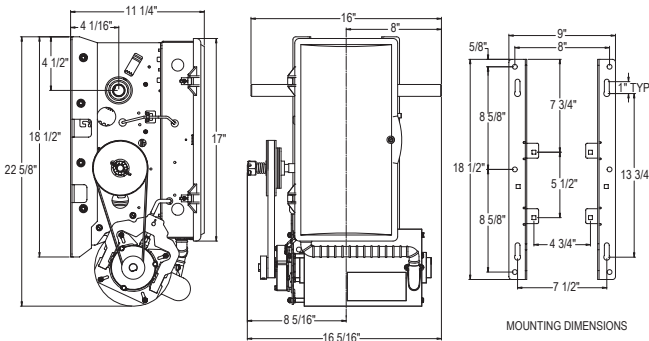
- Timer Close Module (TCM)**
This optional module plugs directly into the control board expansion port providing the operator with an automatic door closing feature with a user selectable time delay, adjustable from one second to five minutes (in increments of one second) using the LCD display. The module also includes pre-close warning output contacts, timer hold input, auxiliary open input, normally closed safety input, and monitored edges input.
- Auxiliary Output Module (AOM)**
Provides relay contacts at the open, close, and mid-stop limits. Contacts for 5-minute lamp, and "ADA" contacts set via LCD display to warn during opening, closing or both.
- Intellicode® Transmitters**
Available in single up to four button, or open/close/stop models.
- Edge Sensing Module**
Input allows connection of a T3 monitored safety edge. When advanced timer close features are required, use the Timer Close Module.
- Environmental Modifications**
Totally enclosed non-ventilated, or fan-cooled motors available - Must be ordered from the factory. NEMA 4 or NEMA 4X environmental modifications - Must be ordered from the factory.
- UL 325 Approved Reversing Devices**

The installation of a monitored external entrapment device is required for momentary contact close operation on all commercial door operators. Only the following devices, when purchased through Genie, are UL 325 Listed for use to meet this requirement:

- Safe-T-Beam® Photoeye Kit with adjustable bracket P/N 38176R.S¹
- Impact-protected Commercial Photoeye Kit P/N OPAKPE2.S
- MillerEdge ME/MT/CPT (DC or T3) 2-wire edge sensor. Must be used with TCM (OPABTCGX.S), ESM (OPABEIX.S), or Interface Module (OPAKMEIGX.S).
- NEMA 4X Photoeyes P/N OPAKPEN4GX.S
- Light Curtain 3 ft. length P/N OPAKMLC3.S, or 6 ft. length P/N OPAKMLC6.S

¹ — Default device when operator is ordered.

AMPERAGE RATING - 60Hz							
HP	115V 1Ø	208V 1Ø	230V 1Ø	208V 3Ø	230V 3Ø	460V 3Ø	575V 3Ø
1/2	10	5	5	3	3	3	2
3/4	11	6	6	3	4	3	2
1	14	7	7	4	4	3	2



YOUR GENIE PROFESSIONAL DEALER:



The Genie Company, One Door Drive, Mt. Hope, Ohio 44660

www.geniecompany.com/commercial | 1.800.843.4084

Item G001.0073 (Rev. 3/22) 325 03/22 JAR

© 2022 The Genie Company. Genie and the Genie logo are registered trademarks of GMI Holdings, Inc., d/b/a The Genie Company. Consistent with our policy of continuing product improvement, we reserve the right to change product specifications without notice or obligation.