

Transmitter - Three Button



Part Number: 41538T

Description

Three button dual-frequency cycling transmitter

Features

Rolling Code
315 & 390 MHz
LED activates on button press with audible click
Model number: G3BT-P

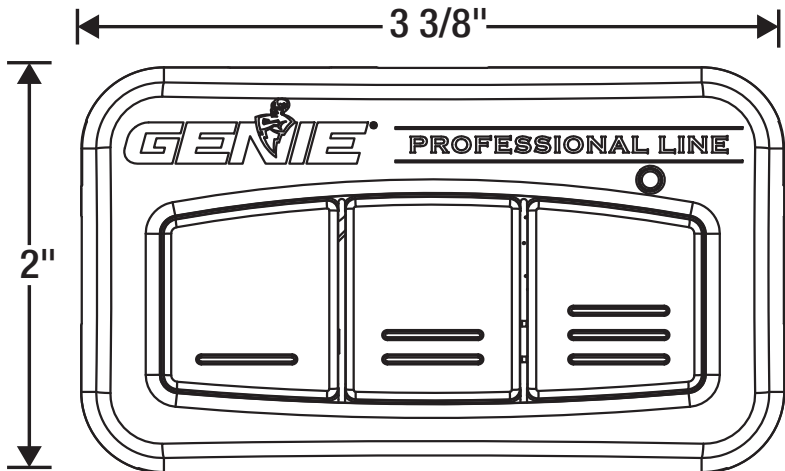
Specifications

CR2032 Battery

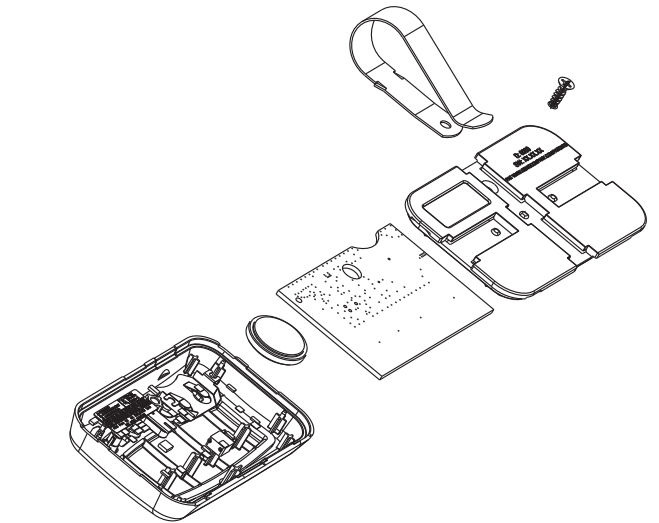
Agency Approvals

FCC Certified

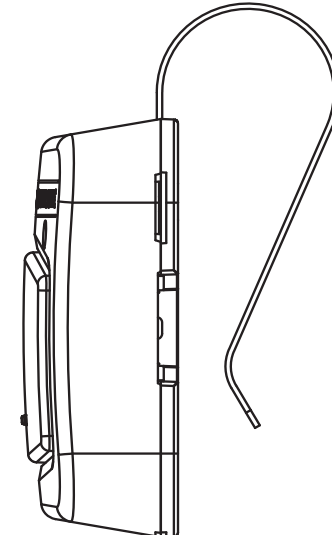
Technical Drawings



Assembly Information



1 1/2"



3/4"

