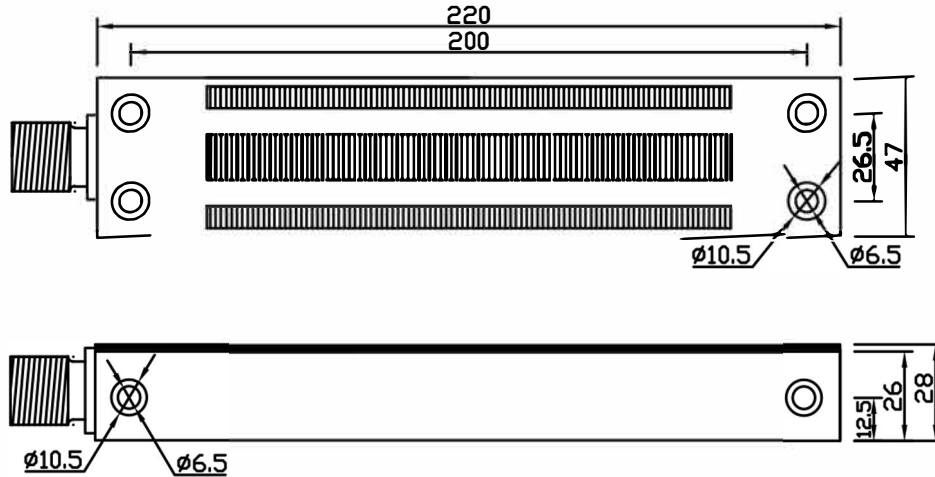


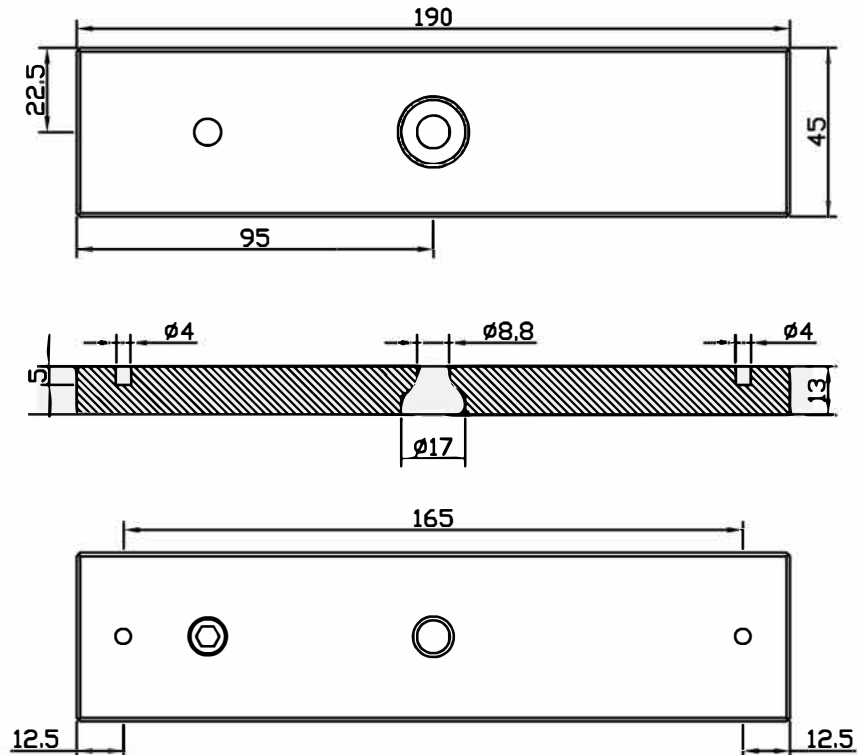


## FAS-OUT600 Waterproof Outdoor Magnetic Lock User's Manual

Magnetic lock dimension drawing

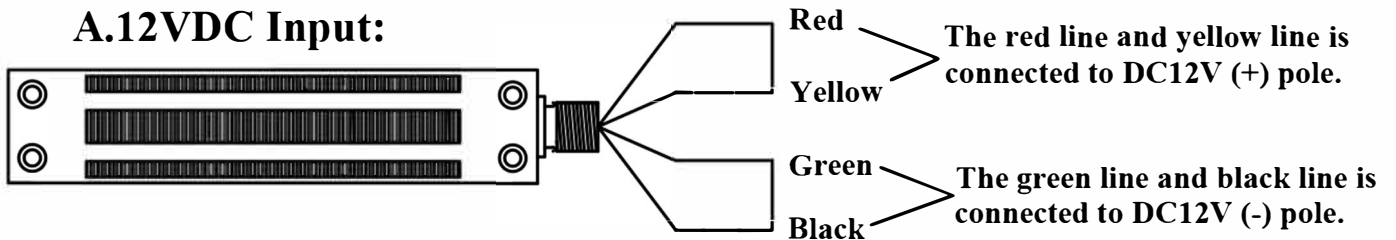


Adsorption board size chart

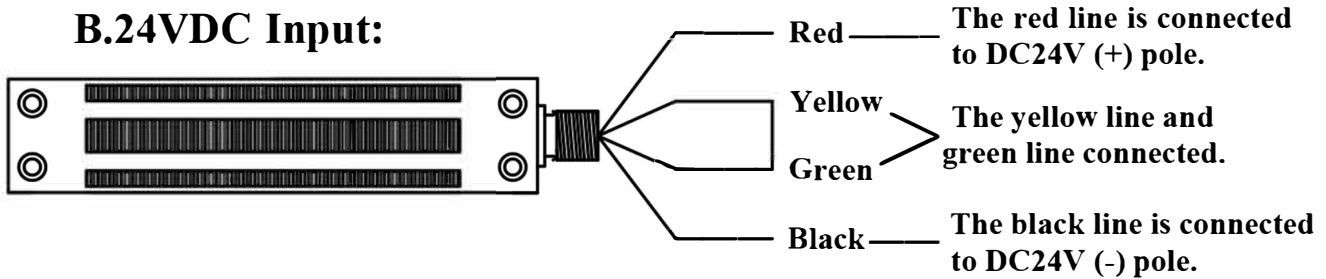


<b>Operating Voltage:</b>	<b>DC12V</b>	<b>DC24V</b>
<b>Operating Current:</b>	<b>500mA</b>	<b>250mA</b>

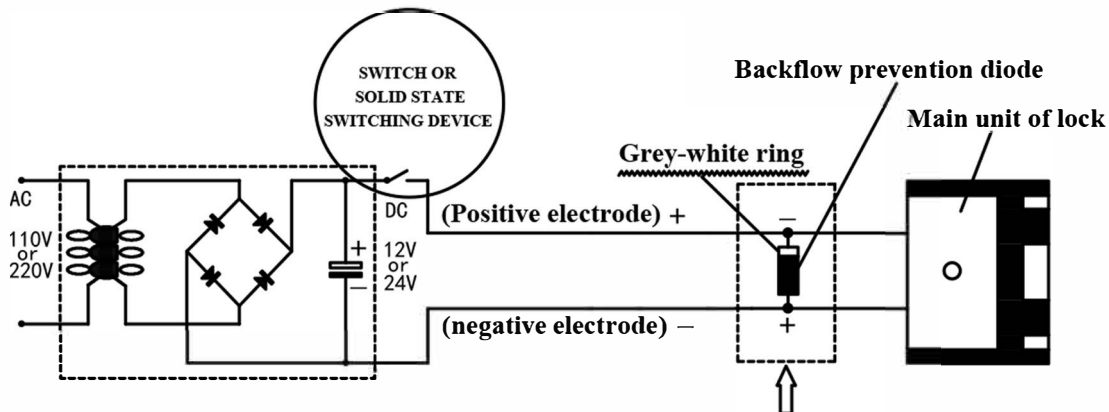
### A.12VDC Input:



### B.24VDC Input:



### C. Connection method of backflow prevention diode:



#### Connection method of backflow prevention diode:

- A. Connect the negative electrode of diode with the positive electrode of lock body.
- B. Connect the positive electrode of diode with the negative electrode of lock body.