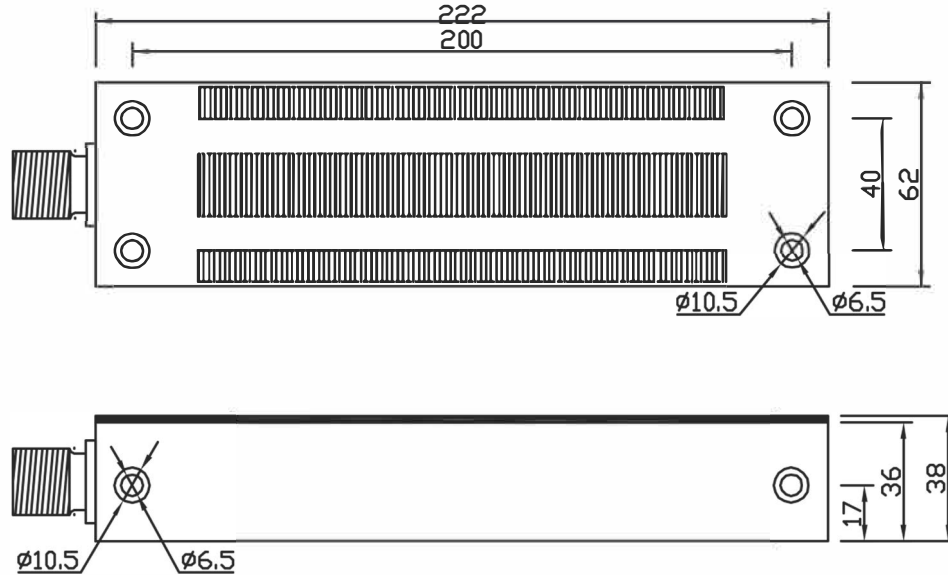


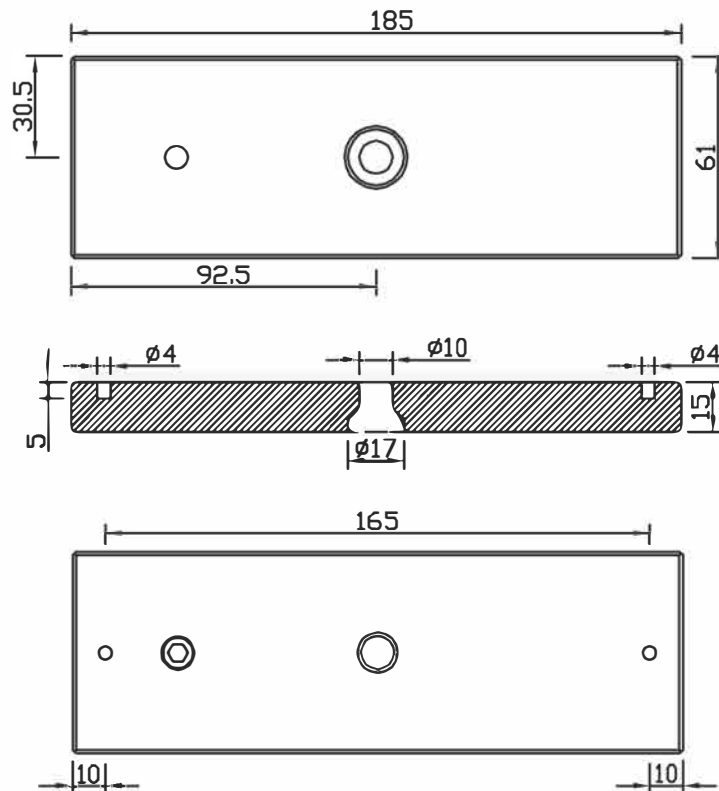


## FAS-OUT 1200 Waterproof Outdoor Magnetic Lock User's Manual

Magnetic lock dimension drawing

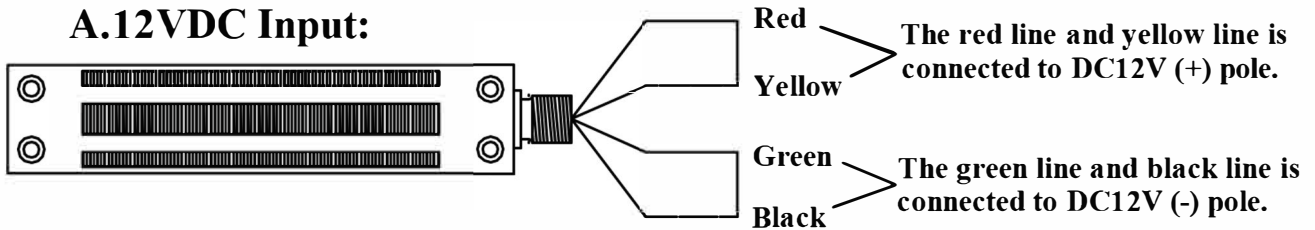


Adsorption board size chart

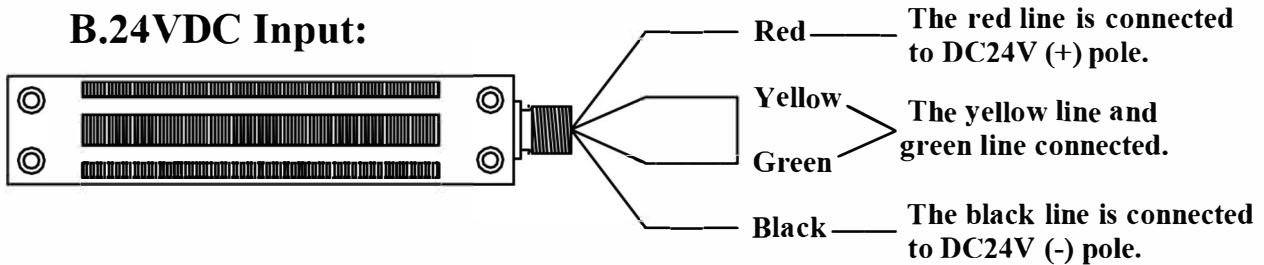


<b>Operating Voltage:</b>	DC12V	DC24V
<b>Operating Current:</b>	500mA	250mA

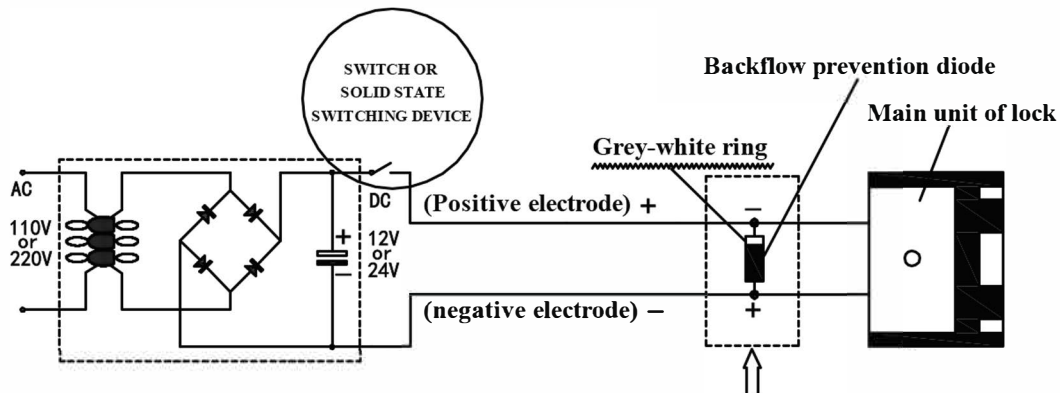
### A. 12VDC Input:



### B. 24VDC Input:



### C. Connection method of backflow prevention diode:



Connection method of backflow prevention diode:

- A. Connect the negative electrode of diode with the positive electrode of lock body.
- B. Connect the positive electrode of diode with the negative electrode of lock body.