

E-Plex® 2000



Electronic pushbutton lock eliminates problems and costs associated with issuing, controlling and collecting keys and cards. Verifies exterior access while allowing free egress.

E-Plex 2000 locks are powered by three AA batteries that load into a slide-up battery tray in the outside housing, which eliminates wires through the door and allows for continuous operation up to 100,000 cycles.

Features

No Wires

Requires no wiring to or through the door—eliminates risk of damage from pinched wires that can result in costly callbacks

Locking Device Options

- Cylindrical: Cylindrical latch with 3-hour UL/ULC fire rating
- Rim Exit Device: Compatible with most leading brands of Exit Devices (Exit Device and mounting hardware not included)
- American Standard Mortise: With 1¼" (32 mm) face plate; with and without deadbolt, auto deadbolt also available

Number of Codes

Multiple Users—100 Codes

Handing

Non-handed; pre-assembled for left-hand door installations—easily changed in the field

Audit Trail

The most recent 1,000 Events are recorded in memory, including the use of mechanical key override. Software is required to view audit Events.

Programming

Lock is easily programmed via keypad without removing lock from the door or with optional Microsoft® Excel®-based software

Key Override (Optional)

- Optional Key-in-Lever cylinder in Schlage "C" Keyway with black Kaba cap
- Small format—Best and equivalent (6 or 7-pin length)

Operation Modes

- PIN access
- Passage—can be toggled on/off or can be pre-programmed to re-lock after a certain number of hours
- Lockout

Authority Levels

Five different levels allow who has access to specific lock functions, including: Service Codes—programmed for one-time access or "come-and-go" access for 1 to 24 hours

Features continued

| | |
|-----------------|--|
| User Parameters | Code length—adjustable to accept 4 to 8 digits Anti-tamper lockout—adjustable from 3 to 9 invalid attempts with an adjustable period of 0 to 90 seconds Re-lock time—adjustable from 2 to 20 seconds |
| Lock Power | Battery Powered - Batteries located in outside housing; offers quick and easy battery replacements (three AA Alkaline batteries provide up to 100,000 cycles); lock data is maintained if batteries fail. |

Mechanical Features

| | |
|--------------------------|---|
| Construction | Heavy-duty commercial Grade 1 lockset, solid cast exterior housing, solid cast levers, cylindrical drive wear tested for extensive use in indoor and outdoor applications |
| Numeric Keypad | Vandal resistant, solid metal pushbuttons |
| Backset | Cylindrical: 2¾" (70 mm) backset, 2⅝" (60 mm) backset Mortise: 2¾" (70 mm) backset Exit Trim Model: Varies by Exit Device |
| Latches | Cylindrical Models: ½" (13 mm) throw latch, ¾" (19 mm) throw latch (optional) Mortise Models: ¾" (19 mm) latch, 1" (25 mm) deadbolt (optional) |
| Strikes | Cylindrical locks packaged standard with both ANSI A115.3 "T" Strike and A115.2 ASA Strike |
| Exit Device | Not supplied (see list below for compatibility) |
| Exit Device Latch | Supplied with Exit Device |
| Exit Device Hub Rotation | Up to 60° |
| Minimum Stile Required | 5" (127 mm) |
| Weight | Cylindrical and Mortise Models: 8 lbs. (3.63 kg) Exit Trim Models: 10 lbs. (4.54 kg) |
| Finishes | Satin Chrome 626 (26D) housings and levers. Optional Satin Brass 606 (04) or Dark Bronze 744 (10B) housings and levers |



Satin Chrome



Satin Brass



Dark Bronze

Exit Device Compatibility

- Arrow Rim # 3800
- Corbin Rim # 5200
- Detex Rim # F1001
- Detex Surface Vertical Rod #s 20/F20
- Dorma Rim # F9300
- Precision Rim #s 21/FL21
- Precision Surface Vertical Rod #s 22/FL22
- Sargent Rim # 8800
- Von Duprin Concealed Vertical Rod #s 9847/9947
- Von Duprin Mortise #s 9875/9975
- Von Duprin Rim #s 89/99
- Von Duprin Surface Vertical Rod #s 9827/9927
- Yale Concealed Vertical Rod # 7160
- Yale Rim # 7100

ATTENTION: Compatibility is subject to change if modifications are made by Exit Device manufacturers without Kaba's knowledge.

Key Override Options

| | |
|-----------------------|---|
| Key-in-Lever Cylinder | Kaba 1539 6-pin cylinder—Schlage “C” Keyway |
|-----------------------|---|

| | |
|----------------------|---|
| Interchangeable Core | Small format—Best and equivalent (6 or 7-pin length); cylinder not included |
|----------------------|---|

Installation

| | |
|----------------------|---|
| Ease of Installation | No wiring to or through the door—no risk of pinched wires |
|----------------------|---|

| | |
|------------------|---|
| Door Preparation | Cylindrical and Exit Trim—ASA 161 (easily installs on door preparation with three additional through bore holes; wood or metal doors) Mortise—ASA 86 door preparation with three additional through bore holes |
|------------------|---|

| | |
|----------------|--|
| Door Thickness | Cylindrical Model: 1 ³ / ₈ " (35 mm) to 2 ¹ / ₂ " (64 mm); pre-assembled to accommodate doors 1 ⁵ / ₈ " (41 mm) to 2" (50 mm) Exit Trim and Mortise Models: 1 ³ / ₄ " (44 mm) to 2 ¹ / ₄ " (57 mm); pre-assembled to accommodate doors 1 ³ / ₄ " (44 mm) to 2 ¹ / ₈ " (54 mm) |
|----------------|--|

| | |
|------------------------|--|
| Items Supplied Include | Cylindrical and Mortise—Lock assembly, installation manual, template, quick reference guide, operations manual, and required hardware Exit Trim—Lock assembly, installation manual, template, quick reference guide, operations manual, and required hardware. Exit Device and mounting hardware not included |
|------------------------|--|

| | |
|---|--|
| Additional Items Supplied with Key-in-Lever Cylinder Model Only | Includes Universal Kaba 1539 6-pin cylinder, two nickel silver keys, and Schlage “C” Keyway. |
|---|--|

| | |
|------------------------|---------------------------------------|
| Accessibility Standard | Americans with Disabilities Act (ADA) |
|------------------------|---------------------------------------|

| | |
|-------------|-------------------|
| Fire Rating | UL 10C fire rated |
|-------------|-------------------|

| | |
|------------|--|
| Durability | ANSI/BHMA Grade 1 Certified (A156.25, A156.2, A156.13, A156.3) |
|------------|--|

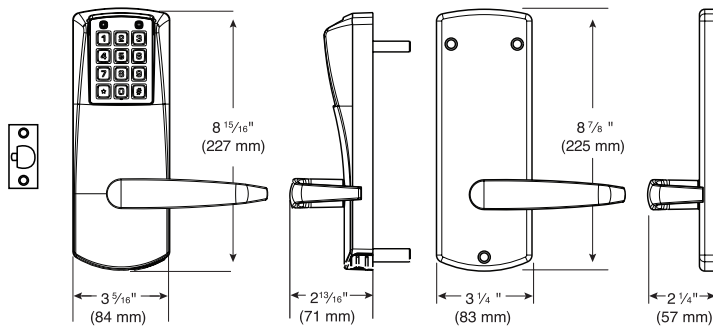
| | |
|---------------|--|
| Environmental | Indoor/Outdoor approved; -31 °F (-35 °C) to 151 °F (66 °C); Windstorm approved/certified |
|---------------|--|

Warranty

| | |
|----------|---|
| Warranty | 3-year warranty from date of installation; built-in warranty counter in lock memory |
|----------|---|

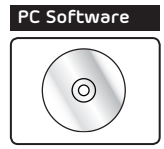
Cylindrical

Optional Feature



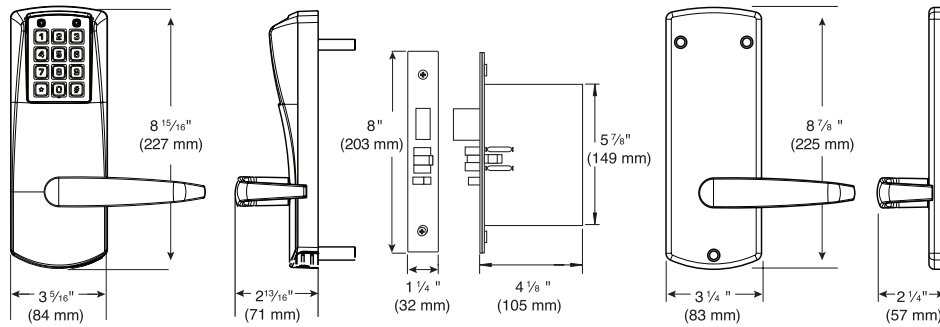
E2000 Exterior

Interior



Mortise

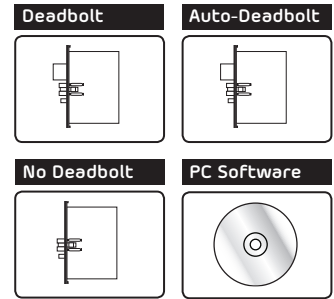
Optional Features



E2000 Exterior

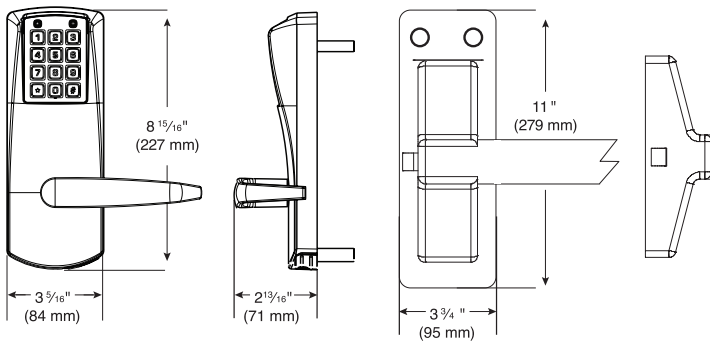
E2000 Mortise

Interior



Exit Trim

Optional Feature



E2000 Exterior

**Interior
(Exit device not included)**

