

VALUE SERIES®

V40xW

Weatherized Rim Exit Device

The V40xW Series **rim exit device** is secure and durable **panic and fire exit hardware** at an economical price. It is designed for use on all types of single and double doors and gates with mullions that are or may be exposed to the weather. The patented mounting plate and strike locator system ensures the easiest and most accurate installation of panic hardware available. In addition to listing as UL panic and fire exit hardware device, this device conforms to UL1034-34 Temperature Section 34 , UL1034-54 Dust Section 54, MIL-STD 810F, Method 506.4 (driving rain test); MIL-STD 810F, Method 509.4 (salt fog test) and UBC standard 7-2 (positive pressure).



Benefits

- Priced to be the best value for durable and attractive loss prevention panic hardware
- Fast and easy installation
- Minimal door prep saves time and money
- Fits almost any door in any décor
- Outside trims are easily changed or rekeyed without removing device from door

Features

- Patented mounting plate and strike locator
- Covers a 161 door prep
- Stainless steel, 3/4" deadlocking Pullman-type latch bolt
- Non-handed
- Field sizeable
- 1/8 turn hex key dogging
- Heavy-duty angled end cap
- Heavy-duty ribbed aluminum rail extrusion
- High impact ABS and anodized surfaces
- Withstands over 1400 pounds of static pull force for greater security
- Modular design accepts a variety of outside trims and functions
- Standard and narrow stile pull trims available

Mechanical Options

- CD - Cylinder Dogging
- HD - Hex Dogging (Std.)
- LD - Less Dogging
- 36 - Fits 36" Door Width (Std.)
- 48 - Fits 48" Door Width
- F - 3-Hour Fire Rated
- H - Hurricane Rated
- NS - Narrow stile door option
- 99 - Surface Strike (Std.)
- 98 - Semi Mortise Strike
- Available with 628 Base Rail Extrusion (Std.)
- Available with 711 Base Rail Extrusion

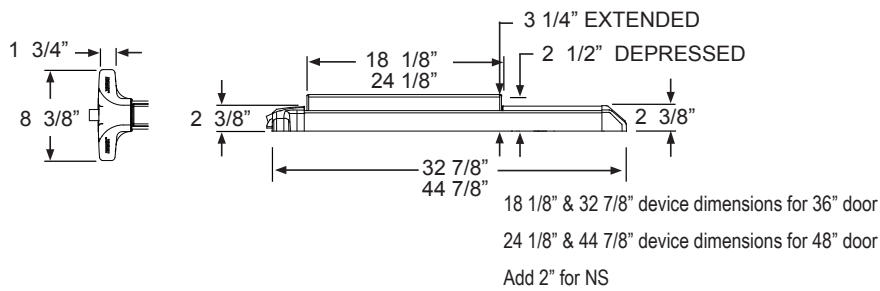
Electrical Options

- Weatherized Exit Alarm (EBxW)
 - Weatherized Request to Exit (EXxW)
 - Weatherized Request to Exit High Voltage (EXVxW)
- Refer to Electrified Options section for more information**

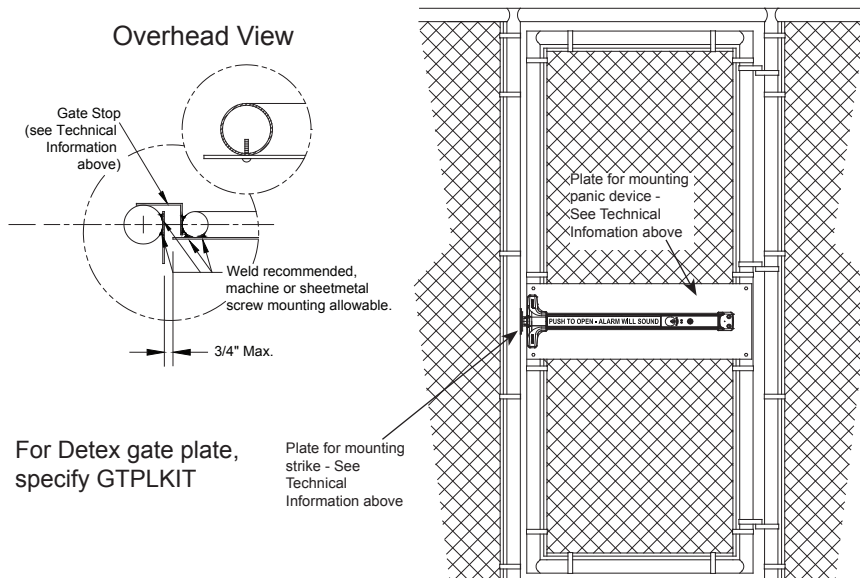
Accessories

- SN1 - Sex Nut Fasteners
- GB2 - Glass Bead Kit
- NSK- Narrow Kit - for 2" narrow stile glass door applications that must be added in the field
- GTPLKIT - Adjustable Gate Plate
- Outside Trim (see Value Series Trim Options)
- Optional Sex Nuts or Security Torx Screws available

Dimensions



Single Gate Riser



Technical Information

- Door Types - Wood, Hollow Metal, Fiberglass or Aluminum
- Door Thickness - Fits standard 1-3/4" - 2-1/4"
- Door Stile - Fits 2-1/2" stile doors with 99 surface strike (Std.)
- Door Stile - Fits 2" narrow stile doors - specify NS
- Machine and Self-Drilling Screws (Std.)

Recommended Plate Size

Gate - 1/8" thick plate, galvanized, or painted steel or 1/4" thick aluminum plate, minimum Height - 10"

Strike - 1/8" thick plated, galvanized, painted steel plate, angle iron, or 1/4" thick aluminum plate, minimum Height - 5"

Stop - 1/8" thick plated, galvanized, or painted angle iron or 1/4" thick aluminum angle plate, minimum Height - 2"

Detex Limited Warranty

10 Year Mechanical/3 Year Electrical Limited Manufacturer's Warranty

Listings and Approvals



UL Listed Panic Hardware



IBC 97, Standard 7-2 and UL10B/UL10C for positive pressure



UL Listed Fire Exit Hardware for 3 hours, maximum 4'x10' single doors and pairs of 4'x8' with F90KR keyed removable mullion



Meets NFPA 80 & 101 for Life Safety

UL1034-34 Temperature Section 34 [Temperature Range -31°F (-35° C) to 150° F (+66° C)]



Miami-Dade County, Florida NOA 15-0415.08

UL1034-54 Dust Section 54

State of Florida Approval FL9052



Meets ADA requirements



California State Fire Marshall 4140-0127:105 and 3725-0127:108



ANSI/BHMA certified A156.3

MIL-STD 810F (G), Method 509.4 (Salt Fog Test)

MIL-STD 810F (G), Method 506.4 (Driving Rain), Procedure 1

Where Trust is Built™
DETEX®
Life Safety and Security Door Hardware

Detex Corporation
302 Detex Drive
New Braunfels, Texas 78130-3045 USA

PH. (830) 629-2900
(800) 729-3839

FAX (800) 653-3839
http://www.detex.com

USA Sales:
marketing@detex.com
International Sales:
export@detex.com