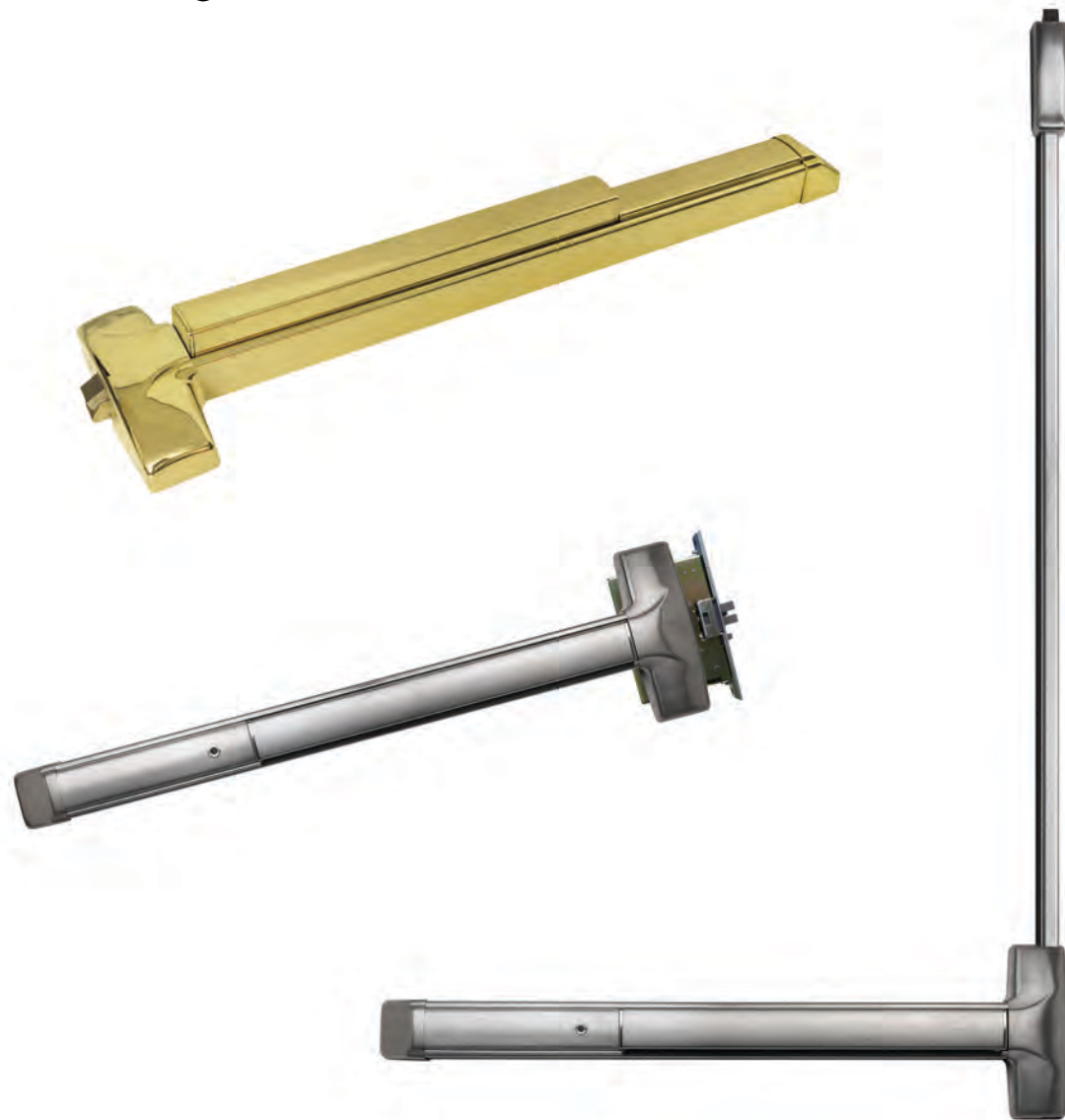


ADVANTEX[®]

Life Safety and Security Door Hardware



ADVANTEX[®]

Where Trust is Built[™]
DETEX[®]
Life Safety and Security Door Hardware

Advantex® Performance Specification**General**

All exit devices shall be Advantex® 10 or 40 series rim devices or 20/21/50/51 series surface vertical rod devices or 30 Series mortise devices or 60/61/62/63/70/71/80/81/82/83 concealed vertical rod devices as manufactured by Detex Corporation, New Braunfels, TX, USA. Each exit device shall be equipped and installed with a patented mounting plate and strike locator for an accurate installation. All wide and narrow stile devices shall be available with matching outside trim and where required, available with electrified options. All exit devices shall be reversible or non-handed and all non-electrified exit devices will be field sizeable.

Code Compliance

The exit devices shall be listed by Underwriters Laboratories and bear the UL label for panic hardware in compliance with NFPA 80 and 101. Where required, all devices shall have a UL label for Fire Exit Devices listed for use on fire rated doors up to and including A label, three hours. UL labeled Fire Exit Devices shall be listed for door opening sizes up to 8'0" x 10'0" in standard pairs and in double egress pairs, with Surface Vertical Rods and with Top Rod Only. Rim mounted, UL labeled Fire Exit Devices shall be listed for door openings sizes up to 4'0" x 10'0" on single doors and 8'0" x 8'0" on door pairs with an F90KR Keyed Removable Mullion.

Where required, all rim devices shall have a Miami-Dade County, Florida label indicating hurricane listing.

All exit devices shall be certified to meet ANSI/BHMA A156.3, Grade 1 requirements, and conform to ADA and California Title 19 requirements.

Design

All exit devices shall be of super heavy duty design and constructed of stainless steel covers and wraps over a structurally engineered extruded aluminum body. The end cap shall be constructed of 14 gauge deep drawn stainless steel and designed with a tapered angle of 50 degrees to deflect damage away from the device. All end caps shall include the Quad-lock structural design that incorporates 16 separate bearing surfaces on four different planes, securely interlocking the end cap to the exit device and door. All exit devices shall be designed with internally ribbed aluminum extrusion rails and base plate mounted push pads to dissipate excessive force to the push pad and prevent damage to the operating mechanisms.

All latch bolts shall be stainless steel material with a deadlocking feature for increased security. Surface vertical rod devices shall have pullman type top deadlocking latch bolts. The bottom rod shall have a solid steel deadlocking drop bolt. All surface vertical rod devices shall be supplied standard with rod covers and ADA-compliant bottom latch guards. All surface vertical rods shall be available in a top rod only configuration to meet all necessary code compliance for panic and fire exit hardware.

Hex key dogging shall be a standard feature for all non-fire rated exit devices. Optional features include cylinder dogging or less dogging. All dogging will be accomplished with no more than a one-eighth turn of the hex key or cylinder key to minimize the risk of repetitive motion injuries. Fire rated exit devices are required to have less dogging.

The through-bolted modular design of all exit devices shall accommodate a variety of different trims and functions without altering the exit device. It shall not be necessary to remove the device from the door for keying changes or standard maintenance. All standard stile outside lever trims shall be provided with vandal-resistant clutching levers.

Options

Optional slide in filler plates shall be available for all exit devices to accommodate optional dogging types, alarm and other electrified features.

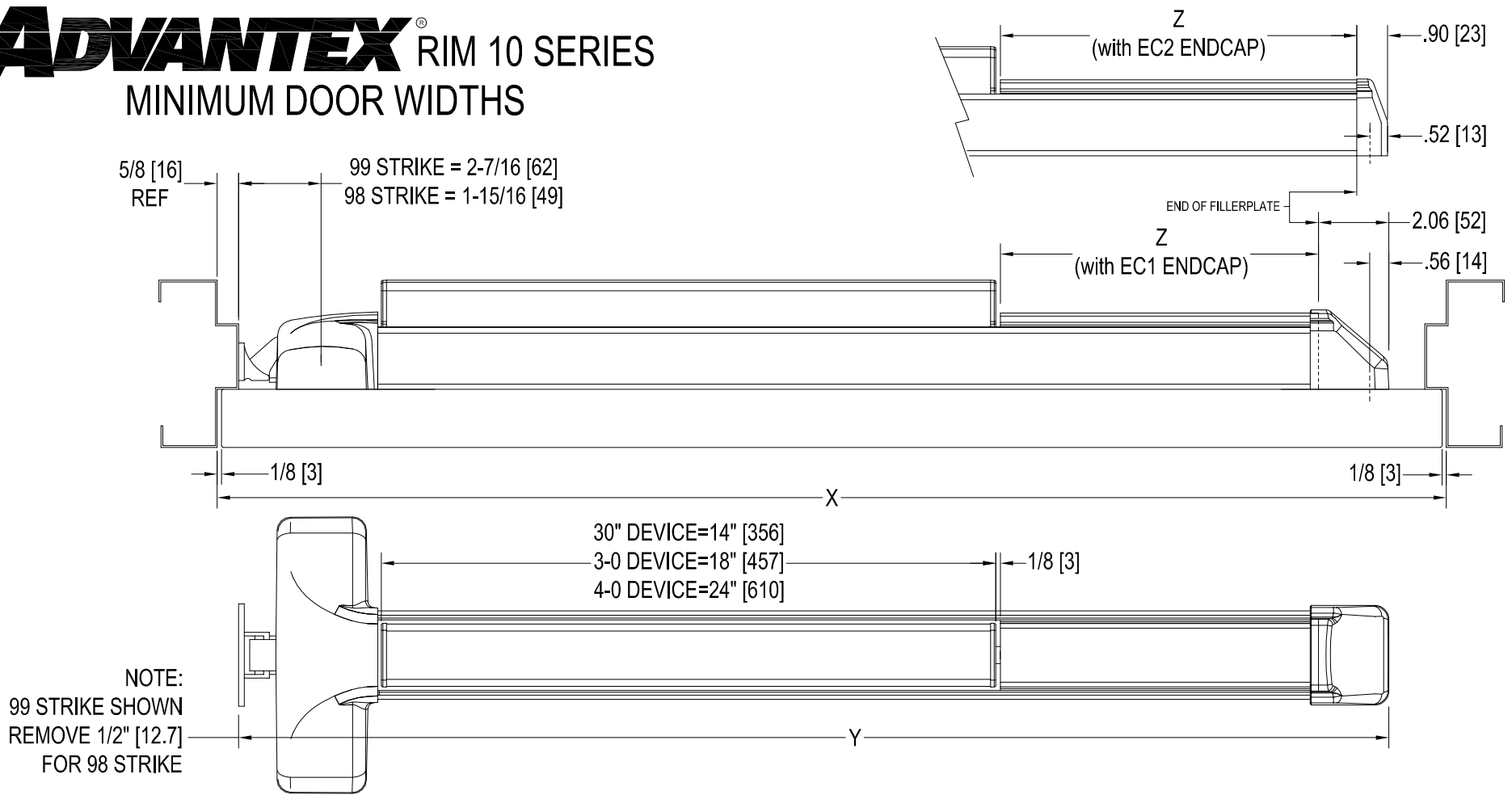
Optional mounting plates will allow for retrofit over other manufacturers' mounting holes when doors are not being replaced.

Warranty

Detex Advantex panic hardware, when properly installed, used and maintained, is warranted to be free of defects in material and workmanship. We will, for a period of ten (10) years from the date of purchase, repair or replace any part which, upon our examination, proves to be defective under normal use. Electrical components, when properly installed, used and maintained, are warranted to be free of defects in material and workmanship for a period of three (3) year. This warranty will be honored only upon presentation of proof that the product covered thereby was purchased directly from an authorized Detex distributor. We shall not be liable for any direct, incidental or consequential loss or damage arising out of the failure of this panic hardware to operate.

ADVANTEX[®] RIM 10 SERIES

MINIMUM DOOR WIDTHS



STANDARD CONFIGURATION 3-0 DEVICE (10 x 99 strike)					
ENDCAP STYLE	DEVICE FUNCTION	"X" dimension inches [mm]	"Y" dimension inches [mm]	"Z" dimension inches [mm]	FINISH
EC1	ALL STD	36 [914]	33.71 [856]	9.32 [236]	630 & OTHERS (A)
EC2	ALL STD	36 [914]	33.71 [856]	10.45 [265]	628, 693 & 695 (B)
MINIMUM LENGTHS					
EC1	LD	28.27 [718]	26.89 [683]	2.5 [64]	(A)
EC1	EA, EI	33.27 [845]	31.89 [810]	7.5 [191]	(A)
EC1	ED	32.77 [832]	31.39 [797]	7.0 [178]	(A)
EC1	ER	34.77 [883]	33.39 [848]	9.0 [229]	(A)
EC1	EE, EM	34.77 [883]	33.39 [848]	9.0 [229]	(A)
EC1	EE x ER	34.77 [883]	33.39 [848]	9.0 [229]	(A)
EC1	HD, CD	28.77 [731]	27.39 [696]	3.0 [76]	(A)
EC2	LD	27.14 [689]	25.76 [654]	2.5 [64]	(B)
EC2	EA, EI	32.14 [816]	30.76 [781]	7.5 [191]	(B)
EC2	ED	31.64 [806]	30.26 [769]	7.0 [178]	(B)
EC2	ER	33.64 [854]	32.26 [819]	9.0 [229]	(B)
EC2	EE, EM	33.64 [854]	32.26 [819]	9.0 [229]	(B)
EC2	EE x ER	33.64 [854]	32.26 [819]	9.0 [229]	(B)
EC2	HD, CD	27.64 [702]	26.26 [667]	3.0 [76]	(B)

STANDARD CONFIGURATION 4-0 DEVICE (10 x 99 strike)					
ENDCAP STYLE	DEVICE FUNCTION	"X" dimension inches [mm]	"Y" dimension inches [mm]	"Z" dimension inches [mm]	FINISH
EC1	ALL STD	48 [1219]	45.71 [1161]	15.32 [389]	630 & OTHERS (A)
EC2	ALL STD	48 [1219]	45.71 [1161]	16.45 [418]	628, 693 & 695 (B)
MINIMUM LENGTHS					
EC1	LD	34.27 [870]	32.89 [835]	2.5 [64]	(A)
EC1	EA, EI	39.27 [997]	37.89 [962]	7.5 [191]	(A)
EC1	ED	38.77 [985]	37.39 [950]	7.0 [178]	(A)
EC1	ER	40.77 [1036]	39.39 [1000]	9.0 [229]	(A)
EC1	EE, EM	40.77 [1036]	39.39 [1000]	9.0 [229]	(A)
EC1	EE x ER	40.77 [1036]	39.39 [1000]	9.0 [229]	(A)
EC1	HD, CD	34.77 [883]	33.39 [848]	3.0 [76]	(A)
EC2	LD	33.14 [842]	31.76 [807]	2.5 [64]	(B)
EC2	EA, EI	38.14 [969]	36.76 [934]	7.5 [191]	(B)
EC2	ED	37.64 [956]	36.26 [921]	7.0 [178]	(B)
EC2	ER	39.64 [1007]	38.26 [972]	9.0 [229]	(B)
EC2	EE, EM	39.64 [1007]	38.26 [972]	9.0 [229]	(B)
EC2	EE x ER	39.64 [1007]	38.26 [972]	9.0 [229]	(B)
EC2	HD, CD	33.64 [854]	32.26 [819]	3.0 [76]	(B)

STANDARD CONFIGURATION 30" DEVICE (10 x 99 strike)					
ENDCAP STYLE	DEVICE FUNCTION	"X" dimension inches [mm]	"Y" dimension inches [mm]	"Z" dimension inches [mm]	FINISH
EC2	ALL STD	30 [762]	28.22 [717]	9.0 [229]	ALL
MINIMUM LENGTHS					
EC2	LD	23.14 [588]	21.76 [553]	2.5 [64]	ALL
EC2	EA, EI	28.14 [715]	26.76 [680]	7.5 [190]	ALL
EC2	ED	27.64 [701]	26.26 [666]	7.0 [178]	ALL
EC2	ER	29.64 [753]	28.26 [718]	9.0 [229]	ALL
EC2	EE	N/A	N/A	N/A	N/A
EC2	EE x ER	N/A	N/A	N/A	N/A
EC2	HD, CD	23.64 [600]	22.26 [565]	3.0 [76]	ALL
EC2	EM	29.64 [753]	28.26 [718]	9.0 [229]	ALL

- NOTES:
- FOR 2" MULLION ADD 7/16" TO EACH DOOR WIDTH
 - EC1 AVAILABLE ON 628, 693 & 695 FINISHES CONTACT FACTORY.
 - ON 30" DEVICE, EC1 IS AVAILABLE ON ALL FINISHES.

Finishes

Detex is the first manufacturer of architectural exit devices to utilize the most sophisticated process of finishing on stainless steel. Exclusive to Detex, the Physical Vapor Deposition (PVD) coating will not corrode, fade, chip or discolor. It is more resistant to scratching than traditional finishes and all of these features make it ideal for your very toughest locations.

Detex & BHMA Finish Numbers

Finish	Description	US Standard
605 - PVD Equivalent	Polished Brass	US3
606 - PVD Equivalent	Brushed Brass	US4
611 - PVD Equivalent	Polished Bronze	US9
612 - PVD Equivalent	Brushed Bronze	US10
613 - PVD Equivalent	Oil Rubbed Bronze	US10B
625	Polished Chrome	US26
626	Brushed Chrome	US26D
628	Satin Aluminum	US28
629	Polished Stainless Steel	US32
630	Brushed Stainless Steel	US32D
693	Painted Black	USSPBLK
695	Painted Dark Bronze	USSP313

All device finishes are over Stainless Steel.

Some outside trims are not available in stainless steel finish and will be provided in Brushed Chrome.

Split finishes, where the outside trim is different from the device, are available. List the outside trim finish first, followed by the device finish.

How to Care for Finishes

Most PVD finished devices should be cleaned with a soft cloth and glass cleaner. Do not use any type of steel wool, cleansing pad, scotch pad, foaming cleanser or any other type of cleansing product.

The 613 PVD finish has a coating that does not show fingerprints so cleaning should rarely be required. To restore the warmth of the color use a mild furniture polish, preferable a paste to bring back the depth of the color.

Brushed Stainless Steel (630/US32D) should be kept away from contact with other metals. It should be cleaned with a plastic pad or bronze wool. Avoid all solvents, bleach and steel wool.

Detex[®] Template Policy

Detex offers panic device template data on our website at www.detex.com. These templates are for reference purposes. We recommend cutting doors for our panic devices using the patented mounting plate and strike locator packed with each of our units. Using this mounting system to cut doors after they are hung yields a precise installation based upon the exact door to frame, and door to mullion condition at each opening.

The on-site cutting of doors for our products is made simple and practical by the fact that our devices require only simple through the door holes of standard drill bit sizes. This procedure actually reduces the installation time otherwise required to apply shims and/or relocate pre-cut holes due to door and frame installation problems.



Exit Device Types

10 Series - Wide Stile Rim Device

10xW Series - Weatherized Wide Stile Rim Device

20 Series - Wide Stile Surface Vertical Rod

20xW Series - Weatherized Wide Stile Surface Vertical Rod

21 Series - Wide Stile Surface Vertical Rod - Top Rod Only

21xW Series - Weatherized Wide Stile Surface Vertical Rod - Top Rod Only

27 Series - High Security Relatching Surface Vertical Rod Device

30 Series - Mortise Lock Exit Device

40 Series - Narrow Stile Rim Device

40xW Series - Weatherized Narrow Stile Rim Device

50 Series - Narrow Stile Surface Vertical Rod

50xW Series - Weatherized Narrow Stile Surface Vertical Rod

51 Series - Narrow Stile Surface Vertical Rod - Top Rod Only

51xW Series - Weatherized Narrow Stile Surface Vertical Rod - Top Rod Only

60 Series - Narrow Stile Concealed Vertical Rod for Aluminum Doors

61 Series - Narrow Stile Concealed Vertical Rod for Aluminum Doors - Top Rod Only

62 Series - Narrow Stile Concealed Vertical Rod for Hollow Metal Doors

63 Series - Narrow Stile Concealed Vertical Rod for Hollow Metal Doors - Top Rod Only

70 Series - Wide Stile Concealed Vertical Rod for Wood Doors

71 Series - Wide Stile Concealed Vertical Rod for Wood Doors - Top Rod Only

80 Series - Wide Stile Concealed Vertical Rod for Hollow Metal Doors

81 Series - Wide Stile Concealed Vertical Rod for Hollow Metal Doors - Top Rod Only

82 Series - Wide Stile Concealed Vertical Rod for Aluminum Doors

83 Series - Wide Stile Concealed Vertical Rod for Aluminum Doors - Top Rod Only

87 Series - High Security Relatching Concealed Vertical Rod Device

ADVANTEX® 10 SERIES (WIDE RIM)

RATING

For no rating, leave blank
H = Hurricane Rated
F = Fire Rated (Less/No Dogging Only)
FH = Hurricane and Fire Rated

OUTSIDE TRIM / DEVICE FINISH

605 = Polished brass (PVD)
606 = Brushed brass (PVD)
611 = Polished bronze (PVD)
612 = Brushed bronze (PVD)
613 = Oil rubbed bronze
625 = Polished chrome
626 = Brushed chrome (std. on lever trims)
629 = Polished stainless steel
630 = Brushed stainless steel (std. on pull trims & devices)
693 = Black, powder coated
695 = Dark bronze, powder coated

DOGGING FUNCTION

LD = Less/No dogging
HD = Hex key dogging
CD = Cylinder key dogging

PRE-INSTALLED CYLINDERS

If cylinders provided by others, leave blank
MC65 = Mortise Cylinder(s) Spin/Keyed 5
IC7 = Mortise Cylinder(s) SFC housing
IK7 = Mortise Cylinder(s) Instakey housing
RC65 = Rim Cylinder(s) Spin/Keyed 5
IC7R = Rim Cylinder(s) SFC housing
IK7R = Rim Cylinder(s) Instakey housing

ENDCAP

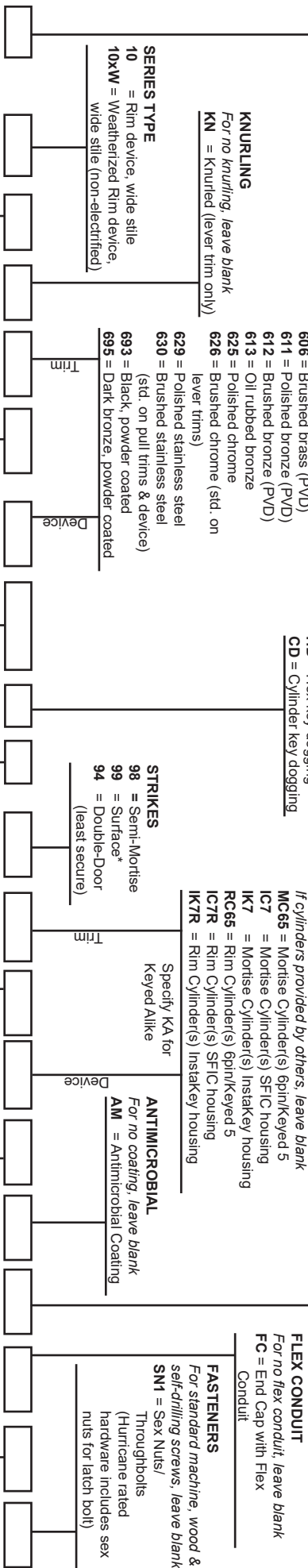
EC1 = Ramped endcap*
EC2 = Flush endcap (std. on all 62/81/693/695 finishes)

FLEX CONDUIT

For no flex conduit, leave blank
FC = End Cap with Flex Conduit

FASTENERS

For standard machine, wood & self-drilling screws, leave blank
SN1 = Sex Nurs/
 Throughbolts
 Hurricane rated hardware includes sex nuts for latch bolt)



OUTSIDE TRIM FUNCTION

For no outside trim, leave blank
01C = Exit only, blank plate
01W = Exit only, wide blank plate - long
02C = Dummy pull trim
02Z = Inactive Vandal pull handle (handed)
03C = Key retracts latch; pull trim
03Z = Key retracts latch; Vandal pull handle (handed)
03W = Key retracts latch; wide plate - long
03WS = Key retracts latch; plate - short
01D = Blank escutcheon
02D = Dummy lever trim
03W = Active lever, key locks / unlocks lever; Wide lever handle (handed) (J, Q, S, T, U or FSB1076 lever**) (classroom)
09D = Lever trim active by key; locked when key removed; Wide lever handle (handed) (J, Q, S, T, U or FSB1076 lever**) (storeroom)
10D = Double cylinder; Wide lever handle (handed) (J, Q, S, T, U or FSB1076 lever**) (storeroom)
14D = Active lever, no key cylinder; Wide lever handle (handed) (J, Q, S, T, U or FSB1076 lever**) (passage)
CBK = Cylinder bracket kit; 03 only; plate & pull handle by others required
EU = Electric Unlock Trim (24VDC & Fail Secure [FSE] Std.) - Specify handing (not field reversible). For 12VDC specify 12VDC. For Fail Safe specify FSA

DOOR HANDLING

RHR = Right hand reverse*
LHR = Left hand reverse

KEYSTOP

For no keystop, leave blank
KS = Key Stop (Available with EA, EBXW, EE, EEXER, EI functions)

STRIKES

98 = Semi-Mortise
99 = Surface*
94 = Double-Door (least secure)

SWITCHING

For no switching, leave blank
LX = Latch Bolt Signal Switch
LXV = Latch Bolt 3Amp Current Switch

DOOR WIDTH

24" wide door
30" wide door
36" wide door (3)*
48" wide door (4)

SILENCER

For standard pushpad, leave blank
SLR = Silent Latch & Pushpad

ELECTRIFIED FUNCTION

For no electrified function, leave blank

Standard

Select Arming Time and Auto Rearm
EA = Hardwired Elec. Alarm
EAXEX = Exit Alarm with Request To Exit (Signal) Switch
EAXEXV = Exit Alarm with Request To Exit (3Amp Current) Switch
ED = Elec. Dogging
EX = Request To Exit (Signal) Switch
EXV = Request To Exit (3Amp Current) Switch
EI = Elec. Integration (logic controller required)
ES = Elec. Switching (dead latch & OKC switches)

Weatherized Alarms

Select Arming Time and Auto Rearm
EBXW = Elec. Battery Operated Exit Alarm Weatherized
EBXEXW = Elec. Battery Operated Exit Alarm Weatherized with Request To Exit (Signal) Switch
EBXEXXW = Elec. Battery Operated Exit Alarm Weatherized with Request To Exit (3Amp Current) Switch

Latch Retraction

ER = Elec. Latch Retraction (silencer standard)
ERXW = Elec. Latch Retraction Weatherized (silencer standard)

Power Supply / Controller for Latch

Retraction Only (ER & ERXW)
 Order/Sold Separately
 Single = 81-800
 Pair = 82-800
 2 Independent Singles = 83-800

Weatherized Others

ERXW = Elec. Latch Retraction Weatherized (silencer standard)
EXXW = Request To Exit (Signal) Switch Weatherized
EXXW = Request To Exit (3Amp Current) Switch Weatherized
WDE = Weatherized Delayed Egress (see EasyKits)

Delayed Egress/Latch Retraction

EEXER = Delayed Egress with Elec. Latch Retraction (silencer standard)
EEXERXULC = Delayed Egress with Elec. Latch Retraction (silencer standard) UL Canada

Required Power Supply / Controller for Delayed Egress with Latch Retraction (EEXER)

Order/Sold Separately
 Single EEXER = 84-800
 Pair of EEXER = 85-800
 One EEXER and One EE = 85-800XEE
 One EEXER and One ER = 85-800XER

Fire-rated trims must be fail safe (FSA)

**Other FSB levers available: 1016, 1035, 1058, 1075, 1093, 1119, 1147. FSB levers available in 630 finish only. See catalog pages for more information.

NOTE: * = default/standard

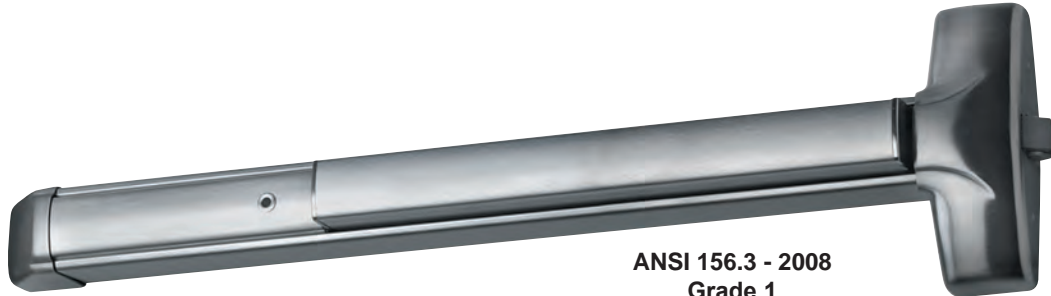
Also see online version at detex.com/hto



10 SERIES

Rim Exit Device

The 10 Series rim exit device is super-heavy-duty panic and fire exit hardware for use on all types of single and double doors with mullions. The patented mounting plate and strike locator system ensures the easiest and most accurate installation of panic hardware available.



ANSI 156.3 - 2008
Grade 1
Type 1

Benefits

- Tough and durable design for years of trouble-free service in high-use, high-abuse environments
- Fast and accurate installation
- Minimal door prep saves time and money
- Outside trims are easily changed or re-keyed without removing device from door

Features

- Patented mounting plate and strike locator system replaces paper templates
- Tested beyond 1,000,000 cycles - Twice the cycling required for Grade 1 UL testing
- Heavy-duty angled end-cap deflects damage away from device
- Stainless steel deadlocking, Pullman-type latch bolt
- All exposed surfaces are finished over stainless steel with PVD, an environmentally-friendly finishing process
- Non-handed
- Field sizeable
- 1/8 turn hex or cylinder dogging

Mechanical Options

- F - 3-Hour Fire Rated
- H - Hurricane Rated
- AM - Anti-Microbial Coating
- BP-3 Mounting plate (call factory for retrofit information)
- BP-5 Mounting Plate (call factory for retrofit information)
- SLR - Silencer
- CD - Cylinder Dogging
- HD - Hex Dogging (Std.)
- LD - Less Dogging
- 99 - Surface Strike (Std.)
- 98 - Semi Mortise Strike
- EC1, EC2 - See Advantex 10xW
- 30 - Fits 30" Door Width
- 36 - Fits 36" Door Width (Std.)
- 48 - Fits 48" Door Width

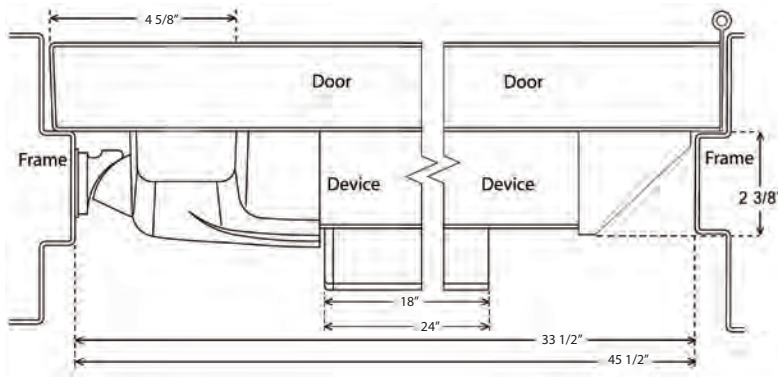
Electrical Options

- Exit Alarm (EA)
- Electric Dogging (ED)
- Electric Integration (EI)
- Electric Latch Retraction (ER)
- Delayed Egress - Self Contained (EE)
- Delayed Egress with Latch Retraction (EExER)
- Delayed Egress - Mag Lock (EM)
- Electric Unlock (EU)
- Latch Bolt Signaling (LX)
- Latch Bolt Signaling for High Voltage (LXV)
- Electric Switching (ES)
- Request to Exit (EX)
- Request to Exit for High Voltage (EXV)
- Request to Exit Weatherized (EXxW)
- Request to Exit Weatherized for High Voltage (EXVxW)

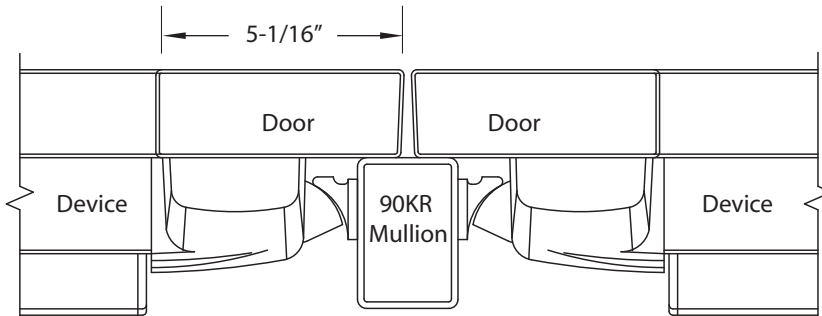
Refer to Electrified Options section for more information



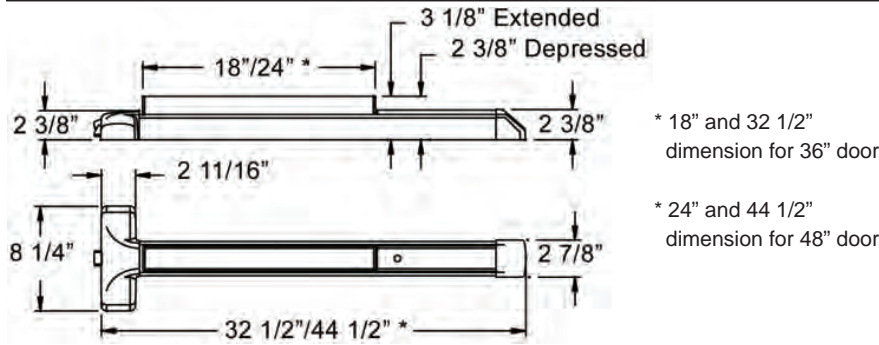
Single Door



Double Door with 90KR Mullion



Dimensions



Listings and Approvals



UL Listed Panic Hardware



UL Listed Fire Exit Hardware for 3 hours, maximum 4'x10' single doors and pairs of 4'x8' with F90KR keyed removable mullion



Meets ADA requirements



ANSI/BHMA certified A156.3



ULC 97, Standard 7-2 and UL10B/UL10C for positive pressure



Meets NFPA 80 & 101 for Life Safety



Miami-Dade County, Florida NOA 15-0415.08

State of Florida Approval FL9052



California State Fire Marshall 4140-0127:105 and 3725-0127:108

Accessories

- GB1 - Glass Bead Kit
- SN1 - Sex Nut Kit (2 per package)
- SSK - Security Torx Screw Kit
- Trim Functions (see Outside Trims)
- Electrified Options (see Electrified Options)

Technical Information

- Door Types - Wood, Hollow Metal, Fiberglass or Aluminum
- Door Thickness - Fits standard 1-3/4" - 2-1/4" doors (for other door thicknesses contact factory)
- Minimum Stile - 4-5/8" with standard 99 strike; 4-1/8" with optional 98 strike
- Fasteners - Machine and Self-Drilling Screws standard

Finishes

605 / US3	Polished Brass
606 / US4	Brushed Brass
611 / US9	Polished Bronze
612 / US10	Brushed Bronze
613 / US10B	Oil Rubbed Bronze
628 / US28	Aluminum Satin
629 / US32	Polished Stainless Steel
630 / US32D	Brushed Stainless Steel
693 / SPBLK	Black, Painted
695 / SP 313	Dark Bronze, Painted

Detex Limited Warranty

10 Year Mechanical/3 year Electrical Limited Manufacturer's Warranty

Where Trust is Built™
DETEX®
Life Safety and Security Door Hardware

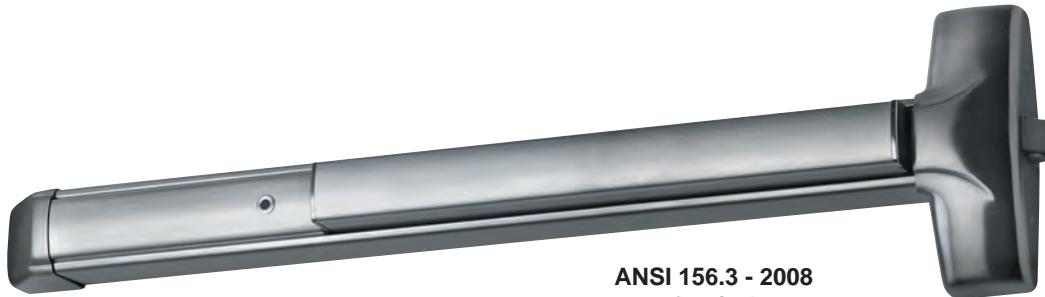
Detex Corporation
 302 Detex Drive
 New Braunfels, Texas 78130-3045 USA
 PH. (830) 629-2900
 (800) 729-3839
 FAX (800) 653-3839
 http://www.detex.com
 USA Sales:
 marketing@detex.com
 International Sales:
 export@detex.com



10xW SERIES

Weatherized Rim Exit Device

The 10xW Series **weatherized rim exit device** is super-heavy-duty **panic** and **fire exit hardware** for use on all types of single doors and gates and double doors and gates with mullions that are or may be exposed directly to the weather. The patented mounting plate and strike locator system ensures the easiest and most accurate installation of panic hardware available. In addition to listing as UL panic and fire exit hardware device, this device conforms to UL1034-34 Temperature Section 34, UL1034-54 Dust Section 54, MIL-STD 810F, Method 506.4 (driving rain test); and MIL-STD 810F, Method 509.4 (salt fog test).



ANSI 156.3 - 2008
Grade 1
Type 1



Benefits

- Tough and durable design for years of trouble-free service in high-use, high-abuse or inclement weather environments
- Fast and accurate installation
- Minimal door prep saves time and money
- Outside trims are easily changed or re-keyed without removing device from door

Features

- Patented mounting plate and strike locator system replaces paper templates
- Tested beyond 1,000,000 cycles - Twice the cycling required for Grade 1 UL testing
- Heavy-duty angled end-cap deflects damage away from device
- Stainless steel deadlocking, Pullman-type latch bolt
- All exposed surfaces are finished over stainless steel with PVD, an environmentally-friendly finishing process
- Field sizeable
- Assembled using components resistant to temperature, dust, driving rain and salt fog
- Non-handed
- 1/8 turn hex or cylinder dogging
- Fasteners made of stainless steel 316 material

Mechanical Options

- H - Hurricane Rated
- CD - Cylinder Dogging
- 99 - Surface Strike (Std.)
- AM - Anti-Microbial Coating
- HD - Hex Dogging (Std.)
- 98 - Semi Mortise Strike
- BP-3 Mounting plate (call factory for retrofit information)
- LD - Less Dogging
- 30 - Fits 36" Door Width
- BP-5 Mounting Plate (call factory for retrofit information)
- EC1 - Heavy Duty End-cap (Std)
- 36 - Fits 36" Door Width (Std.)
- EC2 - Flush End-cap
- 48 - Fits 48" Door Width

Electrical Options

- Electric Unlock (EU)
- Request to Exit Weatherized (EXxW)
- Request to Exit Weatherized for High Voltage (EXVxW)

Refer to Electrified Options section for more information



Accessories

- GB1 - Glass Bead Kit
- SN1 - Sex Nut Kit (2 per package)
- SSK - Security Torx Screw Kit
- Trim Functions (see Outside Trims)
- GTPLV40 - Adjustable Gate Plate
- Electrified Options (see Electrified Options)

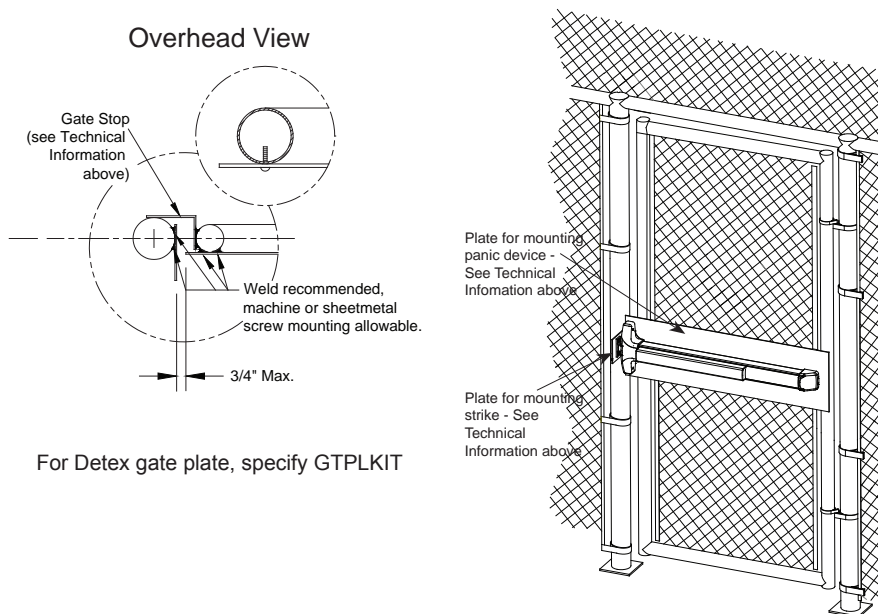
Technical Information

- Door Types - Wood, Hollow Metal, Fiberglass or Aluminum
- Door Thickness - Fits standard 1-3/4" - 2-1/4" doors (for other door thicknesses contact factory)
- Minimum Stile - 4-5/8" with standard 99 strike; 4-1/8" with optional 98 strike
- Fasteners - Machine and Self-Drilling Screws standard stainless steel 316 material
- **Recommended Plate Size**
Gate - 1/8" thick plate, galvanized, or painted steel or 1/4" thick aluminum plate, minimum height - 10"
- Strike - 1/8" thick plated, galvanized, painted steel plate, angle iron, or 1/4" thick aluminum plate, minimum Height - 5"
- Stop - 1/8" thick plated, galvanized, or painted angle iron or 1/4" thick aluminum angle plate, minimum Height - 2"

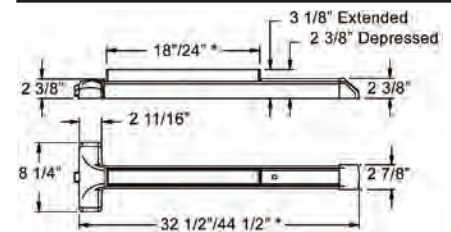
Finishes

605 / US3	Polished Brass	612 / US10	Brushed Bronze	630 / US32D	Brushed Stainless Steel
606 / US4	Brushed Brass	613 / US10B	Oil Rubbed Bronze	693 / SPBLK	Black, Painted
611 / US9	Polished Bronze	628 / US28	Aluminum Satin	695 / SP 313	Dark Bronze, Painted Steel
		629 / US32	Polished Stainless Steel		

Single Gate



Dimensions



* 18" and 32 1/2" dimension for 36" door

* 24" and 44 1/2" dimension for 48" door

Detex Limited Warranty

10 Year Mechanical/3 year Electrical
Limited Manufacturer's Warranty

Listings and Approvals



UL Listed
Panic Hardware
UL1034-34 Temperature Section 34
[Temperature Range -31°F (-35° C) to 150° F
(+66° C)]
UL1034-54 Dust Section 54



Meets ADA Requirements



ANSI/BHMA certified A156.3



Miami-Dade County, Florida
NOA 10-0303.02

State of Florida Approval
FL9052

MIL-STD 810F (G), Method 509.4
(Salt Fog Test)

MIL-STD 810F (G), Method 506.4
(Driving Rain), Procedure 1

Where Trust is Built™

DETEX®

Life Safety and Security Door Hardware

Detex Corporation
302 Detex Drive
New Braunfels, Texas 78130-3045 USA
PH. (830) 629-2900
(800) 729-3839
FAX (800) 653-3839
<http://www.detex.com>
USA Sales:
marketing@detex.com
International Sales:
export@detex.com



1010D SERIES

Rim Exit Device (Double Cylinder)

The 1010 Series rim exit device is super-heavy-duty panic and fire exit hardware for use on all types of single and double doors with mullions. The patented mounting plate and strike locator system ensures the easiest and most accurate installation of panic hardware available.



Benefits

- Tough and durable design for years of trouble-free service in high-use, high-abuse environments
- Minimal door prep saves time and money
- Gives ability to lock outside lever trim from the inside, protecting people and property inside from outside threats
- Fast and accurate installation
- Outside trims are easily changed or re-keyed without removing device from door
- Easy retrofit to other manufacturers

Features

- Patented mounting plate and strike locator system replaces paper templates
- Tested beyond 1,000,000 cycles - Twice the cycling required for Grade 1 UL testing
- Heavy-duty angled end-cap deflects damage away from device
- Stainless steel deadlocking, Pullman-type latch bolt
- All exposed surfaces are finished over stainless steel with PVD, an environmentally-friendly finishing process
- Handed
- Field sizeable
- 1/8 turn hex or cylinder dogging

Mechanical Options

- F - 3-Hour Fire Rated
- H - Hurricane Rated
- AM - Anti-Microbial Coating
- BP-3 Mounting plate (call factory for retrofit information)
- BP-5 Mounting Plate (call factory for retrofit information)
- SLR - Silencer
- CD - Cylinder Dogging
- HD - Hex Dogging (Std.)
- LD - Less Dogging
- 99 - Surface Strike (Std.)
- 98 - Semi Mortise Strike
- EC1, EC2 - See Advantex 10 Series
- 30 - Fits 30" Door Width
- 36 - Fits 36" Door Width (Std.)
- 48 - Fits 48" Door Width

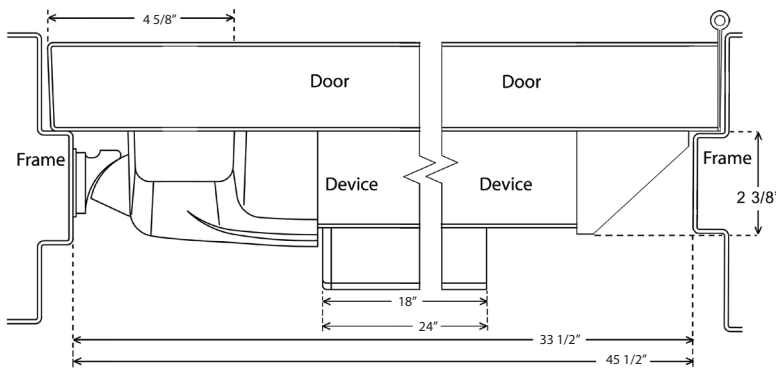
Electrical Options

- Exit Alarm (EA)
- Electric Dogging (ED)
- Electric Integration (EI)
- Electric Latch Retraction (ER)
- Electric Switching (ES)
- Request to Exit (EX)
- Request to Exit for High Voltage (EXV)
- Request to Exit Weatherized (EXxW)
- Request to Exit Weatherized for High Voltage (EXVxW)

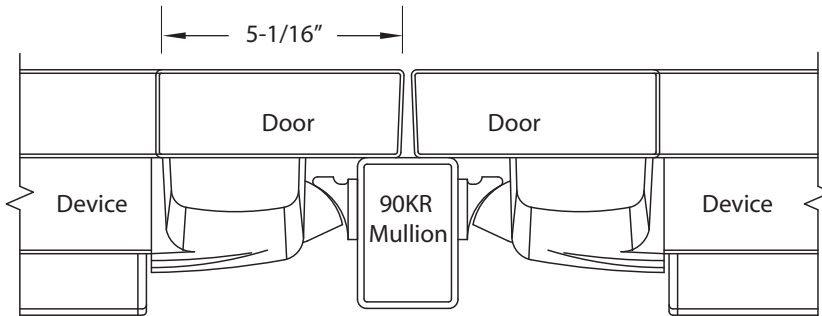
Refer to Electrified Options section for more information



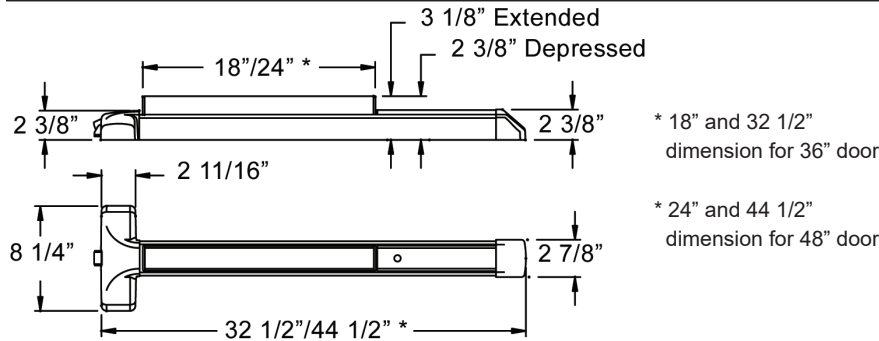
Single Door



Double Door with 90KR Mullion



Dimensions



Listings and Approvals



UL Listed Panic Hardware



UBC 97, Standard 7-2 and UL10B/UL10C for positive pressure



UL Listed Fire Exit Hardware for 3 hours, maximum 4'x10' single doors and pairs of 4'x8' with F90KR keyed removable mullion



Meets NFPA 80 & 101 for Life Safety



Meets ADA requirements



Miami-Dade County, Florida NOA 15-0415.08

State of Florida Approval FL9052



ANSI/BHMA certified A156.3



California State Fire Marshall 4140-0127:105 and 3725-0127:108

Accessories

- GB1 - Glass Bead Kit
- SN1 - Sex Nut Kit (2 per package)
- SSK - Security Torx Screw Kit
- Trim Functions (see Outside Trims)
- Electrified Options (see Electrified Options)

Technical Information

- Door Types - Wood, Hollow Metal, Fiberglass or Aluminum
- Door Thickness - Fits standard 1-3/4" - 2-1/4" doors (for other door thicknesses contact factory)
- Minimum Stile - 4-5/8" with standard 99 strike; 4-1/8" with optional 98 strike
- Fasteners - Machine and Self-Drilling Screws standard

Finishes

605 / US3	Polished Brass
606 / US4	Brushed Brass
611 / US9	Polished Bronze
612 / US10	Brushed Bronze
613 / US10B	Oil Rubbed Bronze
628 / US28	Aluminum Satin
629 / US32	Polished Stainless Steel
630 / US32D	Brushed Stainless Steel
693 / SPBLK	Black, Painted
695 / SP 313	Dark Bronze, Painted

Detex Limited Warranty

10 Year Mechanical/3 year Electrical Limited Manufacturer's Warranty



Detex Corporation
302 Detex Drive
New Braunfels, Texas 78130-3045 USA
PH. (830) 629-2900
(800) 729-3839
FAX (800) 653-3839
<http://www.detex.com>
USA Sales:
marketing@detex.com
International Sales:
export@detex.com

ADVANTEX® 20/21 SERIES (WIDE SURFACE VERTICAL ROD)

RATING

For no rating, leave blank
 F = Fire Rated (Less/No Dogging Only)

OUTSIDE TRIM / DEVICE FINISH

605 = Polished brass (PVD)
 606 = Brushed brass (PVD)
 611 = Polished bronze (PVD)
 612 = Brushed bronze (PVD)
 613 = Oil rubbed bronze (PVD)
 625 = Polished chrome
 626 = Brushed chrome (std. on lever trims)
 629 = Polished stainless steel
 630 = Brushed stainless steel (std. on pull trims & device)
 693 = Black, powder coated
 695 = Dark bronze, powder coated

DOGGING FUNCTION

LD = Less/No dogging
 HD = Hex key dogging
 CD = Cylinder key dogging

PRE-INSTALLED CYLINDERS
If cylinders provided by others, leave blank
 MC65 = Morrisse Cylinder(s) 6pin/Keyed 5
 IC7 = Morrisse Cylinder(s) IC housing
 IK7 = Morrisse Cylinder(s) InstaKey housing
 RC65 = Rim Cylinder(s) 6pin/Keyed 5
 ICTR = Rim Cylinder(s) IC housing
 IKTR = Rim Cylinder(s) InstaKey housing

ANTIMICROBIAL
 For no coating, leave blank
 AM = Antimicrobial Coating

ENDCAP
 EC1 = Ramped endcap*
 EC2 = Flush endcap (std. on all 628/693/695 finishes)

FLEX CONDUIT
 For no flex conduit, leave blank
 FC = End Cap with Flex Conduit

FASTENERS
 For standard machine, wood & self-drilling screws, leave blank
 SNT = Sex Nuts/Throughbolts

SERIES TYPE
 20 = SVR, wide stile
 20XW = Weatherized SVR, wide stile (non-electrified)
 21 = SVR, top rod only, wide stile
 21XW = Weatherized SVR, top rod only, wide stile (non-electrified)

DOOR HEIGHT/SVR HEIGHT
 For 84" door heights, leave blank
 84" high door
 96" high door
 120" high door

STRIKES
 97 = Surface

DOOR WIDTH
 24" wide door
 30" wide door
 36" wide door (3")*
 48" wide door (4")

SILENCER
 For standard pushpad, leave blank
 SLR = Silent Latch & Pushpad

OUTSIDE TRIM FUNCTION

For no outside trim, leave blank

01C = Exit only, blank plate
 01W = Dummy pull trim, Wide blank plate - long
 02C = Dummy pull trim
 02Z = Inactive Vandal pull handle (handed)
 03C = Key retracts latch; pull trim
 03Z = Key retracts latch; Vandal pull handle (handed)
 03W = Key retracts latch; wide plate - long
 03WS = Key retracts latch; plate - short
 03WS = Blank escutcheon; Wide lever handle (handed) (J, Q, S, T, U or FSB1076 lever)**

02D = Dummy lever trim
 08D = Active lever, key locks / unlocks lever; Wide lever handle (handed) (J, Q, S, T, U or FSB1076 lever)** (classroom)

09D = Lever trim active by key, locked when key removed; Wide lever handle (handed) (J, Q, S, T, U or FSB1076 lever***) (storeroom)

14D = Active lever, no key cylinder; Wide lever handle (handed) (J, Q, S, T, U or FSB1076 lever***) (passage)

CBK = Cylinder bracket kit; 03 only, plate & pull handle by others required

EU = Electric Unlock Trim (24VDC & Fail Secure [FSES] Std.) - Specify handing (not field reversible)

Fire-rated trims must be fail safe (FSA)

For EU (Electric Unlock Trim), see Outside Trim Function - For 12VDC specify 12VDC; For Fail Safe specify FSA.

**Other FSB levers available: 1016, 1035, 1058, 1075, 1093, 1119, 1147. FSB levers available in 630 finish only. See catalog pages for more information.

NOTE: * = default/standard

DOOR HANDING
 RHR = Right hand reverse*
 LHR = Left hand reverse

KEYSTOP
 For no key/stop, leave blank
 KS = Key Stop (Available with EA, EBXW, EE, EXEXR, EI functions)

SWITCHING
 For no switching, leave blank
 LX = Latch Bolt Signal Switch
 LXV = Latch Bolt 3Amp Current Switch

ELECTRIFIED FUNCTION

For no electrified function, leave blank

Standard

Select Arming Time and Auto Rearm
 " " = No Elec. Option

EA = Elec. Alarm

EAEX = Exit Alarm with Request To Exit (Signal) Switch

EAEXV = Exit Alarm with Request To Exit (3Amp Current) Switch

ED = Elec. Dogging

EX = Request To Exit (Signal) Switch

EXV = Request To Exit (3Amp Current) Switch

Delayed Egress
 Select Arming Delay, Delayed Egress Time and Silent Arming

EE = Delayed Egress

Power Supply for Delayed Egress
 Comes standard with 90-800 power supply

Single = (1) 90-800 w/o bat backup
 Pair = (1) 90-800 w/o bat backup

Weatherized Alarms

Select Arming Time and Auto Rearm

EBW = Alarm Weatherized

EBEXW = Alarm Weatherized with Request To Exit (Signal) Switch

EBEXVW = Alarm Weatherized with Request To Exit (3Amp Current) Switch

Latch Retraction
 ER = Elec. Latch Retraction (silencer standard)

ERXW = Elec. Latch Retraction Weatherized (silencer standard)

Power Supply / Controller for Latch Retraction Only (ER & ERXW)
 Order/Sold Separately
 Single = 81-800
 Pair = 82-800
 2 Independent Singles = 83-800

Weatherized Others

ERXW = Elec. Latch Retraction Weatherized (silencer standard)

EXXW = Request To Exit (Signal) Switch Weatherized

EXVXW = Request To Exit (3Amp Current) Switch Weatherized

WIDE = Egress (see EasyKits)

Delayed Egress/Latch Retraction
 EEEXR = Delayed Egress with Elec. Latch Retraction (silencer standard)

EEEXRXULC = Delayed Egress with Elec. Latch Retraction (silencer standard) UL

Required Power Supply/Controller for Delayed Egress with Latch Retraction (EEEXR)
 Order/Sold Separately
 Single EEEXR = 84-800
 Pair of EEEXR = 85-800
 One EEEXR and One EE = 85-800XEE
 One EEEXR and One ER = 85-800XER

Also see online version at detex.com

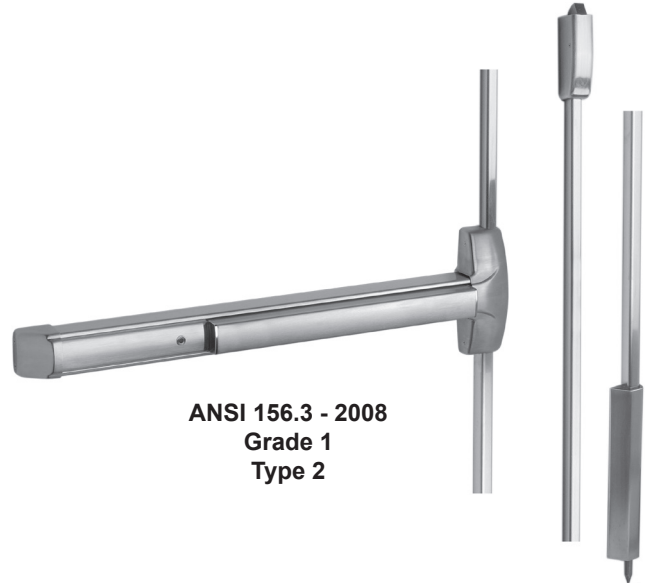
May 25, 2016



20 SERIES

Surface Vertical Rod Device

The 20 Series **surface vertical rod exit device** is super-heavy-duty **panic** and **fire exit hardware** for use on all types of double doors without a mullion. All 20 series SVR exit devices are supplied with top and bottom rod covers and an ADA compliant ramped bottom bolt cover. The patented mounting plate and strike locator system ensures the easiest and most accurate installation of panic hardware available.



**ANSI 156.3 - 2008
Grade 1
Type 2**

Benefits

- Tough and durable design for years of trouble-free service in high-use, high-abuse environments
- Minimal door prep saves time and money
- Security enhanced by stainless steel rod covers, standard
- Fast and accurate installation
- Outside trims are easily changed or rekeyed without removing device from door

Features

- Patented mounting plate and strike locator system replaces paper templates
- ADA ramped bottom bolt cover
- Heavy-duty angled end-cap deflects damage away from device
- Stainless steel deadlocking, Pullman-type top latch
- 1/8 turn hex or cylinder dogging
- Handed - field reversible
- Hardened steel bottom drop bolt with dust proof strike
- All exposed surfaces are finished over stainless steel with PVD, an environmentally friendly finishing process
- Field sizeable

Mechanical Options

- F - 3-Hour Fire Rated
- LD - Less Dogging
- 84 - 84" Door Height (Std.)
- AM - Anti-Microbial Coating
- 30 - Fits 30" Door Width
- 96 - 85" to 96" Door Height
- HD - Hex Dogging (Std.)
- 36 - Fits 36" Door Widths (Std.)
- 120 - 97" to 120" Door Height
- CD - Cylinder Dogging
- 48 - Fits 48" Door Widths

Electrical Options

- Exit Alarm (EA)
- Electric Unlock (EU)
- Request to Exit Weatherized for High Voltage (EXVxW)
- Electric Dogging (ED)
- Request to Exit (EX)
- Refer to Electrified Options section for more information
- Electric Latch Retraction (ER)
- Request to Exit for High Voltage (EXV)
- Delayed Egress - Self Contained (EE)
- Request to Exit Weatherized (EXxW)
- Delayed Egress with Latch Retraction (EExER)



Accessories

- GB3 - Glass Bead Kit - 7' Door Height (84")
- GB7 - Glass Bead Kit - 8' Door Height (85" - 96")
- GB11 - Glass Bead Kit - 10' Door Height (97" - 120")
- SN1 - Sex Nut Kit (2 per package)
- SSK- Security Torx Screw Kit
- Trim Functions (see Outside Trims)
- Electrified Options (see Electrified Options)

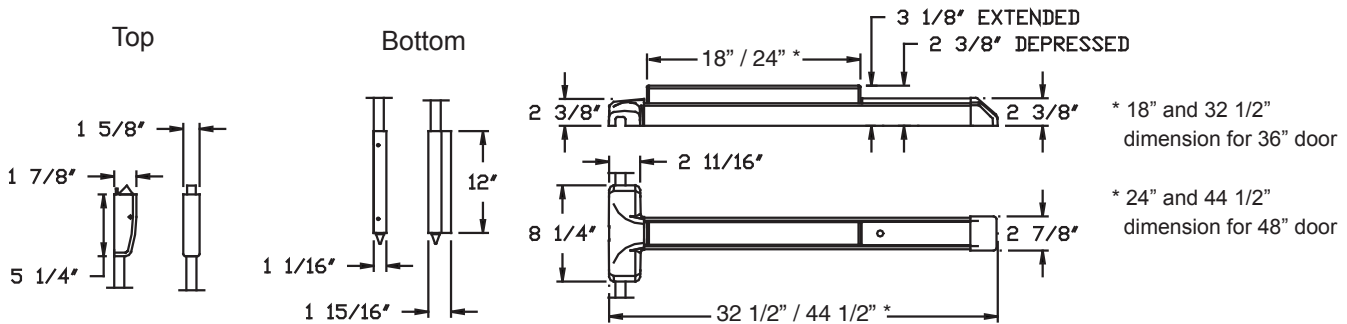
Technical Information

- Door Types - Wood, Hollow Metal, Fiberglass or Aluminum
- Door Thickness - Fits standard 1-3/4" - 2-1/4" doors (for other door thicknesses contact factory)
- Minimum Stile - 4-1/2" with standard 97 strike
- Fasteners - Machine and Self-Drilling Screws standard

Finishes

605 / US3	Polished Brass	628 / US28	Aluminum Satin	693 / SPBLK	Black, Painted
606 / US4	Brushed Brass	629 / US32	Polished Stainless Steel	695 / SP 313	Dark Bronze, Painted
611 / US9	Polished Bronze	630 / US32D	Brushed Stainless Steel		
612 / US10	Brushed Bronze				
613 / US10B	Oil Rubbed Bronze				

Dimensions



Listings and Approvals



UL Listed Panic Hardware



UBC 97, Standard 7-2 and UL10B/UL10C for positive pressure



UL Listed Fire Exit Hardware for 3 hours, maximum 4'x10' single doors and 8'x10' pairs of doors



Meets NFPA 80 & 101 for Life Safety



Meets ADA requirements



California State Fire Marshall
4140-0127:105 and
3725-0127:108



ANSI/BHMA certified A156.3

Detex Limited Warranty

10 Year Mechanical/3 year Electrical Limited Manufacturer's Warranty

Where Trust is Built™
DETEX®
Life Safety and Security Door Hardware

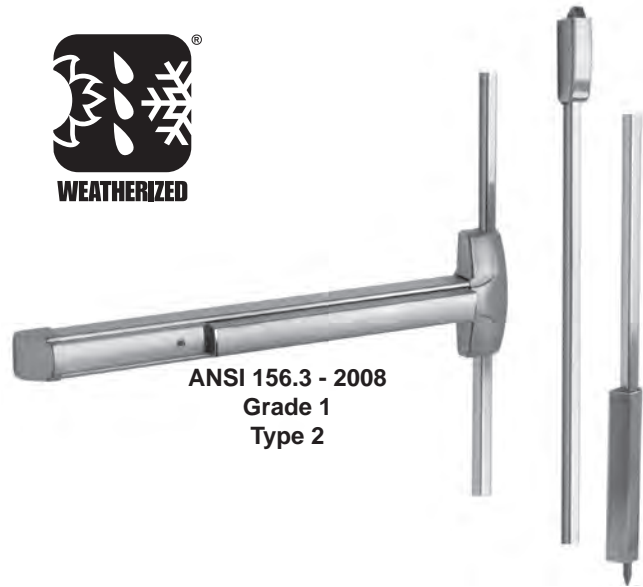
Detex Corporation
302 Detex Drive
New Braunfels, Texas 78130-3045 USA
PH. (830) 629-2900
(800) 729-3839
FAX (800) 653-3839
<http://www.detex.com>
USA Sales:
marketing@detex.com
International Sales:
export@detex.com



20xW SERIES

Weatherized Surface Vertical Rod Device

The 20xW Series **surface vertical rod exit device** is super-heavy-duty **panic and fire exit hardware** for use on all types of double doors or gates without a mullion that are or may be exposed directly to the weather. All 20 series SVR exit devices are supplied with top and bottom rod covers and an ADA compliant ramped bottom bolt cover. The patented mounting plate and strike locator system ensures the easiest and most accurate installation of panic hardware available. In addition to listing as UL panic and fire exit hardware device, this device conforms to UL1034-34 Temperature Section 34, UL1034-54 Dust Section 54, MIL-STD 810F, Method 506.4 (driving rain test); and MIL-STD 810F, Method 509.4 (salt fog test).



**ANSI 156.3 - 2008
Grade 1
Type 2**

Benefits

- Tough and durable design for years of trouble-free service in high-use, high-abuse or inclement weather environments
- Fast and accurate installation
- Minimal door prep saves time and money
- Outside trims are easily changed or rekeyed without removing device from door
- Security enhanced by stainless steel rod covers, standard

Features

- Patented mounting plate and strike locator system replaces paper templates
- Stainless steel deadlocking, Pullman-type top latch
- Hardened steel bottom drop bolt with dust proof strike
- ADA ramped bottom bolt cover
- 1/8 turn hex or cylinder dogging
- All exposed surfaces are finished over stainless steel with PVD, an environmentally friendly finishing process
- Field sizeable
- Heavy-duty angled end-cap deflects damage away from device
- Handed - field reversible
- Assembled using components resistant to temperature, dust, driving rain and salt fog
- Fasteners made of stainless steel 316 material

Mechanical Options

- AM - Anti-Microbial Coating
- HD - Hex Dogging (Std.)
- CD - Cylinder Dogging
- LD - Less Dogging
- 30 - Fits 30" Door Widths
- 36 - Fits 36" Door Widths (Std.)
- 48 - Fits 48" Door Widths
- 84 - 84" Door Height (Std.)
- 96 - 85" to 96" Door Height
- 120 - 97" to 120" Door Height

Electrical Options

- Electric Unlock (EU)
 - Request to Exit Weatherized (EXxW)
 - Request to Exit Weatherized for High Voltage (EXVxW)
- Refer to Electrified Options section for more information

Accessories

- GB3 - Glass Bead Kit - 7' Door Height (84")
- GB7 - Glass Bead Kit - 8' Door Height (85" - 96")
- GB11 - Glass Bead Kit - 10' Door Height (97" - 120")
- SN1 - Sex Nut Kit (2 per package)



Accessories Cont'd

- SSK- Security Torx Screw Kit
- Trim Functions (see Outside Trims)
- Electrified Options (see Electrified Options)
- GTPL - Adjustable Gate Plate

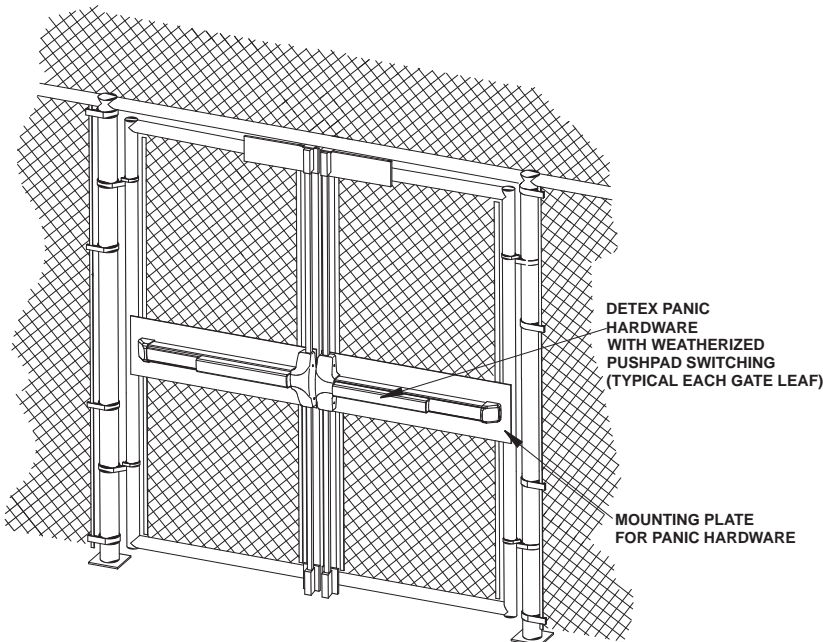
Technical Information

- Door Types - Wood, Hollow Metal, Fiberglass or Aluminum
- Door Thickness - Fits standard 1-3/4" - 2-1/4" doors (for other door thicknesses contact factory)
- Minimum Stile - 4-1/2" with standard 97 strike
- Fasteners - Machine and Self-Drilling Screws standard stainless steel 316 material
- **Recommended Plate Size**
Gate - 1/8" thick plate, galvanized, or painted steel or 1/4" thick aluminum plate, minimum Height - 10"
- Strike - 1/8" thick plated, galvanized, painted steel plate, angle iron, or 1/4" thick aluminum plate, minimum Height - 5"
- Stop - 1/8" thick plated, galvanized, or painted angle iron or 1/4" thick aluminum angle plate, minimum Height - 2"

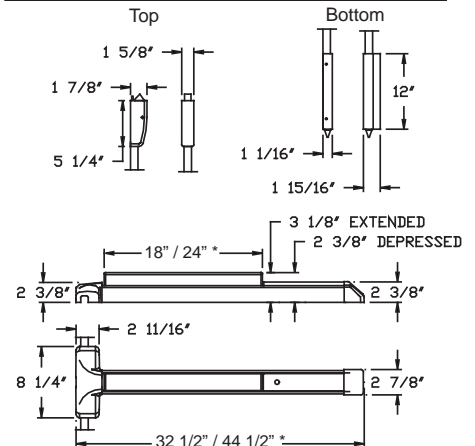
Finishes

605 / US3	Polished Brass	613 / US10B	Oil Rubbed Bronze	630 / US32D	Brushed Stainless Steel
606 / US4	Brushed Brass	628 / US28	Aluminum Satin	693 / SPBLK	Black, Painted
611 / US9	Polished Bronze	629 / US32	Polished Stainless Steel	695 / SP 313	Dark Bronze, Painted
612 / US10	Brushed Bronze				

Double Gate Riser



Dimensions



- * 18" and 32 1/2" dimension for 36" door
- * 24" and 44 1/2" dimension for 48" door

Detex Limited Warranty

10 Year Mechanical/3 year Electrical
Limited Manufacturer's Warranty

Listings and Approvals



UL Listed Panic Hardware



Meets ADA requirements



UL1034-34 Temperature Section 34
[Temperature Range -31° F (-35° C) to 150° F (+66° C)]

MIL-STD 810F (G), Method 509.4
(Salt Fog Test)

MIL-STD 810F (G), Method 506.4
(Driving Rain), Procedure 1



ANSI/BHMA certified A156.3

Where Trust is Built™
DETEX®
Life Safety and Security Door Hardware

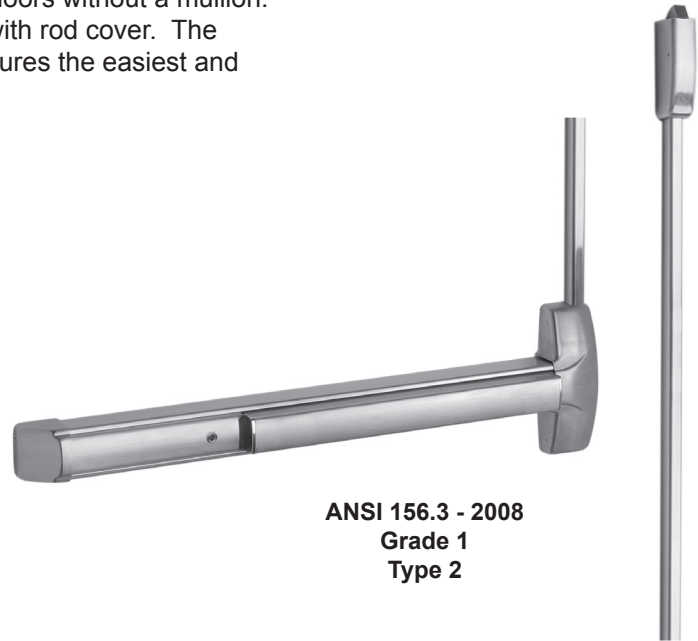
Detex Corporation
302 Detex Drive
New Braunfels, Texas 78130-3045 USA
PH. (830) 629-2900
(800) 729-3839
FAX (800) 653-3839
<http://www.detex.com>
USA Sales:
marketing@detex.com
International Sales:
export@detex.com



21 SERIES

Surface Vertical Top Rod Only Device

The 21 Series **surface vertical rod exit device** is super-heavy-duty **panic** and **fire exit hardware** for use on all types of double doors without a mullion. All 21 Series Top Rod Only exit devices are supplied with rod cover. The patented mounting plate and strike locator system ensures the easiest and most accurate installation of panic hardware available.



**ANSI 156.3 - 2008
Grade 1
Type 2**

Benefits

- Tough and durable design for years of trouble-free service in high-use, high-abuse environments
- Fast and accurate installation
- Minimal door prep saves time and money
- Outside trims are easily changed or rekeyed without removing device from door
- Security enhanced by stainless steel rod covers, standard

Features

- Patented mounting plate and strike locator system replaces paper templates
- Stainless steel deadlocking, Pullman-type top latch
- 1/8 turn hex or cylinder dogging
- All exposed surfaces are finished over stainless steel with PVD, an environmentally friendly finishing process
- Heavy-duty angled end-cap deflects damage away from device
- Handed - field reversible
- Field sizeable

Mechanical Options

- F - 3-Hour Fire Rated
- HD - Hex Dogging (Std.)
- AM - Anti-Microbial Coating
- CD - Cylinder Dogging
- LD - Less Dogging
- 30 - Fits 30" Door Width
- 36 - Fits 36" Door Widths (Std.)
- 48 - Fits 48" Door Widths
- 84 - 84" Door Height (Std.)
- 96 - 85" to 96" Door Height
- 120 - 97" to 120" Door Height

Electrical Options

- Exit Alarm (EA)
- Electric Dogging (ED)
- Electric Latch Retraction (ER)
- Delayed Egress - Self Contained (EE)
- Delayed Egress with Latch Retraction (EExER)
- Electric Unlock (EU)
- Request to Exit (EX)
- Request to Exit for High Voltage (EXV)
- Request to Exit Weatherized (EXxW)
- Request to Exit Weatherized for High Voltage (EXVxW)

Refer to Electrified Options section for more information

Accessories

- GB4 - Glass Bead Kit - 7' Door Height (84")
- GB8 - Glass Bead Kit - 8' Door Height (85" - 96")
- GB12 - Glass Bead Kit - 10' Door Height (97" - 120")
- SN1 - Sex Nut Kit (2 per package)
- SSK- Security Torx Screw Kit
- Trim Functions (see Outside Trims)
- Electrified Options (see Electrified Options)

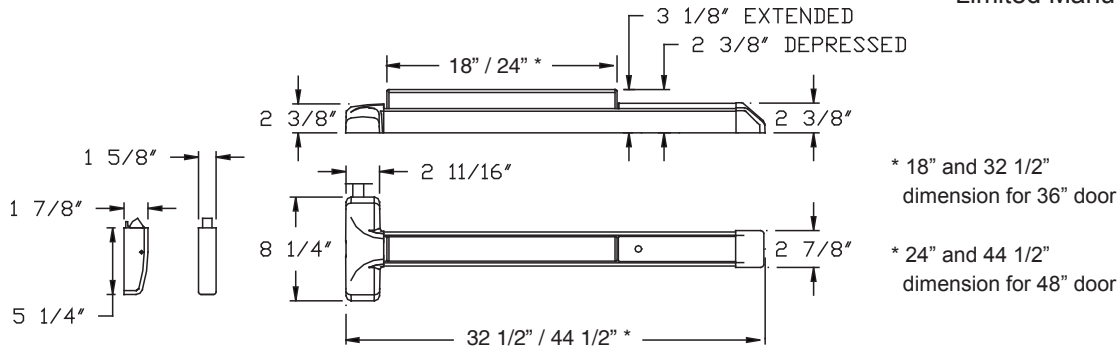
Technical Information

- Door Types - Wood, Hollow Metal, Fiberglass or Aluminum
- Door Thickness - Fits standard 1-3/4" - 2-1/4" doors (for other door thicknesses contact factory)
- Minimum Stile - 4-1/2" with standard 97 strike
- Fasteners - Machine and Self-Drilling Screws standard

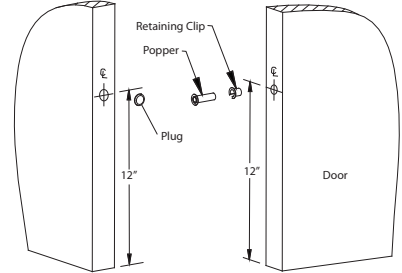
Finishes

605 / US3	Polished Brass	629 / US32	Polished Stainless Steel
606 / US4	Brushed Brass	630 / US32D	Brushed Stainless Steel
611 / US9	Polished Bronze	693 / SPBLK	Black, Painted
612 / US10	Brushed Bronze	695 / SP 313	Dark Bronze, Painted
613 / US10B	Oil Rubbed Bronze		
628 / US28	Aluminum Satin		

Dimensions



Popper Detail for Fire Rated Device



Detex Limited Warranty

10 Year Mechanical/3 year Electrical Limited Manufacturer's Warranty

Listings and Approvals



UL Listed Panic Hardware



UBC 97, Standard 7-2 and UL10B/UL10C for positive pressure



UL Listed Fire Exit Hardware for 3 hours, maximum 4'x10' single doors and 8'x10' pairs of doors



Meets NFPA 80 & 101 for Life Safety



Meets ADA requirements



California State Fire Marshall 4140-0127:105 and 3725-0127:108



ANSI/BHMA certified A156.3



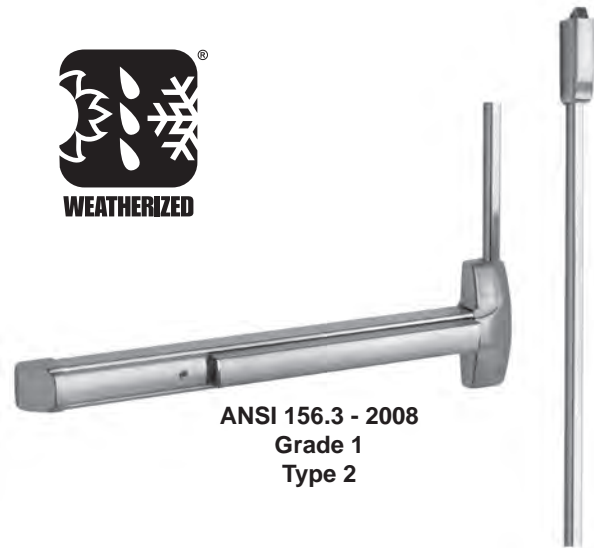
Detex Corporation
 302 Detex Drive
 New Braunfels, Texas 78130-3045 USA
 PH. (830) 629-2900
 (800) 729-3839
 FAX (800) 653-3839
<http://www.detex.com>
 USA Sales:
marketing@detex.com
 International Sales:
export@detex.com



21xW SERIES

Weatherized Surface Vertical Top Rod Only Device

The 21xW Series **surface vertical rod exit device** is super-heavy-duty **panic** and **fire exit hardware** for use on all types of double doors or gates without a mullion that are or may be exposed directly to the weather. All 21 Series Top Rod Only exit devices are supplied with top and bottom rod covers and an ADA compliant ramped bottom bolt cover. The patented mounting plate and strike locator system ensures the easiest and most accurate installation of panic hardware available. In addition to listing as UL panic and fire exit hardware device, this device conforms to UL1034-34 Temperature Section 34, UL1034-54 Dust Section 54, MIL-STD 810F, Method 506.4 (driving rain test); and MIL-STD 810F, Method 509.4 (salt fog test).



**ANSI 156.3 - 2008
Grade 1
Type 2**

Benefits

- Tough and durable design for years of trouble-free service in high-use, high-abuse or inclement weather environments
- Minimal door prep saves time and money
- Security enhanced by stainless steel rod covers, standard
- Fast and accurate installation
- Outside trims are easily changed or rekeyed without removing device from door

Features

- Patented mounting plate and strike locator system replaces paper templates
- 1/8 turn hex or cylinder dogging
- Heavy-duty angled end-cap deflects damage away from device
- Stainless steel deadlocking, Pullman-type top latch
- All exposed surfaces are finished over stainless steel with PVD, an environmentally friendly finishing process
- Assembled using components resistant to temperature, dust, driving rain and salt fog
- Handed - field reversible
- Field sizeable
- Fasteners made of stainless steel 316 material

Mechanical Options

- AM - Anti-Microbial Coating
- LD - Less Dogging
- 48 - Fits 48" Door Widths
- HD - Hex Dogging (Std.)
- 30 - Fits 30" Door Widths
- 84 - 84" Door Height (Std.)
- CD - Cylinder Dogging
- 36 - Fits 36" Door Widths (Std.)
- 96 - 85" to 96" Door Height
- 120 - 97" to 120" Door Height

Electrical Options

- Electric Unlock (EU)
- Request to Exit Weatherized for High Voltage (EXVxW)
- Refer to Electrified Options section for more information
- Request to Exit Weatherized (EXxW)

Accessories

- GB4 - Glass Bead Kit - 7' Door Height (84")
- SN1 - Sex Nut Kit (2 per package)
- GB8 - Glass Bead Kit - 8' Door Height (85" - 96")
- SSK- Security Torx Screw Kit
- GB12 - Glass Bead Kit - 10' Door Height (97" - 120")
- Trim Functions (see Outside Trims)
- Electrified Options (see Electrified Options)



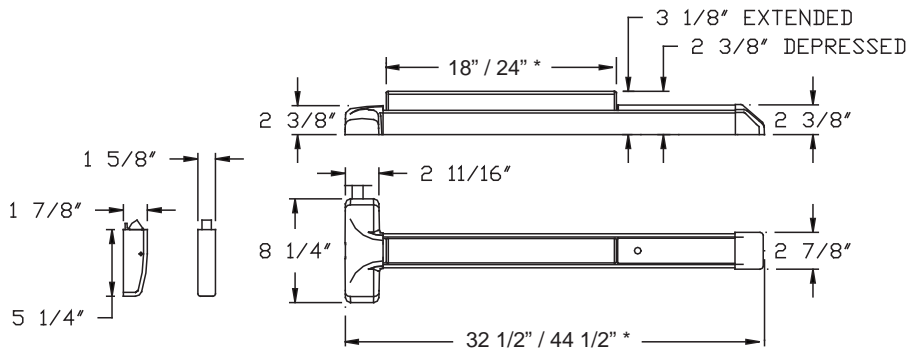
Technical Information

- Door Types - Wood, Hollow Metal, Fiberglass or Aluminum
- Minimum Stile - 4-1/2" with standard 97 strike
- Door Thickness - Fits standard 1-3/4" - 2-1/4" doors (for other door thicknesses contact factory)
- Fasteners - Machine and Self-Drilling Screws standard stainless steel 316 material

Finishes

605 / US3	Polished Brass	613 / US10B	Oil Rubbed Bronze	630 / US32D	Brushed Stainless Steel
606 / US4	Brushed Brass	628 / US28	Aluminum Satin	693 / SPBLK	Black, Painted
611 / US9	Polished Bronze	629 / US32	Polished Stainless Steel	695 / SP 313	Dark Bronze, Painted
612 / US10	Brushed Bronze				

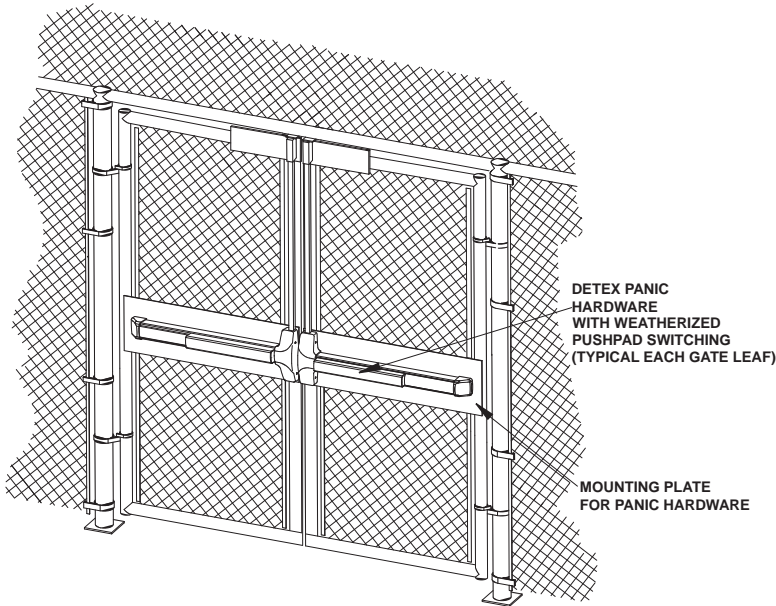
Dimensions



* 18" and 32 1/2" dimension for 36" door

* 24" and 44 1/2" dimension for 48" door

Riser Diagram



Detex Limited Warranty
 10 Year Mechanical/3 year Electrical
 Limited Manufacturer's Warranty

Listings and Approvals



UL Listed Panic Hardware



Meets ADA requirements



UL1034-34 Temperature Section 34
 [Temperature Range -31° F (-35° C) to 150° F (+66° C)]

MIL-STD 810F (G), Method 509.4 (Salt Fog Test)



UL1034-54 Dust Section 54
 ANSI/BHMA certified A156.3

MIL-STD 810F (G), Method 506.4 (Driving Rain), Procedure 1

Where Trust is Built™
DETEX®
 Life Safety and Security Door Hardware

Detex Corporation
 302 Detex Drive
 New Braunfels, Texas 78130-3045 USA

PH. (830) 629-2900

(800) 729-3839

FAX (800) 653-3839

http://www.detex.com

USA Sales:

marketing@detex.com

International Sales:

export@detex.com



27 SERIES

High Security Relatching Surface Vertical Rod Device

The 27 Series high security surface vertical rod exit device is super-heavy-duty panic and fire exit hardware for use on all types of double doors without a mullion. The 27 Series is available with both top and bottom rods, but not available with top rod only. The patented mounting plate and strike locator system ensures the easiest and most accurate installation of panic hardware available.

Benefits

- Tough and durable design for years of trouble-free service in high-use, high-abuse environments
- Security enhanced by oversized, heavy duty relatching top and bottom bolts
- Minimal door prep saves time and money
- Outside trims are easily changed or rekeyed without removing device from door
- Fast and accurate installation saves time and money

Features

- Patented mounting plate and strike locator system replaces paper templates
- Stainless steel relatching, top bolt
- Hardened steel bottom drop bolt with optional dust proof strike
- Heavy-duty angled endcap deflects damage away from device
- Bottom bolt cover
- 1/8 turn hex or cylinder dogging
- All exposed surfaces are finished over stainless steel with PVD, an environmentally friendly finishing process
- Handed - field reversible
- Field sizeable

Mechanical Options

- T - Tornado/Windstorm Rated (FEMA 361) - up to 42" wide and 88" height
- F - Contact factory for availability
- AM - Anti-Microbial Coating
- HD - Hex Dogging (Std.)
- CD - Cylinder Dogging
- LD - Less Dogging
- 30 - Fits 30" Door Widths
- 36 - Fits 36" Door Widths (Std.)
- 48 - Fits 48" Door Widths
- 84 - 84" Door Height (Std.)
- 96 - 85" to 96" Door Height
- 120 - 97" to 120" Door Height

Electrical Options

- Exit Alarm (EA)
- Electric Dogging (ED)
- Electric Latch Retraction (ER)
- Delayed Egress - Self Contained (EE)
- Delayed Egress with Latch Retraction (EEExER)
- Electric Unlock (EU)
- Request to Exit (EX)
- Request to Exit for High Voltage (EXV)

Refer to Electrified Options section for more information



Accessories

- GB3 - Glass Bead Kit - 7' Door Height (84")
- GB7 - Glass Bead Kit - 8' Door Height (85" - 96")
- GB11 - Glass Bead Kit - 10' Door Height (97" - 120")
- SN1 - Sex Nut Kit (2 per package)
- SSK- Security Torx Screw Kit
- Trim Functions (see Outside Trims)
- Electrified Options (see Electrified Options)

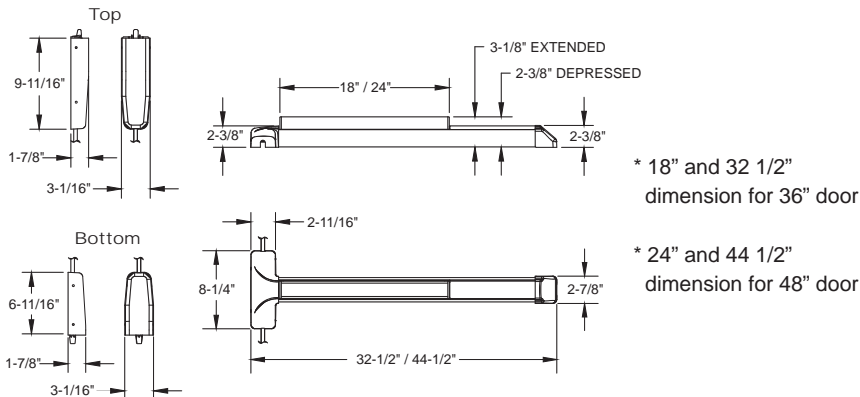
Technical Information

- Door Types - Wood, Hollow Metal, Fiberglass or Aluminum
- Door Thickness - Fits standard 1-3/4" - 2-1/4" doors (for other door thicknesses contact factory)
- Minimum Stile - 4-1/2" with standard 999 strike
- 1-1/2" minimum frame stop width
- Fasteners - Machine and Self-Drilling Screws standard

Finishes

605 / US3	Polished Brass	628 / US28	Aluminum Satin	693 / SPBLK	Black, Painted
606 / US4	Brushed Brass	629 / US32	Polished Stainless Steel	695 / SP 313	Dark Bronze, Painted
611 / US9	Polished Bronze				
612 / US10	Brushed Bronze	630 / US32D	Brushed Stainless Steel		
613 / US10B	Oil Rubbed Bronze				

Dimensions



Detex Limited Warranty

10 Year Mechanical/3 year Electrical
Limited Manufacturer's Warranty

Listings and Approvals



UL Listed Panic Hardware



ULC 97, Standard 7-2 and UL10B/UL10C for positive pressure



UL Listed Fire Exit Hardware for 3 hours, maximum 4'x10' single doors and 8'x10' pairs of doors



Meets NFPA 80 & 101 for Life Safety



Meets ADA requirements

Qualified to meet FEMA 361; Tested at TEXAS Tech University National Wind Institute



ANSI/BHMA certified A156.3

Where Trust is Built™
DETEX®
Life Safety and Security Door Hardware

Detex Corporation
302 Detex Drive
New Braunfels, Texas 78130-3045 USA
PH. (830) 629-2900
(800) 729-3839
FAX (800) 653-3839
<http://www.detex.com>
USA Sales:
marketing@detex.com
International Sales:
export@detex.com

ADVANTEX® 30 SERIES (MORTISE)

RATING
 For no rating, leave blank
 "F" = Fire Rated (Less/No Dogging Only)

OUTSIDE TRIM / DEVICE FINISH

- 605 = Polished brass (PVD)
- 606 = Brushed bronze (PVD)
- 611 = Polished bronze (PVD)
- 612 = Brushed bronze (PVD)
- 613 = Oil rubbed bronze
- 625 = Polished chrome
- 626 = Brushed chrome (std. on lever trims)
- 629 = Polished stainless steel
- 630 = Brushed stainless steel (std. on pull trims & device)
- 693 = Black, powder coated
- 695 = Dark bronze, powder coated

STRIKES

- 90 = Non-handed curved lip
- 91 = ANSI flat lip
- 92 = Double door short open back
- 93 = Double door long open back

PRE-INSTALLED CYLINDERS
 If cylinders provided by others, leave blank
 MC65 = Mortise Cylinder(s) 6pin/Keyed 5
 IC7 = Mortise Cylinder(s) SFIC housing
 IK7 = Mortise Cylinder(s) InstakKey housing
 RC65 = Rim Cylinder(s) 6pin/Keyed 5
 IC7R = Rim Cylinder(s) SFIC housing
 IK7R = Rim Cylinder(s) InstakKey housing

Specify KA for Keyed Alike

ENDCAP

EC1 = Ramped endcap*
 EC2 = Flush endcap (std. on all 629/693/695 finishes)

FLEX CONDUIT

For no flex conduit, leave blank
 FC = End Cap with Flex Conduit

FASTENERS

For standard machine, wood & self-drilling screws, leave blank
 SN1 = Sex Nuts/Throughbolts

SERIES TYPE

30 = Mortise lock exit device

KNURLING

For no knurling, leave blank
 KN = Knurled (lever trim only)

OUTSIDE TRIM FUNCTION

- 01CM = Exit only, blank plate
- 01WM = Dummy pull trim, Wide blank plate - long
- 02CM = Dummy pull trim
- 03CM = Key retracts latch; pull trim
- 03WM = Key retracts latch; wide plate - long
- 01DM = Blank escutcheon; Wide lever handle (handed) (J, Q, S, T, U or FSB1076 lever)**
- 02DM = Dummy lever trim
- 08DM = Active lever, key locks / unlocks lever; Wide lever handle (handed) (J, Q, S, T, U or FSB1076 lever**)
- 09DM = Lever firm active by key; locked when key removed; Wide lever handle (handed) (J, Q, S, T, U or FSB1076 lever**)
- 10DM = Double cylinder; Wide lever handle (handed) (J, Q, S, T, U or FSB1076 lever**)
- 14DM = Active lever, no key cylinder; Wide lever handle (handed) (J, Q, S, T, U or FSB1076 lever**)
- CBK = Cylinder bracket kit, 03 only, plate & pull handle by others required
- EUXDM = Electric Unlock Trim (24VDC & Fail Secure FSEI Std.) - Specify handing (not field reversible). For 12VDC specify 12VDC. For Fail Safe specify FSA

DOOR HANDING

RHR = Right hand reverse*
 LHR = Left hand reverse

KEYSTOP

For no keystop, leave blank
 KS = Key Stop (Available with EA, EE, EXER, EI functions)

DOGGING FUNCTION

LD = Less/No dogging
 HD = Hex key dogging
 CD = Cylinder key dogging

ELECTRIFIED FUNCTION

For no electrified function, leave blank

Standard

- EA = Hardwired Elec. Alarm
- EAXEX = Exit Alarm with Request To Exit (Signal) Switch
- EAXEXV = Exit Alarm with Request To Exit (3Amp Current) Switch
- ED = Elec. Dogging
- EX = Request To Exit (Signal) Switch
- EXV = Request To Exit (3Amp Current) Switch
- ES = Elec. Switching (dead latch & OKC switches)

Delayed Egress

Select Arming Delay, Delayed Egress Time and Silent Arming
 EE = Delayed Egress

Power Supply for Delayed Egress

Comes standard with 90-800 power supply
 Single = (1) 90-800 w/o bat backup
 Pair = (1) 90-800 w/o bat backup

ANTIMICROBIAL

For no coating, leave blank
 AM = Antimicrobial Coating

DOOR WIDTH

- 24" wide door
- 30" wide door
- 36" wide door (3)*
- 48" wide door (4)

SILENCER

For standard pushpad, leave blank
 SLR = Silent Latch & Pushpad

Delayed Egress/Latch Retraction

EXER = Delayed Egress with Elec. Latch Retraction (silencer standard)
 EEXERxULC = Delayed Egress with Elec. Latch Retraction (silencer standard) UL Canada

Required Power Supply/Controller for Delayed Egress with Latch Retraction (EEXER)

Order/Sold Separately
 Single EEXER = 84-800
 Pair of EEXER = 85-800
 One EEXER and One EE = 85-800XEE
 One EEXER and One ER = 85-800XER

Weatherized Others

ERxW = Elec. Latch Retraction Weatherized (silencer standard)
 EExW = Request To Exit (Signal) Switch Weatherized
 EXVxW = Request To Exit (3Amp Current) Switch Weatherized
 WDE = Weatherized Delayed Egress (see EasyKits)

Fire-rated trims must be fail safe (FSA)

**Other FSB levers available: 1016, 1035, 1058, 1075, 1093, 1119, 1147. FSB levers available in 630 finish only. See catalog pages for more information.

NOTE: * = default/standard

Also see online version at detex.com/hto

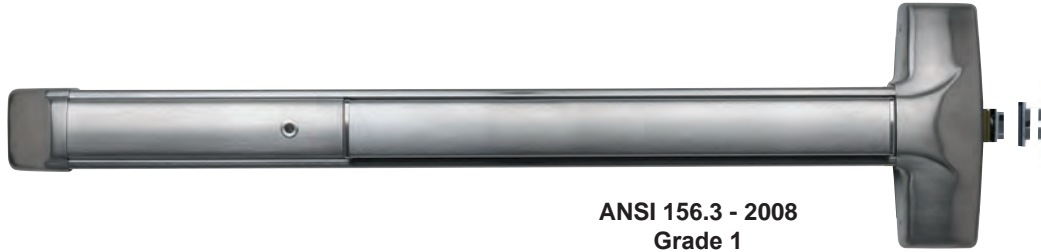
September 1, 2016



30 SERIES

Mortise Lock Exit Device

The 30 Series mortise lock exit device is super-heavy-duty **panic and fire exit hardware** for use on all types of single and double doors. The patented mounting plate and strike locator system ensures the easiest and most accurate installation of panic hardware available.



ANSI 156.3 - 2008
Grade 1
Type 3

Benefits

- Tough and durable design for years of trouble-free service in high-use, high-abuse environments
- Minimal door prep saves time and money
- Easy retrofit to other manufacturers
- Fast and accurate installation
- Outside trims are easily changed or re-keyed without removing device from door

Features

- 3/4" Projection Stainless Steel latch bolt
- All exposed surfaces are finished over stainless steel with PVD, an environmentally-friendly finishing process
- 1/8 turn dogging
- Anti-friction, deadlocking, latch bolt
- Non-handed, field sizeable
- Patented mounting plate and strike locator system
- Heavy-duty angled end-cap deflects damage away from device

Mechanical Options

- F - 3-Hour Fire Rated
- 90 ANSI Strike (Std.)
- 30 - Fits 30" Door Width
- AM - Anti-Microbial Coating
- 91 ANSI Flat Lip Strike
- 36 - Fits 36" Door Width (Std.)
- CD - Cylinder Dogging
- 92 Double Door Short Open Back Strike
- 48 - Fits 48" Door Width
- HD - Hex Dogging (Std.)
- 93 - Double Door Long Open Back Strike
- LD - Less Dogging

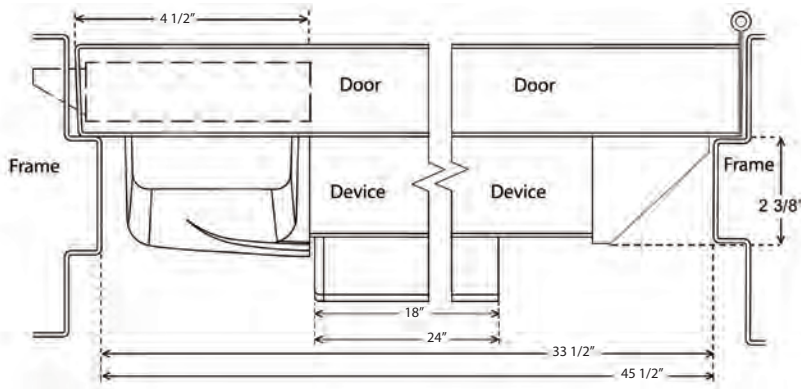
Electrical Options

- Exit Alarm (EA)
- Delayed Egress with Latch Retraction (EEExER)
- Refer to Electrified Options section for more information
- Electric Dogging (ED)
- Request to Exit (EX)
- Electric Latch Retraction (ER)
- Request to Exit for High Voltage (EXV)
- Delayed Egress Self-Contained (EE)

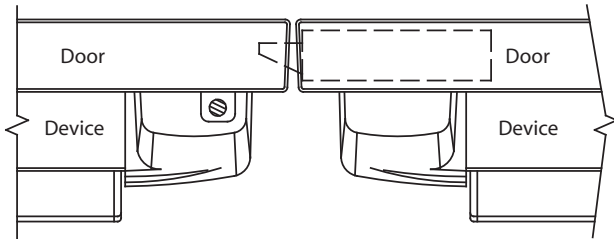
Accessories

- SN1 - Sex Nut Kit (2 per package)
- KS - Key Stop - key removed only when armed
- GB16 - Glass Bead Kit

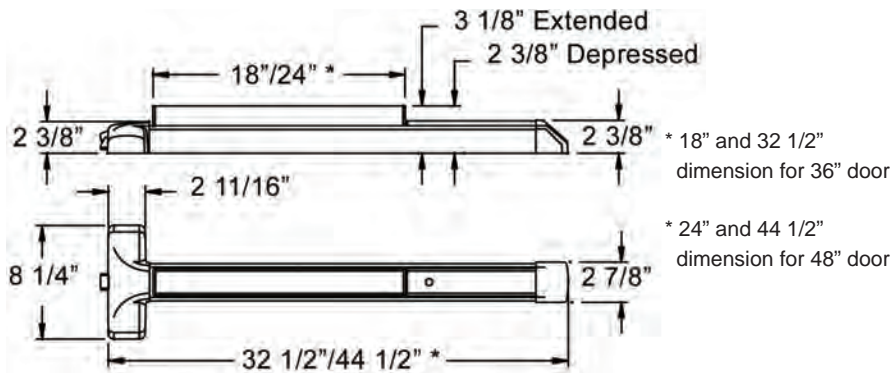
Single Door



Double Door with Mortise and Vertical Rod



Dimensions



Technical Information

- Door Types - Wood, Hollow Metal, Fiberglass or Aluminum
- Door Thickness - Fits standard 1-3/4" - 2-1/4" doors (for other door thicknesses contact factory)
- Minimum Stile - 4-3/4"
- Machine and Self-Drilling Screws (Std.)
- Optional Sex Nuts for wood or composite doors
- Security Torx screws available

Finishes

605 / US3	Polished Brass
606 / US4	Brushed Brass
611 / US9	Polished Bronze
612 / US10	Brushed Bronze
613 / US10B	Oil Rubbed Bronze
628 / US28	Aluminum Satin
629 / US32	Polished Stainless Steel
630 / US32D	Brushed Stainless Steel
693 / SPBLK	Black, Painted
695 / SP 313	Dark Bronze, Painted

Detex Limited Warranty

10 Year Mechanical/3 Year Electrical Limited Manufacturer's Warranty

Listings and Approvals



UL Listed Panic Hardware



UBC 97, Standard 7-2 and UL10B/UL10C for positive pressure



UL Listed Fire Exit Hardware for 3 hours, maximum 4'x10' single doors and 8'x10' pairs of doors combined with Surface Vertical Rod



Meets NFPA 80 & 101 for Life Safety



Meets ADA requirements



California State Fire Marshal 4140-0127:105 and 3725-0127:108



ANSI/BHMA certified A156.3

Where Trust is Built™
DETEX®
Life Safety and Security Door Hardware

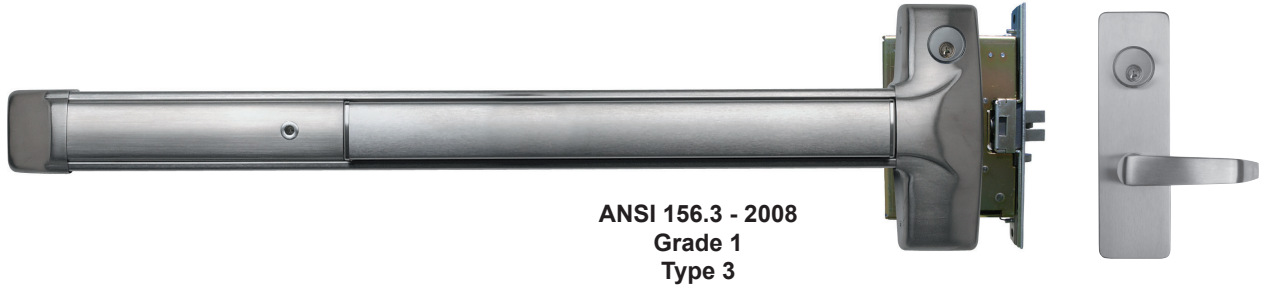
Detex Corporation
 302 Detex Drive
 New Braunfels, Texas 78130-3045 USA
 PH. (830) 629-2900
 (800) 729-3839
 FAX (800) 653-3839
<http://www.detex.com>
 USA Sales:
marketing@detex.com
 International Sales:
export@detex.com



3010D SERIES

Mortise Lock Exit Device (Double Cylinder)

The 30 Series mortise lock exit device is super-heavy-duty panic and fire exit hardware for use on all types of single and double doors. The patented mounting plate and strike locator system ensures the easiest and most accurate installation of panic hardware available.



ANSI 156.3 - 2008
Grade 1
Type 3

Benefits

- Tough and durable design for years of trouble-free service in high-use, high-abuse environments
- Fast and accurate installation
- Minimal door prep saves time and money
- Outside trims are easily changed or re-keyed without removing device from door
- Gives ability to lock outside lever trim from the inside, protecting people and property inside from outside threats
- Easy retrofit to other manufacturers

Features

- 3/4" Projection Stainless Steel latch bolt
- Anti-friction, deadlocking, latch bolt
- All exposed surfaces are finished over stainless steel with PVD, an environmentally-friendly finishing process
- Handed, field sizeable
- 1/8 turn hex or cylinder dogging
- Patented mounting plate and strike locator system
- Heavy-duty angled end-cap deflects damage away from device

Mechanical Options

- F - 3-Hour Fire Rated
- AM - Anti-Microbial Coating
- CD - Cylinder Dogging
- HD - Hex Dogging (Std.)
- LD - Less Dogging
- 90 ANSI Strike (Std.)
- 91 ANSI Flat Lip Strike
- 92 Double Door Short Open Back Strike
- 93 - Double Door Long Open Back Strike
- 30 - Fits 30" Door Width
- 36 - Fits 36" Door Width (Std.)
- 48 - Fits 48" Door Width
- SLR - Silencer

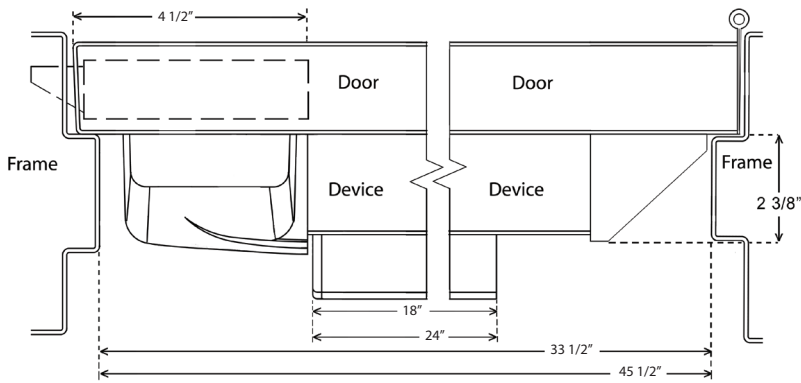
Electrical Options

- Exit Alarm (EA)
 - Electric Dogging (ED)
 - Electric Latch Retraction (ER)
 - Request to Exit (EX)
 - Request to Exit for High Voltage (EXV)
- Refer to Electrified Options section for more information

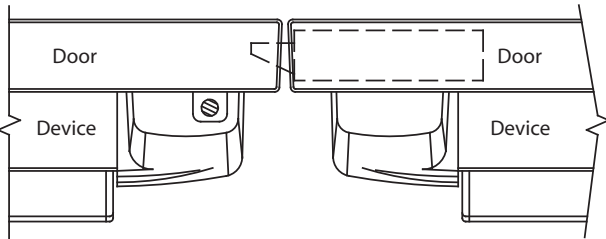
Accessories

- SN1 - Sex Nut Kit (2 per package)
- GB16 - Glass Bead Kit

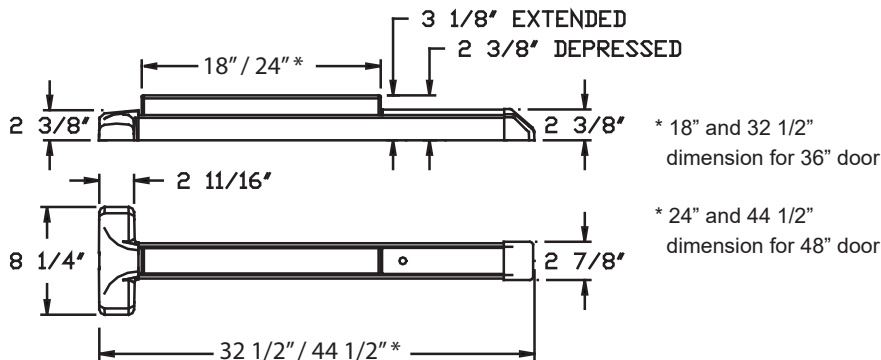
Single Door



Double Door with Mortise and Vertical Rod



Dimensions



Technical Information

- Door Types - Wood, Hollow Metal, Fiberglass or Aluminum
- Door Thickness - Fits standard 1-3/4" - 2-1/4" doors (for other door thicknesses contact factory)
- Minimum Stile - 4-3/4"
- Machine and Self-Drilling Screws (Std.)
- Optional Sex Nuts for wood or composite doors
- Security Torx screws available

Finishes

605 / US3	Polished Brass
606 / US4	Brushed Brass
611 / US9	Polished Bronze
612 / US10	Brushed Bronze
613 / US10B	Oil Rubbed Bronze
628 / US28	Aluminum Satin
629 / US32	Polished Stainless Steel
630 / US32D	Brushed Stainless Steel
693 / SPBLK	Black, Painted
695 / SP 313	Dark Bronze, Painted

Detex Limited Warranty

10 Year Mechanical/3 Year Electrical Limited Manufacturer's Warranty

Listings and Approvals



UL Listed Panic Hardware



ULC 97, Standard 7-2 and UL10B/UL10C for positive pressure



UL Listed Fire Exit Hardware for 3 hours, maximum 4'x10' single doors and 8'x10' pairs of doors combined with Surface Vertical Rod



Meets NFPA 80 & 101 for Life Safety



Meets ADA requirements



California State Fire Marshall 4140-0127:105 and 3725-0127:108



ANSI/BHMA certified A156.3

Where Trust is Built™
DETEX®
Life Safety and Security Door Hardware

Detex Corporation
302 Detex Drive
New Braunfels, Texas 78130-3045 USA
PH. (830) 629-2900
(800) 729-3839
FAX (800) 653-3839
http://www.detex.com
USA Sales:
marketing@detex.com
International Sales:
export@detex.com

ADVANTEX® 40 SERIES (NARROW RIM)

RATING

For no rating, leave blank
H = Hurricane
F = Fire Rated (Less/No Dogging Only)
FH = Hurricane and Fire Rated

OUTSIDE TRIM / DEVICE FINISH

605 = Polished brass (PVD)
606 = Brushed brass (PVD)
611 = Polished bronze (PVD)
612 = Brushed bronze (PVD)
613 = Oil rubbed bronze
625 = Polished chrome
626 = Brushed chrome (std. on lever trims)
629 = Polished stainless steel
630 = Brushed stainless steel (std. on pull trims & device)
693 = Black, powder coated
695 = Dark bronze, powder coated

DOGGING FUNCTION

LD = Less/No dogging
HD = Hex key dogging
CD = Cylinder key dogging

PRE-INSTALLED CYLINDERS

If cylinders provided by others, leave blank
MC65 = Mortise Cylinder(s) 6pin/Keyed 5
IC7 = Mortise Cylinder(s) SFIC housing
IK7 = Mortise Cylinder(s) Instakey housing
RC65 = Rim Cylinder(s) 6pin/Keyed 5
IC7R = Rim Cylinder(s) SFIC housing
IK7R = Rim Cylinder(s) Instakey housing

ENDCAP
EC1 = Ramped endcap*
EC2 = Flush endcap (std. on all 628/693/695 finishes)

FLEX CONDUIT

For no flex conduit, leave blank
FC = End Cap with Flex Conduit

FASTENERS

For standard machine, wood & self-drilling screws, leave blank
SN1 = Sex Nuts/Throughbolts (Hurricane rated hardware includes sex nuts for latch bolt)

KNURLING
 For no knurling, leave blank
KN = Knurled (lever trim only)

SERIES TYPE
40 = Rim device, narrow stile
40xW = Weatherized Rim device, narrow stile (non-electrified)

OUTSIDE TRIM FUNCTION
 For no outside trim, leave blank
01CN = Exit only, blank plate
02CN = Dummy pull trim
03CN = Key retracts latch; pull trim
03WS = Key retracts latch; plate - short
01DN = Blank escutcheon; Narrow lever handle (handed) (J, Q, S, T, U or FSB1076 lever)**
02DN = Dummy lever trim
08DN = Active lever, key locks / unlocks lever; Narrow lever handle (handed) (J, Q, S, T, U or FSB1076 lever)** (Classroom)

DOOR HANDING
RHR = Right hand reverse*
LHR = Left hand reverse

KEYSTOP
 For no key/stop, leave blank
KS = Key Stop (Available with EA, EBxW, EE, EEXER, EI functions)

STRIKES
98 = Semi-Mortise*
99 = Surface

ANTIMICROBIAL
 For no coating, leave blank
AM = Antimicrobial Coating

SILENCER
 For standard pushpad, leave blank
SLR = Silent Latch & Pushpad

ELECTRIFIED FUNCTION

For no electrified function, leave blank

Standard
Select Arming Time and Auto Rearm
EA = Elec. Alarm
EAXEX = Exit Alarm with Request To Exit (Signal) Switch
EAXEXV = Exit Alarm with Request To Exit (3Amp Current) Switch
ED = Elec. Dogging
EX = Request To Exit (Signal) Switch
EXV = Request To Exit (3Amp Current) Switch
EI = Elec. Integration (logic controller required)
ES = Elec. Switching (dead latch & OKC switches)

Weatherized Alarms
Select Arming Time and Auto Rearm
EBxW = Elec. Battery Operated Exit Alarm Weatherized
EBEXxW = Alarm Weatherized Exit Alarm Weatherized with Request To Exit (Signal) Switch
EBEXVxW = Elec. Battery Operated Exit Alarm Weatherized with Request To Exit (3Amp Current) Switch

Weatherized Others
ERxW = Elec. Latch Retraction Weatherized (silencer standard)
EXxW = Request To Exit (Signal) Switch Weatherized
EXVxW = Request To Exit (3Amp Current) Switch Weatherized
WDE = Weatherized Delayed Egress (see EasyKits)

Delayed Egress
Select Arming Delay, Delayed Egress Time and Silent Arming
EE = Delayed Egress

Latch Retraction
ER = Elec. Latch Retraction (silencer standard)
ERxW = Elec. Latch Retraction Weatherized (silencer standard)

Delayed Egress/Latch Retraction
EEXER = Delayed Egress with Elec. Latch Retraction (silencer standard)
EEXERxL = Delayed Egress with Elec. Latch Retraction (silencer standard) UL Canada

Power Supply for Delayed Egress
 Comes standard with 90-800 power supply
Single = (1) 90-800 w/o bat backup
Pair = (1) 90-800 w/o bat backup

Power Supply / Controller for Latch Retraction Only (ER & ERxW)
 Order/Sold Separately
Single = 81-800
Pair = 82-800
2 Independent Singles = 83-800

Required Power Supply/Controller for Delayed Egress with Latch Retraction (EEXER)
 Order/Sold Separately
Single EEXER = 84-800
Pair of EEXER = 85-800
One EEXER and One EE = 85-800XEE
One EEXER and One ER = 85-800XER

Fire-rated trims must be fail safe (FSA)
 For EU (Electric Unlock Trim), see Outside Trim Function -
 For EU (Electric Unlock Trim), see Outside Trim Function -
 **Other FSB levers available: 1016, 1035, 1058, 1075, 1093, 1119, 1147. FSB levers available in 630 finish only. See catalog pages for more information.

NOTE: * = default/standard

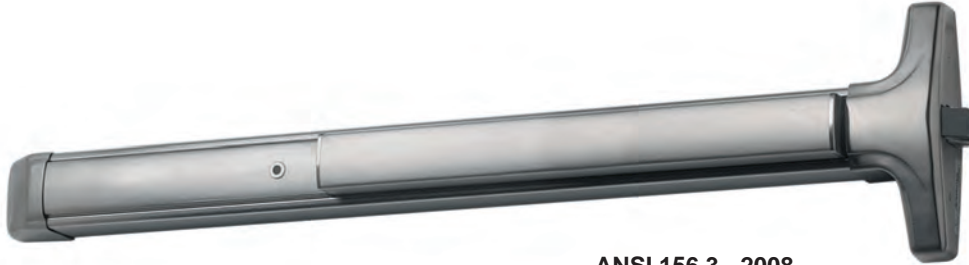
Also see online version at detex.com/hto November 30, 2016



40 SERIES

Narrow Stile Rim Exit Device

The 40 Series **rim exit device** is super-heavy-duty **panic** and **fire exit hardware** for use on all types of narrow stile single and double doors with mullions. The patented mounting plate and strike locator system ensures the easiest and most accurate installation of panic hardware available.



ANSI 156.3 - 2008
Grade 1
Type 4

Benefits

- Tough and durable design for years of trouble-free service in high-use, high-abuse environments
- Fast and accurate installation
- Minimal door prep saves time and money
- Outside trims are easily changed or re-keyed without removing device from door

Features

- Patented mounting plate and strike locator system replaces paper templates
- All exposed surfaces are finished over stainless steel with PVD, an environmentally-friendly finishing process
- Non-handed
- Stainless steel deadlocking, Pullman-type latch bolt
- Heavy-duty angled end-cap deflects damage away from device
- Field sizeable
- 1/8 turn hex or cylinder dogging

Mechanical Options

- F - 3-Hour Fire Rated
- HD - Hex Dogging (Std.)
- 99 - Surface Strike
- H - Hurricane Rated
- CD - Cylinder Dogging
- 30 - Fits 30" Door Width
- AM - Anti-Microbial Coating
- LD - Less Dogging
- 36 - Fits 36" Door Width (Std.)
- CD - Cylinder Dogging
- 98 - Semi Mortise Strike (Std.)
- 48 - Fits 48" Door Width

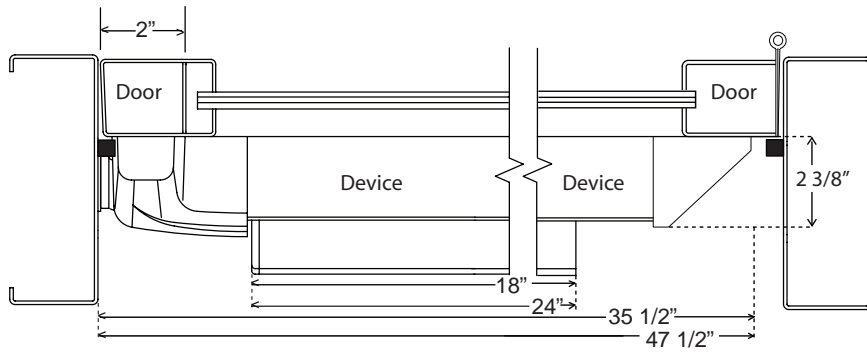
Electrical Options

- Exit Alarm (EA)
 - Delayed Egress - Mag Lock (EM)
 - Request to Exit for High Voltage (EXV)
 - Electric Dogging (ED)
 - Electric Unlock (EU2W)
 - Request to Exit Weatherized (EXxW)
 - Electric Integration (EI)
 - Latch Bolt Signaling (LX)
 - Request to Exit Weatherized for High Voltage (EXVxW)
 - Electric Latch Retraction (ER)
 - Latch Bolt Signaling for High Voltage (LXV)
 - Delayed Egress - Self Contained (EE)
 - Electric Switching (ES)
 - Delayed Egress with Latch Retraction (EExER)
 - Request to Exit (EX)
- Refer to Electrified Options section for more information

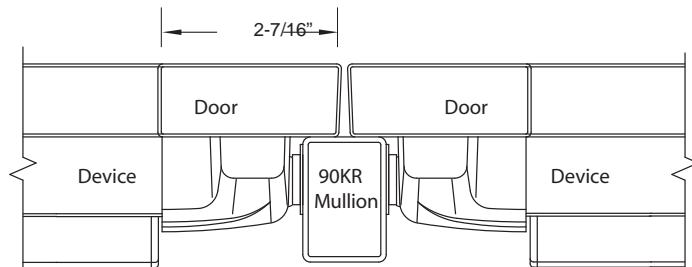
Accessories

- GB2 - Glass Bead Kit
- SSK - Security Torx Screw Kit
- SN1 - Sex Nut Kit (2 per package)
- Trim Functions (see Outside Trims)

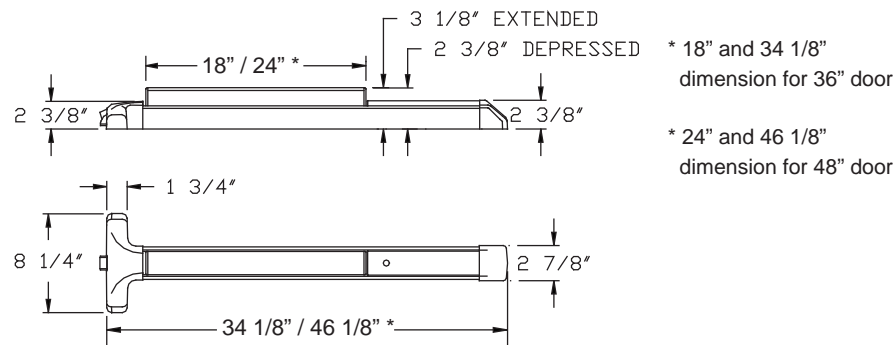
Single Door



Double Door with 90KR Mullion



Dimensions



Technical Information

- Door Types - Wood, Hollow Metal, Fiberglass or Aluminum
- Door Thickness - Fits standard 1-3/4" - 2-1/4" doors (for other door thicknesses contact factory)
- Minimum Stile - 2" with standard 98 strike; 2-1/2" with optional 99 strike
- Fasteners - Machine and Self-Drilling Screws standard

Finishes

605 / US3	Polished Brass
606 / US4	Brushed Brass
611 / US9	Polished Bronze
612 / US10	Brushed Bronze
613 / US10B	Oil Rubbed Bronze
628 / US28	Aluminum Satin
629 / US32	Polished Stainless Steel
630 / US32D	Brushed Stainless Steel
693 / SPBLK	Black, Painted
695 / SP 313	Dark Bronze, Painted

Detex Limited Warranty

10 Year Mechanical/3 year Electrical Limited Manufacturer's Warranty

Listings and Approvals



UL Listed Panic Hardware



UBC 97, Standard 7-2 and UL10B/UL10C for positive pressure



UL Listed Fire Exit Hardware for 3 hours, maximum 4'x10' single doors and pairs of 4'x8' with F90KR keyed removable mullion



Meets NFPA 80 & 101 for Life Safety



Meets ADA requirements



Miami-Dade County, Florida NOA 15-0415.08

State of Florida Approval FL9052



ANSI/BHMA certified A156.3



California State Fire Marshal 4140-0127:105 and 3725-0127:108

Where Trust is Built™
DETEX®
Life Safety and Security Door Hardware

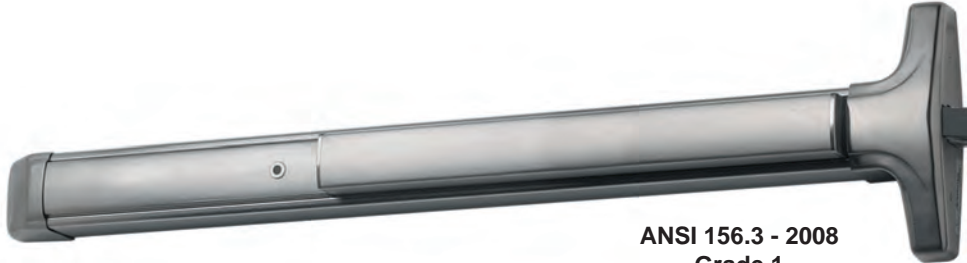
Detex Corporation
 302 Detex Drive
 New Braunfels, Texas 78130-3045 USA
 PH. (830) 629-2900
 (800) 729-3839
 FAX (800) 653-3839
 http://www.detex.com
 USA Sales:
 marketing@detex.com
 International Sales:
 export@detex.com



40xW SERIES

Weatherized Narrow Stile Rim Exit Device

The 40xW Series **weatherized rim exit device** is super-heavy-duty **panic** and **fire exit hardware** for use on all types of narrow stile single and double doors with mullions that are or may be exposed directly to the weather. The patented mounting plate and strike locator system ensures the easiest and most accurate installation of panic hardware available. In addition to listing as UL panic and fire exit hardware device, this device conforms to UL 1034-34 Temperature Section 34, UL1034-54 Dust Section 54, MIL-STD 810F, Method 506.4 (driving rain test); and MIL-STD 810F, Method 509.4 (salt fog test).



ANSI 156.3 - 2008
Grade 1
Type 4



Benefits

- Tough and durable design for years of trouble-free service in high-use, high-abuse inclement weather environments
- Fast and accurate installation
- Minimal door prep saves time and money
- Outside trims are easily changed or re-keyed without removing device from door

Features

- Patented mounting plate and strike locator system replaces paper templates
- All exposed surfaces are finished over stainless steel with PVD, an environmentally-friendly finishing process
- Assembled using components resistant to temperature, dust, driving rain and salt fog
- Stainless steel deadlocking, Pullman-type latch bolt
- Heavy-duty angled end-cap deflects damage away from device
- Fasteners made of stainless steel 316 material
- Field sizeable
- Non-handed
- 1/8 turn hex or cylinder dogging

Mechanical Options

- H - Hurricane Rated
- CD - Cylinder Dogging
- 30 - Fits 30" Door Width
- AM - Anti-Microbial Coating
- LD - Less Dogging
- 36 - Fits 36" Door Width (Std.)
- CD - Cylinder Dogging
- 98 - Semi Mortise Strike (Std.)
- 48 - Fits 48" Door Width
- HD - Hex Dogging (Std.)
- 99 - Surface Strike

Electrical Options

- Electric Unlock (EU2W)
- Request to Exit Weatherized (EXxW)
- Request to Exit Weatherized for High Voltage (EXVxW)

Refer to Electrified Options section for more information

Accessories

- GB2 - Glass Bead Kit
- SSK - Security Torx Screw Kit
- SN1 - Sex Nut Kit (2 per package)
- Trim Functions (see Outside Trims)



Technical Information

• Door Thickness - Fits standard 1-3/4" - 2-1/4" doors (for other door thicknesses contact factory)

• Minimum Stile - 2" with standard 98 strike; 2-1/2" with optional 99 strike

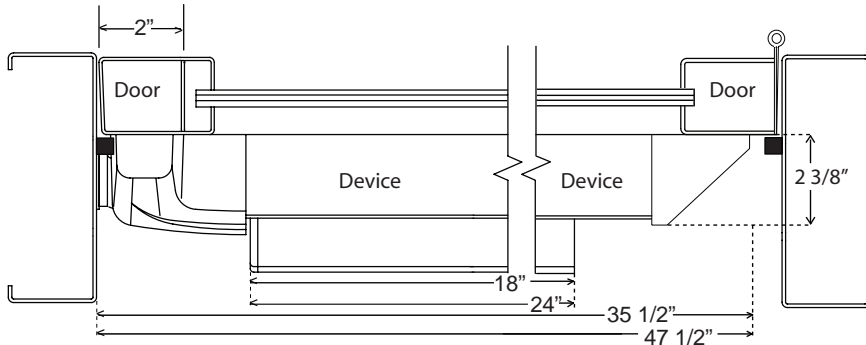
• Fasteners - Machine and Self-Drilling Screws standard stainless steel 316 material

• Door Types - Wood, Hollow Metal, Fiberglass or Aluminum

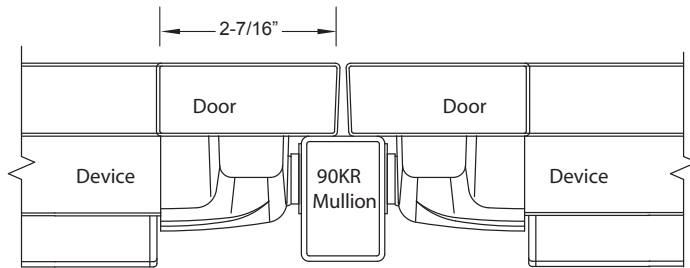
Finishes

605 / US3	Polished Brass
606 / US4	Brushed Brass
611 / US9	Polished Bronze
612 / US10	Brushed Bronze
613 / US10B	Oil Rubbed Bronze
628 / US28	Aluminum Satin
629 / US32	Polished Stainless Steel
630 / US32D	Brushed Stainless Steel
693 / SPBLK	Black, Painted
695 / SP 313	Dark Bronze, Painted

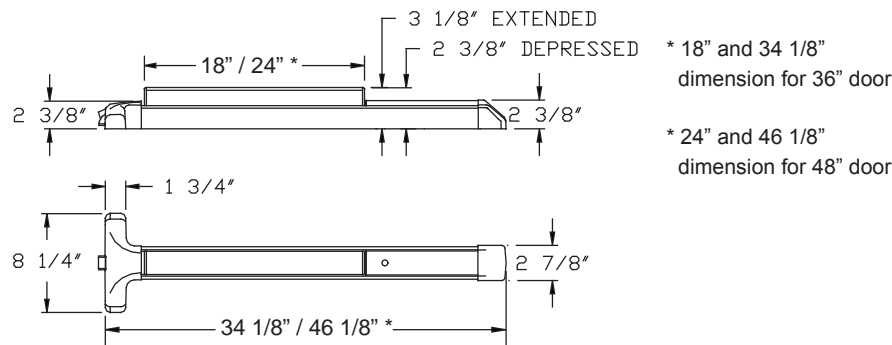
Single Door



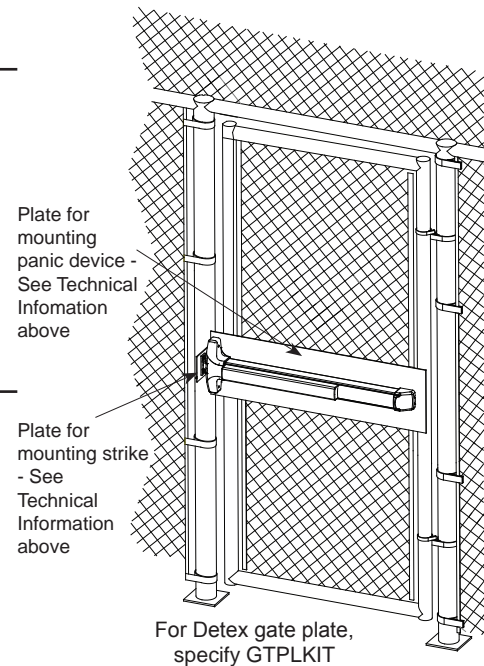
Double Door with 90KR Mullion



Dimensions



Single Gate



Detex Limited Warranty

10 Year Mechanical/3 year Electrical Limited Manufacturer's Warranty

Listings and Approvals



UL Listed Panic Hardware

UL1034-34 Temperature Section 34 [Temperature Range -31°F (-35° C) to 150° F (+66° C)]

UL1034-54 Dust Section 54



Meets ADA requirements



ANSI/BHMA certified A156.3



Miami-Dade County, Florida NOA 13-0717.13

State of Florida Approval FL9052

MIL-STD 810F (G), Method 509.4 (Salt Fog Test)

MIL-STD 810F (G), Method 506.4 (Driving Rain), Procedure 1

Where Trust is Built™

DETEX®

Life Safety and Security Door Hardware

Detex Corporation
302 Detex Drive
New Braunfels, Texas 78130-3045 USA

PH. (830) 629-2900

(800) 729-3839

FAX (800) 653-3839

http://www.detex.com

USA Sales:

marketing@detex.com

International Sales:

export@detex.com

ADVANTEX® 50/51 SERIES (NARROW SURFACE VERTICAL ROD)

RATING

For no rating, leave blank
F = Fire Rated (Less/No Dogging Only)

KNURLING
 For no knurling, leave blank
KN = Knurled (lever trim only)

SERIES TYPE

50 = SVR, narrow stile
50xW = Weatherized SVR, narrow stile (non-electrified)
51 = SVR, top rod only, narrow stile
51xW = Weatherized SVR, top rod only, narrow stile (non-electrified)

OUTSIDE TRIM / DEVICE FINISH

605 = Polished brass (PVD)
606 = Brushed brass (PVD)
611 = Polished bronze (PVD)
612 = Brushed bronze (PVD)
613 = Oil rubbed bronze (PVD)
625 = Polished chrome
626 = Brushed chrome (std. on lever trims)
629 = Polished stainless steel
630 = Brushed stainless steel (std. on pull trims & device)
693 = Black, powder coated
695 = Dark bronze, powder coated

DOGGING FUNCTION

LD = Less/No dogging
HD = Hex key dogging
CD = Cylinder key dogging

PRE-INSTALLED CYLINDERS

If cylinders provided by others, leave blank
MC65 = Mortise Cylinder(s) 6pin/Keyed 5
IC7 = Mortise Cylinder(s) IC housing
IK7 = Mortise Cylinder(s) Instakey housing
RC65 = Rim Cylinder(s) 6pin/Keyed 5
ICTR = Rim Cylinder(s) IC housing
IKTR = Rim Cylinder(s) Instakey housing

ANTIMICROBIAL

For no coating, leave blank
AM = Antimicrobial Coating

ENDCAP

EC1 = Ramped endcap*
EC2 = Flush endcap (std. on all 628/693/695 finishes)

FLEX CONDUIT

For no flex conduit, leave blank
FC = End Cap with Flex Conduit

FASTENERS

For standard machine, wood & self-drilling screws, leave blank
SN1 = Sex Nuts/Throughbolts

SILENCER

For standard pushpad, leave blank
SLR = Silent Latch & Pushpad

OUTSIDE TRIM FUNCTION

For no outside trim, leave blank
01CN = Exit only, blank plate
02CN = Dummy pull trim
03CN = Key retracts latch; pull trim
03WS = Key retracts latch; plate - short
01DN = Blank escutcheon: Narrow lever handle (handed) (J, Q, S, T, U or FSB1076 lever)**
02DN = Dummy lever trim
08DN = Active lever, key locks / unlocks lever: Narrow lever handle (handed) (J, Q, S, T, U or FSB1076 lever)** (classroom)

DOOR HANDING

RHR = Right hand reverse*
LHR = Left hand reverse

KEYSTOP

For no keystop, leave blank
KS = Key Stop (Available with EA, EBxW, EE, EEXER, EI functions)

STRIKES

96 = Surface

SWITCHING

For no switching, leave blank
LX = Latch Bolt Signal Switch
LXV = Latch Bolt 3Amp Current Switch

DOOR WIDTH

24" wide door
30" wide door
36" wide door (3)*
48" wide door (4)

DOOR HEIGHT/SVR HEIGHT

For 84" door heights, leave blank
84" high door
96" high door
120" high door

ELECTRIFIED FUNCTION

For no electrified function, leave blank

Standard

Select Arming Time and Auto Rearm
 " " = No Elec. Option

EA = Elec. Alarm

EAXEX = Exit Alarm with Request To Exit (Signal) Switch

EAXEXV = Exit Alarm with Request To Exit (3Amp Current) Switch

ED = Elec. Dogging

EX = Request To Exit (Signal) Switch

EXV = Request To Exit (3Amp Current) Switch

Delayed Egress

Select Arming Delay, Delayed Egress Time and Silent Arming

EE = Delayed Egress

Power Supply for Delayed Egress

Comes standard with 90-800 power supply

Single = (1) 90-800 w/o bat backup

Pair = (1) 90-800 w/o bat backup

Weatherized Alarms

Select Arming Time and Auto Rearm
EBxW = Elec. Battery Operated Alarm Weatherized

EBEXxW = Elec. Battery Operated Exit Alarm Weatherized with Request To Exit (Signal) Switch

EBEXxWV = Elec. Battery Operated Exit Alarm Weatherized with Request To Exit (3Amp Current) Switch

ER = Elec. Latch Retraction (silencer standard)

ERxW = Elec. Latch Retraction Weatherized (silencer standard)

Weatherized Others

ERxW = Elec. Latch Retraction Weatherized (silencer standard)

EXxW = Request To Exit (Signal) Switch Weatherized

EXVxW = Request To Exit (3Amp Current) Switch Weatherized

WDE = Weatherized Delayed Egress (see EasyKits)

Delayed Egress/Latch Retraction

EEEXR = Delayed Egress with Elec. Latch Retraction (silencer standard)

EEEXRULC = Delayed Egress with Elec. Latch Retraction (silencer standard) UL

Canada

Required Power Supply/Controller for Delayed Egress with Latch Retraction (EEEXR)

Order/Sold Separately

Single EEEXR = 84-800

Pair of EEEXR = 85-800

One EEEXR and One ER = 85-800XEE

One EEEXR and One ER = 85-800XER

Fire-rated trims must be fail safe (FSA)

For EU (Electric Unlock Trim), see Outside Trim Function - For 12VDC specify 12VDC. For Fail Safe specify FSA.

**Other FSB levers available: 1016, 1035, 1058, 1075, 1093, 1119, 1147. FSB levers available in 630 finish only. See catalog pages for more information.

NOTE: * = default/standard

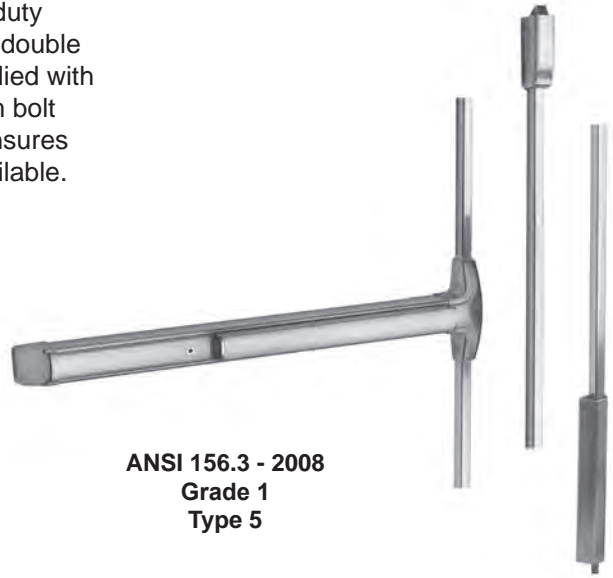
Also see online version at detex.com



50 SERIES

Narrow Stile Surface Vertical Rod Device

The 50 Series **surface vertical rod exit device** is super-heavy-duty **panic and fire exit hardware** for use on all types of narrow stile double doors without a mullion. All 50 series SVR exit devices are supplied with top and bottom rod covers and an ADA compliant ramped bottom bolt cover. The patented mounting plate and strike locator system ensures the easiest and most accurate installation of panic hardware available.



ANSI 156.3 - 2008
Grade 1
Type 5

Benefits

- Tough and durable design for years of trouble-free service in high-use, high-abuse environments
- Minimal door prep saves time and money
- Security enhanced by stainless steel rod covers, standard
- Fast and accurate installation
- Outside trims are easily changed or rekeyed without removing device from door

Features

- Patented mounting plate and strike locator system replaces paper templates
- ADA ramped bottom bolt cover
- Heavy-duty angled end-cap deflects damage away from device
- Stainless steel deadlocking, Pullman-type top latch
- 1/8 turn hex or cylinder dogging
- Handed - field reversible
- Hardened steel bottom drop bolt with dust proof strike
- All exposed surfaces are finished over stainless steel with PVD, an environmentally friendly finishing process
- Field sizeable

Mechanical Options

- F - 3-Hour Fire Rated
- EC1 - Heavy Duty End-cap (Std.)
- 48 - Fits 48" Door Widths
- AM - Anti-Microbial Coating
- EC2 - Flush End-cap
- 84 - 84" Door Height (Std.)
- HD - Hex Dogging (Std.)
- 30 - Fits 30" Door Widths
- 96 - 85" to 96" Door Height
- CD - Cylinder Dogging
- 36 - Fits 36" Door Widths (Std.)
- 120 - 97" to 120" Door Height
- LD - Less Dogging

Electrical Options

- Exit Alarm (EA)
- Electric Unlock (EU2W)
- Request to Exit Weatherized for High Voltage (EXVxW)
- Electric Dogging (ED)
- Request to Exit (EX)
- Electric Latch Retraction (ER)
- Request to Exit for High Voltage (EXV)
- Refer to Electrified Options section for more information
- Delayed Egress - Self Contained (EE)
- Request to Exit Weatherized (EXxW)
- Delayed Egress with Latch Retraction (EExER)



Accessories

- GB5 - Glass Bead Kit - 7' Door Height (84")
- GB9 - Glass Bead Kit - 8' Door Height (85" - 96")
- GB13 - Glass Bead Kit - 10' Door Height (97" - 120")
- SN1 - Sex Nut Kit (2 per package)
- SSK- Security Torx Screw Kit
- Trim Functions (see Outside Trims)
- Electrified Options (see Electrified Options)

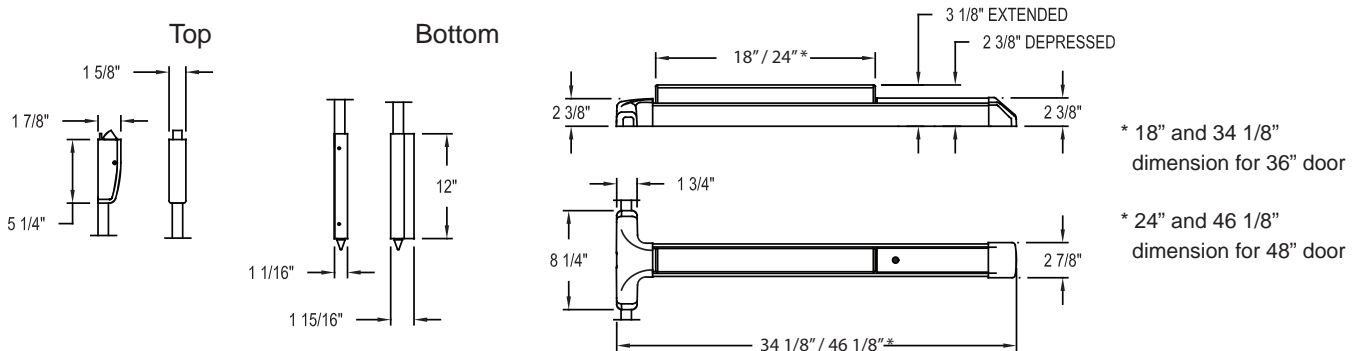
Technical Information

- Door Types - Wood, Hollow Metal, Fiberglass or Aluminum
- Door Thickness - Fits standard 1-3/4" - 2-1/4" doors (for other door thicknesses contact factory)
- Minimum Stile - 2" with standard 96 strike
- Fasteners - Machine and Self-Drilling Screws standard

Finishes

605 / US3	Polished Brass	628 / US28	Aluminum Satin	693 / SPBLK	Black, Painted
606 / US4	Brushed Brass	629 / US32	Polished Stainless Steel	695 / SP 313	Dark Bronze, Painted
611 / US9	Polished Bronze				
612 / US10	Brushed Bronze	630 / US32D	Brushed Stainless Steel		
613 / US10B	Oil Rubbed Bronze				

Dimensions



Listings and Approvals



UL Listed Panic Hardware



ULC 97, Standard 7-2 and UL10B/UL10C for positive pressure



UL Listed Fire Exit Hardware for 3 hours, maximum 4'x10' single doors and 8'x10' pairs of doors



Meets NFPA 80 & 101 for Life Safety



Meets ADA requirements



California State Fire Marshall
4140-0127:105 and
3725-0127:108



ANSI/BHMA certified A156.3

Detex Limited Warranty

10 Year Mechanical/3 year Electrical Limited Manufacturer's Warranty

Where Trust is Built™
DETEX®
Life Safety and Security Door Hardware

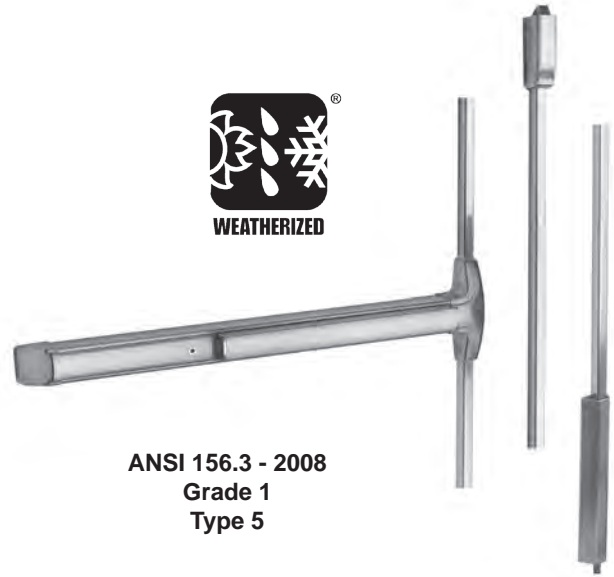
Detex Corporation
302 Detex Drive
New Braunfels, Texas 78130-3045 USA
PH. (830) 629-2900
(800) 729-3839
FAX (800) 653-3839
<http://www.detex.com>
USA Sales:
marketing@detex.com
International Sales:
export@detex.com



50xW SERIES

Weatherized Narrow Stile Surface Vertical Rod Device

The 50xW Series weatherized **surface vertical rod exit device** is super-heavy-duty **panic** and **fire exit hardware** for use on all types of narrow stile double doors without a mullion. All 50xW series SVR exit devices are supplied with top and bottom rod covers and an ADA compliant ramped bottom bolt cover. The patented mounting plate and strike locator system ensures the easiest and most accurate installation of panic hardware available. In addition to listing as UL panic and fire exit hardware device, this device conforms to UL1034-34 Temperature Section 34, UL1034-54 Dust Section 54, MIL-STD 810F, Method 506.4 (driving rain test); and MIL-STD 810F, Method 509.4 (salt fog test).



Benefits

- Tough and durable design for years of trouble-free service in high-use, high-abuse inclement weather environments
- Fast and accurate installation
- Minimal door prep saves time and money
- Outside trims are easily changed or rekeyed without removing device from door
- Security enhanced by stainless steel rod covers, standard

Features

- Patented mounting plate and strike locator system replaces paper templates
- Stainless steel deadlocking, Pullman-type top latch
- Hardened steel bottom drop bolt with dust proof strike
- Handed - field reversible
- ADA ramped bottom bolt cover
- 1/8 turn hex or cylinder dogging
- All exposed surfaces are finished over stainless steel with PVD, an environmentally friendly finishing process
- Field sizeable
- Heavy-duty angled end-cap deflects damage away from device
- Assembled using components resistant to temperature, dust, driving rain and salt fog
- Fasteners made of stainless steel 316 material

Mechanical Options

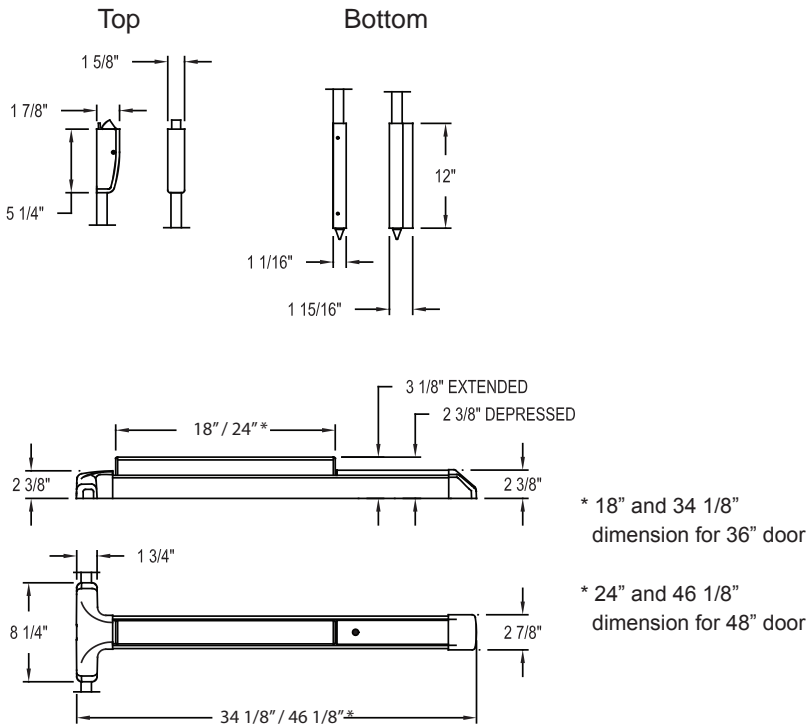
- F - 3-Hour Fire Rated
- AM - Anti-Microbial Coating
- HD - Hex Dogging (Std.)
- CD - Cylinder Dogging
- LD - Less Dogging
- EC1 - Heavy Duty End-cap (Std.)
- EC2 - Flush End-cap
- 30 - Fits 30" Door Widths
- 36 - Fits 36" Door Widths (Std.)
- 48 - Fits 48" Door Widths
- 84 - 84" Door Height (Std.)
- 96 - 85" to 96" Door Height
- 120 - 97" to 120" Door Height

Electrical Options

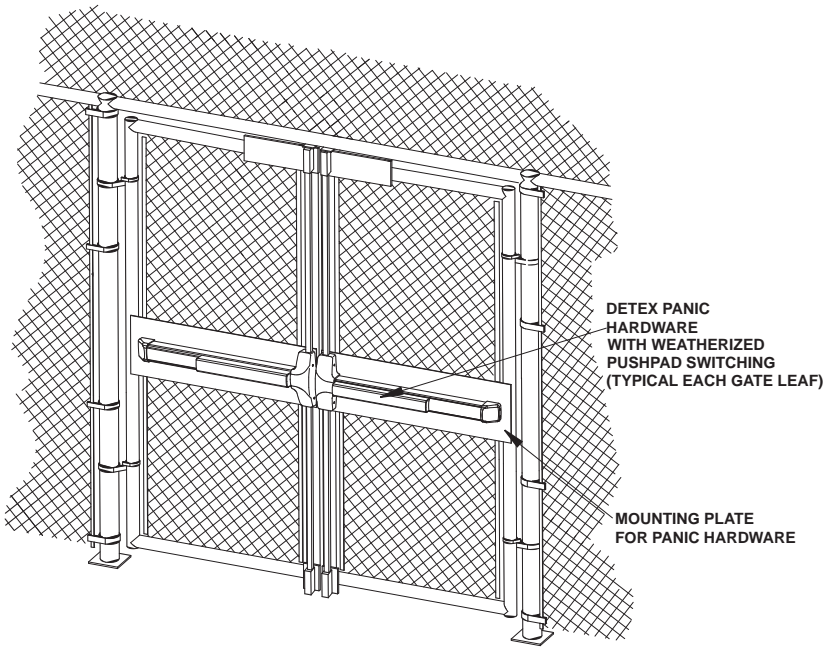
- Electric Unlock (EU2W)
- Request to Exit Weatherized (EXxW)
- Request to Exit Weatherized for High Voltage (EXVxW)

Refer to Electrified Options section for more information

Dimensions



Double Gate Riser



Listings and Approvals



UL Listed Panic Hardware



Meets ADA requirements



UL1034-34 Temperature Section 34
[Temperature Range -31° F (-35° C) to 150° F (+66° C)]

MIL-STD 810F (G), Method 509.4 (Salt Fog Test)

MIL-STD 810F (G), Method 506.4 (Driving Rain), Procedure 1



ANSI/BHMA certified A156.3

October 2, 2015

Accessories

- GB5 - Glass Bead Kit - 7' Door Height (84")
- GB9 - Glass Bead Kit - 8' Door Height (85" - 96")
- GB13 - Glass Bead Kit - 10' Door Height (97" - 120")
- SN1 - Sex Nut Kit (2 per package)
- SSK- Security Torx Screw Kit
- Trim Functions (see Outside Trims)
- Electrified Options (see Electrified Options)

Technical Information

- Door Types - Wood, Hollow Metal, Fiberglass or Aluminum
- Door Thickness - Fits standard 1-3/4" - 2-1/4" doors (for other door thicknesses contact factory)
- Minimum Stile - 2" with standard 96 strike
- Fasteners - Machine and Self-Drilling Screws standard stainless steel 316 material

Finishes

605 / US3	Polished Brass
606 / US4	Brushed Brass
611 / US9	Polished Bronze
612 / US10	Brushed Bronze
613 / US10B	Oil Rubbed Bronze
628 / US28	Aluminum Satin
629 / US32	Polished Stainless Steel
630 / US32D	Brushed Stainless Steel
693 / SPBLK	Black, Painted
695 / SP 313	Dark Bronze, Painted

Detex Limited Warranty

10 Year Mechanical/3 year Electrical Limited Manufacturer's Warranty

Where Trust is Built™
DETEX®
Life Safety and Security Door Hardware

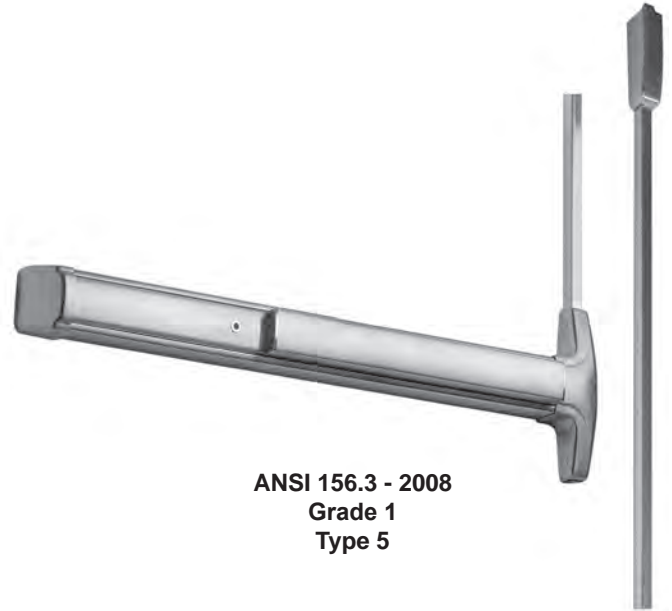
Detex Corporation
 302 Detex Drive
 New Braunfels, Texas 78130-3045 USA
 PH. (830) 629-2900
 (800) 729-3839
 FAX (800) 653-3839
<http://www.detex.com>
 USA Sales:
marketing@detex.com
 International Sales:
export@detex.com



51 SERIES

Narrow Stile Surface Vertical Top Rod Only Device

The 51 Series **surface vertical rod exit device** is super-heavy-duty **panic and fire exit hardware** for use on all types of narrow stile double doors without a mullion. All 51 Series Top Rod Only exit devices are supplied with a rod cover. The patented mounting plate and strike locator system ensures the easiest and most accurate installation of panic hardware available.



ANSI 156.3 - 2008
Grade 1
Type 5

Benefits

- Tough and durable design for years of trouble-free service in high-use, high-abuse environments
- Fast and accurate installation
- Minimal door prep saves time and money
- Outside trims are easily changed or rekeyed without removing device from door
- Security enhanced by stainless steel rod covers, standard

Features

- Patented mounting plate and strike locator system replaces paper templates
- Stainless steel deadlocking, Pullman-type top latch
- 1/8 turn hex or cylinder dogging
- All exposed surfaces are finished over stainless steel with PVD, an environmentally friendly finishing process
- Heavy-duty angled end-cap deflects damage away from device
- Handed - field reversible
- Field sizeable

Mechanical Options

- F - 3-Hour Fire Rated
- AM - Anti-Microbial Coating
- HD - Hex Dogging (Std.)
- CD - Cylinder Dogging
- LD - Less Dogging
- EC1 - Heavy Duty End-cap (Std.)
- EC2 - Flush End-cap
- 30 - Fits 30" Door Widths
- 36 - Fits 36" Door Widths (Std.)
- 48 - Fits 48" Door Widths
- 84 - 84" Door Height (Std.)
- 96 - 85" to 96" Door Height
- 120 - 97" to 120" Door Height

Electrical Options

- Exit Alarm (EA)
- Electric Dogging (ED)
- Electric Latch Retraction (ER)
- Delayed Egress - Self Contained (EE)
- Delayed Egress with Latch Retraction (EExER)
- Electric Unlock (EU)
- Request to Exit (EX)
- Request to Exit for High Voltage (EXV)
- Request to Exit Weatherized (EXxW)
- Request to Exit Weatherized for High Voltage (EXVxW)

Refer to Electrified Options section for more information

Accessories

- GB6 - Glass Bead Kit - 7' Door Height (84")
- GB10 - Glass Bead Kit - 8' Door Height (85" - 96")
- GB14 - Glass Bead Kit - 10' Door Height (97" - 120")
- SN1 - Sex Nut Kit (2 per package)
- SSK- Security Torx Screw Kit
- Trim Functions (see Outside Trims)
- Electrified Options (see Electrified Options)

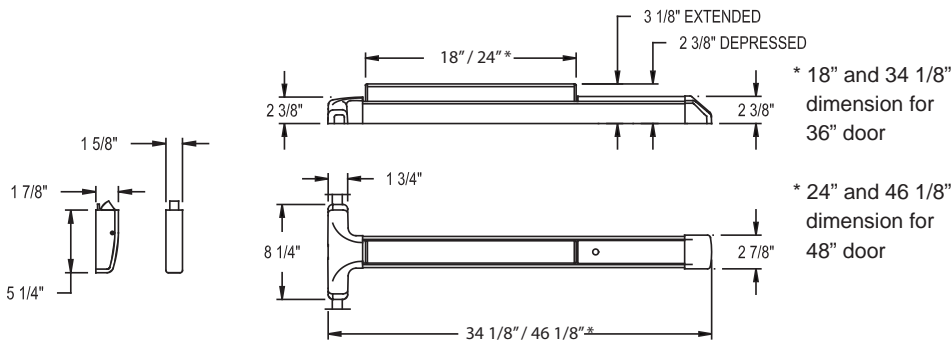
Technical Information

- Door Types - Wood, Hollow Metal, Fiberglass or Aluminum
- Door Thickness - Fits standard 1-3/4" - 2-1/4" doors (for other door thicknesses contact factory)
- Minimum Stile - 2" with standard 96 strike
- Fasteners - Machine and Self-Drilling Screws standard

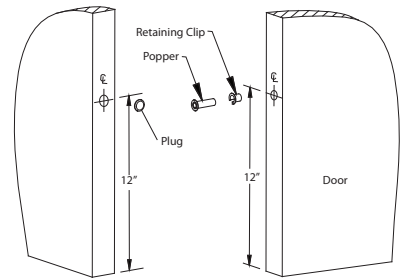
Finishes

605 / US3 Polished Brass	628 / US28 Aluminum Satin	693 / SPBLK Black, Painted
606 / US4 Brushed Brass	629 / US32 Polished Stainless Steel	695 / SP 313 Dark Bronze, Painted
611 / US9 Polished Bronze	630 / US32D Brushed Stainless Steel	
612 / US10 Brushed Bronze		
613 / US10B Oil Rubbed Bronze		

Dimensions



Popper Detail for Fire Rated Device



Listings and Approvals



UL Listed Panic Hardware



UBC 97, Standard 7-2 and UL10B/UL10C for positive pressure



UL Listed Fire Exit Hardware for 3 hours, maximum 4'x10' single doors and 8'x10' pairs of doors



Meets NFPA 80 & 101 for Life Safety



Meets ADA requirements



California State Fire Marshal 4140-0127:105 and 3725-0127:108



ANSI/BHMA certified A156.3

Detex Limited Warranty
10 Year Mechanical/3 year Electrical Limited Manufacturer's Warranty



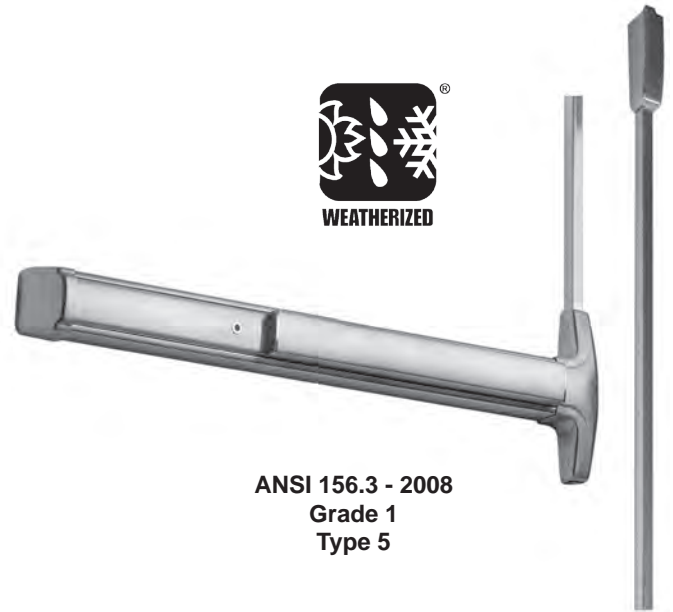
Detex Corporation
302 Detex Drive
New Braunfels, Texas 78130-3045 USA
PH. (830) 629-2900
(800) 729-3839
FAX (800) 653-3839
<http://www.detex.com>
USA Sales:
marketing@detex.com
International Sales:
export@detex.com



51xW SERIES

Weatherized Narrow Stile Surface Vertical Top Rod Only Device

The 51xW Series weatherized **surface vertical rod exit device** is super-heavy-duty **panic and fire exit hardware** for use on all types of narrow stile double doors without a mullion. All 51xW Series Top Rod Only exit devices are supplied with a rod cover. The patented mounting plate and strike locator system ensures the easiest and most accurate installation of panic hardware available. In addition to listing as UL panic and fire exit hardware device, this device conforms to UL1034-34 Temperature Section 34, UL1034-54 Dust Section 54, MIL-STD 810F, Method 506.4 (driving rain test); and MIL-STD 810F, Method 509.4 (salt fog test).



**ANSI 156.3 - 2008
Grade 1
Type 5**

Benefits

- Tough and durable design for years of trouble-free service in high-use, high-abuse inclement weather environments
- Fast and accurate installation
- Minimal door prep saves time and money
- Outside trims are easily changed or rekeyed without removing device from door
- Security enhanced by stainless steel rod covers, standard

Features

- Patented mounting plate and strike locator system replaces paper templates
- Stainless steel deadlocking, Pullman-type top latch
- Handed - field reversible
- 1/8 turn hex or cylinder dogging
- All exposed surfaces are finished over stainless steel with PVD, an environmentally friendly finishing process
- Field sizeable
- Heavy-duty angled end-cap deflects damage away from device
- Assembled using components resistant to temperature, dust, driving rain and salt fog
- Fasteners made of stainless steel 316 material

Mechanical Options

- AM - Anti-Microbial Coating
- HD - Hex Dogging (Std.)
- CD - Cylinder Dogging
- LD - Less Dogging
- EC1 - Heavy Duty End-cap (Std.)
- EC2 - Flush End-cap
- 30 - Fits 30" Door Widths
- 36 - Fits 36" Door Widths (Std.)
- 48 - Fits 48" Door Widths
- 84 - 84" Door Height (Std.)
- 96 - 85" to 96" Door Height
- 120 - 97" to 120" Door Height

Electrical Options

- Electric Unlock (EU2W)
 - Request to Exit Weatherized (EXxW)
 - Request to Exit Weatherized for High Voltage (EXVxW)
- Refer to Electrified Options section for more information



Accessories

- GB6 - Glass Bead Kit - 7' Door Height (84")
- GB10 - Glass Bead Kit - 8' Door Height (85" - 96")
- GB14 - Glass Bead Kit - 10' Door Height (97" - 120")
- SN1 - Sex Nut Kit (2 per package)
- SSK- Security Torx Screw Kit
- Trim Functions (see Outside Trims)
- Electrified Options (see Electrified Options)

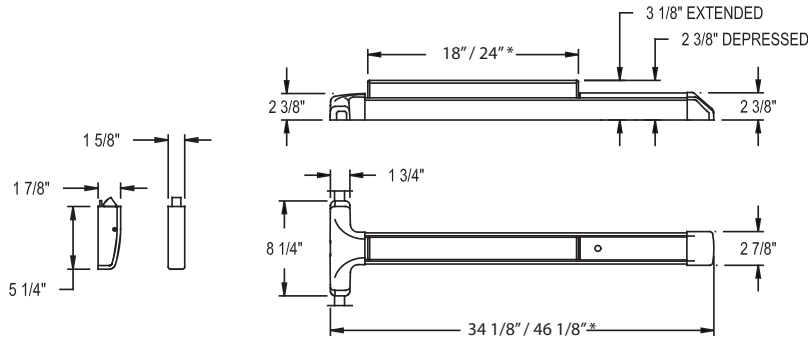
Technical Information

- Door Types - Wood, Hollow Metal, Fiberglass or Aluminum
- Door Thickness - Fits standard 1-3/4" - 2-1/4" doors (for other door thicknesses contact factory)
- Minimum Stile - 2" with standard 96 strike
- Fasteners - Machine and Self-Drilling Screws standard stainless steel 316 material

Finishes

605 / US3	Polished Brass	628 / US28	Aluminum Satin	693 / SPBLK	Black, Painted
606 / US4	Brushed Brass	629 / US32	Polished Stainless Steel	695 / SP 313	Dark Bronze, Painted
611 / US9	Polished Bronze				
612 / US10	Brushed Bronze	630 / US32D	Brushed Stainless Steel		
613 / US10B	Oil Rubbed Bronze				

Dimensions



* 18" and 34 1/8" dimension for 36" door
 * 24" and 46 1/8" dimension for 48" door

Listings and Approvals



UL Listed Panic Hardware

UL1034-34 Temperature Section 34
 [Temperature Range -31° F (-35° C) to 150° F (+66° C)]

UL1034-54 Dust Section 54



ANSI/BHMA certified A156.3



Meets ADA requirements

MIL-STD 810F (G), Method 509.4 (Salt Fog Test)

MIL-STD 810F (G), Method 506.4 (Driving Rain), Procedure 1

Detex Limited Warranty

10 Year Mechanical/3 year Electrical Limited Manufacturer's Warranty



Detex Corporation
 302 Detex Drive
 New Braunfels, Texas 78130-3045 USA
 PH. (830) 629-2900
 (800) 729-3839
 FAX (800) 653-3839
<http://www.detex.com>
 USA Sales:
marketing@detex.com
 International Sales:
export@detex.com

RATING

For no rating, leave blank
F = Fire Rated (Less/No Dogging Only)

KNURLING
 For no knurling, leave blank
KN = Knurled (lever trim only)

OUTSIDE TRIM / DEVICE FINISH
605 = Polished brass (PVD)
606 = Brushed brass (PVD)
611 = Polished bronze (PVD)
612 = Brushed bronze (PVD)
613 = Oil rubbed bronze (PVD)
625 = Polished chrome
626 = Brushed chrome (std. on lever trims)
629 = Polished stainless steel
630 = Brushed stainless steel (std. on pull trims & device)
693 = Black, powder coated
695 = Dark bronze, powder coated

DOGGING FUNCTION
LD = Less/No dogging
HD = Hex key dogging
CD = Cylinder key dogging

PRE-INSTALLED CYLINDERS

If cylinders provided by others, leave blank

MC65 = Mortise Cylinder(s) 6pin/Keyed 5
IC7 = Mortise Cylinder(s) IC housing
IK7 = Mortise Cylinder(s) Instakey housing
RC65 = Rim Cylinder(s) 6pin/Keyed 5
IC7R = Rim Cylinder(s) IC housing
IK7R = Rim Cylinder(s) Instakey housing

ANTIMICROBIAL
 For no coating, leave blank
AM = Antimicrobial Coating

ENDCAP
EC1 = Ramped endcap*
EC2 = Flush endcap (std. on all 629/693/695 finishes)

FLEX CONDUIT
 For no flex conduit, leave blank
FC = End Cap with Flex Conduit

FASTENERS
 For standard machine, wood & self-drilling screws, leave blank
SN1 = Sex Nuts/Throughbolts

STRIKES
95T = CVR, top strike
95B = CVR, bottom strike

DOOR HEIGHT/CVR HEIGHT
 For 80-96" door heights, leave blank
 " " - 80" - 96" high door
 " " - 97" - 120" high door

DOOR WIDTH
24" wide door
30" wide door
36" wide door (3)*
48" wide door (4)

SILENCER
 For standard pushpad, leave blank
SLR = Silent Latch & Pushpad

DOOR HANDING
RHR = Right hand reverse*
LHR = Left hand reverse

KEYSTOP
 For no keystop, leave blank
KS = Key Stop (Available with EA, EE, EEXER, EI functions)

SWITCHING
 For no switching, leave blank
LX = Latch Bolt Signal Switch
LXV = Latch Bolt 3Amp Current Switch

ELECTRIFIED FUNCTION

For no electrified function, leave blank

Standard
 Select Arming Time and Auto Rearm
 " " = No Elec. Option
EA = Elec. Alarm
EAXE = Exit Alarm with Request To Exit (Signal) Switch
EAXEXV = Exit Alarm with Request To Exit (3Amp Current) Switch

Power Supply / Controller for Latch Retraction
 Only (ER & ERxW)
 Order/Sold Separately
 Single = 81-800
 Pair = 82-800
2 Independent Singles = 83-800

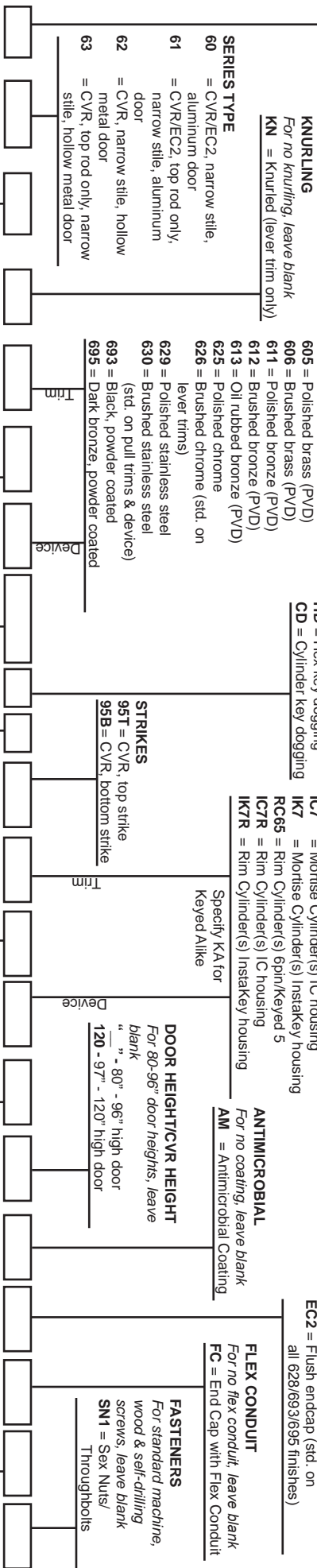
Delayed Egress
 Select Arming Delay, Delayed Egress Time and Silent Arming
EE = Delayed Egress

Power Supply for Delayed Egress
 Comes standard with 90-800 power supply
 Single = (1) 90-800 w/o bat backup
 Pair = (1) 90-800 w/o bat backup

Weatherized Others
ERxW = Elec. Latch Retraction Weatherized (Silencer standard)
EXxW = Request To Exit (Signal) Switch Weatherized
EXVxW = Request To Exit (3Amp Current) Switch Weatherized
WDE = Weatherized Delayed Egress (see EasyKits)

Delayed Egress/Latch Retraction
EEXER = Delayed Egress with Elec. Latch Retraction (silencer standard)
EEXERxULC = Delayed Egress with Elec. Latch Retraction (silencer standard) UL Canada

Required Power Supply/Controller for Delayed Egress with Latch Retraction (EEXER)
 Order/Sold Separately
 Single EEXER = 84-800
 Pair of EEXER = 85-800
 One EEXER and One EE = 85-800XE
 One EEXER and One ER = 85-800XER



OUTSIDE TRIM FUNCTION

For no outside trim, leave blank
02WP = Dummy wire pull handle
01CNV = CVR, narrow blank plate
02CNV = CVR, Dummy pull handle
03CNV = CVR, Key retracts latch; Narrow pull handle
03R = CVR, Key retracts latch; Cylinder escutcheon
02DNV = CVR, Dummy narrow lever handle (handed) (S, T or U lever)
08DNV = CVR, Active lever, key locks / unlocks lever; Narrow lever handle (handed) (S, T or U lever) (classroom)
09DNV = CVR, Lever trim active by key, locked when key removed; Narrow lever handle (handed) (S, T or U lever) (storeroom)
14DNV = CVR, Active lever, no key cylinder; Narrow lever handle (handed) (S, T or U lever) (passage)

Fire-rated trims must be fail safe (FSA)
 For EU (Electric Unlock Trim), see Outside Trim Function - For 12VDC specify 12VDC; For Fail Safe specify FSA.
 **Other FSB levers available: 1016, 1035, 1058, 1075, 1093, 1119, 1147. FSB levers available in 630 finish only. See catalog pages for more information.

NOTE: * = default/standard

Also see online version at detex.com



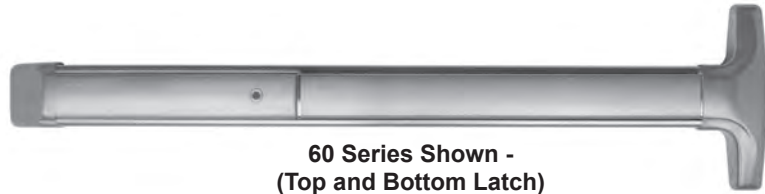
60 SERIES

61 SERIES (Top Rod Only)

Concealed Vertical Rod Device - Narrow Stile Aluminum Door

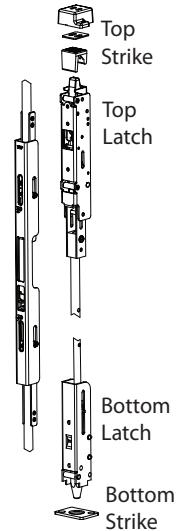
The 60 and 61 Series **concealed vertical rod exit device** is super-heavy-duty **panic and fire exit hardware** for use on all types of narrow stile aluminum doors without a mullion. The patented mounting plate system ensures the easiest and most accurate installation of panic hardware available.

Note: For Top Rod Only -
Specify 61 Series



60 Series Shown -
(Top and Bottom Latch)

ANSI 156.3 - 2008
Grade 1
Type 6



Benefits

- Tough and durable design for years of trouble-free service in high-use, high-abuse environments
- Minimal door prep saves time and money
- Aesthetically pleasing options to meet various applications including:
60/61 CVR Narrow Stile Alum. Door
62/63 CVR Narrow Stile H.M. Door
70/71 CVR Wide Stile Wood Door
80/81 CVR Wide Stile H.M. Door
82/83 CVR Wide Stile Alum. Door
- Fast and accurate installation
- Except for 03R, outside trims are easily changed or rekeyed without removing device from door

Features

- 6-position multi-step action in top latch keeps top and bottom bolts retracted until door closes and provides more consistent re-latching and security to door
- Top strike fully adjustable both vertically and to accommodate a variety of varying weather strip thicknesses
- Top strike both secures the door and re-engages the latchbolts
- Patented deadlocking of top (60 and 61 Series) and bottom bolt (60 Series) assemblies
- Durable steel bottom drop bolt (60 Series)
- Rods are easily adjustable with rods installed in door
- Angled end-cap deflects damage away from device
- Handed - field reversible
- Field sizeable
- 1/8 turn dogging

Mechanical Options

- F - 3-Hour Fire Rated without astragal up to 10 foot (steel) door
- AM - Anti-Microbial Coating
- HD - Hex Dogging (Std.)
- CD - Cylinder Dogging
- SLR - Silencer
- 30 - Fits 30" Door Width - limited electrical options
- 36 - Fits 36" Door Widths (Std.)
- 48 - Fits 48" Door Widths
- EC1 - Ramped Endcap - Heavy duty (standard on 630, 606, 612, 613, 605, 611 & 629 finishes only)
- EC2 - Flush Endcap (standard on 628, 693 & 695 Finishes only), specify when used on 2" - 3-1/2" stiles

Electrical Options

- Exit Alarm (EA)
- Electric Dogging (ED)
- Electric Latch Retraction (ER)
- Delayed Egress Self-Contained (EE)
- Request to Exit (EX)
- Request to Exit for High Voltage (EXV)
- Electric Delayed Egress x Latch Retraction (EExER)

Refer to Electrified Options section for more information

Accessories

- SSK - Security Torx Screw Kit

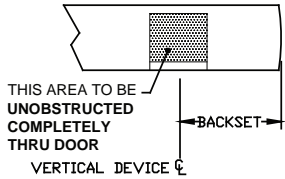
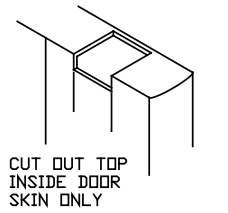
Technical Information

- Door Types - Aluminum/ Aluminum Channel FRP
- Door Stile - Fits minimum 2"
- For 2" - 3-1/2" door stiles, specify EC2
- Door Thickness - Fits standard 1-3/4" - 2 1/4" (for other door thicknesses contact factory)
- Fasteners - Machine and sheet metal screws supplied standard
- Rail is heavy ribbed aluminum extrusion

Finishes

605 / US3	Polished Brass	628 / US28	Satin Aluminum	693 / SPBLK	Black, painted
606 / US4	Brushed Brass	629 / US32	Polished Stainless Steel	695 / SP313	Dark Bronze, painted
611 / US9	Polished Bronze	630 / US32D	Brushed Stainless Steel		
612 / US10	Brushed Bronze				
613 / US10B	Oil Rubbed Bronze				

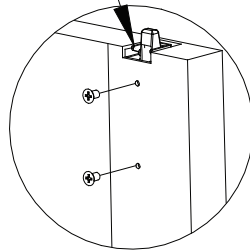
Top & Bottom Latch Door Prep for 60 & 61 Series



LATCH MOUNTING TOP & BOTTOM

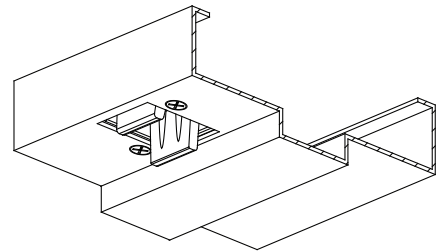
Top Latch Installation for 60 & 61 Series

Release to extend bolt

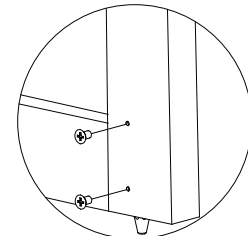


ALUMINUM DOOR ATTACHMENT TOP

Top Strike Installation for 60 & 61 Series



Bottom Latch Installation for 61 Series only



ALUMINUM DOOR ATTACHMENT BOTTOM

Listings and Approvals



UL Listed Panic Hardware



ULC 97, Standard 7-2 and UL10B/UL10C for positive pressure



UL Listed Fire Exit Hardware 8'x10' pairs of doors



ANSI/BHMA certified A156.3



Meets ADA requirements



Meets NFPA 80 & 101 for Life Safety

Detex Limited Warranty

10 Year Mechanical/3 year Electrical Limited Manufacturer's Warranty



Detex Corporation
 302 Detex Drive
 New Braunfels, Texas 78130-3045 USA
 PH. (830) 629-2900
 (800) 729-3839
 FAX (800) 653-3839
<http://www.detex.com>
 USA Sales:
marketing@detex.com
 International Sales:
export@detex.com



62 SERIES 63 SERIES (Top Rod Only)

Concealed Vertical Rod Device - Narrow Stile Hollow Metal Door

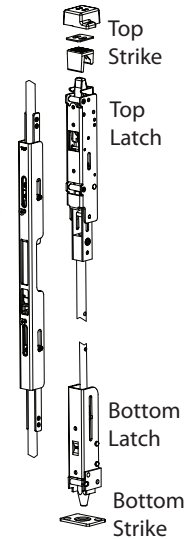
The 62 and 63 Series **concealed vertical rod exit device** is super-heavy-duty **panic and fire exit hardware** for use on all types of narrow stile hollow metal doors without a mullion. The patented mounting plate system ensures the easiest and most accurate installation of panic hardware available.

Note: For Top Rod Only -
Specify 63 Series



62 Series Shown -
(Top and Bottom Bolt)

ANSI 156.3 - 2008
Grade 1
Type 6



Benefits

- Tough and durable design for years of trouble-free service in high-use, high-abuse environments
- Minimal door prep saves time and money
- Aesthetically pleasing options to meet various applications including:
60/61 CVR Narrow Stile Alum. Door
62/63 CVR Narrow Stile H.M. Door
70/71 CVR Wide Stile Wood Door
80/81 CVR Wide Stile H.M. Door
82/83 CVR Wide Stile Alum. Door
- Fast and accurate installation
- Except for 03R, outside trims are easily changed or rekeyed without removing device from door

Features

- 6-position multi-step action in top latch keeps top and bottom bolts retracted until door closes and provides more consistent re-latching and security to door
- Top strike fully adjustable both vertically and to accommodate a variety of varying weather strip thicknesses
- Top strike both secures the door and re-engages the latchbolts
- Patented deadlocking of top (62 and 63 Series) and bottom bolt (62 Series) assemblies
- Durable steel bottom drop bolt (62 Series)
- Rods are easily adjustable with rods installed in door
- Angled end-cap deflects damage away from device
- Handed - field reversible
- Field sizeable
- 1/8 turn dogging

Mechanical Options

- F - 3-Hour Fire Rated without astragal up to 10 foot (steel) door
- AM - Anti-Microbial Coating
- HD - Hex Dogging (Std.)
- CD - Cylinder Dogging
- SLR - Silencer
- 30 - Fits 30" Door Width - limited electrical options
- 36 - Fits 36" Door Widths (Std.)
- 48 - Fits 48" Door Widths
- EC1 - Ramped Endcap - Heavy duty (standard on 630, 606, 612, 613, 605, 611 & 629 finishes only)
- EC2 - Flush Endcap (standard on 628, 693 & 695 Finishes only)

Electrical Options

- Exit Alarm (EA)
- Electric Dogging (ED)
- Electric Latch Retraction (ER)
- Delayed Egress Self-Contained (EE)
- Request to Exit (EX)
- Request to Exit for High Voltage (EXV)
- Electric Delayed Egress x Latch Retraction (EExER)

Refer to Electrified Options section for more information

Accessories

- SSK - Security Torx Screw Kit

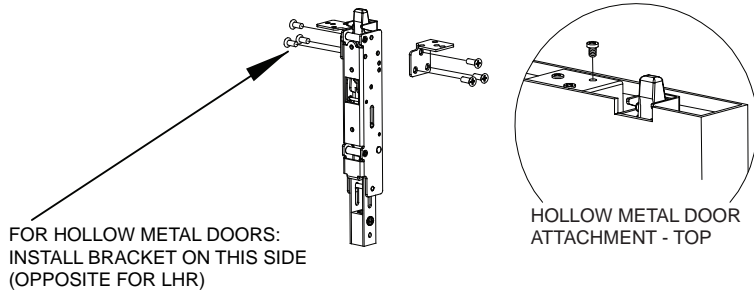
Technical Information

- Door Types - Hollow Metal
- Door Stile - Fits minimum 4-1/2"
- Door Thickness - Fits standard 1-3/4" - 2 1/4" (for other door thicknesses contact factory)
- Fasteners - Machine and sheet metal screws supplied standard
- Rail is heavy ribbed aluminum extrusion

Finishes

605 / US3	Polished Brass	628 / US28	Satin Aluminum	693 / SPBLK	Black, painted
606 / US4	Brushed Brass	629 / US32	Polished Stainless Steel	695 / SP313	Dark Bronze, painted
611 / US9	Polished Bronze	630 / US32D	Brushed Stainless Steel		
612 / US10	Brushed Bronze				
613 / US10B	Oil Rubbed Bronze				

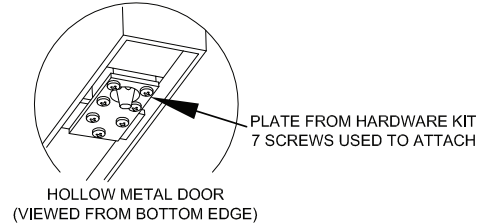
Top Latch Installation for 62 & 63 Series



FOR **FIRE RATED** HOLLOW METAL DOORS:
INSTALL BRACKETS ON BOTH SIDES

Bottom Latch Installation for 63 Series Only

Note: Bottom bracket may slide up on rod during assembly. It may be necessary to pull it towards bottom edge of door with a simple wire hook.



Detex Limited Warranty
10 Year Mechanical/3 year Electrical
Limited Manufacturer's Warranty

Listings and Approvals



UL Listed Panic Hardware



ULC 97, Standard 7-2 and
UL10B/UL10C for positive
pressure



UL Listed Fire Exit Hardware
for 3 hours, maximum (with
steel door) 8'x10' pairs of
doors



ANSI/BHMA certified A156.3



Meets ADA requirements



Meets NFPA 80 & 101 for Life
Safety



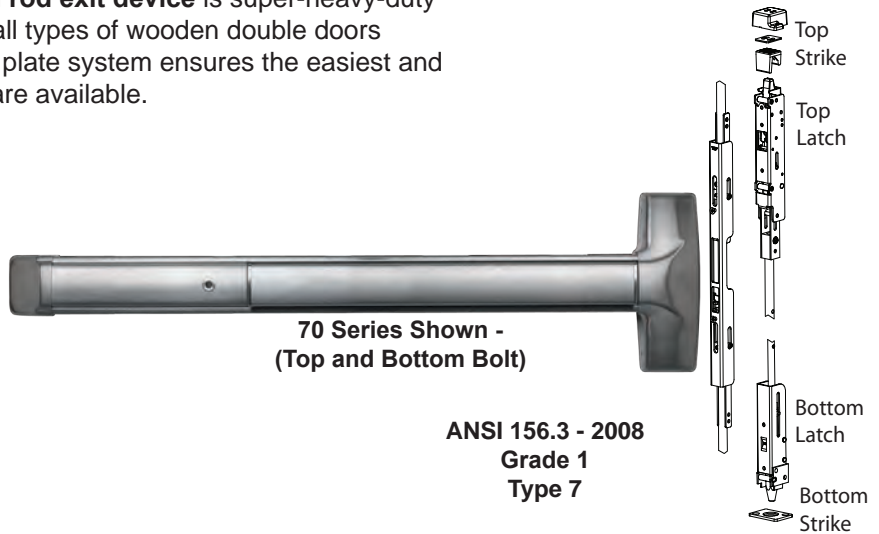
Detex Corporation
302 Detex Drive
New Braunfels, Texas 78130-3045 USA
PH. (830) 629-2900
(800) 729-3839
FAX (800) 653-3839
<http://www.detex.com>
USA Sales:
marketing@detex.com
International Sales:
export@detex.com



**70 SERIES
71 SERIES (Top Rod Only)
Concealed Vertical Rod Device - Wide Stile Wood Doors**

The 70 and 71 Series **concealed vertical rod exit device** is super-heavy-duty **panic and fire exit hardware** for use on all types of wooden double doors without a mullion. The patented mounting plate system ensures the easiest and most accurate installation of panic hardware available.

Note: For Top Rod Only -
Specify 71 Series



Benefits

- Tough and durable design for years of trouble-free service in high-use, high-abuse environments
- Minimal door prep saves time and money
- Aesthetically pleasing options to meet various applications including:
60/61 CVR Narrow Stile Alum. Door
62/63 CVR Narrow Stile H.M. Door
70/71 CVR Wide Stile Wood Door
80/81 CVR Wide Stile H.M. Door
82/83 CVR Wide Stile Alum. Door
- Fast and accurate installation
- Except for 03WSV, outside trims are easily changed or rekeyed without removing device from door

Features

- 6-position multi-step action in top latch keeps top and bottom bolts retracted until door closes and provides more consistent re-latching and security to door
- Top strike fully adjustable both vertically and to accommodate a variety of varying weather strip thicknesses
- Top strike both secures the door and re-engages the latchbolts
- Patented deadlocking of top (70 and 71 Series) and bottom (70 Series) bolt assemblies
- Durable steel bottom drop bolt (70 Series)
- Rods are easily adjustable with rods installed in door
- Angled end-cap deflects damage away from device
- Handed - field reversible
- Field sizeable
- 1/8 turn dogging

Mechanical Options

- F - 60 Minute Fire Rated without astragal up to 8 foot door
- AM - Anti-Microbial Coating
- HD - Hex Dogging (Std.)
- CD - Cylinder Dogging
- LD - Less Dogging
- SLR - Silencer
- 30 - Fits 30" Door Width - limited electrical options
- 36 - Fits 36" Door Widths (Std.)
- 48 - Fits 48" Door Widths
- EC1 - Ramped Endcap - Heavy duty (standard on 630, 606, 612, 613, 605, 611 & 629 finishes only)
- EC2 - Flush Endcap (standard on 628, 693 & 695 Finishes only)

Electrical Options

- Exit Alarm (EA)
- Electric Dogging (ED)
- Electric Latch Retraction (ER)
- Delayed Egress Self-Contained (EE)
- Request to Exit (EX)
- Request to Exit for High Voltage (EXV)
- Electric Delayed Egress x Latch Retraction (EEExER)

Refer to Electrified Options section for more information



Accessories

- SSK - Security Torx Screw Kit

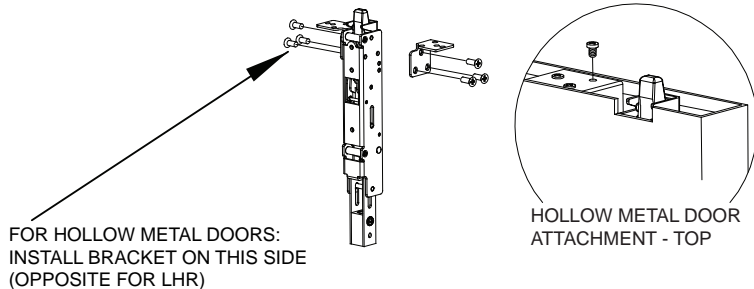
Technical Information

- Door Types - Wood
- Door Thickness - Fits standard 1-3/4" - 2 1/4" (for other door thicknesses contact factory)
NOTE: For secure installation, Detex recommends minimum 2" thick doors
- Fasteners - Wood screws supplied standard
- Door Stile - Fits minimum 5"
- Rail is heavy ribbed aluminum extrusion

Finishes

605 / US3	Polished Brass	628 / US28	Satin Aluminum	693 / SPBLK	Black, painted
606 / US4	Brushed Brass	629 / US32	Polished Stainless Steel	695 / SP313	Dark Bronze, painted
611 / US9	Polished Bronze				
612 / US10	Brushed Bronze	630 / US32D	Brushed Stainless Steel		
613 / US10B	Oil Rubbed Bronze				

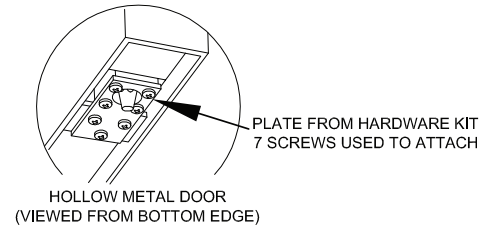
Top Latch Installation for 70 & 71 Series



FOR FIRE RATED HOLLOW METAL DOORS:
INSTALL BRACKETS ON BOTH SIDES

Bottom Latch Installation for 70 Series Only

Note: Bottom bracket may slide up on rod during assembly. It may be necessary to pull it towards bottom edge of door with a simple wire hook.



Listings and Approvals



UL Listed Panic Hardware



ULC 97, Standard 7-2 and UL10B/UL10C for positive pressure



Intertek Listed Fire Exit Hardware for 60 minutes, metal wrap on door lock edge required, with Georgia Pacific blue core 4x8 double egress pair, same swinging pair, or single door



ANSI/BHMA certified A156.3



Meets NFPA 80 & 101 for Life Safety



Meets ADA requirements

Detex Limited Warranty

10 Year Mechanical/3 year Electrical Limited Manufacturer's Warranty



Detex Corporation
302 Detex Drive
New Braunfels, Texas 78130-3045 USA
PH. (830) 629-2900
(800) 729-3839
FAX (800) 653-3839
<http://www.detex.com>
USA Sales:
marketing@detex.com
International Sales:
export@detex.com

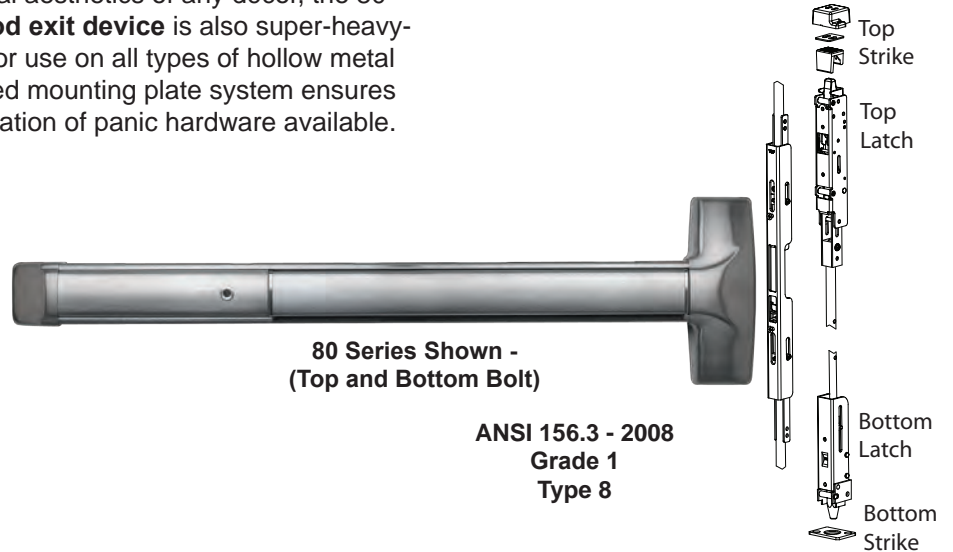


80 SERIES 81 SERIES (Top Rod Only)

Concealed Vertical Rod Device - Wide Stile Hollow Metal Door

Designed to enhance the architectural aesthetics of any décor, the 80 and 81 Series **concealed vertical rod exit device** is also super-heavy-duty **panic and fire exit hardware** for use on all types of hollow metal doors without a mullion. The patented mounting plate system ensures the easiest and most accurate installation of panic hardware available.

Note: For Top Rod Only -
Specify 81 Series



80 Series Shown -
(Top and Bottom Bolt)

ANSI 156.3 - 2008
Grade 1
Type 8

Benefits

- Tough and durable design for years of trouble-free service in high-use, high-abuse environments
- Minimal door prep saves time and money
- Aesthetically pleasing options to meet various applications including:
60/61 CVR Narrow Stile Alum. Door
62/63 CVR Narrow Stile H.M. Door
70/71 CVR Wide Stile Wood Door
80/81 CVR Wide Stile H.M. Door
82/83 CVR Wide Stile Alum. Door
- Fast and accurate installation
- Except for 03WSV, outside trims are easily changed or rekeyed without removing device from door

Features

- 6-position multi-step action in top latch keeps top and bottom bolts retracted until door closes and provides more consistent re-latching and security to door
- Top strike fully adjustable both vertically and to accommodate a variety of varying weather strip thicknesses
- Top strike both secures the door and re-engages the latchbolts
- Patented deadlocking of top (80 and 81 Series) and bottom bolt (80 Series) assemblies
- Durable steel bottom drop bolt (80 Series)
- Rods are easily adjustable with rods installed in door
- Angled end-cap deflects damage away from device
- Handed - field reversible
- Field sizeable
- 1/8 turn dogging

Mechanical Options

- F - 3-Hour Fire Rating without astragal up to 10 foot (steel) door
- AM - Anti-Microbial Coating
- HD - Hex Dogging (Std.)
- CD - Cylinder Dogging
- SLR - Silencer
- 30 - Fits 30" Door Width - limited electrical options
- 36 - Fits 36" Door Widths (Std.)
- 48 - Fits 48" Door Widths
- EC1 - Ramped Endcap - Heavy duty (standard on 630, 606, 612, 613, 605, 611 & 629 finishes only)
- EC2 - Flush Endcap (standard on 628, 693 & 695 Finishes only)

Electrical Options

- Exit Alarm (EA)
 - Electric Dogging (ED)
 - Electric Latch Retraction (ER)
 - Delayed Egress Self-Contained (EE)
 - Request to Exit (EX)
 - Request to Exit for High Voltage (EXV)
 - Electric Delayed Egress x Latch Retraction (EEExER)
- Refer to Electrified Options section for more information



Accessories

- SSK4- Security Torx Screw Kit
- Trim Functions (see Outside Trims)
- Electrified Options (see Electrified Options)

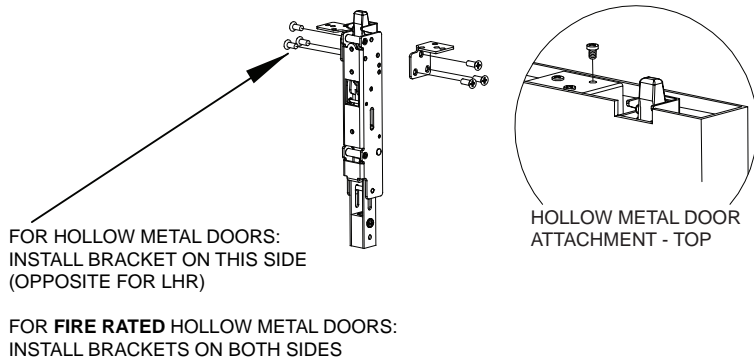
Technical Information

- Door Types - Hollow Metal
- Door Thickness - Fits standard 1-3/4" - 2-1/4" (for other door thicknesses contact factory)
- Minimum Stile - 5"
- Fasteners - Machine and Self-Drilling Screws standard
- Rail is heavy ribbed aluminum extrusion

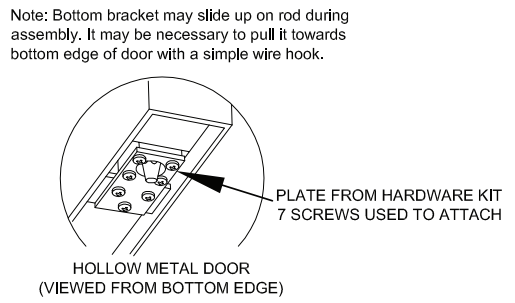
Finishes

605 / US3	Polished Brass	628 / US28	Satin Aluminum	693 / SPBLK	Black, painted
606 / US4	Brushed Brass	629 / US32	Polished Stainless Steel	695 / SP313	Dark Bronze, painted
611 / US9	Polished Bronze				
612 / US10	Brushed Bronze	630 / US32D	Brushed Stainless Steel		
613 / US10B	Oil Rubbed Bronze				

Top Latch Installation for 80 & 81 Series



Bottom Latch Installation for 80 Series Only



Detex Limited Warranty

10 Year Mechanical/3 year Electrical Limited Manufacturer's Warranty

Listings and Approvals



UL Listed Panic Hardware



ULC 97, Standard 7-2 and UL10B/UL10C for positive pressure



UL Listed Fire Exit Hardware for 3 hours, maximum 8'x10' pairs of doors



ANSI/BHMA certified A156.3



Meets ADA requirements



Meets NFPA 80 & 101 for Life Safety



Detex Corporation
 302 Detex Drive
 New Braunfels, Texas 78130-3045 USA
 PH. (830) 629-2900
 (800) 729-3839
 FAX (800) 653-3839
<http://www.detex.com>
 USA Sales:
marketing@detex.com
 International Sales:
export@detex.com



82 SERIES 83 SERIES (Top Rod Only)

Concealed Vertical Rod Device - Wide Stile Aluminum Door

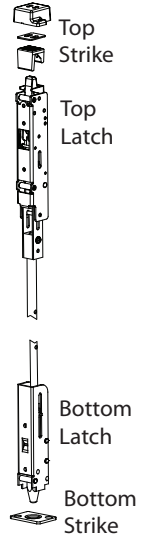
Designed to enhance the architectural aesthetics of any décor, the 82 and 83 Series **concealed vertical rod exit device** is also super-heavy-duty **panic and fire exit hardware** for use on all types of wide stile aluminum doors without a mullion. The patented mounting plate system ensures the easiest and most accurate installation of panic hardware available.

Note: For Top Rod Only -
Specify 83 Series



82 Series Shown -
(Top and Bottom Bolt)

ANSI 156.3 - 2008
Grade 1
Type 8



Benefits

- Tough and durable design for years of trouble-free service in high-use, high-abuse environments
- Minimal door prep saves time and money
- Aesthetically pleasing options to meet various applications including:
60/61 CVR Narrow Stile Alum. Door
62/63 CVR Narrow Stile H.M. Door
70/71 CVR Wide Stile Wood Door
80/81 CVR Wide Stile H.M. Door
82/83 CVR Wide Stile Alum. Door
- Fast and accurate installation
- Except for 03WSV, outside trims are easily changed or rekeyed without removing device from door

Features

- 6-position multi-step action in top latch keeps top and bottom bolts retracted until door closes and provides more consistent re-latching and security to door
- Top strike fully adjustable both vertically and to accommodate a variety of varying weather strip thicknesses
- Top strike both secures the door and re-engages the latchbolts
- Patented deadlocking of top (82 and 83 Series) and bottom bolt (82 Series) assemblies
- Durable steel bottom drop bolt (82 Series)
- Rods are easily adjustable with rods installed in door
- Angled end-cap deflects damage away from device
- Handed - field reversible
- Field sizeable
- 1/8 turn dogging

Mechanical Options

- F - 3-Hour Fire Rated without astragal up to 10 foot (steel) door
- AM - Anti-Microbial Coating
- HD - Hex Dogging (Std.)
- CD - Cylinder Dogging
- SLR - Silencer
- 30 - Fits 30" Door Width - limited electrical options
- 36 - Fits 36" Door Widths (Std.)
- 48 - Fits 48" Door Widths
- EC1 - Ramped Endcap - Heavy duty (standard on 630, 606, 612, 613, 605, 611 & 629 finishes only)
- EC2 - Flush Endcap (standard on 628, 693 & 695 Finishes only)

Electrical Options

- Exit Alarm (EA)
- Electric Dogging (ED)
- Electric Latch Retraction (ER)
- Delayed Egress Self-Contained (EE)
- Request to Exit (EX)
- Request to Exit for High Voltage (EXV)
- Electric Delayed Egress x Latch Retraction (EExER)

Refer to Electrified Options section for more information



Accessories

- SSK4- Security Torx Screw Kit
- Trim Functions (see Outside Trims)
- Electrified Options (see Electrified Options)

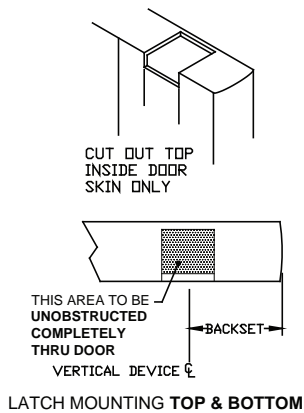
Technical Information

- Door Types - Aluminum/ Aluminum Channel FRP
- Door Thickness - Fits standard 1-3/4" - 2-1/4" (for other door thicknesses contact factory)
- Door Stile - Fits minimum 4-1/2"
- Fasteners - Machine and Self-Drilling Screws standard
- Rail is heavy ribbed aluminum extrusion

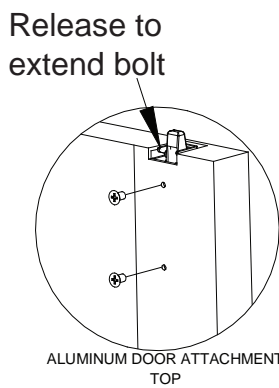
Finishes

605 / US3	Polished Brass	628 / US28	Satin Aluminum	693 / SPBLK	Black, painted
606 / US4	Brushed Brass	629 / US32	Polished Stainless Steel	695 / SP313	Dark Bronze, painted
611 / US9	Polished Bronze				
612 / US10	Brushed Bronze	630 / US32D	Brushed Stainless Steel		
613 / US10B	Oil Rubbed Bronze				

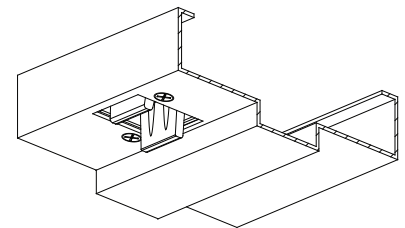
Top & Bottom Latch Door Prep for 82 & 83 Series



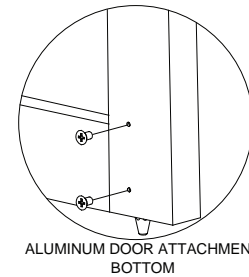
Top Latch Installation for 82 & 83 Series



Top Strike Installation for 82 & 83 Series



Bottom Latch Installation for 83 Series only



Listings and Approvals



UL Listed Panic Hardware



ULC 97, Standard 7-2 and UL10B/UL10C for positive pressure



UL Listed Fire Exit Hardware for 3 hours, maximum 8'x10' pairs of doors



ANSI/BHMA certified A156.3



Meets ADA requirements



Meets NFPA 80 & 101 for Life Safety

Detex Limited Warranty

10 Year Mechanical/3 year Electrical Limited Manufacturer's Warranty



Detex Corporation
 302 Detex Drive
 New Braunfels, Texas 78130-3045 USA
 PH. (830) 629-2900
 (800) 729-3839
 FAX (800) 653-3839
<http://www.detex.com>
 USA Sales:
marketing@detex.com
 International Sales:
export@detex.com



87 SERIES

High Security Relatching Concealed Vertical Rod Device

Designed to enhance the architectural aesthetics of any décor, the 87 Series high security concealed vertical rod exit device is also super-heavy-duty panic and fire exit hardware for use on all types of hollow metal doors without a mullion. The patented mounting plate system ensures the easiest and most accurate installation of panic hardware available.

Note: Only available with both top and bottom rod configuration



Benefits

- Tough and durable design for years of trouble-free service in high-use, high-abuse environments
- Outside trims are easily changed or rekeyed without removing device from door (exception: 03WSV)
- Fast and accurate installation saves time and money
- Minimal door prep saves time and money

Features

- 6-position multi-step action in top latch keeps top and bottom bolts retracted until door closes and provides more consistent re-latching and security to door
- Top strike fully adjustable both vertically and to accommodate a variety of varying weather strip thicknesses
- Top strike both secures the door and re-engages the latchbolts
- Patented deadlocking of top (80 and 81 Series) and bottom bolt (80 Series) assemblies
- Durable steel bottom drop bolt (80 Series)
- Rods are easily adjustable with rods installed in door
- Angled end-cap deflects damage away from device
- Handed - field reversible
- Field sizeable
- 1/8 turn dogging

Mechanical Options

- T - Tornado/Windstorm Rated (FEMA 361) - up to 42" wide and 88" height
- F - Contact factory for availability
- AM - Anti-Microbial Coating
- HD - Hex Dogging (Std.)
- CD - Cylinder Dogging
- SLR - Silencer
- 30 - Fits 30" Door Width - limited electrical options
- 36 - Fits 36" Door Widths (Std.)
- 48 - Fits 48" Door Widths
- EC1 - Ramped Endcap - Heavy duty (standard on 630, 606, 612, 613, 605, 611 & 629 finishes only)
- EC2 - Flush Endcap (standard on 628, 693 & 695 Finishes only)

Electrical Options

- Exit Alarm (EA)
- Electric Dogging (ED)
- Electric Latch Retraction (ER)
- Delayed Egress Self-Contained (EE)
- Request to Exit (EX)
- Request to Exit for High Voltage (EXV)
- Electric Delayed Egress x Latch Retraction (EExER)

Refer to Electrified Options section for more information

Accessories

- SSK4- Security Torx Screw Kit
- Trim Functions (see Outside Trims)
- Electrified Options (see Electrified Options)

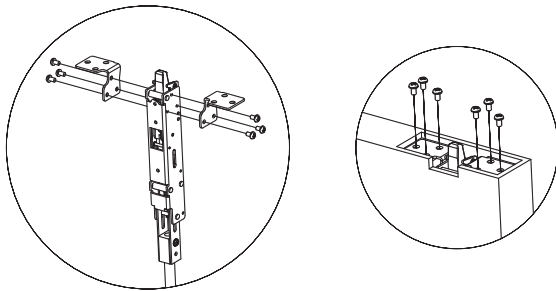
Technical Information

- Door Types - Hollow Metal
- Door Thickness - Fits standard 1-3/4" - 2-1/4" (for other door thicknesses contact factory)
- Minimum Stile - 5"
- Fasteners - Machine and Self-Drilling Screws standard
- Rail is heavy ribbed aluminum extrusion

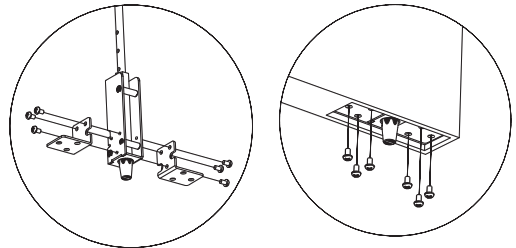
Finishes

605 / US3	Polished Brass	628 / US28	Satin Aluminum	693 / SPBLK	Black, painted
606 / US4	Brushed Brass	629 / US32	Polished Stainless Steel	695 / SP313	Dark Bronze, painted
611 / US9	Polished Bronze				
612 / US10	Brushed Bronze	630 / US32D	Brushed Stainless Steel		
613 / US10B	Oil Rubbed Bronze				

Top Latch Installation



Bottom Latch Installation



Listings and Approvals



UL Listed Panic Hardware



UBC 97, Standard 7-2 and UL10B/UL10C for positive pressure



UL Listed Fire Exit Hardware for 3 hours, maximum 8'x10' pairs of doors



Meets NFPA 80 & 101 for Life Safety



Meets ADA requirements



ANSI/BHMA certified A156.3

Qualified to meet FEMA 361; Tested at TEXAS Tech University National Wind Institute

Detex Limited Warranty

10 Year Mechanical/3 year Electrical Limited Manufacturer's Warranty

Where Trust is Built™

DETEX®

Life Safety and Security Door Hardware

Detex Corporation
 302 Detex Drive
 New Braunfels, Texas 78130-3045 USA
 PH. (830) 629-2900
 (800) 729-3839
 FAX (800) 653-3839
<http://www.detex.com>
 USA Sales:
marketing@detex.com
 International Sales:
export@detex.com



BHMA Functions

- 01** - Exit only, no trim or blank escutcheon
- 02** - Entrance by trim when actuating bar is locked down
- 03** - Entrance by trim when latch bolt is released by key. Key removable only when locked.
- 08** - Entrance by knob or lever. Key locks or unlocks knob or lever.
- 09** - Entrance by knob or lever only when released by key. Key removable only when locked.
- 10** - Entrance by lever. Inside or outside key locks or unlocks lever.
- 14** - Entrance by trim when latch bolt is released by knob, lever. Always active, no cylinder.
- EU** - Electric Unlock Trim
- EU2W** - Electric Unlock Trim (doors with 4" minimum stile width)



Exit Device & Trim Designation

Outside Trim Functions

	10 Series	20 Series	21 Series	30 Series	40 Series	50 Series	51 Series	60 Series	61 Series
ANSI Function	ANSI Type 1	ANSI Type 2	ANSI Type 2 Top Rod Only	ANSI Type 3	ANSI Type 4	ANSI Type 5	ANSI Type 5 Top Rod Only	ANSI Type 6	ANSI Type 6 Top Rod Only
Exit Only	10 F10 H10 FH10	20 F20	21 F21	30 F30	40 F40 H40 FH40	50 F50	51 F51	60 F60	61 F61
01	1001 F1001 H1001 FH1001	2001 F2001	2101 F2101	3001 F3001	4001 F4001 H4001 FH4001	5001 F5001	5101 F5101	6001 F6001	6101 F6101
Exit Only - Plate Trim	01C 01D 01W	01C 01D 01W	01C 01D 01W	01CM 01WM	01CN 01DN	01CN 01DN	01CN 01DN	01CNV 01DNV	01CNV 01DNV
02	1002 F1002 H1002 FH1002	2002 F2002	2102 F2102	3002 F3002	4002 F4002 H4002 FH4002	5002 F5002	5102 F5102	6002 F6002	6102 F6102
Dummy Trim - No Cylinder	02C 02D	02C 02D	02C 02D	02CM 02DM	02CN 02DN	02CN 02DN	02CN 02DN	02CNV 02DNV	02CNV 02DNV
03	1003 F1003 H1003 FH1003	2003 F2003	2103 F2103	3003 F3003	4003 F4003 H4003 FH4003	5003 F5003	5103 F5103	6003 F6003	6103 F6103
Entrance by trim when latchbolt is retracted by key. Key removable only when locked.	03C* 03W* 03W*	03C* 03W* 03W*	03C* 03W* 03W*	03CM* 03WM*	03CN* 03WS*	03CN* 03WS*	03CN* 03WS*	03CNV*	03CNV*
08	1008 F1008 H1008 FH1008	2008 F2008	2108 F2108	3008 F3008	4008 F4008 H4008 FH4008	5008 F5008	5108 F5108	6008 F6008	6108 F6108
Entrance by lever. Key locks or unlocks lever.	08D**	08D**	08D**	08DM**	08DN**	08DN**	08DN**	08DNV**	08DNV**
09	1009 F1009 H1009 FH1009	2009 F2009	2109 F2109	3009 F3009	4009 F4009 H4009 FH4009	5009 F5009	5109 F5109	6009 F6009	6109 F6109
Entrance by lever trim activated by key; locked when key removed.	09D**	09D**	09D**	09DM**	09DN**	09DN**	09DN**	09DNV**	09DNV**
10	1010 F1010 H1010 FH1010			3010 F3010					
Entrance by lever. Inside or outside key locks or unlocks lever.	10D			10DM**					
14	1014 F1014 H1014 FH1014	2014 F2014	2114 F2114	3014 F3014	4014 F4014 H4014 FH4014	5014 F5014	5114 F5114	6014 F6014	6114 F6114
Entrance by lever. Lever operable at all times.	14D	14D	14D	14DM	14DN	14DN	14DN	14DNV	14DNV

Prefix F denotes UL Listed Fire Exit Hardware

Prefix H denotes Hurricane Listed Rim Device

* Rim Cylinder Required

** Mortise Cylinder Required

	62 Series	63 Series	70 Series	71 Series	80 Series	81 Series	82 Series	83 Series
ANSI Function	ANSI Type 6	ANSI Type 6 Top Rod Only	ANSI Type 7	ANSI Type 7 Top Rod Only	ANSI Type 8	ANSI Type 8 Top Rod Only	ANSI Type 8	ANSI Type 8 Top Rod Only
Exit Only	62 F62	63 F63	70 F70	71 F71	80 F80	81 F81	82 F82	83 F83
01	6201 F6201	6301 F6301	7001 F7001	7101 F7101	8001 F8001	8101 F8101	8201 F8201	8301 F8301
Exit Only - Plate Trim	01CNV 01DNV	01CNV 01DNV	01CV 02CV	01CV 02CV	01CV 02CV	01CV 02CV	01CV 02CV	01CV 02CV
02	6202 F6202	6302 F6302	7002 F7002	7102 F7102	8002 F8002	8102 F8102	8202 F8202	8302 F8302
Dummy Trim - No Cylinder	02CNV 02DNV	02CNV 02DNV	02CV 02DV	02CV 02DV	02CV 02DV	02CV 02DV	02CV 02DV	02CV 02DV
03	6203 F6203	6303 F6303	7003 F7003	7103 F7103	8003 F8003	8103 F8103	8203 F8203	8303 F8303
Entrance by trim when latchbolt is retracted by key. Key removable only when locked.	03CNV*	03CNV*	03CV*	03CV*	03CV*	03CV*	03CV*	03CV*
08	6208 F6208	6308 F6308	7008 F7008	7108 F7108	8008 F8008	8108 F8108	8208 F8208	8308 F8308
Entrance by lever. Key locks or unlocks lever.	08CNV**	08CNV**	08CV**	08CV**	08CV**	08CV**	08CV**	08CV**
09	6209 F6209	6309 F6309	7009 F7009	7109 F7109	8009 F8009	8109 F8109	8209 F8209	8309 F8309
Entrance by lever trim activated by key; locked when key removed.	09DNV**	09DNV**	09DV**	09DV**	09DV**	09DV**	09DV**	09DV**
10								
Entrance by lever. Inside or outside key locks or unlocks lever.								
14	6214 F6214	6314 F6314	7014 F7014	7114 F7114	8014 F8014	8114 F8114	8214 F8214	8314 F8314
Entrance by lever. Lever operable at all times.	14DNV	14DNV	14DV	14DV	14DV	14DV	14DV	14DV

Prefix F denotes UL Listed Fire Exit Hardware
Prefix H denotes Hurricane Listed Rim Device
* Rim Cylinder Required
** Mortise Cylinder Required





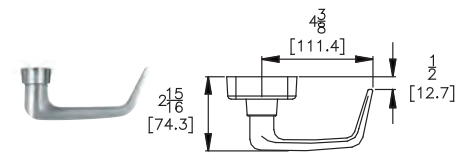
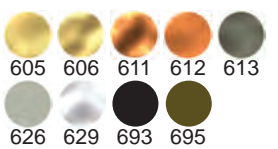


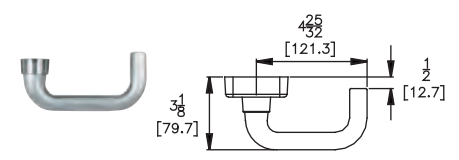
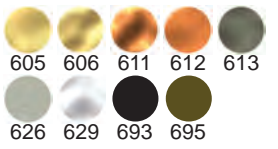
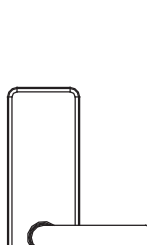

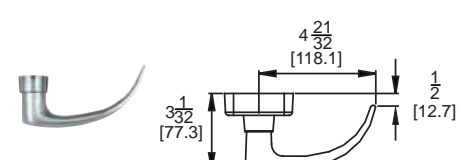
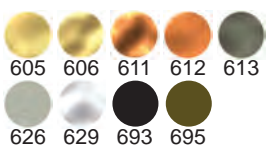
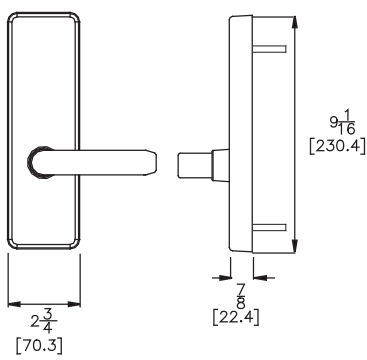

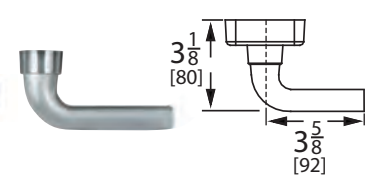



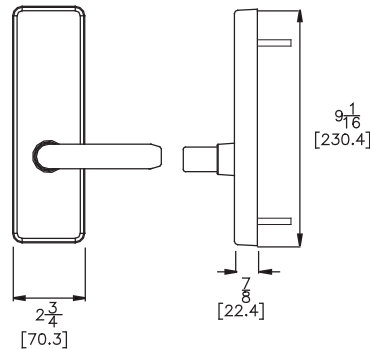
WIDE STILE LEVER TRIM DESIGNS

Assorted outside trims provide security for all types of installations. Built to be as durable as the panic devices, these heavy-duty trims will stand up to heavy use and abuse. The versatile design of the trims, combined with the device mounting plate, makes changing functions as simple as replacing the outside trim. This can easily be done without removing the exit device from the door. Wide stile trims can be used on 10 Series Rim and 20 and 21 Series Surface Vertical Rods. Add M to most trims for use with 30 Series Mortise devices. Add V to most trims for use with 70, 71, 80, 81, 82 and 83 Series Concealed Vertical Rod devices. Detex uses the BHMA functions/descriptions for all trims.

All Wide Stile Lever Trims come standard with a break-away type lever to prevent permanent damage from vandalism and abuse. Once the lever is forced past the locking point, the lever will drop down and appear broken. The internal disengaging clutch allows the lever to be reset by pulling it back to its original position. Anti-Microbial Coating (AM) is available on all levers - contact factory for lead time and details.

Standard Lever Trims

 <p>08D / 08DM / 08DV, 09D / 09DM / 09DV, EU / EUV (Electric Lock/ Unlock)</p>	<p>S Lever</p> 		
 <p>02D / 02DM / 02DV, 14D / 14DM / 14DV</p>	<p>T Lever</p> 		
	<p>U Lever</p> 		
	<p>Q Lever</p> 		
<p>605 / US3 Polished Brass 606 / US4 Brushed Brass 611 / US9 Polished Bronze 612 / US10 Brushed Bronze 613 / US10B Oil Rubbed Bronze 626 / US26D Brushed Chrome 629 / US32 Polished Stainless Steel 693 / SPBLK Black Painted 695 / SP313 Dark Bronze Painted</p>	<p>Where Trust is Built™ DETEX® Life Safety and Security Door Hardware</p>		



1075



1035



630

**FSB Lever Trims
available in 630/
US32D Brushed
Stainless Steel**



1076



1147



1016



1119



1093



1058

BHMA Function/Description For All Lever Trims

- 02 - Entrance by trim when actuating bar is locked down (dummy trim)
- 08 - Entrance by knob or lever. Key locks or unlocks knob or lever.
- 09 - Entrance by knob or lever only when released by key. Key removable only when locked.
- 10 - Entrance by lever. Inside or outside key locks or unlocks lever.
- 14 - Entrance by trim when latch bolt is released by knob or lever. Always active, no cylinder.
- EU - Electric Lock/Unlock - Fail Secure (FSE) or Fail Safe (FSA)

Technical Information

- D Trims are Forged Brass
- FSB Levers are Forged Steel
- KN - Knurling available on all standard levers
- When ordered with device, FSB Lever Trim will match Escutcheon plate, all finished in 630 Brushed Stainless Steel
- When ordered with device, trim will match mounting plate specified
- Wide stile trim configured for use with BP1 - Call factory for retrofit applications



Detex Corporation
302 Detex Drive
New Braunfels, Texas 78130-3045 USA
PH. (830) 629-2900
(800) 729-3839
FAX (800) 653-3839
<http://www.detex.com>
USA Sales:
marketing@detex.com
International Sales:
export@detex.com



WIDE STILE

OUTSIDE PULL & PLATE TRIM DESIGNS

Assorted outside trims provide security for all types of installations. Built to be as durable as the panic devices, these heavy-duty trims will stand up to heavy use and abuse. The versatile design of the trims, combined with the device mounting plate, makes changing functions as simple as replacing the outside trim. This can easily be done without removing the exit device from the door. Wide stile trims can be used on 10 Series Rim and 20 and 21 Series Surface Vertical Rods. Add M to most trims for use with 30 Series Mortise devices. Add V to most trims for use with 70, 71, 80, 81, 82 and 83 Series Concealed Vertical Rod devices. Detex uses the BHMA functions/descriptions for all trims.

C/CM/CV TRIM S Pull Standard (Anti-Microbial Coating available)



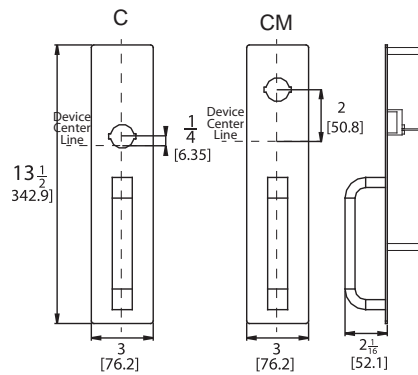
01C / 01CM / 01CV



02C / 02CM / 02CV



03C / 03CM / 03CV



W/WM Trim

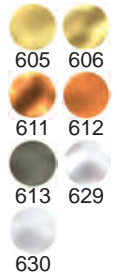
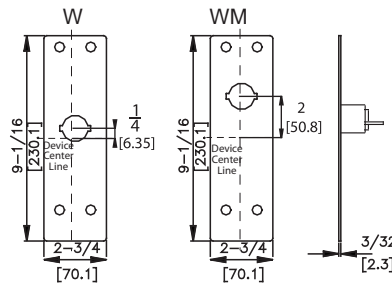
W/WM Trim not available with 70 and 80 Series



01W / 01WM



03W / 03WM

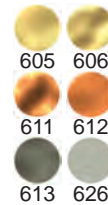
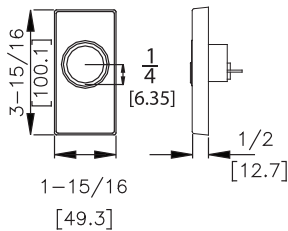


WS/WSV Trim

WS Trim not available with 30 Series

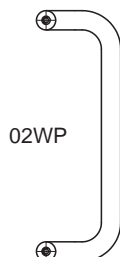


03WS / 03WSV

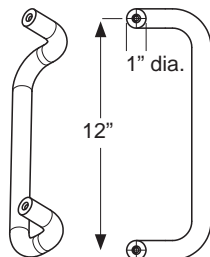


WP Trim

WP Trim available with 70/80 Series only



02WP



630

Z Trim

Z Trim (Vandal Pull) available with 10/20/21 Series only
*Available in 630 (Brushed Stainless Steel) Only

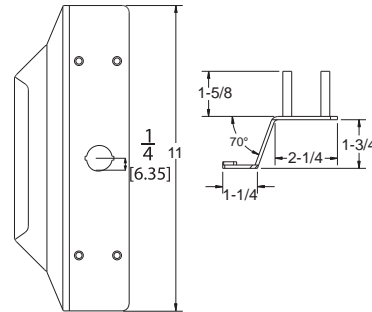
02Z and 03Z Trims are shipped RHR unless specified LHR



02Z
Specify Handing



03Z
Specify Handing



BHMA Function/Description

- 01 - Exit only, no trim or blank escutcheon
- 02 - Entrance by trim when actuating bar is locked down (dummy trim)
- 03 - Entrance by trim when latch bolt is released by key. Key removable only when locked.

Technical Information

- C and W Trims are Stainless Steel
- WS Trims are Forged Brass
- When ordered with device, trim will match mounting plate specified
- Wide stile trim configured for use with BP1 or BP7 (when ordered with 03 function) - standard on 10, 20/21 Series, BP11 or BP13 (when ordered with 03 function) - standard on 70, 80/81/82/83 Series
Call factory for retrofit applications

Finishes

605 / US3	Polished Brass
606 / US4	Brushed Brass
611 / US9	Polished Bronze
612 / US10	Brushed Bronze
613 / US10B	Oil Rubbed Bronze
626 / US26D	Brushed Chrome
629 / US32	Polished Stainless Steel
630 / US32D	Brushed Stainless Steel

Where Trust is Built™
DETEX®
Life Safety and Security Door Hardware

Detex Corporation
302 Detex Drive
New Braunfels, Texas 78130-3045 USA
PH. (830) 629-2900
(800) 729-3839
FAX (800) 653-3839
<http://www.detex.com>
USA Sales:
marketing@detex.com
International Sales:
export@detex.com

ADVANTEX[®]

NARROW STILE

LEVER TRIM DESIGNS

Assorted outside trims provide security for all types of installations. Built to be as durable as the panic devices, these heavy-duty trims will stand up to heavy use and abuse. The versatile design of the trims, combined with the device mounting plate, makes changing functions as simple as replacing the outside trim. This can easily be done without removing the exit device from the door. Narrow stile trims can be used on 40 Series Rim, 50 / 51 Series Surface Vertical Rods and 60 / 61 / 62 / 63 Concealed Vertical Rods. Detex uses the BHMA functions/descriptions for all trims. Anti-Microbial Coating (AM) is available on all levers - contact factory for lead time and details.

DN / DNV / EU2W Trim

S Lever Standard

01DN

02DN, 02DNV
14DN, 14DNV

08DN, 08DNV
09DN, 09DNV,

EU2W - wide escutcheon for 40/50/51 Series only

*For use on doors with minimum 3-1/2" stile

$1\frac{7}{8}$ [47.6]

$8\frac{1}{4}$ [209.6]

$\frac{7}{8}$ [22.4]

S Lever

T Lever

U Lever

Q Lever

$2\frac{15}{8}$ [74.3]

$4\frac{3}{8}$ [111.4]

$\frac{1}{2}$ [12.7]

$3\frac{1}{8}$ [79.7]

$4\frac{25}{32}$ [121.3]

$\frac{1}{2}$ [12.7]

$3\frac{1}{32}$ [77.3]

$4\frac{21}{32}$ [118.1]

$\frac{1}{2}$ [12.7]

$3\frac{1}{8}$ [80]

$3\frac{5}{8}$ [92]

605 606 611 612 613

626 629 693 695

605 606 611 612 613

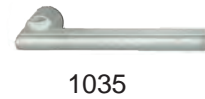
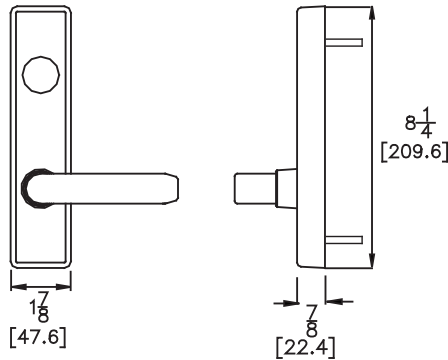
626 629 693 695

605 606 611 612 613

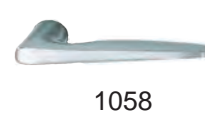
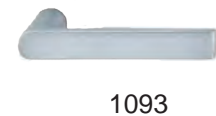
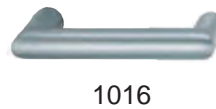
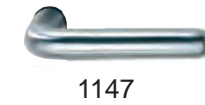
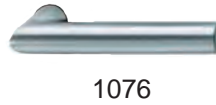
626 629 693 695

626

- 605 / US3 Polished Brass
- 606 / US4 Brushed Brass
- 611 / US9 Polished Bronze
- 612 / US10 Brushed Bronze
- 613 / US10B Oil Rubbed Bronze
- 626 / US26D Brushed Chrome
- 629 / US32 Polished Stainless Steel
- 693 / SPBLK Black Painted
- 695 / SP313 Dark Bronze Painted



**FSB Lever
Trims available
in only 630/
US32D Brushed
Stainless Steel**



BHMA Function/Description

- 01 - Exit only, no trim or blank escutcheon
- 02 - Entrance by trim when actuating bar is locked down (dummy)
- 03 - Entrance by trim when latch bolt is released by key. Key removable only when locked.
- 08 - Entrance by knob or lever. Key locks or unlocks knob or lever.
- 09 - Entrance by knob or lever only when released by key. Key removable only when locked.
- 10 - Entrance by lever. Inside or outside key locks or unlocks lever.
- 14 - Entrance by trim when latch bolt is released by knob or lever. Always active, no cylinder.
- EU2W - Electric Lock / Unlock, wide escutcheon - Fail Secure or Fail Safe

Technical Information

- CN Trims are Stainless Steel
- DN and WS Trims are Forged Brass
- KN - Knurling available on all levers
- Advantex narrow stile trim also available for use with all Value Series Devices
- Narrow stile trim configured for use with BP2 or BP8 (when ordered with 03 function) - Standard for use on 40, 50/51 Series, BP10 or BP12 (when ordered with 03 function) - Standard for use on 60/61, 62/63 Series
Call factory for retrofit applications
- When ordered with device, trims will match mounting plate specified

Where Trust is Built™
DETEX®
Life Safety and Security Door Hardware

Detex Corporation
302 Detex Drive
New Braunfels, Texas 78130-3045 USA
PH. (830) 629-2900
(800) 729-3839
FAX (800) 653-3839
<http://www.detex.com>
USA Sales:
marketing@detex.com
International Sales:
export@detex.com



NARROW STILE OUTSIDE PULL & PLATE TRIM DESIGNS

Assorted outside trims provide security for all types of installations. Built to be as durable as the panic devices, these heavy-duty trims will stand up to heavy use and abuse. The versatile design of the trims, combined with the device mounting plate, makes changing functions as simple as replacing the outside trim. This can easily be done without removing the exit device from the door. Narrow stile trims can be used on 40 Series Rim, 50 / 51 Series Surface Vertical Rods and 60 / 61 / 62 / 63 Concealed Vertical Rods. Detex uses the BHMA functions/descriptions for all trims.

CN / CNV TRIM

S Pull Standard

(Anti-Microbial
Coating available)

01CN,
01CNV



02CN,
02CNV



03CN,
03CNV

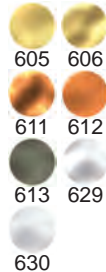
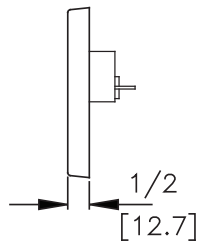
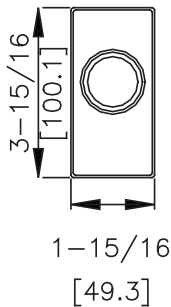


WS Trim

WS Trim not available with 60 Series



03WS

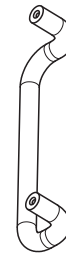


WP Trim

WP Trim available
with 60 Series
only



02WP



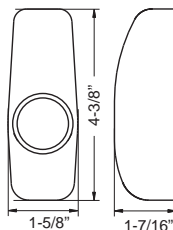
630

R Trim

R Trim available
with 60 Series
only



03R



630

BHMA Function/Description

- 01 - Exit only, no trim or blank escutcheon
- 02 - Entrance by trim when actuating bar is locked down (dummy)
- 03 - Entrance by trim when latch bolt is released by key. Key removable only when locked.
- 08 - Entrance by knob or lever. Key locks or unlocks knob or lever.
- 09 - Entrance by knob or lever only when released by key. Key removable only when locked.
- 10 - Entrance by lever. Inside or outside key locks or unlocks lever.
- 14 - Entrance by trim when latch bolt is released by knob or lever. Always active, no cylinder.
- EU2W - Electric Lock / Unlock, wide escutcheon - Fail Secure or Fail Safe

Technical Information

- CN Trims are Stainless Steel
- DN and WS Trims are Forged Brass
- KN - Knurling available on all levers
- Narrow stile trim configured for use with BP2 or BP8 (when ordered with 03 function) - Standard for use on 40, 50/51 Series, BP10 or BP12 (when ordered with 03 function) - Standard for use on 60/61, 62/63 Series
Call factory for retrofit applications
- Advantex narrow stile trim also available for use with all Value Series Devices
- When ordered with device, trims will match mounting plate specified

Finishes

605 / US3	Polished Brass
606 / US4	Brushed Brass
611 / US9	Polished Bronze
612 / US10	Brushed Bronze
613 / US10B	Oil Rubbed Bronze
629 / US32	Polished Stainless Steel
630 / US32D	Brushed Stainless Steel



Detex Corporation
302 Detex Drive
New Braunfels, Texas 78130-3045 USA
PH. (830) 629-2900
(800) 729-3839
FAX (800) 653-3839
<http://www.detex.com>
USA Sales:
marketing@detex.com
International Sales:
export@detex.com



Electrified Options Definitions

EA	Exit Alarm with 9VDC/12VAC, Remote Bypass and Remote Signal Relay
EBxW	Exit Alarm With Battery - Weatherized
ED	Electric Dogging
EE	Electric Delayed Egress
EExER	Electric Delayed Egress with Latch Retraction
EI	Electric Integration - Includes ES Switches, piezo, key switch and 2 LEDs
EM	Electric Delayed Egress with Magnetic Lock
ER	Electric Latch Retraction
ERxW	Electric Latch Retraction - Weatherized
ES/EX/EXV/ EXxW/LX	Electric Switching and Signaling
EU	Electric Unlock Trim
EU2W	Electric Unlock Trim (Used with Advantex 40/50/51 Series, on doors with 4" minimum stile width)

Accessories

All Electrified Options are available on Fire Exit Hardware and Hurricane Rated Devices



Exit Alarm (EA)

The Exit Alarm (EA) device option is designed for areas that require a stand-alone alarm on an emergency exit door. The alarm will sound when someone attempts to exit a door by depressing the pushpad, alerting management that violation has occurred. The internal alarm with remote signal and remote bypass capabilities is ideal for doors where both security and life safety are a concern.



10 Series Rim Exit Device shown
Shown with Factory Installed Mortise Cylinder - Sold Separately

Available with 10/40 Rim, 30 Mortise, 20/21/50/51 Surface Vertical Rod Devices and 60/61/62/63/70/71/80/81/82/83 Concealed Vertical Rod Devices

Benefits

- Controls foot traffic, deters unauthorized exits, prevents loss and meets building code requirements
- Reduced employee and customer theft
- Fast and easy installation
- One cylinder provides arming, disarming and dogging
- Durable electronics provide years of trouble-free service, saving on replacement costs

Features

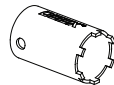
- Powered by standard 9-volt battery or 12V or 24V AC/DC power with 9-volt battery backup
- Arming delay - Factory default is 15 second delay after key reset. 1 second or 5 second delays also available. Call factory
- 100dB alarm
- Manual/Auto Rearming - Factory default is field-selectable for manual key arming or 2 minute auto rearm. 10 minute and 20 minute auto rearm also available. Call Factory
- State-of-the-art electronics offer reliable security and instantaneous alarm
- Mortise cylinder key switch arming
- Visual and audible arming indicators
- Through-wire hinge or power transfer compatible
- Low Battery Alert (Audible/Visual)

Mechanical Options

- CD - Cylinder Dogging
- SLR - Silencer
- LD - Less Dogging
- KS - Key Stop (Key removed only when armed)
- Add to existing 10/20/21/30/40/50/51 device by adding EA slide-in filler (specify finish and door width)

Accessories

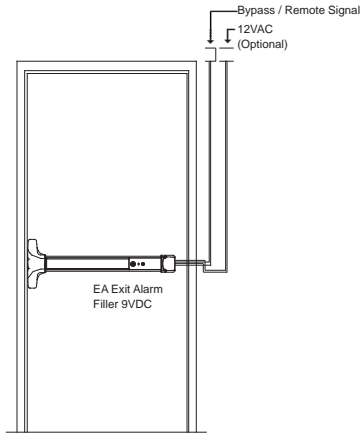
- FCA - Flex Conduit End Cap Kit (End cap mounted)
- MC65 - Factory Installed Mortise Cylinder
- PP-5152-3 - 12 VAC Transformer
- AL18 - Surface Armored Loop (Door/Frame mounted)
- Optional Cylinder Nut Wrench P/N: 103779
- PP-5152-2 - 24 VAC Transformer
- PT5 - Power Transfer



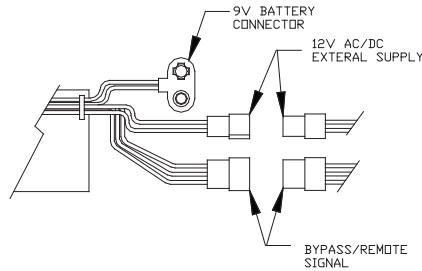
Device Finishes

605 / US3	Polished Brass	628 / US28	Aluminum Satin	693 / SPBLK	Black, Painted
606 / US4	Brushed Brass	629 / US32	Polished Stainless Steel	695 / SP 313	Dark Bronze, Painted
611 / US9	Polished Bronze				
612 / US10	Brushed Bronze	630 / US32D	Brushed Stainless Steel		
613 / US10B	Oil Rubbed Bronze				

Riser Diagram



Power Connections



Listings and Approvals

See individual device (i.e. 10 Series) catalog page for listings and approvals

Detex Limited Warranty

10 Year Mechanical/3 Year Electrical Limited Manufacturer's Warranty

Where Trust is Built™
DETEx®
Life Safety and Security Door Hardware

Detex Corporation
302 Detex Drive
New Braunfels, Texas 78130-3045 USA
PH. (830) 629-2900
(800) 729-3839
FAX (800) 653-3839
<http://www.detex.com>
USA Sales:
marketing@detex.com
International Sales:
export@detex.com



Weatherized Alarmed Rim Exit Device (EBxW)

The **EBxW** is designed for doors and gates requiring a stand alone, battery powered, alarmed, weatherized panic device. The **100dB alarm** will sound when someone attempts to exit, alerting management to the unauthorized exit. The internal alarm with both remote bypass and remote signaling capabilities is ideal for applications where both security and life safety are a concern. In addition to listing as UL panic and fire exit hardware device, this device conforms to UL1034-34 Temperature Section 34, UL1034-54 Dust Section 54, MIL-STD 810F, Method 506.4 (driving rain test); MIL-STD 810F, Method 509.4 (salt fog test) and UBC standard 7-2 (positive pressure).



Wide Stile shown, for Narrow Stile, specify NS Option
(for use on 36" and 48" doors with 2" stiles).

Available with 10/40 Series Rim, 30 Series Mortise, 20/21/50/51 Series Surface Vertical Rod Devices and 60/61/62/63/70/71/80/81/82/83 Series Concealed Vertical Rod Devices

Benefits

- Weather resistant loss prevention hardware designed for use in outdoor or wet environments
- Patented back plate and plastic strike locator designed for perfect alignment with door and frame without paper template
- Fast, easy, trouble-free installation prevents costly mistakes and enhances security
- Provides reliable loss prevention protection 24 hours a day
- Controls foot traffic to deter unauthorized exits and reduces employee and customer theft
- Rugged, durable, corrosion-resistant design reduces maintenance
- Aesthetically pleasing design for almost any door or gate in any décor

Features

- Powered by standard 9-volt battery
- Stainless steel, self-latching bolt
- Angled end cap deflects damage
- Tamper-resistant, immersion-proof security switches
- Covers a 161 door prep
- Armed and disarmed field selectable status indicator
- 100dB alarm
- Indefinite alarm requiring manual rearm or variable 2 min. alarm duration with auto re-arm
- Cylinder dogging standard (can also be ordered less dogging)
- Plated steel, anodized aluminum and ABS components endure heavy use and exposure to the elements
- Visual and audible arming indicators
- Tamper-resistant housing protects electronics, battery and internal hardware, preventing manipulation
- Tapered design sheds rainwater
- Visual and audible low battery alert

Mechanical Options

- CD - Cylinder Dogging (Std.)
- LD - Less Dogging
- 36 - Fits 36" Door Width (Std.)
- 48 - Fits 48" Door Width
- F - 3-Hour Fire Rated
- H - Hurricane Rated
- 99 - Surface Strike (Std.)
- 98 - Semi Mortise Strike
- Available with 711 (Black) Base Rail Extrusion



Electrical Options

- Remote Signal Form C signaling when alarm sounds and remote bypass input allows authorized use without an alarm - standard feature

Other Weatherized Detex Products Include:

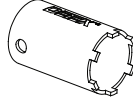
- Request to Exit Signalling Weatherized (EXxW)

- GTPL - Adjustable Gate Plate
- Weatherized Delayed Egress EasyKit (WDEx10)

Accessories

- SN1 - Sex Nut Fasteners
- KS - Key Stop - key removed only when armed

- Optional Cylinder Nut Wrench P/N: 103779



- Outside Trim (see Advantex Trim Options)

Device Finishes

605 / US3 Polished Brass

606 / US4 Brushed Brass

611 / US9 Polished Bronze

612 / US10 Brushed Bronze

613 / US10B Oil Rubbed Bronze

628 / US28

Aluminum Satin

629 / US32

Polished Stainless Steel

630 / US32D

Brushed Stainless Steel

693 / SPBLK Black, Painted

695 / SP 313 Dark Bronze, Painted

Technical Information

- Door Types - Wood, Hollow Metal, Fiberglass
- 2" Aluminum doors need to be ordered as a narrow stile (NS)
- Door Thickness - Fits standard 1-3/4" - 2-1/4"
- Door Stile - Fits 2" narrow stile doors with 98 semi-mortise strike - Specify NS

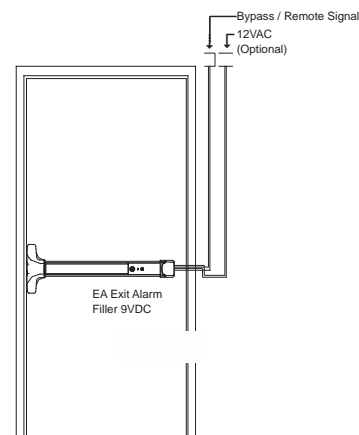
- Door Stile - Fits standard door with 99 surface strike (Std.)
- Exceeds MIL810F Method 506.4 Driving Rain (simulating 4"/hr. rain w/40mph wind)
- Exceeds MIL810F Method 509.4 Salt Fog Test (simulating effects of corrosive environments similar to atmospheric conditions found in coastal regions)

- Machine and Self Drilling Screws (Std.)
- Optional Sex Nuts or Security Torx Screws available

Listings and Approvals

See individual device (i.e. 10 Series) catalog page for listings and approvals

Riser Diagram



Detex Limited Warranty

10 Year Mechanical/3 Year Electrical Limited Manufacturer's Warranty

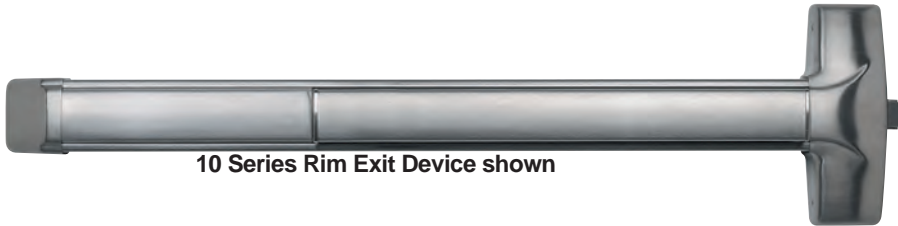
Where Trust is Built™
DETEx®
Life Safety and Security Door Hardware

Detex Corporation
 302 Detex Drive
 New Braunfels, Texas 78130-3045 USA
 PH. (830) 629-2900
 (800) 729-3839
 FAX (800) 653-3839
<http://www.detex.com>
 USA Sales:
marketing@detex.com
 International Sales:
export@detex.com



Electric Dogging (ED)

The Electric Dogging (ED) device option is designed for entrance and exit doors with panic or fire exit hardware. When energized, and after the pushpad is depressed, the pushpad and the latch bolt remain retracted, providing push-pull operation. Relocking all devices is accomplished by using a single switch or through a fire alarm input.



10 Series Rim Exit Device shown

Available with 10/40 Rim, 30 Mortise, 20/21/50/51 Surface Vertical Rod Devices and 60/61/62/63/70/71/80/81/82/83 Concealed Vertical Rod Devices

Benefits

- One-touch operation turns any secured door or group of doors into push-pull openings and releases them as required
- Door remains locked until first activation of pushpad (exit)
- Economical alternative to latch retraction when only dogging is required
- Simple mounting and wiring provide quick, trouble free installation, saving time and money
- Pushpad remains depressed while latch is retracted, preventing unnecessary cycling, for quieter operation

Features

- Maintained latch and pushpad retraction
- Continuous duty magnet
- Operates on 24VAC or 24VDC

Mechanical Options

- FC - Flex Conduit and End Cap
- AL-18 - Surface Armored Loop (Door/Frame mounted)

Electrical Options

- Request to Exit (EX)
- 90-800 Power Supply - 24VDC filtered, regulated with fire loop connection
- PP-5152-2 24VAC Transformer

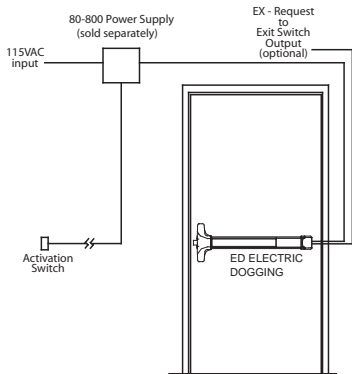
Technical Information

- Fire rated devices require fire alarm panel interface for fire code compliance

Device Finishes

605 / US3	Polished Brass	628 / US28	Aluminum Satin	693 / SPBLK	Black, Painted
606 / US4	Brushed Brass	629 / US32	Polished Stainless Steel	695 / SP 313	Dark Bronze, Painted
611 / US9	Polished Bronze				
612 / US10	Brushed Bronze	630 / US32D	Brushed Stainless Steel		
613 / US10B	Oil Rubbed Bronze				

Riser Diagram



Listings and Approvals

See individual device (i.e. 10 Series) catalog page for listings and approvals

Detex Limited Warranty

10 Year Mechanical/3 Year Electrical Limited Manufacturer's Warranty

Where Trust is Built™
DETEx®
Life Safety and Security Door Hardware

Detex Corporation
302 Detex Drive
New Braunfels, Texas 78130-3045 USA
PH. (830) 629-2900
(800) 729-3839
FAX (800) 653-3839
<http://www.detex.com>
USA Sales:
marketing@detex.com
International Sales:
export@detex.com



Delayed Egress Rim Exit Device (EE)

The Delayed Egress Rim Exit Device (EE) is designed for **primary and secondary exits** and provides a secure **15-second delay** and a **100dB alarm** when someone attempts to exit. This 15-second delay allows time for management to respond to the alarm before someone exits and the alarm deters the exit from occurring. Per life safety requirements, the EE must be provided with a fire alarm input, thus providing a system override during a fire emergency. The EE provides security while meeting all life safety concerns, offering an exceptional value.



10 Series Rim Exit Device shown

Power Supply Included as standard feature
Shown with factory installed mortise cylinder

Available with 10/40 Rim, 30 Mortise, 20/21/50/51 Surface Vertical Rod Devices and 60/61/62/63/70/71/80/81/82/83 Concealed Vertical Rod Devices

Benefits

- Fast and easy installation
- Secure installation prevents mistakes, enhances security and reduces maintenance
- Fits almost any door in any décor
- Provides immediate egress while securing against entry during a power failure/fire alarm
- Durable design provides years of trouble-free protection, saving on replacement costs
- One cylinder provides arming, disarming and dogging
- Controls foot traffic, deters unauthorized exits, prevents loss and meets building code requirements
- Can be combined with ER Option and operator to provide Delayed Egress and an automatic door (See EExER Option)

Features

- Powered by a 24VDC filtered and regulated power supply
- Heavy-duty angled end-cap
- 9V battery provides alarm function only in case of power failure
- Panic Device and power supply have passed testing for electrostatic discharge (ESD) by an independent testing laboratory
- Heavy-duty ribbed aluminum rail extrusion
- Armed and disarmed field selectable status indicator
- Power supply delivers a constant 24VDC of filtered and regulated voltage at a rated load of 1A, including ripple rejection and transient noise suppression circuitry
- Accommodates all types of mortise cylinders with a standard Yale cam
- Delayed arming allows arming after door closes
- Patented mounting plate and strike locator system provide perfect alignment with door and frame
- Remote signal output and remote bypass input standard
- Single mortise cylinder provides arming and dogging - can be factory installed
- Alarm triggered by latch bolt or pushpad movement
- State-of-the-art electronics offer reliable security and instantaneous alarm
- Fire alarm input can be connected at power supply or panic bar
- Visual and audible arming indicators
- Includes delayed egress panic bar, 24VDC filtered and regulated power supply, and door sign

Where Trust is Built™



Mechanical Options

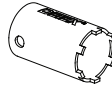
- MC65 - Factory Installed Mortise cylinder
- IC7 - Factory Installed IC Housing
- F - 3-Hour Fire Rated
- H - Hurricane rating
- SLR - Silencer
- CD - Cylinder Dogging (Std.)
- LD - Less Dogging
- KS - Key Stop (Key removed only when armed)
- 36" Door Width (Std.)
- 48" Door Width
- 99 - Surface Strike (Std.)
- 98 - Semi Mortise Strike

Electrical Options

- 30 - 30 second delayed egress prior approval letter from Authority Having Jurisdiction required
 - AL18 - Surface Armored Loop (Door/Frame mounted)
 - PT5 - Power Transfer
 - SI - Status Indicators - Armed/Disarmed
 - EE05 Options Package - Non-extended bypass, alarm sounds if door left open / silent arming / reset alarm with access control, or reset alarm with key only.
- Other Advantex delayed egress panic devices include:
- Delayed Egress with Electromagnetic Lock (EM)

Accessories

- SN1 - Sex Nut fasteners
- Optional Cylinder Nut Wrench P/N: 103779
- Foreign Language Signs available Contact Factory



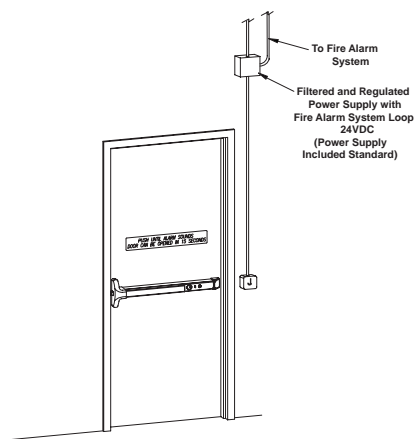
Technical Information

- Door Types - Wood, Hollow Metal, Fiberglass or Aluminum
- Door Stile - See applicable device page
- Machine and Self-Drilling fasteners (Std.)
- Door Thickness - Fits standard 1 3/4" - 2 1/4"
- Optional Sex Nuts or Security Torx Screws available

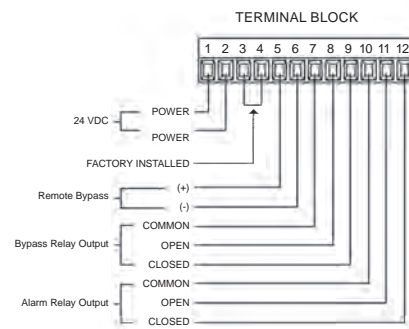
Device Finishes

605 / US3	Polished Brass	628 / US28	Aluminum Satin	693 / SPBLK	Black, Painted
606 / US4	Brushed Brass	629 / US32	Polished Stainless Steel	695 / SP 313	Dark Bronze, Painted
611 / US9	Polished Bronze				
612 / US10	Brushed Bronze	630 / US32D	Brushed Stainless Steel		
613 / US10B	Oil Rubbed Bronze				

Riser Diagram



Terminal Block



Detex Limited Warranty

10 Year Mechanical/3 Year Electrical Limited Manufacturer's Warranty

Listings and Approvals

See individual device (i.e. 10 Series) catalog page for listings and approvals

Where Trust is Built™
DETEX®
Life Safety and Security Door Hardware

Detex Corporation
 302 Detex Drive
 New Braunfels, Texas 78130-3045 USA
 PH. (830) 629-2900
 (800) 729-3839
 FAX (800) 653-3839
<http://www.detex.com>
 USA Sales:
marketing@detex.com
 International Sales:
export@detex.com



Delayed Egress with Latch Retraction (EExER) (Patented)

Delayed Egress with Latch Retraction (EExER) is designed for applications where both delayed egress and remote unlocking, remote dogging, access control or an automatic door operator is desired. An EX Request to Exit Switch is included for push pad monitoring. The 100 dB alarm will sound when someone attempts to exit but the door will remain locked for 15 seconds, deterring unauthorized exits and providing time to respond to the alarm. Ideal for restricted areas, access controlled doors, and any door requiring authorized entry or exit, while preventing unauthorized entry or exit. Perfect for fire-rated, cross corridor, access controlled, delayed egress doors with automatic operators, all without using magnetic locks or electric strikes.



10 Series Rim Exit Device shown

**PUSH UNTIL ALARM SOUNDS
DOOR CAN BE OPENED IN 15 SECONDS**



Logic Controller / Power Supply Required but not included

RIU specified & supplied with Logic Controller

Available with 10/40 Rim, 30 Mortise, 20/21/50/51 Surface Vertical Rod Devices and 60/61/62/63/70/71/80/81/82/83 Concealed Vertical Rod Devices)

Benefits

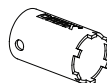
- All delayed egress and access control functions are implemented in the exit device, no external magnets, electric strikes or electric trims are needed
- 15-second delay prevents unauthorized exit, reduces theft and protects those trying to exit
- Use of any access control system and latch retraction allows entry/exit for any authorized card holder
- Required fire alarm input provides life safety override for immediate exit during a fire emergency
- Easy-to-operate with visual and audible arming indicators
- Simple mounting and wiring provide quick, trouble-free and secure installation saving time and money
- Available as stand-alone or fully-integrated EasyKit

Features

- Heavy-duty, Grade 1 exit device stands up to extreme high traffic conditions
- 100dB alarm demands attention, even in noisy environments, helping prevent unauthorized exits
- Wall mounted remote interface module with red/green LEDs provide visual arming indication
- Automatic rearm occurs after authorized entry and exit
- Can be reset by key and/or Access Control
- Through-wire hinge or power transfer compatible
- Available in various finishes and with assorted trims to fit any application or décor

Mechanical Options

- FC - Flex Conduit and End Cap (ex. 10xEExERxFC)
- MC65 - Factory Installed Mortise Cylinder
- AL18 - Surface Armored Loop (Door/Frame Mounted)
- KS - Key Stop, key removed only when armed
- Optional Cylinder Nut Wrench P/N: 103779
- Foreign Language Signs Available - Contact Factory



Electrical Options

- 30 - 30 second delayed egress prior approval letter from Authority Having Jurisdiction required
- LX - Latch Bolt Monitor / Latch Secure Switch
- RKO - Reset by Key Only (Reset with key/Access Control Std.)
- SA - Silent Arming
- LN - Less Nuisance Alarm

Technical Information

EExER Panic Device:

- Logic and power requirements supplied by 84-800 Logic Controller and Power Supply designed for single door application (required and sold separately)
- 84-800 amp draws at 1.2 Amps @ 24 VDC
- 85-800 Logic Controller and Power Supply designed for double door applications (required and sold separately)
- 85-800 amp draws at 2.5 Amps @ 24 VDC

- Fire alarm input - Requires a closed contact (when powered) of a locally approved fire alarm system

Remote Interface Module: (provided with Logic Controller)

- Wall mounted
- Dummy cylinder included
- May also be used with 5, 6 or 7-pin standard and interchangeable core cylinder
- Available in Surface or Flush mount
- Available in Gray or Black Finish

84-800 / 85-800 Logic Controller and Power Supply

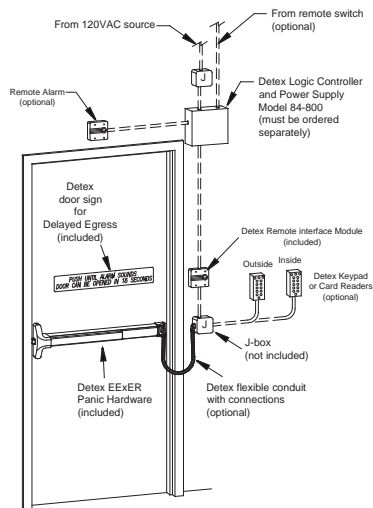
- Remote bypass output - .5A@24VAC/VDC Max.
- Remote bypass input
- Silent arming/rearming optional

*See Detex website for 84-800 and 85-800 How to Order

Device Finishes

605 / US3	Polished Brass	628 / US28	Aluminum Satin	693 / SPBLK	Black, Painted
606 / US4	Brushed Brass	629 / US32	Polished Stainless Steel	695 / SP 313	Dark Bronze, Painted
611 / US9	Polished Bronze				
612 / US10	Brushed Bronze	630 / US32D	Brushed Stainless Steel		
613 / US10B	Oil Rubbed Bronze				

Riser Diagram



Listings and Approvals

See individual device (i.e. 10 Series) catalog page for listings and approvals

Detex Limited Warranty

10 Year Mechanical/3 Year Electrical Limited Manufacturer's Warranty

Where Trust is Built™
DETEx®
Life Safety and Security Door Hardware

Detex Corporation
 302 Detex Drive
 New Braunfels, Texas 78130-3045 USA
 PH. (830) 629-2900
 (800) 729-3839
 FAX (800) 653-3839
<http://www.detex.com>
 USA Sales:
marketing@detex.com
 International Sales:
export@detex.com



Electric Integration (EI)

The Electric Integration device, designed for applications where electric integration is required, provides the customer with a means of integration to new or existing systems, including the Detex Series 800 Logic Controller. The customer may select from these components to integrate and create different functions from the single product package. This variety of components offers an alarm to sound, monitor the latch bolt position and/or pushpad when depressed, signals a remote panel by key switch operation when activated from inside or outside authorization, and offers 2 LED's to enhance required functions. The operation of switches will open or close (SPDT) to integrate with digital video recorders, remote alarms, strobe lights, or commence the cycle in a separate delayed egress system.



Available with 10/40 Rim and 30 Mortise Devices

Benefits

- Fast and easy installation
- Multiple switching choices for ease-of-use
- Durable electronics provide years of trouble free service, saving on replacement costs
- Controls foot traffic, deters unauthorized exits, prevents loss and meets building code requirements
- Integrate with logic controllers, power supplies and most security equipment, to provide reliable, integrated loss prevention protection

Features

- State-of-the-art electronics for reliable instantaneous switch activation
- Mortise cylinder key switch output (Form C)
- Simple "plug-in" header type terminal strip located near end-cap for easy installation
- Tamper resistant switching monitors dead latch and outside trim input
- Cylinder dogging (Std.) except with fire rated devices
- Dual LED visual arming indicators (one red, one green)
- 100dB Piezo Alarm
- Pushpad/Latch bolt position switch outputs
- All switching capable of handling 12 or 24 Volts AC or DC
- Authorized access switch output
- (3) Standard SPDT (Form C) switches
- Code-compliant door sign (English)

Mechanical Options

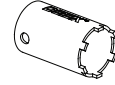
- LD - Less Dogging
- H - Hurricane Rated
- F - 3-Hour Fire Rated
- KS - Key Stop - key removed only when armed

Electrical Options

- 10-800 or 11-800 Logic Controller and Power Supply for Electric Integration (required but not included)

Accessories

- FC - Flex Conduit and End Cap Fitting
- MC65 - Pre-installed Mortise Cylinder
- IC7 - Pre-installed Interchangeable Core Cylinder
- SSK - Security Torx Screws
- SN1 - Sex Nuts
- AL18 - Surface Armored Loop (door/frame mount)
- PT5 - Power Transfer
- EWH8-626 - Electric Wire Hinge
- Optional Cylinder Nut Wrench P/N: 103779
- Foreign Language Signs available



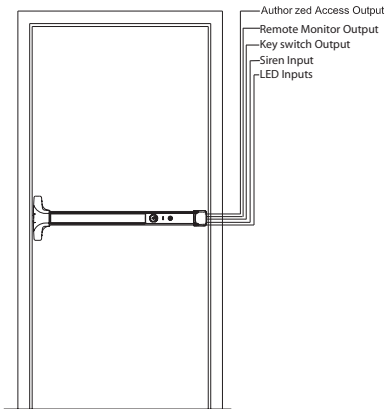
Technical Information

- Detachable plug-in terminal strip
- Switch jumpers for NO/NC contacts
- Machine and self-drilling screws (Std.)
- Through-wire hinge or power transfer compatible

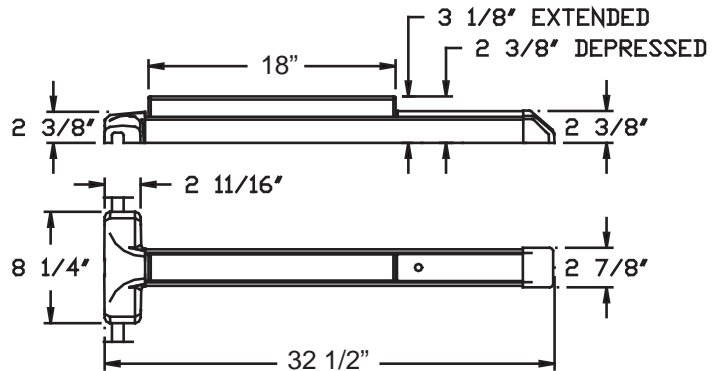
Device Finishes

605 / US3	Polished Brass	628 / US28	Aluminum Satin	693 / SPBLK	Black, Painted
606 / US4	Brushed Brass	629 / US32	Polished Stainless Steel	695 / SP 313	Dark Bronze, Painted
611 / US9	Polished Bronze				
612 / US10	Brushed Bronze	630 / US32D	Brushed Stainless Steel		
613 / US10B	Oil Rubbed Bronze				

Riser Diagram



Dimensions



Listings and Approvals

See individual device (i.e. 10 Series) catalog page for listings and approvals

Detex Limited Warranty

10 Year Mechanical/3 Year Electrical Limited Manufacturer's Warranty

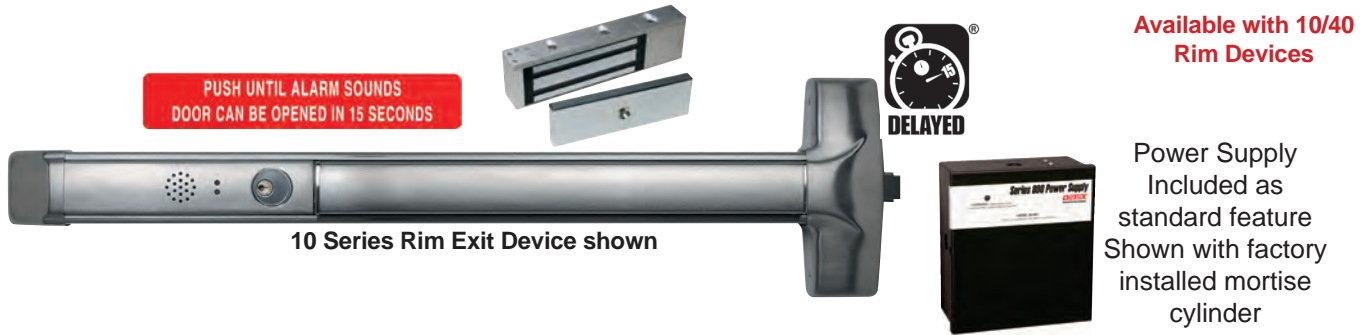


Detex Corporation
 302 Detex Drive
 New Braunfels, Texas 78130-3045 USA
 PH. (830) 629-2900
 (800) 729-3839
 FAX (800) 653-3839
<http://www.detex.com>
 USA Sales:
marketing@detex.com
 International Sales:
export@detex.com



Delayed Egress with Magnetic Locking (EM)

The Delayed Egress Magnetic Locking (EM) option provides a secure 2-point locking device with 15-second delay and a 100dB alarm when someone attempts to exit. This 15-second delay allows time for management to respond to the alarm before someone exits and the alarm deters the exit from occurring. Per life safety requirements, the EM must be provided with a fire alarm input, thus providing a system override during a fire emergency. The EM provides security while meeting all life safety concerns, offering an exceptional value.



TO BE DISCONTINUED 2016 - SEE EE OPTION

Benefits

- Fast and easy installation
- Durable design provides years of trouble-free protection
- Controls foot traffic, deters unauthorized exits, prevents loss and meets code requirements
- 2-point locking provides tandem-holding force of latch bolt (1400 lb) and electromagnetic lock (1500 lb)
- Reduces employee and customer theft
- Fits almost any door in any décor
- One cylinder provides arming, disarming and dogging

Features

- Powered by a 24VDC filtered and regulated power supply
- Heavy-duty angled end-cap
- 9V battery provides alarm function only in case of power failure
- Panic Device and power supply have passed testing for electrostatic discharge (ESD) by an independent testing laboratory
- Heavy-duty ribbed aluminum rail extrusion
- Armed and disarmed field selectable status indicator
- Power supply delivers a constant 24VDC of filtered and regulated voltage at a rated load of 1A, including ripple rejection and transient noise suppression circuitry
- Accommodates all types of mortise cylinders with a standard Yale cam
- Delayed arming allows arming after door closes
- Remote signal output and remote bypass input standard
- Alarm triggered by latch bolt or pushpad movement
- Stainless steel, 3/4" deadlocking Pullman-type latch bolt
- Patented mounting plate and strike locator system provide perfect alignment with door and frame
- Remote signal output and remote bypass input standard
- Fire alarm input can be connected at power supply or panic bar
- Non-handed, field sizeable
- Single mortise cylinder provides arming and dogging - can be factory installed
- Includes delayed egress panic bar, 24VDC filtered and regulated power supply, 1500 lb electromagnetic lock and door sign
- 100dB alarm
- State-of-the-art electronics offer reliable security and instantaneous alarm
- Visual and audible arming indicators
- 1/8 turn cylinder dogging

Mechanical Options

- MC65 - Factory Installed Mortise cylinder
- CD - Cylinder Dogging (Std.)
- 99 - Surface Strike (Std.)
- IC7 - Factory Installed IC Housing
- LD - Less Dogging
- 98 - Semi Mortise Strike
- FC - Flex Conduit and End Cap
- KS - Key Stop (Key removed only when armed)
- F - 3-Hour Fire Rated
- 36" Door Width (Std.)
- H - Hurricane Rated
- 48" Door Width



Electrical Options

- 30 Second Delayed Egress (must have letter from AHJ)
- AL18 - Surface Armored Loop (Door/Frame mounted)
- PT5 - Power Transfer

Accessories

- SN1 - Sex Nut fasteners
- Outside trim options (See Advantex Trim Options)
- Foreign Language Signs available Contact Factory

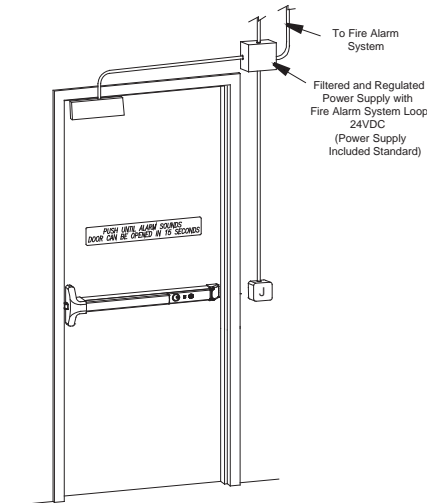
Technical Information

- Door Types - Wood, Hollow Metal, Fiberglass or Aluminum
- Door Stile - See applicable device page
- Machine and Self-Drilling fasteners (Std.)
- Door Thickness - Fits standard 1 3/4" - 2 1/4"
- Optional Sex Nuts or Security Torx Screws available

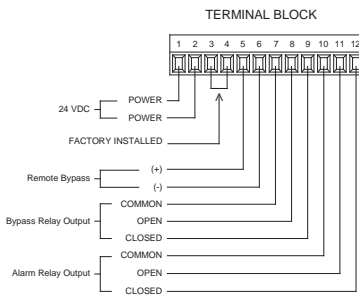
Device Finishes

605 / US3	Polished Brass	628 / US28	Aluminum Satin	693 / SPBLK	Black, Painted
606 / US4	Brushed Brass	629 / US32	Polished Stainless Steel	695 / SP 313	Dark Bronze, Painted
611 / US9	Polished Bronze				
612 / US10	Brushed Bronze	630 / US32D	Brushed Stainless Steel		
613 / US10B	Oil Rubbed Bronze				

Riser Diagram



Terminal Block



Listings and Approvals

See individual device (i.e. 10 Series) catalog page for listings and approvals

Detex Limited Warranty

10 Year Mechanical/3 Year Electrical Limited Manufacturer's Warranty

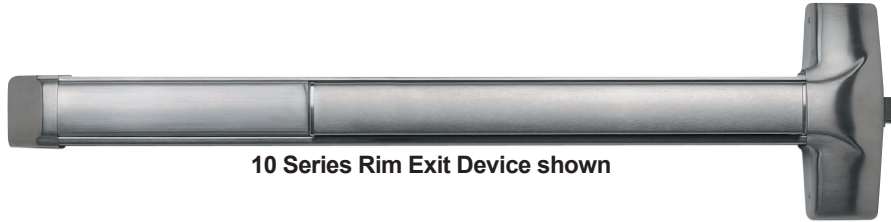
Where Trust is Built™
DETEX®
Life Safety and Security Door Hardware

Detex Corporation
 302 Detex Drive
 New Braunfels, Texas 78130-3045 USA
 PH. (830) 629-2900
 (800) 729-3839
 FAX (800) 653-3839
<http://www.detex.com>
 USA Sales:
marketing@detex.com
 International Sales:
export@detex.com



Electric Latch Retraction (ER)

The Electric Latch Retraction (ER) function is designed for entrance and exit doors with panic or fire exit hardware where remote unlocking, remote dogging, access control or automatic door operator is desired. An optional EX switch may be added for pushpad monitoring.



10 Series Rim Exit Device shown

Available with 10/40 Rim, 30 Mortise, 20/21/50/51 Surface Vertical Rod Devices and 60/61/62/63/70/71/80/81/82/83 Concealed Vertical Rod Devices

Benefits

- Works with any type of access control system
- Simultaneous pushpad and latch bolt retraction provides smooth surface with no catch points
- Provides a means for remote dogging and lock-down
- Fast and easy installation

Features

- Low voltage with no high current in-rush
- Momentary or maintained latch and pushpad retraction
- Long term dogging capability
- Continuous duty motor for quiet operation - no solenoid
- Simultaneous latch and pushpad retraction

Mechanical Options

- FC - Flex Conduit and End Cap
- AL18 - Surface Armored Loop (door/frame mounted)
- PT5 - Power Transfer

Electrical Options

- Latch Retraction power supplies are required and sold separately
- 81-800 - Power Supply for single door
- 82-800 - Power Supply for pair of doors
- 83-800 - Power Supply for two independent doors
- EX Exit Switch - Pushpad monitor switch
- LX - Latch bolt monitor / Latch Secure Switch

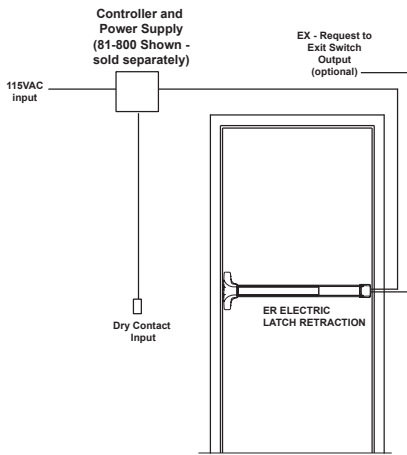
Technical Information

- Voltage 24VDC
- Wire Run Lengths
150 foot, 16AWG
- 1A to retract pushpad and latch
- 0.18A to hold pushpad and latch retracted
- 1A power supply - 24VDC Filtered and Regulated Power Supply
1 ER Device
2 ER Devices if devices are staggered by 300mSec
- 2A power supply - 24VDC Filtered and Regulated Power Supply
2 ER Devices
4 ER Devices if devices are staggered by 300mSec

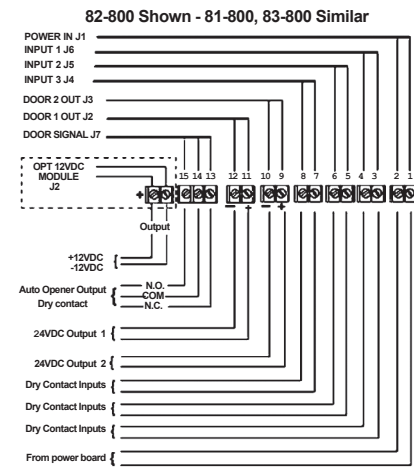
Device Finishes

605 / US3 Polished Brass	628 / US28 Aluminum Satin	693 / SPBLK Black, Painted
606 / US4 Brushed Brass	629 / US32 Polished Stainless Steel	695 / SP 313 Dark Bronze, Painted
611 / US9 Polished Bronze	630 / US32D Brushed Stainless Steel	
612 / US10 Brushed Bronze		
613 / US10B Oil Rubbed Bronze		

Riser Diagram



Riser Diagram



Listings and Approvals

See individual device (i.e. 10 Series) catalog page for listings and approvals

Detex Limited Warranty

10 Year Mechanical/3 Year Electrical Limited Manufacturer's Warranty



Detex Corporation
 302 Detex Drive
 New Braunfels, Texas 78130-3045 USA
 PH. (830) 629-2900
 (800) 729-3839
 FAX (800) 653-3839
<http://www.detex.com>
 USA Sales:
marketing@detex.com
 International Sales:
export@detex.com



Weatherized Electric Latch Retraction (ERxW)

The Weatherized Electric Latch Retraction (ERxW) function is designed for entrance and exit doors with panic or fire exit hardware exposed to weather environments where remote unlocking, remote dogging, or access control is desired. The ERxW is listed as a UL panic and fire exit hardware device and conforms to UL 1034-34 Temperature Section 34, UL 1034-54 Dust Section 54, MIL-STD 810F, Method 509.4 (salt fog test), MIL-STD 810F, Method 506.4 (driving rain test) and UBC standard 7-2 (positive pressure). Power supply and controller must be installed in a NEMA 4X enclosure or located in a controlled, moisture-free environment.



10 Series Rim Exit Device shown

Available with 10/40 Rim and 20/21/50/51 Surface Vertical Rod Device



Benefits

- Works with any type of access control system
- Fast and easy installation saves time and money
- Simultaneous pushpad and latch bolt retraction provides smooth surface with no catch points
- Provides a means for remote dogging and lock-down for added security in lockdown situations

Features

- Low voltage with no high current in-rush
- Continuous duty motor for quiet operation - no loud solenoid
- Coated materials allow use in weatherized environments
- Momentary or maintained latch and pushpad retraction
- Simultaneous latch and pushpad retraction
- Long term dogging capability
- Weatherized switches

Mechanical Options

- Weatherized Flex Conduit
- EXxW Switch - Pushpad Monitor Switch

Electrical Options

- Latch Retraction power supplies are required and sold separately
- 81-800 - Power Supply for single door
- 82-800 - Power Supply for pair of doors
- 83-800 - Power Supply for two independent doors

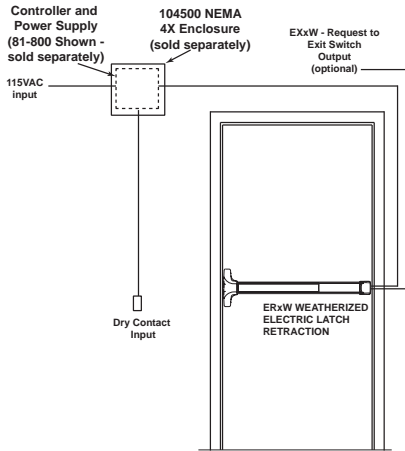
Technical Information

- Voltage 24VDC
- 2 Amps to retract pushpad and latch
- 200mA to hold pushpad and latch retracted

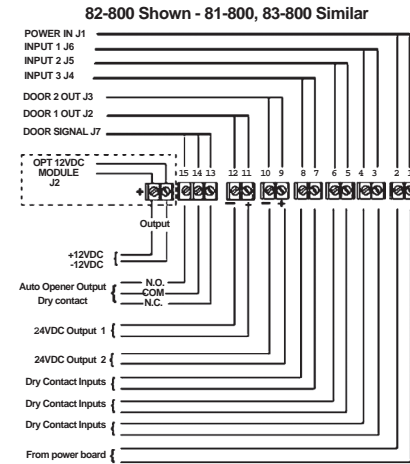
Device Finishes

605 / US3	Polished Brass	628 / US28	Aluminum Satin	693 / SPBLK	Black, Painted
606 / US4	Brushed Brass	629 / US32	Polished Stainless Steel	695 / SP 313	Dark Bronze, Painted
611 / US9	Polished Bronze				
612 / US10	Brushed Bronze	630 / US32D	Brushed Stainless Steel		
613 / US10B	Oil Rubbed Bronze				

Riser Diagram



Riser Diagram



Listings and Approvals

See individual device (i.e. 10 Series) catalog page for listings and approvals

Detex Limited Warranty

10 Year Mechanical/3 Year Electrical Limited Manufacturer's Warranty



Detex Corporation
302 Detex Drive
New Braunfels, Texas 78130-3045 USA
PH. (830) 629-2900
(800) 729-3839
FAX (800) 653-3839
<http://www.detex.com>
USA Sales:
marketing@detex.com
International Sales:
export@detex.com

Switching & Signaling Options

ES - Electric Switching

The Electric Switching (ES) option includes two switches; one to monitor the latch bolt position and the other to monitor mechanical access from the exterior. It is designed for doors that require a means of indicating when the latch bolt is retracted while providing an alarm inhibit when using key entry. Always used in conjunction with other security systems, the Advantex ES function provides either normally closed or normally open (field selectable) contacts that can provide a signal to a variety of different components such as remote alarm or a central station.

Available with 10/40 Series Rim Exit Devices

EX - Request to Exit

The Request to Exit (EX) signaling option is used on exit doors with panic or fire exit hardware. This option indicates when the pushpad is depressed sending a signal to an alarm or sends a remote signal to monitor egress conditions.

Available with 10/40 Series Rim, 30 Series Mortise, 20/21/50/51 Series Surface Vertical Rod and 60/61/62/63/70/71/80/81/82/83 Series Concealed Vertical Rod Devices

EXxW - Weatherized Request to Exit



For use on doors or gates that require a means of signaling when someone depresses the pushpad on the panic device during egress in a moist, outdoor or other such application.

Always used in conjunction with other security items, the EXxW provides a normally closed or normally open contact signal to a logic controller. The controller will turn on a remote horn or strobe, control a magnetic lock during egress or initiate a delayed egress system. The EXxW is UL listed as panic and fire exit hardware as well as UBC standard 7-2 (positive pressure).

The EXxW meets the following standards: Mil 810F(G), 509.4 - Salt Fog, Mil 810F(G), 506.4 - Driving Rain Procedure 1, UL1034-34 Temperature Section 34 [Temperature Range -31° F (-35° C) to 151° F (+66° C)], and UL-1034-54 Dust Section 543.

Available with 10/40 Series Rim, 30 Series Mortise and 20/21/50/51 Series Surface Vertical Rod Devices.

EXV - Request to Exit High Current / Voltage

The Request to Exit High Current switching option, can be used to control power to a device that requires higher current up to 2.0 amperes; such as an electro-magnetic lock, electric strike or motor.

Available with 10/40 Series Rim, 30 Series Mortise, 20/21/50/51 Series Surface Vertical Rod and 60/61/62/63/70/71/80/81/82/83 Series Concealed Vertical Rod Devices

EXVxW - Weatherized Request to Exit High Current / Voltage



The EXVxW meets the following standards: Mil 810F(G), 509.4 - Salt Fog, Mil 810F(G), 506.4 - Driving Rain Procedure 1, UL1034-34 Temperature Section 34 [Temperature Range -31° F (-35° C) to 151° F (+66° C)], and UL-1034-54 Dust Section 54. Available with 10/40 Series Rim, 30 Series Mortise, and 20/21/50/51 Series Surface Vertical Rod Devices.

LX - Latch Bolt Monitor

The Latch Bolt Monitor (LX) offers an internally mounted signal switch that monitors the position of the latch bolt. When used in conjunction with a door position switch, the Advantex Latch Bolt Monitor Switch (LX) can be used to insure a door is secure, signal when a door is opened and closed or send an alert when someone attempts to tamper with the latch bolt. Common uses would include signalling a security guard or nurses station. When an Advantex device is used on an opening with an automatic operator the LX can signal when the latch is retracted before the operator opens the door.

Available with 10/40 Series Rim Exit Devices

The **LX(V)** can be combined with the optional Advantex ER, electric latch retraction, as well as many electrified options including, EA, ED, EE, EExER, EX, EXV, AND EXxW.

Available with 10/40 Series Rim Exit Devices



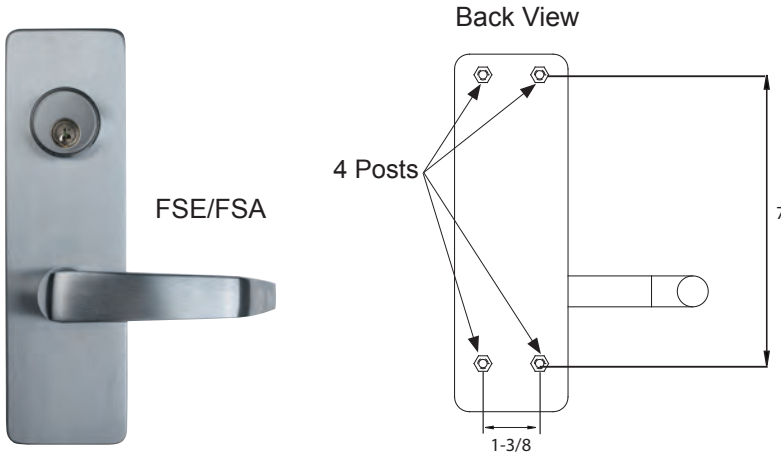
Detex Corporation
302 Detex Drive
New Braunfels, Texas 78130-3045 USA
PH. (830) 629-2900
(800) 729-3839
FAX (800) 653-3839
<http://www.detex.com>
USA Sales:
marketing@detex.com
International Sales:
export@detex.com



EU, EUV or EUxDM

ELECTRIC UNLOCK TRIM

Provides remote means of locking or unlocking a door for authorized entry, access control, security or safety needs when used in conjunction with any Detex wide stile rim (10 Series), surface vertical rod (20 Series), mortise (30 Series - specify EUxDM) or concealed vertical rod (70/71, 80/81, 82/83 Series - specify EUV) exit device. Perfect for use on fire-rated doors, such as stairwell doors, allowing emergency entry after fire alarm activates fail safe trim. Excellent source of security for stairwell doors, elevator lobbies, or other access control systems used in installations in schools, universities, hospitals, retail, industrial, etc.



For use with 10 Series Rim, 20/21 Series Surface Vertical Rod, 30 Series Mortise, and 70/71/80/81/82/83 Series Concealed Vertical Rod Exit Devices

Benefits

- Retrofits over existing Detex lever trim
- Clutching trim limits vandalism
- Key override for emergency entrance during loss of power (FSE)

Features

- Cylinder override
- Spring loaded tailpiece
- Vandal resistant break-away type lever

Mechanical Options

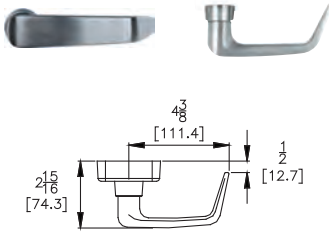
- Not Field Reversible
- EU - Comes standard as D Trim, with S style Lever and Fail Secure (FSE), for use with Detex wide stile (10 Series) Rim or (20 Series) Surface Vertical Rod Device
- EU x DT or DU - Comes with T style or U style lever, for use with Detex wide stile (10 Series) Rim or (20 Series) Surface Vertical Rod Device
- EUV - Comes standard as D Trim, with S style Lever and Fail Secure (FSE), for use with Detex wide stile (70/71, 80/81, 82/83 Series) Concealed Vertical Rod Device
- EUV x DT or DU - Comes with T style or U style lever, for use with Detex wide stile (70/71, 80/81, 82/83 Series) Concealed Vertical Rod Device
- EU x DM - Comes with S style lever, for use with Detex (30 Series) Mortise Exit Device
- EU x DMT or DMU - Comes with T style or U style lever, for use with Detex (30 Series) Mortise Exit Device
- KN - Knurling available on all levers

Electrical Options

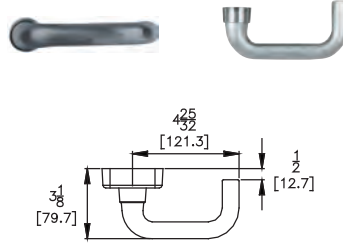
- Fail Secure (FSE) - During power failure, device will be locked (Security option) ex: EU x FSE x DU
- Fail Safe (FSA) - During power failure or fire alarm activation, the trim will always be unlocked. (Life Safety option) ex: EU x FSA x DM
- Not Field Selectable
- Not Field Selectable

Lever Options

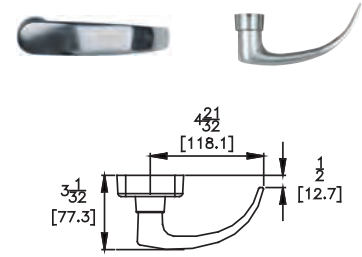
S Lever



T Lever



U Lever



Accessories

- MC65 - Mortise Cylinder
- IC7 - 7-pin Mortise Cylinder Housing (Core not included)
- 80-800 - 24 VDC power supply with battery charging circuit
- 90-800 - 24 VDC power supply without battery charging circuit
- CCL - Long cylinder collar (11/16")
- SE-2 - Shaft extension for 2 to 2 1/2" thick doors

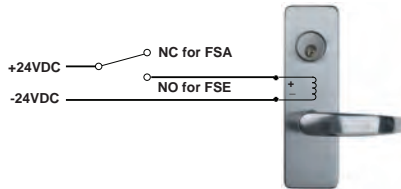
Finishes

605 / US3	Polished Brass	612 / US10	Brushed Bronze	629 / US32	Polished Stainless Steel
606 / US4	Brushed Brass	613 / US10B	Oil Rubbed Bronze	630 / US32D	Brushed Stainless Steel
611 / US9	Polished Bronze				

Technical Information

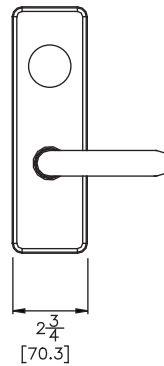
- 24VDC / 150ma continuous duty
- 12VDC / 310ma continuous duty

Wiring Diagram

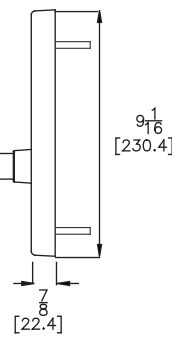


Dimensions

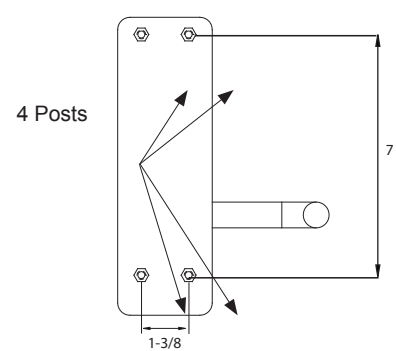
Front View



Side View



Back View



* See Detex website for EU How To Order

Listings and Approvals

UL1034-34 Temperature Section 34
[Temperature Range -31°F (-35° C) to 150° F (+66° C)]

UL1034-54 Dust Section 54

MIL-STD 810F (G), Method 509.4
(Salt Fog Test)

MIL-STD 810F (G), Method 506.4
(Driving Rain), Procedure 1

Detex Limited Warranty

10 Year Mechanical/3 Year Electrical
Limited Manufacturer's Warranty

Where Trust is Built™
DETEX®
Life Safety and Security Door Hardware

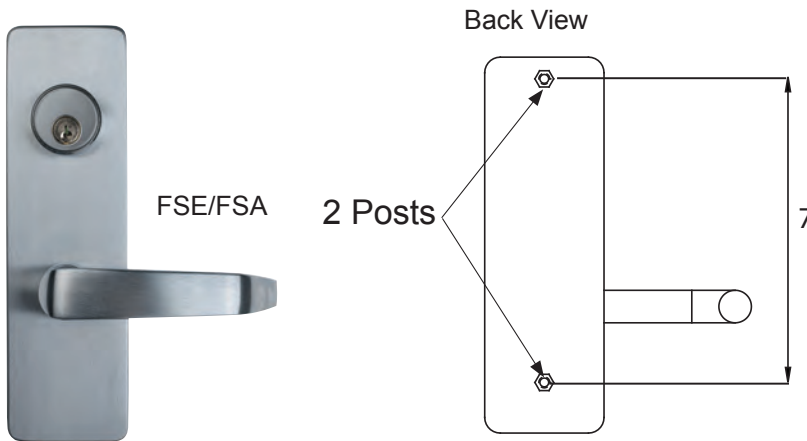
Detex Corporation
302 Detex Drive
New Braunfels, Texas 78130-3045 USA
PH. (830) 629-2900
(800) 729-3839
FAX (800) 653-3839
<http://www.detex.com>
USA Sales:
marketing@detex.com
International Sales:
export@detex.com



EU2W

ELECTRIC UNLOCK TRIM

Provides remote means of locking or unlocking a door for authorized entry, access control, security or safety needs when used in conjunction with any Detex 40/V40 Series rim or 50/51/V50/V51 Series surface vertical rod exit device on doors with a minimum stile width of 4". Perfect for use on fire-rated doors, such as stairwell doors, allowing emergency entry after fire alarm activates fail safe trim. Excellent source of security for access control systems used in installations in schools, universities, hospitals, retail, industrial, etc.



For use ONLY on wide stile glass doors and hollow metal doors

For use with 40/V40 Series Rim, and 50/51/V50/V51 Series Surface Vertical Rod Exit Devices

Benefits

- Clutching trim limits vandalism
- Key override for emergency entrance during loss of power (FSE)

Features

- Cylinder override
- Spring loaded tailpiece
- Vandal resistant break-away type lever

Mechanical Options

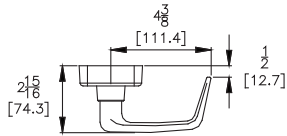
- Not Field Reversible
- EU2W - Comes standard as D Trim, with S style Lever and Fail Secure (FSE), for use with Detex 40/V40 Series Rim or 50/51/V50/V51 Series Surface Vertical Rod Device
- EU2W x DT or DU - Comes with T style or U style lever, for use with Detex 40/V40 Series Rim or 50/51/V50/V51 Series Surface Vertical Rod Device
- KN - Knurling available on all levers

Electrical Options

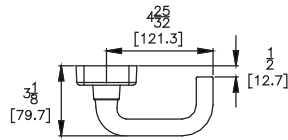
- Fail Secure (FSE) - During power failure, device will be locked (Security option) ex: EU x FSE
- Fail Safe (FSA) - During power failure or fire alarm activation, the trim will always be unlocked. (Life Safety option) ex: EU x FSA
- Not Field Selectable
- Not Field Selectable

Lever Options

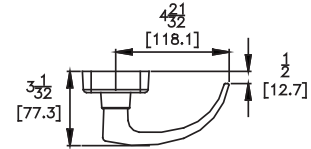
S Lever



T Lever



U Lever



Accessories

- MC65 - Mortise Cylinder
- IC7 - 7-pin Mortise Cylinder Housing (Core not included)
- 80-800 - 24 VDC power supply with battery charging circuit
- 90-800 - 24 VDC power supply without battery charging circuit
- CCL - Long cylinder collar (11/16")
- SE-2 - Shaft extension for 2 to 2 1/2" thick doors

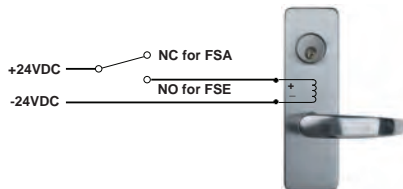
Finishes

605 / US3	Polished Brass	612 / US10	Brushed Bronze	629 / US32	Polished Stainless Steel
606 / US4	Brushed Brass	613 / US10B	Oil Rubbed Bronze	630 / US32D	Brushed Stainless Steel
611 / US9	Polished Bronze				

Technical Information

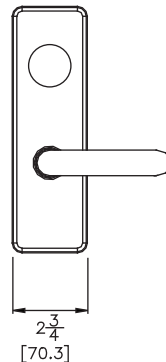
- 24VDC / 150ma continuous duty
- 12VDC / 310ma continuous duty

Wiring Diagram

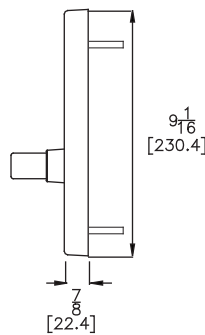


Dimensions

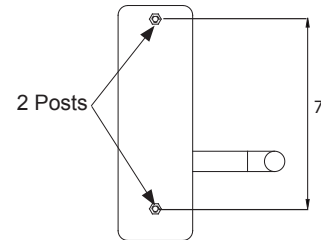
Front View



Side View



Back View



* See Detex website for EU How To Order

Listings and Approvals

UL1034-34 Temperature Section 34
[Temperature Range -31°F (-35° C) to 150° F (+66° C)]

UL1034-54 Dust Section 54

MIL-STD 810F (G), Method 509.4
(Salt Fog Test)

MIL-STD 810F (G), Method 506.4
(Driving Rain), Procedure 1

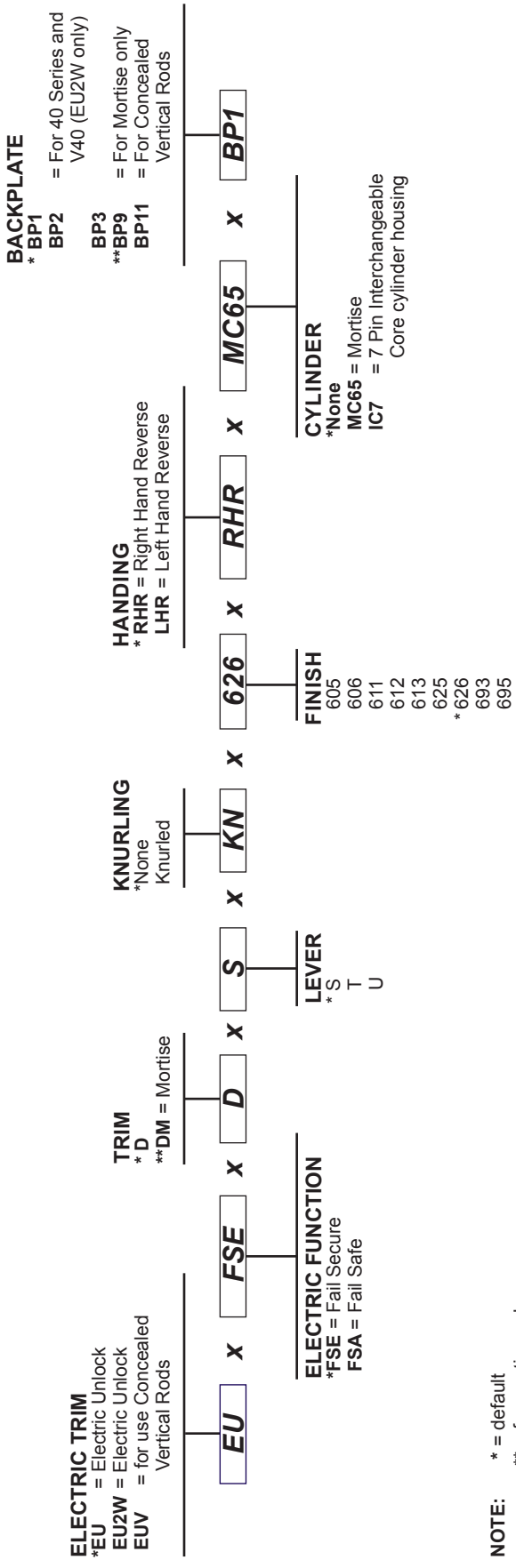
Detex Limited Warranty

10 Year Mechanical/3 Year Electrical
Limited Manufacturer's Warranty

Where Trust is Built™
DETEX®
Life Safety and Security Door Hardware

Detex Corporation
302 Detex Drive
New Braunfels, Texas 78130-3045 USA
PH. (830) 629-2900
(800) 729-3839
FAX (800) 653-3839
<http://www.detex.com>
USA Sales:
marketing@detex.com
International Sales:
export@detex.com

Electric Unlock (EU) HOW TO ORDER

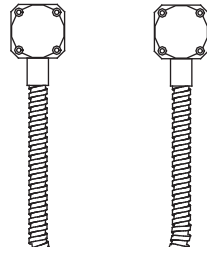


NOTE:
 * = default
 ** = for mortise only

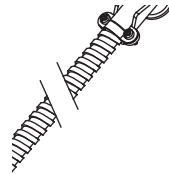
Examples: 10EU (includes - 10 Series, 08 trim function, D type trim, S lever, Fail Secure, 626 finish, RHR)
 10EU x FSA (includes - 10 Series, 09 trim function, D type trim, S lever, Fail Safe, 626 finish, RHR)
 30EU x FSA x DMT x 605 x LHR (includes - 30 Series, 09 trim function, DM type trim, T lever, Fail Safe, 605 finish, LHR)
 V40EU2W x MC65 (includes V40 Series, 08 trim function, D type trim, S lever, Fail Secure, MC65, 626 finish, RHR)

Surface Mounted Wiring Options

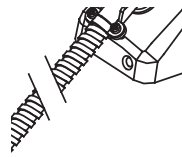
AL18 Armored Loop with billet aluminum end. 18" long



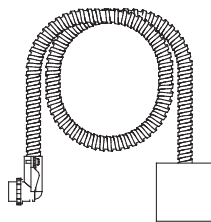
FC As a suffix when ordered with device, it provides 36" flex conduit without wires and with standard conduit connector



FCA Ordered separately from device, it provides 36" flex conduit without wires and with standard conduit connectors and modified device end-cap



JB1 Junction Box and 9' cable for use with magnetic lock on EM device



PT5 Power Transfer



Door Signs

EA-561 Adhesive Back "Emergency Exit Only - Alarm Will Sound"

ECL-365 Adhesive Back "Keep Pushing Door Will Open in 15 Seconds"

Magnetic Locks & Accessories

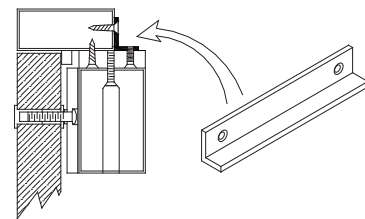
ML-1548 - Magnetic Lock

- 1,500 pounds holding force
- 12/24 VDC field selectable
- Easy installation features convenient plug-in wiring terminals and wire access cover
- Adjustable mounting bracket
- Surge protection
- No residual magnetism
- U.L. Listed

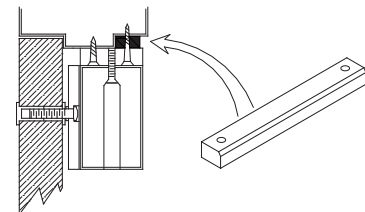


Specify: ML-1548-628 - Anodized Clear Aluminum

ML-1548-711 - Anodized Black Aluminum



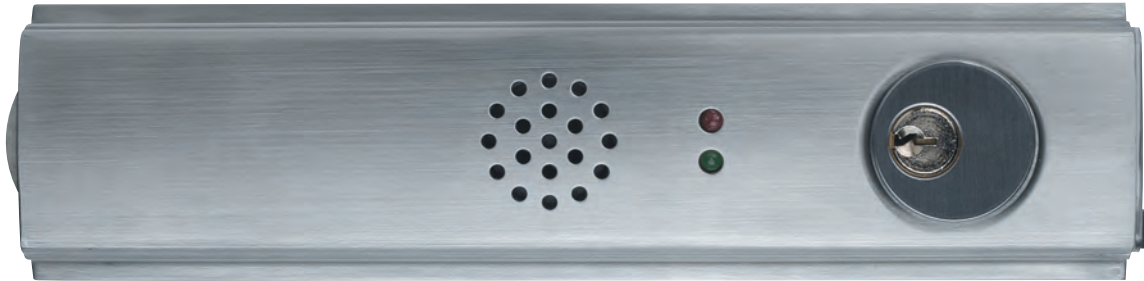
AB02 Angle Bracket - Provides easy mounting of ML-1548 to narrow frame reveal



Filler Brackets for gap caused by frame stop conditions.

FB02 3/8" x 3/4" filler bracket

FB04 5/8" x 3/4" filler bracket



List of Accessories

Strikes

Through Bolt Mounting Plate

Cylinders

Cylinder Collars

Cylinder Bracket Kit

Sex Nut Kits

Security Screw Kits

Glass Bead Kits

Tools

Slide-In Filler Kits

ER Retrofit Kit

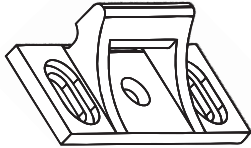
Dummy Exit Device



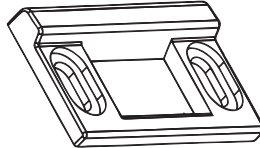
Accessories

Strikes

All required strikes are provided with exit devices. Replacement strikes are available as follows:



99 Surface - non-roller strike for 10/40 Series Rim Devices



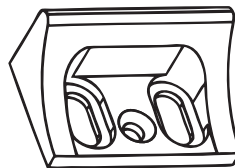
98 Semi-Mortise - applied strike for 10/40 Series Rim Devices



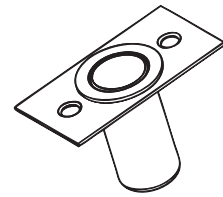
94 Double Door Strike - for 10/40 Series Rim Devices



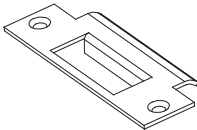
97 Top Surface - non-roller top strike for 20/21 Series Surface Vertical Rod Devices



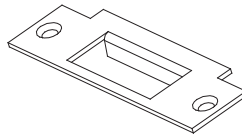
96 Top Surface - non-roller top strike for 50/51 Series Surface Vertical Rod Devices



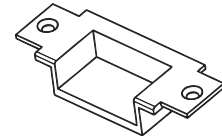
96/97 Bottom Dust Proof Strike - for 20 Series (97 Bottom) or 50 Series (96 Bottom) Surface Vertical Rod Devices



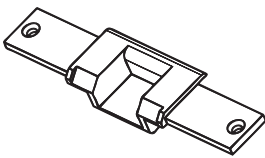
90 Standard ANSI Strike - for 30 Series Mortise Device



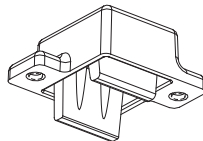
91 ANSI Flat Lip Strike - for 30 Series Mortise Device



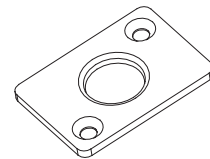
92 Double Door Strike with short open back - for 30 Series Mortise device



93 Double Door Strike with long open back - for 30 Series Mortise Device

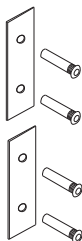


95T Top Strike - for 60/61/62/63/70/71/80/81/82/83 Series Concealed Vertical Rod Devices



95B Bottom Strike - for 60/62/70/80/82 Series Concealed Vertical Rod Devices

Through Bolt Mounting Plate Kit for SVR



TMP2 shown

TMP1 (Top Rod Only) / TMP2 (Top and Bottom Rod) - Through Bolt Mounting Plate Kit for use when replacing surface vertical rods on doors that are damaged or to cover existing exterior holes from previous device.

Kit is standard with two 630 finish plates and four 1/4-20 sex bolts. Contact factory for other finishes.

Cylinders



MC65 Mortise Cylinder - 1-1/8" 6-pin, keyed 5-pin. Available keyed alike or keyed differently. Finishes available: 605, 606, 612, 613, 626



RC65 Rim Cylinder - 6-pin, keyed 5-pin. Available keyed alike or keyed differently. Finishes available: 605, 606, 612, 613, 626



IC7 Interchangeable core cylinder housing - 7-pin, factory installed

Cylinder Collars

Cylinder Collars for 5 and 6 pin cylinders are provided with all outside trim.

CCS 7/16" Short Cylinder Collar - Cylinder collar for 5 and 6 pin cylinders. Finishes available: 605, 606, 612, 613, 626



CCL 11/16" Long Cylinder Collar - Cylinder collar for 7 pin interchangeable core cylinders. Finishes available: 605, 606, 612, 613, 626

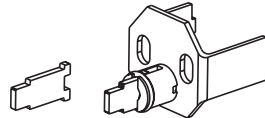


Glass Bead Kits

For use on doors with raised glass beads. Each kit contains one 1/4" shim set. Specify Kit number

Kit Number	For use with:
GB1	10 Series
GB2	40 Series
GB3	20 Series - 7 foot
GB4	21 Series - 7 foot
GB5	50 Series - 7 foot
GB6	51 Series - 7 foot
GB7	20 Series - 8 foot
GB8	21 Series - 8 foot

Cylinder Bracket Kit



CBK - Cylinder Bracket Kit consists of bracket and adjustable tailpiece assembly for rim cylinder used with other manufacturer's outside trim

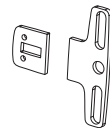
03CAK - Cylinder Bracket Kit (for 60 Series Only) consists of bracket and adjustable tailpiece assembly for rim cylinder used with other manufacturer's outside trim

Security Screw Kits

Contains an assortment of screw sizes and types for securing covers in place

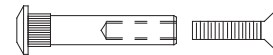
SSK1 - Security Screw Kit for rim exit device. Includes driver tip. Stainless Steel only

SSK2 - Security Screw Kit for SVR exit device. Includes driver tip. Stainless steel only



Kit Number	For use with:
GB9	50 Series - 8 foot
GB10	51 Series - 8 foot
GB11	20 Series - 10 foot
GB12	21 Series - 10 foot
GB13	50 Series - 10 foot
GB14	51 Series - 10 foot
GB15	V40 Series
GB16	30 Series

Sex Nut Kit



SN1 - Sex Nut Kit 1/4-20 — 2 per package

SN2 - Sex Nut Kit 10-32 — 2 per package

Tools



HDK - Hex Dogging Key - Heavy-duty with over molded ABS, dogging key is ergonomically designed to resist repetitive motion injuries.

Driver Tip for Security Screw:

TT10 - 6-32 Undercut FH Screws

TT15 - 8-32 FH Screws

TT25 - 10-32 FH Screws

TT27 - 1/4-20 and #14 Screws

Where Trust is Built™

DETEX®

Life Safety and Security Door Hardware

Detex Corporation
302 Detex Drive
New Braunfels, Texas 78130-3045 USA

PH. (830) 629-2900

(800) 729-3839

FAX (830) 620-6711

(800) 653-3839

http://www.detex.com

USA Sales:

marketing@detex.com

International Sales:

export@detex.com

Accessories

Slide-In Filler Kits

Slide-In Filler Kits allow change or addition to the device after initial installation. Specify device series (10, 20, 21, 30, 40, 50, 51, 60, 61, 62, 63, 70, 71, 80, 81, 82, or 83), size (36" or 48") and finish (605, 606, 611, 612, 613, 628, 629, 630, 693 or 695).

Example: 10x36x630



SIF-EA Exit Alarm - Slide-In Filler Kit provides 100 plus decibel directional piezo alarm with remote signal relay, remote bypass relay, and LED display. Optional Cylinder Dogging for non-fire rated devices. 9 volt DC and 12/24 volt AC/DC operation. Options include Key Stop feature that allows key to be removed only if unit is armed and factory installed cylinder housing for 7-pin IC cylinders.. Requires mortise cylinder with standard Yale cam (sold separate)



SIF-HD - Hex Key Dogging Slide-In Filler Kit includes dogging key with over-molded ergonomic grip



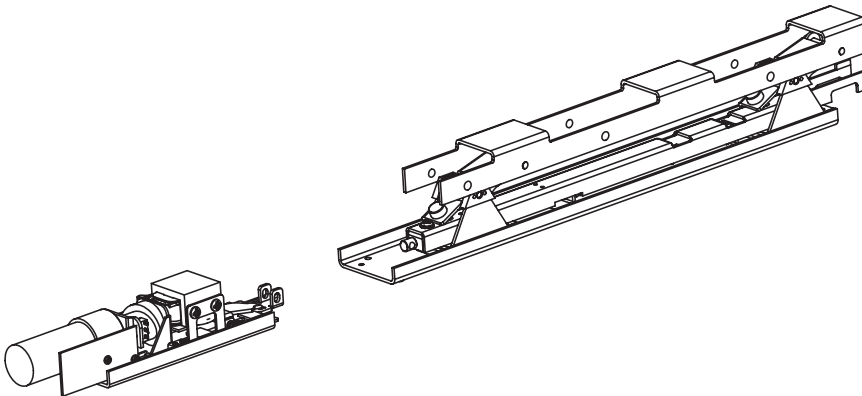
SIF-CD - Cylinder Dogging Slide-In Filler Kit requires mortise cylinder with standard Yale cam (sold separate). Optional factory installed cylinder housing for 7-pin IC cylinders.



SIF-LD - Less Dogging Slide-In Filler Kit's smooth plate eliminates dogging feature. Mandatory for all fire rated models.

ER Retrofit Kit

Converts any Advantex 10, 20, 21, 30, 40, 50 and 51 Series exit device from a simple mechanical device to the ER Electric Latch Retraction Device. The retrofit kit consists of the pushpad assembly, the ER module assembly, required hardware and complete instruction for conversions in the field. Specify 36" or 48". Requires power supply, sold separate. Call factory for more information.



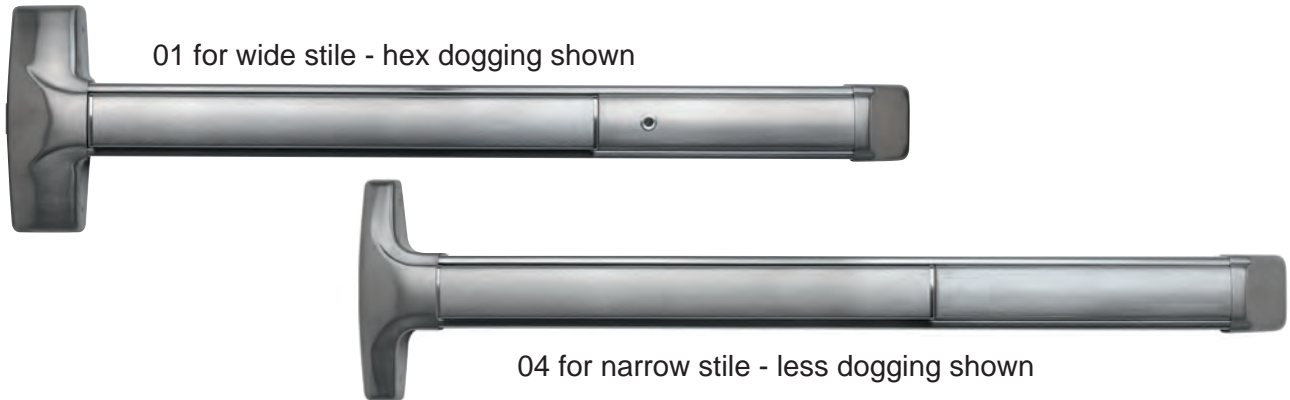
Where Trust is Built™
DETEx®
Life Safety and Security Door Hardware

Detex Corporation
302 Detex Drive
New Braunfels, Texas 78130-3045 USA
PH. (830) 629-2900
(800) 729-3839
FAX (830) 620-6711
(800) 653-3839
<http://www.detex.com>
USA Sales:
marketing@detex.com
International Sales:
export@detex.com

Dummy Rail Devices

The Advantex Series of non-locking or dummy rail devices are designed for use on all types of doors where locking is not required. Utilizing the same extruded aluminum base-plate and stainless steel wraps, these devices are able to complete your specification where non-locking interior doors are required.

01/04 Standard Dummy Device with head cover and endcap



The 01 for wide stile and 04 for narrow stile devices consists of a moving pushpad but no latch bolt. The 01 provides the look of the standard 10 exit device for wide stile doors when matching devices in a grouping is important. The 04 provides the look of the standard 40 exit device for narrow stile doors when matching devices in a grouping is important.

Mechanical Options

- | | | |
|---------------------------|------------------------------------|---|
| • HD - Hex Dogging (Std.) | • 36 - Fits 36" Door Widths (std.) | • EC1 - Ramped Endcap - Heavy duty (standard on 630, 606, 612, 613, 605, 611 & 629 finishes only) |
| • CD - Cylinder Dogging | • 48 - Fits 48" Door Widths | • EC2 - Flush Endcap (standard on 628, 693 & 695 finishes only) |
| • LD - Less Dogging | • SLR - Silencer | |

Electrical Options

- | | | |
|--|--------------------------------------|--|
| • Request to Exit (EX) | • Request to Exit Weatherized (EXxW) | • Request to Exit Weatherized for High Voltage (EXVxW) |
| • Request to Exit for High Voltage (EXV) | | |

Accessories

- | | |
|---------------------|-------------------------|
| • SN1 - Sex Nut Kit | • FC - Flexible Conduit |
|---------------------|-------------------------|

Finishes

605 / US3	Polished Brass	629 / US32	Polished Stainless Steel
606 / US4	Brushed Brass	630 / US32D	Brushed Stainless Steel
611 / US9	Polished Bronze	693 / SPBLK	Black, painted
612 / US10	Brushed Bronze	695 / SP313	Dark Bronze, painted
613 / US10B	Oil Rubbed Bronze		
628 / US28	Satin Aluminum		

00/05 Standard Dummy Device with two end-caps



The standard 00 device consists of no moving parts. With two standard Advantex end-caps, this inactive device is easy to install and is available in all finishes. The 05 device is the same but with an extended base-plate for narrow stile doors.

Mechanical Options

- 36 - Fits 36" Door Widths (std.)
- 48 - Fits 48" Door Widths
- EC1 - Ramped Endcap - Heavy duty (standard on 630, 606, 612, 613, 605, 611 & 629 finishes only)
- EC2 - Flush Endcap (standard on 628, 693 & 695 finishes only)

Accessories

- SN1 - Sex Nut Kit

Finishes

605 / US3	Polished Brass	628 / US28	Satin Aluminum	693 / SPBLK	Black, painted
606 / US4	Brushed Brass	629 / US32	Polished Stainless Steel	695 / SP313	Dark Bronze, painted
611 / US9	Polished Bronze				
612 / US10	Brushed Bronze	630 / US32D	Brushed Stainless Steel		
613 / US10B	Oil Rubbed Bronze				



Detex Corporation
302 Detex Drive
New Braunfels, Texas 78130-3045 USA
PH. (830) 629-2900
(800) 729-3839
FAX (800) 653-3839
<http://www.detex.com>
USA Sales:
marketing@detex.com
International Sales:
export@detex.com

Technical Information Contents

Cylinder Requirements

Mortise Cylinder Lengths

Cylinder Collars

Fasteners

Security Screws

Sex Bolts

10 Series Rim Mounting Plate Retrofit Chart

Compatibility With Access Control Entry Trims

Installation

Handing

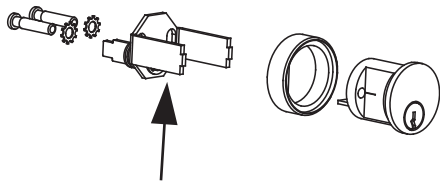
Minimum Door Widths Chart

Cylinder Requirements

Product	Rim Cylinder	Mortise Cylinder All Use Standard (Yale) Cam
Cylinder Dogging		X
Electrified Options EA, EI, EM		X
All 03 Function Trims	X	
All 08 & 09 Function Trims		X

03 Function Detail

All Advantex 03 Function outside trims are supplied with a self-adjusting tailpiece that correctly fits into the cam on the mounting plate.



101454-1 (std.) Tailpiece fits doors 1-3/4" to 2-1/4"

03 Function For Thicker Doors

- 101454-2 Tailpiece fits doors 2-1/2" to 3-1/4"
- 101454-3 Tailpiece fits doors 3-1/2" to 4"

Rim cylinder tailpieces are cut to fit into the tailpiece making the cut less critical.

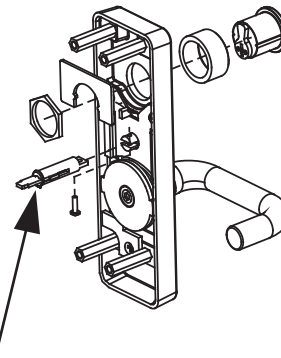
Mortise Cylinder Length

The cylinder assembly in the slide-in filler used for both the cylinder dogging and electrified options are supplied with shims to accommodate cylinder lengths from 7/8 to 1-1/4

Mortise cylinder



08 & 09 Function Detail



100772 (std.) 1-1/2" Shaft Extender

08 & 09 Function For Thicker Doors

- 100772-1 4" Shaft Extender
- 100772-2 3-1/2" Shaft Extender

Lever trims come with the adjustable tailpiece which is attached to the escutcheon.

Cylinder Collars

See Accessories for Cylinder Collar lengths.

Fasteners

Door manufacturer should be consulted for proper mounting fasteners. #14 x 1-1/4 PPH sheet metal screws and 1/4-20x 1" PHP machine screws are furnished standard on all devices and strikes. Fasteners of proper length for door thickness are furnished with devices where trims are through bolted. C and CN Pull trims are furnished with 1/4-20 through bolt for attaching bottom of pull handle.

Security Screws

For added security, pin head screws are available in two different kits.

SSK1 Security Screw Kit for Rim Devices Contains:

- 2 MS 10/32, FH, Undercut
- 4 MS 6/32 FH
- 2 MS 1/4-20 BH
- 2 SMS #14 x 1" BH Type AB
- 4 Tamper Bits required for above

SSK2 Security Screw Kit for Surface Vertical Rod Devices Contains:

- 6 MS 6-32 x 1/4" FH Undercut
- 2 MS 8-32 FH Undercut
- 2 MS 10-32 FH, Undercut
- 2 MS 1/4-20 BH
- 2 MS #14 x 1" BH Type AB
- 4 Tamper Bits required for above

Sex Bolts

If sex bolts are required, see chart below for quantity required for each device.

SN1 kit contains 2 each 1/4-20 bolts. Specify finish.

Function or Trim	Rim Devices		Surface Vertical Rod Devices		Surface Vertical Rod Top Rod Only Devices	
	10 Series	40 Series	20 Series	50 Series	21 Series	51 Series
01	6	4	10	8	6	4
02, 03	2	2	6	6	4	4
08, 09 & 14	2	2	6	6	4	4

Mounting Plates

Device	Mounting Plate	Trim Function
10 Series	BP1/BP3/BP5	01, 02, 08, 09, 14
	BP7	03
20/21 Series	BP1	01, 02, 08, 09, 14
	BP7	03
30 Series	BP9	01, 02, 03, 08, 09, 14
40 Series (V40)	BP2	01, 02, 08, 09, 14
	BP8	03
50/51 Series (V50/V51)	BP2	01, 02, 08, 09, 14
	BP8	03
60/61 Series	BP10	08, 09
	BP12	02, 03
62/63 Series	BP10	01, 08, 09, 14
	BP12	02, 03
70/71 Series	BP11	01, 08, 09, 14
	BP13	02, 03
80/81 Series	BP11	01, 08, 09, 14
	BP13	02, 03
82/83 Series	BP11	01, 08, 09, 14
	BP13	02, 03



Technical Information

10 Series

Advantex Rim Mounting Plate Retrofit Chart

Detex	Von Duprin	Sargent	Precision	Yale	Corbin Russwin
BP-1*	98/99				
BP-3		8800 (See Note)	11/2100 (See Note)		
BP-5				7100	ED5200

NOTE: BACKPLATE HOLE ALIGNMENT MAY BE OFF BY UP TO 1/16"

Advantex mounting plates BP-1, BP-3 and BP-5 are for use with 10 Series Rim Device.

Advantex mounting plates offer the ability of retrofitting the rim device using the existing door preps of the manufacturers listed above.

*Shipped standard with 10 Series Device

Hardware Templates

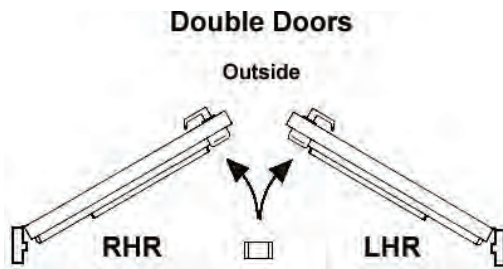
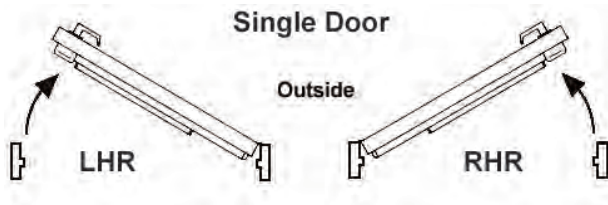
See Detex Template Policy in General Information

Compatibility with Access Control Entry Trims

Advantex will operate with the following entry trims:

Marks iQue series
Omni-Lock
Onity
Kaba Access Controls
Trilogy

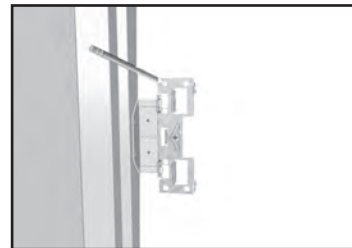
Handing



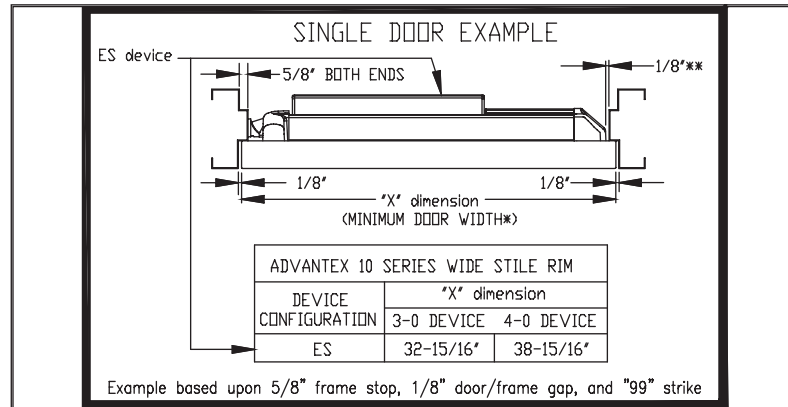
Installation

The patented Advantex mounting plate and strike locator system allows:

- Quick and easy installation by one person
- No paper templates
- Accurate backset every time
- Square up to door and frame made easy



MINIMUM DOOR WIDTHS



**DOOR SHOWN WITH 1/8" CLEARANCE FOR END CAP, SOME WEATHERSTRIP REQUIRES ADDITIONAL CLEARANCE. ADDITIONAL CLEARANCE WILL REQUIRE WIDER DOORS.

Charts are based upon 5/8" frame stop, 1/8" door/frame gap, and standard device strike (see notes)

ADVANTEX 10 SERIES - WIDE STILE RIM (99 STRIKE)		
DEVICE CONFIGURATION	"X" dimension	
	3-0 DEVICE	4-0 DEVICE
EA	33"	39"
EI	33"	39"
EM	34-3/4"	40-3/4"
EE	34-3/4"	40-34"
EExER	34-3/4"	40-3/4"
ED	34-1/8"	40-1/8"
ER	34-3/4"	40-3/4"
ES	33"	39"
EX	29"	35"
CD	29"	35"
HD	29"	35"
LD	28-3/8"	34-3/8"

- 1) For single door frames with no stop, subtract 1-1/4 from minimum door width
- 2) For Mullion application add 3/8" to each width
- 3) Standard strike for 10 Series is 99 Strike



Technical Information

MINIMUM DOOR WIDTHS CONT'D

ADVANTEK 40 SERIES -NARROW STILE RIM (98 STRIKE w/o STOPS)		
DEVICE CONFIGURATION	"X" dimension	
	3-0 DEVICE	4-0 DEVICE
EA	31-7/8"	37-7/8"
EI	31-7/8"	37-7/8"
EM	34"	40"
EE	34"	40"
ED	33-3/8"	39-3/8"
ER	34	40
ES	31-7/8"	37-7/8"
EX	27-7/8"	33-7/8"
CD	27-7/8"	33-7/8"
HD	27-7/8"	33-7/8"
LD	27-1/4"	33-1/4"

- 1) For single door frames with 5/8" stops, add 1-1/4" from minimum door width
- 2) For Mullion application add 3/8" to each door width
- 3) Standard strike for 40 Series is 98 strike with 5/8 stop, backset is 2-1/4"
- 4) Standard strike for 40 Series is 98 strike with no stop, backset is 1-1/8"

ADVANTEK 20/21 SERIES - WIDE STILE SVR, BACKSET IS 2-3/4"		
DEVICE CONFIGURATION	"X" dimension	
	3-0 DEVICE	4-0 DEVICE
EA	33"	39"
EI	33"	39"
EE	34-3/4"	40-3/4"
ED	34-1/8"	40-1/8"
ER	34-3/4"	40-3/4"
ES	33"	39"
EX	29"	35"
CD	29"	35"
HD	29"	35"
LD	28-3/8"	34-3/8"

- 1) For double door frames without stops, subtract 5/8" from minimum door width
- 2) For backset = 2", subtract 3/4" from minimum door width



Technical Information

MINIMUM DOOR WIDTHS CONT'D

ADVANTEK 50/51 SERIES - NARROW STILE SVR w/o STOPS, BACKSET IS 1-1/8"		
DEVICE CONFIGURATION	"X" dimension	
	3-0 DEVICE	4-0 DEVICE
EA	31-3/8"	37-3/8"
EI	31-3/8"	37-3/8"
EE	33-1/8"	39-1/8"
ED	32-1/2"	38-1/2"
ER	33-1/8"	39-1/8"
ES	31-3/8"	37-3/8"
EX	27-3/8"	33-3/8"
CD	27-3/8"	33-3/8"
HD	27-3/8"	33-3/8"
LD	26-3/4"	32-3/4"

1) For double door frames without stops, add 5/8" to minimum door width

ADVANTEK 30 SERIES - WIDE STILE MORTISE		
DEVICE CONFIGURATION	"X" dimension	
	3-0 DEVICE	4-0 DEVICE
EA	33"	39"
EI	33"	39"
EE	34-3/4"	40-3/4"
ED	34-1/8"	40-1/8"
ER	34-3/4"	40-3/4"
ES	33"	39"
EX	29"	35"
CD	29"	35"
HD	29"	35"
LD	28-3/8"	34-3/8"

1) For double door frames without stops, subtract 5/8" from minimum door width

Life Safety and Security Door Hardware



VALUE SERIES[®]

Value Series® Performance Specification

General

All exit devices shall be Value Series® V40 series rim devices or V50/V51 series surface vertical rod devices as manufactured by Detex Corporation, New Braunfels, TX, USA. Each exit device shall be equipped and installed with a patented mounting plate and strike locator for an accurate installation. All devices shall be available with outside trim. All devices shall be non-handed and field sizeable.

Code Compliance

The exit devices shall be listed by Underwriters Laboratories and bear the UL label for panic hardware in compliance with NFPA 80 and 101. Where required, all devices shall have a UL label for Fire Exit Devices listed for use on fire rated doors up to and including A label, three hours. UL labeled Fire Exit Devices shall be listed for door opening sizes up to 4'0" x 10'0" on single doors and 8'0" x 8'0" on door pairs with an F90KR Keyed Removable Mullion.

Where required, all rim devices shall have a Miami-Dade County, Florida label indicating hurricane listing.

All exit devices shall be certified to meet ANSI/BHMA requirements, and conform to ADA and California Title 19 requirements.

Design

All exit devices shall be of impact resistant ABS and a structurally engineered extruded aluminum body. The end cap shall be designed with a tapered angle of 38 degrees to deflect damage away from the device. All exit devices shall be designed with base plate-mounted pushpads and internally ribbed aluminum extrusion rails to dissipate excessive force to the pushpad and prevent damage to the operating mechanisms.

All latch bolts shall be stainless steel material with a deadlocking feature for increased security.

Hex key dogging shall be a standard feature for all non-fire rated exit devices. Optional features include cylinder dogging or less dogging. All dogging will be accomplished with no more than a one-eighth turn of the hex key or cylinder key to minimize the risk of repetitive motion injuries.

The through-bolted modular design of all exit devices shall accommodate a variety of different trims and functions without altering the exit device. It shall not be necessary to remove the device from the door for keyed changes or standard maintenance.

Options

Optional slide in filler plates shall be available for all exit devices to accommodate optional dogging types, alarm and other electrified features.

Warranty

Detex Value Series® panic hardware, when properly installed, used and maintained, is warranted to be free of defects in material and workmanship. We will, for a period of ten (10) years from the date of purchase, repair or replace any part which, upon our examination, proves to be defective under normal use. Electrical components, when properly installed, used and maintained, are warranted to be free of defects in material and workmanship for a period of three (3) year. This warranty will be honored only upon presentation of proof that the product covered thereby was purchased directly from an authorized Detex distributor. We shall not be liable for any direct, incidental or consequential loss or damage arising out of the failure of this panic hardware to operate.

Applications & Listings

Single Door

Device Type	Application	Maximum Opening	UL & ULC Fire Rating					
			(A) 3 HOUR	(B) 1-1/2 HOUR	(C) 3/4 HOUR	(D) 1-1/2 HOUR	(E) 3/4 HOUR	20 MIN.
Rim Series FV40	Surface applied: Single point latching	4' x 10'	•	•	•	•	•	•
Surface Vertical Rod Series FV50	Surface applied: Two point latching	4' x 10'	•	•	•	•	•	•
Surface Vertical Rod (Top Rod Only) Series FV51	Surface applied: Single point latching	4' x 10'	•	•	•	•	•	•

Pairs of Doors

Device Type	Application	Maximum Opening	UL & ULC Fire Rating					
			(A) 3 HOUR	(B) 1-1/2 HOUR	(C) 3/4 HOUR	(D) 1-1/2 HOUR	(E) 3/4 HOUR	20 MIN.
Rim x Mullion FV40 x FV40 x F90KR	Two independent active doors with removable mullion	8' x 8'	•	•	•	•	•	•
Surface Vertical Rod FV50	Two independent active doors with two point locking	8' x 10'	•	•	•	•	•	•
Surface Vertical Rod (Top Rod Only) FV51	Two independent active doors with single point locking	8' x 10'	•	•	•	•	•	•

When used on wood or composite doors, certain limitations may apply. It is advised that the door manufacturer be consulted for its fire-rating capabilities and requirements.



ADA Compliant



Exceeds life safety and all building code requirements



UL listed panic and fire exit hardware. Fire rated for 3 hours



All Value Series® devices are certified ANSI/BHMA A-156.3-2001 Grade 1

Meets requirement of EC Standard BS EN 1125: 1997/A1:2001



Miami-Dade County, Florida } V40 Only
NOA 10-0303.02 Exp. 04/07/15

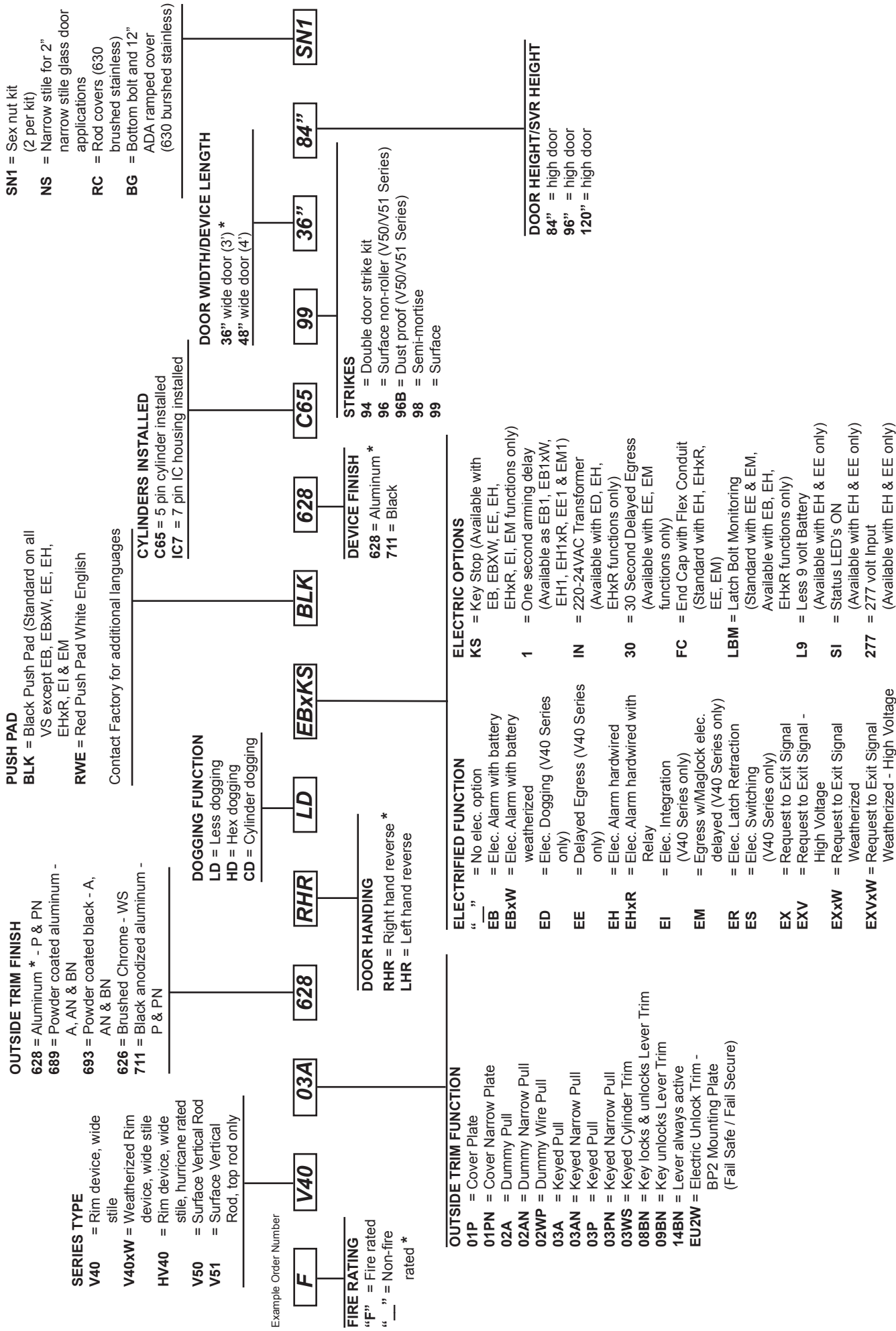
State of Florida Approval - FL9052



Some Models are UL Canada listed panic and fire exit hardware. Fire rated for 3 hours

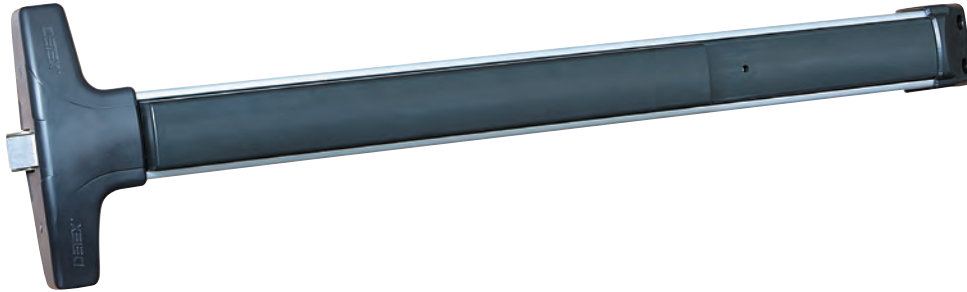
Contact Factory





NOTE: * = default
 Contact factory for availability of combined options

NOTE: Optional 2, 10 or 20 minute auto rearm available with EB, EBxW, EH & EHxR (Alarm resets after programmed time)



Exit Device Types

V40 Series - Rim Exit Device

V40xNS - Narrow Stile Rim Exit Device

V40xW Series - Weatherized Rim Exit Device

V50 Series - Surface Vertical Rod Device

V50xNS Series - Narrow Stile Surface Vertical Rod Device

V50xW Series - Weatherized Surface Vertical Road Device

V51 Series - Surface Vertical Rod Device - Top Rod Only

V51xW Series - Weatherized Surface Vertical Rod - Top Rod Only

VALUE SERIES® V40 SERIES (RIM)

RATING

For no rating, leave blank

"H" = Hurricane

"F" = Fire Rated (Less/No

Dogging Only)

"FH" = Hurricane and Fire Rated

OUTSIDE TRIM FINISH

626 = Brushed chrome (DWS trims)

628 = Brushed Aluminum (P/P/N trims)

689 = Aluminum (BN/A/AN trims)

693 = Black, powder coated (BN/A/AN trims)

711 = Black, Aluminum (P/P/N trims)

DOGGING FUNCTION

LD = Less/No dogging

HD = Hex key dogging

CD = Cylinder key dogging

PRE-INSTALLED CYLINDERS

If cylinders provided by others, leave blank

MC65 = Mortise Cylinder(s) Spint/Keyed 5

IC7 = Mortise Cylinder(s) SFIC housing

IK7 = Mortise Cylinder(s) Instakey housing

RC65 = Rim Cylinder(s) Spint/Keyed 5

IC7R = Rim Cylinder(s) SFIC housing

IK7R = Rim Cylinder(s) Instakey housing

FASTENERS

For Standard machine,

wood & self-drilling

screws, leave blank

SN1 = Sex Nuts/

Throughbolts

(Hurricane rated

hardware includes

sex nuts for latch

bolts)

PUSHPAD COLOR

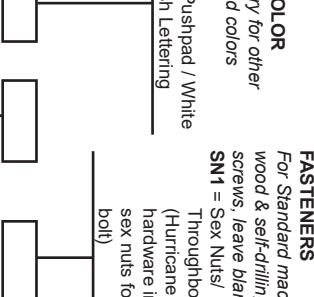
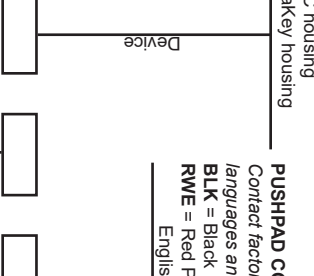
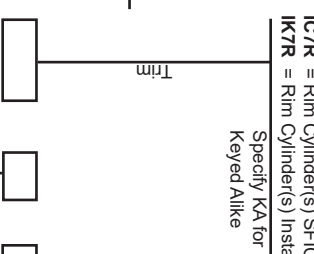
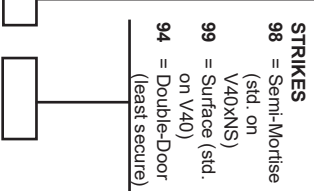
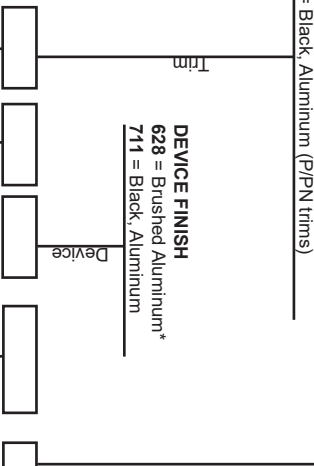
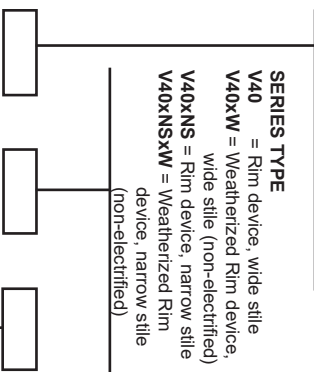
Contact factory for other

languages and colors

BLK = Black

RWE = Red Pushpad / White

English Lettering



OUTSIDE TRIM FUNCTION & FINISH

01P = Exit only, blank plate

03P = Key retracts latch

01PN = Exit only, blank plate; narrow trim

03PN = Key retracts latch; narrow trim

03WS = Key retracts latch

02A = Dummy pull

03A = Key retracts pull; pull trim

02AN = Dummy pull; narrow trim

03AN = Key retracts pull - pull trim; narrow trim

02BN = Dummy lever; narrow trim

08BN = Active lever, key locks/unlocks lever;

narrow trim (handed) (classroom)

09BN = Lever trim active by key, locked when

key removed; narrow trim (handed)

14BN = Active lever, no key cylinder; narrow trim

(handed) (passage)

02D2W = Dummy lever; wide trim (two posts for

use with narrow head device)

08D2W = Active lever, key locks/unlocks lever;

wide trim (two posts for use with narrow

head device) (classroom)

09D2W = Lever trim active by key, locked when

key removed; wide trim (two posts for

use with narrow head device)

14D2W = Active lever, no key cylinder; wide trim

(two posts for use with narrow head

device) (passage)

EU2W = Electric lock/unlock; wide trim (two posts

for use with narrow head device) -

24VDC & Fail Secure (FSE) Std. -

Specify handing (not field reversible).

For 12VDC, specify VDC. For Fail Safe

specify FSA

CBK = Cylinder Bracket Kit, 03 only, plate & pull

handle by others required

ELECTRIFIED FUNCTION

For no electrified function, leave blank

Standard

Select Arming Time and Auto Rearm

EA = Hardwired Elec. Alarm

(Formerly E/HE/HXR)

EB = Elec. Alarm with Battery

ED = Elec. Dogging

EX = Request To Exit (Signal) Switch

EXV = Request To Exit (Current) Switch

EI = Elec. Integration (logic controller

required)

ES = Elec. Switching (dead latch &

OKC switches)

Weatherized Alarms

Select Arming Time and Auto Rearm

EBXW = Elec. Battery Operated Exit

Alarm Weatherized

KEYSTOP

For no key/stop, leave blank

KS = Key Stop (Available

with EA, EBXW, EE,

EI functions)

DOOR WIDTH

For no key/stop, leave blank

36" wide door (3")*

48" wide door (4")

FLEX CONDUIT

FC = End Cap with Flex

Conduit

NOTE: * = default/standard

Fire-rated trims must be Fail Safe (FSA)
All fire-rated devices Less Dogging/fail safe

Also see online
version at
detex.com/hto

March 9, 2017

VALUE SERIES®

V40

Rim Exit Device

The V40 Series rim exit device is secure and durable **panic and fire exit hardware** at an economical price. It is designed for use on all types of single and double doors with mullions. The patented mounting plate and strike locator system ensures the easiest and most accurate installation of panic hardware available.



V40
(628 Finish)



V40
(711 Finish)

ANSI 156.3 - 2008
Grade 1
Type 1

Standard V40 Rim Device accommodates wide stile doors, 4" or greater stile, and flush doors. For Narrow Stile doors, 2" to 2 1/2" stiles, specify V40xNS model which provides a 2" longer device and a lower profile strike.

Benefits

- Priced to be the best value for durable and attractive loss prevention panic hardware
- Minimal door prep saves time and money
- Outside trims are easily changed or rekeyed without removing device from door
- Fast and easy installation
- Fits almost any door in any décor

Features

- Patented mounting plate and strike locator
- 1/8 turn hex key dogging
- Withstands over 1400 pounds of static pull force for greater security
- Covers a 161 door prep
- Heavy-duty angled end cap
- Modular design accepts a variety of outside trims and functions
- Stainless steel, 3/4" deadlocking Pullman-type latch bolt
- Heavy-duty ribbed aluminum rail extrusion
- Standard and narrow stile pull trims available
- Non-handed
- High impact ABS and anodized surfaces

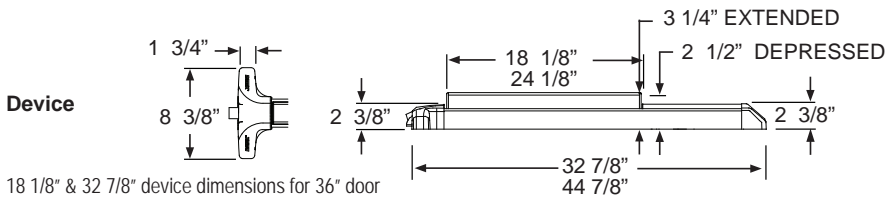
Mechanical Options

- CD - Cylinder Dogging
- F - 3-Hour Fire Rated
- 98 - Semi Mortise Strike
- HD - Hex Dogging (Std.)
- H - Hurricane Rated
- Available with 628 Base Rail Extrusion (Std.)
- LD - Less Dogging
- For Narrow Stile that fits 2" Narrow stile glass door see V40xNS
- Available with 711 Base Rail Extrusion
- 36 - Fits 36" Door Width (Std.)
- 99 - Surface Strike (Std.)

Electrical Options

- Exit Alarm with 9 volt Battery (EB)
- Hardwired 24VAC/DC Exit Alarm with Remote Signal (EHxR)
- Electric Switching (ES)
- Weatherized Exit Alarm (EBxW)
- Electric Integration (EI)
- Request to Exit (EX)
- Electric Dogging (ED)
- Delayed Egress with Magnetic Lock (EM)
- Weatherized Request to Exit (EXxW)
- Delayed Egress (EE)
- Electric Latch Retraction (ER)

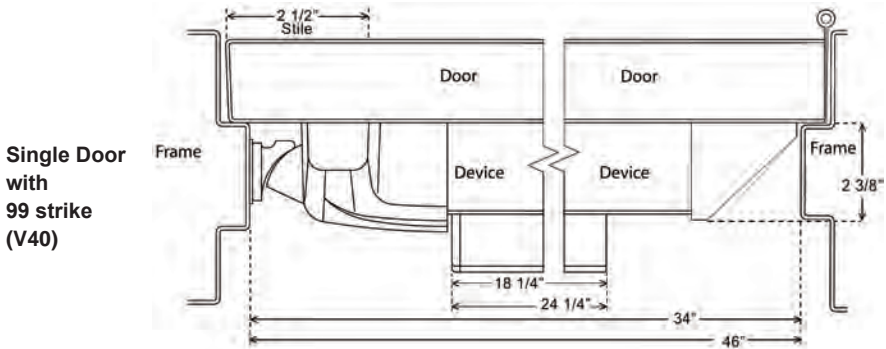
Dimensions



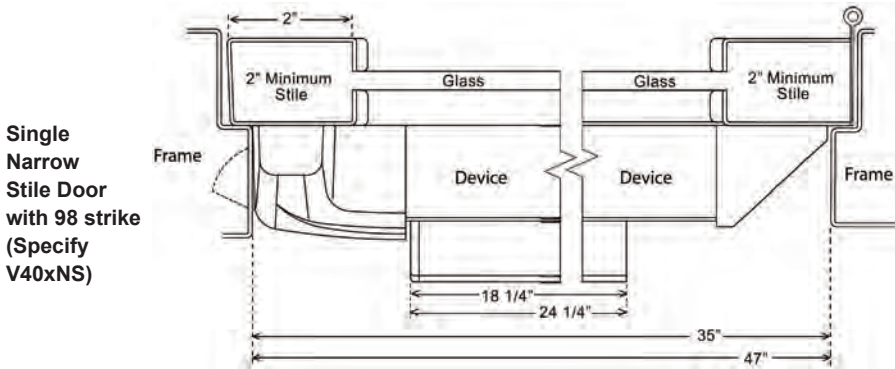
18 1/8" & 32 7/8" device dimensions for 36" door

24 1/8" & 44 7/8" device dimensions for 48" door

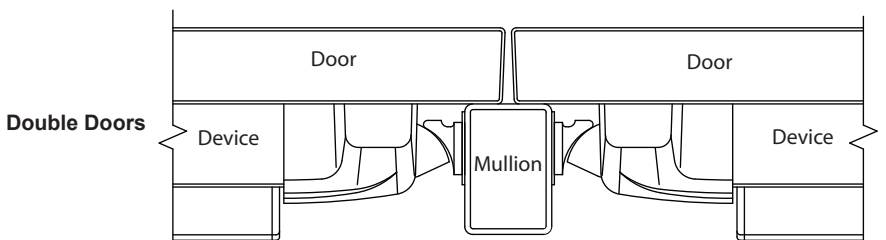
Add 2" for NS



Single Door with 99 strike (V40)



Single Narrow Stile Door with 98 strike (Specify V40xNS)



Double Doors

Accessories

- SN1 - Sex Nut Fasteners
- GB2 - Glass Bead Kit
- NSK- Narrow Kit - for 2" narrow stile glass door applications that must be added in the field
- Outside Trim (see Value Series Trim Options)
- Optional Sex Nuts or Security Torx Screws available

Technical Information

- Door Types - Wood, Hollow Metal, Fiberglass or Aluminum
- Door Thickness - Fits standard 1-3/4" - 2-1/4"
- Single Door Stile - Fits 3-1/2" minimum stile doors with 99 surface strike (Std.)
- Pairs of Doors Stile - Fits 4" minimum stile doors with 99 surface strike
- Door Stile - Fits 2" narrow stile doors - specify NS
- Machine and Self-Drilling Screws (Std.)

Detex Limited Warranty

10 Year Mechanical/3 Year Electrical Limited Manufacturer's Warranty

Listings and Approvals



UL Listed Panic Hardware



ULC 97, Standard 7-2 and UL10B/UL10C for positive pressure



UL Listed Fire Exit Hardware for 3 hours, maximum 4'x10' single doors and pairs of 4'x8' with F90KR keyed removable mullion



Meets NFPA 80 & 101 for Life Safety



Meets ADA requirements



Miami-Dade County, Florida NOA 15-0415.08

State of Florida Approval FL9052



ANSI/BHMA certified A156.3



California State Fire Marshall 4140-0127:105 and 3725-0127:108

Where Trust is Built™
DETEX®
Life Safety and Security Door Hardware

Detex Corporation
302 Detex Drive
New Braunfels, Texas 78130-3045 USA
PH. (830) 629-2900
(800) 729-3839
FAX (800) 653-3839
<http://www.detex.com>
USA Sales:
marketing@detex.com
International Sales:
export@detex.com

VALUE SERIES®

V40xNS SERIES Narrow Stile Rim Exit Device

The V40xNS Series narrow stile **rim exit device** is secure and durable **panic and fire exit hardware** at an economical price. It is designed for use on narrow stile single and double doors with mullions. The patented mounting plate and strike locator system ensures the easiest and most accurate installation of panic hardware available. Extended length enables V40xNS to span stiles on 2" narrow stile doors.



V40xNS
(628 Finish, Standard)

ANSI 156.3 - 2008
Grade 1
Type 4



V40xNSx711
(711 Finish)

V40xNS Rim Exit Device accommodates narrow stile doors, 2" to 3-1/2" stile width.

Benefits

- Priced to be the best value for durable and attractive panic hardware
- Minimal door prep saves time and money
- Outside trims are easily changed or rekeyed without removing device from door
- Fast and easy installation saves time and money
- Fits almost any door in any décor

Features

- Patented mounting plate and strike locator
- Covers a 161 door prep
- Stainless steel, 3/4" deadlocking Pullman-type latch bolt
- Non-handed
- Field sizeable
- 1/8 turn hex key dogging
- Angled end cap
- Heavy-duty ribbed aluminum rail extrusion
- High impact ABS and anodized surfaces
- Withstands over 1400 pounds of static pull force
- Modular design accepts a variety of outside trims and functions
- Standard and narrow stile pull trims available

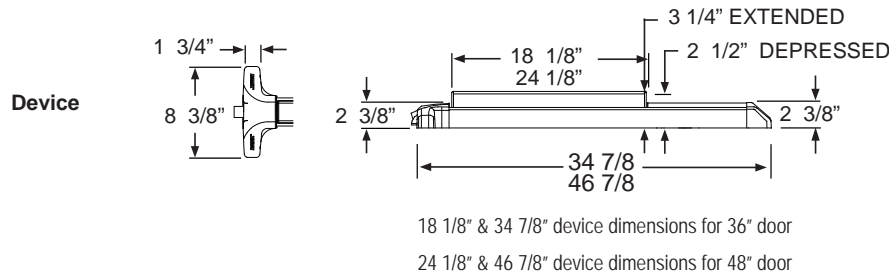
Mechanical Options

- CD - Cylinder Dogging
- HD - Hex Dogging (Std.)
- LD - Less Dogging
- 36 - Fits 36" Door Width (Std.)
- 48 - Fits 48" Door Width
- F - 3-Hour Fire Rated
- H - Hurricane Rated
- 98 - Semi Mortise Strike (Std.)
- Available with 628 Base Rail Extrusion (Std.)
- Available with 711 Base Rail Extrusion

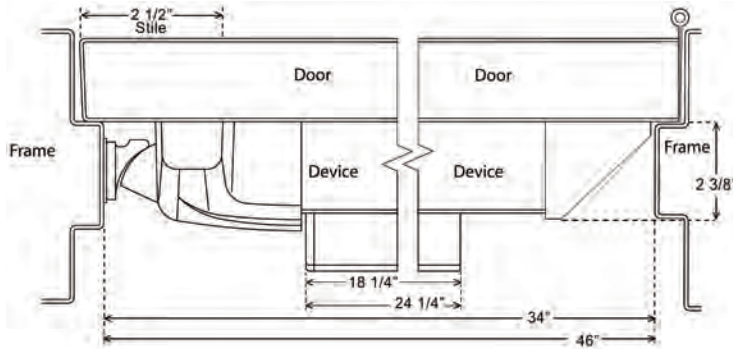
Electrical Options

- Exit Alarm with 9 volt Battery (EB)
- Weatherized Exit Alarm (EBxW)
- Electric Dogging (ED)
- Delayed Egress (EE)
- Exit Alarm Hardwired 24VDC (EH)
- Hardwired 24VAC/DC Exit Alarm with Remote Signal (EHxR)
- Electric Integration (EI)
- Delayed Egress with Magnetic Lock (EM)
- Electric Latch Retraction (ER)
- Electric Switching (ES)
- Request to Exit (EX)
- Weatherized Request to Exit (EXxW)

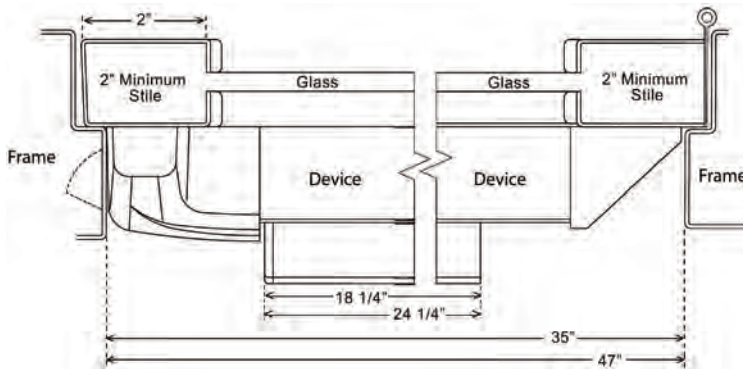
Dimensions



Single Door with 99 strike (V40)



Single Narrow Stile Door with 98 strike (Specify V40xNS)



For Pairs of Doors with Stiles 2 1/2" and wider, use V40xNS with 90KR Mullion.
For Pairs of Doors with Stiles 2" wide, use store front mullion by others.

Accessories

- SN1 - Sex Nut Fasteners
- GB2 - Glass Bead Kit
- Outside Trim (see Value Series Trim Options)
- Optional Sex Nuts or Security Torx Screws available

Technical Information

- Door Types - Wood, Hollow Metal, Fiberglass or Aluminum
- Door Thickness - Fits standard 1-3/4" - 2-1/4"
- Door Stile - Fits 2" narrow stile doors when specifying NS (includes lower profile strike)
- Machine and Self-Drilling Screws (Std.)

Detex Limited Warranty

10 Year Mechanical/3 Year Electrical Limited Manufacturer's Warranty

Listings and Approvals



UL Listed Panic Hardware



UL 10B/UL 10C for positive pressure



UL Listed Fire Exit Hardware for 3 hours, maximum 4'x10' single doors and pairs of 4'x8' with F90KR keyed removable mullion



Meets NFPA 80 & 101 for Life Safety



Meets ADA requirements



Miami-Dade County, Florida NOA 15-0415.08

State of Florida Approval FL9052



ANSI/BHMA certified A156.3



California State Fire Marshall 4140-0127:105 and 3725-0127:108

Where Trust is Built™
DETEX®
Life Safety and Security Door Hardware

Detex Corporation
302 Detex Drive
New Braunfels, Texas 78130-3045 USA
PH. (830) 629-2900
(800) 729-3839
FAX (800) 653-3839
<http://www.detex.com>
USA Sales:
marketing@detex.com
International Sales:
export@detex.com

VALUE SERIES®

V40xW

Weatherized Rim Exit Device

The V40xW Series **rim exit device** is secure and durable **panic and fire exit hardware** at an economical price. It is designed for use on all types of single and double doors and gates with mullions that are or may be exposed to the weather. The patented mounting plate and strike locator system ensures the easiest and most accurate installation of panic hardware available. In addition to listing as UL panic and fire exit hardware device, this device conforms to UL1034-34 Temperature Section 34, UL1034-54 Dust Section 54, MIL-STD 810F, Method 506.4 (driving rain test); MIL-STD 810F, Method 509.4 (salt fog test) and UBC standard 7-2 (positive pressure).



Benefits

- Priced to be the best value for durable and attractive loss prevention panic hardware
- Minimal door prep saves time and money
- Outside trims are easily changed or rekeyed without removing device from door
- Fast and easy installation
- Fits almost any door in any décor

Features

- Patented mounting plate and strike locator
- 1/8 turn hex key dogging
- Withstands over 1400 pounds of static pull force for greater security
- Covers a 161 door prep
- Heavy-duty angled end cap
- Modular design accepts a variety of outside trims and functions
- Stainless steel, 3/4" deadlocking Pullman-type latch bolt
- Heavy-duty ribbed aluminum rail extrusion
- Standard and narrow stile pull trims available
- Non-handed
- High impact ABS and anodized surfaces

Mechanical Options

- CD - Cylinder Dogging
- F - 3-Hour Fire Rated
- 98 - Semi Mortise Strike
- HD - Hex Dogging (Std.)
- H - Hurricane Rated
- Available with 628 Base Rail Extrusion (Std.)
- LD - Less Dogging
- NS - Narrow stile door option
- Available with 711 Base Rail Extrusion
- 36 - Fits 36" Door Width (Std.)
- 99 - Surface Strike (Std.)

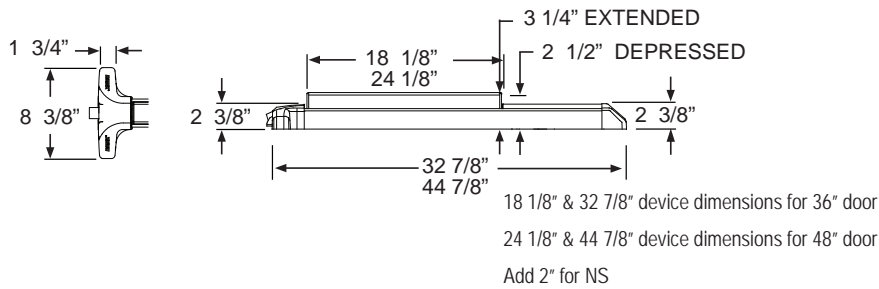
Electrical Options

- Weatherized Exit Alarm (EBxW)
- Weatherized Request to Exit High Voltage (EXVxW)
- Refer to Electrified Options section for more information
- Weatherized Request to Exit (EXxW)

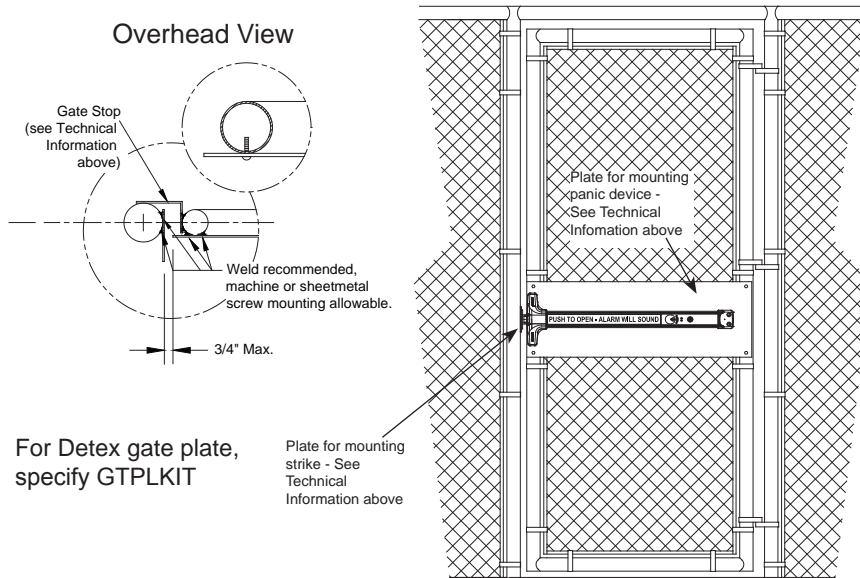
Accessories

- SN1 - Sex Nut Fasteners
- GTPLKIT - Adjustable Gate Plate
- GB2 - Glass Bead Kit
- Outside Trim (see Value Series Trim Options)
- NSK - Narrow Kit - for 2" narrow stile glass door applications that must be added in the field
- Optional Sex Nuts or Security Torx Screws available

Dimensions



Single Gate Riser



Technical Information

- Door Types - Wood, Hollow Metal, Fiberglass or Aluminum
- Door Thickness - Fits standard 1-3/4" - 2-1/4"
- Door Stile - Fits 2-1/2" stile doors with 99 surface strike (Std.)
- Door Stile - Fits 2" narrow stile doors - specify NS
- Machine and Self-Drilling Screws (Std.)

Recommended Plate Size

Gate - 1/8" thick plate, galvanized, or painted steel or 1/4" thick aluminum plate, minimum Height - 10"

Strike - 1/8" thick plated, galvanized, painted steel plate, angle iron, or 1/4" thick aluminum plate, minimum Height - 5"

Stop - 1/8" thick plated, galvanized, or painted angle iron or 1/4" thick aluminum angle plate, minimum Height - 2"

Detex Limited Warranty

10 Year Mechanical/3 Year Electrical Limited Manufacturer's Warranty

Listings and Approvals



UL Listed Panic Hardware



IBC 97, Standard 7-2 and UL10B/UL10C for positive pressure



UL Listed Fire Exit Hardware for 3 hours, maximum 4'x10' single doors and pairs of 4'x8' with F90KR keyed removable mullion



Meets NFPA 80 & 101 for Life Safety

UL1034-34 Temperature Section 34 [Temperature Range -31°F (-35° C) to 150° F (+66° C)]



Miami-Dade County, Florida NOA 15-0415.08

UL1034-54 Dust Section 54

State of Florida Approval FL9052



Meets ADA requirements



California State Fire Marshall 4140-0127:105 and 3725-0127:108



ANSI/BHMA certified A156.3

MIL-STD 810F (G), Method 509.4 (Salt Fog Test)

MIL-STD 810F (G), Method 506.4 (Driving Rain), Procedure 1

Where Trust is Built™
DETEX®
Life Safety and Security Door Hardware

Detex Corporation
302 Detex Drive
New Braunfels, Texas 78130-3045 USA

PH. (830) 629-2900
(800) 729-3839

FAX (800) 653-3839
http://www.detex.com

USA Sales:
marketing@detex.com
International Sales:
export@detex.com

VALUE SERIES® V50 SERIES (SURFACE VERTICAL ROD)

RATING

For no rating, leave blank

"H" = Hurricane (V50 & V50XW only)

"F" = Fire Rated (Less/No Dogging Only)

"FH" = Hurricane and Fire Rated

SERIES TYPE

V50 = SVR, wide stile

V50XW = Weatherized SVR, wide stile

(non-electrified)

V50XNS = SVR, narrow stile

V50XNSXW = Weatherized SVR, narrow stile (non-electrified)

V51 = SVR, top rod only, wide stile

V51XW = Weatherized SVR, top rod only, wide stile (non-electrified)

V51XNS = SVR, top rod only, narrow stile

V51XNSXW = Weatherized SVR, top rod only, narrow stile (non-electrified)

OUTSIDE TRIM FINISH

626 = Brushed chrome (D/W/S trims)

628 = Brushed Aluminum (P/PPN trims)

689 = Aluminum (BN/A/AN trims)

693 = Black, powder coated (BN/A/AN trims)

711 = Black, Aluminum (P/PPN trims)

STRIKES

96 = Surface non-roller top strike and non-dust-proof bottom strike*

96B = Substitute 96 bottom strike for Dust Proof strike

PUSHPAD COLOR

Contact factory for other languages and colors

BLK = Black

RWE = Red Pushpad / White English Lettering

FASTENERS

For Standard machine, wood & self-drilling screws, leave blank

SN1 = Sex Nuts/Throughbolts (Hurricane rated hardware includes sex nuts for top latch and bottom bolt)

DOGGING FUNCTION

LD = Less/No dogging

HD = Hex key dogging

CD = Cylinder key dogging

DEVICE FINISH

628 = Brushed Aluminum*

711 = Black, Aluminum

PRE-INSTALLED CYLINDERS

If cylinders provided by others, leave blank

MC65 = Mortise Cylinder(s) (p/n/Keyed 5

IC7 = Mortise Cylinder(s) IC housing

IK7 = Mortise Cylinder(s) Instakey housing

RC65 = Rim Cylinder(s) (p/n/Keyed 5

IC7R = Rim Cylinder(s) IC housing

IK7R = Rim Cylinder(s) Instakey housing

Specify KA for Keyed Alike Device

OUTSIDE TRIM STYLE & FINISH

01P = Exit only, blank plate

03P = Key retracts latch

01PN = Exit only, blank plate; narrow trim

03PN = Key retracts latch; narrow trim

03WS = Key retracts latch

02A = Dummy pull

03A = Key retracts pull; pull trim

02AN = Dummy pull; narrow trim

03AN = Key retracts pull - pull trim; narrow trim

02BN = Dummy lever; narrow trim

08BN = Active lever, key locks/unlocks lever; narrow trim (handed) (classroom)

09BN = Lever trim active by key, locked when key removed; narrow trim (handed) (storeroom)

14BN = Active lever, no key cylinder; narrow trim (handed) (passage)

02D2W = Dummy lever, wide trim (two posts for use with narrow head device)

08D2W = Active lever, key locks/unlocks lever; wide trim (two posts for use with narrow head device) (classroom)

09D2W = Lever trim active by key, locked when key removed; wide trim (two posts for use with narrow head device) (storeroom)

14D2W = Active lever, no key cylinder; wide trim (two posts for use with narrow head device) (passage)

EU2W = Electric lock/unlock; wide trim (two posts for use with narrow head device) (24VDC & Fail Secure [FSE] Std.) - Specify handing (not field reversible). For 12VDC specify VDC. For Fail Safe specify FSA

CBK = Cylinder Bracket Kit. 03 only, plate & pull handle by others required

DOOR HANDING

RHR = Right hand reverse*

LHR = Left hand reverse

ELECTRIFIED FUNCTION

For no electrified function, leave blank

Standard

Select Arming Time and Auto Rearm

EA = Handwired Elec. Alarm (Formerly EH/EHXR)

ED = Elec. Dogging

EX = Request To Exit (Signal) Switch

EXV = Request To Exit (Current) Switch

Delayed Egress

Select Arming Delay, Delayed Egress Time and Silent Arming

EE = Delayed Egress

Delayed Egress Only (EE)

Comes standard with 90-800 power supply

Single = (1) 90-800 w/o bat backup

Pair = (1) 90-800 w/o bat backup

Weatherized Alarms

Select Arming Time and Auto Rearm

EBXW = Elec. Battery Operated Exit Alarm Weatherized

Latch Retraction

ER = Elec. Latch Retraction (silencer standard)

Latch Retraction Only (ER)

(Sold Separately)

Single = 81-800

Pair = 82-800

2 Single = 83-800

Weatherized Others

EXXW = Request To Exit (Signal) Switch Weatherized

EXVXW = Request To Exit (Current) Switch Weatherized

WDE = Weatherized Delayed Egress (see EasyKits)

DOOR HEIGHT/SVR HEIGHT

84" high door

96" high door

120" high door

DOOR WIDTH

36" wide door (3)*

48" wide door (4)

NOTE: * = default/standard

Fire-rated trims must be Fail Safe (FSA)

All fire-rated devices Less Dogging/fail safe

Also see online

version at

detex.com/hto

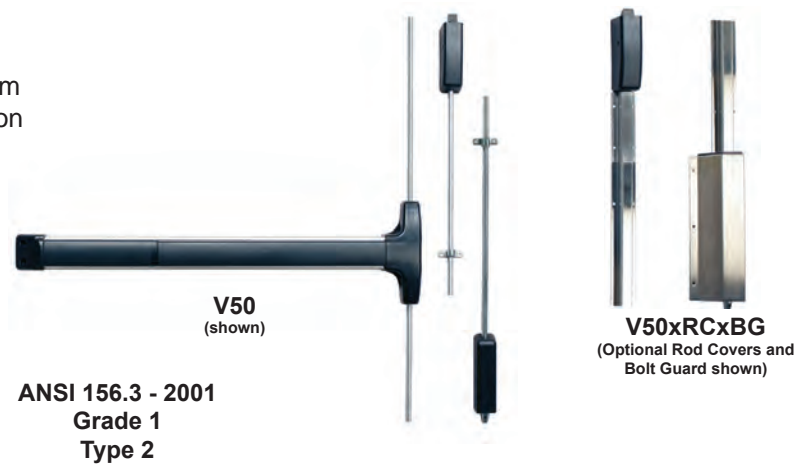
March 9, 2017

VALUE SERIES®

V50/V51 SERIES

Surface Vertical Rod Device

The **V50 Series, surface vertical rod exit device** and **V51 Series, top rod exit device** are heavy-duty **panic** and **fire exit hardware** for use on all types of double doors without a mullion. The patented mounting plate and strike locator system ensures the easiest and most accurate installation in an economical panic device.



Benefits

- Priced to be the best value for durable, attractive panic hardware
- Fast and accurate installation
- Fits any door in almost any décor
- Minimal door prep saves time and money
- Outside trims are easily changed or rekeyed without removing device from door

Features

- Patented mounting plate and strike locator system replaces paper templates
- Handed, field reversible
- Impact resistant ABS and anodized surfaces
- Stainless steel 3/4" deadlocking, Pullman-type top latch bolt
- Field sizable
- Modular design accepts a variety of outside trims and functions
- Bottom drop bolt, 5/8" dia. x 5-5/8" long secures into strike plate
- 1/8 turn dogging
- Standard and narrow stile pull trims available
- Heavy-duty angled end cap
- Heavy-duty ribbed aluminum rail extrusion

Mechanical Options

- V51 - Top Rod Only
- 84 - Fits 7' Door Height (Std.)
- For Narrow Stile that fits 2" Narrow stile glass door see V50xNS/ V51xNS
- F - 3-Hour Fire Rated
- 96 - Fits 8' Door Height
- 96 Surface top stike top (Std.)
- HD - Hex Dogging (Std.)
- 120 - Fits 10' Door Height
- 96B Bottom dust proof strike
- CD - Cylinder Dogging
- RC - Rod Covers (630 Brushed Stainless)
- Available with 628 base rail extrusion
- LD - Less Dogging
- BG - Bottom bolt and 12" ADA ramped cover (630 Brushed Stainless)
- Available with 711 base rail extrusion
- 36 - Fits 36" Door Widths (Std.)
- 48 - Fits 48" Door Widths

Electrical Options

- Electric Battery Alarm (EB)
 - Electric Hardwired Alarm with Remote Signal (EHxR)
- Refer to Electrified Options section for more information

- Delayed Egress (EE)

- Electric Hardwired Alarm (EH)

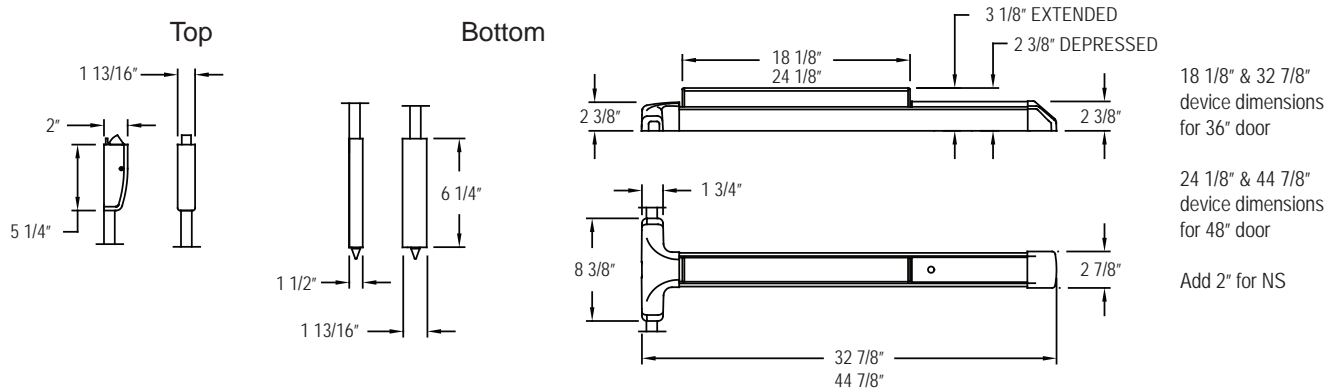
Accessories

- Outside Trim (see Value Series Trim Options)
- SN1 - Sex Nut Kit (2 per package)
- GB# - Glass Bead Kits
- NSK - Narrow Kit for 2" narrow stile glass door applications

Technical Information

- Door Stile - Fits 3-1/2" stile doors (Std.)
- Door Stile - Fits 2" narrow stile doors - specify NS
- Fasteners - Machine and Self-Drilling Screws standard

Dimensions



Listings and Approvals

Detex Limited Warranty

10 Year Mechanical/3 year Electrical Limited Manufacturer's Warranty



UL Listed Panic Hardware



UBC 97, Standard 7-2 and UL10B/UL10C for positive pressure



UL Listed Fire Exit Hardware for 3 hours, maximum 4'x10' single doors and 8'x10' pairs of doors



Meets NFPA 80 & 101 for Life Safety



Meets ADA requirements



California State Fire Marshall 4140-0127:105 and 3725-0127:108



ANSI/BHMA certified A156.3



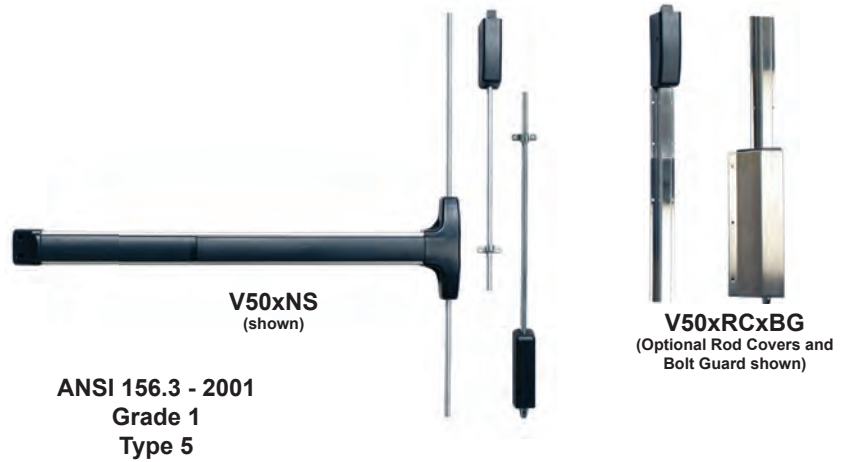
Detex Corporation
 302 Detex Drive
 New Braunfels, Texas 78130-3045 USA
 PH. (830) 629-2900
 (800) 729-3839
 FAX (800) 653-3839
<http://www.detex.com>
 USA Sales:
marketing@detex.com
 International Sales:
export@detex.com

VALUE SERIES®

V50xNS V51xNS

Narrow Stile Surface Vertical Rod Device

The **V50xNS Series, narrow stile surface vertical rod exit device** and **V51xNS Series, narrow stile top rod exit device** are economical **panic and fire exit hardware** for use on narrow stile double doors without a mullion. The patented mounting plate and strike locator system ensures the easiest and most accurate installation in an economical panic device.



Benefits

- Priced to be the best value for durable, attractive panic hardware
- Fast and accurate installation saves time and money
- Fits any door in almost any décor
- Minimal door prep saves time and money
- Outside trims are easily changed or rekeyed without removing device from door

Features

- Patented mounting plate and strike locator system replaces paper templates
- Handed, field reversible
- Impact resistant ABS and anodized surfaces
- Stainless steel 3/4" deadlocking, Pullman-type top latch bolt
- Field sizable
- Modular design accepts a variety of outside trims and functions
- Bottom drop bolt, 5/8" dia. x 5-5/8" long secures into strike plate
- 1/8 turn dogging
- Standard and narrow stile pull trims available
- Angled end cap
- Heavy-duty ribbed aluminum rail extrusion

Mechanical Options

- V51 - Top Rod Only
- 84 - Fits 7' Door Height (Std.)
- 96 Surface top stike top (Std.)
- F - 3-Hour Fire Rated
- 96 - Fits 8' Door Height
- 96B Bottom dust proof strike
- HD - Hex Dogging (Std.)
- 120 - Fits 10' Door Height
- Available with 628 base rail extrusion
- CD - Cylinder Dogging
- RC - Rod Covers (630 Brushed Stainless)
- Available with 711 base rail extrusion
- LD - Less Dogging
- BG - Bottom bolt and 12" ADA ramped cover (630 Brushed Stainless)

Electrical Options

- Electric Battery Alarm (EB)
- Electric Hardwired Alarm (EH)
- Electric Battery Alarm - Weatherized (EBxW)
- Electric Hardwired Alarm with Remote Signal (EHxR)
- Electric Dogging (ED)
- Electric Latch Retraction (ER)
- Delayed Egress (EE)

Refer to Electrified Options section for more information

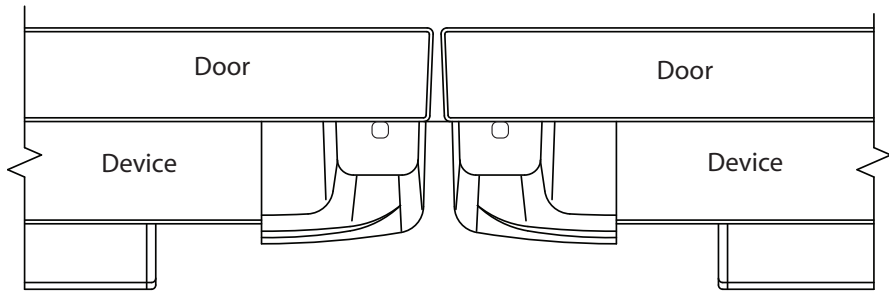
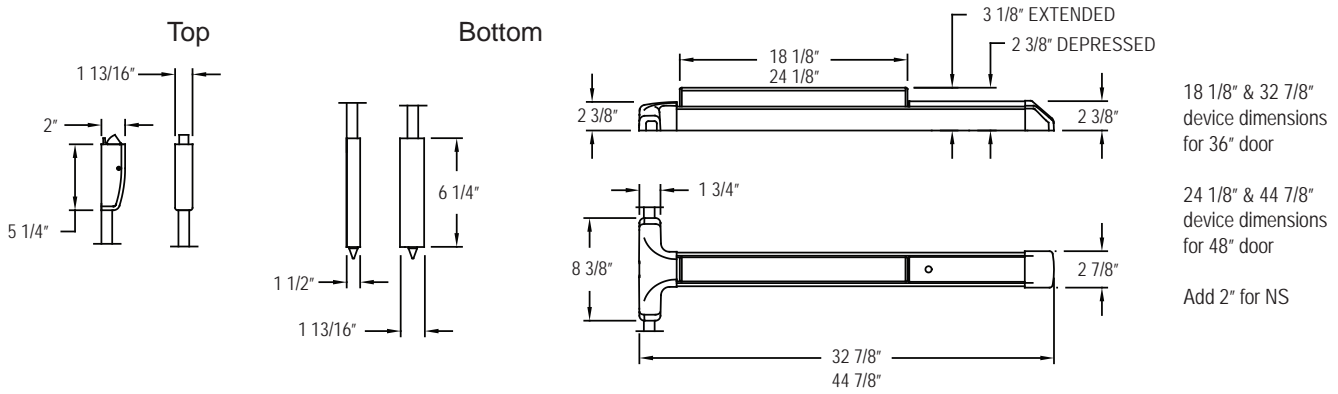
Accessories

- Outside Trim (see Value Series Trim Options)
- SN1 - Sex Nut Kit (2 per package)
- GB# - Glass Bead Kits

Technical Information

- Door Stile - Fits 3-1/2" stile doors (Std.)
- Door Stile - Fits 2" narrow stile doors - specify NS
- Fasteners - Machine and Self-Drilling Screws standard

Dimensions



Detex Limited Warranty
 10 Year Mechanical/3 year Electrical
 Limited Manufacturer's Warranty

Listings and Approvals



UL Listed Panic Hardware



UBC 97, Standard 7-2 and UL10B/UL10C for positive pressure



UL Listed Fire Exit Hardware for 3 hours, maximum 4'x10' single doors and 8'x10' pairs of doors



Meets NFPA 80 & 101 for Life Safety



Meets ADA requirements



California State Fire Marshall
 4140-0127:105 and
 3725-0127:108



ANSI/BHMA certified A156.3

Where Trust is Built™
DETEX®
Life Safety and Security Door Hardware

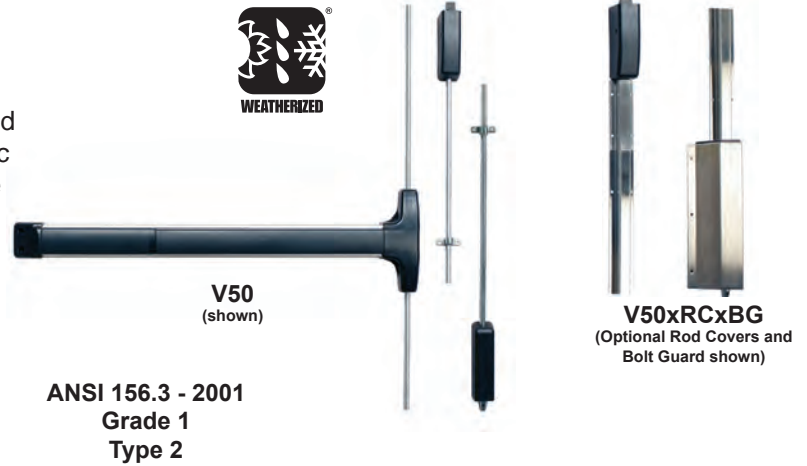
Detex Corporation
 302 Detex Drive
 New Braunfels, Texas 78130-3045 USA
 PH. (830) 629-2900
 (800) 729-3839
 FAX (800) 653-3839
<http://www.detex.com>
 USA Sales:
marketing@detex.com
 International Sales:
export@detex.com

VALUE SERIES®

V50xW/V51xW SERIES

Weatherized Surface Vertical Rod Device

The **Weatherized V50 Series, surface vertical rod exit device** and **V51 Series, top rod exit device** are heavy-duty **panic and fire exit hardware** for use on all types of double doors without a mullion. The patented mounting plate and strike locator system ensures the easiest and most accurate installation in an economical panic device. In addition to listing as UL panic and fire exit hardware device, this device conforms to UL1034-34 Temperature Section 34, UL1034-54 Dust Section 54, MIL-STD 810F, Method 506.4 (driving rain test); MIL-STD 810F, Method 509.4 (salt fog test) and UBC standard 7-2 (positive pressure).



Benefits

- Priced to be the best value for durable, attractive panic hardware
- Fast and accurate installation
- Fits any door in almost any décor
- Minimal door prep saves time and money
- Outside trims are easily changed or rekeyed without removing device from door

Features

- Patented mounting plate and strike locator system replaces paper templates
- Handed, field reversible
- Impact resistant ABS and anodized surfaces
- Stainless steel 3/4" deadlocking, Pullman-type top latch bolt
- Field sizable
- Modular design accepts a variety of outside trims and functions
- Bottom drop bolt, 5/8" dia. x 5-5/8" long secures into strike plate
- 1/8 turn dogging
- Standard and narrow stile pull trims available
- Heavy-duty angled end cap
- Heavy-duty ribbed aluminum rail extrusion

Mechanical Options

- V51 - Top Rod Only
- 84 - Fits 7' Door Height (Std.)
- NS - Fits 2" Narrow stile glass door
- F - 3-Hour Fire Rated
- 96 - Fits 8' Door Height
- 96 Surface top stike top (Std.)
- HD - Hex Dogging (Std.)
- 120 - Fits 10' Door Height
- 96B Bottom dust proof strike
- CD - Cylinder Dogging
- RC - Rod Covers (630 Brushed Stainless)
- Available with 628 aluminum base rail extrusion
- LD - Less Dogging
- BG - Bottom bolt and 12" ADA ramped cover (630 Brushed Stainless)
- Available with 711 black base rail extrusion
- 36 - Fits 36" Door Widths (Std.)
- 48 - Fits 48" Door Widths

Electrical Options

- EBxW - Exit Alarm 9V Battery Weatherized
 - EXVxW - Request to Exit Weatherized High Current/Voltage
 - EXxW - Request to Exit Weatherized
- Refer to Electrified Options section for more information

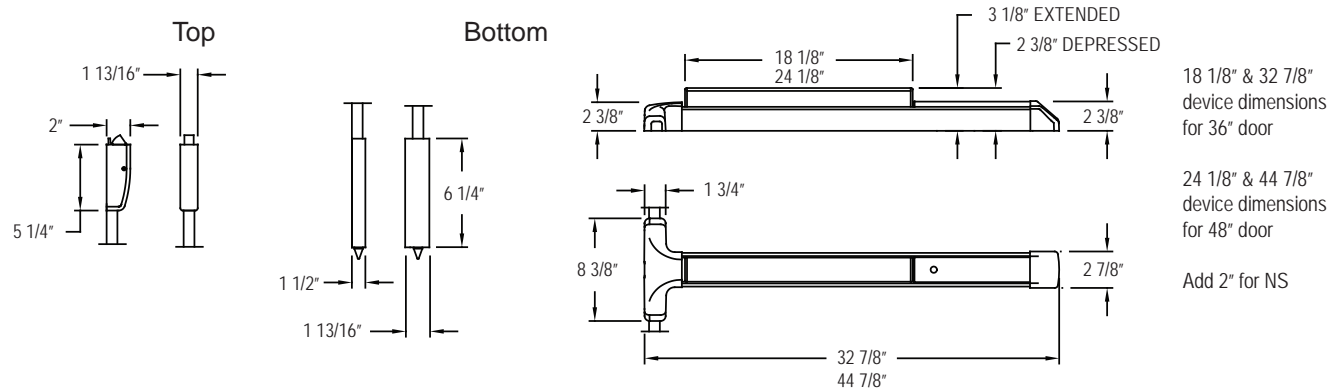
Accessories

- Outside Trim (see Value Series Trim Options)
- SN1 - Sex Nut Kit (2 per package)
- GB# - Glass Bead Kits
- NSK - Narrow Kit for 2" narrow stile glass door applications

Technical Information

- Door Stile - Fits 3-1/2" stile doors
- Door Stile - Fits 2" narrow stile doors - specify NS
- Fasteners - Machine and Self-Drilling Screws standard

Dimensions



Listings and Approvals

- UL Listed Panic Hardware
- UL Listed Fire Exit Hardware for 3 hours, maximum 4'x10' single doors and 8'x10' pairs of doors
- UL1034-34 Temperature Section 34 [Temperature Range -31° F (-35° C) to 150° F (+66° C)]
- UL1034-54 Dust Section 54
- ANSI/BHMA certified A156.3
- Meets NFPA 80 & 101 for Life Safety



Meets ADA requirements



UBC 97, Standard 7-2 and UL10B/UL10C for positive pressure



California State Fire Marshal
4140-0127:105 and
3725-0127:108

MIL-STD 810F (G), Method 509.4 (Salt Fog Test)
MIL-STD 810F (G), Method 506.4 (Driving Rain), Procedure 1

Detex Limited Warranty

10 Year Mechanical/3 year Electrical
Limited Manufacturer's Warranty



Detex Corporation
302 Detex Drive
New Braunfels, Texas 78130-3045 USA
PH. (830) 629-2900
(800) 729-3839
FAX (800) 653-3839
<http://www.detex.com>
USA Sales:
marketing@detex.com
International Sales:
export@detex.com



BHMA Functions

01 - Exit only, no trim

02 - Entrance by trim when actuating bar is locked down

03 - Entrance by trim when latch bolt is released by key. Key removable only when locked.

08 - Entrance by knob or lever. Key locks or unlocks knob or lever.

09 - Entrance by knob or lever only when released by key. Key removable only when locked.

14 - Entrance by trim when latch bolt is released by knob, lever. Always active, no cylinder.

EU2W - Electric Unlock Trim (used on doors with 4" minimum stile width, with V40/V50/V51)

VALUE SERIES®

OUTSIDE TRIM DESIGNS

Assorted outside trims provide security for all types of installations. Built to be as durable as the panic devices, these heavy-duty trims will stand up to heavy use and abuse. The versatile design of the trims, combined with the device mounting plate, makes changing functions as simple as replacing the outside trim. This can easily be done without removing the exit device from the door. These trims can be used on V40 Series Rim and V50 Series Surface Vertical Rods. Detex uses the BHMA functions/descriptions for all trims.

A and AN TRIM

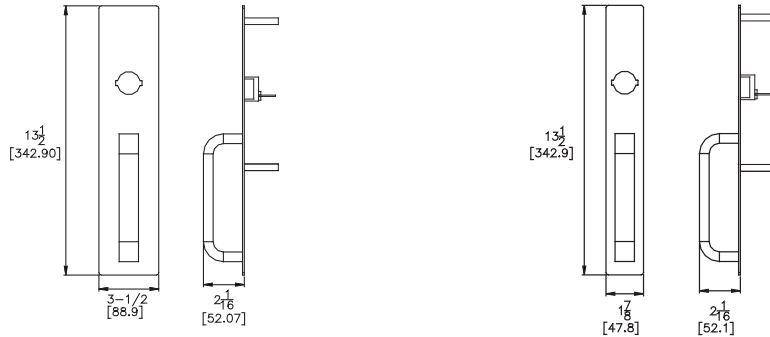
S Pull Standard

NOTE: Available in 689 or 693 finishes



A Trim Covers 161 Prep

AN Trim Does Not Cover 161 Prep



BN, EU2W and MN Trim

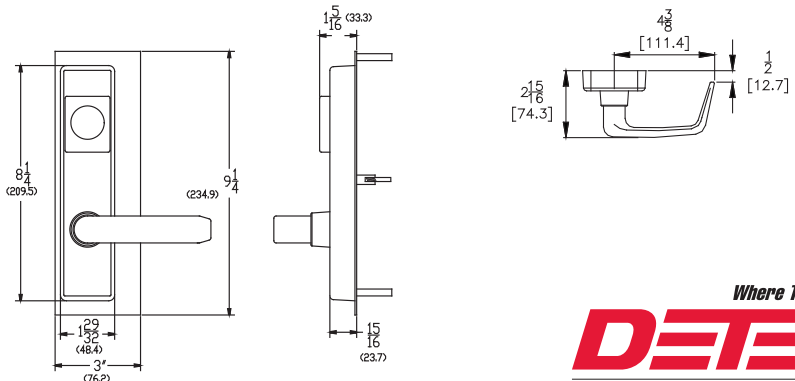
S Lever Standard

BN and MN Trim Available in 689 or 693 finishes



161 Prep Cover Plate Standard

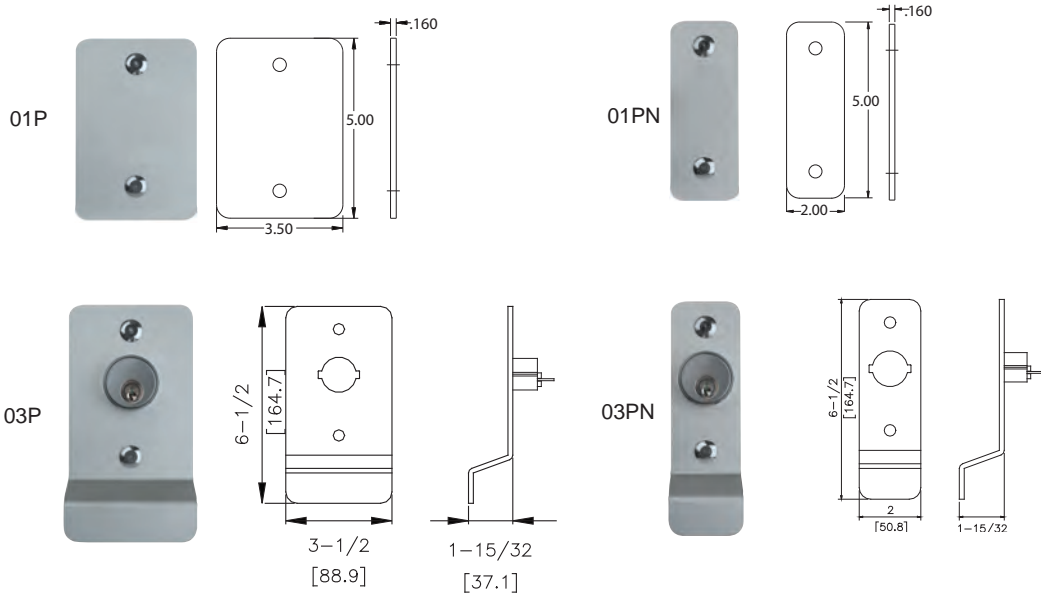
S Lever



P and PN Trim

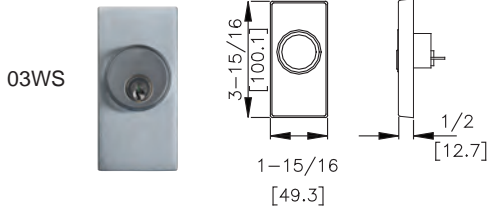
Available in
628 & 711 finishes

P Trim covers
161 Prep

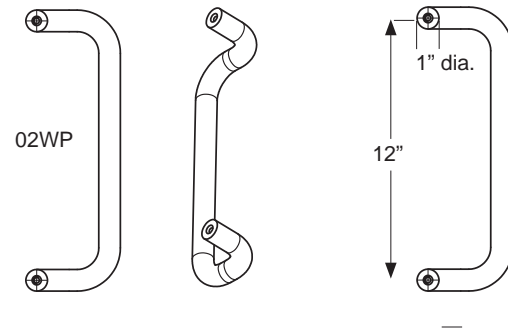


WS Trim

Available in
605, 606, 611,
612, 613, 629
and 630 finishes



WP Trim



BHMA Function/Description

- 02 - Entrance by trim when actuating bar is locked down (dummy trim)
- 03 - Entrance by trim when latch bolt is released by key. Key removable only when locked.
- 08 - Entrance by knob or lever. Key locks or unlocks knob or lever.
- 09 - Entrance by knob or lever only when released by key. Key removable only when locked.
- 14 - Entrance by trim when latch bolt is released by knob or lever. Always active, no cylinder.

Finishes

605 / US3	Polished Brass	629 / US32	Polished Stainless Steel
606 / US4	Brushed Brass	630 / US32D	Brushed Stainless Steel
611 / US9	Polished Bronze	689	Aluminum Painted
612 / US10	Brushed Bronze	693	Black Painted
613 / US10B	Oil Rubbed Bronze	711	Black Anodized

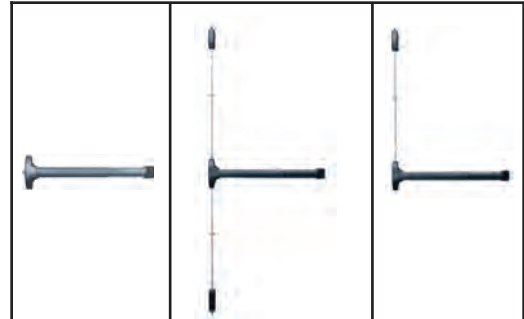
Where Trust is Built™
DETEX®
Life Safety, Security and Security Assurance

Technical Information

- A/AN Trims are Steel Stampings
- BN Trims are Zinc Castings
- P/PN Trims are Aluminum Stampings
- WS Trims are forged Brass
- Value Series trims configured for use with BP2 and BP8 (standard)
- When ordered with device, trims will match mounting plate specified

Detex Corporation
302 Detex Drive
New Braunfels, Texas 78130-3045 USA
PH. (830) 629-2900
(800) 729-3839
FAX (800) 653-3839
<http://www.detex.com>
USA Sales:
marketing@detex.com
International Sales:
export@detex.com

Outside Trim Functions



ANSI Function	ANSI Type 1	ANSI Type 2	ANSI Type 2
Exit Only	V40 FV40 HV40 FHV40	V50 FV50	V51 FV51
02	V4002 FV4002 HV4002 FHV4002	V5002 FV5002	V5102 FV5102
Dummy Trim, No Cylinder	02A 02AN	02A 02AN	02A 02AN
03	V4003 FV4003 HV4003 FHV4003	V5003 FV5003	V5103 FV5103
Entrance by trim when latch bolt is retracted by key. Key removable only when locked.	03A* 03AN* 03P* 03PN* 03WS*	03A* 03AN* 03P* 03PN* 03WS*	03A* 03AN* 03P* 03PN* 03WS*
08	V4008 FV4008 HV4008 FHV4008	V5008 FV5008	V5108 FV5108
Entrance by lever. Key locks or unlocks lever.	08BN**	08BN**	08BN**
09	V4009 FV4009 HV4009 FHV4009	V5009 FV5009	V5109 FV5109
Entrance by lever trim activated by key; locked when key removed.	09BN**	09BN**	09BN**
14	V4014 FV4014 HV4014 FHV4014	V5014 FV5014	V5114 FV5114
Entrance by Lever. Lever operable at all times.	14BN	14BN	14BN

Prefix F denotes UL Listed Fire Exit Hardware
Prefix H denotes Hurricane Listed Rim Device

* Rim cylinder required
** Mortise cylinder required



Electrified Options Definitions

V40xEA	Hardwired Exit Alarm
V40xEB	Exit Alarm with 9V Battery
V40xEBxW	Exit Alarm with 9V Battery - Weatherized
V40xED	Electric Dogging
V40xEE	Electric Delayed Egress
V40xEI	Electric Integration - Includes ES Switches, piezo, key switch and 2 LEDs
V40xEM	Electric Delayed Egress with Magnetic Lock
V40xER	Electric Latch Retraction
V40xES	Electric Switching
V40xEX	Request to Exit Signalling
V40xEXxW	Request to Exit Signalling - Weatherized
V50xEA	Hardwired Exit Alarm
V50xEB	Exit Alarm with 9V Battery
V50xEBxW	Exit Alarm with 9V Battery - Weatherized
V50xEE	Electric Delayed Egress
V50xER	Electric Latch Retraction
V50xERxW	Electric Latch Retraction - Weatherized

All Electrified Options are available on Fire Exit Hardware and Hurricane Rated Devices

VALUE SERIES®

Rim Exit Device with Alarm (V40xEA) (Formerly EH/EHxR)

The V40xEA device option is designed for doors that require a hardwired, alarmed panic device with remote signal and bypass. When the alarm sounds a remote signal can be sent to turn on a remote horn, strobe or other security device. The alarm can also be bypassed using a remote button, keypad, card reader or other access control device. The alarm, with approximately 100dB will sound when someone attempts to exit, alerting management that an unauthorized exit has occurred. With electric switching that monitors the pushpad, the V40xEA provides a high level of security while also meeting all life safety concerns.



V40xEA
(Shown with mortise cylinder - sold separately)

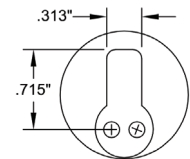


V40xEAx711xBLK
(Shown with mortise cylinder - sold separately)



V40xEAx711
(Shown with mortise cylinder - sold separately)

Wide Stile shown, for Narrow Stile, specify NS Option (for use on 36" and 48" doors with 2" stiles).



Mortise Cylinder with standard Yale cam required

Benefits

- Priced to be the best value for durable and attractive loss prevention panic hardware
- Reduces employee and customer theft
- Fast and easy installation
- Secure installation prevents mistakes, enhances security and reduces maintenance
- Durable design provides years of trouble free protection, saving on replacement costs
- Fits almost any door in any décor
- Controls foot traffic, deters unauthorized exits, prevents loss and meets building code requirements

Features

- V40xEA - Alarmed Exit Device powered by 12V or 24 AC/DC power, with 9-volt battery backup
- Remote Signal - Form C signaling when alarm sounds
- Remote Bypass input allows authorized use without an alarm
- Stainless steel, 3/4" deadlocking Pullman type latch bolt
- Non-handed, field sizeable
- 100 decibel alarm
- Heavy duty angled end cap
- 1/8 turn cylinder dogging
- Single mortise cylinder (sold separate) provides arming and dogging
- Accommodates all types of mortise cylinders with a standard Yale cam (collar required for 7-pin IC cylinders)
- Heavy duty ribbed aluminum rail extrusion
- Visual and audible arming indicators
- Delayed arming allows arming after door closes
- Patented back plate and plastic strike locator provide paperless template for perfect alignment with door and frame
- State of art electronics offer reliable security and instantaneous alarm
- Field selectable key rearm or 2 min. auto rearm
- Armed and disarmed field selectable status indicator

Mechanical Options

- CD - Cylinder Dogging (Std.)
- LD - Less Dogging (mortise cylinder required for arming)
- IC7 - 7 pin small format interchangeable cylinder housing pre-installed at factory
- MC65 - Mortise cylinder pre-installed at factory
- KS - Key Stop - key removed only when armed
- 36 - Fits 36" Door Width (Std.)
- 48 - Fits 48" Door Width
- F - 3-Hour Fire Rated
- H - Hurricane Rated
- 99 - Surface Strike (Std.)
- 98 - Semi Mortise Strike
- Available with 628 Base Rail Extrusion (Std.)
- Available with 711 Base Rail Extrusion

Electrical Options

- LBM - Latch Bolt Monitoring
- SI - Status Indicator LED's indicate armed status
- 1, 5 second arming delay (15 second - standard)
- 10 or 20 minute auto rearm (2 minute - standard)

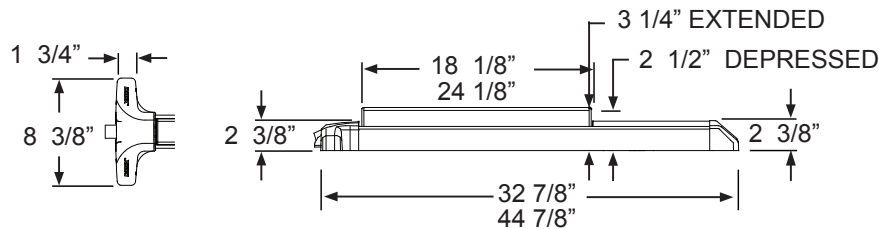
Accessories

- SN1 - Sex Nut Fasteners
- NSK - Narrow Stile Conversion Kit - Converts V40 to fit narrow stile glass door applications
- Outside Trim (see Value Series Trim Options)

Technical Information

- Door Types - Wood, Hollow Metal, Fiberglass or Aluminum
- Door Thickness - Fits standard 1-3/4" - 2-1/4" (for other thicknesses contact factory)
- Machine and Self Drilling Screws (std.)
- Single Door Stile - Fits 3-1/2" minimum stile doors with 99 surface strike (std.) with mullion
- Pairs of Doors Stile - Fits 4" minimum stile doors with 99 surface strike
- Door Stile - Fits 2" narrow stile doors - specify NS
- 94 Double door strike for double door without mullion
- Optional Sex Nuts or Security Torx Screws available

Dimensions

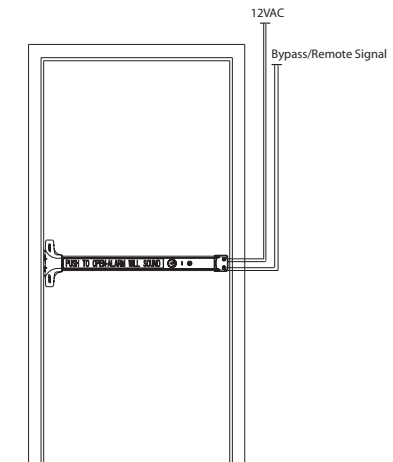


18 1/8" & 32 7/8" device dimensions for 36" door

24 1/8" & 44 7/8" device dimensions for 48" door

Add 2" for NS

Riser Diagram



Listings and Approvals



UL Listed Panic Hardware



IBC 97, Standard 7-2 and UL10B/UL10C for positive pressure



UL Listed Fire Exit Hardware for 3 hours, maximum 4'x10' single doors and pairs of 4'x8' with F90KR keyed removable mullion



Meets NFPA 80 & 101 for Life Safety



Meets ADA requirements



Miami-Dade County, Florida
NOA 15-0415.08

State of Florida Approval
FL9052



ANSI/BHMA certified A156.3



California State Fire Marshall
4140-0127:105 and
3725-0127:108

Detex Limited Warranty

10 Year Mechanical/3 Year Electrical
Limited Manufacturer's Warranty

Where Trust is Built™
DETEx®
Life Safety, Security and Security Assurance

Detex Corporation
302 Detex Drive
New Braunfels, Texas 78130-3045 USA
PH. (830) 629-2900
(800) 729-3839
FAX (800) 653-3839
<http://www.detex.com>
USA Sales:
marketing@detex.com
International Sales:
export@detex.com

VALUE SERIES®

Alarmed Rim Exit Device (V40xEB)

The V40xEB is designed for **primary and secondary exits** that require an **alarmed panic device**. The **100dB alarm** will sound when someone attempts to exit, alerting management to the unauthorized exit. Available in various configurations, the V40xEB provides security while meeting all life safety concerns, offering an exceptional value.



V40xEB
(Shown with factory installed mortise cylinder - sold separate)



V40xEBx711xBLK
(Shown with factory installed mortise cylinder - sold separate)



V40xEBx711
(Shown with factory installed mortise cylinder - sold separate)

Wide Stile shown, for Narrow Stile, specify NS Option
(for use on 36" and 48" doors with 2" stiles).

Benefits

- Priced to be the best value for durable and attractive loss prevention panic hardware
- Reduces employee and customer theft
- Fast and easy installation
- Secure installation prevents mistakes, enhances security and reduces maintenance
- Durable design provides years of trouble-free protection, saving on replacement costs
- Fits almost any door in any décor
- Controls foot traffic, deters unauthorized exits, prevents loss and meets building code requirements

Features

- V40xEB - Alarmed Exit Device powered by standard 9-volt battery
- Stainless steel, 3/4" deadlocking Pullman-type latch bolt
- 100 decibel alarm
- 1/8 turn cylinder dogging
- Heavy-duty angled end cap
- Heavy-duty ribbed aluminum rail extrusion
- Accommodates all types of mortise cylinders with a standard Yale cam (collar required for 7-pin IC cylinders)
- Patented back plate and plastic strike locator provide paperless template for perfect alignment with door and frame
- Single mortise cylinder (sold separate) provides arming and dogging
- State-of-art electronics offer reliable security and instantaneous alarm
- Field selectable key rearm or 2 min. auto rearm
- Visual and audible arming indicators
- Armed and disarmed field selectable status indicator

Mechanical Options

- CD - Cylinder Dogging (Std.)
- LD - Less Dogging
- 36 - Fits 36" Door Width (Std.)
- 48 - Fits 48" Door Width
- F - 3-Hour Fire Rated
- H - Hurricane Rated
- 99 - Surface Strike (Std.)
- 98 - Semi Mortise Strike
- Available with 628 Base Rail Extrusion (Std.)
- Available with 711 Base Rail Extrusion

Electrical Options

- R - Remote Signal (Form C signaling when alarm sounds) plus Remote Bypass Input
- LBM - Latch Bolt Monitoring
- Other Value Series Alarmed Panic Devices Include:
 - Weatherized Alarmed Device powered by standard 9-volt battery (EBxW)
 - Delayed Egress with Magnetic Lock (EM)
- Delayed Egress (EE)

Accessories

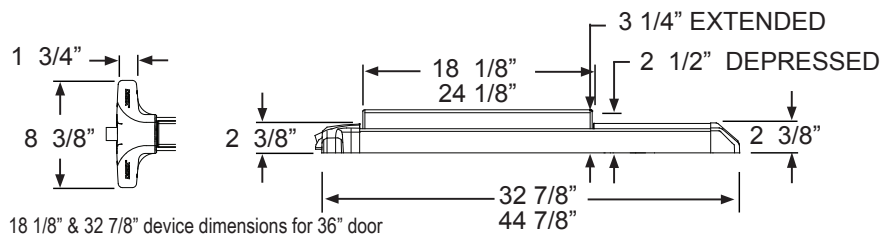
- SN1 - Sex Nut Fasteners
- KS - Key Stop - key removed only when armed
- NSK - Narrow Kit - for 2" narrow stile glass door applications
- Optional Cylinder Nut Wrench P/N: 103779
- Outside Trim (see Value Series Trim Options)



Technical Information

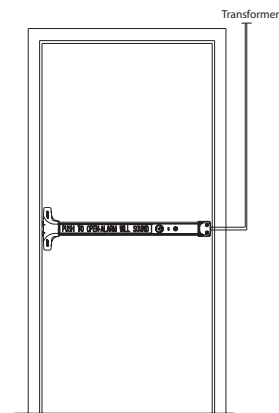
- Door Types - Wood, Hollow Metal, Fiberglass
- Aluminum doors need to be ordered as a Narrow Stile (NS)
- Door Thickness - Fits standard 1-3/4" - 2-1/4"
- Single Door Stile - Fits 3-1/2" minimum stile doors with 99 surface strike (Std.)
- Pairs of Doors Stile - Fits 4" minimum stile doors with 99 surface strike
- Door Stile - Fits 2" narrow stile doors - specify NS
- Machine and Self-Drilling Screws (Std.)
- Optional Sex Nuts or Security Torx Screws available

Dimensions



18 1/8" & 32 7/8" device dimensions for 36" door
 24 1/8" & 44 7/8" device dimensions for 48" door
 Add 2" for NS

Riser Diagram



Listings and Approvals



UL Listed Panic Hardware



UBC 97, Standard 7-2 and UL10B/UL10C for positive pressure



UL Listed Fire Exit Hardware for 3 hours, maximum 4'x10' single doors and pairs of 4'x8' with F90KR keyed removable mullion



Meets NFPA 80 & 101 for Life Safety



Meets ADA requirements



Miami-Dade County, Florida
 NOA 15-0415.08

State of Florida Approval
 FL9052



ANSI/BHMA certified A156.3



California State Fire Marshall
 4140-0127:105 and
 3725-0127:108

Detex Limited Warranty

10 Year Mechanical/3 Year Electrical
 Limited Manufacturer's Warranty

Where Trust is Built™
DETEX®
Life Safety, Security and Security Assurance

Detex Corporation
 302 Detex Drive
 New Braunfels, Texas 78130-3045 USA
 PH. (830) 629-2900
 (800) 729-3839
 FAX (800) 653-3839
<http://www.detex.com>
 USA Sales:
marketing@detex.com
 International Sales:
export@detex.com

VALUE SERIES®

Weatherized Alarmed Rim Exit Device (V40xEBxW)

The **V40xEBxW** is designed for doors and gates requiring a stand alone, battery powered, alarmed, weatherized panic device. The **100dB alarm** will sound when someone attempts to exit, alerting management to the unauthorized exit. The internal alarm with both remote bypass and remote signaling capabilities is ideal for applications where both security and life safety are a concern. In addition to listing as UL panic and fire exit hardware device, this device conforms to UL1034-34 Temperature Section 34, UL1034-54 Dust Section 54, MIL-STD 810F, Method 506.4 (driving rain test); MIL-STD 810F, Method 509.4 (salt fog test) and UBC standard 7-2 (positive pressure).



V40xEBxW
(Shown with mortise cylinder - sold separately)



V40xEBxWx711xBLK
(Shown with mortise cylinder - sold separately)



V40xEBxWx711
(Shown with mortise cylinder - sold separately)

Wide Stile shown, for Narrow Stile, specify NS Option
(for use on 36" and 48" doors with 2" stiles).

Benefits

- Weather resistant loss prevention hardware designed for use in outdoor or wet environments
- Patented back plate and plastic strike locator designed for perfect alignment with door and frame without paper template
- Fast, easy, trouble-free installation prevents costly mistakes and enhances security
- Provides reliable loss prevention protection 24 hours a day
- Controls foot traffic to deter unauthorized exits and reduces employee and customer theft
- Rugged, durable, corrosion-resistant design reduces maintenance
- Aesthetically pleasing design for almost any door or gate in any décor

Features

- Powered by standard 9-volt battery
- Stainless steel, self-latching bolt
- Angled end cap deflects damage
- Tamper-resistant, immersion-proof security switches
- Covers a 161 door prep
- Plated steel, anodized aluminum and ABS components endure heavy use and exposure to the elements
- Built-in inhibitors prevent ABS fading and weakening, typically caused by exposure to extreme temperatures and UV rays
- 100dB alarm
- Indefinite alarm requiring manual rearm or variable 2 min. alarm duration with auto re-arm
- Cylinder dogging standard (can also be ordered less dogging)
- Visual and audible arming indicators
- Tamper-resistant housing protects electronics, battery and internal hardware, preventing manipulation
- Tapered design sheds rainwater
- Visual and audible low battery alert
- Armed and disarmed field selectable status indicator

Mechanical Options

- CD - Cylinder Dogging (Std.)
- LD - Less Dogging
- 36 - Fits 36" Door Width (Std.)
- 48 - Fits 48" Door Width
- F - 3-Hour Fire Rated
- H - Hurricane Rated
- 99 - Surface Strike (Std.)
- 98 - Semi Mortise Strike
- Available with 628 Base Rail Extrusion (Std.)
- Available with 711 (Black) Base Rail Extrusion

Electrical Options

- Remote Signal Form C signaling when alarm sounds and remote bypass input allows authorized use without an alarm - standard feature

Other Weatherized Detex Products Include:

- Request to Exit Signalling Weatherized (EXxW)

- GTPLKIT - Adjustable Gate Plate

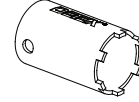
- Weatherized Delayed Egress EasyKit (WDEx10)

Accessories

- KS - Key Stop - key removed only when armed
- Outside Trim (see Value Series Trim Options)

- NSK - Narrow Stile Conversion Kit - Converts V40 to fit narrow stile glass door applications
- SN1 - Sex Nut Fasteners

- Optional Cylinder Nut Wrench P/N: 103779



Technical Information

- Door Types - Wood, Hollow Metal, Fiberglass
- 2" Aluminum doors need to be ordered as a narrow stile (NS)
- Door Thickness - Fits standard 1-3/4" - 2-1/4"
- Single Door Stile - Fits 3-1/2" minimum stile doors with 99 surface strike (Std.)

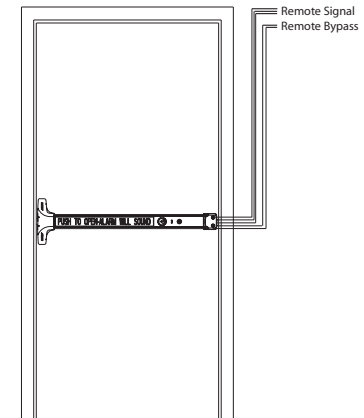
- Pairs of Doors Stile - Fits 4" minimum stile doors with 99 surface strike
- Door Stile - Fits 2" narrow stile doors - specify NS
- Exceeds MIL810F Method 509.4 Salt Fog Test (simulating effects of corrosive environments similar to atmospheric conditions found in coastal regions)

- Exceeds MIL810F Method 506.4 Driving Rain (simulating 4"/hr. rain w/40mph wind)

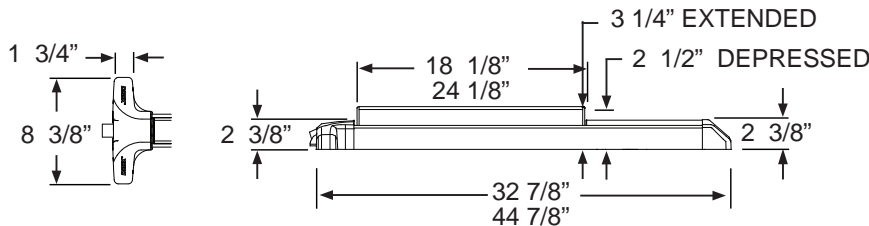
- Machine and Self Drilling Screws (Std.)

- Optional Sex Nuts or Security Torx Screws available

Riser Diagram



Dimensions



18 1/8" & 32 7/8" device dimensions for 36" door

24 1/8" & 44 7/8" device dimensions for 48" door

Add 2" for NS

Listings and Approvals



UL Listed Panic Hardware



UBC 97, Standard 7-2 and UL10B/UL10C for positive pressure



UL Listed Fire Exit Hardware for 3 hours, maximum 4'x10' single doors and pairs of 4'x8' with F90KR keyed removable mullion



Meets NFPA 80 & 101 for Life Safety

UL1034-34 Temperature Section 34 [Temperature Range -31°F (-35° C) to 150° F (+66° C)]



Miami-Dade County, Florida
NOA 15-0415.08

UL1034-54 Dust Section 54

State of Florida Approval
FL9052



Meets ADA requirements



California State Fire Marshall
4140-0127:105 and
3725-0127:108

MIL-STD 810F (G), Method 509.4 (Salt Fog Test)



ANSI/BHMA certified A156.3

MIL-STD 810F (G), Method 506.4 (Driving Rain), Procedure 1

Detex Limited Warranty

10 Year Mechanical/3 Year Electrical
Limited Manufacturer's Warranty

Where Trust is Built™
DETEX®
Life Safety and Security Door Hardware

Detex Corporation
302 Detex Drive
New Braunfels, Texas 78130-3045 USA
PH. (830) 629-2900
(800) 729-3839
FAX (800) 653-3839
<http://www.detex.com>
USA Sales:
marketing@detex.com
International Sales:
export@detex.com

VALUE SERIES®

Electric Dogging (V40xED)

The V40xED Electric Dogging is designed for entrance and exit doors with panic or fire exit hardware. When energized, and after a pushpad is depressed, the pushpad and the latch bolt remain retracted, providing push-pull operation. Relocking all devices is accomplished by using a single switch or through a fire alarm input.



Wide Stile shown, for Narrow Stile, specify NS Option
(for use on 36" and 48" doors with 2" stiles).

Benefits

- Priced to be the best value for durable and attractive panic hardware
- Pushpad remains depressed while latch is retracted, preventing unnecessary cycling, for quieter operation
- While dogged, pushpad remains out of the path of egress, removing the typical catch point found with other exit devices
- One-touch operation turns any secured door or group of doors into push-pull openings and releases them as required
- Door remains locked until first activation of pushpad (exit) allows remote activation of dogging mode
- Allows remote deactivation of dogging for instantaneous lockdown mode
- Fits almost any door in any décor
- Simple mounting and wiring provide quick, trouble-free installation, saving time and money
- Economical alternative to latch retraction when only dogging is required
- Rugged, durable design reduces maintenance
- Secure installation prevents costly mistakes and enhances security

Features

- Tamper resistant housing
- Maintained latch and pushpad retraction
- Operates on 24VAC or 24VDC
- Continuous duty magnet

Mechanical Options

- F - 3-Hour Fire Rated
- H - Hurricane Rated
- 36 - Fits 36" Door Width (Std.)
- 48 - Fits 48" Door Width
- 99 - Surface Strike (Std.)
- 98 - Semi Mortise Strike
- Available with 628 Base Rail Extrusion (Std.)
- Available with 711 Base Rail Extrusion

Electrical Options

- EX - Request to Exit Switch
- 90-800 - 24VDC filtered, regulated with fire loop connection
- 80-800 Power Supply - 24VDC filtered, regulated with fire loop connection with battery charging circuit
- PP-5152-2 24VAC transformer

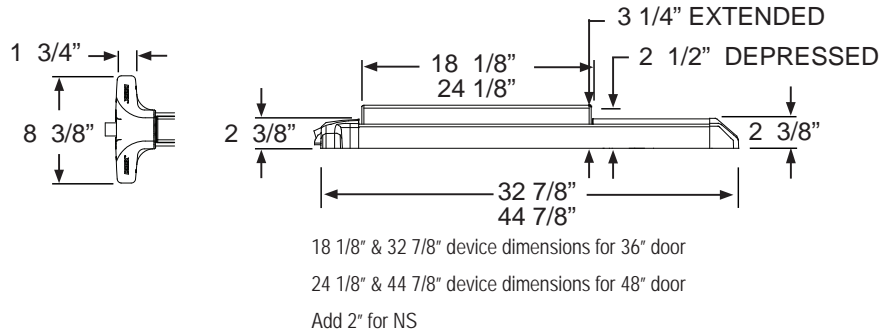
Accessories

- SN1 - Sex Nut Fasteners
- FC - Flex Conduit and End Cap
- PT5 - Power Transfer
- EWH8-626 - Electric Hinge
- NSK - Narrow Stile Conversion Kit - Converts V40 to fit narrow stile glass door applications
- Outside Trim (see Value Series Trim Options)

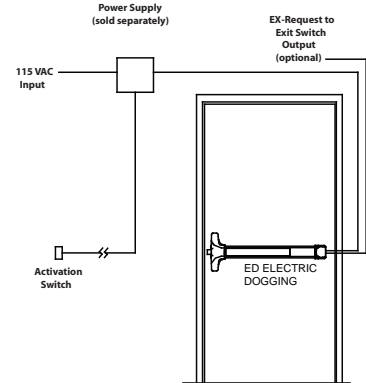
Technical Information

- Door Types - Wood, Hollow Metal, Fiberglass or Aluminum
- Door Thickness - Fits standard 1-3/4" - 2-1/4"
- Machine and Self Drilling Screws (Std.)
- Single Door Stile - Fits 3-1/2" minimum stile doors with 99 surface strike (Std.)
- Pairs of Doors Stile - Fits 4" minimum stile doors with 99 surface strike
- Door Stile - Fits 2" narrow stile doors - specify NS
- Optional Sex Nuts or Security Torx Screws available

Dimensions



Riser Diagram



Listings and Approvals



UL Listed Panic Hardware



ULC 97, Standard 7-2 and UL10B/UL10C for positive pressure



UL Listed Fire Exit Hardware for 3 hours, maximum 4'x10' single doors and pairs of 4'x8' with F90KR keyed removable mullion



Meets NFPA 80 & 101 for Life Safety



Meets ADA requirements



Miami-Dade County, Florida
 NOA 15-0415.08

State of Florida Approval
 FL9052



ANSI/BHMA certified A156.3



California State Fire Marshall
 4140-0127:105 and
 3725-0127:108

Detex Limited Warranty

10 Year Mechanical/3 Year Electrical
 Limited Manufacturer's Warranty

Where Trust is Built™

DETEX®

Life Safety and Security Door Hardware

Detex Corporation
 302 Detex Drive
 New Braunfels, Texas 78130-3045 USA

PH. (830) 629-2900

(800) 729-3839

FAX (800) 653-3839

<http://www.detex.com>

USA Sales:

marketing@detex.com

International Sales:

export@detex.com

VALUE SERIES®

Delayed Egress Rim Exit Device (V40xEE)

The V40xEE, designed for primary and secondary exits, provides a secure 15-second delay and a 100dB alarm when someone attempts to exit. This 15-second delay allows management time to respond before someone exits and the alarm deters the exit from occurring. Per life safety requirements, the V40xEE must be provided with a fire alarm input, thus providing a system override during a fire emergency. The V40xEE provides security while meeting all life safety concerns, offering an exceptional value.



V40xEE
(Shown with mortise cylinder - sold separately)

**PUSH UNTIL ALARM SOUNDS
DOOR CAN BE OPENED IN 15 SECONDS**

Wide Stile shown, for Narrow Stile, specify NS Option
(for use on 36" and 48" doors with 2" stiles).



V40xEEx711xBLK
(Shown with mortise cylinder - sold separately)



Power Supply Included as standard feature



Shown with factory installed mortise cylinder



V40xEEx711
(Shown with mortise cylinder - sold separately)

Benefits

- Priced to be the best value for durable and attractive delayed egress panic hardware
- Reduces employee and customer theft
- Fast and easy installation
- Secure installation prevents mistakes, enhances security and reduces maintenance
- Durable design provides years of trouble-free protection, saving on replacement costs
- Fits almost any door in any décor
- Controls foot traffic, deters unauthorized exits, prevents loss and meets building code requirements

Features

- Powered by a 24VDC filtered and regulated power supply
- Power supply delivers a constant 24VDC of filtered and regulated voltage at a rated load of 1A
- Stainless steel, 3/4" deadlocking Pullman-type latch bolt
- Non-handed, field sizeable
- 100dB alarm
- 1/8 turn cylinder dogging
- Sturdy angled end-cap
- Heavy-duty ribbed aluminum rail extrusion
- Accommodates all types of mortise cylinders with a standard Yale cam
- Patented mounting plate and strike locator system provide perfect alignment with door and frame
- Single mortise cylinder provides arming and dogging - can be factory installed
- State-of-the-art electronics offer reliable security and instantaneous alarm
- Visual and audible arming indicators
- 9V battery provides alarm function only in case of power failure
- Armed and disarmed field selectable status indicator
- Delayed arming allows arming after door closes
- Remote signal output and remote bypass input standard
- Alarm triggered by latch bolt movement
- Fire alarm input can be connected at power supply
- Includes delayed egress panic bar, 24VDC filtered and regulated power supply, door sign and 3' conduit loop

Electrical Options

- 30 - 30 second delayed egress available (must have letter from AHJ)
- Other Value Series Delayed Egress Panic Devices Include:
 - PT5 - Power Transfer
 - Delayed Egress with Electromagnetic Lock (EM)
 - AL18 - Surface Armored Loop (Door/Frame mounted)
 - SI- Status Indicators - Armed/Disarmed
- EE05 Options Package - Non-extended bypass, alarm sounds if door left open / silent arming / reset alarm with access control, or reset alarm with key only

Where Trust is Built™
DETEX®
Life Safety and Security Door Hardware

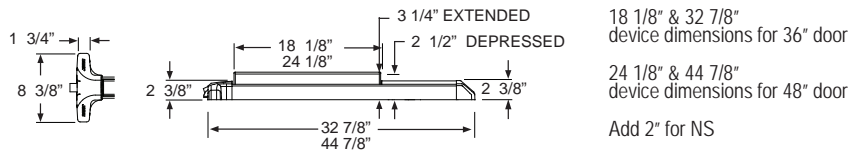
Mechanical Options

- MC65 - Factory Installed Mortise cylinder
- IC7 - Factory Installed IC Housing
- F - 3-Hour Fire Rated
- H - Hurricane Rated
- CD - Cylinder Dogging (Std.)
- LD - Less Dogging
- KS - Key Stop (Key removed only when armed)
- 36" Door Width (Std.)
- 48" Door Width
- 99 - Surface Strike (Std.)
- 98 - Semi Mortise Strike
- Available with 628 Base Rail Extrusion (Std.)
- Available with 711 Base Rail Extrusion

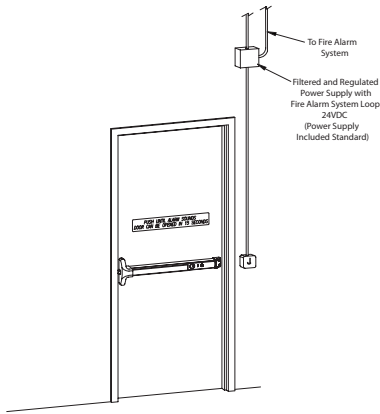
Accessories

- SN1 - Sex Nut Fasteners
- NSK - Narrow Stile Conversion Kit - Converts V40 to fit narrow stile glass door applications
- Optional Cylinder Nut Wrench P/N: 103779 
- Outside Trim (see Value Series Trim Options)
- Foreign Language Signs available Contact Factory

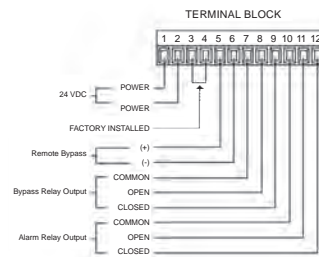
Dimensions



Riser Diagram



Terminal Block



Technical Information

- Door Types - Wood, Hollow Metal, Fiberglass or Aluminum
- Door Thickness - Fits standard 1-3/4" - 2-1/4"
- Single Door Stile - Fits 3-1/2" minimum stile doors with 99 surface strike (Std.)
- Pairs of Doors Stile - Fits 4" minimum stile doors with 99 surface strike
- Door Stile - Fits 2" narrow stile doors - specify NS
- Machine and Self-Drilling Screws (Std.)
- Optional Sex Nuts or Security Torx Screws available

Listings and Approvals



UL Listed Panic Hardware



UL Listed Fire Exit Hardware for 3 hours, maximum 4'x10' single doors and pairs of 4'x8' with F90KR keyed removable mullion

UL Listed Controlled Exit Device (FULA)

UL Listed Special Locking Arrangements (FWAX)



Meets ADA requirements



ANSI/BHMA certified A156.3



ULC 97, Standard 7-2 and UL10B/UL10C for positive pressure



Meets NFPA 80 & 101 for Life Safety



Miami-Dade County, Florida
NOA 15-0415.08

State of Florida Approval
FL9052



California State Fire Marshall
4140-0127:105 and
3725-0127:108

Detex Limited Warranty

10 Year Mechanical/3 Year Electrical Limited Manufacturer's Warranty

Where Trust is Built™
DETEX®
Life Safety and Security Door Hardware

Detex Corporation
302 Detex Drive
New Braunfels, Texas 78130-3045 USA
PH. (830) 629-2900
(800) 729-3839
FAX (800) 653-3839
http://www.detex.com
USA Sales:
marketing@detex.com
International Sales:
export@detex.com

VALUE SERIES®

Electric Integration Panic Device (V40xEI)

The Electric Integration device, designed for applications where electric integration is required, provides the customer with a means of integration to new or existing systems, including the Detex Series 800 Logic Controller. The customer may select from these components to integrate and create different functions from the single product package. This variety of components offers an alarm to sound, monitor the latch bolt position and/or pushpad when depressed, signals a remote panel by key switch operation when activated from inside or outside authorization, and offers 2 LED's to enhance required functions. The operation of switches will open or close (SPDT) to integrate with digital video recorders, remote alarms, strobe lights, or commence the cycle in a separate delayed egress system.



V40xEI
(Shown with mortise cylinder - sold separately)



V40xEIxBKxBLK
(Shown with mortise cylinder - sold separately)



V40xEI711
(Shown with mortise cylinder - sold separately)

For use in Value Series rim (V40)

Benefits

- Priced to be the best value for durable and attractive loss prevention panic hardware
- Fast and easy installation
- Multiple switching choices for ease-of-use
- Durable electronics provide years of trouble free service, saving on replacement costs
- Controls foot traffic, deters unauthorized exits, prevents loss and meets building code requirements
- Integrates with logic controllers, power supplies and most security equipment, to provide reliable integrated loss prevention protection

Features

- State-of-the-art electronics for reliable security and instantaneous switch activation
- Tamper resistant switching electronically monitors pushpad, latch bolt and outside key access
- 100dB piezo alarm
- Mortise cylinder key switch output (Form C)
- Pushpad/Latch bolt position switch outputs
- Authorized access switch output
- (3) Standard SPDT (Form C) switches
- Simple "plug-in" header type terminal strip located near end cap for easy install
- Dual LED visual arming indicators (one red and one green)
- All switching capable of handling 12 or 24 Volts AC or DC
- Code-compliant door sign

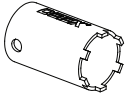
Mechanical Options

- LD - Less Dogging
- F - 3-Hour Fire Rated
- H - Hurricane Rated
- KS - Key Stop - Key removed only when armed

Electrical Options

- 10-800 or 11-800 Logic Controller and Power Supply for Electric Integration (required but not included)
- LBM - Latch Bolt Monitoring

Accessories

- SN1 - Sex Nut Fasteners
- NSK - Narrow Stile Conversion Kit - Converts V40 to fit narrow stile glass door applications
- Security Torx Screws available
- MC65 - Pre-installed Mortise Cylinder
- IC-7 - Pre-installed Interchangeable Core Housing
- FC - Flex Conduit & End-Cap Fittings
- AL18 - Surface Armored Loop (Door Frame mount)
- PT-5 - Power Transfer
- EWH8-626 - Electric Hinge
- Optional Cylinder Nut Wrench P/N: 103779 
- Foreign Language Signs available

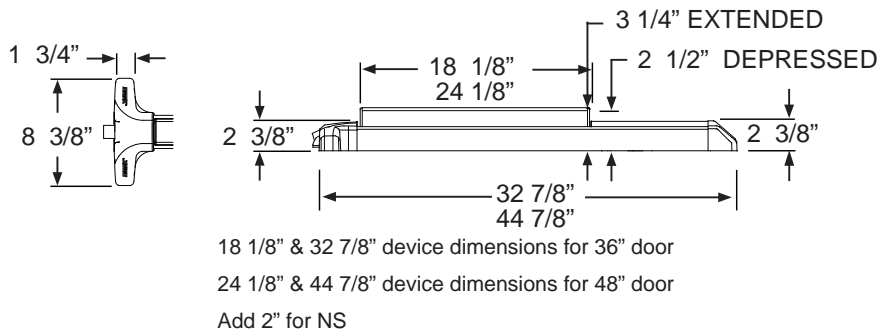
Technical Information

- Switch jumpers for NO/NC contacts
- Single Door Stile - Fits 3-1/2" minimum stile doors with 99 surface strike (Std.)
- Pairs of Doors Stile - Fits 4" minimum stile doors with 99 surface strike
- Door Stile - Fits 2" narrow stile doors - specify NS
- Machine and Self Drilling Screws (Std.)
- Through-wire hinge or power transfer compatible
- Detachable plug-in terminal strip

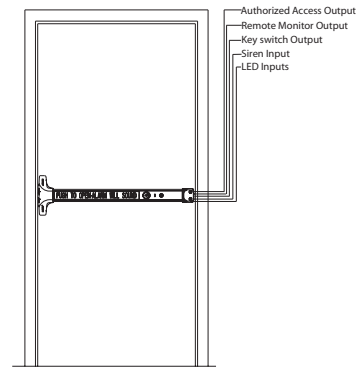
Finishes

- Available with 628 Base Rail Extrusion (Std.)
- Available with 711 Base Rail Extrusion

Dimensions



Riser Diagram



Listings and Approvals



UL Listed Panic Hardware



UL 97, Standard 7-2 and UL10B/UL10C for positive pressure



UL Listed Fire Exit Hardware for 3 hours, maximum 4'x10' single doors and pairs of 4'x8' with F90KR keyed removable mullion



Meets NFPA 80 & 101 for Life Safety



Meets ADA requirements



Miami-Dade County, Florida NOA 15-0415.08

State of Florida Approval FL9052



ANSI/BHMA certified A156.3



California State Fire Marshall 4140-0127:105 and 3725-0127:108

Detex Limited Warranty

10 Year Mechanical/3 Year Electrical Limited Manufacturer's Warranty



Detex Corporation
 302 Detex Drive
 New Braunfels, Texas 78130-3045 USA
 PH. (830) 629-2900
 (800) 729-3839
 FAX (800) 653-3839
<http://www.detex.com>
 USA Sales:
marketing@detex.com
 International Sales:
export@detex.com

VALUE SERIES®

Electric Latch Retraction Panic Device (V40xER)

The Electric Latch Retraction (V40xER) exit device option is designed for entrance and exit doors with panic or fire exit hardware where remote unlocking, remote dogging, access control or automatic door operator is desired.



V40xERx711xBLK

Wide Stile shown, for Narrow Stile, specify NS Option
(for use on 36" and 48" doors with 2" stiles).

Benefits

- Durable design provides years of trouble free protection, saving on replacement costs
- Fits almost any door in any décor
- Controls foot traffic, deters unauthorized exits, prevents loss and meets building code requirements

Features

- Voltage - 24VDC
- Momentary or maintained latch and pushpad retraction
- Requires 81-800, 82-800 or 83-800 Controller and Power Supply - sold separately
- Continuous Duty Motor - quiet operation
- Optional EX Exit Switch - Pushpad monitor switch

Mechanical Options

- 36 - Fits 36" Door Width (Std.)
- H - Hurricane Rated
- Available with 628 Base Rail Extrusion (Std.)
- 48 - Fits 48" Door Width
- 99 - Surface Strike (Std.)
- Available with 711 Base Rail Extrusion
- F - 3-Hour Fire Rated
- 98 - Semi Mortise Strike

Electrical Options

- 81-800, 82-800 or 83-800 Logic Controller and Power Supply (Required - sold separately)

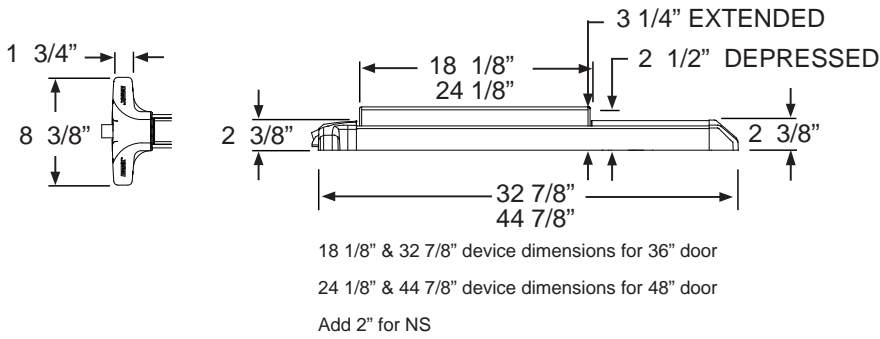
Accessories

- SN1 - Sex Nut Fasteners
- NSK - Narrow Stile Conversion Kit - Converts V40 to fit narrow stile glass door applications
- Outside Trim (see Value Series Trim Options)

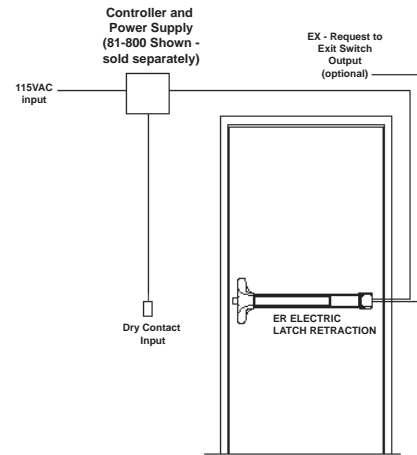
Technical Information

- Door Types - Wood, Hollow Metal, Fiberglass or Aluminum
- Pairs of Doors Stile - Fits 4" minimum stile doors with 99 surface strike
- 2 Amps to retract pushpad and latch
- Door Thickness - Fits standard 1-3/4" - 2-1/4"
- Door Stile - Fits 2" narrow stile doors - specify NS
- 200mA to hold pushpad and latch retracted
- Single Door Stile - Fits 3-1/2" minimum stile doors with 99 surface strike (Std.)
- Optional Sex Nuts or Security Torx Screws available
- Machine and Self-Drilling Screws (Std.)

Dimensions



Riser Diagram



Listings and Approvals



UL Listed Panic Hardware



UBC 97, Standard 7-2 and UL10B/UL10C for positive pressure



UL Listed Fire Exit Hardware for 3 hours, maximum 4'x10' single doors and pairs of 4'x8' with F90KR keyed removable mullion



Meets NFPA 80 & 101 for Life Safety



Meets ADA requirements



Miami-Dade County, Florida NOA 15-0415.08

State of Florida Approval FL9052



ANSI/BHMA certified A156.3



California State Fire Marshall 4140-0127:105 and 3725-0127:108

Detex Limited Warranty
 10 Year Mechanical/3 Year Electrical
 Limited Manufacturer's Warranty

Where Trust is Built™
DETEX®
 Life Safety and Security Door Hardware

Detex Corporation
 302 Detex Drive
 New Braunfels, Texas 78130-3045 USA
 PH. (830) 629-2900
 (800) 729-3839
 FAX (800) 653-3839
 http://www.detex.com
 USA Sales:
 marketing@detex.com
 International Sales:
 export@detex.com

VALUE SERIES®

Electric Switching Rim Exit Device (V40xES)

The Electric Switching (V40xES) device option is designed for doors that require a means of switching when someone depresses the pushpad on the panic device during egress or retracts the latch using an authorized key in an outside trim. Always used in conjunction with other security items, the V40xES provides a normally closed or normally open contact that can be used for a variety of different uses such as activating a remote horn or strobe. The V40xES is UL listed as panic and fire exit hardware as well as UBC standard 7-02 (positive pressure).



V40xES



V40xESxRWE

Wide Stile shown, for Narrow Stile, specify NS Option
(for use on 36" and 48" doors with 2" stiles).

Benefits

- Priced to be the best value for durable and attractive loss prevention panic hardware
- Reduces employee and customer theft
- Fast and easy installation
- Secure installation prevents mistakes, enhances security and reduces maintenance
- Controls foot traffic, deters unauthorized exits, prevents loss and meets building code requirements

Features

- Signal switching monitors latch bolt, pushpad and authorized access
- Remote bypass capability
- Normally Open or Normally Closed (field selectable)

Mechanical Options

- CD - Cylinder Dogging (Std.)
- LD - Less Dogging
- F - 3-Hour Fire Rated
- H - Hurricane Rated
- FC - Flex Conduit Loop (3') and end-cap connector

Electrical Options

- R - Remote Signal (Form C signaling when alarm sounds)
- LBM - Latch Bolt Monitoring

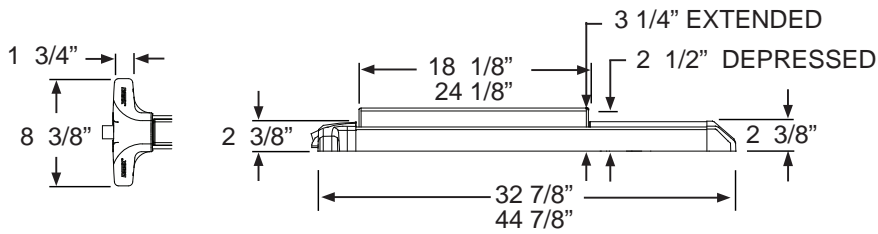
Accessories

- KS - Key Stop - key removed only when armed
- SN1 - Sex Nut Fasteners
- IC7 - Pre-installed interchangeable core housing
- NSK - Narrow Stile Conversion Kit - Converts V40 to fit narrow stile glass door applications
- SSK - Security Torx Screws
- PT5 - Power Transfer
- MC65 - Pre-Installed mortise cylinder
- EWH8-626 - Electric Hinge

Technical Information

- Single Door Stile - Fits 3-1/2" minimum stile doors with 99 surface strike (Std.)
- Detachable plug-in terminal strip
- Pairs of Doors Stile - Fits 4" minimum stile doors with 99 surface strike
- Through-wire or power transfer compatible
- Door Stile - Fits 2" narrow stile doors - specify NS
- Machine and Self Drilling Screws (Std.)
- Switch jumpers for NO/NC contacts

Dimensions

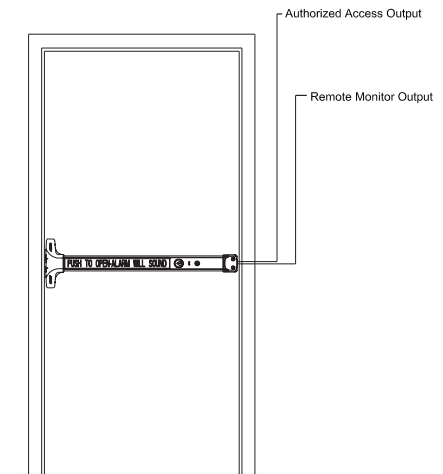


18 1/8" & 32 7/8" device dimensions for 36" door

24 1/8" & 44 7/8" device dimensions for 48" door

Add 2" for NS

Riser Diagram



Listings and Approvals



UL Listed Panic Hardware



ULC 97, Standard 7-2 and UL10B/UL10C for positive pressure



UL Listed Fire Exit Hardware for 3 hours, maximum 4'x10' single doors and pairs of 4'x8' with F90KR keyed removable mullion



Meets NFPA 80 & 101 for Life Safety



Meets ADA requirements



Miami-Dade County, Florida NOA 15-0415.08

State of Florida Approval FL9052



ANSI/BHMA certified A156.3



California State Fire Marshall 4140-0127:105 and 3725-0127:108

Detex Limited Warranty

10 Year Mechanical/3 Year Electrical Limited Manufacturer's Warranty

Where Trust is Built™

DETEX®

Life Safety and Security Door Hardware

Detex Corporation
302 Detex Drive
New Braunfels, Texas 78130-3045 USA

PH. (830) 629-2900

(800) 729-3839

FAX (800) 653-3839

<http://www.detex.com>

USA Sales:

marketing@detex.com

International Sales:

export@detex.com

VALUE SERIES®

Electric Request to Exit Switching (V40xEX) High Current / Voltage Switching (V40xEXV)

The **V40xEX** Electric Request to Exit Switching device, designed for applications where electric signaling is required, provides the customer with a means of signaling when the push pad is depressed. The EX Exit Switching monitors the pushpad and when depressed, will open or close (SPDT) to signal an alarm, send a remote signal to monitor egress, or commence the cycle in a separate delayed egress system.



Wide Stile shown, for Narrow Stile, specify NS Option
(for use on 36" and 48" doors with 2" stiles).

Benefits

- Priced to be the best value for panic exit hardware
- Provides reliable loss prevention protection 24-hours a day
- Rugged, durable design reduces maintenance
- Integrates with other loss prevention equipment
- Large, steel reinforced pushpad with black ABS cover resists damage
- Secure installation prevents costly mistakes and enhances security
- Withstands over 1400 pounds of static pull force for greater security
- Fits almost any door in any décor
- Patented back plate and plastic strike locator designed for perfect alignment with door and frame without paper template

Features

- Stainless steel deadlocking latch bolt
- Heavy-duty angled end cap
- Tamper resistant housing protects internal switching, preventing manipulation
- Tamper resistant switching electronically monitors pushpad
- Standard SPDT (Form C) switch with three wires, Yellow (N/O), Brown (Common) & Green (N/C), creating either a Normally Open or Closed contact
- To shunt power to an electromagnetic lock, specify EXV
- Switch capable of signalling at low currents for integration to a central control station

Mechanical Options

- CD - Cylinder Dogging
- HD - Hex Dogging (Std.)
- LD - Less Dogging
- F - 3-Hour Fire Rated
- H - Hurricane Rated
- 36 - Fits 36" Door Width (Std.)
- 48 - Fits 48" Door Width
- 99 - Surface Strike (Std.)
- 98 - Semi Mortise Strike
- Available with 628 Base Rail Extrusion (Std.)
- Available with 711 (Black) Base Rail Extrusion
- RWE - Red pushpad with white lettering

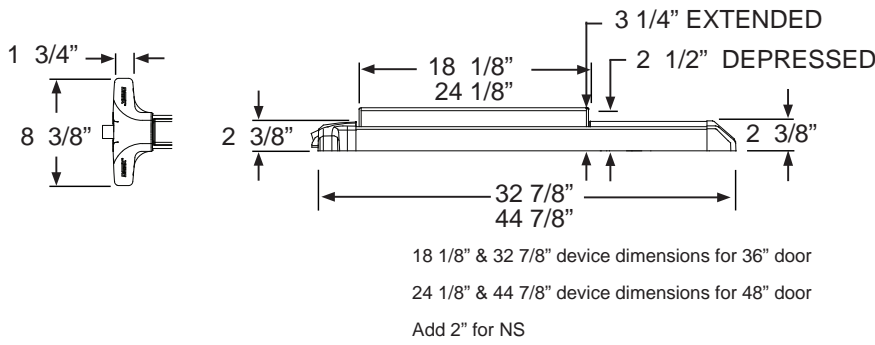
Accessories

- SN1 - Sex Nut Fasteners
- NSK - Narrow Stile Conversion Kit - Converts V40 to fit narrow stile glass door applications
- SSK3 - Security Screw Kit
- FC - Flex Conduit Kit for endcap to transfer wire to frame
- Outside Trim (see Value Series Trim Options)

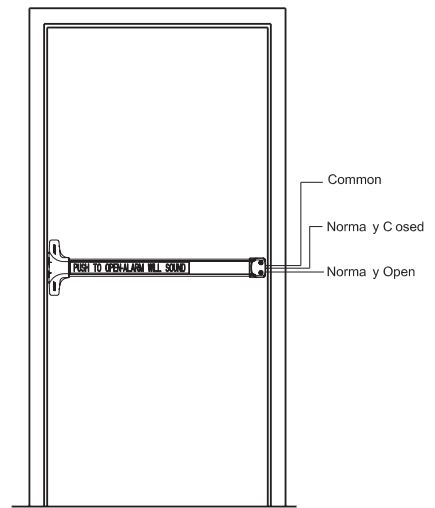
Technical Information

- Door Types - Wood, Hollow Metal, Fiberglass or Aluminum
- Door Thickness - Fits standard 1-3/4" - 2-1/4"
- Single Door Stile - Fits 3-1/2" minimum stile doors with 99 surface strike (Std.)
- Pairs of Doors Stile - Fits 4" minimum stile doors with 99 surface strike
- Door Stile - Fits 2" narrow stile doors - specify NS
- Machine and Self Drilling Screws (Std.)
- Optional Sex Nuts or Security Torx Screws available

Dimensions



Riser Diagram



Listings and Approvals



UL Listed Panic Hardware



IBC 97, Standard 7-2 and
 UL10B/UL10C for positive
 pressure



UL Listed Fire Exit Hardware
 for 3 hours, maximum 4'x10'
 single doors and pairs of 4'x8'
 with F90KR keyed removable
 mullion



Meets NFPA 80 & 101 for Life
 Safety



Meets ADA requirements



Miami-Dade County, Florida
 NOA 15-0415.08

State of Florida Approval
 FL9052



ANSI/BHMA certified A156.3



California State Fire Marshall
 4140-0127:105 and
 3725-0127:108

Detex Limited Warranty
 10 Year Mechanical/3 Year Electrical
 Limited Manufacturer's Warranty

Where Trust is Built™
DETEX®
Life Safety, Security and Security Assurance

Detex Corporation
 302 Detex Drive
 New Braunfels, Texas 78130-3045 USA
 PH. (830) 629-2900
 (800) 729-3839
 FAX (800) 653-3839
<http://www.detex.com>
 USA Sales:
marketing@detex.com
 International Sales:
export@detex.com

VALUE SERIES®

Electric Request to Exit Weatherized Switching Weatherized Switching (V40xEXxW)

High Current / Voltage Weatherized Switching (V40xEXVxW)

The **V40xEXxW** Electric Request to Exit Switching device, designed for outdoor gates and other wet environments, provides the customer with a means of signaling when the pushpad is depressed. This will open or close switch contacts (SPDT) and signal an alarm, remote strobe light or commence the cycle in a separate delayed egress system.



V40xEXxW



V40xEXxWxBKxBLK



V40xEXxWxCD

Wide Stile shown, for Narrow Stile, specify NS Option
(for use on 36" and 48" doors with 2" stiles).

Benefits

- Priced to be the best value for panic exit hardware
- Provides reliable loss prevention protection 24-hours a day
- Rugged, weatherized and corrosion resistant for years of reliable service
- Integrates with other loss prevention equipment
- Large, steel reinforced pushpad with black ABS cover resists damage
- Secure installation prevents costly mistakes and enhances security
- Withstands over 1400 pounds of static pull force for greater security
- Fits almost any door in any décor
- Patented back plate and plastic strike locator designed for perfect alignment with door and frame without paper template

Features

- Stainless steel, 3/4" throw deadlocking latch bolt
- Heavy-duty angled end cap
- Tamper resistant switching electronically monitors pushpad
- Covers a 161 door prep
- Standard SPDT (Form C) switch with three wires, Yellow (N/O), Brown (Common) & Green (N/C), creating either a Normally Open or Closed contact
- Weatherized switch for signalling at low currents to a central control station
- Fits 2" narrow stile doors with optional narrow stile door kit
- Withstands environmental elements when installed on gates or exterior doors
- To shunt power to an electromagnetic lock, specify EXVxW

Mechanical Options

- CD - Cylinder Dogging
- HD - Hex Dogging (Std.)
- LD - Less Dogging
- F - 3-Hour Fire Rated
- H - Hurricane Rated
- 36 - Fits 36" Door Width (Std.)
- 48 - Fits 48" Door Width
- 99 - Surface Strike (Std.)
- 98 - Semi Mortise Strike
- 95 - Double Door Strike
- GTPLKIT - Adjustable Gate Plate
- Available with 628 Base Rail Extrusion (Std.)
- Available with 711 (Black) Base Rail Extrusion
- RWE - Red pushpad with white lettering

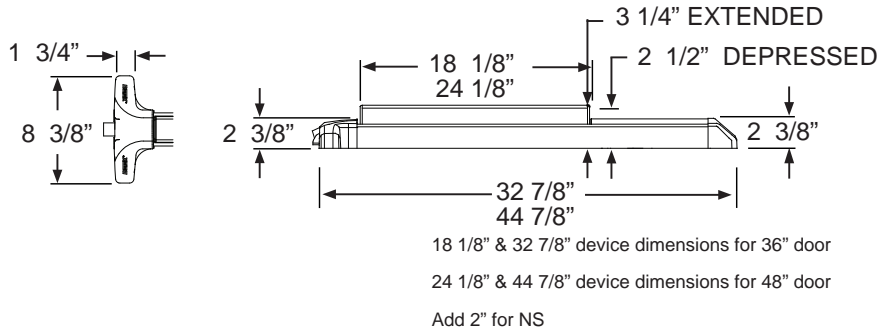
Accessories

- SN1 - Sex Nut Fasteners
- KS - Key Stop - key removed only when armed
- NSK - Narrow Stile Conversion Kit - Converts V40 to fit narrow stile glass door applications
- SSK3 - Security Screw Kit
- FC - Flex Conduit Kit for endcap to transfer wire to frame
- Outside Trim (see Value Series Trim Options)

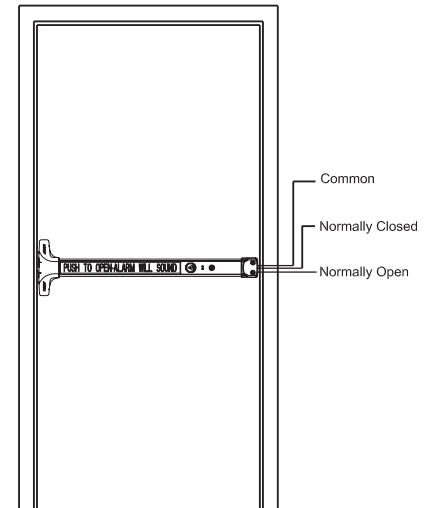
Technical Information

- Door Types - Wood, Hollow Metal, Fiberglass or Aluminum
- Door Thickness - Fits standard 1-3/4" - 2-1/4"
- Door Stile - Fits 2" narrow stile doors with 98 semi-mortise strike - Specify V40xNS
- Door Stile - Fits standard door with 99 surface strike (Std.)
- Machine and Self Drilling Screws (Std.)
- Optional Sex Nuts or Security Torx Screws available

Dimensions



Riser Diagram



Listings and Approvals



UL Listed Panic Hardware



UBC 97, Standard 7-2 and UL10B/UL10C for positive pressure



UL Listed Fire Exit Hardware for 3 hours, maximum 4'x10' single doors and pairs of 4'x8' with F90KR keyed removable mullion



Meets NFPA 80 & 101 for Life Safety

UL1034-34 Temperature Section 34 [Temperature Range -31°F (-35° C) to 150° F (+66° C)]



Miami-Dade County, Florida
NOA 15-0415.08

UL1034-54 Dust Section 54

State of Florida Approval
FL9052



Meets ADA requirements



California State Fire Marshal
4140-0127:105 and
3725-0127:108



ANSI/BHMA certified A156.3

MIL-STD 810F (G), Method 509.4 (Salt Fog Test)

MIL-STD 810F (G), Method 506.4 (Driving Rain), Procedure 1

Detex Limited Warranty
10 Year Mechanical/3 Year Electrical
Limited Manufacturer's Warranty

Where Trust is Built™
DETEx®
Life Safety, Security and Security Assurance

Detex Corporation
302 Detex Drive
New Braunfels, Texas 78130-3045 USA
PH. (830) 629-2900
(800) 729-3839
FAX (800) 653-3839
<http://www.detex.com>
USA Sales:
marketing@detex.com
International Sales:
export@detex.com

VALUE SERIES®

Surface Vertical Rod Device with Alarm (V50xEA) (Formerly EH/EHxR)

The V50xEA device option is designed for pairs of doors without mullions that require a hardwired, alarmed panic device with remote signal and bypass. When the alarm sounds a remote signal can be sent to turn on a remote horn, strobe or other security device. The alarms can also be bypassed using a remote button, keypad, card reader or other access control device. The alarm, with approximately 100dB will sound when someone attempts to exit, alerting management that an unauthorized exit has occurred. With electric switching that monitors the pushpad, the V50xEA provides a high level of security while also meeting all life safety concerns.



Benefits

- Priced to be the best value for durable, attractive loss prevention panic hardware
- Reduces employee and customer theft
- Fast and easy installation
- Minimal door prep saves time and money
- Secure installation prevents mistakes, enhances security and reduces maintenance
- Durable design provides years of trouble-free protection, saving on replacement cost
- Fits any door in almost any décor
- Controls foot traffic, deters unauthorized exits, prevents loss and meets building code requirements
- Outside trims are easily changed or rekeyed without removing device from door

Features

- V50xEA - Alarmed exit device powered by 12V or 24V AC/DC power, with a 9-volt battery back-up
- Remote Signal - Form C signaling when alarm sounds
- Remote Bypass input allows authorized use without an alarm
- Patented mounting plate and strike locator system replaces paper template
- Handed, field reversible, field sizeable
- 100 decibel alarm
- Stainless steel, 3/4" deadlocking top latch bolt
- 1/8 turn dogging
- Single mortise cylinder (sold separate) provides arming and dogging
- Accommodates all types of mortise cylinders with a standard Yale cam (collar required for 7-pin IC cylinders)
- Heavy-duty angled end cap
- Bottom drop bolt, 5/8" dia. x5-5/8" long secures into strike plate
- State-of-art electronics offer reliable security and instantaneous alarm
- Field selectable key rearm or 2 min. auto rearm
- Visual and audible arming indicators
- Armed and disarmed field selectable status indicator

Mechanical Options

- CD - Cylinder Dogging (Std.)
- LD - Less Dogging (mortise cylinder required for arming)
- IC7 - 7 pin small format interchangeable housing pre-installed at factory
- MC65 - Mortise cylinder pre-installed at factory
- KS - Key Stop (key removed only when armed)
- 36 - Fits 36" door width (Std)
- 48 - Fits 48" door width
- F - 3-Hour Fire Rated
- Available with 628 Base Rail Extrusion (Std.)
- Available with 711 Base Rail Extrusion

Electrical Options

- 1, 5 second arming delay (15 second - standard)
- 10 or 20 minute auto rearm (2 minute - standard)
- SI - Status Indicator LED's indicate armed status

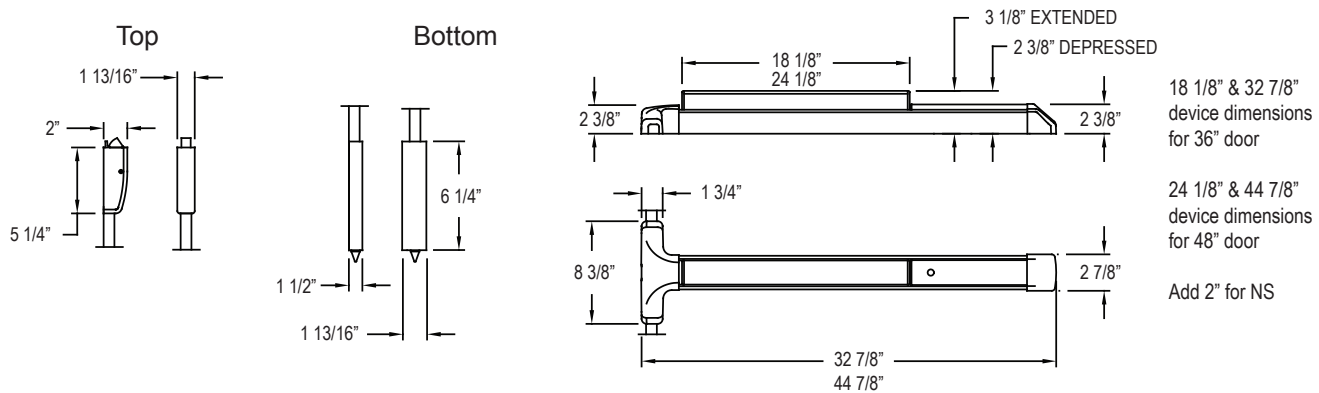
Accessories

- SN1 - Sex Nut fasteners
- NSK - Narrow Stile Conversion Kit - Converts V50 to fit narrow stile glass door applications
- Outside trim (see Value Series Trim Options)

Technical Information

- Door Types - Wood, Hollow Metal, Fiberglass or Aluminum
- Door Stile - Fits 3-1/2" stile doors (Std.)
- Optional Sex Nuts or Security Torx Screws available
- Door Thickness - Fits standard 1-3/4" - 2-1/4" (for other door thicknesses contact factory)
- For 2" narrow stile glass doors specify suffix V50xNS
- Rail is heavy ribbed aluminum extrusion
- Machine and Sheet Metal Screws (Std.)

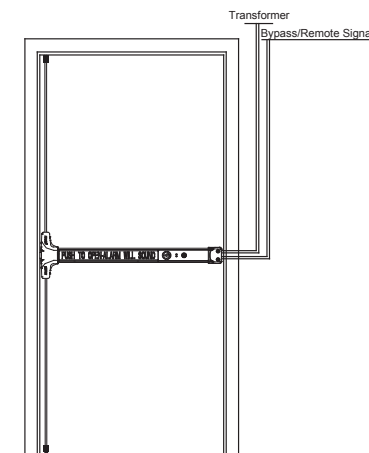
Dimensions



Listings and Approvals

- UL Listed Panic Hardware
- UL Listed Fire Exit Hardware for 3 hours, maximum 4'x10' single doors and 8'x10' pairs of doors
- Meets ADA requirements
- ANSI/BHMA certified A156.3
- UBC 97, Standard 7-2 and UL10B/UL10C for positive pressure
- Meets NFPA 80 & 101 for Life Safety
- California State Fire Marshall 4140-0127:105 and 3725-0127:108

Riser Diagram



Detex Limited Warranty

10 Year Mechanical/3 year Electrical Limited Manufacturer's Warranty

Where Trust is Built™
DETEX®
Life Safety, Security and Security Assurance

Detex Corporation
 302 Detex Drive
 New Braunfels, Texas 78130-3045 USA
 PH. (830) 629-2900
 (800) 729-3839
 FAX (800) 653-3839
<http://www.detex.com>
 USA Sales:
marketing@detex.com
 International Sales:
export@detex.com

VALUE SERIES®

Alarmed Surface Vertical Rod Device (V50xEB)

The V50xEB is designed for primary and secondary exits that require an alarmed surface vertical rod exit device. The 100dB alarm will sound when someone attempts to exit, alerting management to the unauthorized exit. Available in various configurations, the V50xEB provides security while meeting all life safety concerns, offering exceptional value.



Benefits

- Priced to be the best value for durable, attractive 2 point locking loss prevention panic hardware
- Reduces employee and customer theft
- 2 Point locking provides superior holding force
- Fast and accurate installation
- Secure installation prevents mistakes, enhances security and reduces maintenance
- Durable design provides years of trouble-free protection, saving on replacement cost
- Minimal door prep saves time and money
- Fits any door in almost any décor
- Controls foot traffic, deters unauthorized exits, prevents loss and meets building code requirements

Features

- V50xEB - Alarmed 2 point surface vertical rod exit device powered by standard 9-volt battery
- Stainless steel, 3/4" deadlocking Pullman-type top latch bolt
- Bottom drop bolt, 5/8" dia. x 5-5/8" long secures into strike plate
- Handed, field reversible, field sizeable
- 100 decibel alarm
- 1/8 turn dogging
- Heavy-duty angled end cap
- Heavy-duty ribbed aluminum rail extrusion
- Accommodates all types of mortise cylinders with a standard Yale cam (collar required for 7-pin IC cylinders)
- Patented mounting plate and strike locator system replaces paper template
- Single mortise cylinder (sold separately) provides arming and dogging
- State-of-art electronics offer reliable security and instantaneous alarm
- Field selectable key rearm or 2 min. auto rearm
- Visual and audible arming indicators
- Armed and disarmed field selectable status indicator
- Delayed arming allows arming after door closes
- Impact resistant ABS and anodized surfaces
- Modular design accepts a variety of outside trims and functions
- Standard and narrow stile pull trims available

Mechanical Options

- V51 - Top Rod Only
- F - 3-Hour Fire Rated
- CD - Cylinder Dogging (Std.)
- LD - Less Dogging
- 36 - Fits 36" Door Widths (Std.)
- 48 - Fits 48" Door Widths
- 84 - Fits 7' Door Height (Std.)
- 96 - Fits 8' Door Height
- 120 - Fits 10' Door Height
- NS - Fits 2" Narrow stile glass door
- 96 Surface top stike top (Std.)
- 96B Bottom dust proof strike
- Available with 628 base rail extrusion
- Available with 711 base rail extrusion
- RC - Rod Covers (630 Brushed Stainless)
- RWE - Red pushpad with white English text standard (contact factory for list of available languages)
- BG - Bottom bolt and 12" ADA ramped cover (630 Brushed Stainless)

Electrical Options

- Electric Battery Alarm (EB)
- Delayed Egress (EE)

Refer to Electrified Options section for more information

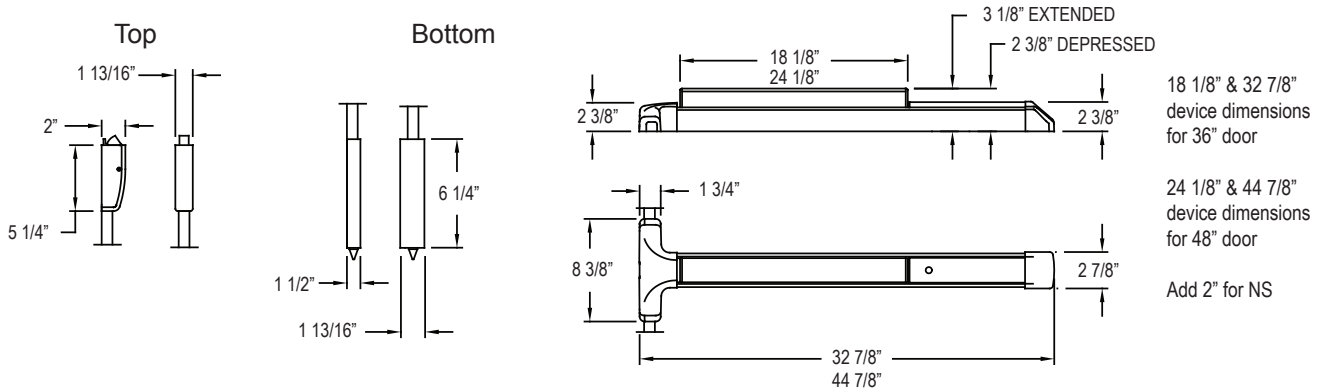
Accessories

- Outside Trim (see Value Series Trim Options)
- KS - Key Stop - key removed only when armed
- NSK - Narrow Stile Conversion Kit - Converts V50 to fit narrow stile glass door applications
- GB# - Glass Bead Kits
- SN1 - Sex Nut Kit (2 per package)

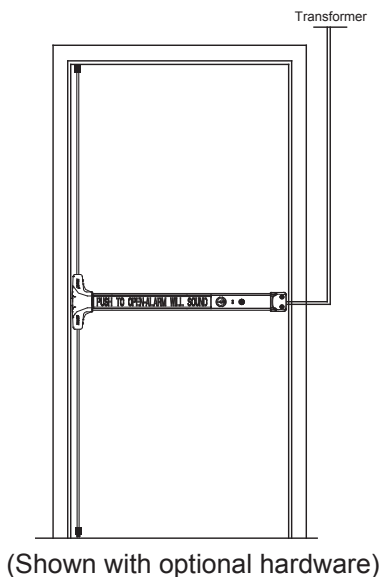
Technical Information

- Door Stile - Fits 3-1/2" stile doors (Std.)
- For 2" narrow stile glass doors specify suffix V50xNS
- Fasteners - Machine and Self-Drilling Screws standard

Dimensions



Riser Diagram



Listings and Approvals



UL Listed
Panic Hardware



UL Listed Fire Exit Hardware
for 3 hours, maximum
4'x10' single doors and
8'x10' pairs of doors



Meets ADA requirements



ULC 97, Standard 7-2 and
UL10C for positive pressure



ANSI/BHMA certified A156.3



Meets NFPA 80 & 101
for Life Safety



California State Fire Marshall
4140-0127:105 and
3725-0127:108

Detex Limited Warranty

10 Year Mechanical/3 year Electrical
Limited Manufacturer's Warranty

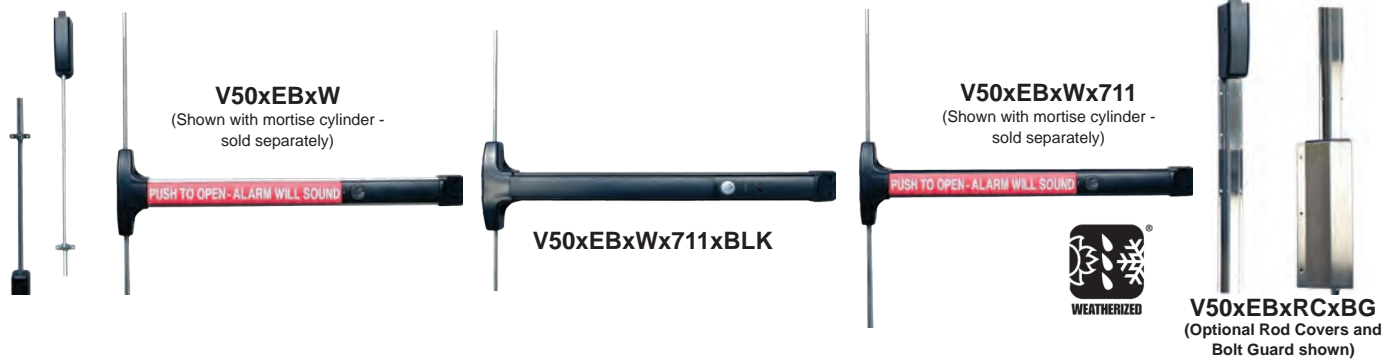
Where Trust is Built™
DETEx®
Life Safety, Security and Security Assurance

Detex Corporation
302 Detex Drive
New Braunfels, Texas 78130-3045 USA
PH. (830) 629-2900
(800) 729-3839
FAX (800) 653-3839
<http://www.detex.com>
USA Sales:
marketing@detex.com
International Sales:
export@detex.com

VALUE SERIES®

Weatherized Alarmed Surface Vertical Rod Exit Device (V50xEBxW)

The **V50xEBxW** device option is designed for pairs of doors or gates without mullions that require battery powered, alarmed weatherized panic devices. The 100dB alarm will sound when someone attempts to exit, alerting management to the unauthorized exit. The internal alarm with both remote bypass and remote signaling capabilities is ideal for applications where both security and life safety are a concern. In addition to listing as UL panic and fire exit hardware, this device conforms to UL 1034-34 Temperature Section 34, UL 1034-54 Dust Section 54, MIL-STD 810F Method 506.4 (driving rain test), MIL-STD 810F, Method 509.4 (salt fog test) and UBC standard 7-1 (positive pressure).



Benefits

- Weather resistant loss prevention hardware designed for use in outdoor or wet environments
- Patented mounting plate and plastic strike locator designed for perfect alignment with door and frame without paper template
- Fast and accurate installation prevents costly mistakes and enhances security
- Provides reliable loss prevention protection both indoors and out, 24 hours a day
- Controls foot traffic to deter unauthorized exits and reduces employee and customer theft
- Rugged, durable, corrosion-resistant design reduces maintenance
- Aesthetically pleasing design for almost any door or gate in any décor

Features

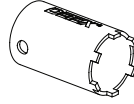
- Powered by 9-volt battery
- Handed, field reversible, field sizeable
- Stainless steel 3/4" deadlocking, Pullman-type top latch
- Bottom drop bolt, 5/8" dia. x 5-5/8" long secures into strike plate
- Heavy duty angled end cap
- Field selectable key rearm or 2 min. auto rearm
- State of the art electronics offer reliable security and instantaneous alarm
- Plated steel, anodized aluminum and ABS components endure heavy use and exposure to the elements
- Built-in inhibitors prevent ABS fading and weakening, typically caused by exposure to extreme temperatures and UV rays
- Accommodates mortise cylinders with Yale cam (7-pin IC requires collar)
- Tamper-resistant housing protects electronics, battery and internal hardware, preventing manipulation
- Single mortise cylinder (sold separate) provides arming and dogging
- Armed and disarmed field selectable status indicator
- Delayed arming allows arming after door closes with visual and audible indicators
- Remote Signal Form C signaling when alarm sounds and remote bypass input allows authorized use without an alarm (standard feature)
- 100dB alarm

Mechanical Options

- CD - Cylinder Dogging (Std.)
- LD - Less Dogging
- F - 3-Hour Fire Rated
- 36 - Fits 36" Door Width (Std.)
- 48 - Fits 48" Door Width
- SN1 - Sex Nut Fasteners
- KS - Key Stop - key removed only when armed
- MC65 - Mortise cylinder pre-installed at factory
- IC-7 - 7 pin small format interchangeable cylinder housing pre-installed at factory

Mechanical Options Cont'd and Accessories

- Available with 711 (Black) Base Rail Extrusion
- Available with 628 Base Rail Extrusion (Std.)
- NSK - Narrow Stile Conversion Kit - Converts V50 to fit narrow stile glass door applications
- Outside Trim (see Value Series Trim Options)
- Optional Cylinder Nut Wrench P/N: 103779



Technical Information

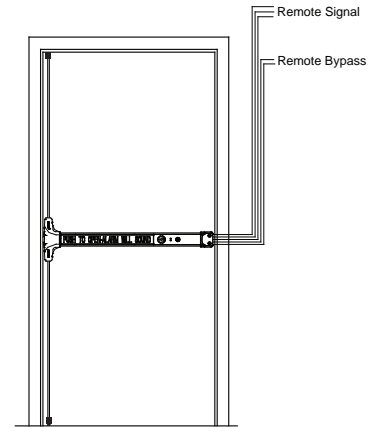
- Door Types - Wood, Hollow Metal, Fiberglass or Aluminum
- 2" Aluminum doors need to be ordered as a narrow stile (NS)
- Door Thickness - Fits standard 1-3/4" - 2-1/4" (for other door thicknesses, contact factory)
- Machine and Sheet Metal Screws (Std.)
- Optional Sex Nuts or Security Torx Screws available
- Rail is heavy ribbed aluminum extrusion

Electrical Options

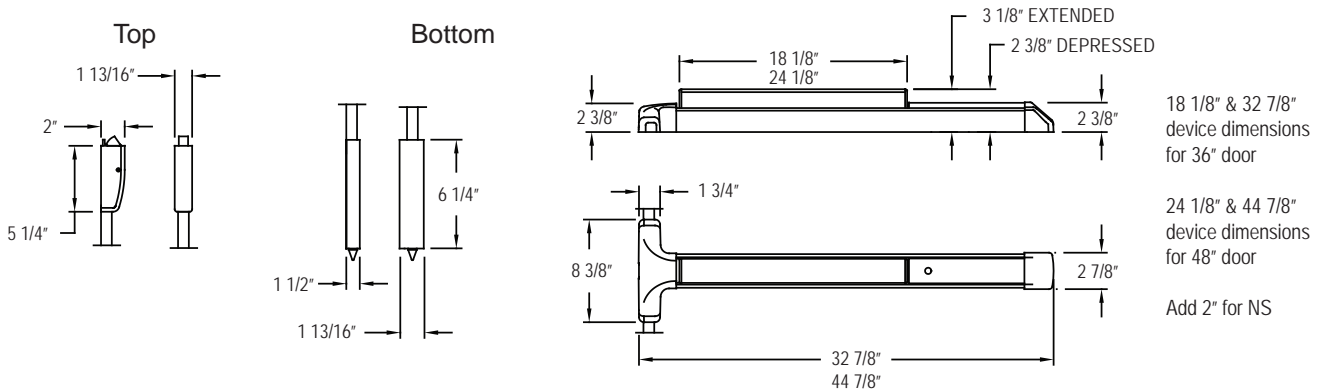
Other Weatherized Detex Products Include:

- Request to Exit Signalling Weatherized (EXxW)

Riser Diagram



Dimensions



Listings and Approvals

Detex Limited Warranty

10 Year Mechanical/3 Year Electrical Limited Manufacturer's Warranty



UL Listed Panic Hardware



ULC 97, Standard 7-2 and UL10B/UL10C for positive pressure



UL Listed Fire Exit Hardware for 3 hours, maximum 4'x10' single doors and 8'x10' pairs of doors



Meets NFPA 80 & 101 for Life Safety

UL1034-34 Temperature Section 34 [Temperature Range -31°F (-35° C) to 150° F (+66° C)]



Miami-Dade County, Florida NOA 15-0415.08

UL1034-54 Dust Section 54

State of Florida Approval FL9052

Where Trust is Built™
DETEX®
Life Safety and Security Door Hardware

Detex Corporation
302 Detex Drive
New Braunfels, Texas 78130-3045 USA

PH. (830) 629-2900
(800) 729-3839

FAX (800) 653-3839
<http://www.detex.com>

USA Sales:
marketing@detex.com
International Sales:
export@detex.com



Meets ADA requirements



California State Fire Marshall
4140-0127:105 and
3725-0127:108



ANSI/BHMA certified A156.3

MIL-STD 810F (G), Method 509.4 (Salt Fog Test)

MIL-STD 810F (G), Method 506.4 (Driving Rain), Procedure 1

VALUE SERIES®

Electric Dogging (V50xED)

The V50xED Electric Dogging is designed for pairs of entrance and exit doors with panic or fire exit hardware. When energized, and after a pushpad is depressed, the pushpad and the latch bolt remain retracted, providing push-pull operation. Relocking all devices is accomplished by using a single switch or through a fire alarm input.



V50xED



V50xRCxBG
(Optional Rod Covers and Bolt Guard shown)

Benefits

- Priced to be the best value for durable and attractive panic hardware
- Pushpad remains depressed while latch is retracted, preventing unnecessary cycling, for quieter operation
- While dogged, pushpad remains out of the path of egress, removing the typical catch point found with other exit devices
- One-touch operation turns any secured door or group of doors into push-pull openings and releases them as required
- Door remains locked until first activation of pushpad (exit) allows remote activation of dogging mode
- Allows remote deactivation of dogging for instantaneous lock-down mode
- Fits almost any door in any décor
- Economical alternative to latch retraction when only dogging is required
- Rugged, durable design reduces maintenance
- Secure installation prevents costly mistakes and enhances security
- Simple mounting and wiring provide quick, trouble-free installation, saving time and money

Features

- Tamper resistant housing
- Stainless steel 3/4" deadlocking, Pullman-type top latch bolt
- Bottom drop bolt, 5/8" dia. x 5-5/8" long secures into strike plate
- Maintained latch and pushpad retraction
- Continuous duty magnet
- Operates on 24VAC or 24VDC
- Handed, field reversible

Mechanical Options

- F - 3-Hour Fire Rated
- H - Hurricane Rated
- V51- Top Rod Only
- 36 - Fits 36" Door Width (std.)
- 48 - Fits 48" Door Width
- 84 - Fits 7' Door Width
- 96 - Fits 8' Door Height
- 120 - Fits 10' Door Height
- RC - Rod Covers (630 Brushed Stainless)
- BG - Bottom bolt and 12" ADA ramped cover (630 Brushed Stainless)
- 96 Top Surface Strike (Std.)
- 96B - Bottom dustproof strike
- NS - Fits 2" Narrow stile glass door - Specify V50xNS
- Available with 628 Base Rail Extrusion (Std.)
- Available with 711 Base Rail Extrusion

Electrical Options

- EX - Request to Exit Switch
- 90-800 - 24VDC filtered, regulated with fire loop connection
- 80-800 Power Supply - 24VDC filtered, regulated with fire loop connection with battery charging circuit
- PP-5152-2 24VAC transformer

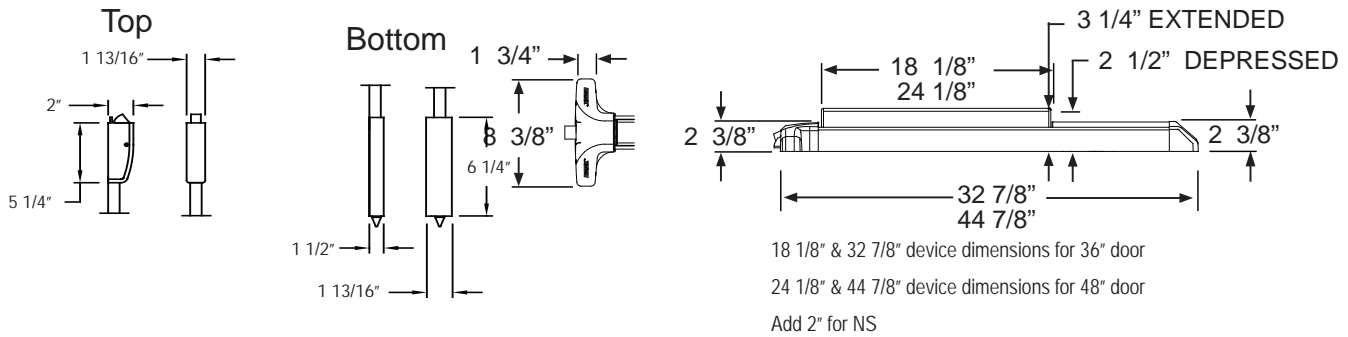
Accessories

- SN1 - Sex Nut Fasteners
- FC - Flex Conduit and End Cap
- PT5 - Power Transfer
- EWH8-626 - Electric Hinge
- NSK - Narrow Stile Conversion Kit - Converts V50 to fit narrow stile glass door applications
- Outside Trim (see Value Series Trim Options)

Technical Information

- Door Types - Wood, Hollow Metal, Fiberglass or Aluminum
- Door Stile - Fits 3-1/2" stile doors (Std.)
- Machine and Self Drilling Screws (Std.)
- Door Thickness - Fits standard 1-3/4" - 2-1/4"
- For 2" narrow stile glass doors specify suffix V50xNS
- Optional Sex Nuts or Security Torx Screws available

Dimensions



Listings and Approvals



UL Listed Panic Hardware



ULC 97, Standard 7-2 and UL10B/UL10C for positive pressure



UL Listed Fire Exit Hardware for 3 hours, maximum 4'x10' single doors and pairs of 4'x8' with F90KR keyed removable mullion



Meets NFPA 80 & 101 for Life Safety



Meets ADA requirements



Miami-Dade County, Florida
NOA 15-0415.08



ANSI/BHMA certified A156.3



California State Fire Marshall
4140-0127:105 and
3725-0127:108

Detex Limited Warranty

10 Year Mechanical/3 Year Electrical Limited Manufacturer's Warranty



Detex Corporation
302 Detex Drive
New Braunfels, Texas 78130-3045 USA
PH. (830) 629-2900
(800) 729-3839
FAX (800) 653-3839
<http://www.detex.com>
USA Sales:
marketing@detex.com
International Sales:
export@detex.com

VALUE SERIES®

Delayed Egress Surface Vertical Rod Device (V50xEE)

The V50xEE, designed for **primary and secondary exits**, provides a secure **15-second delay** and a **100dB alarm** when someone attempts to exit. This 15-second delay allows management time to respond before someone exits and the alarm deters the exit from occurring. Per life safety requirements, the V50xEE must be provided with a fire alarm input, thus providing a system override during a fire emergency. The V50xEE provides security while meeting all life safety concerns, offering an exceptional value.



Benefits

- Priced to be the best value for durable and attractive delayed egress panic hardware
- Reduces employee and customer theft
- Fast and easy installation
- Secure installation prevents mistakes, enhances security and reduces maintenance
- Durable design provides years of trouble-free protection, saving on replacement costs
- Fits almost any door in any décor
- Controls foot traffic, deters unauthorized exits, prevents loss and meets building code requirements

Features

- Power supply delivers a constant 24VDC of filtered and regulated voltage at a rated load of 1A
- Stainless steel, 3/4" deadlocking Pullman-type latch bolt
- Non-handed, field sizeable
- 100dB alarm
- 1/8 turn cylinder dogging
- Sturdy angled end-cap
- Heavy-duty ribbed aluminum rail extrusion
- Remote Signal Form C signaling when alarm sounds and remote bypass input allows authorized use without an alarm.
- Accommodates all types of mortise cylinders with a standard Yale cam
- Patented mounting plate and strike locator system provide perfect alignment with door and frame
- Single mortise cylinder provides arming and dogging - can be factory installed
- State-of-the-art electronics offer reliable security and instantaneous alarm
- Visual and audible arming indicators
- 9V battery provides alarm function only in case of power failure
- Armed and disarmed field selectable status indicator
- Delayed arming allows arming after door closes
- Remote signal output and remote bypass input standard
- Alarm triggered by pushpad movement
- Fire alarm input can be connected at power supply
- Includes delayed egress panic bar, 24VDC filtered and regulated power supply, door sign and 3' conduit loop

Mechanical Options

- MC65 - Factory Installed Mortise cylinder
- IC7 - Factory Installed IC Housing
- F - 3-Hour Fire Rated
- CD - Cylinder Dogging (Std.)
- LD - Less Dogging
- KS - Key Stop (Key removed only when armed)
- 36" Door Width (Std.)
- 48" Door Width
- Available with 628 Base Rail Extrusion (Std.)
- Available with 711 Base Rail Extrusion
- Door Stile - Fits 3-1/2" stile doors (Std.)
- For 2" narrow stile glass doors specify suffix V50xNS

Electrical Options

- 30 - 30 second delayed egress available - Letter from Authority Having Jurisdiction required
- AL18 - Surface Armored Loop (Door/Frame mounted)
- PT5 - Power Transfer
- EE05 Options Package - Non-extended bypass, alarm sounds if door left open / silent arming / reset alarm with access control, or reset alarm with key only.

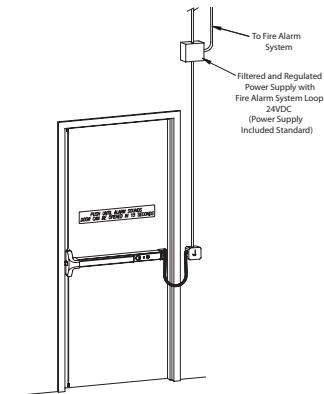
Accessories

- Optional Cylinder Nut Wrench P/N: 103779 
- NSK - Narrow Stile Conversion Kit - Converts V50 to fit narrow stile glass door applications
- SN1 - Sex Nut Fasteners
- Outside Trim (see Value Series Trim Options)
- Foreign Language Signs available Contact Factory

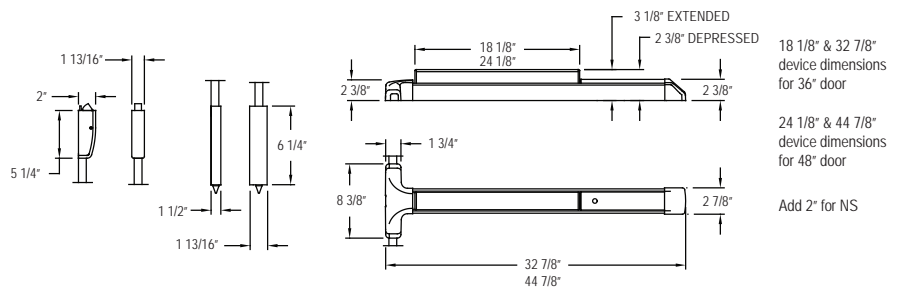
Technical Information

- Door Types - Wood, Hollow Metal, Fiberglass or Aluminum
- Door Stile - Fits 3-1/2" stile doors (Std.)
- Machine and Self-Drilling Screws (Std.)
- Door Thickness - Fits standard 1-3/4" - 2-1/4"
- For 2" narrow stile glass doors specify suffix V50xNS
- Optional Sex Nuts or Security Torx Screws available

Riser Diagram



Dimensions



Detex Limited Warranty

10 Year Mechanical/3 Year Electrical
Limited Manufacturer's Warranty

Listings and Approvals



UL Listed Panic Hardware



UBC 97, Standard 7-2 and UL10B/UL10C for positive pressure



UL Listed Fire Exit Hardware for 3 hours, maximum



Meets NFPA 80 & 101 for Life Safety



Meets ADA requirements



California State Fire Marshall
4140-0127:105 and
3725-0127:108



ANSI/BHMA certified A156.3

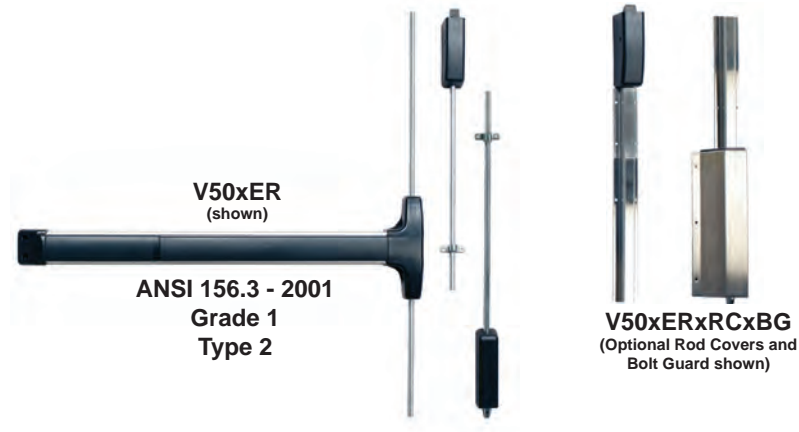
Where Trust is Built™
DETEX®
Life Safety and Security Door Hardware

Detex Corporation
302 Detex Drive
New Braunfels, Texas 78130-3045 USA
PH. (830) 629-2900
(800) 729-3839
FAX (800) 653-3839
<http://www.detex.com>
USA Sales:
marketing@detex.com
International Sales:
export@detex.com

VALUE SERIES®

Electric Latch Retraction Panic Device (V50xER)

The **Electric Latch Retraction (V50xER)** exit device option is designed for entrance and exit doors with panic or fire exit hardware where remote unlocking, remote dogging, access control or automatic door operator is desired.



Benefits

- Durable design provides years of trouble free protection, saving on replacement costs
- Fits almost any door in any décor
- Simultaneous latch/rod and pushpad retraction provides smooth surface with no catch points
- Provides a means for remote dogging and lockdown

Features

- Continuous duty motor with no solenoid
- Handed, field reversible, field sizeable
- Low voltage with no high current in-rush
- Patented mounting plate and strike locator system replaces paper templates
- Momentary or maintained retraction of rods and pushpad
- Long term dogging capability
- Requires 81-800, 82-800 or 83-800 controller and power supply - sold separately
- Switches to monitor pushpad

Mechanical Options

- FC - Flexible 3' conduit loop and end cap connector
- BG - Bottom Bolt and 12" ADA ramped cover (630 Brushed Stainless)
- RC - Rod Covers (630 Brushed Stainless)
- PT5 - Power Transfer
- AL18 - Surface armored loop

Electrical Options

- Exit Switch (EX) - Pushpad monitor switch
- Latch retraction power supply is required and sold separately
- 82-800 - Power Supply for pairs of doors
- 81-800 - Power Supply for single door
- 83-800 - Power Supply of two independent doors

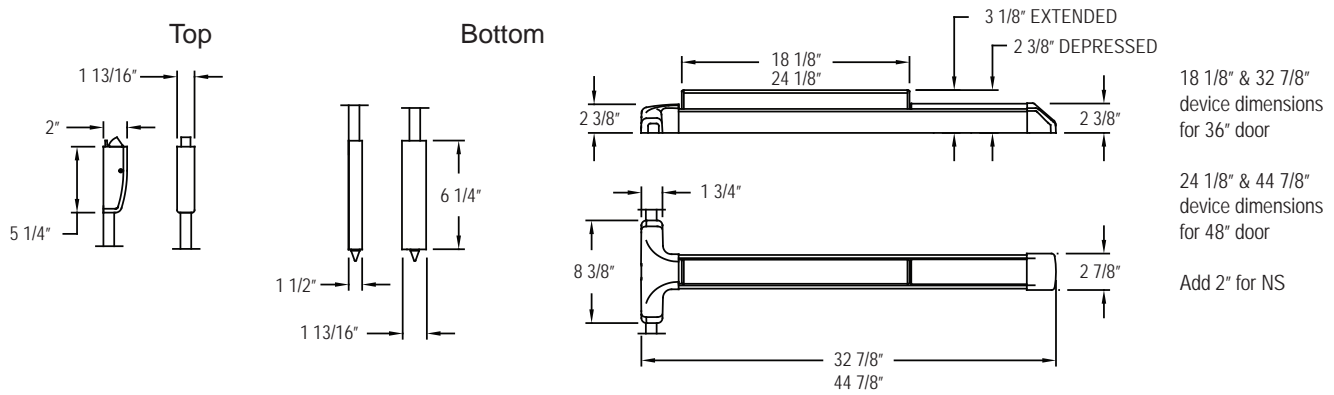
Accessories

- SN1 - Sex Nut Fasteners
- NSK - Narrow Stile Conversion Kit - Converts V50 to fit narrow stile glass door applications
- Outside trim (see Value Series Trim Options)
- DX Bolts - Hinge Side Bolts

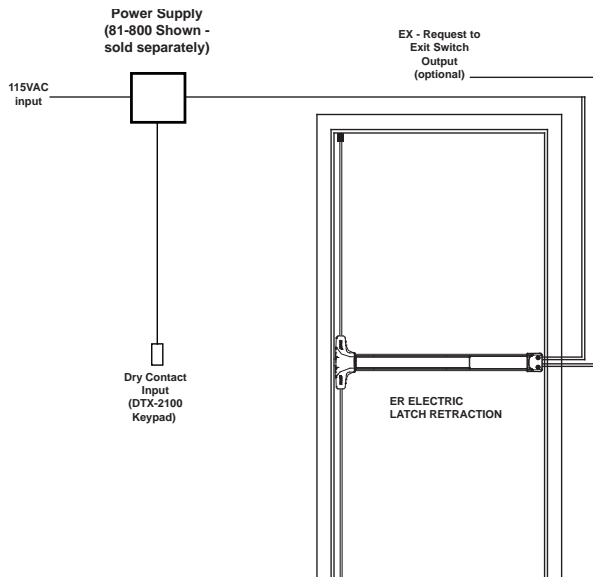
Technical Information

- Voltage - 24VDC
- 2 Amps to retract pushpad and latch
- Door Stile - Fits 3-1/2" stile doors (Std.)
- 200mA to hold pushpad and latch retracted
- Door Stile - Fits 2" narrow stile doors - Specify V50xNS

Dimensions



Riser Diagram



Detex Limited Warranty
 10 Year Mechanical/3 year Electrical
 Limited Manufacturer's Warranty

Listings and Approvals



UL Listed Panic Hardware



UBC 97, Standard 7-2 and UL10B/UL10C for positive pressure



UL Listed Fire Exit Hardware for 3 hours, maximum 4'x10' single doors and 8'x10' pairs of doors



Meets NFPA 80 & 101 for Life Safety



Meets ADA requirements



California State Fire Marshall
 4140-0127:105 and
 3725-0127:108



ANSI/BHMA certified A156.3

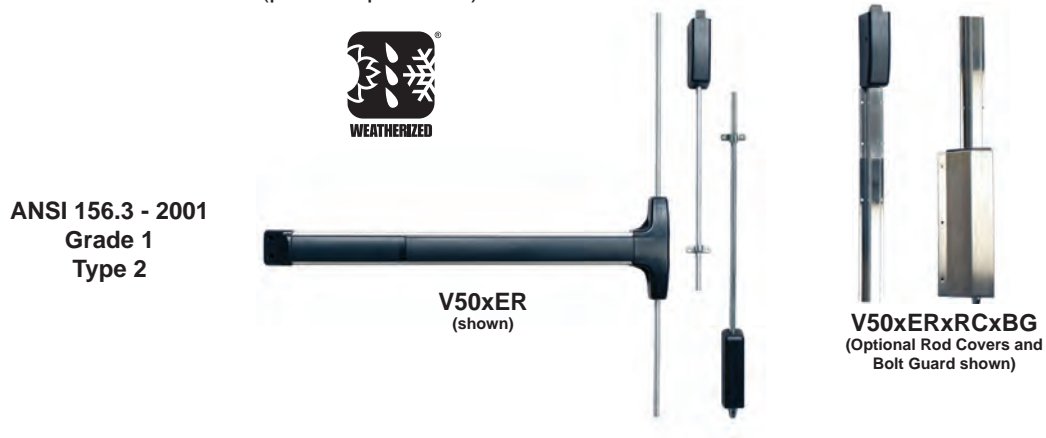
Where Trust is Built™
DETEX®
Life Safety and Security Door Hardware

Detex Corporation
 302 Detex Drive
 New Braunfels, Texas 78130-3045 USA
 PH. (830) 629-2900
 (800) 729-3839
 FAX (800) 653-3839
<http://www.detex.com>
 USA Sales:
marketing@detex.com
 International Sales:
export@detex.com

VALUE SERIES®

Weatherized Electric Latch Retraction Panic Device (V50xERxW / V51xERxW)

The **Electric Latch Retraction (V50xERxW)** exit device option is designed for entrance and exit doors with panic or fire exit hardware where remote unlocking, remote dogging, access control or automatic door operator is desired. In addition to listing as UL panic and fire exit hardware device, this device conforms to UL1034-34 Temperature Section 34, UL1034-54 Dust Section 54, MIL-STD 810F, Method 506.4 (driving rain test); MIL-STD 810F, Method 509.4 (salt fog test) and UBC standard 7-2 (positive pressure).



Benefits

- Durable design provides years of trouble free protection, saving on replacement costs
- Fits almost any door in any décor
- Simultaneous latch/rod and pushpad retraction provides smooth surface with no catch points
- Provides a means for remote dogging and lockdown

Features

- Continuous duty motor with no solenoid
- Handed, field reversible, field sizeable
- Low voltage with no high power in-rush
- Patented mounting plate and strike locator system replaces paper templates
- Momentary or maintained retraction of rods and pushpad
- Long term dogging capability
- Requires 81-800, 82-800 or 83-800 controller and power supply - sold separately
- Optional switches to monitor push pad, specify EXxW

Mechanical Options

- FC-W - Flexible 3' conduit loop and end cap connector
- F - 3-Hour Fire Rated
- BG - Bottom Bolt and 12" ADA ramped cover (630 Brushed Stainless)
- NS - Fits 2" narrow stile glass door
- RC - Rod Covers (630 Brushed Stainless)
- 96 Surface top strike top (std.)
- AL18 - Surface armored loop
- 96B bottom dust proof strike
- V51 - Top Rod Only
- 120 - Fits 10' door height
- Available with 628 aluminum base rail
- Available with 711 black base rail

Electrical Options

- 81-800 - Power Supply for single door
- 82-800 - Power Supply for pairs of doors
- 83-800 - Power Supply for two independent doors
- EXxW - Request to Exit Weatherized
- Latch retraction power supply is required and sold separately

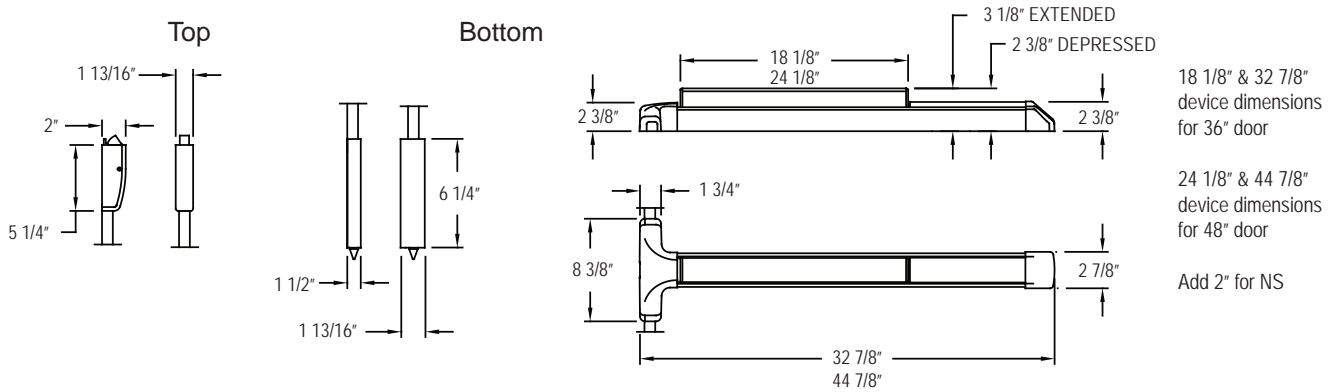
Accessories

- SN1 - Sex Nut Fasteners
- DX Bolts - Hinge Side Bolts
- Outside trim (see Value Series Trim Options)
- NSK - Narrow Stile Conversion Kit - Converts V50 to fit narrow stile glass door applications

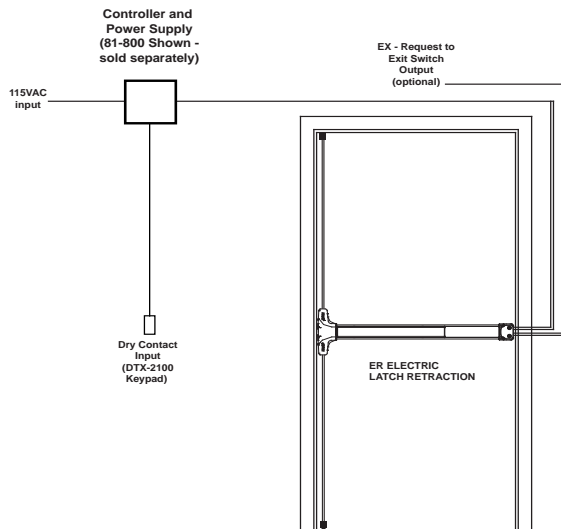
Technical Information

- Voltage - 24VDC
- Door Stile - Fits 3-1/2" stile doors (Std.)
- For 2" narrow stile glass doors specify V50xNS
- 2 Amps to retract pushpad and latch
- 200mA to hold pushpad and latch retracted

Dimensions



Riser Diagram



Detex Limited Warranty

10 Year Mechanical/3 year Electrical Limited Manufacturer's Warranty

Listings and Approvals



UL Listed Panic Hardware



UBC 97, Standard 7-2 and UL10B/UL10C for positive pressure



UL Listed Fire Exit Hardware for 3 hours, maximum 4'x10' single doors and 8'x10' pairs of doors



Meets NFPA 80 & 101 for Life Safety

UL1034-34 Temperature Section 34 [Temperature Range -31°F (-35° C) to 150° F (+66° C)]

UL1034-54 Dust Section 54



California State Fire Marshall 4140-0127:105 and 3725-0127:108



Meets ADA requirements



ANSI/BHMA certified A156.3

MIL-STD 810F (G), Method 509.4 (Salt Fog Test)

MIL-STD 810F (G), Method 506.4 (Driving Rain), Procedure 1

Where Trust is Built™
DETEX®
Life Safety and Security Door Hardware

Detex Corporation
302 Detex Drive
New Braunfels, Texas 78130-3045 USA

PH. (830) 629-2900

(800) 729-3839

FAX (800) 653-3839

<http://www.detex.com>

USA Sales:

marketing@detex.com

International Sales:

export@detex.com

VALUE SERIES®

Electric Request to Exit Switching (V50xEX) High Current / Voltage Switching (V50xEXV)

The V50xEX Electric Request to Exit Switching device, designed for double door applications where electric signaling is required, provides the customer with a means of signaling when the pushpad is depressed. The EX Exit Switching monitors the pushpad and when depressed, will open or close (SPDT) to signal an alarm, send a remote signal to monitor egress, or commence the cycle in a separate delayed egress system.



Benefits

- Priced to be the best value for panic exit hardware
- Provides reliable loss prevention protection 24 hours a day
- Rugged, durable design reduces maintenance
- Integrates with other loss prevention equipment
- Large, steel reinforced pushpad with black ABS cover resists damage
- Secure installation prevents costly mistakes and enhances security
- Fits almost any door in any décor
- Patented back plate and plastic strike locator designed for perfect alignment with door and frame without paper template

Features

- Stainless steel 3/4" deadlocking, Pullman-type top latch bolt
- Bottom drop bolt, 5/8" dia. x 5-5/8" long secures into strike plate
- Heavy-duty angled end cap
- Tamper-resistant switching electronically monitors pushpad
- Tamper resistant housing protects internal switching, preventing manipulation
- Standard SPDT (Form C) switch with three wires, Yellow (N/O), Brown (Common) & Green (N/C), creating either a Normally Open or Closed contact
- Switch capable of signaling at low currents for integration to a central control station
- Handed, field reversible
- To shunt power to an electromagnetic lock, specify EXV

Mechanical Options

- CD - Cylinder Dogging
- HD - Hex Dogging (Std.)
- LD - Less Dogging
- F - 3-Hour Fire Rated
- 36 - Fits 36" Door Width (Std.)
- 48 - Fits 48" Door Width
- 84 - Fits 7' Door Height (Std.)
- 96 - Fits 8' Door Height
- 120 - Fits 10' Door Height
- 96 - Top Surface Strike (Std.)
- 96B - Bottom dustproof strike
- RC - Rod Covers (630 Brushed Stainless)
- BG - Bottom bolt and 12" ADA ramped cover (630 Brushed Stainless)
- NS - Fits 2" Narrow stile glass door
- Available with 628 Base Rail Extrusion (Std.)
- Available with 711 Base Rail Extrusion
- RWE - Red pushpad with white lettering

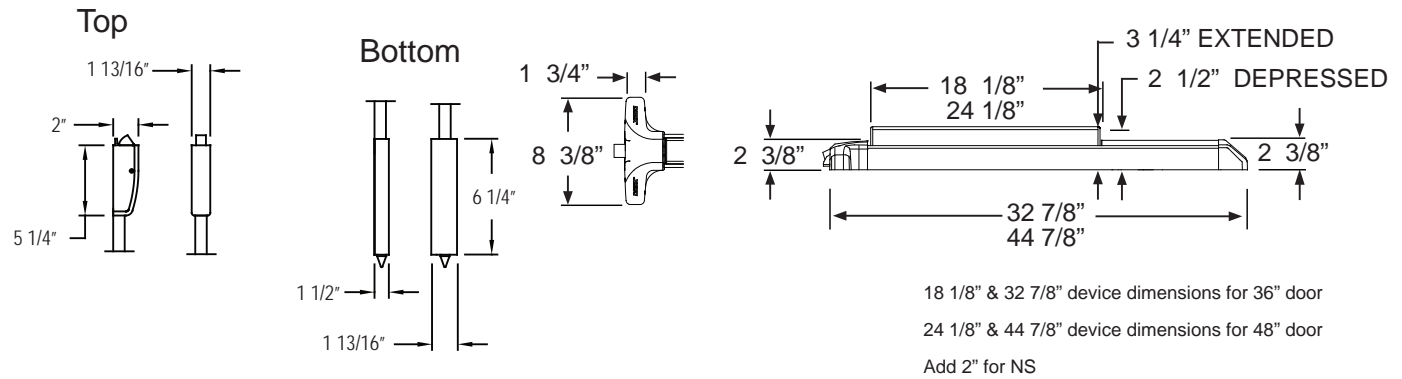
Accessories

- SN1 - Sex Nut Fasteners
- SSK3 - Security Screw Kit
- Outside Trim (see Value Series Trim Options)
- NSK - Narrow Stile Conversion Kit - Converts V50 to fit narrow stile glass door applications
- FC - 3' Flex Conduit Kit, mounts to end cap device
- GB - Glass Bead Kits

Technical Information

- Door Types - Wood, Hollow Metal, Fiberglass or Aluminum
- Door Stile - Fits 3-1/2" stile doors (Std.)
- Machine and Self Drilling Screws (Std.)
- Door Thickness - Fits standard 1-3/4" - 2-1/4"
- For 2" narrow stile glass doors specify suffix V50xNS
- Optional Sex Nuts or Security Torx Screws available

Dimensions



Listings and Approvals



UL Listed Panic Hardware



UL Listed Fire Exit Hardware for 3 hours, maximum 4'x10' single doors and 8'x10' pairs of doors



Meets ADA requirements



ANSI/BHMA certified A156.3



UL10B/UL10C for positive pressure



Meets NFPA 80 & 101 for Life Safety



California State Fire Marshall
 4140-0127:105 and
 3725-0127:108

Detex Limited Warranty

10 Year Mechanical/3 Year Electrical Limited Manufacturer's Warranty



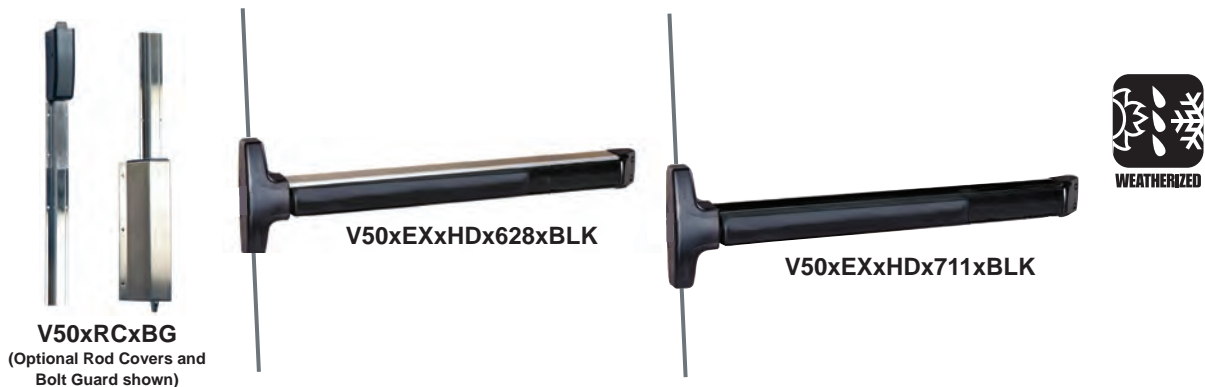
Detex Corporation
 302 Detex Drive
 New Braunfels, Texas 78130-3045 USA
 PH. (830) 629-2900
 (800) 729-3839
 FAX (800) 653-3839
<http://www.detex.com>
 USA Sales:
marketing@detex.com
 International Sales:
export@detex.com

VALUE SERIES®

Electric Request to Exit Weatherized Switching Weatherized Switching (V50xEXxW)

High Current / Voltage Weatherized Switching (V50xEXVxW)

The V50xEXxW Electric Request to Exit Switching device, designed for double outdoor gates and other wet environments, provides the customer with a means of signaling when the pushpad is depressed. The EX Exit Switching monitors the pushpad and when depressed, will open or close (SPDT) to signal an alarm, send a remote signal to monitor egress, or commence the cycle in a separate delayed egress system.



Benefits

- Priced to be the best value for panic exit hardware
- Provides reliable loss prevention protection 24 hours a day
- Rugged, durable design reduces maintenance
- Integrates with other loss prevention equipment
- Large, steel reinforced pushpad with black ABS cover resists damage
- Patented back plate and plastic strike locator designed for perfect alignment with door and frame without paper template
- Secure installation prevents costly mistakes and enhances security

Features

- Stainless steel 3/4" deadlocking, Pullman-type top latch bolt
- Bottom drop bolt, 5/8" dia. x 5-5/8" long secures into strike plate
- Heavy-duty angled end cap
- Tamper-resistant housing protects internal switching, preventing manipulation
- Tamper-resistant switching electronically monitors pushpad
- Standard SPDT (Form C) switch with three wires, Yellow (N/O), Brown (Common) & Green (N/C), creating either a Normally Open or Closed contact
- Switch capable of signaling at low currents for integration to a central control station
- Handed, field reversible
- To shunt power to an electromagnetic lock, specify EXVxW

Mechanical Options

- V51 - Top Rod Only
- CD - Cylinder Dogging
- HD - Hex Dogging (Std.)
- LD - Less Dogging
- F - 3-Hour Fire Rated
- 36 - Fits 36" Door Width (Std.)
- 48 - Fits 48" Door Width
- 84 - Fits 7' Door Height (Std.)
- 96 - Fits 8' Door Height
- 120 - Fits 10' Door Height
- 96 - Top Surface Strike (Std.)
- 96B - Bottom dustproof strike
- RC - Rod Covers (630 Brushed Stainless)
- BG - Bottom bolt and 12" ADA ramped cover (630 Brushed Stainless)
- NS - Fits 2" Narrow stile glass door
- Available with 628 Base Rail Extrusion (Std.)
- Available with 711 Base Rail Extrusion
- RWE - Red pushpad with white lettering

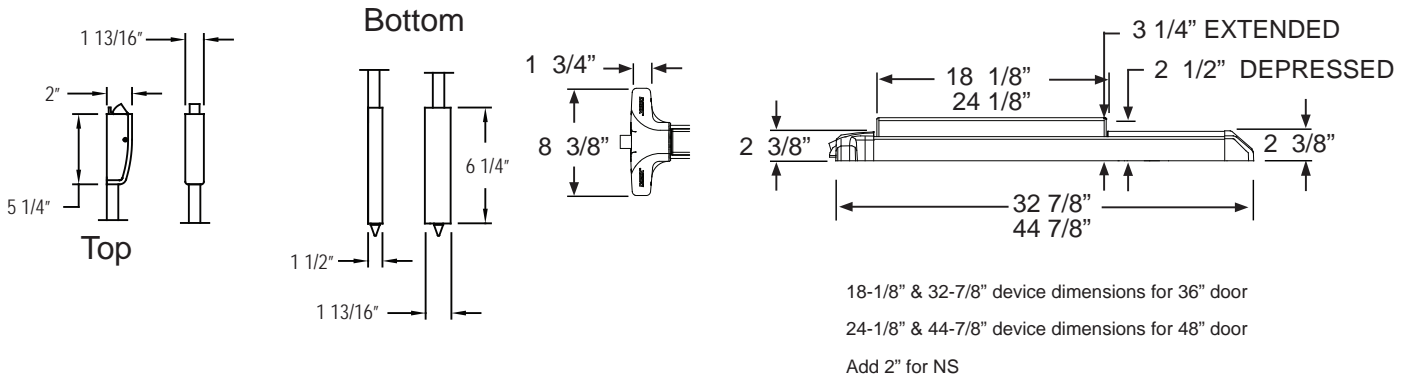
Accessories

- SN1 - Sex Nut Fasteners
- SSK3 - Security Screw Kit
- Outside Trim (see Value Series Trim Options)
- NSK - Narrow Stile Conversion Kit - Converts V50 to fit narrow stile glass door applications
- FC - 3' Flex Conduit Kit, mounts to end cap device
- GB - Glass Bead Kits

Technical Information

- Door Types - Wood, Hollow Metal, Fiberglass or Aluminum
- Door Stile - Fits 3-1/2" stile doors (Std.)
- Machine and Self Drilling Screws (Std.)
- Door Thickness - Fits standard 1-3/4" - 2-1/4"
- For 2" narrow stile glass doors specify suffix V50xNS
- Optional Sex Nuts or Security Torx Screws available

Dimensions



Listings and Approvals



UL Listed Panic Hardware



ULC 97, Standard 7-2 and UL10B/UL10C for positive pressure



UL Listed Fire Exit Hardware for 3 hours, maximum 4'x10' single doors and pairs of 4'x8



Meets NFPA 80 & 101 for Life Safety



Meets ADA requirements



California State Fire Marshall 4140-0127:105 and 3725-0127:108



ANSI/BHMA certified A156.3

Detex Limited Warranty

10 Year Mechanical/3 Year Electrical Limited Manufacturer's Warranty



Detex Corporation
 302 Detex Drive
 New Braunfels, Texas 78130-3045 USA
 PH. (830) 629-2900
 (800) 729-3839
 FAX (800) 653-3839
 http://www.detex.com
 USA Sales:
 marketing@detex.com
 International Sales:
 export@detex.com



List of Accessories

Slide-In Filler Kits

Strikes

Through Bolt Mounting Plate

Cylinders

Cylinder Collars

Cylinder Bracket Kit

Sex Nut Kits

Tools

Security Screw Kits

Narrow Stile Door Kits

Glass Bead Kits

Battery Eliminator

Strikes

All required strikes are provided with exit devices. Replacement strikes are available as follows:



99 Surface - non-roller strike for V40 Series Rim Devices



98 Semi-Mortise - applied strike for V40NS Series Rim Devices

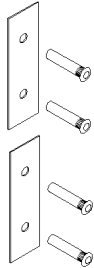


96 Top Surface - non-roller top strike for V50/51 Series Surface Vertical Rod Devices



96 Bottom Dust Proof Strike - for V50 Series Surface Vertical Rod Devices

Through Bolt Mounting Plate Kit for SVR



TMP1 - Through Bolt Mounting Plate Kit for use when replacing surface vertical rods on doors that are damaged or to cover existing exterior holes from previous device.

Kit is standard with two 630 finish plates and four 1/4-20 sex bolts. Contact factory for other finishes.

Cylinders



MC65 Mortise Cylinder - 1-1/8" 6-pin, keyed 5-pin. Available keyed alike or keyed differently. Finishes available: 605, 606, 612, 613, 626



RC65 Rim Cylinder - 6-pin, keyed 5-pin. Available keyed alike or keyed differently. Finishes available: 605, 606, 612, 613, 626



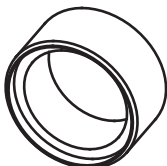
IC7 Interchangeable core cylinder housing - 7-pin, factory installed

Cylinder Collars

Cylinder Collars for 5 and 6 pin cylinders are provided with all outside trim.

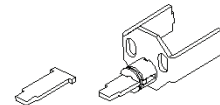


CCS 7/16" Short Cylinder Collar - Cylinder collar for 5 and 6 pin cylinders. Finishes available: 605, 606, 612, 613, 625, 626



CCL 11/16" Long Cylinder Collar - Cylinder collar for 7 pin interchangeable core cylinders. Finishes available: 605, 606, 611, 612, 613, 625, 626

Cylinder Bracket Kit



CBK - Cylinder Bracket Kit consists of bracket and adjustable tailpiece assembly for rim cylinder used with other manufacturer's outside trim

Security Screw Kits

Contains an assortment of screw sizes and types for securing covers in place

SSK3 - Security Screw Kit contains all screws and driver bits to secure the cover, end cap and the strike of the exit device.

Additional Security Driver Tips:

TT-10 - Driver tip for 6-32 Undercut FH screws

TT-27 - Driver tip for 1/4-20 and #14 screws

Bolt Guard (V50 Only)



BG - Bottom Bolt Guard - 12" ADA ramped cover (630 Stainless Steel)

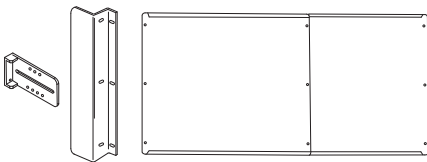
Rod Cover (V50/51 Only)



RC - Rod Covers (630 Stainless Steel)

(Top Rod cover shown)

Gate Plate



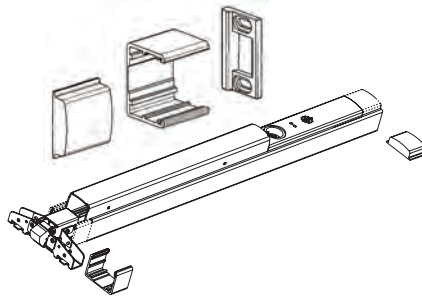
GTPK1T - Adjustable gate plate fits gates 32" - 52" wide. Fits square or round gate frames.

Sex Nut Kit



SN1 - Sex Nut Kit 1/4-20 — 2 per package

Narrow Stile Door Kits



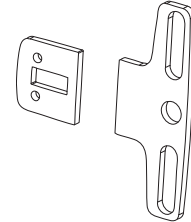
NSK - Narrow Stile Door Kit converts standard Value Series panic device into narrow stile panic device. Required when Value Series exit devices are applied to 36" and 48" glass doors with minimum 2" stiles.

Tools



HDK - Hex Dogging Key - Heavy-duty with overmolded ABS, dogging key is ergonomically designed to resist repetitive motion injuries.

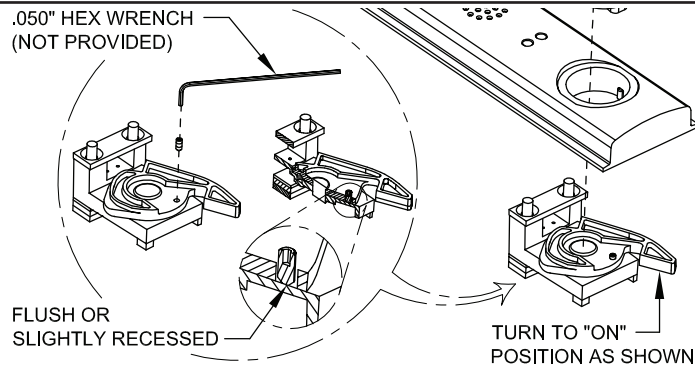
Glass Bead Kits



For use on doors with raised glass beads. Each kit contains one 1/4" shim set. Specify Kit number

Kit Number **GB15** For use with: V40 Series

Key Stop Kit (Set Screw) Alarm always armed when key is removed



Gate Plate Cylinder Trim



03GS - Optional 03 function cylinder trim used on gates (Rim cylinder sold separately)

Where Trust is Built™
DETEx®
Life Safety and Security Door Hardware

Detex Corporation
302 Detex Drive
New Braunfels, Texas 78130-3045 USA
PH. (830) 629-2900
(800) 729-3839
FAX (830) 620-6711
(800) 653-3839
<http://www.detex.com>
USA Sales:
marketing@detex.com
International Sales:
export@detex.com

Accessories

Slide-In Filler Kits

Slide-In Filler Kits allow changes or additions to the device after initial installation. Specify device series and size.



SIF-VS-EB - Slide-In Filler Kit with 100-plus decibel directional piezo alarm provides reliable security and instantaneous alarm. Requires mortise cylinder with standard Yale cam (sold separately).



SIF-VS-EBxW - Slide-In Filler Kit provides weatherized alarm for outdoor or exterior door applications. Includes both remote bypass and remote signaling capabilities. Requires mortise cylinder with standard Yale cam (sold separately).



SIF-VS-EX - The EX Slide-In Filler provides a normally-closed or normally-open contact that can be used for a variety of different uses. Available in hex dogging (shown), cylinder dogging or less dogging.



SIF-VS-EX-W - The EX-W Slide-In Filler provides a normally-closed or normally-open contact that can be used for a variety of different uses in moist, outdoor or other such applications.



SIF-VS-HD - Hex Key Dogging Slide-In Filler Kit provides 1/8 turn dogging and includes dogging key with over-molded, ergonomic grip.



SIF-VS-CD - Cylinder Dogging Slide-In Filler Kit provides 1/8 turn dogging. Requires mortise cylinder with standard Yale cam (sold separately).



SIF-VS-LD - Less Dogging Slide-In Filler can be used on devices manufactured with dogging when this feature may no longer be required.

Where Trust is Built™
DETEX®
Life Safety and Security Door Hardware

Detex Corporation
302 Detex Drive
New Braunfels, Texas 78130-3045 USA
PH. (830) 629-2900
(800) 729-3839
FAX (830) 620-6711
(800) 653-3839
<http://www.detex.com>
USA Sales:
marketing@detex.com
International Sales:
export@detex.com

EXIT CONTROL LOCKS ACCESSORY

BE-961

Battery Eliminator

The BE-961 Battery Eliminator is designed to power security devices such as the Detex ECL-230D, ECL-230X Series, ECL-600 battery powered series exit control locks and V40 alarmed rim exit device without reliance on batteries. Converts AC power to DC for supplying battery-operated devices.



BE-961-1

BE-961-2

Benefits

- Powers security devices without reliance on batteries
- Eliminating the need to annually change 9 volt batteries, saves money, prevents unnecessary battery disposal and creates a greener process
- May be installed on the wall adjacent to the protected door quickly and easily
- 10' Flexible armored cable connects the battery eliminator to the security device without interfering with door use
- LED provides visual status of power
- For extra security, the connecting cable may be concealed in the door using a continuous electric hinge

Features

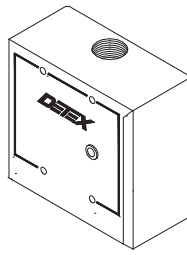
- Available Battery Eliminator Power Supplies:
 - BE-961-1** = 120VAC transformer to 12VAC, 12VAC to 9VDC circuit board
Note: Powers up to three 9V battery devices
 - BE-961-2** = 120VAC transformer to 12VAC, 12VAC to 9VDC circuit board includes secure power/supervisory loop (cutting 9V power will sound BE-961-2 alarm)
Note: For use with ECL products only
- **BE-961-5** = Converts 12VAC to 9VDC
- **BE-961-6** = Converts 24VAC to 9VDC
Note: Conduit and transformer for BE-961-5 and BE-961-6 sold separately
- The BE-961-2 includes an internal alarm which sounds at 95dB if the secure power feed wires are cut or when the ECL unit sounds (for use with ECL products only)

Technical Information

- 9VDC outputs, jumper selectable to the security device
- BE-961-1 and BE-961-2 come with an external transformer
- Line input transient suppression is a standard feature
- BE-961-2 is not for use with EAX and V40 product lines
- Current Output Capacity - .5 Amp

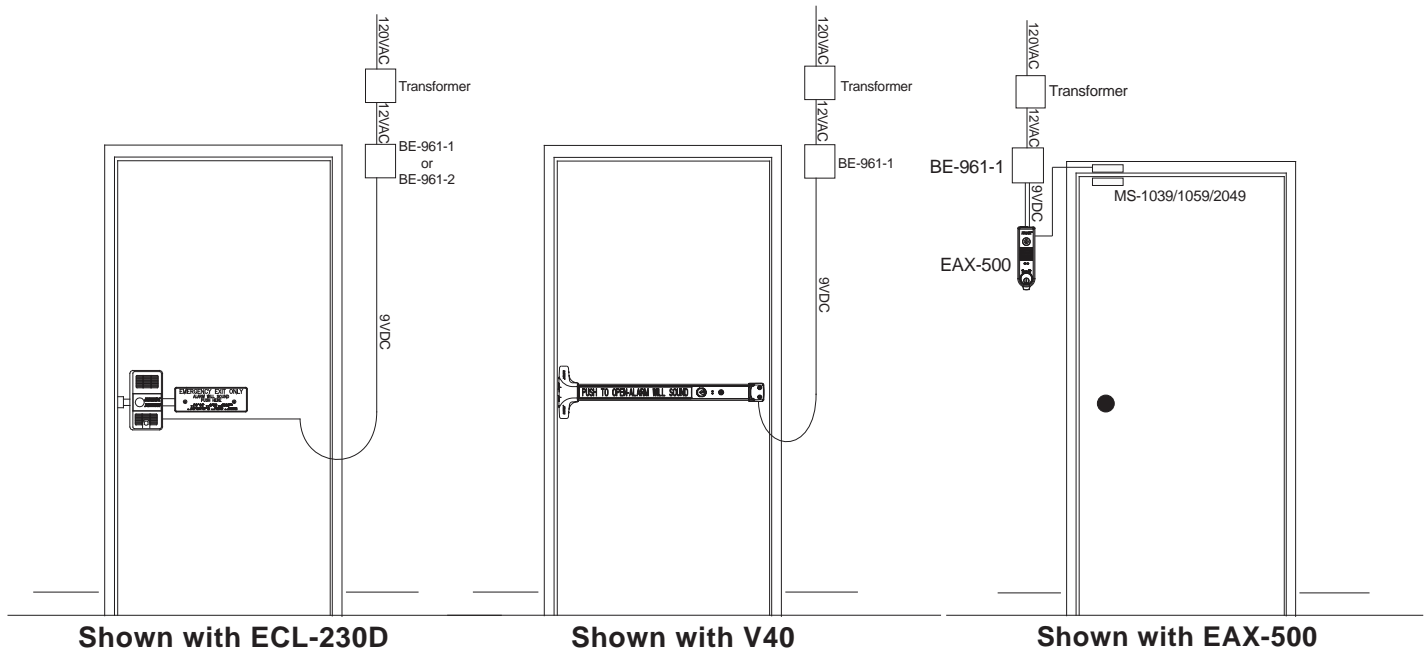
Dimensions

- 4-5/8" wide x 4-5/8" long x 2" deep
- Standard cast aluminum case



Detex Limited Warranty
3 Year Limited Manufacturer's
Warranty

Riser Diagram



Where Trust is Built™
DETEx®
Life Safety and Security Door Hardware

Detex Corporation
302 Detex Drive
New Braunfels, Texas 78130-3045 USA
PH. (830) 629-2900
(800) 729-3839
FAX (830) 620-6711
(800) 653-3839
<http://www.detex.com>
USA Sales:
marketing@detex.com
International Sales:
export@detex.com

Technical Information Contents

Fasteners

Security Screws

Sex Bolts

Handing

Minimum Door Widths Chart

Installation

Cylinder Requirements

Mortise Cylinder Lengths

Cylinder Collars

Narrow Stile Door Kits

Fasteners

Door manufacturer should be consulted for proper mounting fasteners. #14 x 1-1/4 PPH sheet metal screws and 1/4-20x 1" PHP machine screws are furnished standard on all devices and strikes. Fasteners of proper length for door thickness are furnished with devices where trims are through bolted. C and CN Pull trims are furnished with 1/4-20 through bolt for attaching bottom of pull handle.

Security Screws

For added security, pin head screws are available.

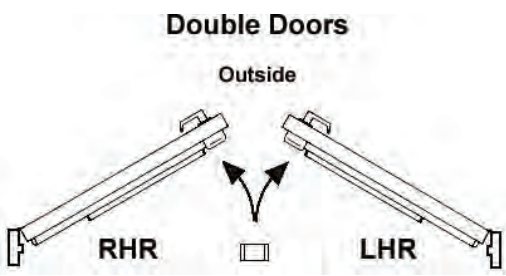
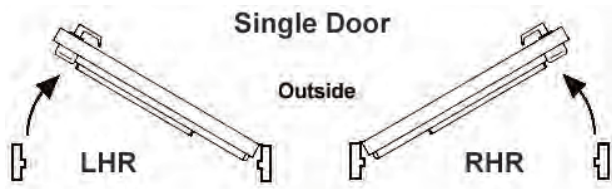
- SSK3 Security Screw Kit for Rim Devices Contains:
- 2 MS 10/32, FH, Undercut
 - 4 MS 6/32 FH
 - 2 MS 1/4-20 BH
 - 2 SMS #14 x 1" BH Type AB
 - 4 Tamper Bits required for above

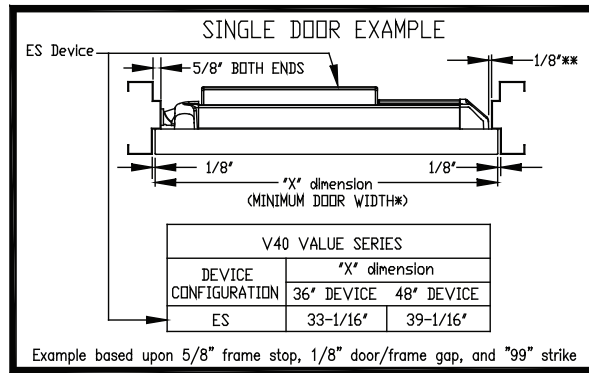
Sex Bolts

If sex bolts are required, see chart below for quantity required for each device.
 SN1 kit contains 2 each 1/4-20 bolts. Specify finish.

Function or Trim	Rim Devices
	V40 Series
01	4
02, 03	2
08, 09 & 14	2

Handing





** DOOR SHOWN WITH 1/8" CLEARANCE FOR END CAP, SOME WEATHERSTRIP REQUIRES ADDITIONAL CLEARANCE. ADDITIONAL CLEARANCE WILL REQUIRE WIDER DOORS.

Charts are based upon 5/8" frame stop, 1/8" door/frame end gap, and "99" strike standard

Minimum Door Widths/Cut Down Chart

V40 VALUE SERIES - STANDARD SILE RIM (99 STRIKE)		
DEVICE CONFIGURATION	"X" dimension	
	3-0 DEVICE	4-0 DEVICE
EB	33"	39"
EH	33"	39"
EI	33"	39"
EM	34-3/4"	40-3/4"
EE	34-3/4"	40-3/4"
ED	34-1/8"	40-1/8"
ER	34-3/4"	40-3/4"
ES	33"	39"
EX	29"	35"
CD	29"	35"
HD	29"	35"
LD	28-3/8"	34-3/8"

- 1) For single door frames with no stop, subtract 1-1/4" from minimum door width
- 2) For Mullion application add 7/16" to each door width
- 3) Standard strike for V40 Series is 99 strike, backset is 2-1/4"
- 4) Standard strike for V40NS Series is 98 strike with no stop, backset is 1-1/8"

Minimum Door Widths Cont'd

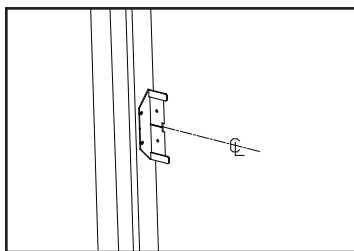
V50 VALUE SERIES - SVR WITH 5/8" STOPS, BACKSET = 1-1/8"		
DEVICE CONFIGURATION	"X" dimension	
	3-0 DEVICE	4-0 DEVICE
EB	32"	38"
EH	32"	38"
EI	32"	38"
EE	33-3/4"	39-3/4"
ED	33-1/8"	39-1/8"
ER	33-3/4"	39-3/4"
ES	32"	38"
EX	28"	34"
CD	28"	34"
HD	28"	34"
LD	27-3/8"	33-3/8"

1) For double door frames without stops, subtract 5/8" from minimum door width

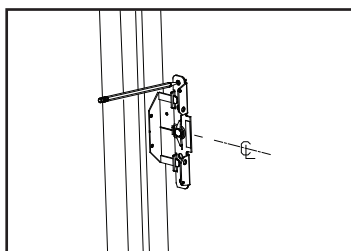
Installation

The patented Value Series mounting plate and strike locator system allows:

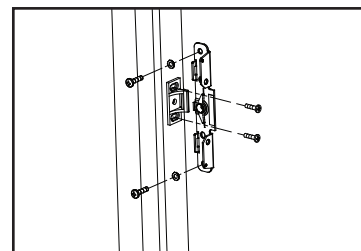
- Quick and easy installation by one person
- Accurate backset every time
- No paper templates
- Square up to door and frame made easy



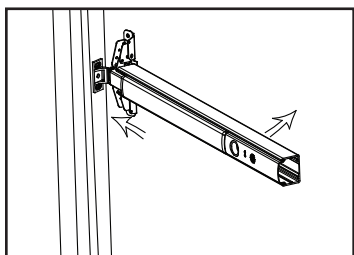
Step 1



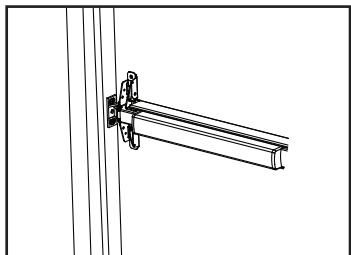
Step 2



Step 3



Step 4



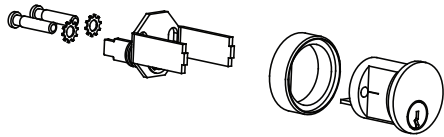
Step 5

Cylinder Requirements

Product	Rim Cylinder	Mortise Cylinder All Use Standard (Yale) Cam
Cylinder Dogging		X
Electrified Options EB, EI, EM		X
All 03 Function Trims	X	
All 08 & 09 Function Trims		X

03 Function Detail

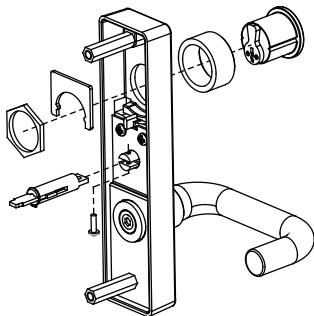
All Value Series 03 Function outside trims are supplied with a self-adjusting tailpiece that correctly fits into the cam on the mounting plate.



Tailpiece Used	Door Thickness
	1-3/4" and 2" Thick Doors
	2-1/4" Thick Doors

Rim cylinder tailpieces are cut to fit into this tailpiece making the cut less critical.

08 & 09 Function Detail

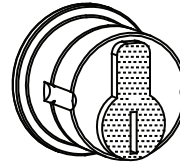


Lever trims come with the adjustable tailpiece which is attached to the escutcheon.

Mortise Cylinder Length

The cylinder assembly in the slide-in filler used for both the cylinder dogging and electrified options are supplied with shims to accommodate cylinder lengths from 7/8" to 1-1/4".

Mortise cylinder



Cylinder Collars

See Accessories for Cylinder Collar lengths.

Narrow Stile Door Kits

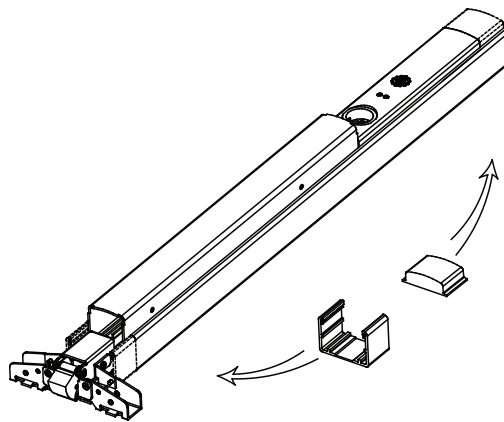
The Detex Value Series Panic Device (V40 Series) is available in two standard lengths, 36" and 48" and is applicable to most standard flush, medium and wide stile doors, 3' to 4' wide. For 2" narrow stile doors, order V40xNS.

Detex V40 Narrow Stile Door Kits

<u>Part Number</u>	<u>Finish</u>	<u>Description</u>
NSK1	628	Clear Anodized Aluminum
NSK2	711	Black Anodized Aluminum

Kit includes #98 semi-mortise strike, conversion pieces and instructions - See illustration below.

For meeting unexpected needs in the field the Narrow Stile Door Kit or NSK is available and converts a standard V40 to narrow stile in less than 5 minutes. This is just another example of the flexibility of the Detex product line.

**Narrow Stile Mounting Plates**

Mounting Plate	V40 Series Functions
BP2	01, 02, 08, 09, 14
BP8	03 only