



Reduce Fence Post Flexing Four Corner Mounting Bracket Hinge



4" Half Bolt-on
CI3740A



6" Half Bolt-on
CI3760A

Half Bolt-on Four Corner Attachable

- Wider brackets enable anchor points to be positioned at the sides, rather than center of fence post - reducing flexing, preventing fatigue in fence post
- High-temperature sealed bearings - safe to powder coat with hinges installed on gate
- No greasing, no maintenances. EVER!
- Precision bushing - distributes gate load for optimal performance and longer life
- CNC machined to perfection and near frictionless movement
- Load rating per gate for 4" and 6": 1,000 lb (450 kg)
- Limited Lifetime Warranty



D&D Technologies®

World's most trusted gate hardware



Choose The Optimal Aluminum Half Bolt-on Solution



NEW CI3740A



NEW CI3740



NEW CI3760A

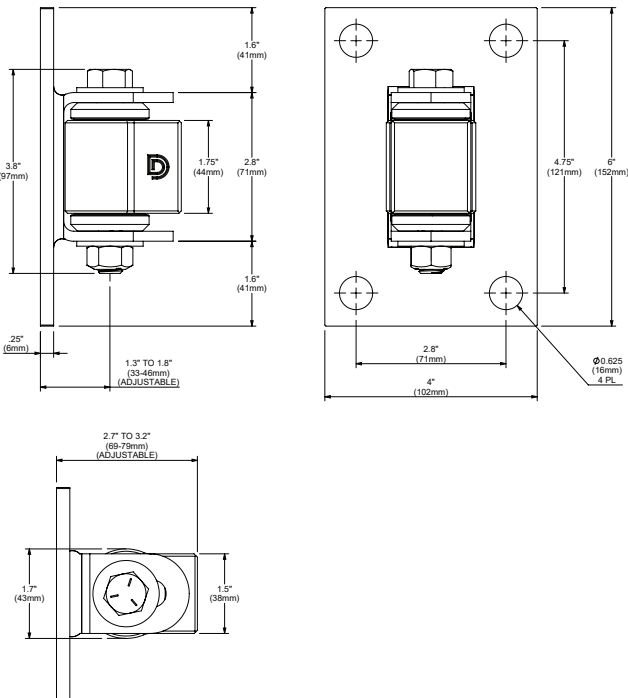


CI3780

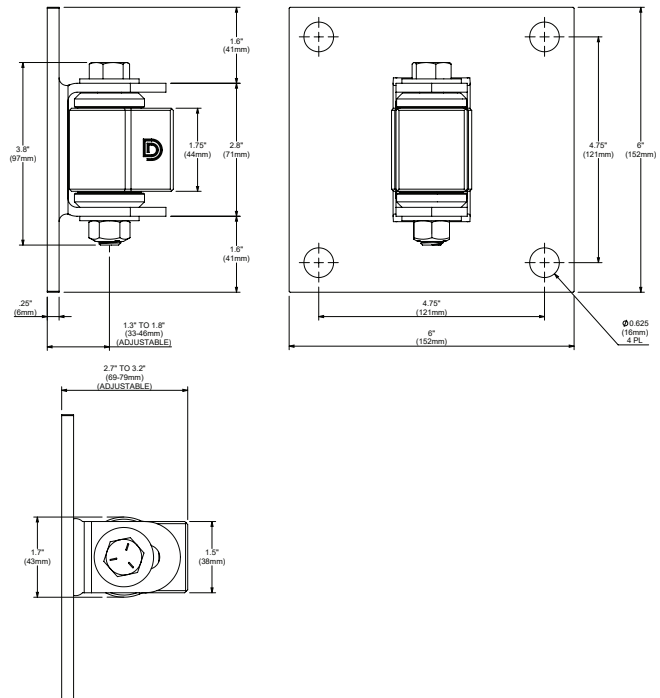
Product Dimensions

Code	Product Description	Gap Variance	Finish	# Sealed Bearings	Max Gate Weight	Max Gate Load	Yoke Material	Body Material
CI3740A	Aluminum Half Bolt-on for 4" Fence Posts	2 ¹ / ₁₆ " - 3 ³ / ₁₆ " (68-81mm)	Unfinished	2	600 lb (270 kg)	1,000 lb (450 kg)	Aluminum	Aluminum
CI3740	Steel/Aluminum Combo Half Bolt-on for 4" Fence Posts	2 ¹ / ₁₆ " - 3 ³ / ₁₆ " (68-81mm)	Zinc	2	600 lb (270 kg)	1,000 lb (450 kg)	Steel	Aluminum
CI3760A	Aluminum Half Bolt-on for 6" Fence Posts	2 ¹ / ₁₆ " - 3 ³ / ₁₆ " (68-81mm)	Unfinished	2	600 lb (270 kg)	1,000 lb (450 kg)	Aluminum	Aluminum
CI3780	Steel/Aluminum Half Bolt-on for 2" Fence Posts	2 ⁵ / ₈ " - 3 ¹ / ₈ " (67-79mm)	Zinc	2	600 lb (270 kg)	1,000 lb (450 kg)	Steel	Aluminum

CI3740A & CI3740



CI3760A



www.ddtech.com

17531 Metzler Lane, Huntington Beach, CA 92647

Tel: (800) 716-0888 or (714) 677-1300

Fax: (800) 464-6400 or (714) 677-1299

E-mail: info@ddtechusa.com



D&D Technologies®

World's most trusted gate hardware