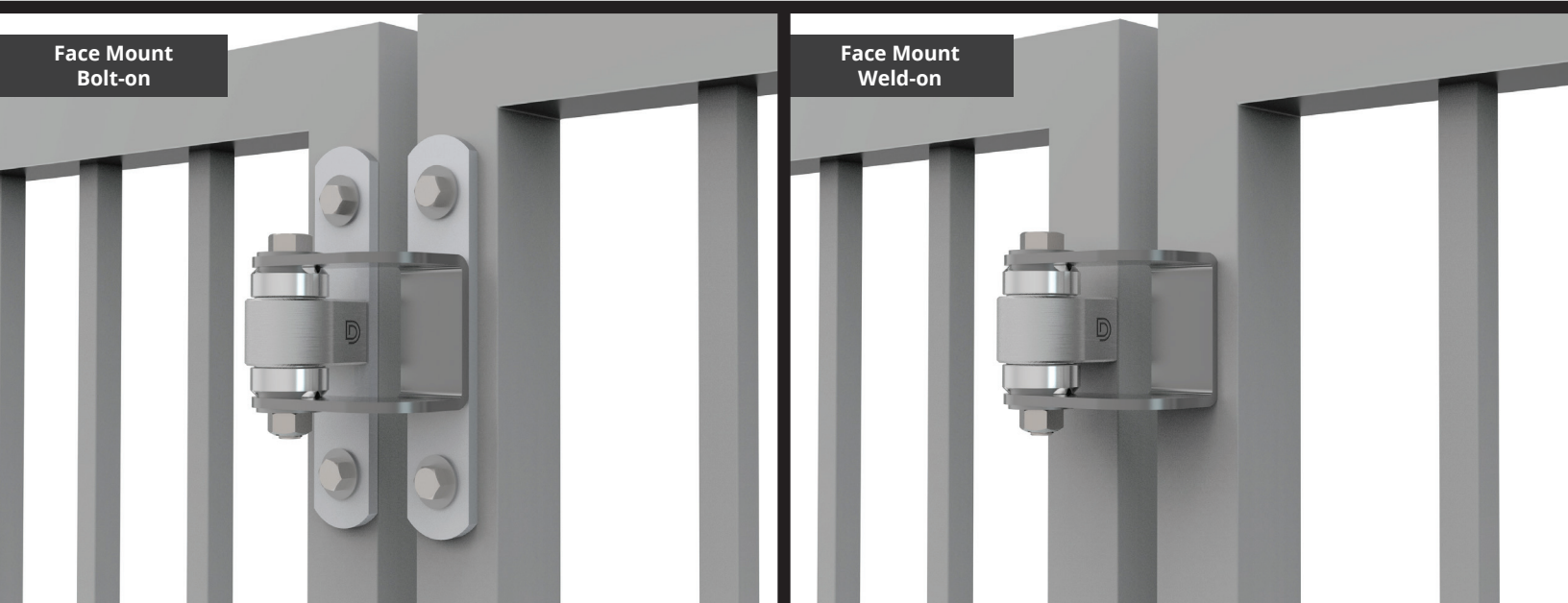




Shut It[®] Face Mount BadAss Gate Hinges

New Face Mount gate hinge opens to a full 180° in one direction for unobstructed passage.
Manufactured with exclusive maintenance-free high-temperature sealed bearings,
safe to powder coat with hinges installed on gate.
Available in bolt-on or weld-on models.



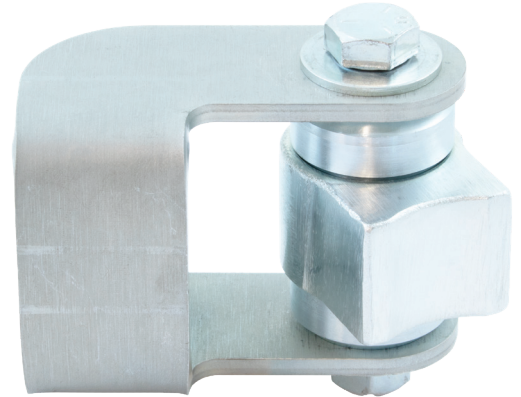
Face Mount Gate Hinge

- Opens gates to 180° for unobstructed pass through
- Horizontally adjustable for perfect installations and proper gate movement
- Adjustability enables gate gaps as small as 1/2" for an aesthetic appearance and heightened security
- Exclusive offering of bolt-on or weld-on versions
- Safe to powder coat with hinges installed on gate
- High-temperature sealed bearings require no greasing – no maintenance. EVER!
- CNC machined to the tightest tolerance in the industry and near frictionless movement
- Maximum gate weight of 1,100 lb (500kg)
- Tested to 1 Million Open / Close Cycles
- Zinc electroplating for long lasting rust and corrosion protection
- Limited Lifetime Warranty

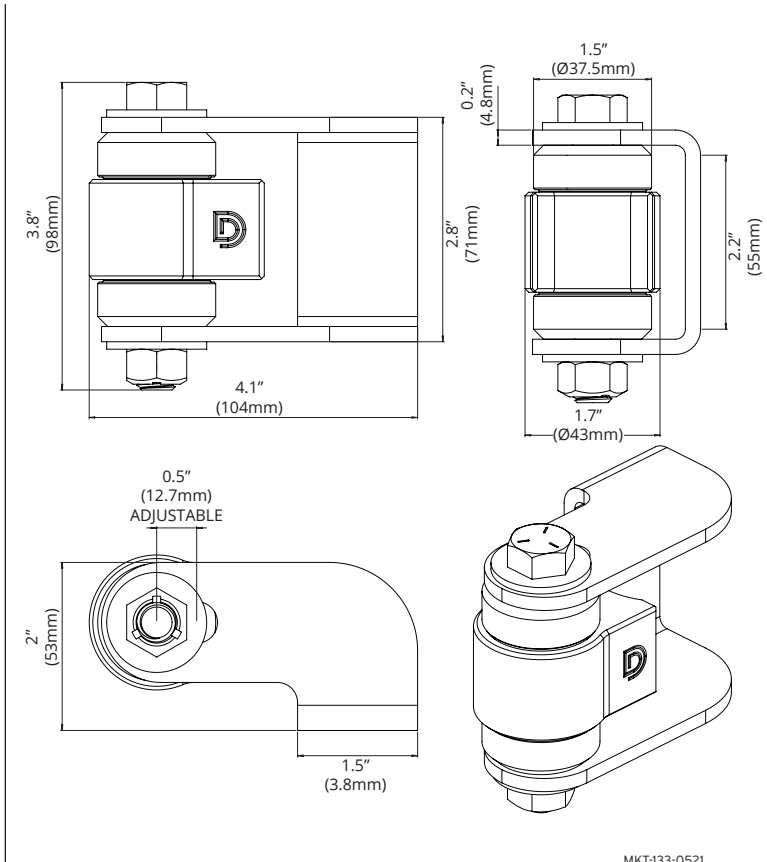
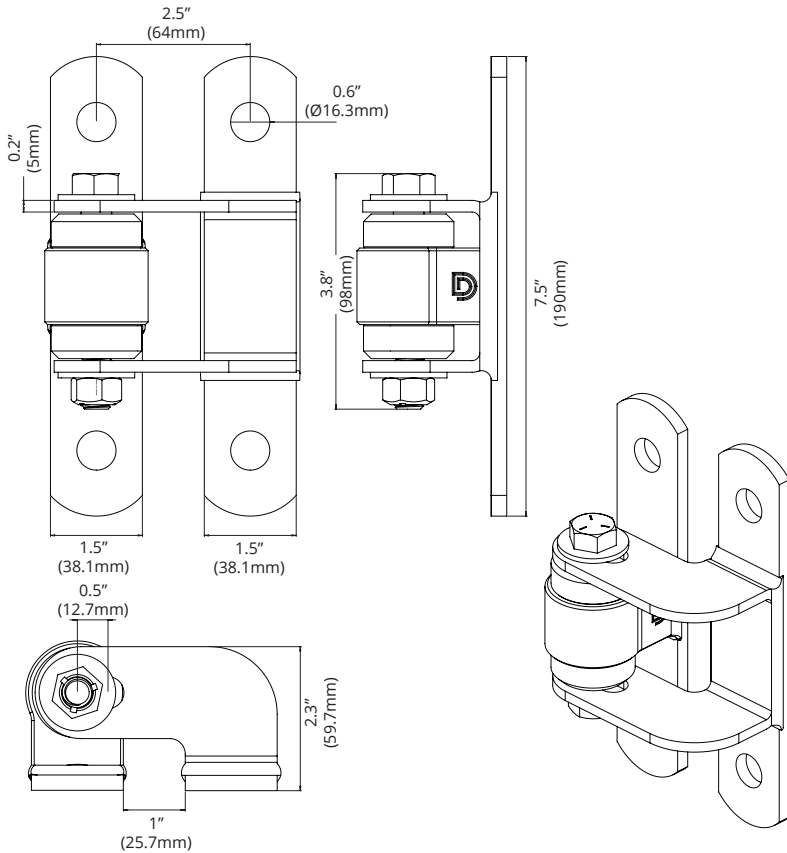
| Code | Product Name | Gate Gap | Finish | # of Sealed Bearings | Max Gate Weight | Max Gate | Yoke Material | Body Material | Height | Weight |
|--------|---------------------------|--------------------|--------|----------------------|------------------|------------------|---------------|---------------|--------------|----------------|
| CI3720 | Face Mount Bolt-On BadAss | 0.5-1.0" (13-25mm) | Zinc | 2 | 1,100 lb (500kg) | 2,000 lb (900kg) | Steel | Steel | 7.5" (191mm) | 3.8 lb (1.7kg) |
| CI3050 | Face Mount Weld-On BadAss | 0.5-1.0" (13-25mm) | Zinc | 2 | 1,100 lb (500kg) | 2,000 lb (900kg) | Steel | Steel | 3.9" (98mm) | 1.8 lb (0.8kg) |



Face Mount Bolt-on



Face Mount Weld-on



MKT-133-0521