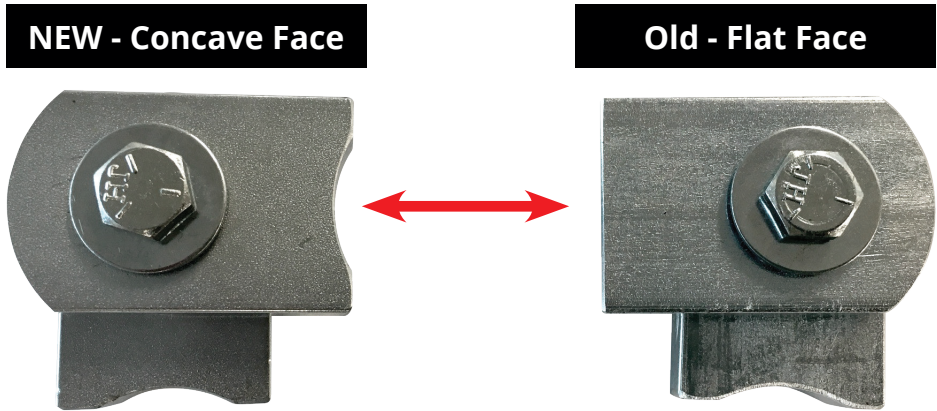




Baby BadAss™ Gate Hinges

NEW: Weld directly to flat or round posts



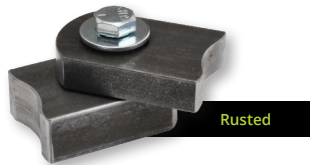
NEW: Fence post and gate frame mounting brackets are both concaved – weld to flat or round surfaces without adapters.

Make common block and barrel hinges obsolete with Baby BadAss™ gate hinges!

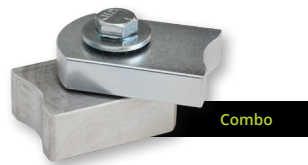
- No adapters needed – weld onto most gates – simple installation
- High-temperature sealed bearings, no greasing – No Maintenance. EVER!
- Horizontally adjustable



Original



Rusted



Combo



Aluminum*

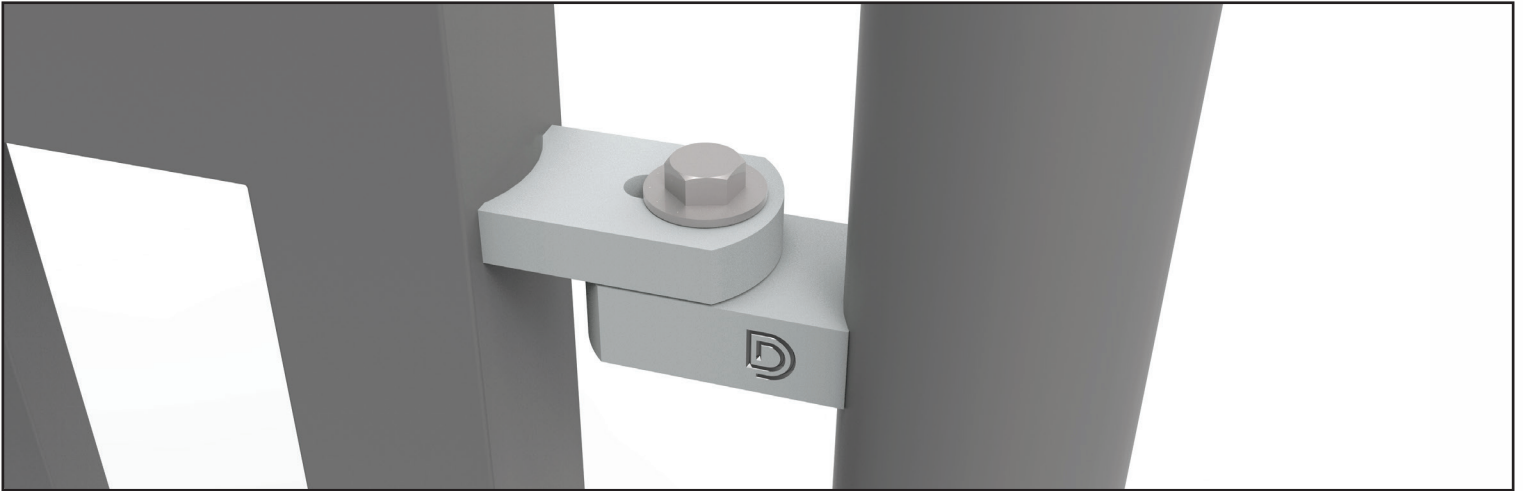
*Model CI3400 has one flat and one curved leaf

Shut It® Baby BadAss™ Gate Hinges

- Horizontally adjustable to ensure precise alignment
- No adapters needed – Welds to flat or round surfaces right out of the box
- Safe to powder coat with hinges installed on gate
- Maximum gate weight of 300 lb (140 kg)
- Tested to 1 Million Open/Close Cycles
- Limited Lifetime Warranty

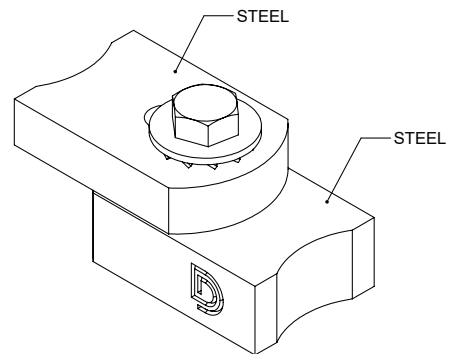
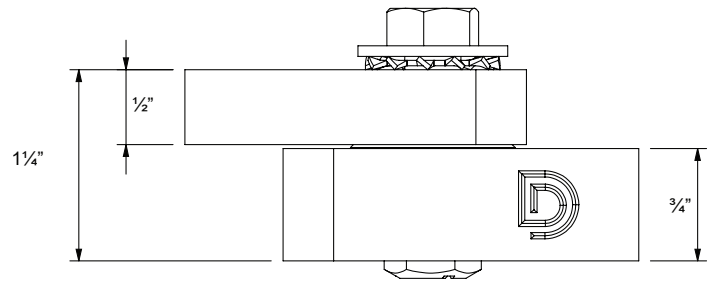
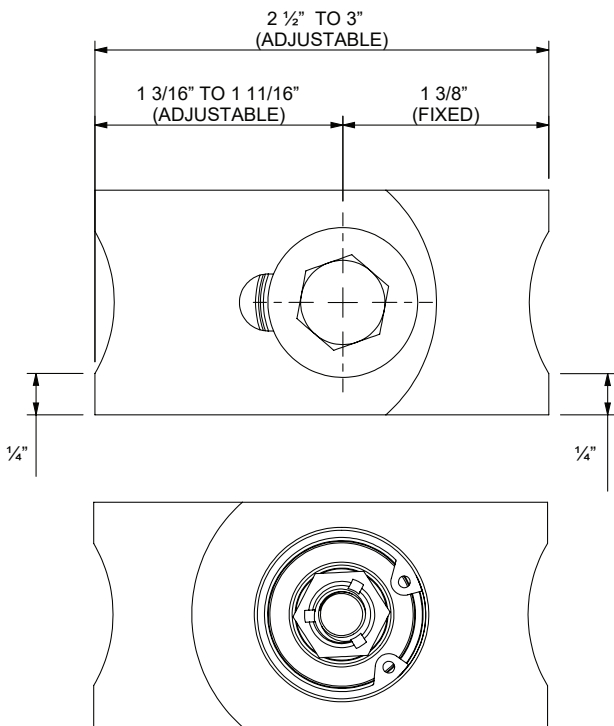


Code	Product Description	Fixing	Gap Variance	Finish	# Sealed Bearings	Max Gate Weight	Max Gate Load	Yoke Material	Body Material
CI3600	Baby Badass [™] Steel	Weld	2½"-3" (64-76mm)	Unfinished	1	300 lb (140 kg)	500 lb (230 kg)	Steel	Steel
CI3620	Baby Badass [™] Rusted	Weld	2½"-3" (64-76mm)	Zinc	1	300 lb (140 kg)	500 lb (230 kg)	Steel	Steel
CI3650	Baby Badass [™] Aluminum	Weld	2½"-3" (64-76mm)	Unfinished	1	300 lb (140 kg)	500 lb (230 kg)	Aluminum	Aluminum
CI3670	Baby Badass [™] Combo	Weld	2½"-3" (64-76mm)	Zinc / Unfinished	1	300 lb (140 kg)	500 lb (230 kg)	Steel	Aluminum



Baby BadAss[™]: weld directly to square or round posts

Product Dimensions



COPYRIGHT © 2021 | MKT-174-1221

www.ddtech.com

17531 Metzler Lane, Huntington Beach, CA 92647

Tel: (800) 716-0888 or (714) 677-1300

Fax: (800) 464-6400 or (714) 677-1299

E-mail: info@ddtechusa.com



5 YEARS ON BEARING



D&D Technologies[®]

World's most trusted gate hardware