

KL10

Private Function - Installation and Operating Instructions

SPECIAL NOTES

Please read carefully:

- Before installing the lock, familiarise yourself with the installation and operating instructions.
- The factory preset combination is 0-0-0-0.
- Your KitLock is supplied ready to fit to doors up to 19mm (3/4") thick.

FITTING INSTRUCTIONS

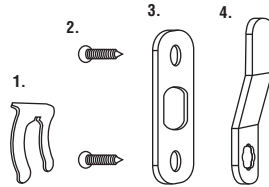
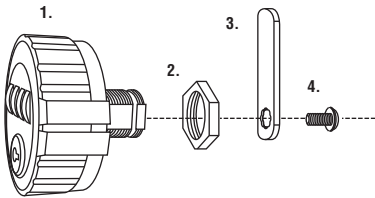
The KitLock can be fitted to cabinets, cupboards and lockers etc. as a direct replacement for existing cam locks. It can also be fitted easily to cupboards and cabinets that do not have an existing locking device.

Fixing Pack A Default Supply

- | | |
|---------------|--------------------|
| 1 KitLock | 3 Straight cam x 1 |
| 2 Hex nut x 1 | 4 Screw x 1 |

Fixing Pack B Optional Additional Fixings

- | | |
|------------------|-----------------|
| 1 Metal Clip x 1 | 3 Washer x 1 |
| 2 Screws x 2 | 4 Crank Cam x 1 |



INSTALLATION GUIDE

A Replace existing cam lock with KitLock

- Step 1 Remove existing cam lock.
.....
- Step 2 Fit the KitLock to the door, passing the spindle through the existing hole.
.....
- Step 3 Now secure the lock by threading the hex nut onto the spindle.
.....
- Step 4 Fit cam and secure with screw.
.....
- Step 5 Now check the operation of the lock using the factory preset combination 0-0-0-0.
.....
- Step 6 If the lock is functioning correctly, change the code using the instructions overleaf.

B New Installation

N.B. Optional **Fixing Pack B** (above) may be required.

- Step 1 Mark a position at a suitable distance from the door edge, ensuring enough clearance for the cam to work.
.....
- Step 2 Using the 'Typical Door Prep.' dimensions (see overleaf), drill a hole to suit.
.....
- Step 3 Continue installation from step 2 to 6, left.

CHANGING THE CODE

- 1 With the indicator in the open position, turn the dials to the factory preset combination 0-0-0-0.
Note: If you have already changed the code, use your current combination for this step.
- 2 Depress the Reset Button fully and hold, turn the dials to your desired combination.
Note: Do not let go of the Reset Button while setting your combination.
- 3 Release the Reset Button after checking your combination is correct.
Note: The outer casing will turn freely between the open and locked position until the combination has been scrambled.

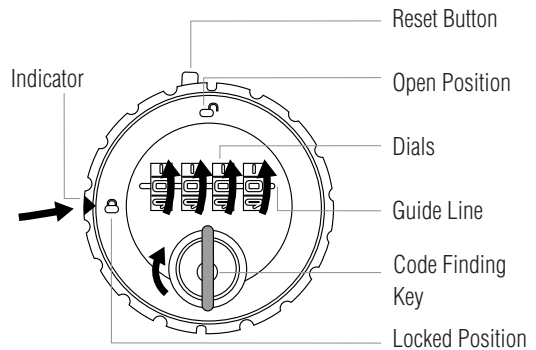
HOW TO USE YOUR LOCK

- 1 Once you have chosen and set your combination, turn the outer casing so the indicator is in the locked position.
- 2 Make a note of your chosen combination and scramble the dials. The lock is now locked.
- 3 To reopen, rotate the dials to your chosen combination and turn the outer casing so the indicator is in the open position.
Note: Your chosen combination will continue to operate the lock until it is changed.

FINDING THE CODE

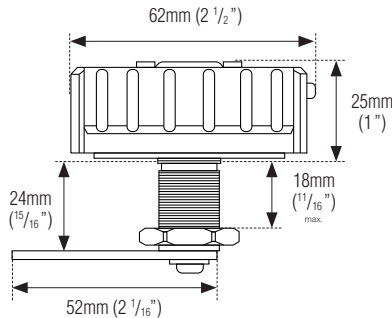
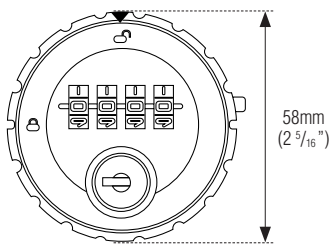
Note This function requires the Code Finding Key (sold separately).

- 1 Insert the Code Finding Key when the indicator is in the locked position.
- 2 Turn the key clockwise 90 degrees.
- 3 Gently rotate each dial upwards until it stops. This is your code.
- 4 Turn the key anticlockwise 90 degrees and remove.

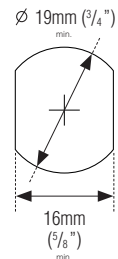


DIMENSIONS

KL10



Typical Door Prep.



CODELOCKS Ltd. UK CODELOCKS EU B.V. CODELOCKS Inc. US CODELOCKS (Australia) PTY LTD

sales@codelocks.com

sales@codelocks.eu

sales@codelocks.us

sales@codelocks.com.au

www.codelocks.com

www.codelocks.eu

www.codelocks.us

www.codelocks.com.au

Helpline, service & spares

Helpline, service & spares

Helpline, service & spares

Helpline, service & spares

Phone: 0800 393 405

Phone: +31 53 80 80 118

Toll free: 1.877.codelock

Toll free: 1800 052 131



CODELOCKS
control + convenience