



SIMPLE MECHANICAL KITLOCK



Introducing the KitLock KL10. Designed with simplicity in mind, the KL10 offers mechanical keyless access suitable for a variety of lockers, cabinets and cupboards.

A durable, compact, easy to use mechanical lock. Designed to be both retrofitted or installed on new cabinets. Changing or resetting the code can be completed easily while the lock is still on the door, or if the code has been forgotten it can be retrieved using the master key.



Easy to install



Mechanical keyless access



Two year limited warranty*



Private Function Only

FEATURES

- Easy to install and retrofit
- Locked and unlocked indicators
- 4 wheel code combination
- Up to 10,000 unique combinations
- Black powder coated finish
- Private function only
- Easy grip outer casing
- Code retrieval function
- Master key available
- Suitable for interior use only



FUNCTIONS



Private Function

This function is used where the same code will be repeatedly used, e.g. an employee with the same locker/drawer in the workplace.



Code Retrieval

This function requires the Master Key (sold separately). Allows a code to be retrieved should it be forgotten or emergency access is required.

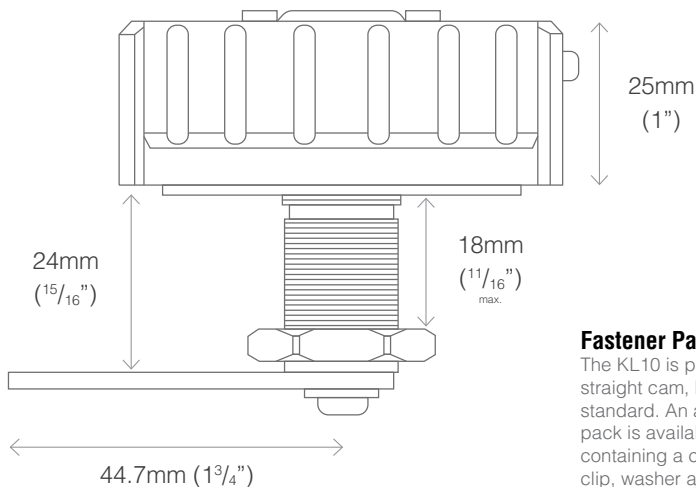
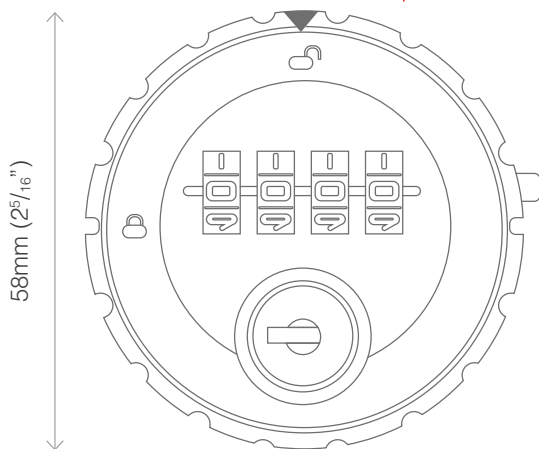
TECHNICAL SPECIFICATIONS

FEATURE	DESCRIPTION
Functions	Private function only
Housing	Zinc Alloy
Code Length	4 digit
Code Storage	Single code
Suitable For	Interior applications only
Spindle Length	Fixed spindle suitable up to 18mm (11/16") thick
Handing	Non-handed
Door Prep	19mm (3/4") diameter
Indicators	Locked / unlocked
Installation	Nut supplied - additional washer / clip available separately
Cam	44.7mm (1 3/4") straight cam supplied 50mm (2") crank cam available separately

Note: Not suitable for Chlorine environments.

PRODUCT DIMENSIONS

ACTUAL SIZE!



Fastener Pack

The KL10 is provided with a straight cam, hex nut and screw as standard. An additional fastening pack is available to purchase containing a cranked cam, metal clip, washer and two screws.



Scan to shop!

www.kitlock.com

