



# LEVER HANDLE MECHANICAL



Medium duty mechanical locks with full size lever handles. Ideal for use in environments where a lever operated lock would be preferred.

The CL400 range of locks offer a variety of functions, allowing users flexibility on how to manage entry - by code or code free access.



Easy to install



Suitable for wooden/metal doors



Limited lifetime warranty\*

**8,191**

Total code combinations

## FEATURES

- Full size lever handles with return to door
- Code Free access options
- Suitable for interior and exterior use
- Tubular latch and mortise lock models available
- Tumbler alignment for easy code change
- Selected models available in stainless steel or polished brass finish
- Neoprene seals included



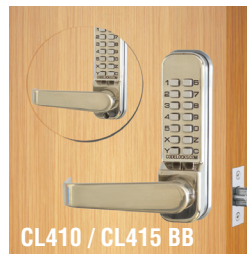
## LOCK MODELS



CL410 / CL415

### Tubular Latch

Medium duty deadlocking latch. Latch retracts by turning inside handle freely, or the outside handle after code input.

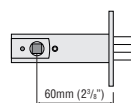


CL410 / CL415 BB

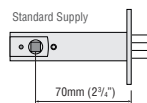
### Back to Back Option (BB)

Medium duty tubular latch. Two coded plates for installation on both sides of the door. Provides coded access in both directions.

### Two Tubular Latch Sizes Available:



Requires 1" x 3 1/4"  
(25mm x 82mm) hole



Requires 1" x 3 5/8"  
(25mm x 92mm) hole

## ADDITIONAL FEATURES

### Code Free Access

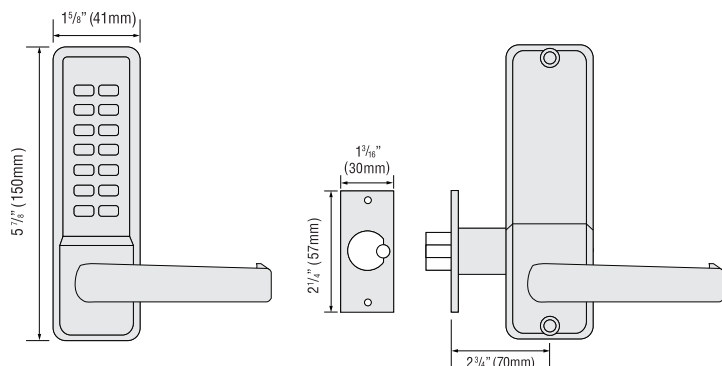
The CL415 models provide a passage function. These models feature a black dot on the 'Y' button. When the 'Y' button is pressed along with a correct code input, the lever will retract the latch freely until disabled.

### Code Change Method

Requires removal of the lock from the door. The code can be changed by repositioning the colored tumblers in the code chamber. Locks are supplied with a random code commencing with the 'C' clear button.

## PRODUCT DIMENSIONS

### CL410 CL415



## TECHNICAL SPECIFICATIONS

FEATURE	DESCRIPTION
Spindle Type	Two part 8mm (5/16") spring loaded spindle
Tubular Latch	Medium duty deadlocking latch
Material	Zinc Alloy
Finish Color	Stainless Steel & Polished Brass
Non Handed	Locks will fit doors hung on the left or right
Door Thickness	1 3/8" - 2 3/8" (35mm - 60mm)
Codes	8,191 non sequential code combinations available
Code Storage	Single Code
Buttons	14 stainless steel buttons
Install Options	Vertical only
Suitable For	Interior and exterior use



Scan to shop!

[www.codelocks.com](http://www.codelocks.com)

