

FEATURES

- Max 5MP Resolution
- Supports 9 Different Video Formats
- Supports 5MP, 4MP, 2MP, and Analog Resolution
- Supports AHD, TVI, CVI, and Analog Video Formats
- 3.3 – 12mm Varifocal Lens
- IP66 Weatherproof Rated Housing
- 12VDC

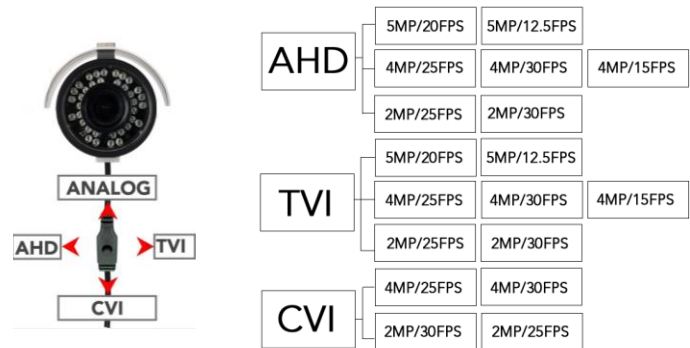
SPECIFICATIONS

Image Sensor	1 / 2.7" CMOS
Resolution	2560 (H) x 1920 (V) 1920 (H) x 1080 (V)
Effective Pixels	5MP / 4MP / 2MP
Focal Length	3.3 – 12mm Varifocal Lens
IR Distance	30pcs Flux IR Up to 85 Feet
Output Mode	AHD / TVI / CVI / Analog
Min. Illumination	Color: 0.1 Lux White / Black 0.1 Lux (with IR LED On)
AGC	Auto
WB	Auto
AES	NTSC: 1/60s ~ 1/10000s PAL: 1/50s ~ 10000s
D/N Conversion	ICR Mechanical Switch
Contrast	10 Level Can Be Adjusted
Sharpness	20 Level Can Be Adjusted
Saturation	20 Level Can Be Adjusted
DNR	15 Level Can Be Adjusted
Video System	NTSC
DWDR	ON/OFF
S/N Ratio	More than 48 dB
Storage Temp.	-40°C ~ 140° C
Operating Temp.	-40°C ~ 131° C
Power Supply	12VDC
Weight (lb)	1.3 lbs



Angelo 9 - NINE FORMATS IN ONE CAMERA

The Bolide Angelo 9 Camera supports 9 different video formats. Using the Quickswitch joystick built-in to the camera chord, the user can switch between AHD, TVI, CVI, and analog modes. After accessing the on-screen display via DVR or camera, the camera can be set to support 5MP, 4MP, and 2MP resolutions to make it the most supported HD over coax camera in the market



DIMENSIONS

