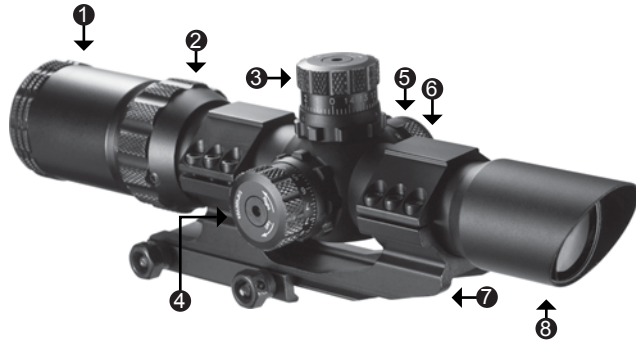


1-4x28 IR SWAT-AR Scope Manual



Parts of the Scope

1. Eyepiece
2. Zoom Ring
3. Elevation with Lockable Bell
4. Windage with Lockable Bell
5. Rheostat
6. Battery Compartment
7. Ring Mount
8. Angled Objective Lens
- Objective lens is set back in the housing to allow the sun shade to cast a shadow and reduce glare. Remove Flip up Covers to reveal sunshade.



WARNING
BE CERTAIN THAT YOUR FIREARM IS NOT LOADED
AND POINTED AWAY FROM YOU IN A SAFE DIRECTION

DIRECTLY VIEWING THE SUN OR ANY LIGHT SOURCE WITH THIS OPTICAL DEVICE CAN CAUSE PERMANENT EYE DAMAGE.

Use safe gun handling procedures at all times.

ATTENTION: All shooting should be done in an approved range and in a safe area and that eye and ear protection is used

DANGER: If you used a bore sighting collimator or another bore obstructing device, remove it before proceeding. If the barrel has been drilled for a mount, ensure that the screws do not obstruct the bore. Do not fire live or even blank ammunition with an obstructed barrel as any obstruction can cause serious damage to the gun and the possible injury to yourself and other people around you.

Focusing

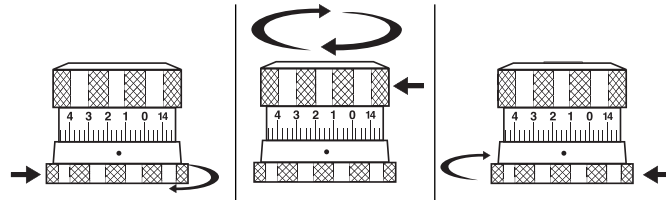
1. Hold the scope about 2 to 3 inches (6 to 10 cm) away from you eye and look through the eyepiece until you see the full field of view.
2. If your reticle isn't sharp, turn the eyepiece focusing ring in either direction until the image seen is sharp and focused.

Mounting

1. Make sure you have the appropriate rail for your rifle, if not your firearms dealer will assist you.
2. Place and secure the scope onto the mount ring. Once you have fitted the scope to your desired position, tighten the mount ring down onto the rail.

Pre-Zeroing

1. Pre-zeroing sighting can be done with scope guide or a shot shaver which can be obtained from your firearms dealer.
2. With scope mounted set zoom to mid power and rest the rifle on a steady support.
3. Look through the bore from the breech at a target 50 yards away. Move to butt stock so that the target is in the center of the bore.
4. Without moving the rifle, loosen the lockable bell of the scope at the base of the turret by turning it counter clockwise with fingers (see image below)
5. Turn the windage and elevation adjustment dials in the direction you wish the bullet's point-of-impact to change. (up/down, left/right)
6. Tighten the lockable bell of the scope at the base of the turret by turning it clockwise.



Note: If a large amount of windage and elevation adjustments are needed to bore sight, make half of the scales available adjustments at a time for the windage and elevation.

Boresighting

Bore sighting your rifle scope with you rifle will allow you to quickly and more accurately "zero in" or "sight in" your rifle scope to the correct shooting distance. You will always need to shoot a test group of shots after you bore sight your rifles to you rifle. Bore sighting your rifle scope will reduce wasting ammunition when targeting in your rifle during test shooting.

Example: You have a newly mounted zoom power rifle scope on a rifle and aim at a target 100 yards away. You aim for the center of the target with the scope and fire for the first time, but you see no impact on the target in the view of the scope. If you were not able to see where the bullet actually landed then you would need to guess how you need to adjust the scopes windage and elevation on the next shot. You would need to continue shooting multiple test shots and adjusting the scope until the actual impact of the bullet comes into view of the scope. This will waste time and ammunition.

Why does this happen? A newly mounted rifle scope's actual zero point on a rifle is unknown due to many variables; type of scope base, height of mounting rings, type of rifle, type of ammunition etc.

Zeroing

Set scope zoom to the max power, and adjust the windage and elevation knobs as needed to correct the aim.

After zeroing in your scope, you can follow pre-zeroing procedure to scale back to zero.

Each click adjustment of the windage and elevation changes/moves the bullet strikes by the amount in chart below

1/2" MOA

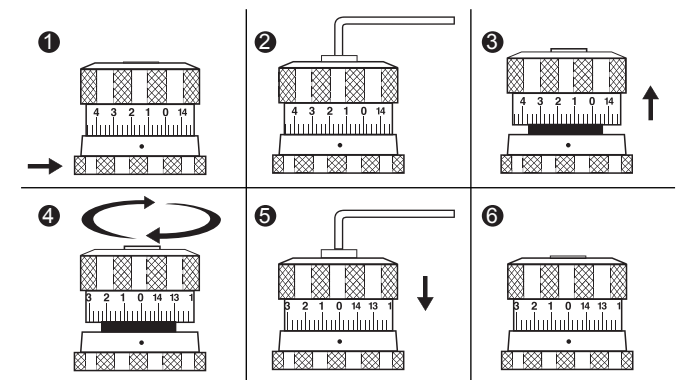
WINDAGE / ELEVATION (inches per click or movement)			
25yds	50yds	100yds	200yds
1/8 inch	1/4 inch	1/2 inch	1 inch

Re-Zeroing

Re-zeroing scale back to zero is optional and should only be done after zeroing in your scope.

WARNING: Turning the hex screw too tight or too loose can cause damage to the scope

1. Loosen the lockable bell at the base of the turret by turning it counter-clockwise.
2. Loosen hexagon screw by turning counter clockwise until the screw hits the stopper screw inside. About 1-1½ turn of the allen wrench.
Note: The hexagon screw CANNOT be totally removed.
3. Pull the turret cap gently up to disconnect it from the drum inside.
4. Turn the cap to reset the scale to zero.
5. Hold the cap and turn hexagon screw clockwise to lock the cap 1-1½ turn of the allen wrench.
6. Your scale is now re-zeroed.



Illuminated Mil-Dot Reticle

The black mil-dot illuminates to red for low light targeting or green for daylight targeting. The adjustable reticle brightness offers variable lighting intensities. When replacing batteries use CR2032 with the "+" side up.