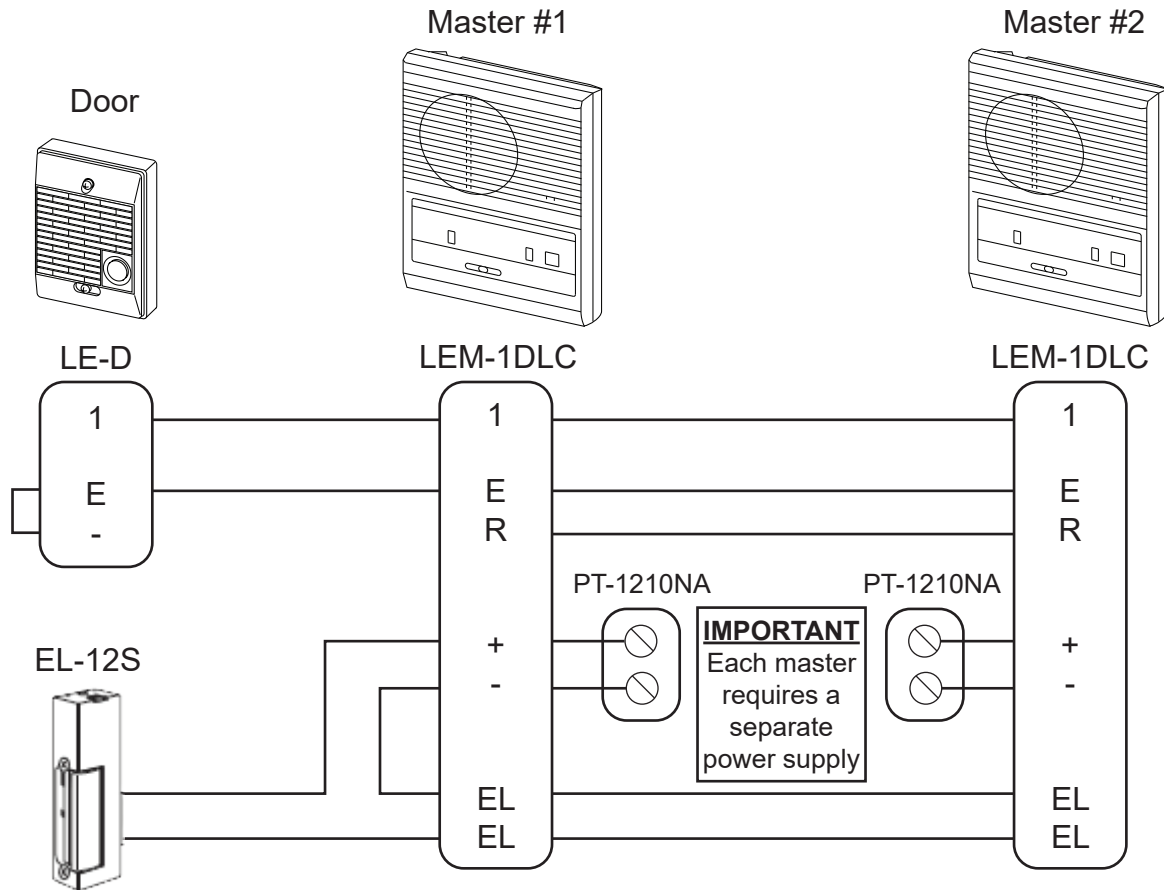


# LEM-1DLC

## Master Station for Multiple Master Use, with Occupied Lamp



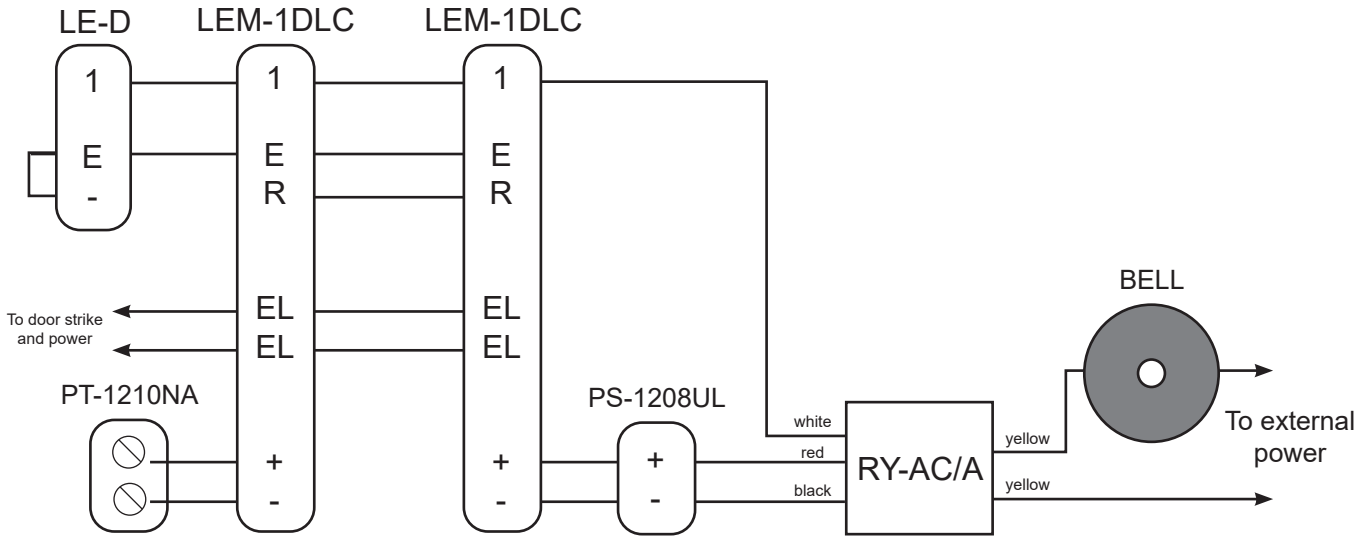
### **INSTALLATION GUIDELINES**

1. Separate power supplies are required at each master station. **DO NOT CONNECT +/- WIRES BETWEEN MASTERS.** Keep wires for power and communication in separate jackets.
2. The door strike can be powered from one of these power supplies (as shown) or from an independent source. See specifications on page 2 for door release contact rating.
3. The EL-12S door strike is designed for a standard wood framed door, and for light to medium usage. If a different type of door or door frame is used, install a door strike appropriate for that door.
4. The LEM-1DLC provides a normally open (N/O) contact closure for door release.

### **OPERATION NOTES**

1. Only one master station can be used at a time.
2. When the TALK button is pressed on the answering master station, the red LED above the OFF switch will light on both masters. This feature is controlled by the "R" wire between master stations.
3. When the OCCUPIED light is illuminated, do not press the TALK button on the non-answering master stations, or feedback will be heard throughout the system. If this occurs, turn off one of the master stations by pressing the OFF button. At that time, communication between the door and answering master station can continue normally.
4. Communication is not possible between master stations.

**External Signaling:**  
**Trigger an external bell or sounder when a call is placed**



**NOTE:**

1. The RY-AC/A relay will need to share a 12V DC power supply with the LEM-1DLC it is directly connected to. Any additional LEM-1DLC master stations in the system will require a separate power supply.
2. The LEM-1DLC not sharing a power supply with the RY-AC/A can use an AC power supply, like the PT-1210NA.
3. RY-AC/A Contact: N/O dry contact, 240V AC, 0.3V or 24V DC, 1A

**Specifications**

Power Source: 12-16V AC or 12-24V DC  
 Power Draw: 4W (16V AC) or 200mA (24V DC) max.

Relay Output: N/O dry contact, Max. 30V AC/DC, 1A

Communication: Push-to-talk, release-to-listen at master (w/speech volume control)

Output Volume: 100mW

Dimensions: 7"H x 5-1/2"W x 2-1/4"D. 180H x 143W x 55D (mm)

Wiring: Door to Master: 2-cond. overall shield, separate pair for door release  
 Master to Master: 3-cond. overall shield, separate pair for door release

Wiring Distance: (feet Ø) (mm Ø)

AWG	22	20	18	Diameter	0.65	0.8	1.0
Distance	650'	980'	1,570'	Distance	200m	300m	480m