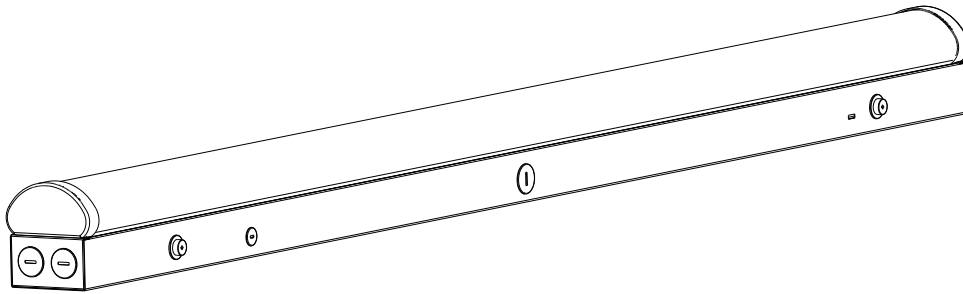




# LED Linear Strip Light

Tunable Watt & Tunable CCT

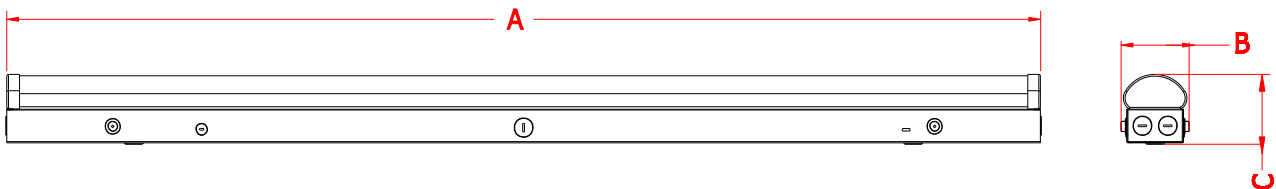
# Product Appearance



# Product Features

- 1. cUL DLC5.1 listed
- 2. Power optional: 4FT,30W-35W-40W // 8FT,40W-50W-60W // 8FT,60W-70W-80W
- 3. Lumen efficiency: Super bright 150lm/W
- 4. 0-10V dimmable
- 5. Input voltage: 100-277VAC
- 6. Installation: Surface mounted // Suspension // Recessed
- 7. Five year warranty

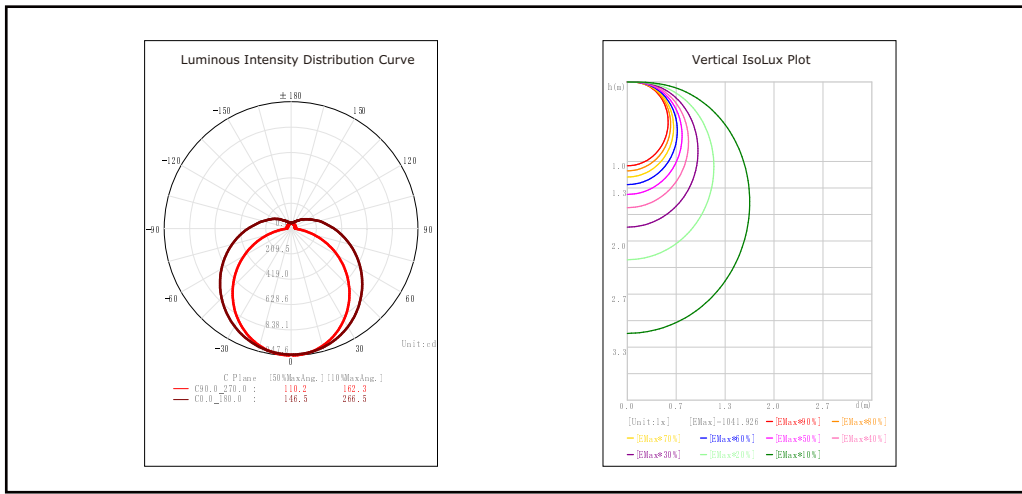
# Product Dimension



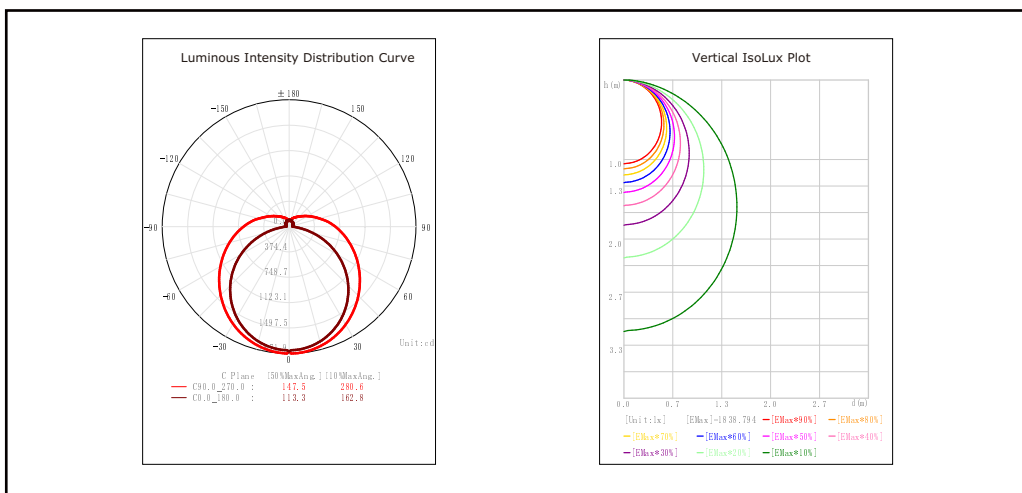
Mode	size	A (inch)(mm)	B (inch)(mm)	C (inch)(mm)
GL-ST01-40W-HY	4FT	48.03" 1220mm	3.28" 82mm	3.28" 82mm
GL-ST03-60W-HY GL-ST03-80W-HY	8FT	95.98" 2438mm	3.28" 82mm	3.28" 82mm

# Testing Report

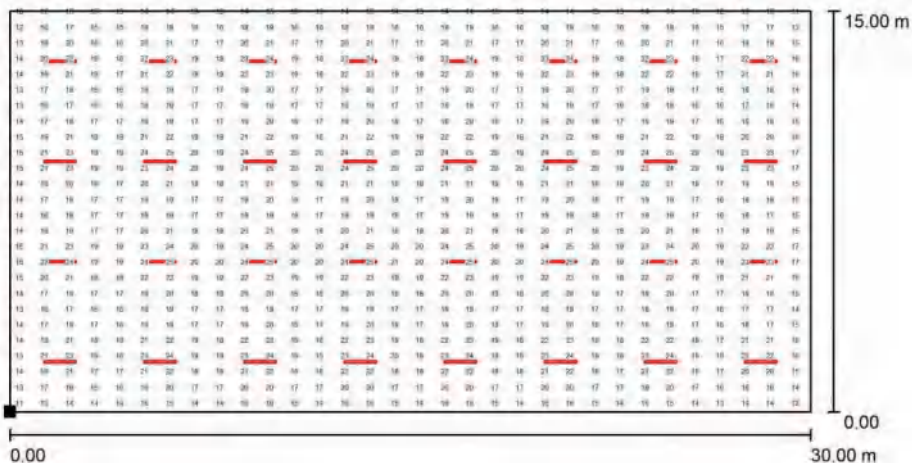
## 4FT LUMINOUS INTENSITY DISTRIBUTION DIAGRAM



## 8FT LUMINOUS INTENSITY DISTRIBUTION DIAGRAM



# Simulation chart

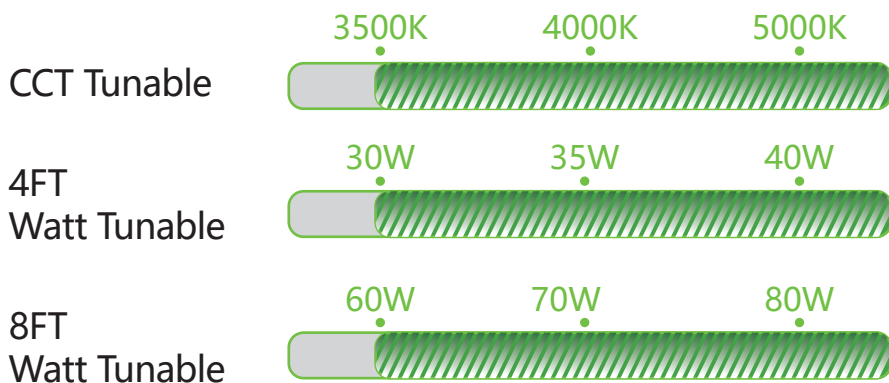


Line Graph

Thermal Imaging

# Specification

Mode	Size	Power	Input Voltage	Dimmable	PF	Light Efficacy	Ra	CCT
GL-ST01-40W-HY	4FT	30/35/40W	AC100-277V	0-10V	>0.9	150lm/w	80	3500/4000/5000K
GL-ST03-60W-HY	8FT	40/50/60W	AC100-277V	0-10V	>0.9	150lm/w	80	3500/4000/5000K
GL-ST03-80W-HY	8FT	60/70/80W	AC100-277V	0-10V	>0.9	150lm/w	80	3500/4000/5000K



# Installation

## Surface Mounted Installation

1. Insert the Anchors into the hole as picture.
2. Press the button then open the PC housing.
3. Adjust the hole of bottom cover align at anchors, then fasten it by screw.
4. Press the button, then let the PC housing return to original place. Open the PC cover then adjust the DIP switch

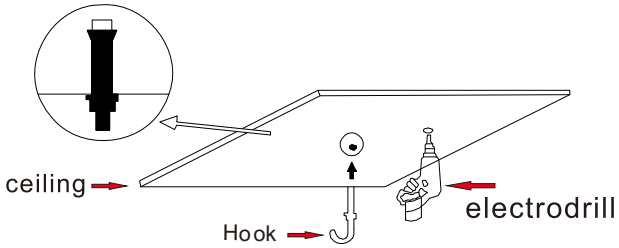
Watt Tunable: Switch 1  
 4ft 40w 35w 30w  
 8ft 80w 70w 60w

CTT Tunable Switch 2=  
 5000K 4000K 3500K

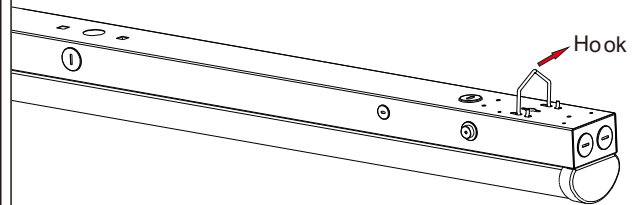
# Installation

## A. Loop hanging installation

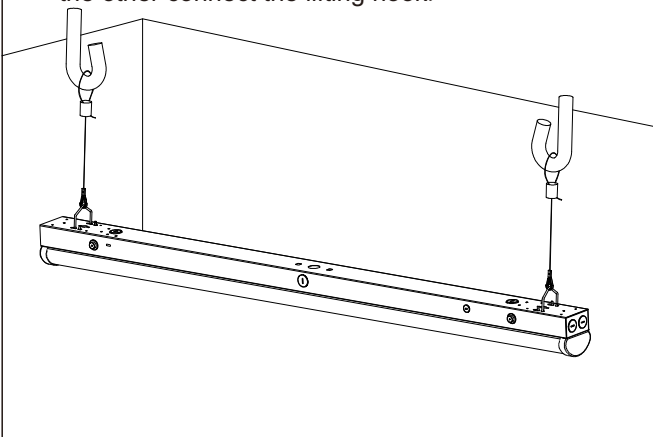
1. Drill two holes in the ceiling with electrodrill, put the hook into the hole.



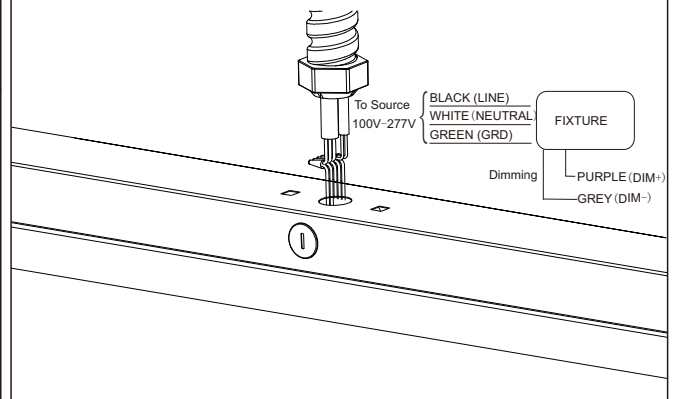
2. Put the hook into the holes as picture.



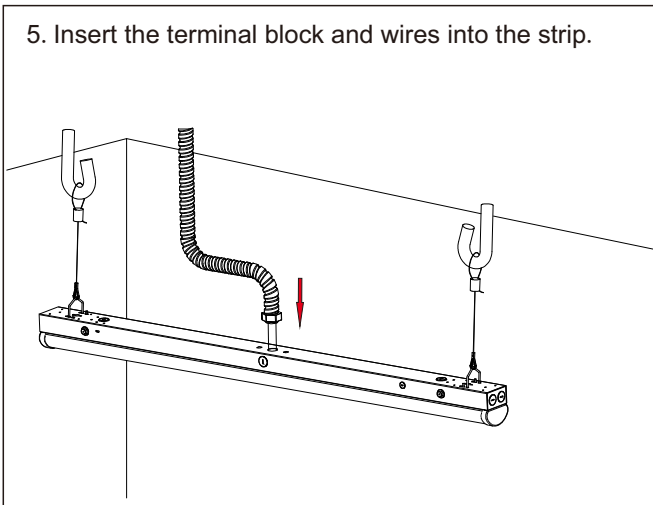
3. One side of safety rope to connect the hook, the other connect the lifting hook.



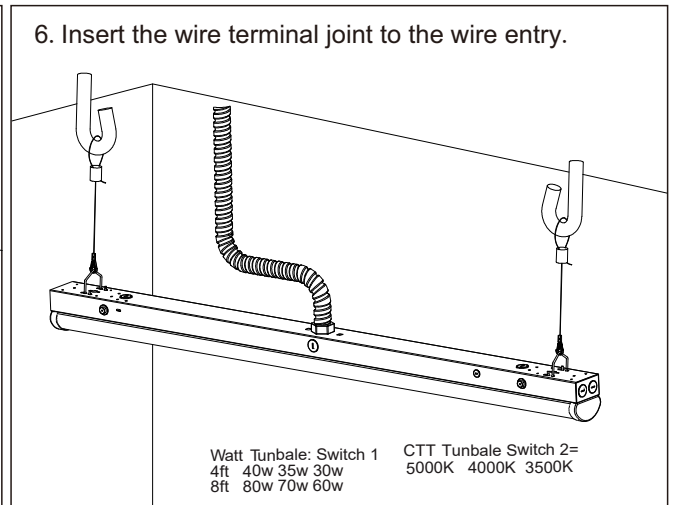
4. Turn off power, and make wiring connections with terminalcap.(see wiring instruction below).



5. Insert the terminal block and wires into the strip.



6. Insert the wire terminal joint to the wire entry.

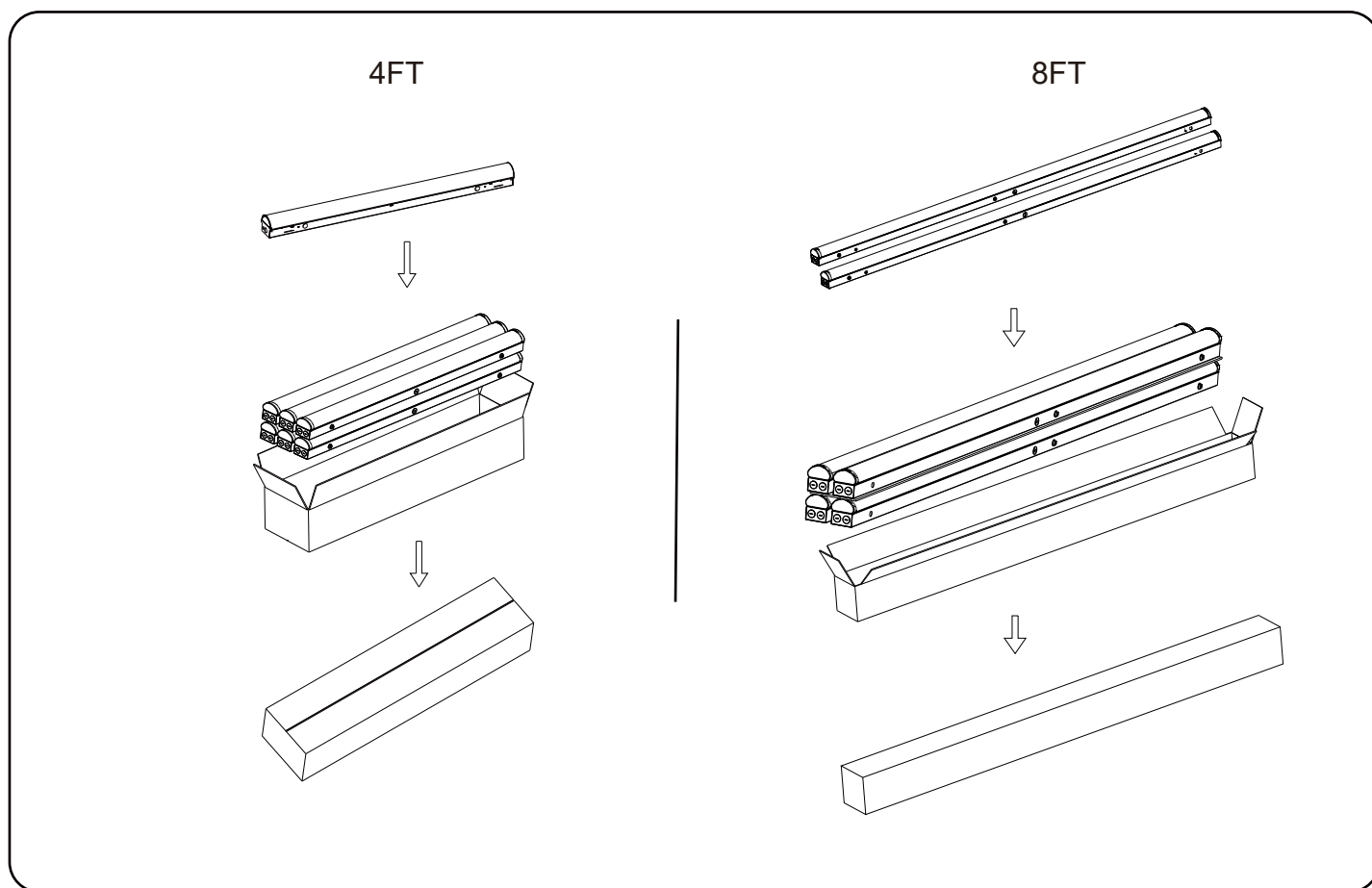


The Installation must be carried out by a qualified electrician.

# Packing/weight

Part NO.	Outer Carton Size (LxWxH)	Qty/Carton (pcs)	Net weight (kg)(lbs)	Gross weight (kg)(lbs)	20GP (QTY)	40HQ (QTY)
GL-ST01-40W-HY	(1230*234*183mm) (48.42**9.21**7.2")	6PCS	1.8kg 3.96lbs	13.2kg 29lbs	3000	7596
GL-ST03-60W-HY GL-ST03-80W-HY	(2450*160*183mm) (96.46**6.30**7.20")	4PCS	3.7kg 8.2lbs	17.0kg 37.4lbs	1368	3488

# Packing



# LED Linear Strip Light



## Note

- 1.The installation and maintenance must be completed by electricians or professionals.
- 2.Please cut off the power before installation and maintenance.
- 3.The fixture is not allowed to be covered by thermally insulating material.
4. Please keep away from the corrosive substance,and keep the fixture dry and clean.
5. Working temperature:-4°F~104°F, storage temperature:-22°F~140°F.