

# Specifications

**Frequency:** 433.39 MHz.

**Security:** 128-bit AES encryption.

**Range:** up to 50 yards.

**Battery life:** up to 3 years.

**Battery type:** Eveready AA Lithium 1.5V x 2.

**Important:** Use only AA 1.5V Lithium batteries – do not use Alkaline batteries.



## e-LOOP Mini Fitting Instructions

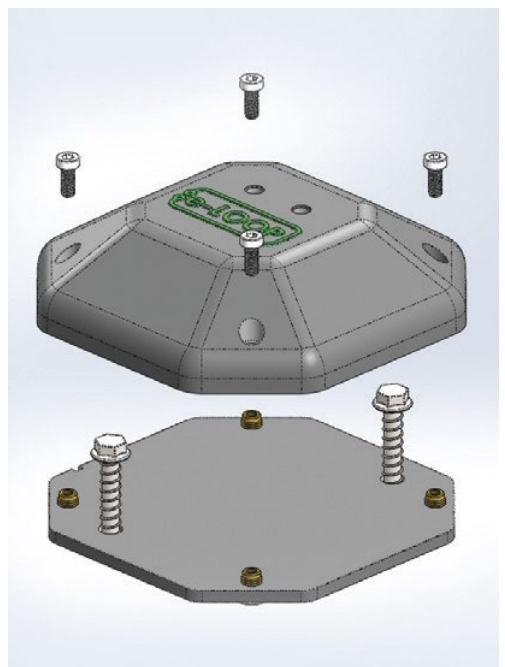
**Before fitting the e-Loop, you will need to fit the 2 x AA batteries and screw the bottom plate to the e-Loop using the M3 screws supplied. Ensure all screws are tight.**

### Step 1 – Coding e-LOOP Mini

1. Press and hold the CODE button on the transceiver until the Red LED illuminates, now release the button.
2. Press the CODE button on the e-Loop Mini. The Yellow LED on the e-Loop will flash 3 times to indicate transmission, and the Red LED on the transceiver will flash 3 times to confirm the coding sequence has been completed.

### Step 1 – Coding e-LOOP Mini (Refer to Diagram on the right)

1. Place e-Loop in the desired location and secure base plate into the ground using 2 Dyna bolts (supplied).
2. NOTE: Never fit near high voltage cables, this can affect the e-Loop's detection capability.



### Step 3 – Calibrate e-LOOP Mini

1. Move any metal objects away from the e-Loop, including cordless drills.
2. Press and hold the CODE button and the Yellow LED will flash once, keep your finger on the button until the Red LED flashes twice.
3. Now fit the e-Loop to the base plate using the 4 x Hex Head bolts. After 3 minutes, the Red LED will flash a further 3 times. The e-Loop is now calibrated and ready to use.

**System is now ready.**

### Uncalibrate e-LOOP Mini

Press and hold the CODE button and the Yellow LED will flash, keep your finger on the CODE button until you see the Red LED flash 4 times. Now release button and e-Loop is uncalibrated.

IP68