

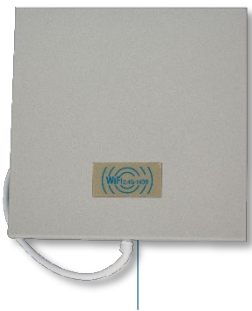


Praetorian Guard

IP-4G Video Intercoms



4G access points available for remote internet access!



Long Range Antenna (2.4GHz)
(up to 65 yards working range depending on router type and location)



Existing Wi-Fi Hub



Praetorian APP

- **Speak to your visitors from anywhere in the world.**
- Grant access remotely - Send a command to the gate motor via the app to open your gates etc.
- Keypad Codes – 24-7 / Timed / Temporary (Optional)
- No Touch Access - PROX Cards/ Tags - 24-7 / Timed / Temporary (Optional)
- Voicemail - Visitors can leave a video message when unanswered.
- Multi-User - Add up to 8 maximum devices per Intercom ID. (incl ADMIN user. 4 maximum for optimal performance.)
- Connect via WiFi, LAN Cable or 4G Access Point (Sold Separately) (Dualband WIFI. 2.4 & 5.8G wifi (IEEE 802.11a/b/g/n/ac)
- Volume of external speaker adjustable at the call-point.
- Super clear, 120° HD camera image.



Security screw access



*HD camera with video motion sensor



Colour camera with night vision and IR cut filter

Infra-red night vision illuminators



Waterproof Mylar 1.5W speaker



Illuminated push button
Optional illuminated keypad.



High gain Wi-Fi antenna

60 degree transmission to concentrate & extend range. Weatherproof for outdoor use.

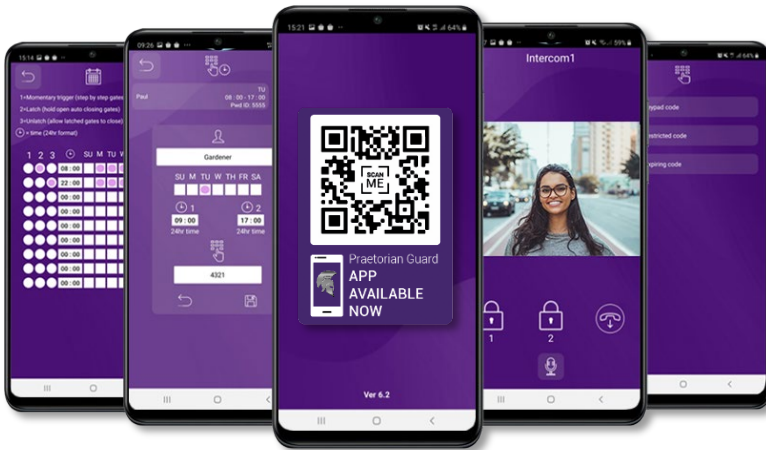


4G MODEM

Add 4G modem to Praetorian Guard IP Intercom for 4G access point.



Installer / User App



App images for illustrative purposes only.



View your camera in full screen mode.

- System can work with smartwatches however notifications may vary due to smartwatch brand & capabilities.



Events log for Keypad codes, Calls, Voicemails, Prox ID's. (past 100)



7-day schedule for auto relay opening.



Notifications for calling, relay triggers (prox, keypad codes, in app latching, scheduled latching/unlatching.



Sync device time to device.



Prox & Keypad codes added via App.

*Moving objects & changing weather may trigger sensor.





GENERAL

Front Panel	<p>Portrait Orientation AB/ABK = 3mm Acrylic on Architectural Design Marine Grade Stainless Steel BS316 Front Plate. AS/ASK = 3mm Marine Grade Stainless Steel BS316 on Architectural Design Marine Grade Stainless Steel BS316 Front Plate. FS/FSK = Flush Design Marine Grade Stainless Steel BS316 Front Plate. IMP/IMPK = 3mm Acrylic on Imperial Design Marine Grade Stainless Steel BS316 Front Plate. Modular = Powder Coated Marine Grade Stainless Steel BS316 Front Plates with 3mm Acrylic on Design Marine Grade, Stainless Steel BS316 Modular Plates. Landscape Orientation PED = Pedestal Surface Mount</p>
Hood Cover (MOD, IMP(K), PED versions)	Powder coated Aluminium
Mounting Housing (Backbox)	Marine Grade Stainless Steel BS316
Mounting Type	Surface-Mounted with backlighting, Flush-mounted version sold separately
Call Button	Stainless-steel button with illuminated LED Ring
Weatherproof	IP55
Approvals	CE, FCC
Dimensions	See Overview of Call Points
Operating Temp.	-25 to +55°C / -13 to 131°F
Power Supply	24V DC
Power Consumption	<p>IP PCB w/Keypad & Prox Standby = 80mA Operating = 300mA</p>
Solar Power	45Watt Solar Panel (minimum) 2x 12V 15AH Batteries connected in series to provide 24V output
Connectors	LAN (RJ45) 2 x Bistable latching relay, max. 1-28V DC/AC, 1A, e.g. for magnetic door lock External input for push to exit button 24V DC input (+, -)
System Requirements	<p>Mobile device: Newest iOS on iPhone/iPad, newest Android on Smartphone/Tablet Internet: High-Speed Landline Broadband Internet connection, DSL, cable or fibre optic, no socks or proxy server. Min. suggested upload speed of 1.5mbps, Network: Ethernet Network, with DHCP / WIFI 2.4GHz/5.8GHz (with applicable antenna)</p>
Recommended Installation Height	Camera lens should be at a min. height of 145 cm (57 in). Before the installation please determine your optimal installation height.

KEYPAD MODULE

Power Supply	24V DC
Steel Keypad Module	<p>12 Square Silicon Keys Blue illumination Keypad Codes configurable via App, Slave connection to allow up to an additional 8 slave devices</p>
Silicon Keypad Module	<p>12 Round Silicon Keys Blue illumination Keypad Codes configurable via App, Slave connection to allow up to an additional 8 slave devices</p>

THIRD-PARTY INTEGRATIONS

Partners	N/A - Coming Soon
API	N/A - Coming Soon

VIDEO

Camera	HD 720p, dynamic (VGA – HD)
Lens	120° (D), 109° (H), 65° (V) IR-capable
Display Resolution	Switchable in the app by the Admin user. HD resolution: 1280*720 SD resolution: 640*480
Video Codec	H264
Night-Vision	Yes, light sensor, automatic IR-cut filter, 5 Infrared LEDs
Storage	<p>On-Board Micro SD Card (Not included) Max read capacity 32GB Estimated capacity based on 16GB: 5,592 Video Clips (3MB) {AVI.} 33,500 images (0.5MB) {JPG} Supports Hot Swapping. Auto overwrites oldest data at 80% capacity FAT32 Formatting</p>

MOTION SENSOR

Type	Active
Detection Type	Digital (Pixel-based) Changes of pixilation. This is processed by the CPU identifying any major/minor changes in pixels that is defined by a predetermined algorithm.
Range	>5m, depends on environment, distance is fixed

AUDIO

Audio Components	Speaker and microphone, noise reduction and echo cancellation (ANR, AEC)
Audio Streaming	Two-way, full duplex & half-duplex (switchable in-app)
Audio Codec	PCM/ARAW

NETWORK

WiFi	IEEE 802.11a/b/g/n/ac
WiFi Security	WPA / WPA2 / WPA3
Frequency Range	2.4GHz-2.4385GHz; 5.15GHz-5.845GHz
Ethernet	IEEE 802.3
Supported Protocols	HTTP, HTTPS, SSL/TLS, Bonjour, DNS, RTSP, RTP, TCP, UDP, RTCP, ICMP, DHCP, ARP

4G ROUTER

Power Supply	24V DC
Interface	Custom OpenWrt
Antenna Type	SMA
SIM Tray	NANO
LAN Ports	2 x 10/100 Mbps - LAN/WAN
Direct Cable Connection	8 Pin Spring Connector Terminal Block (Linked to 1 x LAN ports)
GSM Modem Models	<p>4G Europe - SIM7600E 4G USA - SIM7600A 4G AUS/NZ - SIM7600SA</p>
Frequency Range	<p>LTE-TDD = B38/B40/B41 LTE-FDD = B1/B3/B5/B7/B8/B20 UMTS/HSPA+ = B1/B5/B8 GSM/GPRS/EDGE = 900/1800MHz</p>
RF Output Power (EIRP)	<p>32.55dBm (GSM 900), 29.73dBm (DCS 1800) 23.77dBm (WCDMA Band I), 23.78dBm (WCDMA Band VIII) 22.79dBm, 22.73dBm, 22.97dBm, 22.35dBm, 22.99dBm (LTE B1, B3, B7, B8, B20)</p>



Ordering a 4G cellular kit? Change product code IP to **4G**. Eg PRAE-4G-PBK-US.

PRAE-IP-PB-US



PRAE-IP-PBK-US



All black pedestal panels, marine grade, brushed stainless steel construction with gloss acrylic trim and powder coated aluminium hood. Modern blue illuminated buttons. Panels available with and without Keypad. (***Pedestal with 4G antenna built in available**)

PRAE-IP-PS-US



PRAE-IP-PSK-US



All stainless, marine grade steel pedestal mount IP intercom. Modern white illuminated buttons. Panels available with and without Keypad. (***Pedestal with 4G antenna built in available**)

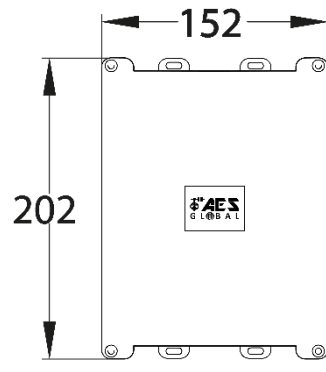
PRAE-IP-AB-US



PRAE-IP-ABK-US



Modern blue back lighting effect.
Marine grade, brushed stainless steel construction with black gloss acrylic faceplate.
Panels available with and without Keypad.
(Kits includes speech panel, antenna, power supply and install manual)



4GUS/M

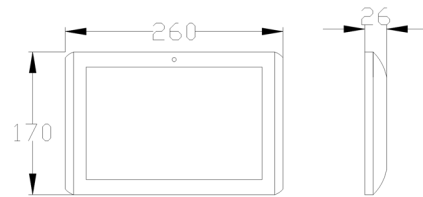
4G MODEM



Add 4G modem to any of the above IP intercoms for a 4G access point. The access point will provide an internet connection via a compatible SIM card*

* MIN 1.5MB UPLOAD.

* MIN 1GB P/MIN DATA (Depending on usage).

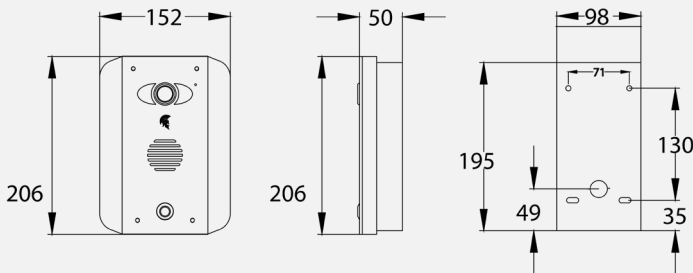


MON-11-US

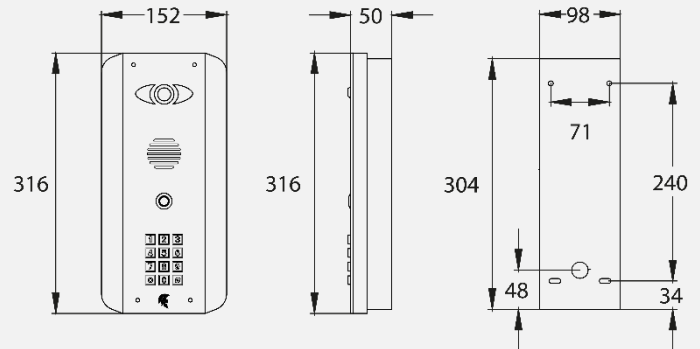
- Wall mount touch screen monitor (1280x800 Resolution), compatible with the **Praetorian system**.
- 10.1 inch screen IPS LCD android screen.
- Wifi, Ethernet & Bluetooth connections.
- POE supplied (12V DC can be purchased separately)
- Complete with wall mount bracket.
- Android OS (8.1) with Praetorian app pre-loaded.
- RK3288, Quad-core cortex A17, 1.6G.

Call Panel Dimensions

Praetorian Architectural Panel (non keypad)



Praetorian Architectural Panel (keypad)



Praetorian Pedestal Panel

