

Single Oak Top Desk

Assembly and User Guide



RECESS

Make work happen from anywhere

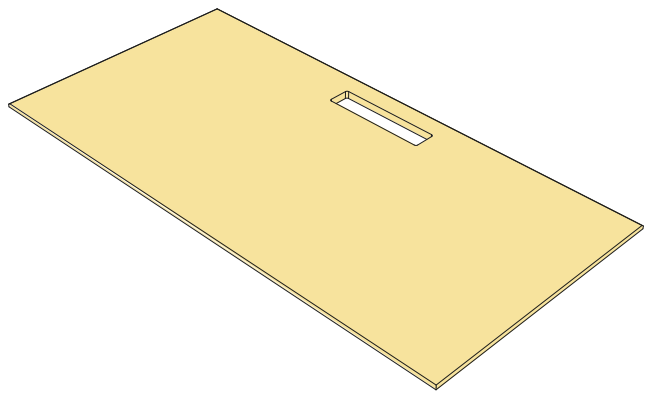
Congrats

You are now the proud owner of your very own Recess Single Oak Top Desk. Now let's get cracking with assembly- it shouldn't take you much longer than 30mins!

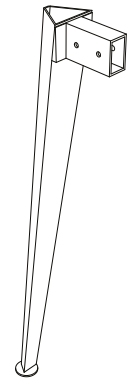
RECESS

In the Box

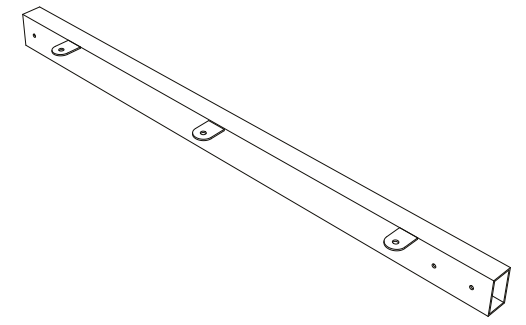
Small Desk



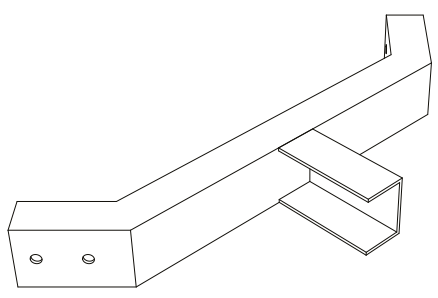
Tabletop x1



Leg x 4



Beam x 1



Bracket x 2

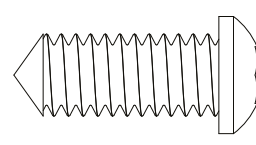


Table Frame
Bolts x 20

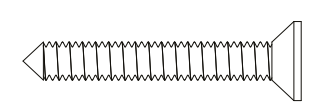
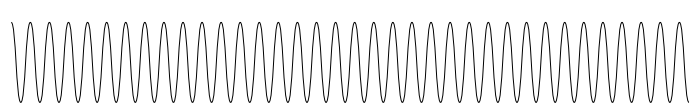
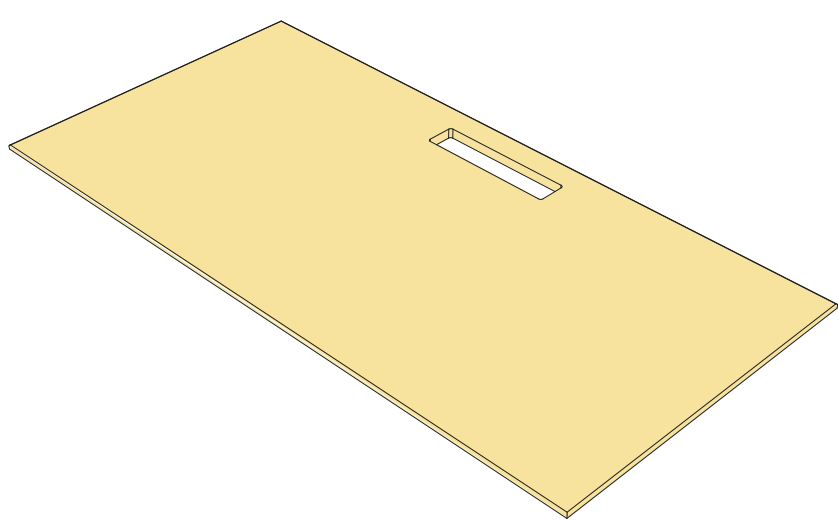


Table Top
Screws x 7

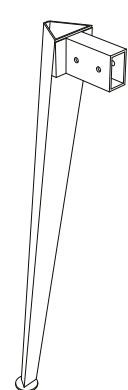


Cable Management
Tube

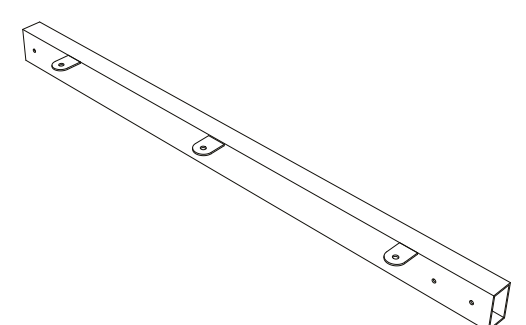
Large Desk



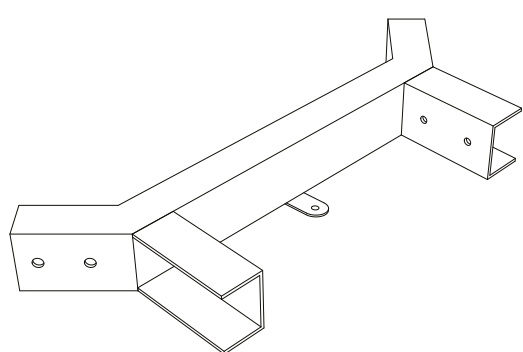
Tabletop x1



Leg x 4



Beam x 2



Bracket x 2

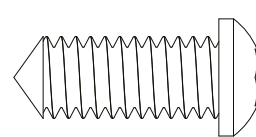


Table Frame
Bolts x 24

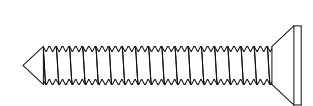
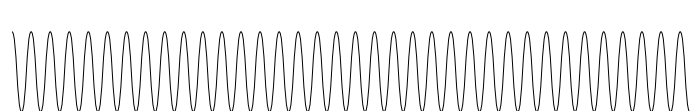


Table Top
Screws x
12



Cable Management
Tube

RECESS

1

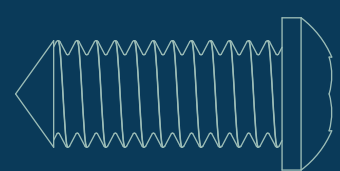
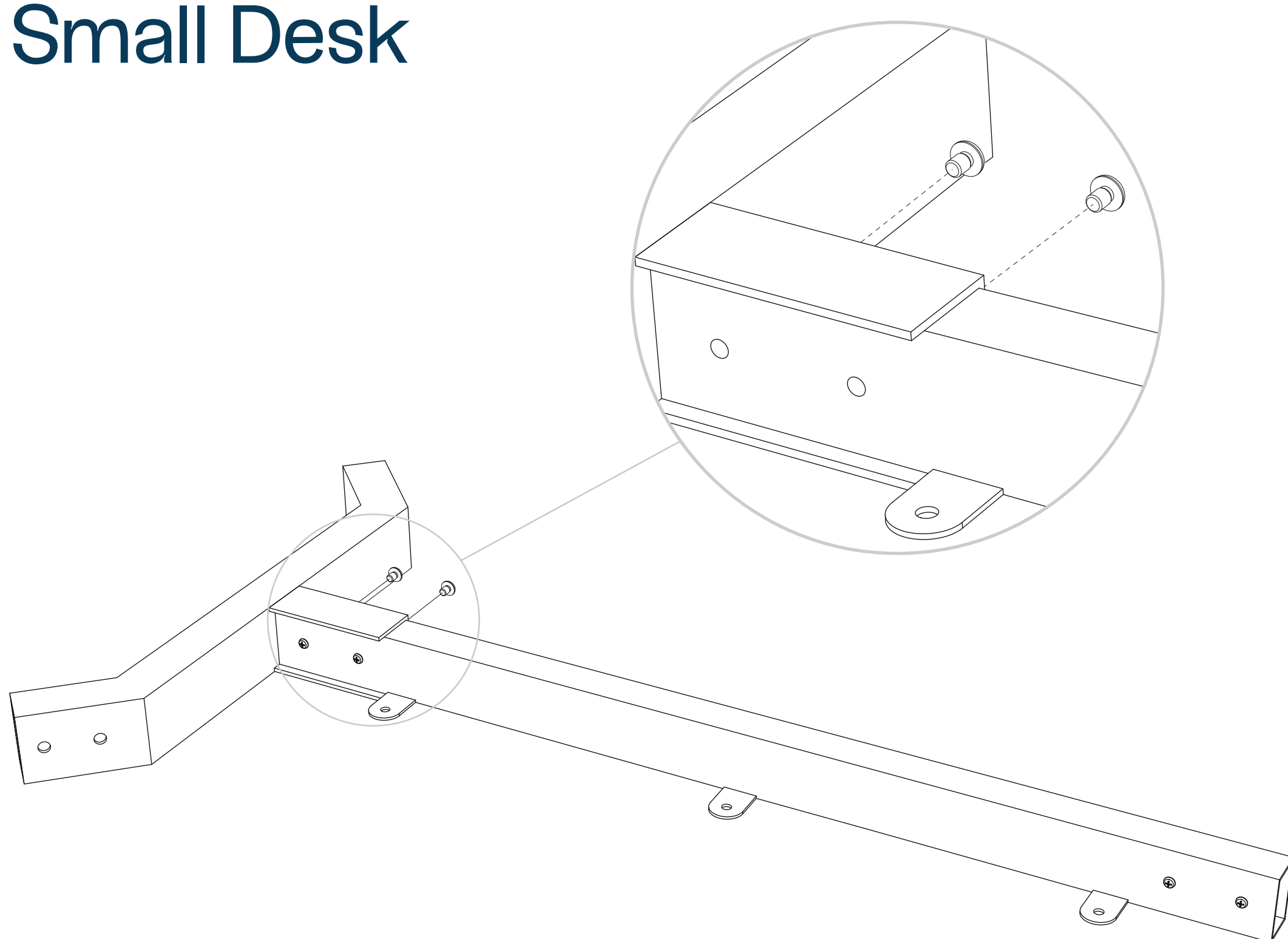


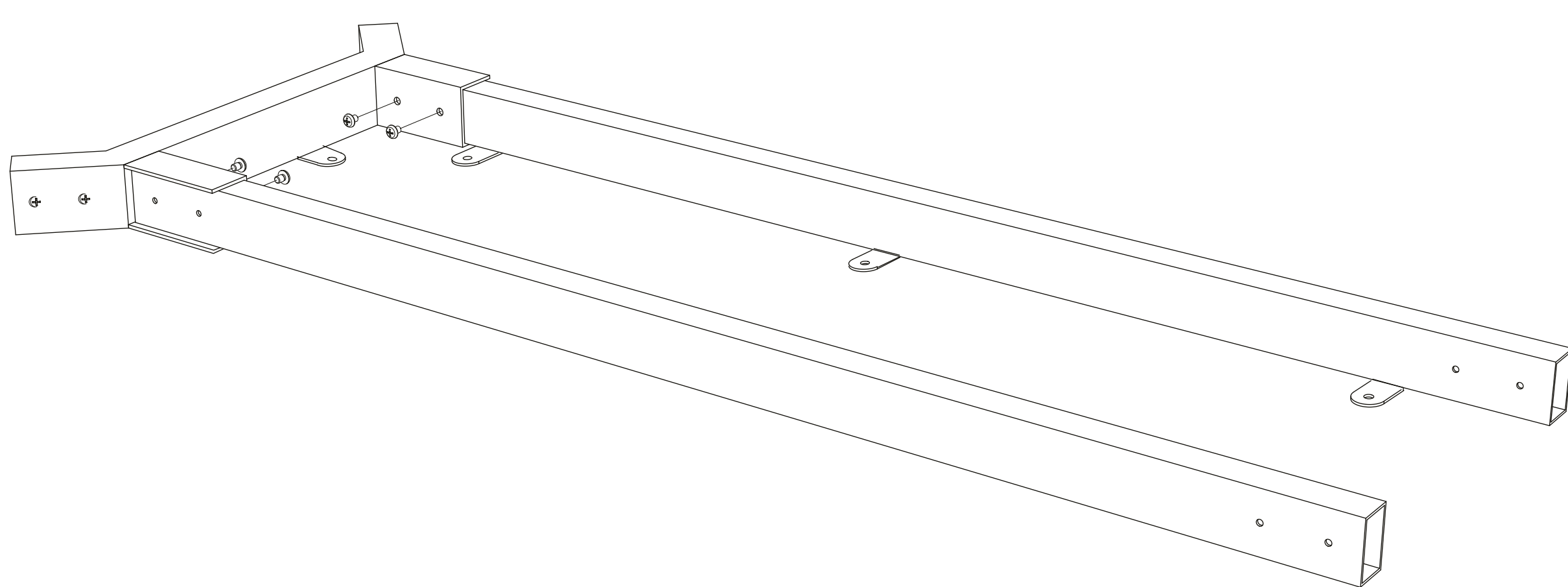
Table Frame Bolts

Flip the **Bracket** and **Beam** towards the floor, ensuring the eyelets are also facing downwards. Insert one end of the beam into the bracket as shown. Use two **Table Frame Bolts** to attach. Repeat on the other end. The Large size desk contains two beams so repeat the above step twice.

Small Desk



Large Desk



TIP: Your Table Frame may arrive preassembled. If so, move to Step 2.



RECESS

2

Using four **Table Frame Screws** per Leg, attach the **legs** to each angled opening in the Bracket.

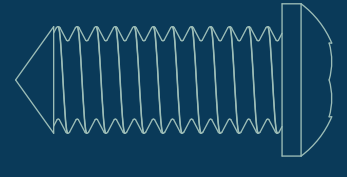
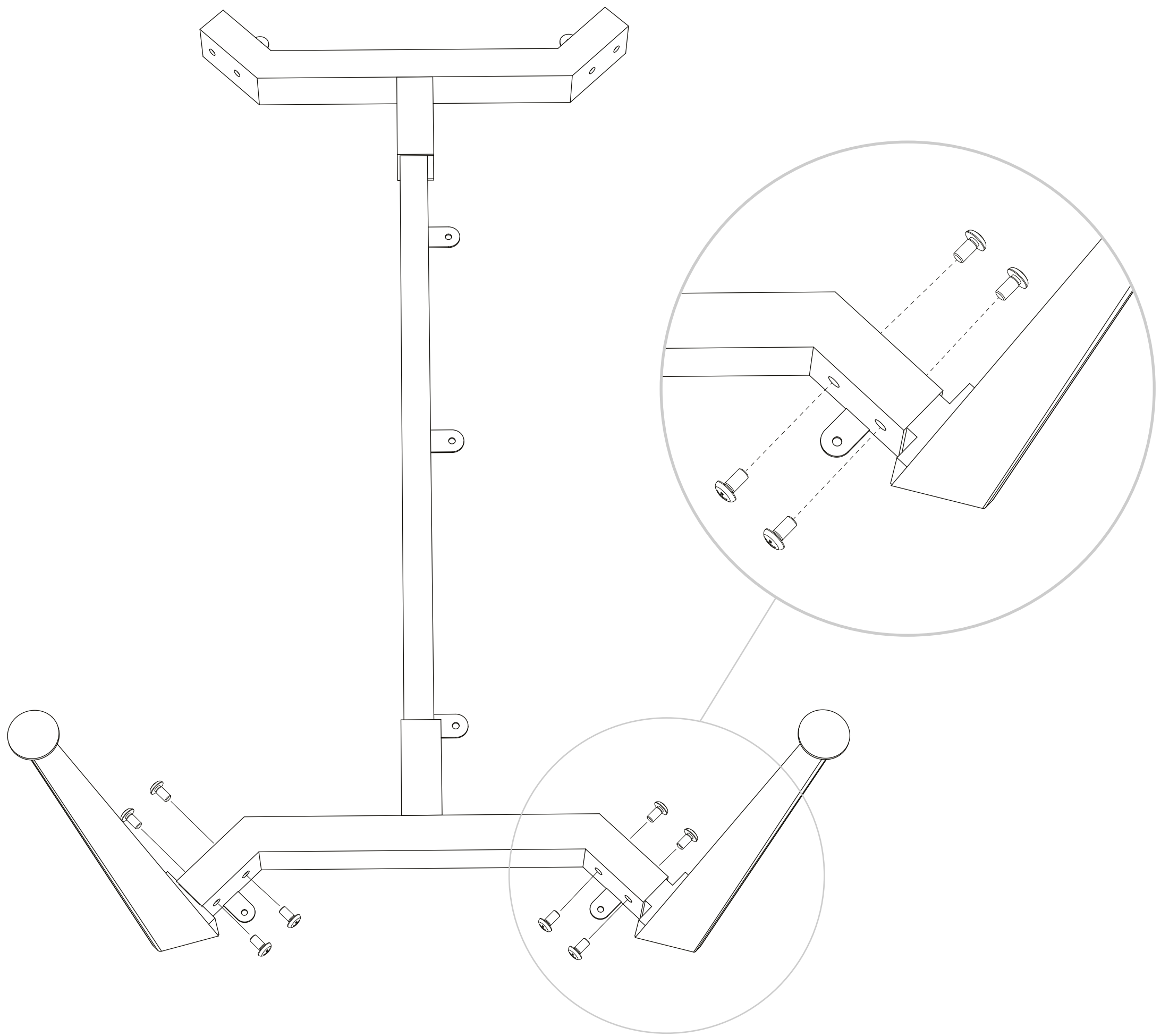
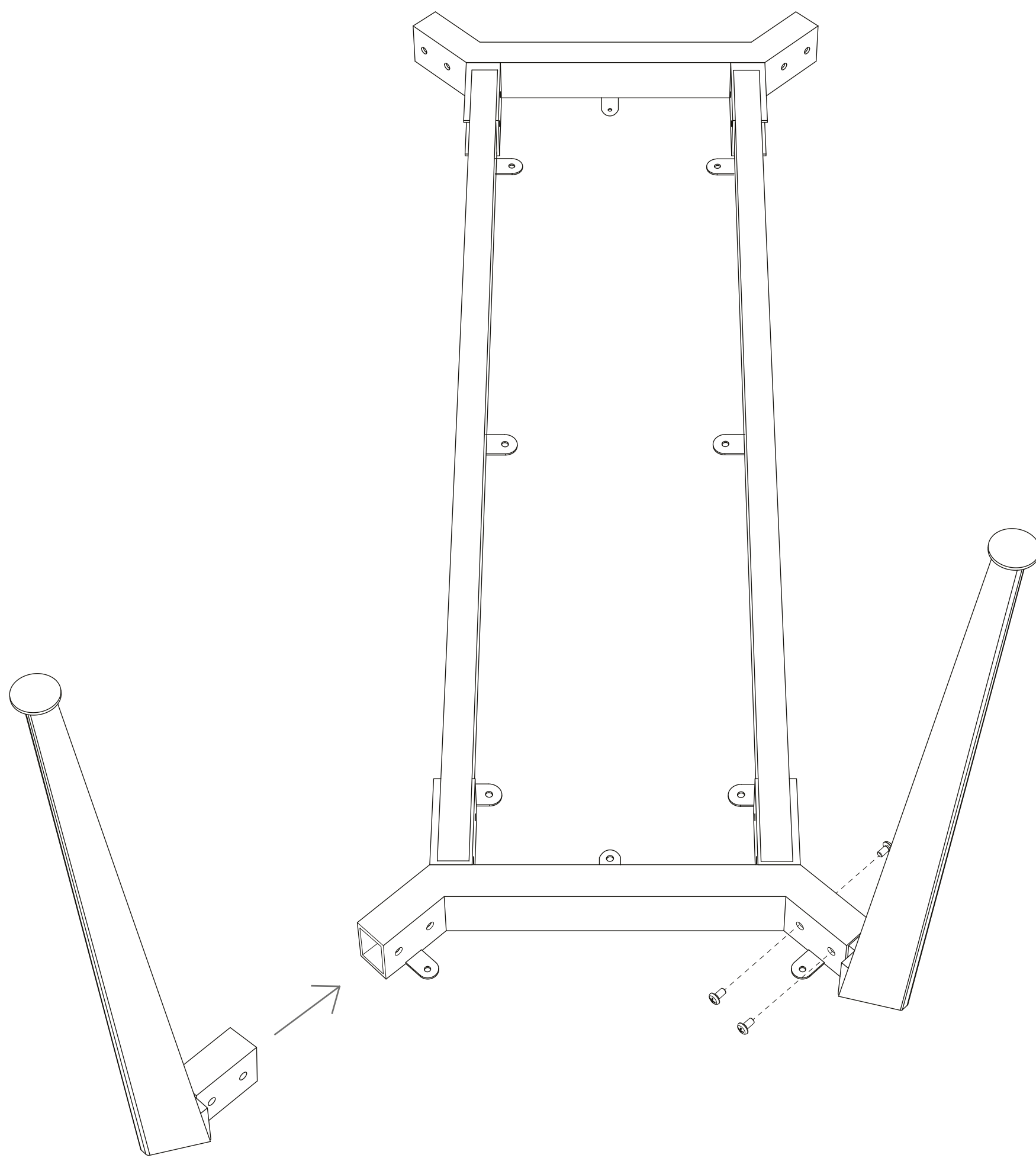


Table Frame Bolts

Small Desk



Large Desk



Tip: Your legs should sprout outwards, like the diagram above



RECESS

3

Grab a mate and place the **Table Top** on the ground with the bottom facing upwards. Take your assembled frame and flip it onto the desk. Use the **Table Top Screws** (see circled locations below) to affix the frame in place. Large desks naturally require more screws.

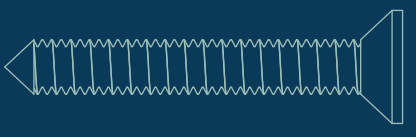
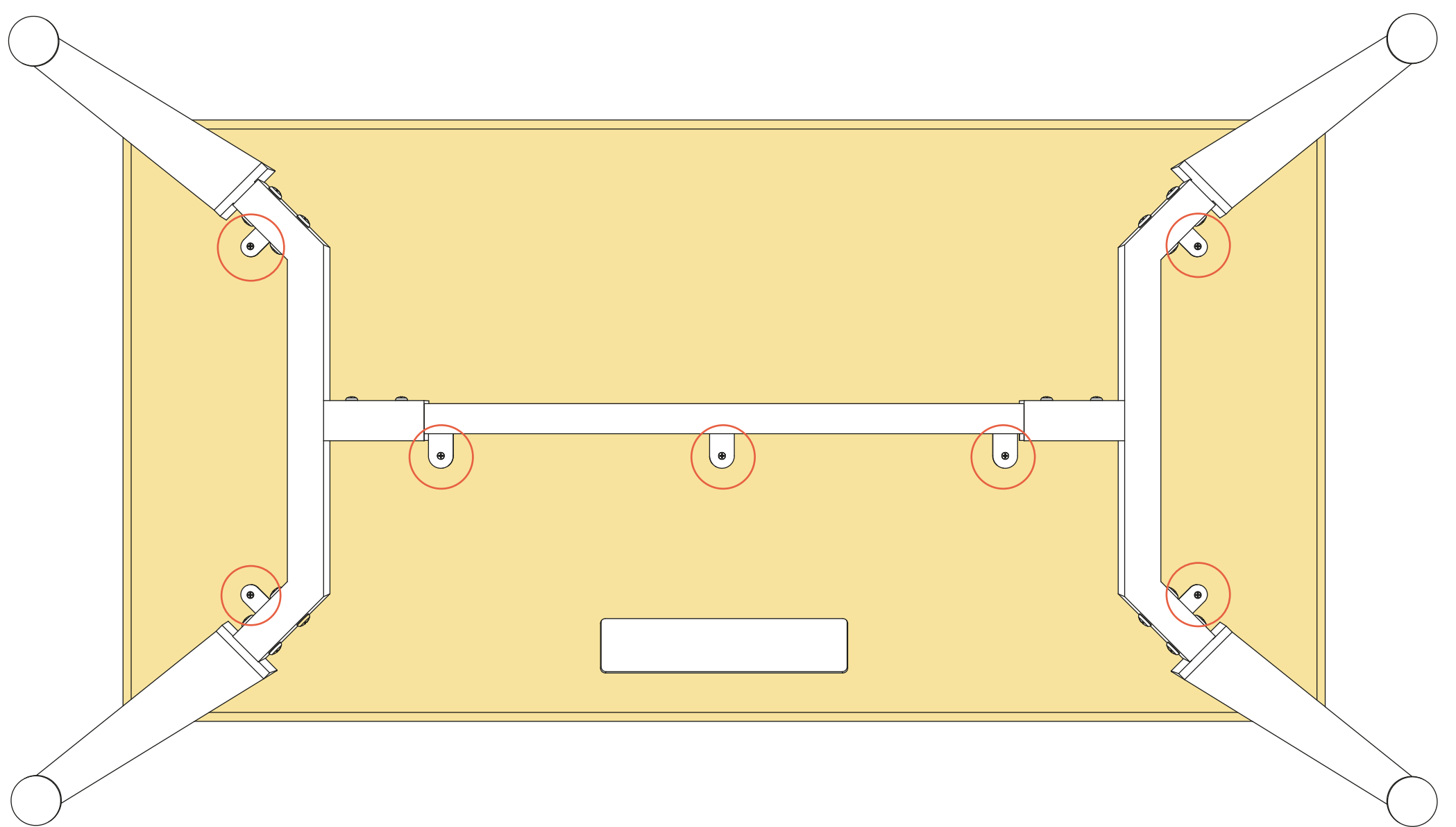
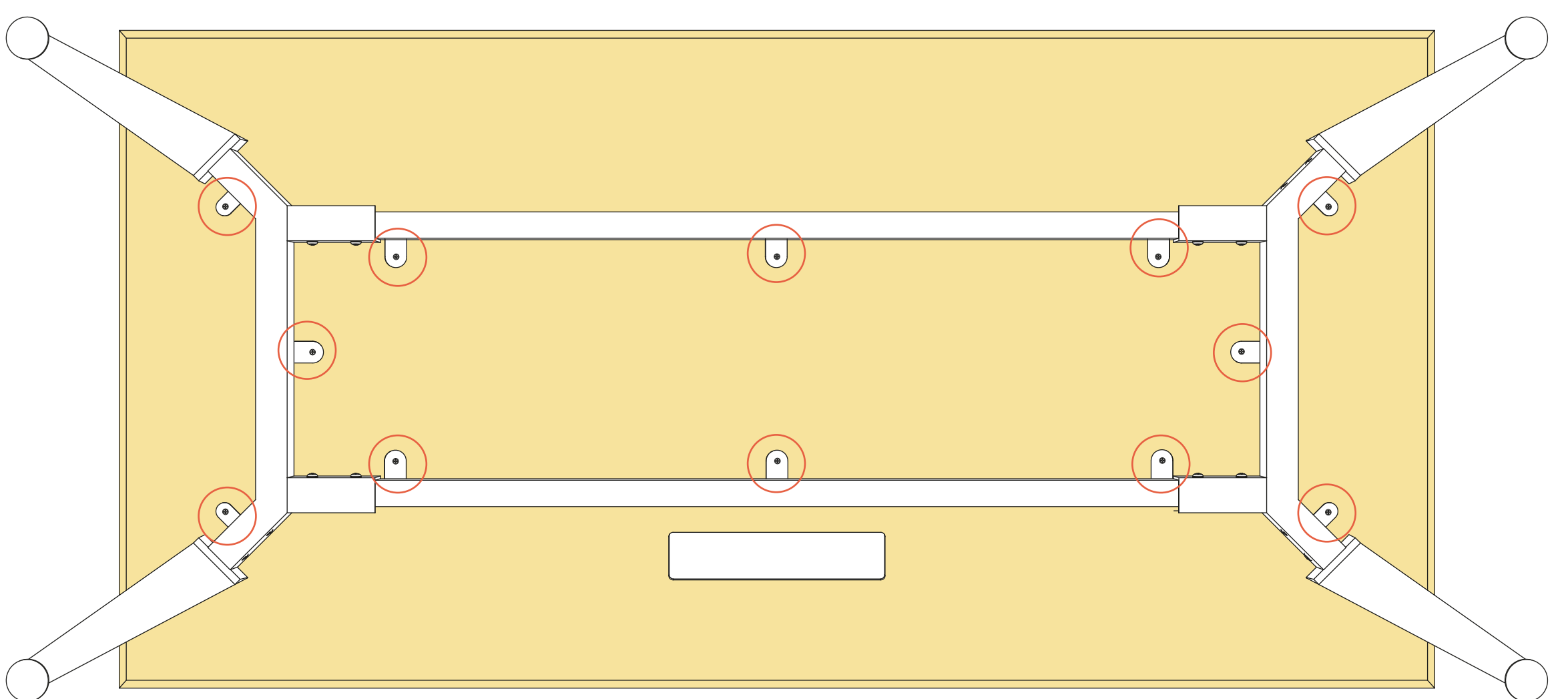


Table Top
Screws

Small Desk



Large Desk

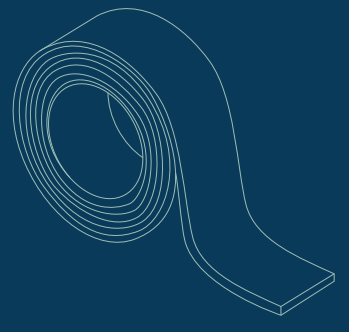


TIP: Use the pre-drilled holes on the corners of the desk to center and secure your desk to the base. The center screws are optional, and can be screwed directly into the table top.

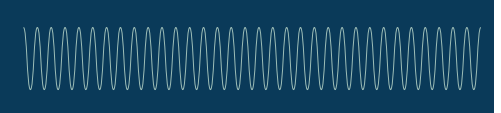


RECESS

4



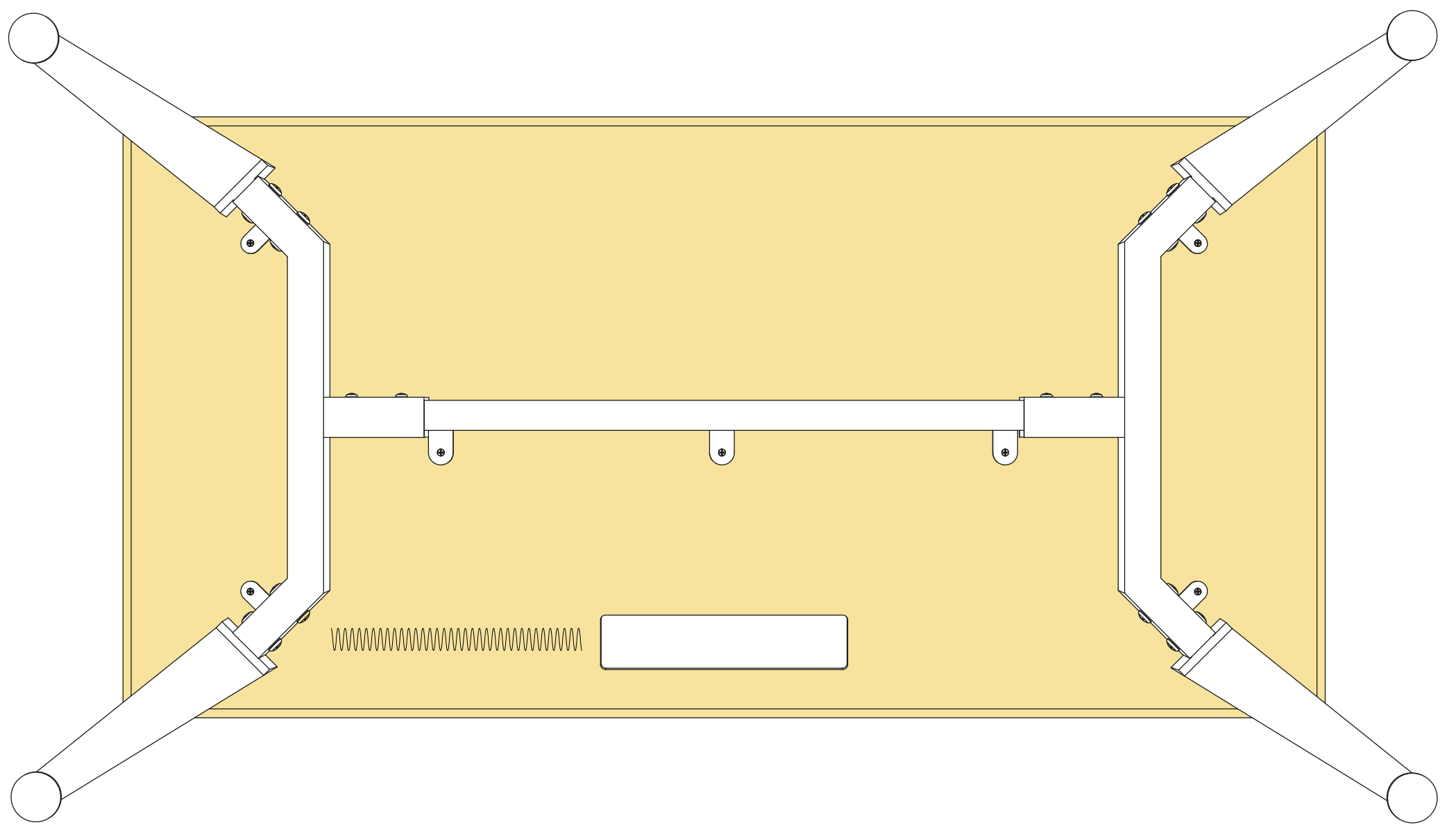
3m Adhesive
Tape



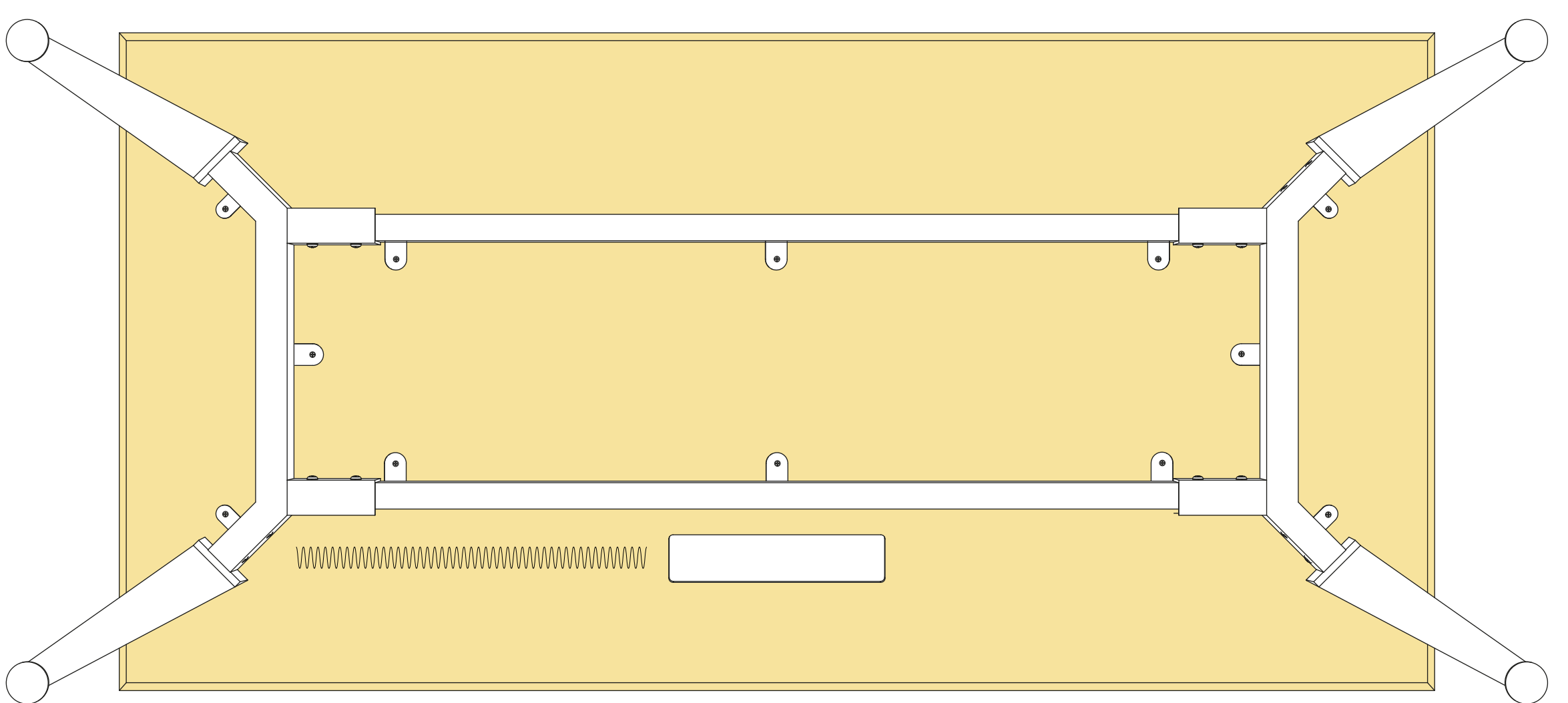
Cable
Management
Tube

Grab your cable management tube and 3M tape, and stick underneath your table in a direction you wish to run your cables through to a nearby powerpoint.

Small Desk



Large Desk



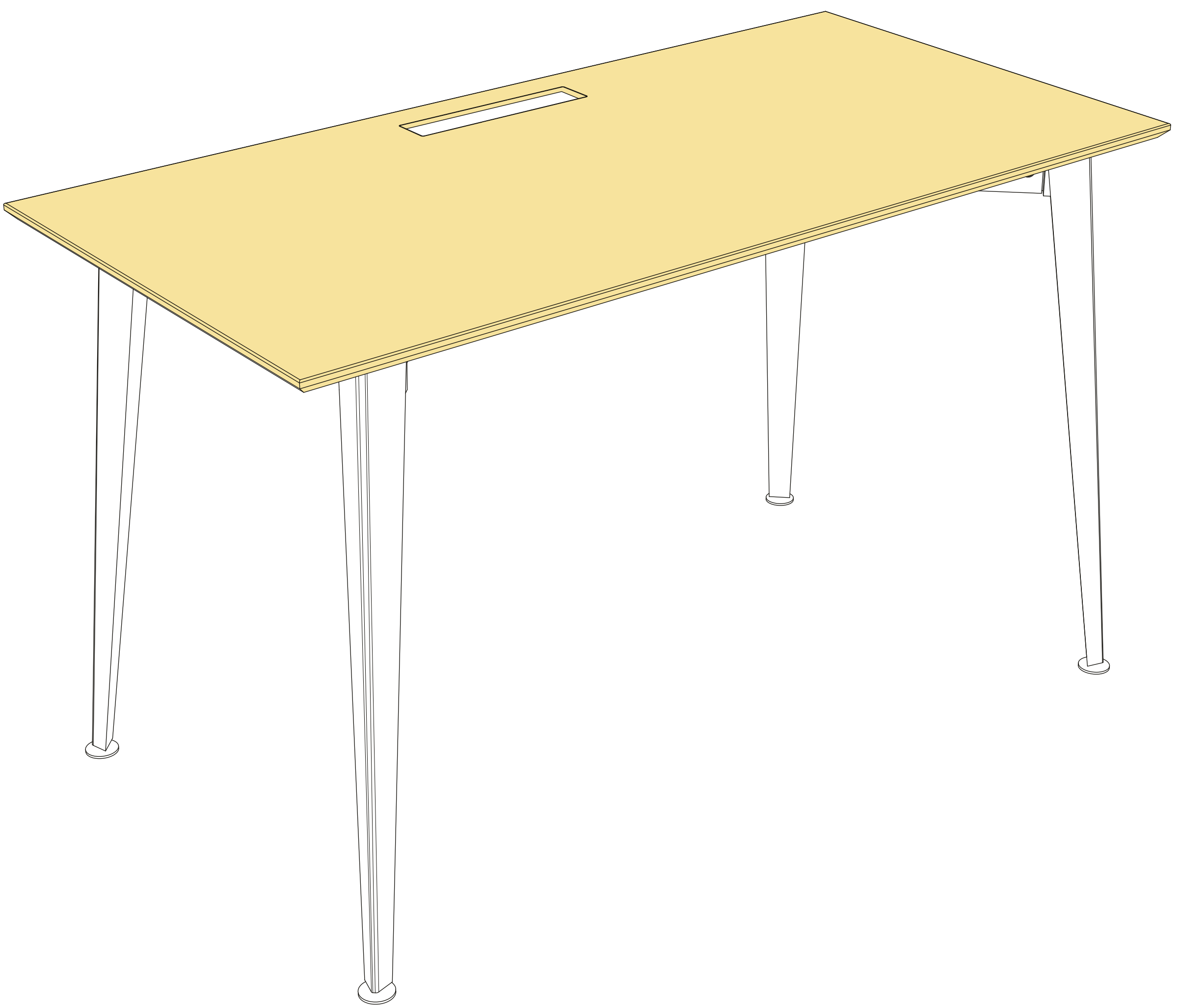
STOP: If you purchased the Cable Tray for cable management, at this point refer over to the assembly instructions for the Cable Tray [here](#).



RECESS

5

With help from your mate, flip your new Recess Desk upright.



Tip: Time to head to the pub for a bevvv - you've earned it!



RECESS

All done!

Whether you're shipping code for the next great Aussie startup, leverage trading on crypto or just having a gander on the web, we hope your new Single Oak Top Desk keeps you working healthy and happy, giving you time for some Recess and play!

Now don't be shy. Show us how it looks!

@recess.au

#myrecessoffice

Contact:

Have a question, comment or suggestion?
hello@recess.com.au

RECESS

RECESS