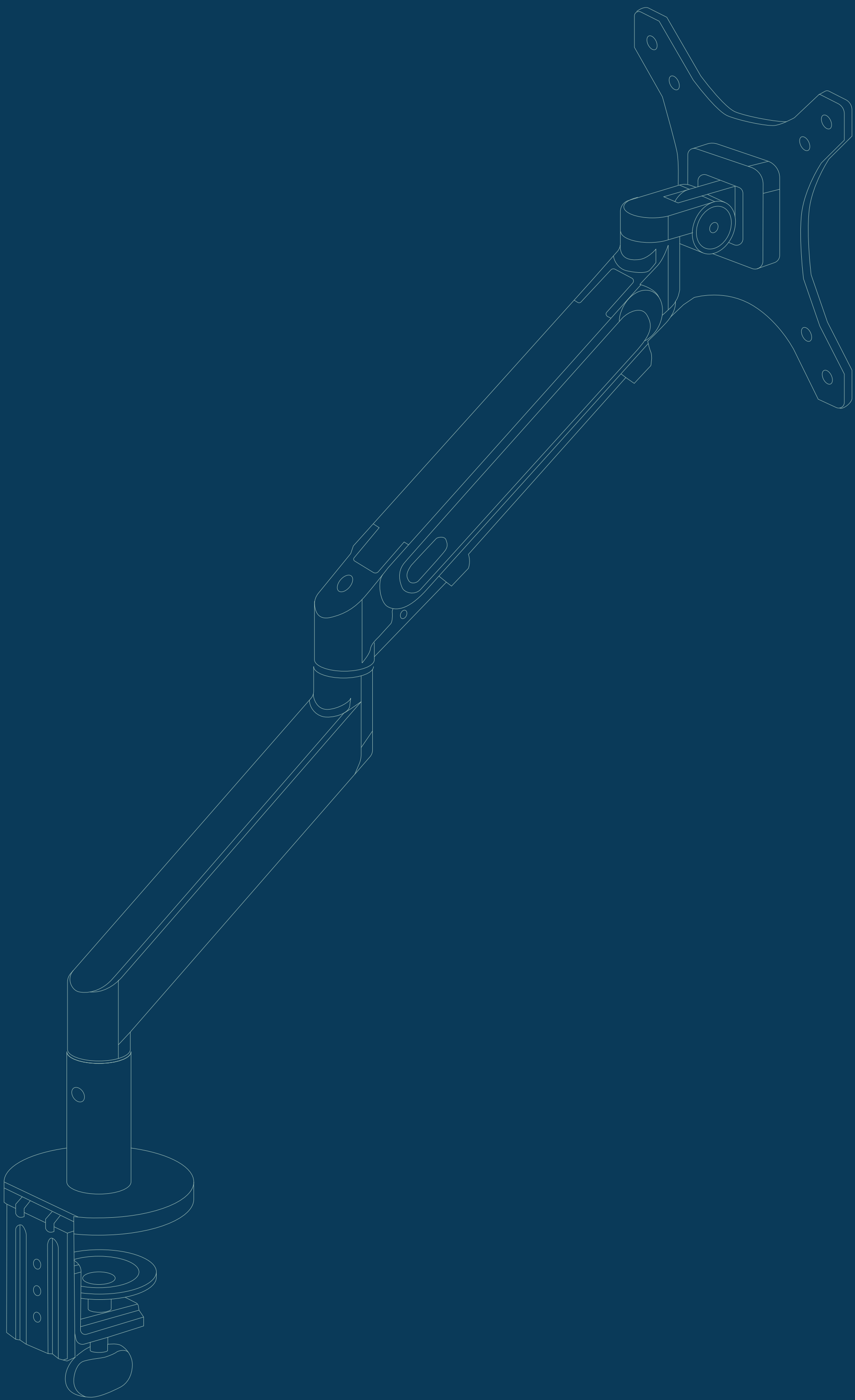


Monitor Arm

Assembly and User Guide



RECESS

Make work happen from anywhere

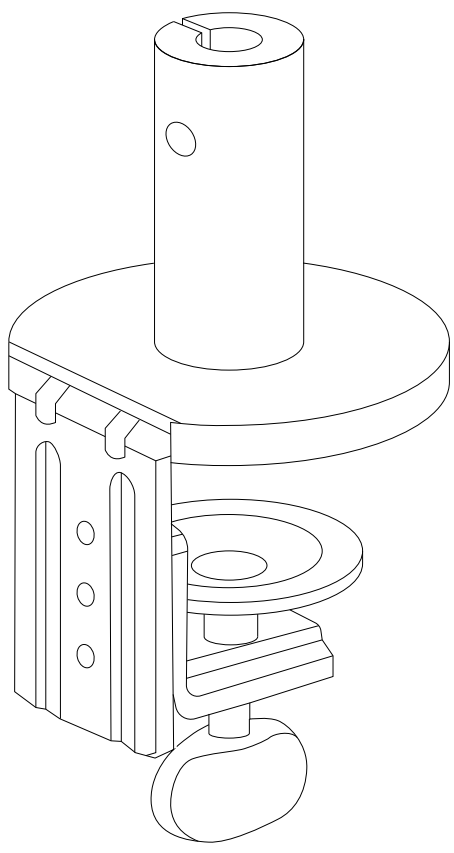
Congrats

You are now the proud owner of your very own Recess Monitor Arm.

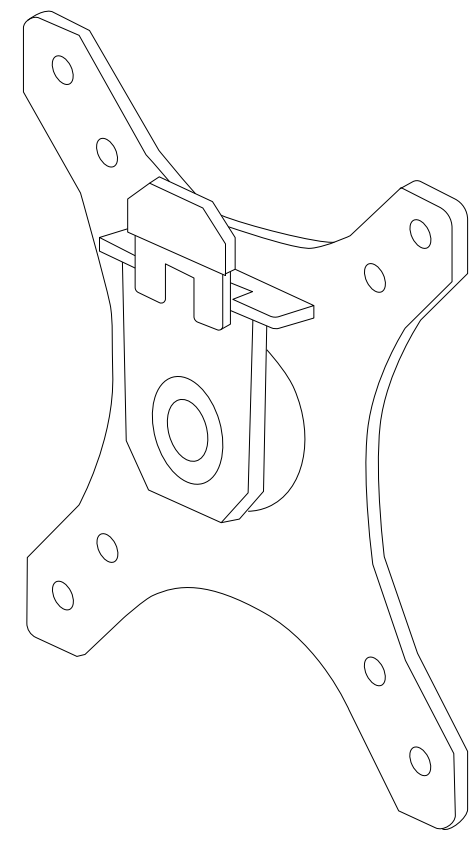
Now let's get cracking with assembly- it shouldn't take you much longer than 30mins!

RECESS

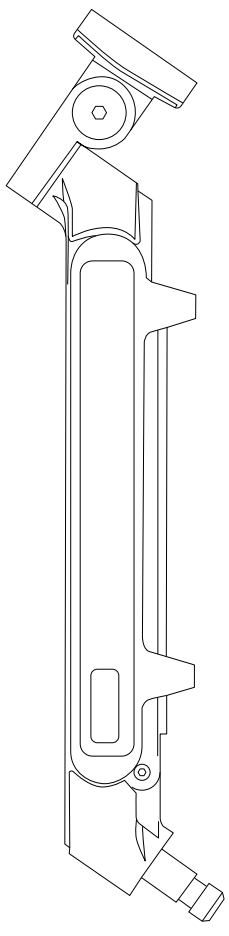
In the Box



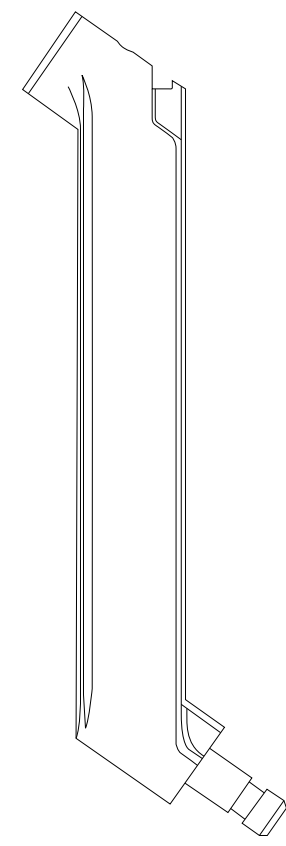
Clamp x 1



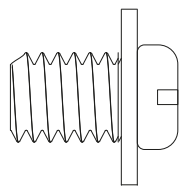
Head x 1



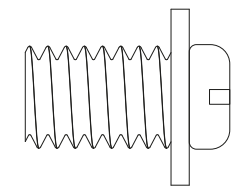
Arm x 1



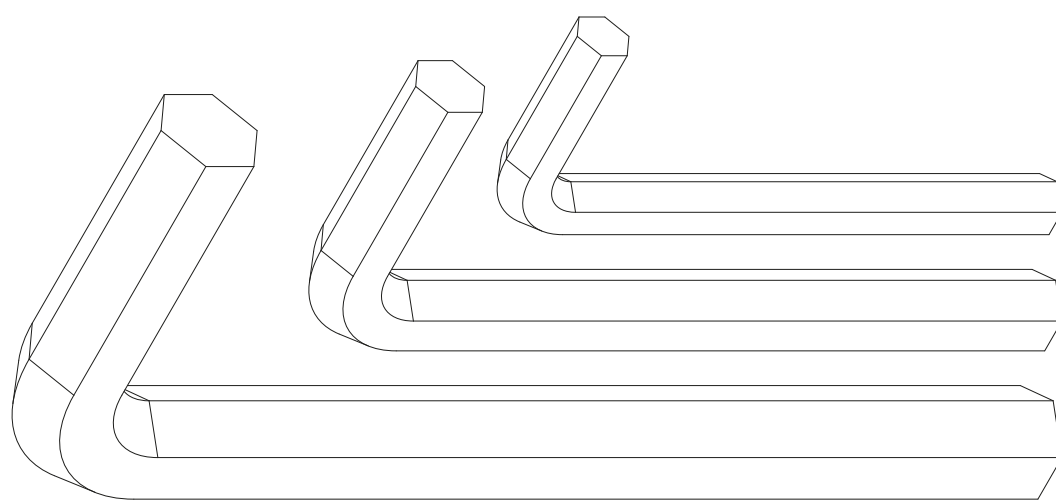
Rear Leg x 1



M4 Bolt
(Small) x 6



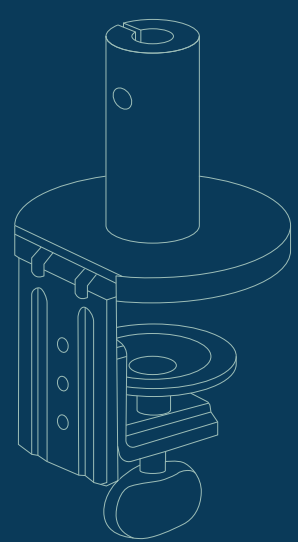
M5 Bolt
(Medium) x 6



Allan keys

RECESS

1

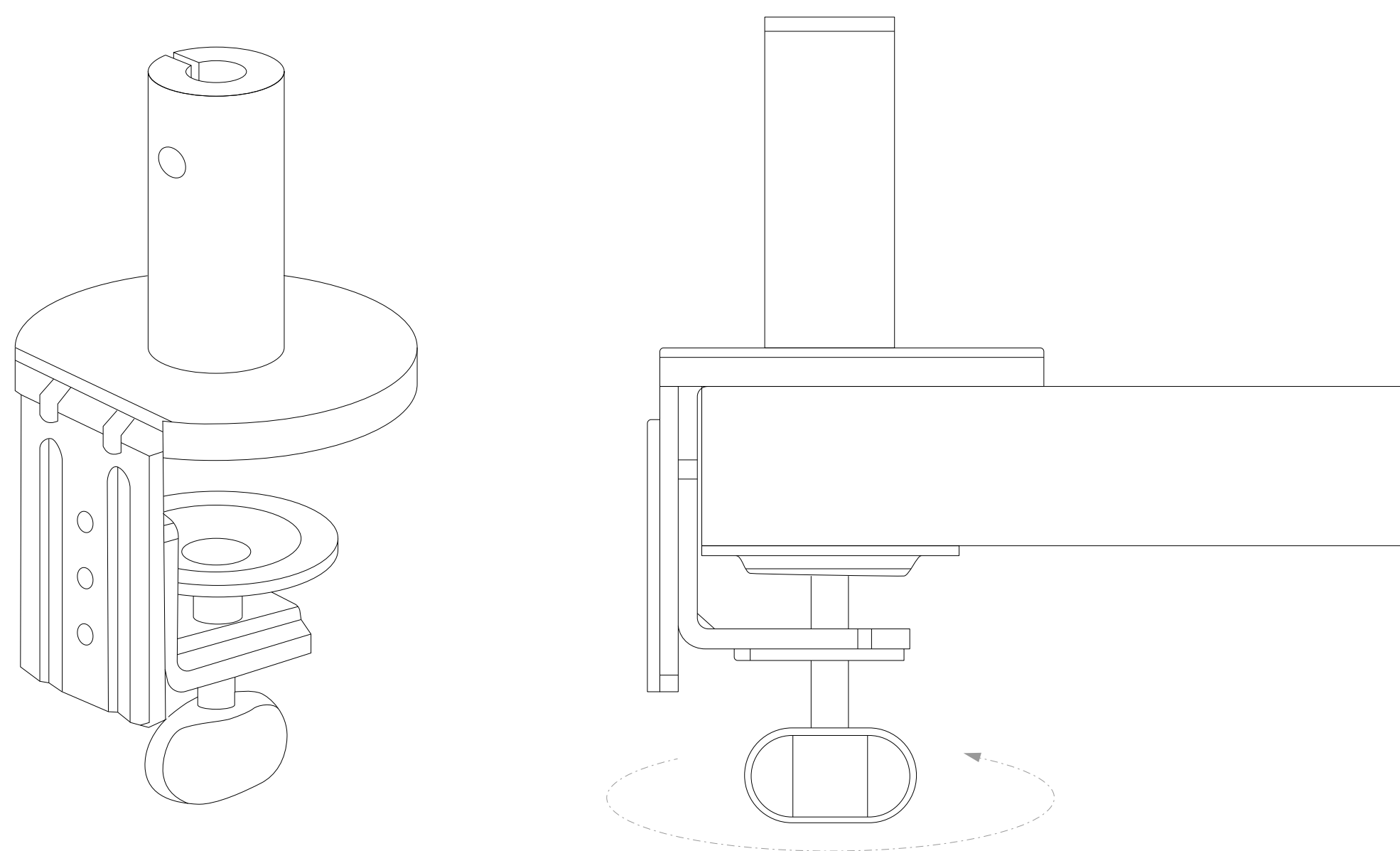


Clamp

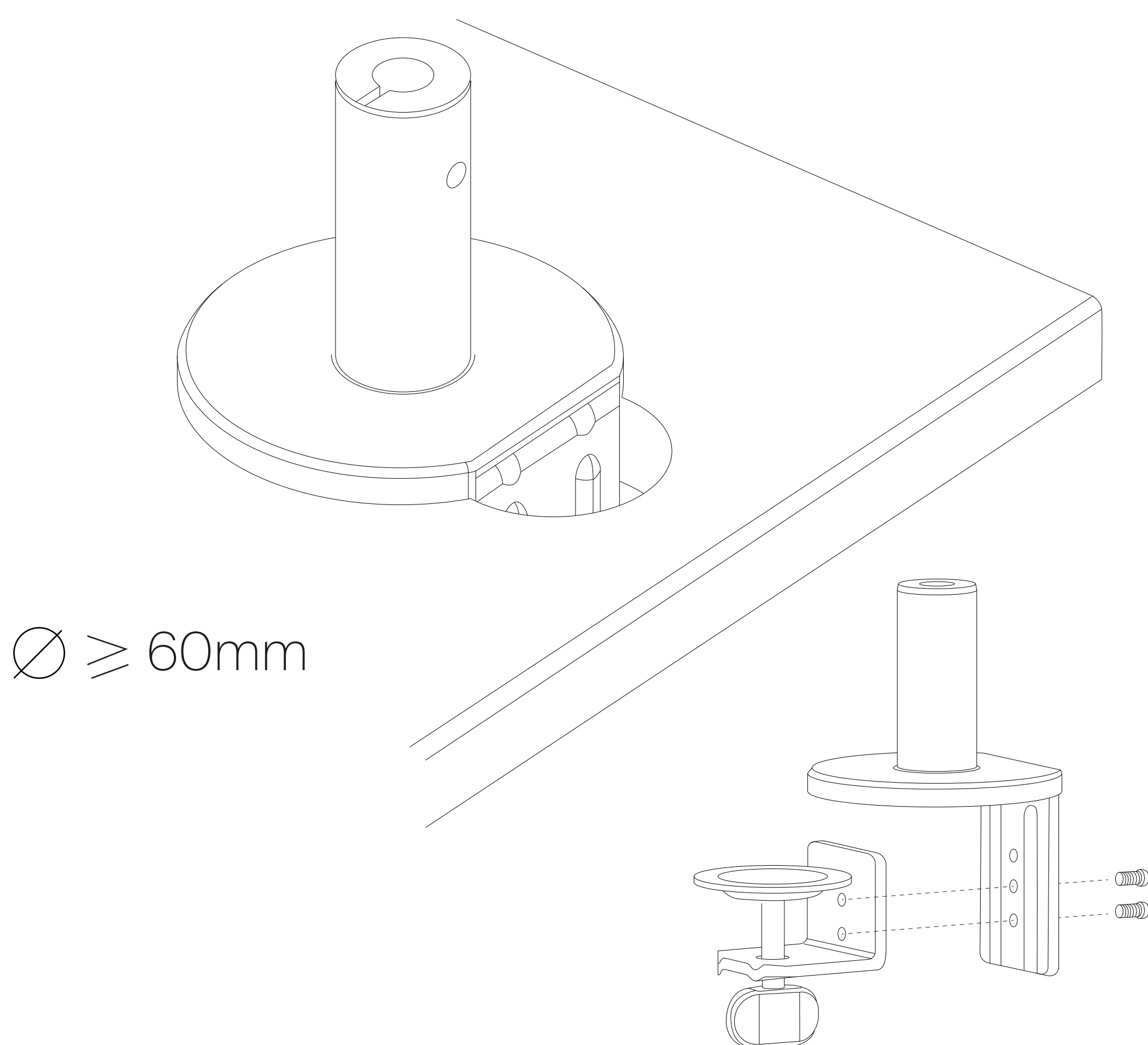
First thing's first - clamp it on!

Slide the clamp and bracket onto the flat edge on the rear of your desktop, then turn the handle clockwise to tighten.

For installation on open edge of work surface



For installation through a grommet hole



TIP: When installing through grommet hole, detach the bottom clamp from the top bracket by loosening bracket screws with Allan key, as shown above.



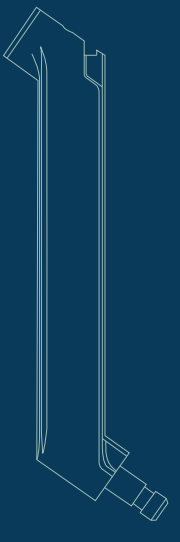
RECESS

2

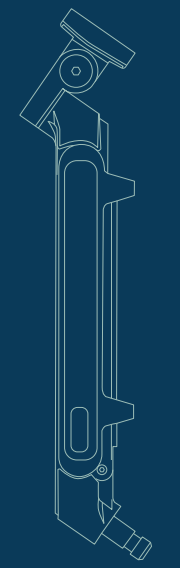
Time to assemble!

Now, let's take the rear leg and insert it into the base stem. Use an Allan key to tighten the screw in the stem.

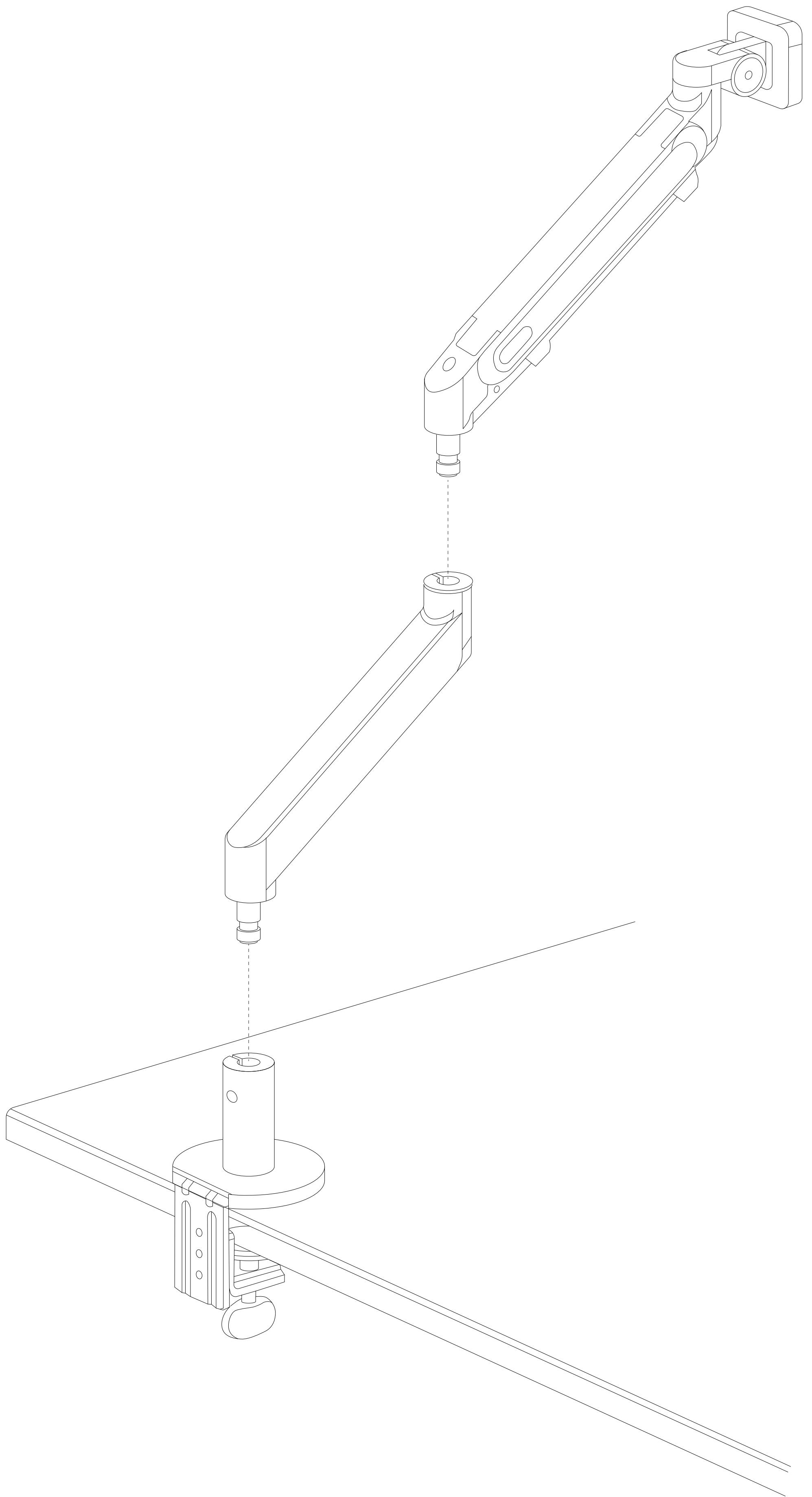
Then, insert the arm into the rear leg.



Rear Leg



Arm

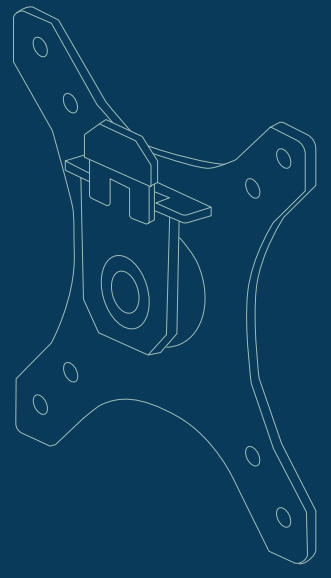


TIP: The pieces are a snug fit so be sure to give it some elbow grease when inserting them.

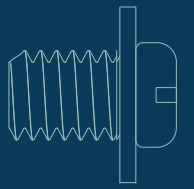


RECESS

3



Head

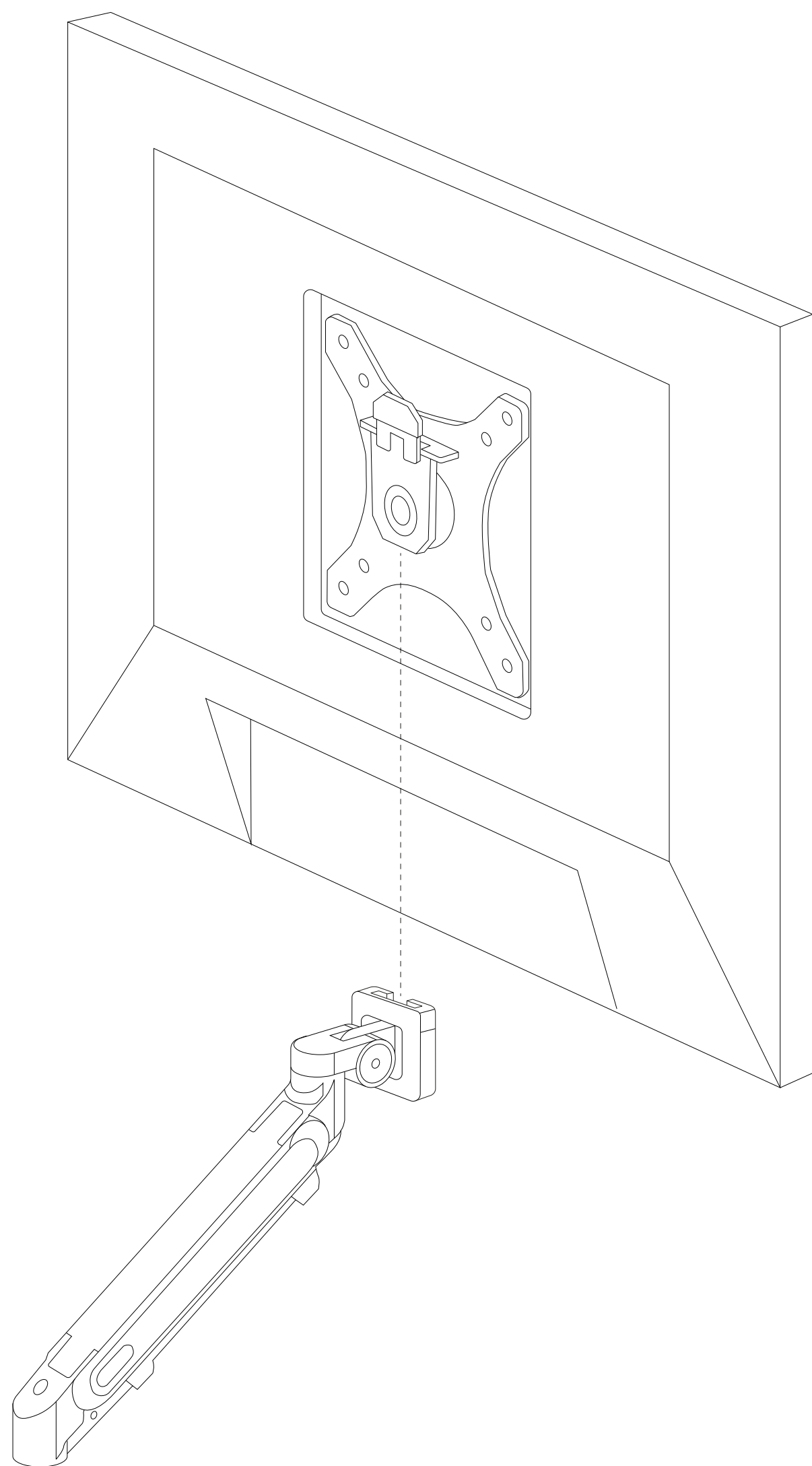
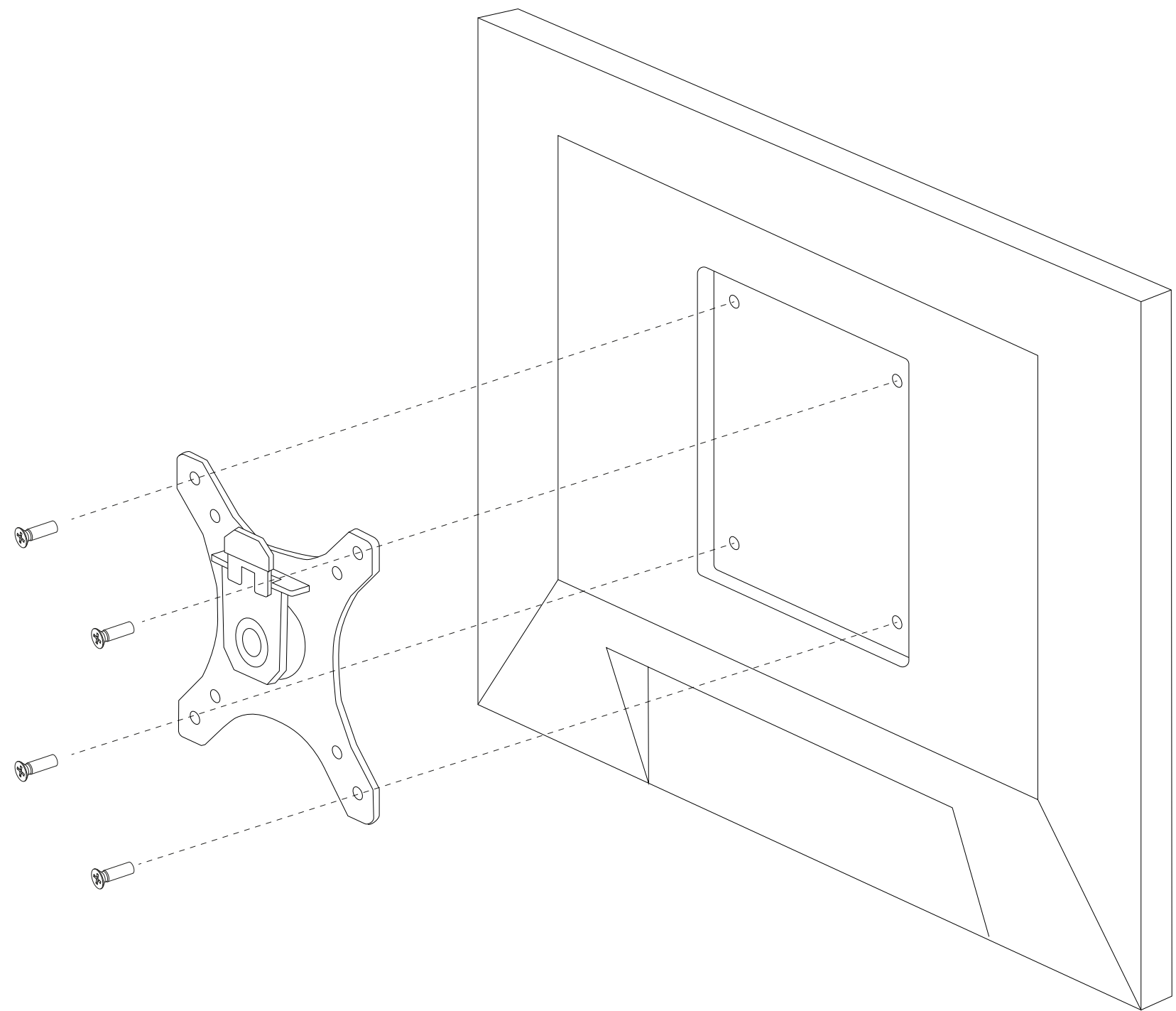


M4 Bolt
(Small) x 6

Secure the screen...

Use 4 small bolts to attach the head to your monitor.

Then, clip the attached head onto the arm.



TIP: You might want to ask a friend for some help with this part if your monitor has a bit of weight to it!



All done!

Whether you're shipping code for the next great Aussie startup, leverage trading on crypto or just having a gander on the web, we hope your new Monitor Arm keeps you working healthy and happy, giving you time for some Recess and play!

Now don't be shy. Show us how it looks!

@recess.au

#myrecessoffice

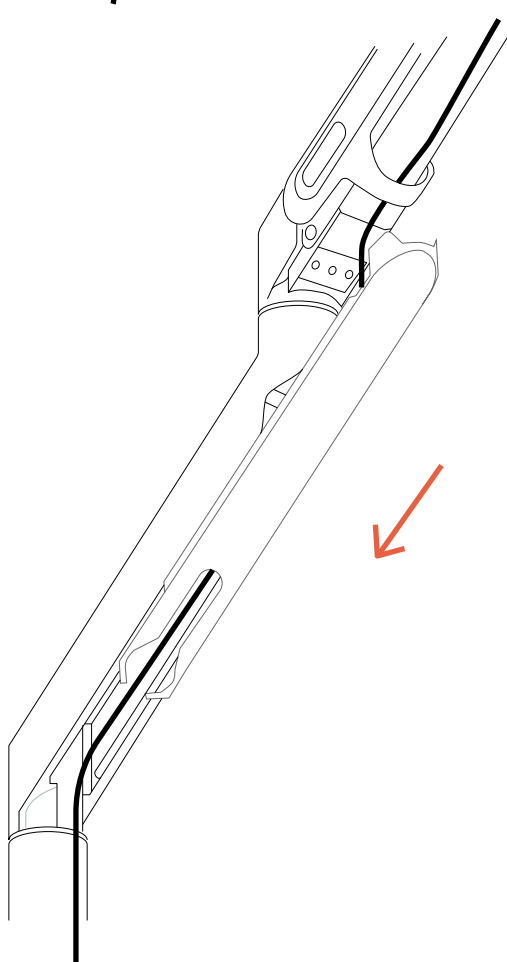
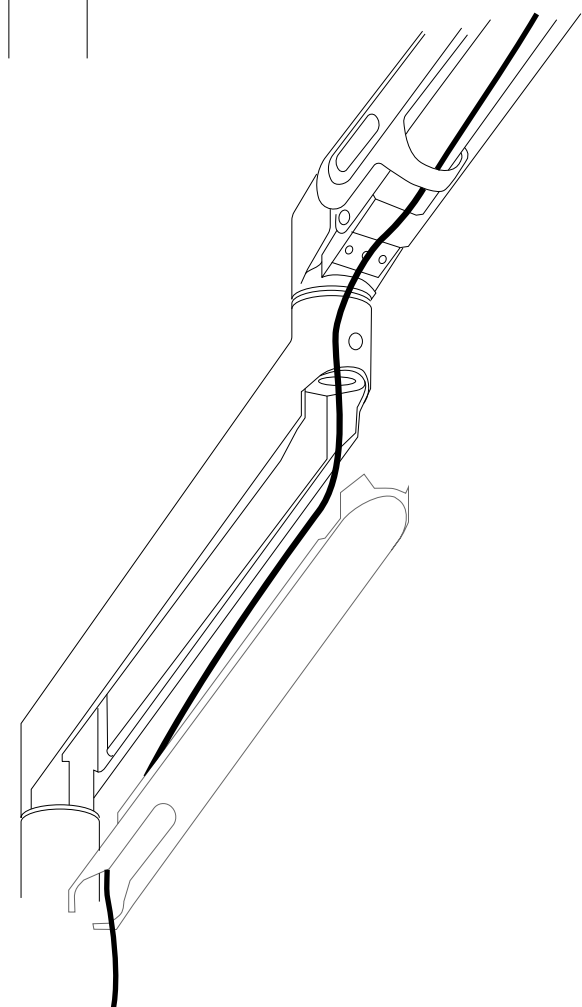
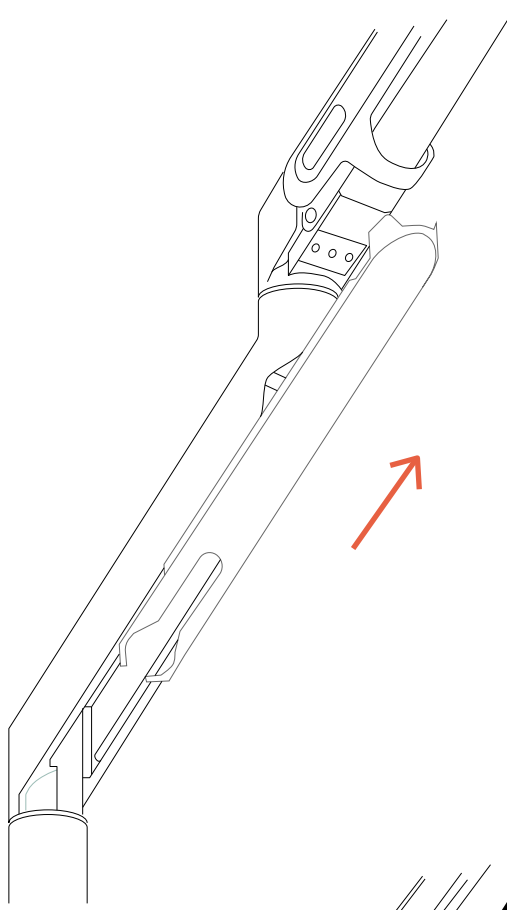
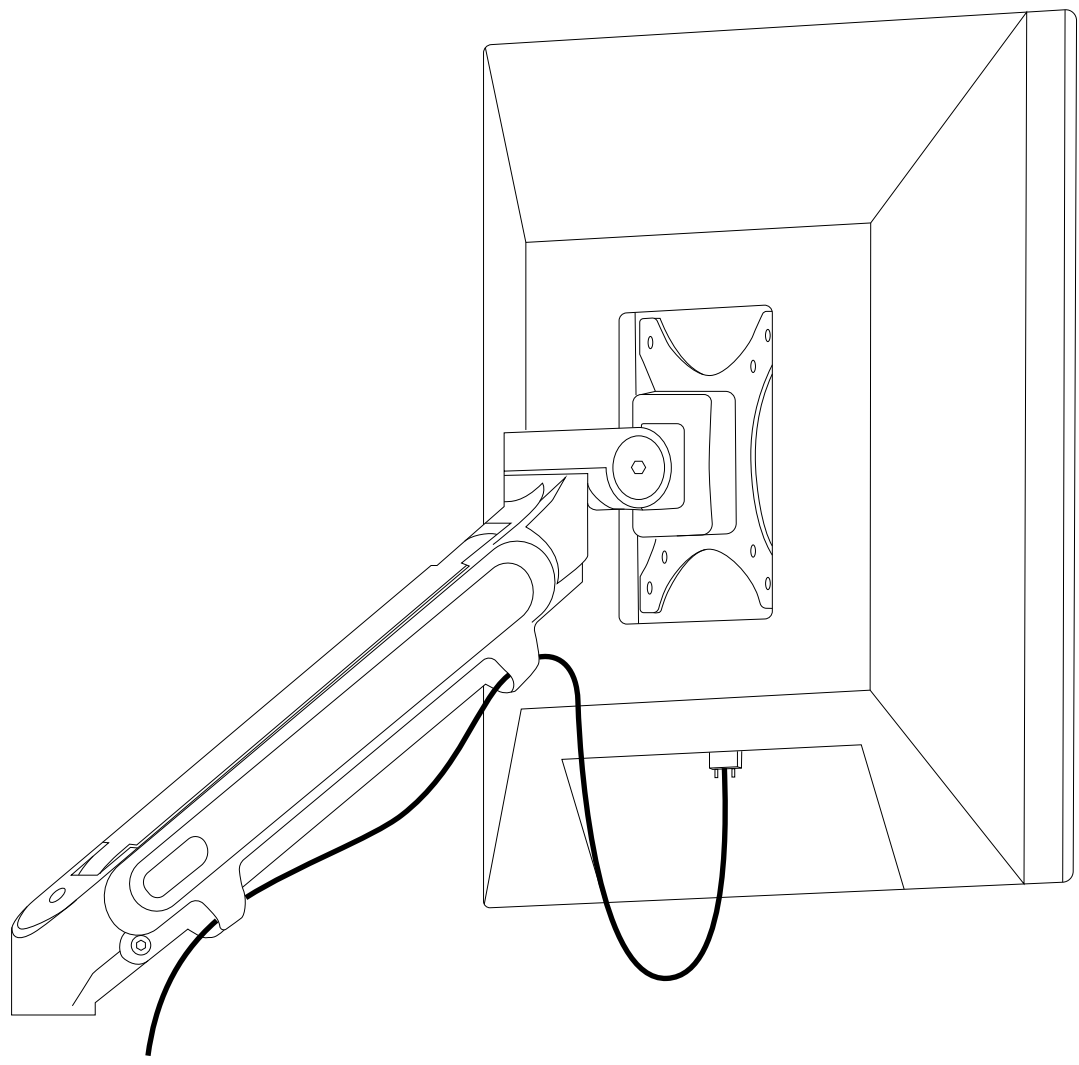
Contact:

Have a question, comment or suggestion?
hello@recess.com.au

RECESS

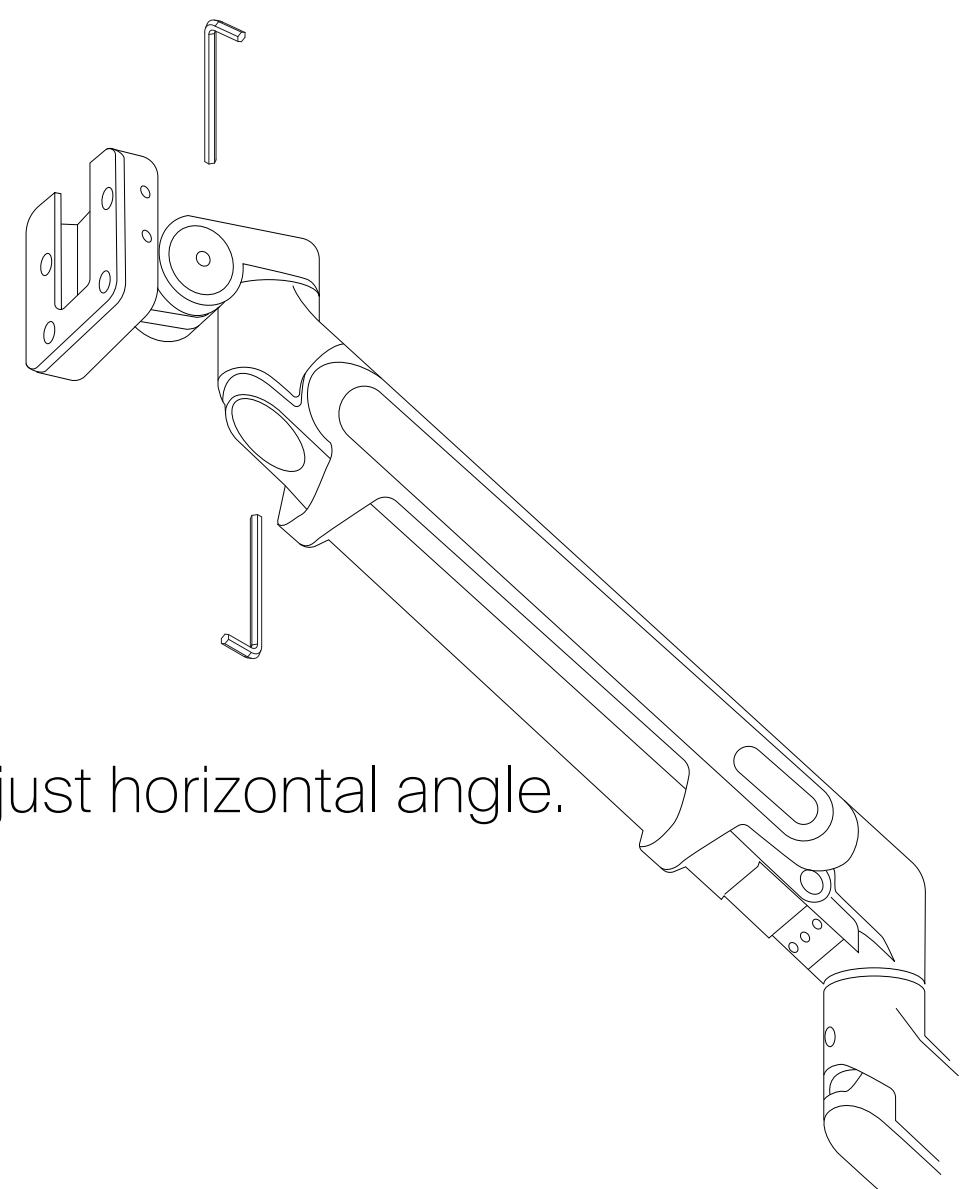
Operating Instruction

Cable management

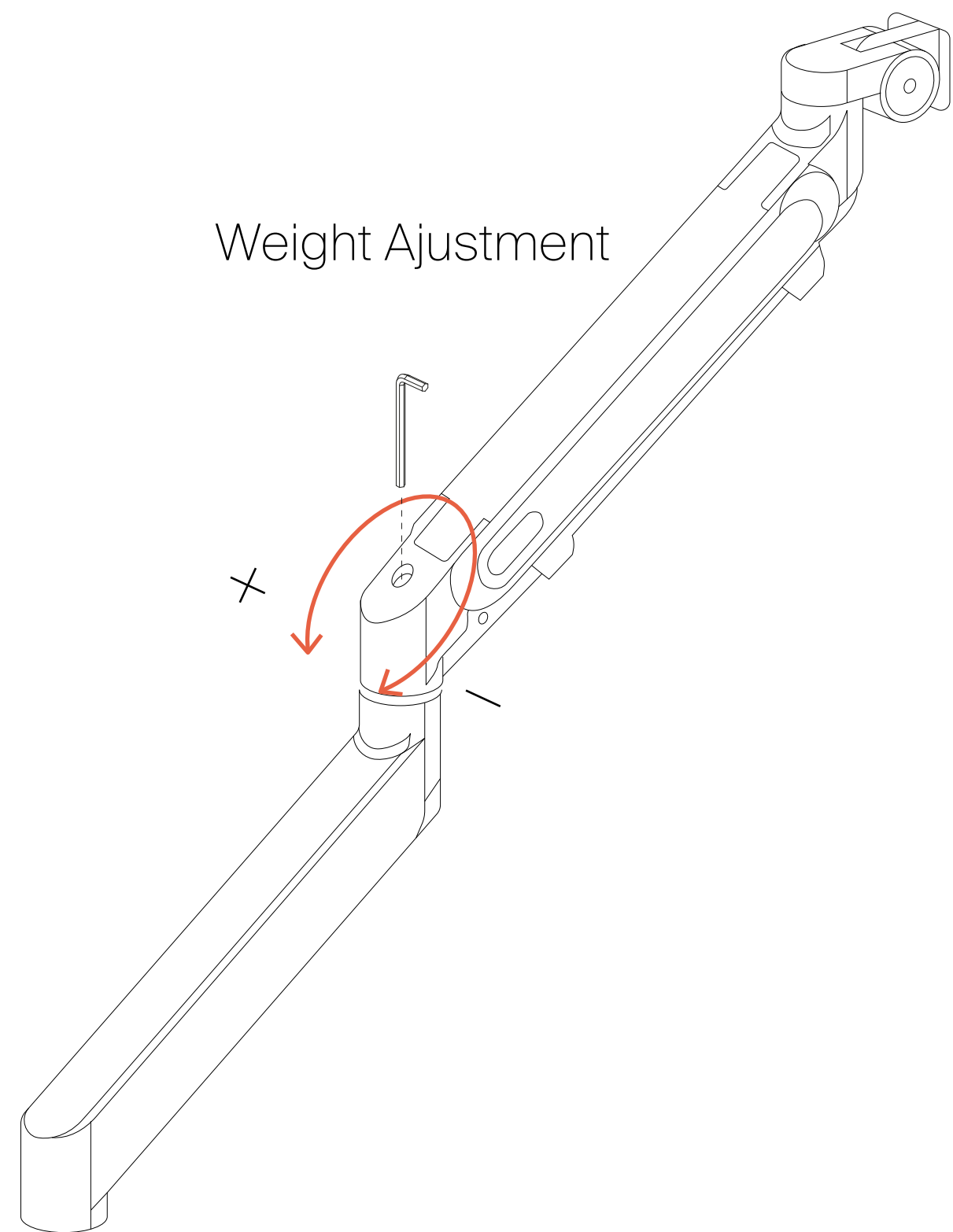


Arm Adjustment

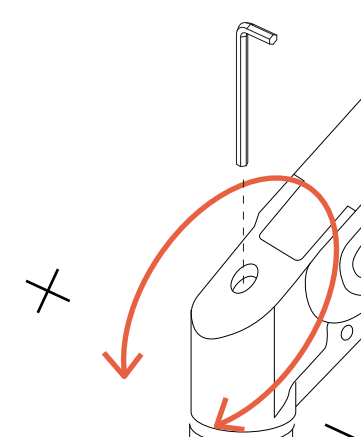
Adjust pitching angle.



Adjust horizontal angle.



Weight Adjustment



RECESS

RECESS