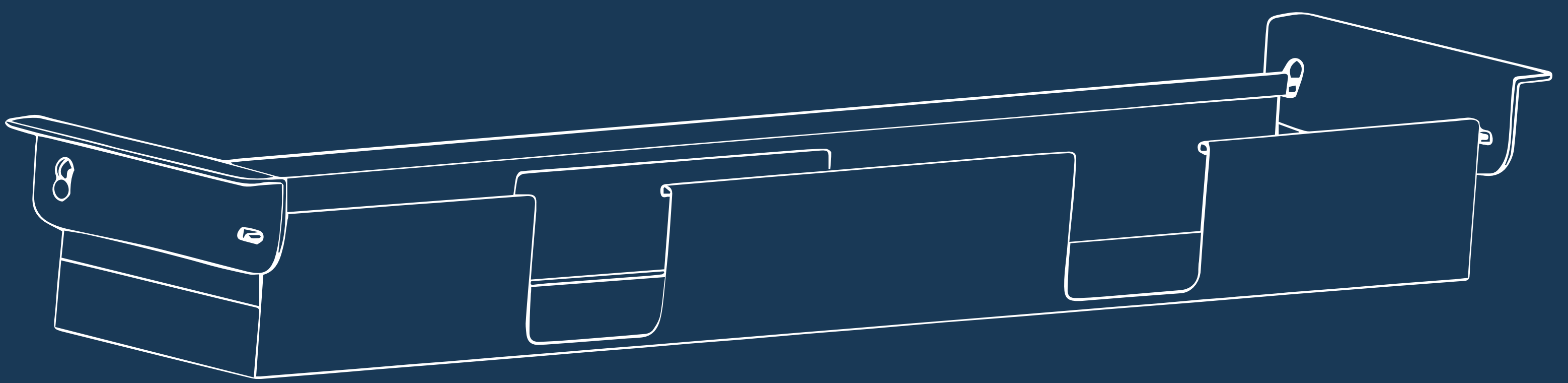


# Cable Management

## Assembly and User Guide

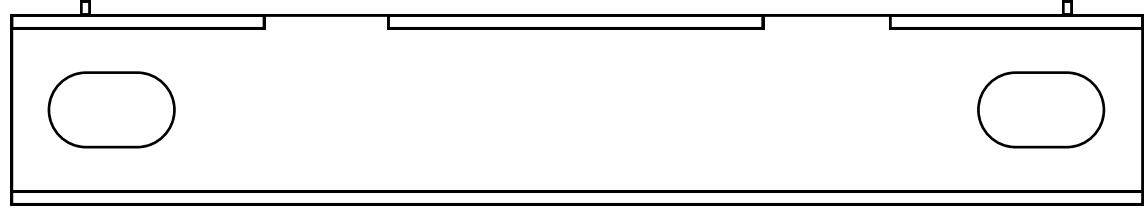
---

For Single Desk

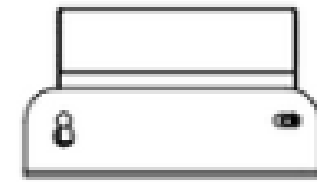


**RECESS**

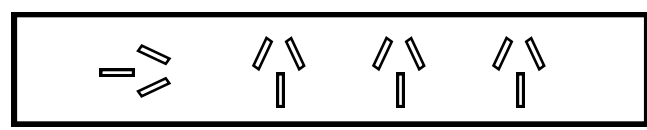
# In the Box



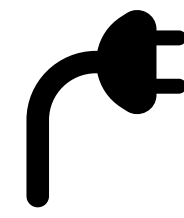
Cable Tray x 1



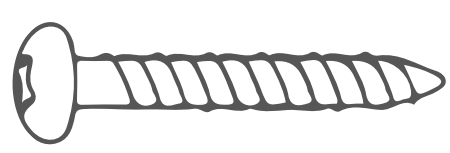
Mounting Brackets x 2



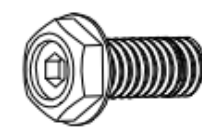
Powerboard x 1  
(Optional)



Power Cord x 1  
(Optional)



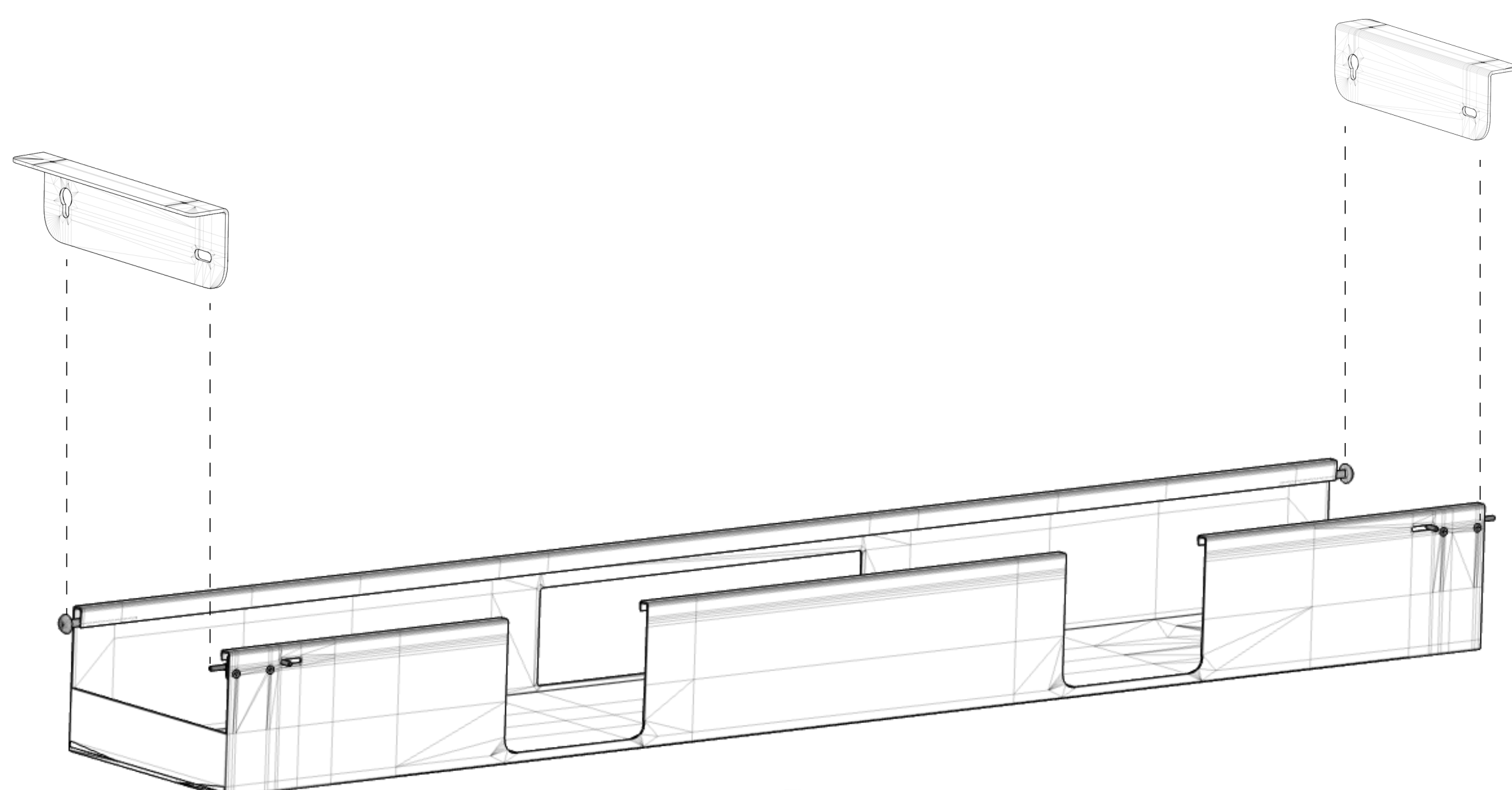
Medium Screws  
x 5



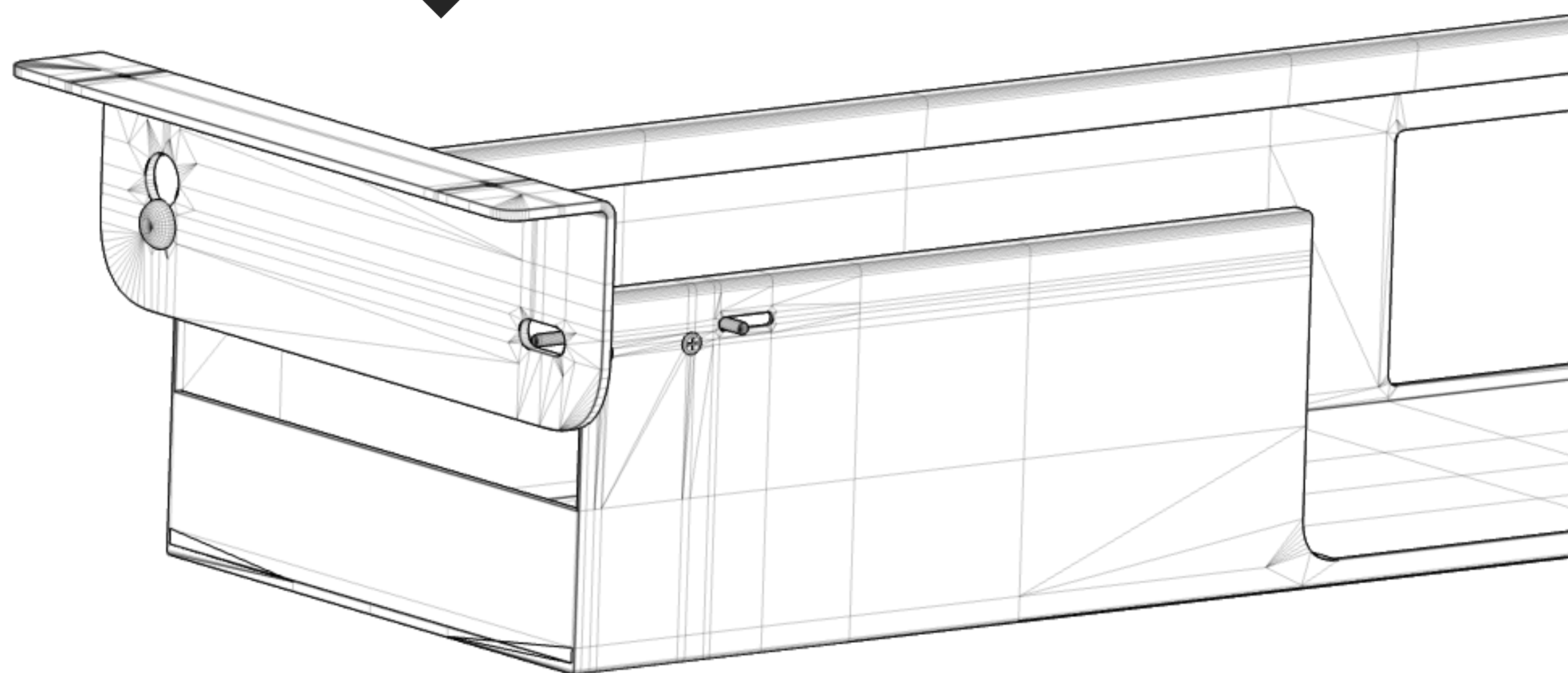
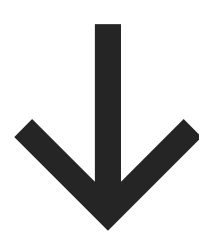
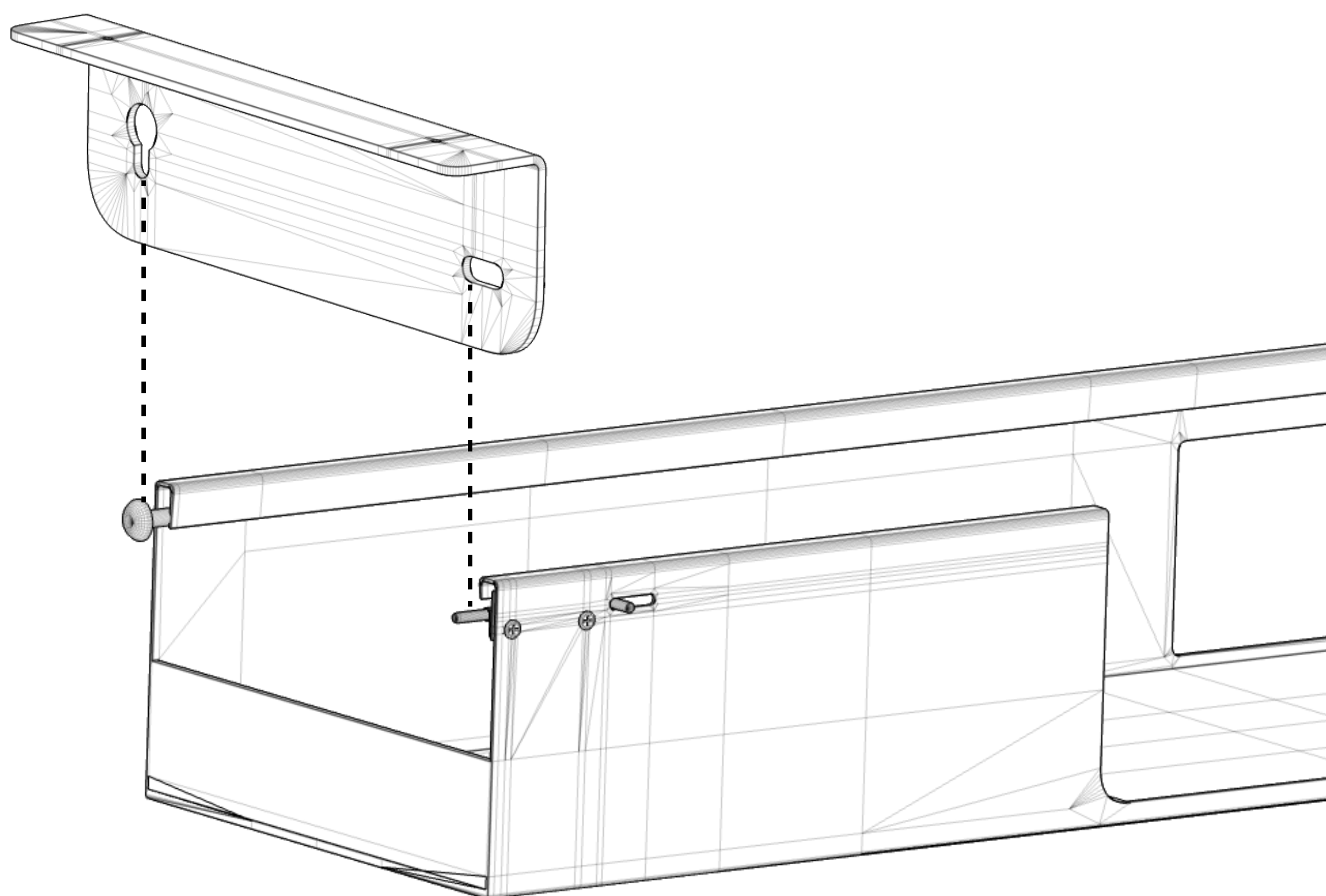
Machine Screws  
x 3 (these can be ignored)

# 1

Hang the **Mounting Brackets** onto both sides of the tray. We'll use the tray as a guide for where to affix the mounting brackets on the top.



A closer look



Remember to do the right side too!

RECESS

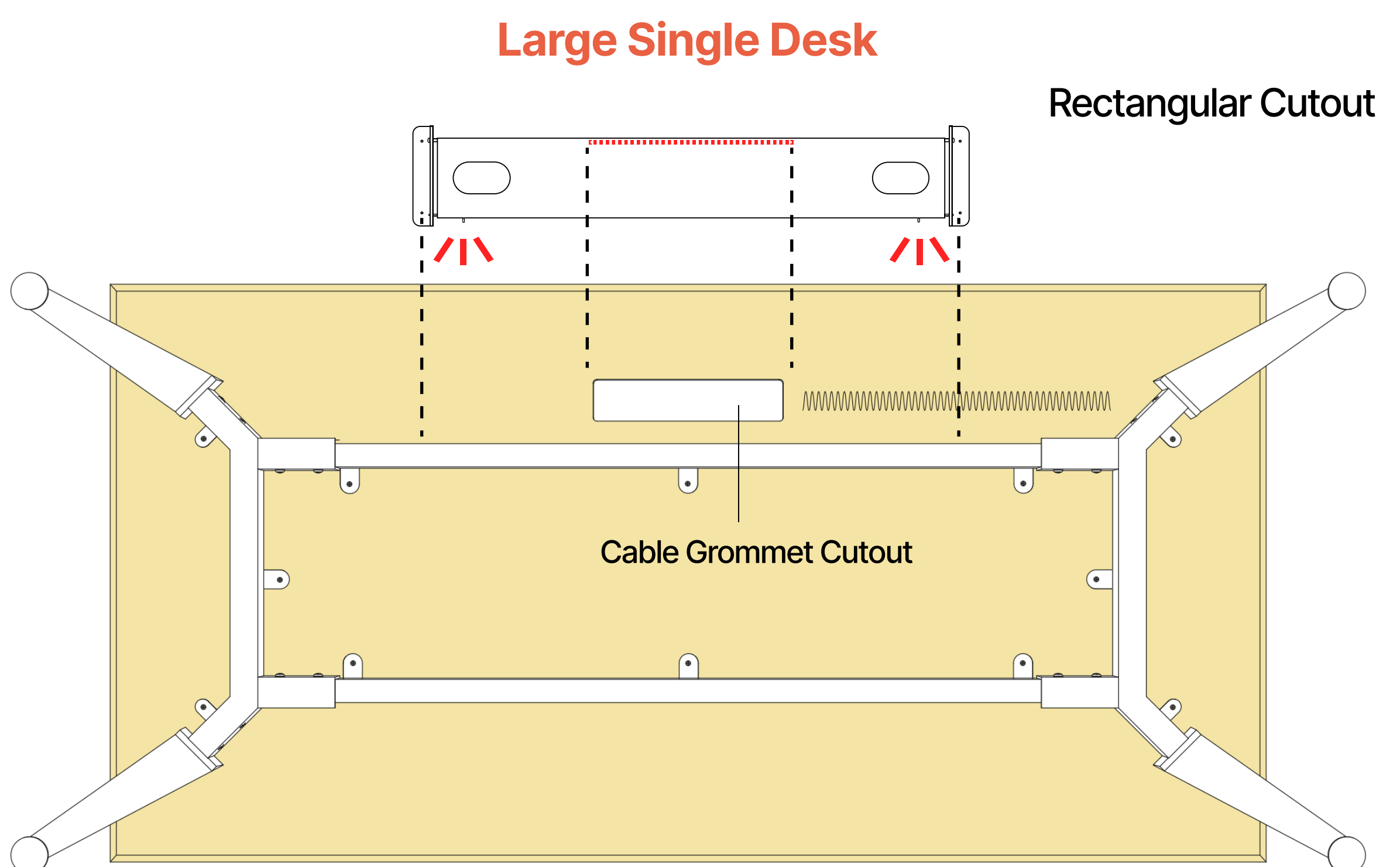
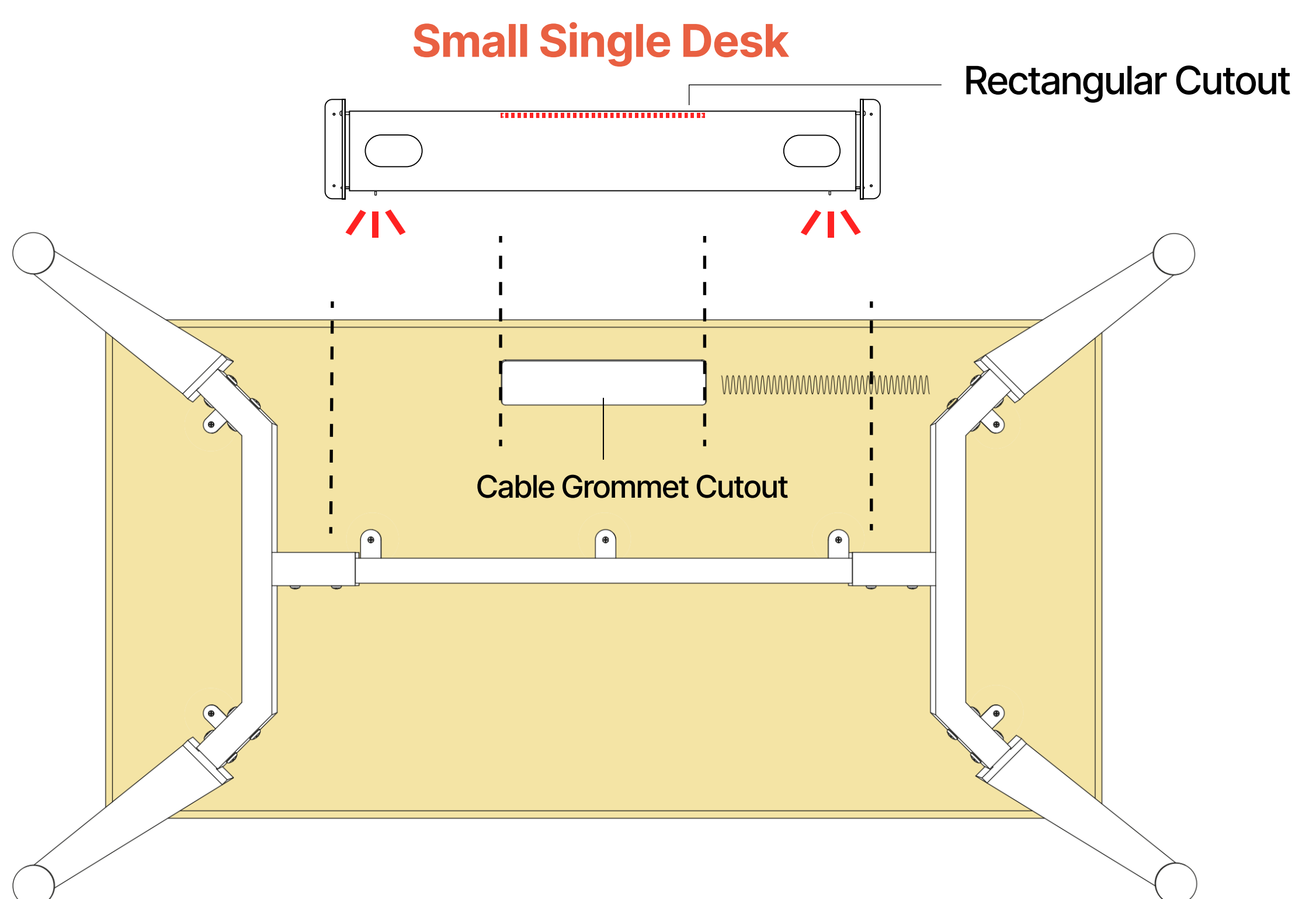


# 2

Flip your **Cable Tray** and **Mounting Brackets** over and place the tray on the desk top and over the cable grommet cutout.

Ensure that the rectangular cutout on the back face of the tray is in line with the cable grommet cutout and is closest to the back edge of the desk top.

## Underside view of Single Desk

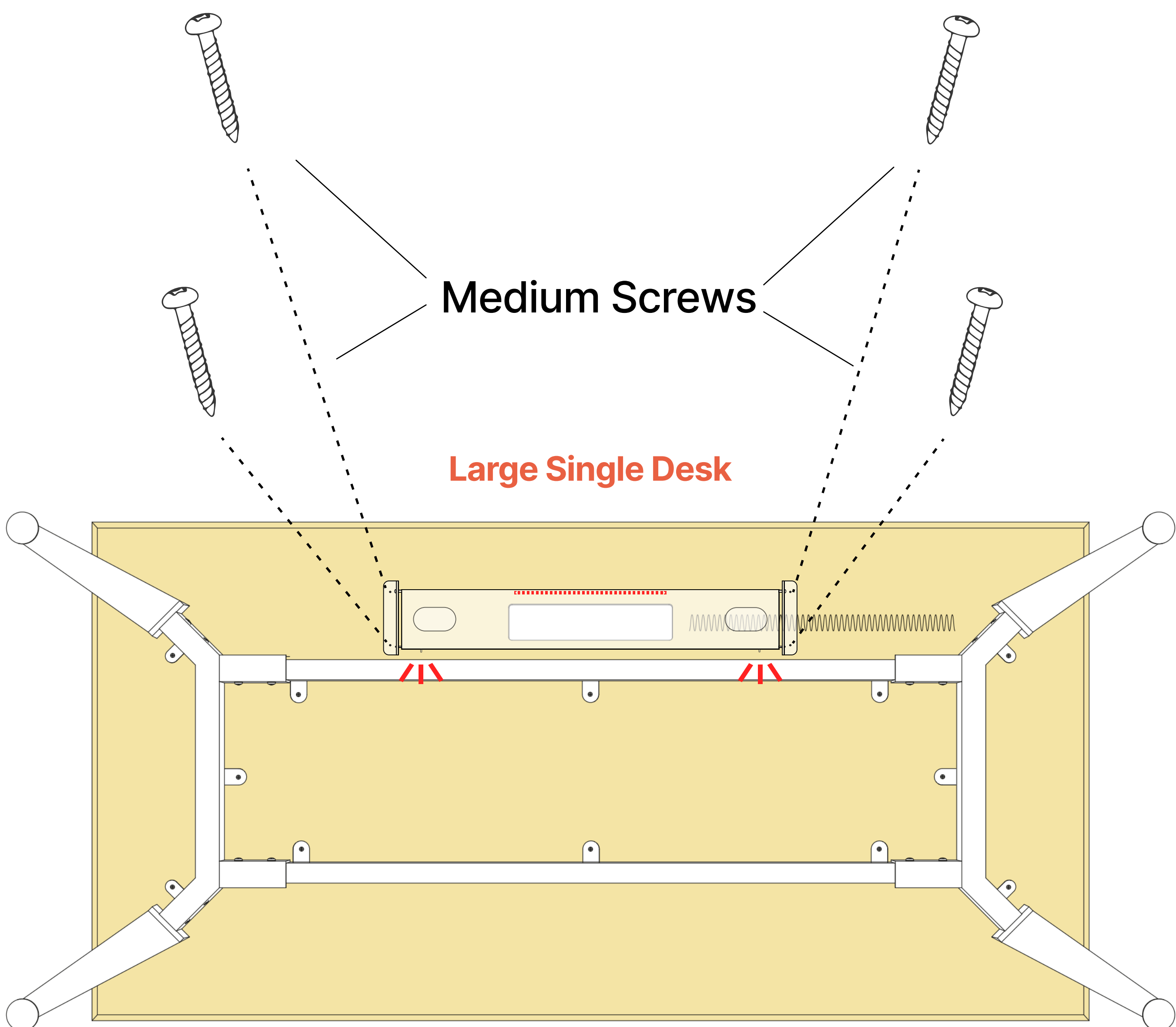
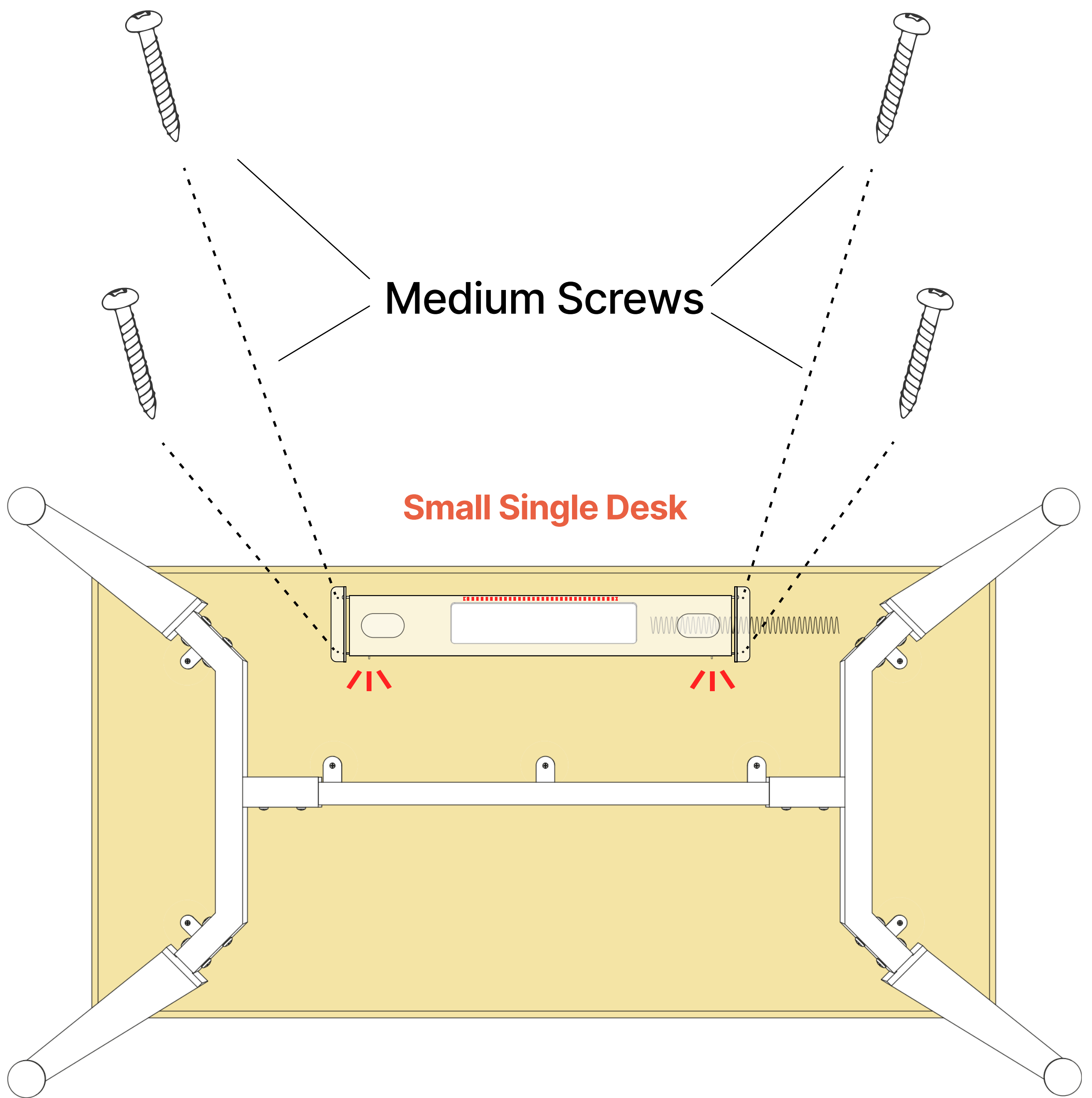


# 3

Drill the **Mounting Brackets** directly into your desk top. Start with one side first and use this as your guide for where you drill the other mounting bracket.



Medium Screws  
x 4



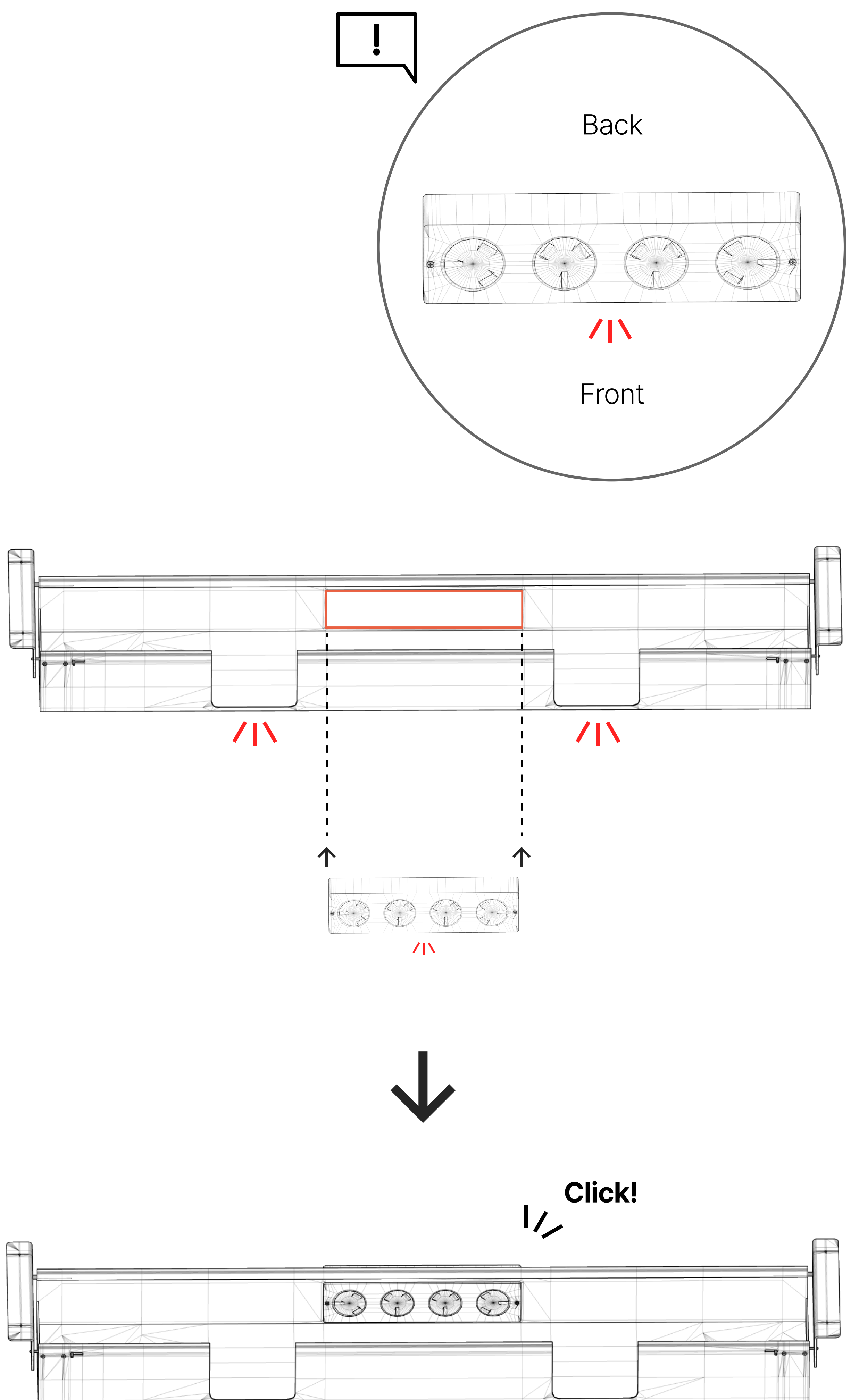
RECESS

# 4

The following steps are for customers that purchased the optional **Powerboard** and **Powercord**.

Now that the **Cable Tray** is drilled into the desk, it's time to put the power in.

Next, clip the **Powerboard** in from the inside of the tray, you will hear a click once it's in properly.



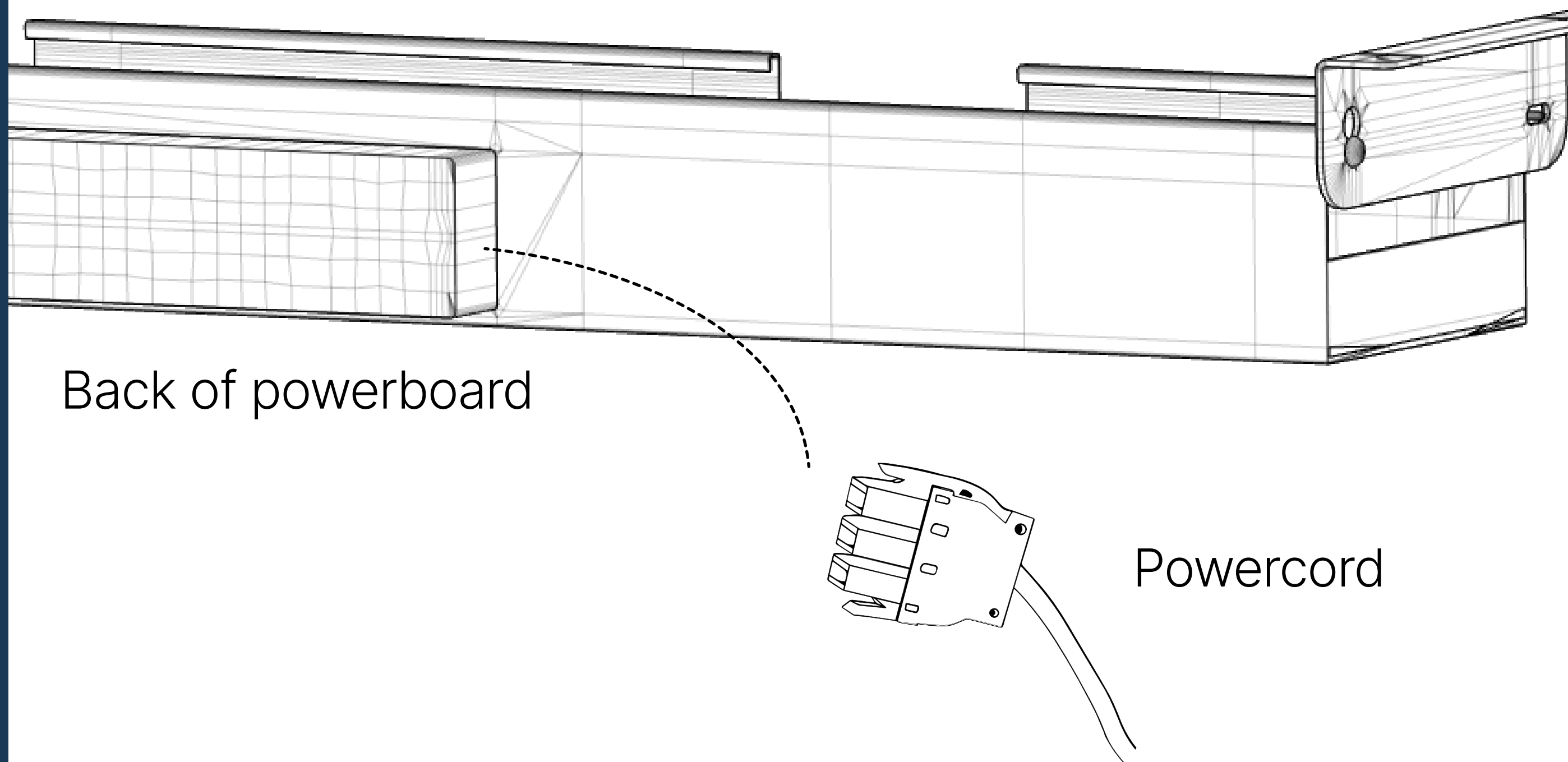
RECESS



# 5

Now that we have the **Powerboard** in, we just need to connect the **Powercord** into the back of the **Powerboard** from the outside and plug into your wall power outlet.

## Back of Cable Tray



# All done!

Awesome job on putting together your cable management tray! Keeping your cables organised not only looks better but it also makes your workspace safer and more functional. Now that you have your new tray, you can enjoy a more efficient workspace without worrying about tripping hazards or equipment damage.

If you have any questions, feel free to reach out to our customer support team. Thanks for choosing our product and happy organising!

Now don't be shy. Show us how it looks!

**@recess.au**

**#myrecessoffice**

Contact:

Have a question, comment or suggestions?

hello@recess.com.au

RECESS



# RECESS

We promise to only post the good stuff!  
Follow us on Instagram and thank us later.

