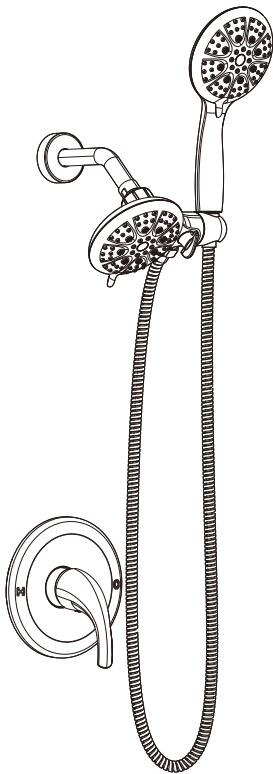
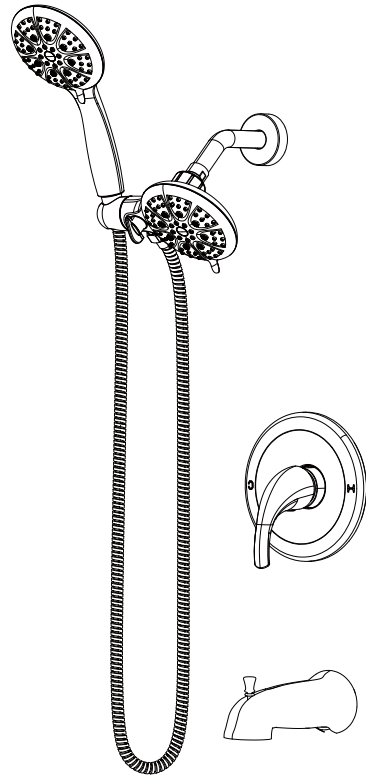


Installation Manual

Shower Faucet Trim Kit



Model 1



Model 2

Please do not hesitate to contact us with your questions, concerns and/or problems, we're here to help. We will replace or repair your product free of charge.

Contact US: mikechen@eyakult.com (USA)
zhongly@eyakult.com (Canada)

Catalog

Certification	01
Instruction of model 1 shower faucet	03
Instruction of model 2 shower faucet with tub spout	09
Warranty	16

IAPMO RESEARCH AND TESTING, INC.

5001 East Philadelphia Street, Ontario, California 91761-2816 – USA • 909-472-4100 • 909-472-4244 • www.iapmort.org



CERTIFICATE OF LISTING

IAPMO Research and Testing, Inc. is a product certification body which tests and inspects samples taken from the supplier's stock or from the market or a combination of both to verify compliance to the requirements of applicable codes and standards. This activity is coupled with periodic surveillance of the supplier's factory and warehouses as well as the assessment of the supplier's Quality Assurance System. This listing is subject to the conditions set forth in the characteristics below and is not to be construed as any recommendation, assurance or guarantee by IAPMO Research and Testing, Inc. of the product acceptance by Authorities Having Jurisdiction.

This certificate is not evidence of current listing. To verify listing status, visit the IAPMO R&T Product Listing Directory at pld.iapmo.org

Effective Date: March 2019 –Rev. 12/4/2019– Void After: March 2024
Product: Plumbing Fixture Fittings – Components File No. MC-9703
Issued To: Ningbo Wanhai Cartridge Technology Co., Ltd.
Xiachen Zone, Chunhu
Fenghua, NINGBO 315538
China

Identification: Each fitting component shall bear permanent legible markings to identify the manufacturer. This marking shall be the trade name, trademark, or other mark known to identify the manufacturer. The product shall also bear all other markings required by the standard. The marking shall be applied so as to be visible after installation. The product or packaging shall also bear the cUPC® certification mark along with the term "COMPONENT" above.

Characteristics: Plumbing fixture fitting components to be installed in accordance with the manufacturer's instructions and the requirements of the latest edition of the Uniform Plumbing Code.

Products listed on this certificate have been tested by an IAPMO R&T recognized laboratory. This recognition has been granted based upon the laboratory's compliance to the applicable requirements of ISO/IEC 17025.

Products are in compliance with the following code(s):
Uniform Plumbing Code (UPC®)


Chairman, Product Certification Committee


CEO, The IAPMO Group



This listing period is based upon the last date of the month indicated on the Effective Date and Void After Date shown above. Any change in material, manufacturing process, marking or design without having first obtained the approval of the Product Certification Committee, or any evidence of non-compliance with applicable codes and standards or of inferior workmanship, may be deemed sufficient cause for revocation of this listing. Production or reference to this form for advertising purposes may be made only by specific written permission of IAPMO Research and Testing, Inc. Any alteration of this certificate could be grounds for revocation of the listing. This document shall be reproduced in its entirety.

IAPMO RESEARCH AND TESTING, INC.

5001 E. Philadelphia Street, Ontario, CA 91761-2816 • (909) 472-4100 • Fax (909) 472-4244 • www.iapmort.org



IAPMO R&T Product Listing



This IAPMO R&T Listing is current as of 4/16/2019

Product: Plumbing Fixture Fittings*Materials/Components*

File No. MC-7195

Issued To: KAIPING YIZHAN VALVE CORE CO., LTD.
2ND XIHU ROAD
CUIZHANHU NEW DISTRICT
KAIPING, GD GUANGDONG529339
CHINA

Identification: Each fitting component shall bear permanent legible markings to identify the manufacturer. This marking shall be the trade name, trademark, or other mark known to identify the manufacturer. The product shall also bear all other markings required by the standard. The marking shall be located where it can be readily seen after installation is complete. The product or packaging shall also bear either the cUPC® certification mark with "COMPONENT" above or the cM/C® certification mark.

Characteristics: Plumbing fixture fitting components to be installed in accordance with the manufacturer's instructions and the requirements of the latest edition of the Uniform Plumbing Code.

Products listed on this certificate have been tested by an IAPMO R&T recognized laboratory. This recognition has been granted based upon the laboratory's compliance to the applicable requirements of ISO/IEC 17025.

Products are in compliance with the following code(s):

Uniform Plumbing Code (UPC®)
National Plumbing Code of Canada

Products are in compliance with the following standard(s):

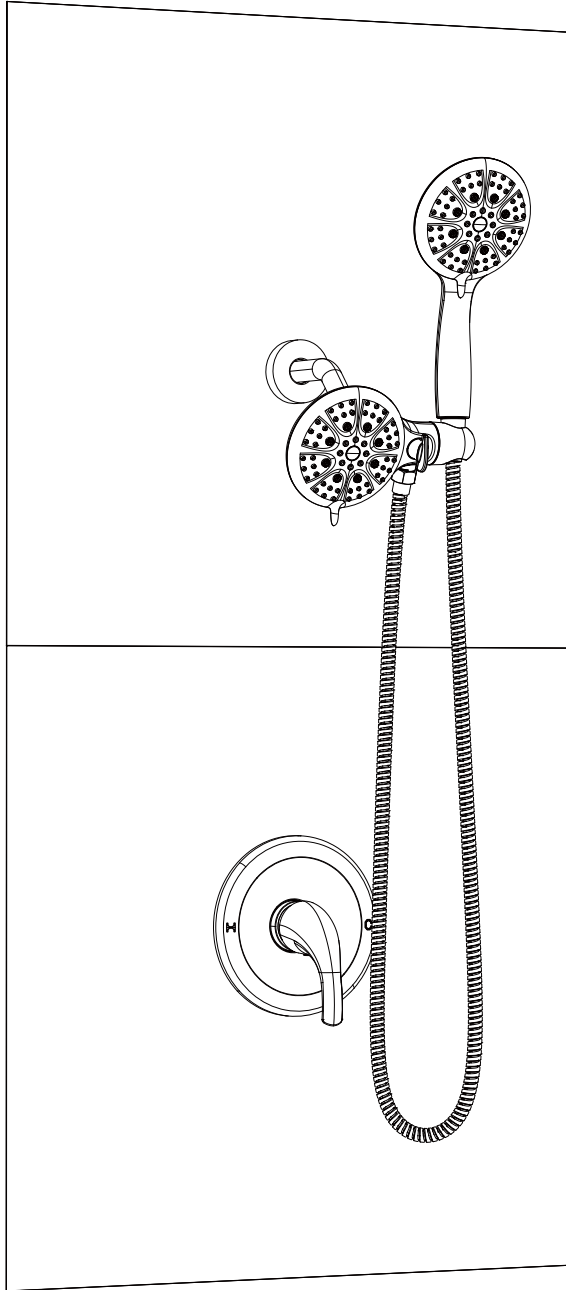
ASME A112.18.1-2018/CSA B125.1-18

MODELS:

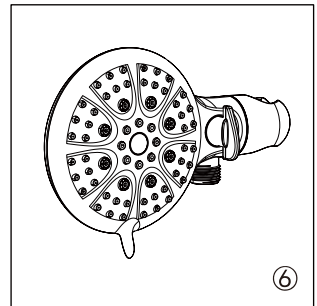
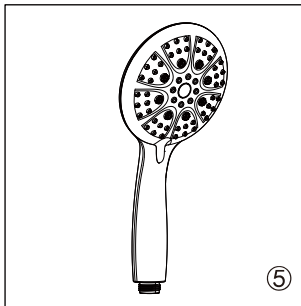
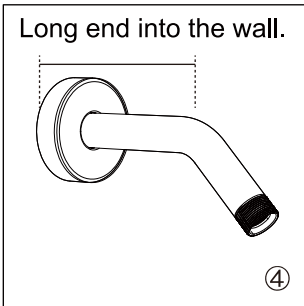
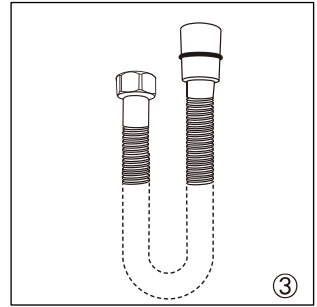
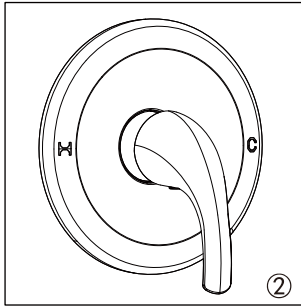
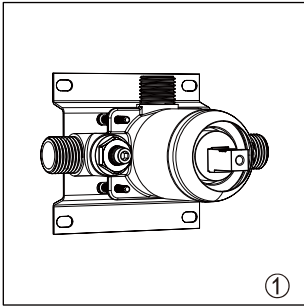
2019/4/16

models_0007195

N35DW	35mm Single lever w/out distributor
N35HAW	35mm Joystick w/ distributor
N35HBW	35mm 2-Step Flow Regulator Ceramic Cartridge with Distributor with Filter
N35HEW	35mm Side-outlet Ceramic Cartridge with Distributor with Filter
N35HJ	35mm Ceramic Cartridge
N35HK	35mm Ceramic Cartridge
N35HW	35mm Single lever w/ distributor
N35HY	35mm Ceramic Cartridge
N40DAW	40mm Joystick w/out distributor
N40DBW	40mm 2-Step Flow Regulator Ceramic Cartridge w/o Distributor with Filter
N40DEW	40mm Side-outlet Ceramic Cartridge w/o Distributor with Filter
N40DW	40mm Single lever w/out distributor
N40HAW	40mm Joystick w/ distributor
N40HBW	40mm 2-Step Flow Regulator Ceramic Cartridge with Distributor with Filter
N40HEW	40mm Side-outlet Ceramic Cartridge with Distributor with Filter
N40HK	Pressure Balance Cartridge
N40HKC	Pressure Balance Cartridge
N40HL	Pressure Balance Cartridge
N40HLC	Pressure Balance Cartridge
N40HW	40mm Single lever w/ distributor
S25D	25MM Ceramic Cartridge



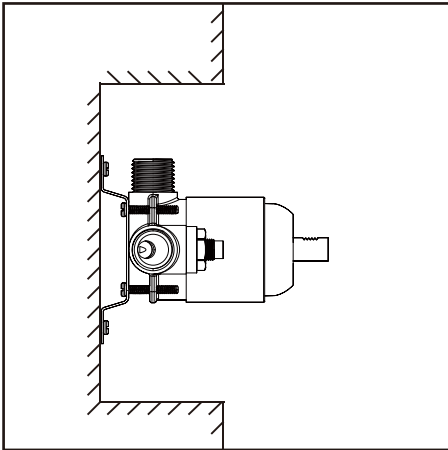
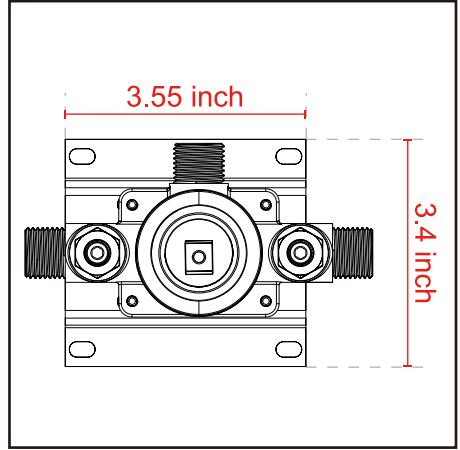
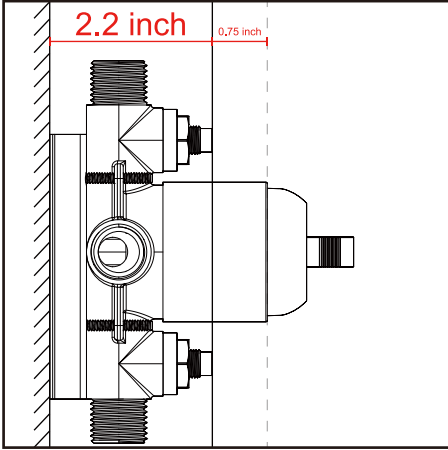
Essential accessories list



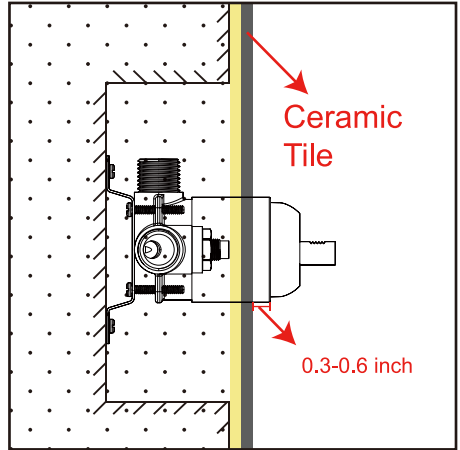
WARNING:

Choking hazard. Keep all small parts and plastic bags out of the reach of children and pets.

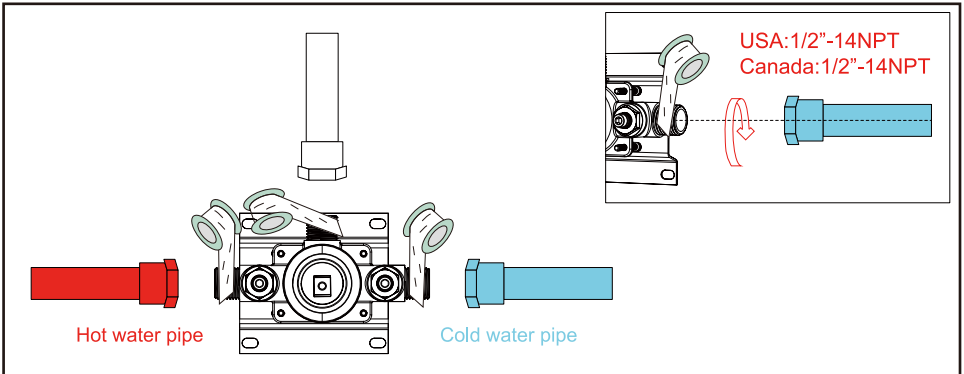
Step 1: Install Shower Valve



Before tiling



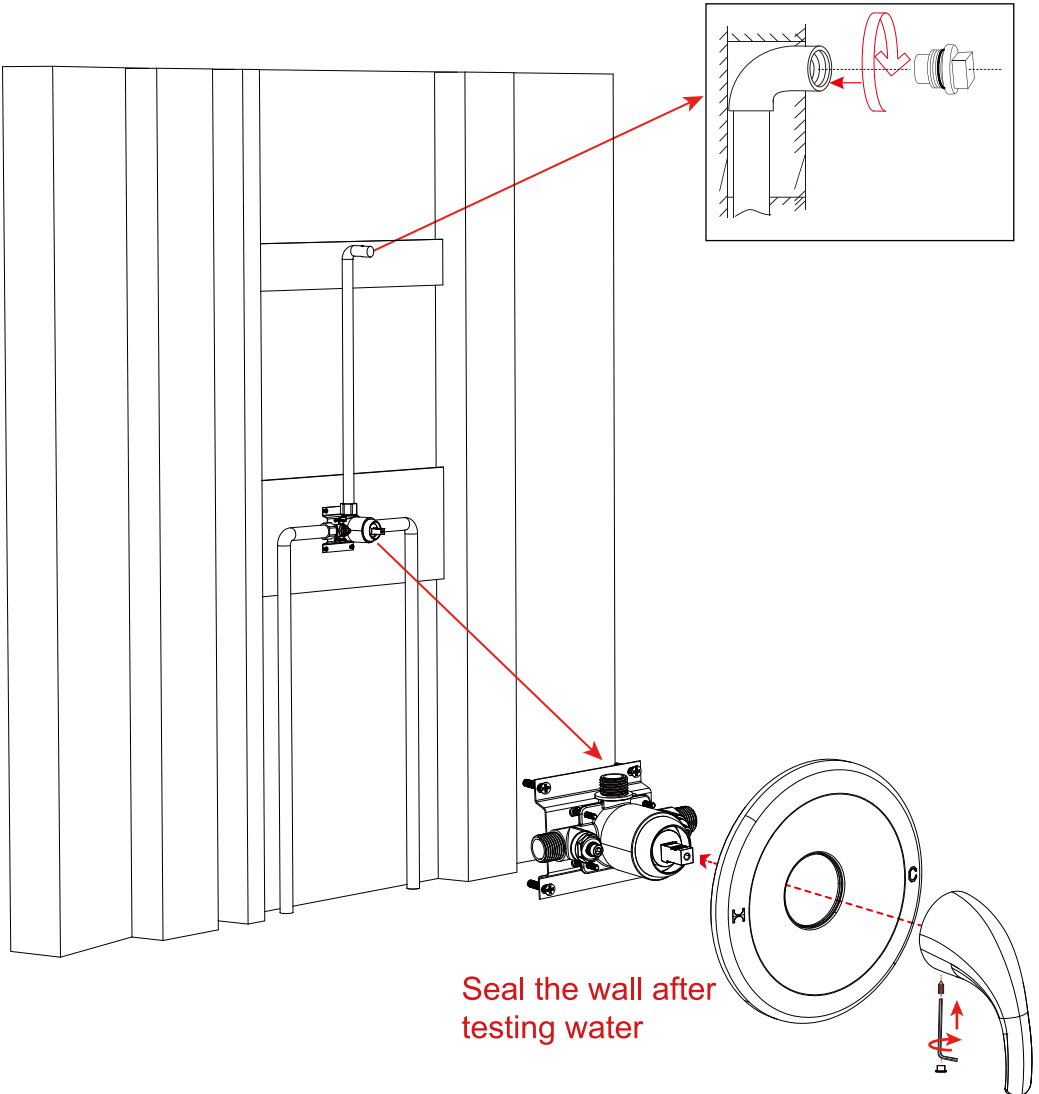
Finished Tiles



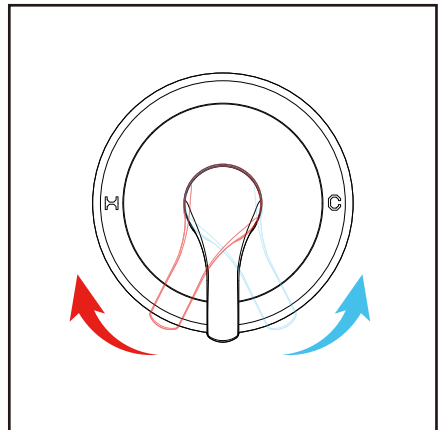
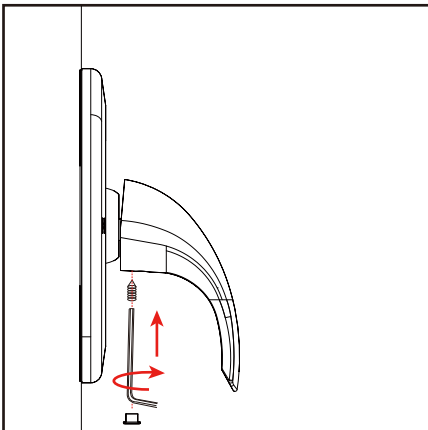
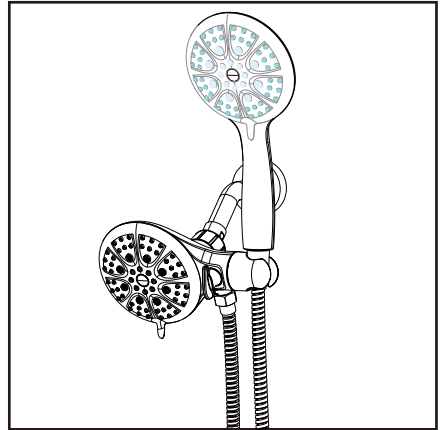
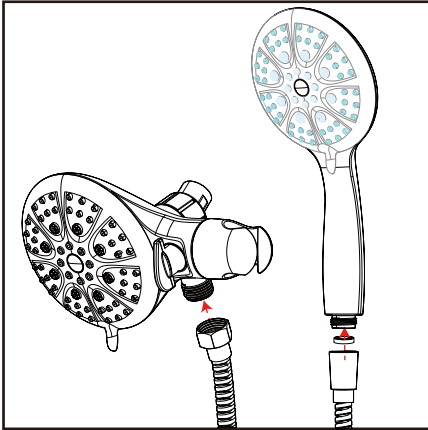
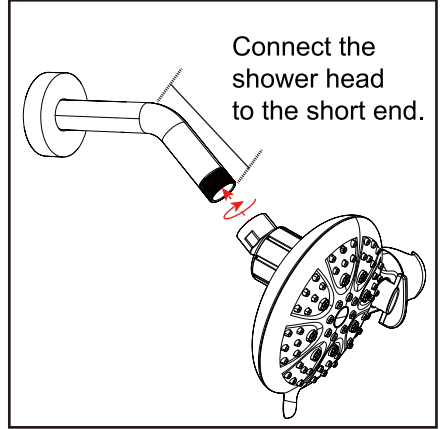
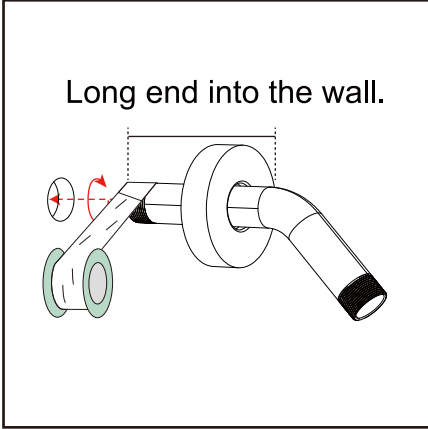
Step2. Test valve and piping

Test whether the shower valve is working properly before sealing the wall and check if there is any water leakage at the joint

Plug these two joints, running the shower system about 48 hours, and check for leaks

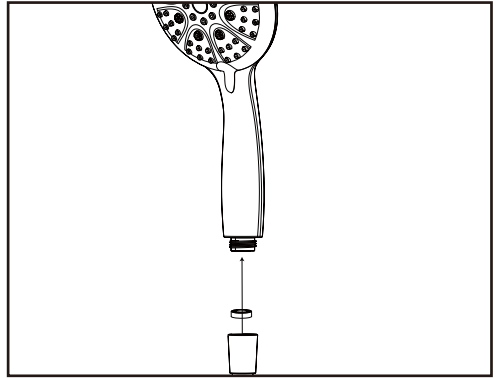
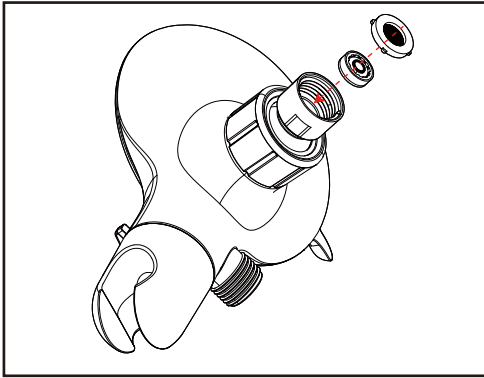


Step 3: Install shower arm and shower head

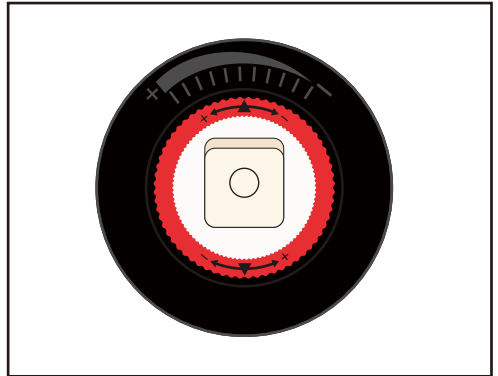


Tips:

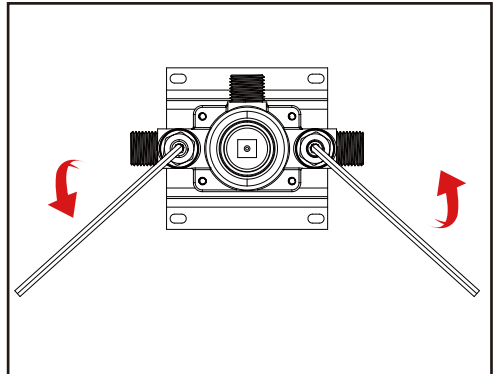
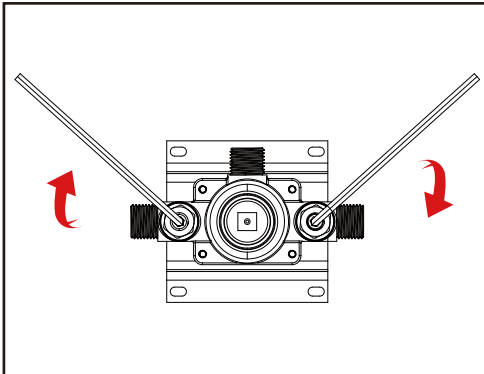
01. Each shower system is equipped with 2 water-saving tablets. One can be used for the bottom of the hand-held shower, and one can be used for the bottom of the shower head (remove the O-type filter gasket first).

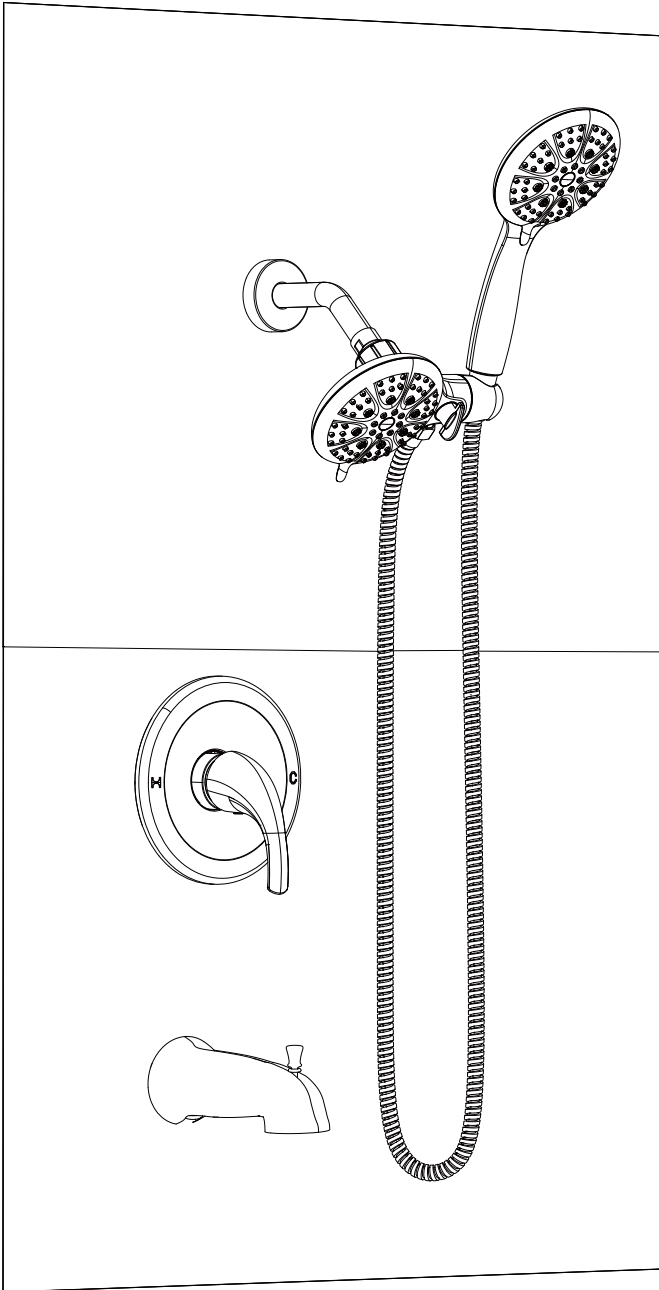


02. Adjust the red collar to limit the water flow and temperature.

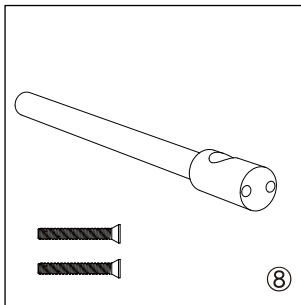
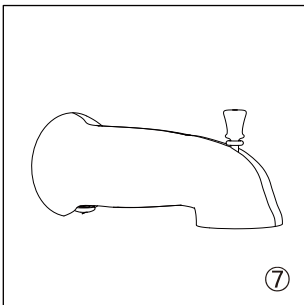
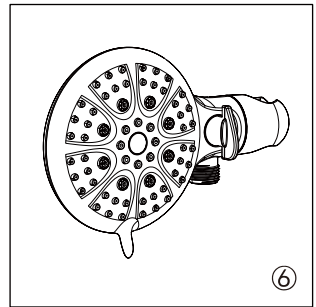
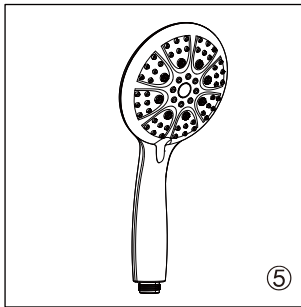
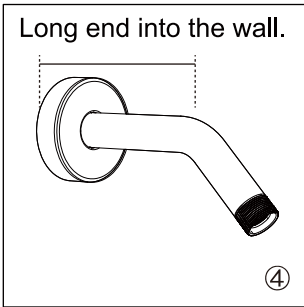
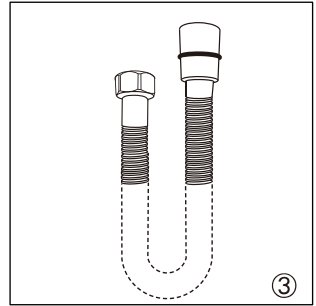
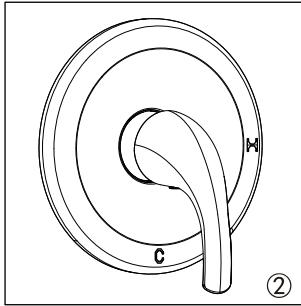
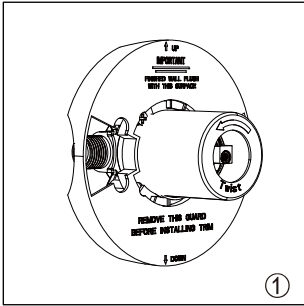


03. Turn clockwise to reduce water pressure until it closes. Unscrew the water pressure will increase.





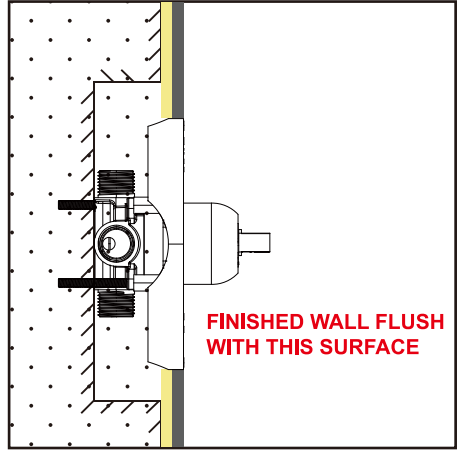
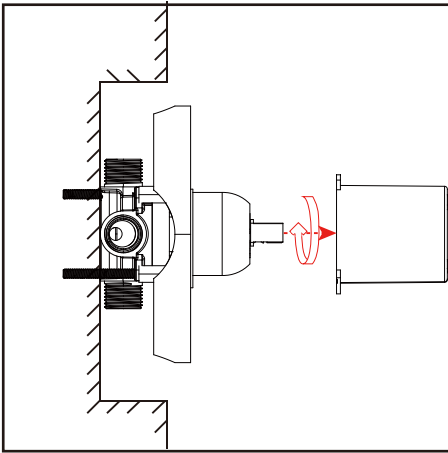
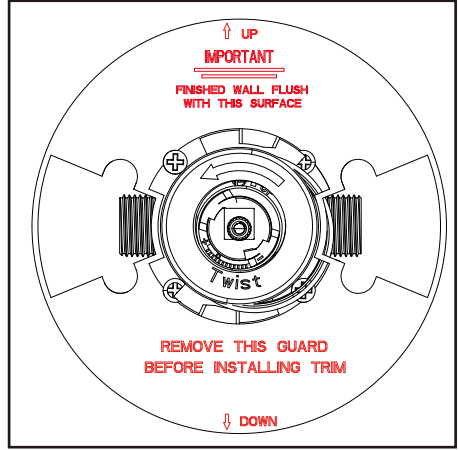
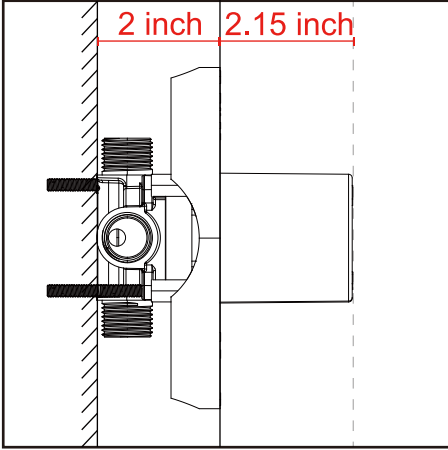
Essential accessories list



WARNING:

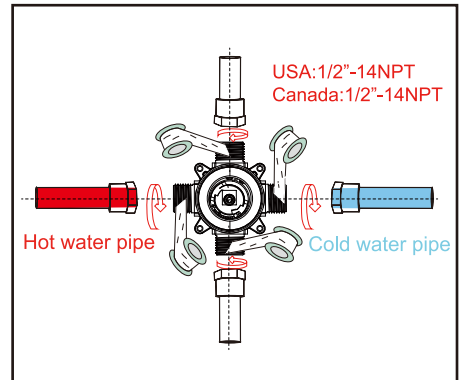
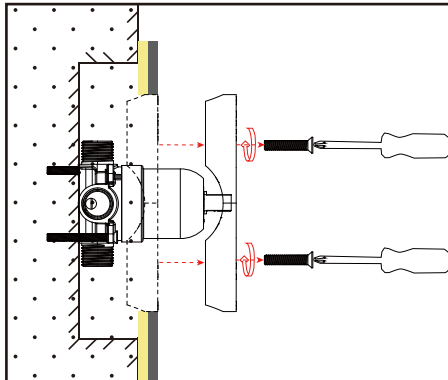
Choking hazard. Keep all small parts and plastic bags out of the reach of children and pets.

Step 1: Install Shower Valve



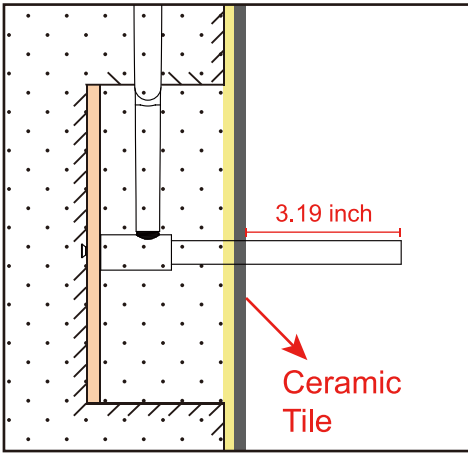
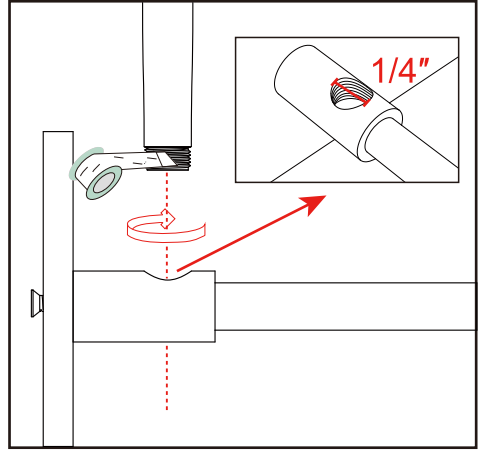
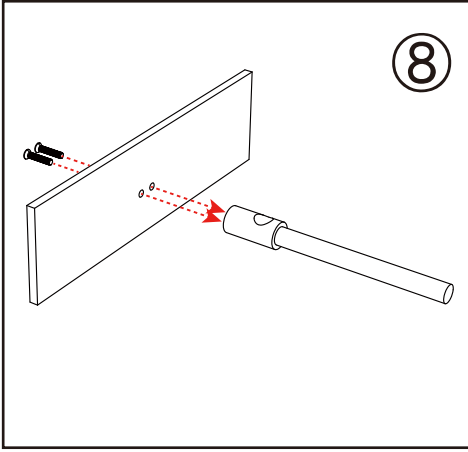
Before tiling

Finished Tiles

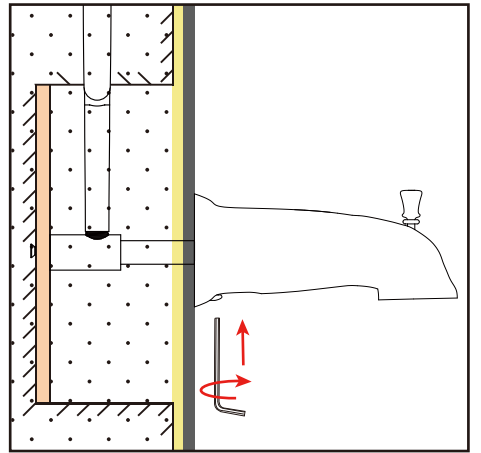


Finished Tiles

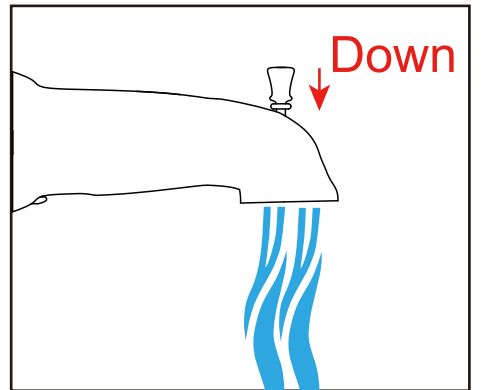
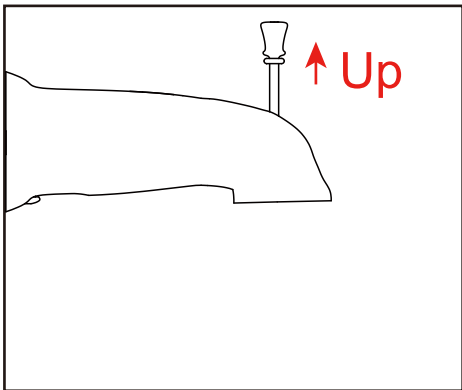
Step 2: Install Tub Spout Adapter



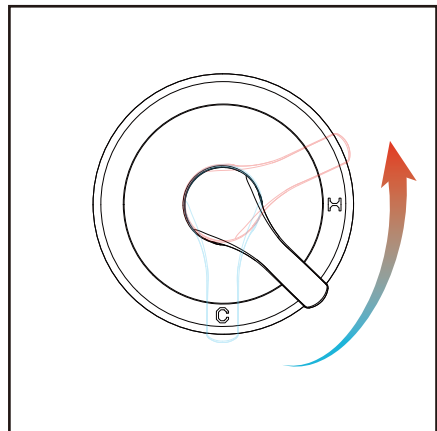
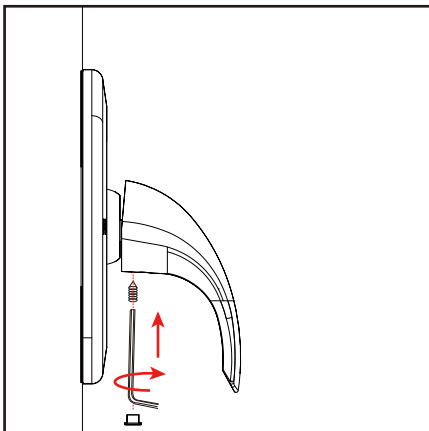
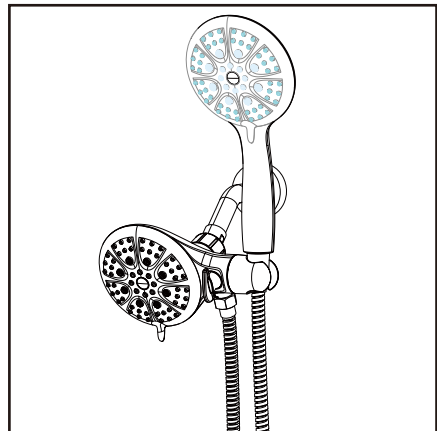
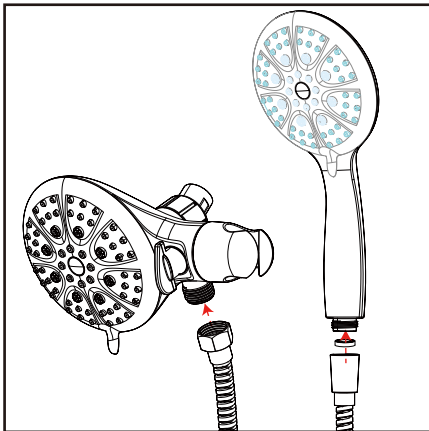
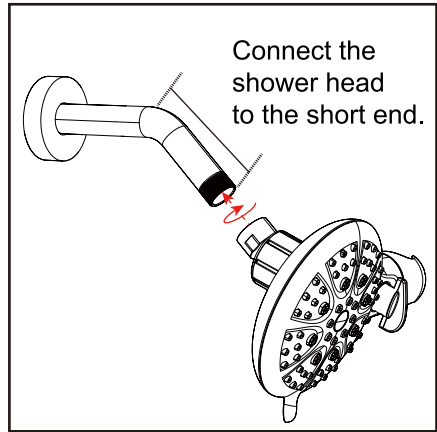
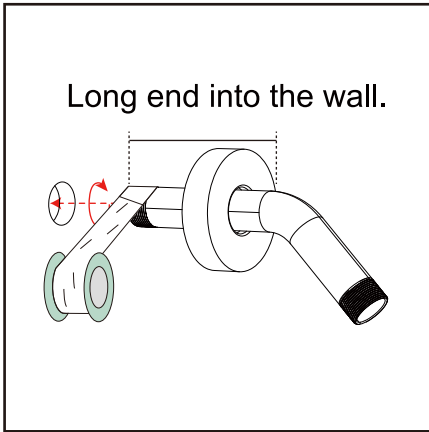
Finished Tiles



Finished Tiles

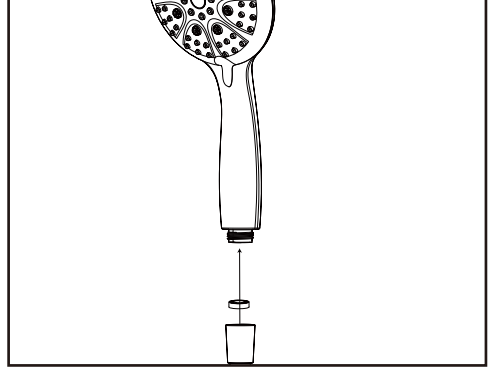
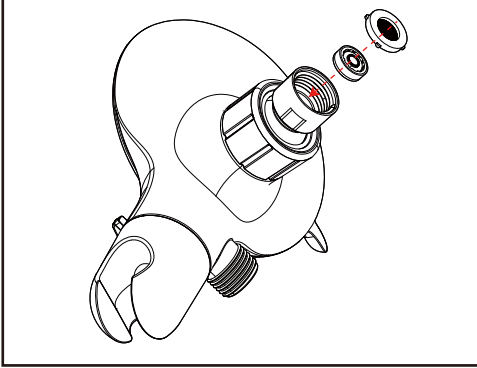


Step 4: Install shower arm and shower head

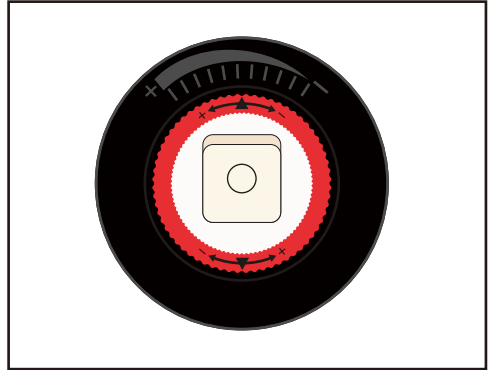


Tips:

01. Each shower system is equipped with 2 water-saving tablets. One can be used for the bottom of the hand-held shower, and one can be used for the bottom of the shower head (remove the O-type filter gasket first).



02. Adjust the red collar to limit the water flow and temperature.



Customer	
Retail Store/Install Store	
Purchase Date	
Warranty Duration	5 years warranty since the purchase date.

- 1.If the above contents are not complete, the warranty will be considered invalid, please confirm the above contents when you purchase.
- 2.The free guarantee repairs are limited to the listed items on the warranty.
- 3.Within warranty period, if any technical faults occur, customer should present warranty and purchase invoice to retail shop or install for repair request.

Guarantee Repairs Claims

- 1.Within warranty period , SR SUN RISE SANITARY is responsible for repairing any defective product for free.
- 2.Please contact seller by email with this warranty and purchase invoice when the product needs guarantee repairs within warranty period.
- 3.Within warranty period, the listed situations below need to pay for replacement.
 - 3.1 The malfunction and damage caused by improper use and repair or reconstruct unauthorized. (forbid any throw, beat behavior)
 - 3.2The malfunction and damage caused by not refer to instruction during installation.(forbid any unprofessional plumber install this product)
 - 3.3The malfunction and damage caused by removing after installation or other factors.
 - 3.4 The malfunction and damage caused by application beyond the scope of usage.
 - 3.5 The damage caused by sands or dirty hands.
 - 3.6 The damage caused by daily improper maintenance and rust on finished and so on.
 - 3.7 The malfunction and damage caused by fires, earthquakes, floods, lightning and natural disasters, pollution, harmful gas, salt and abnormal voltage and other reasons.
 - 3.8The occasions which purchase invoices are not presented.
- 4.The recommend water temperature of hand shower and rain shower head is $\leq 42^{\circ}\text{C}$ with water pressure 0.1-0.3 Mpa. The highest temperature not suggest beyond 70°C with water pressure 0.05-0.5 Mpa. So any product equipped with shower, please keep it away from the heater to avoid potential risk.
5. This limited warranty applies only to the original purchaser and hotel business. It expressly excludes labor charges, removal charges, installation, or other incidental or consequential costs. Any inappropriate application will void the warranty.
- 6.This warranty can no be replaced if missed, please keep safe.
- 7.After-sales service email: mikechen@eyakult.com

Clean and maintain product

How to clean shower head nozzles

1. Just rub the nozzles with your finger or a toothbrush to loosen any deposits, and then run hot water for a few minutes
2. Put the showerhead into a pot. Consider using a smaller container that just about fits the showerhead; this way, you will use less vinegar. You can also use a small bucket or plastic bin.

Fill the pot with enough white vinegar to cover the showerhead. The acids in the vinegar will help dissolve the white mineral deposits on the showerhead.

Let the showerhead soak in the vinegar for 30 minutes. The more soiled the showerhead is, the longer you will have to leave it in the vinegar.

Maintain Chrome and Brushed nickel finished product

1. To clean the products all you need is a high quality microfiber cloth.
2. Apply a high quality chrome cleaner to a clean cotton cloth, and wipe over the chrome. Leave as per product instructions, and then rinse with warm water. Gently remove any product residue using a dry chamois or paper towel.
3. How to Clean Chrome: Homemade Solutions
In addition to professional products, homespun solutions also have their place when breathing new life into dull chrome. Try this shortcut to achieving chrome cleaning nirvana:

Detergent and warm water! Submerge chrome-plated objects including pots and pans in a sink full of warm water. Add a half-cup of a high quality washing up detergent (Persil washing up liquid is good) and rub gently with a soft cotton cloth to avoid scratching the chrome. Use a scented detergent to leave kitchenware smelling fresh, as well as spotless.