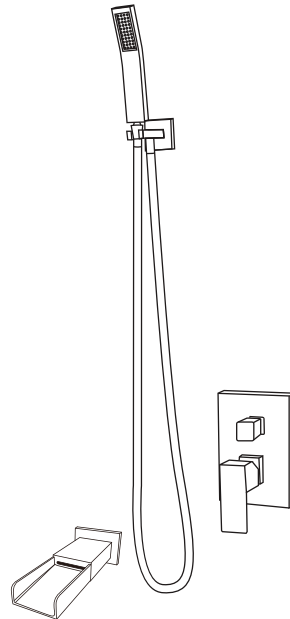
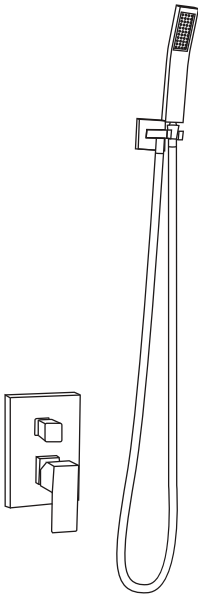
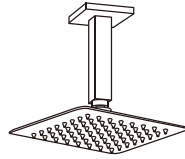
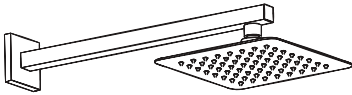




Installation Manual



Please do not hesitate to contact us with your questions, concerns and/or problems, we're here to help. We will replace or repair your product free of charge.

Contact US: mikechen@eyakult.com (USA)
zhongly@eyakult.com (Canada)

Catalog

1.About SR SUN RISE SANITARY.....	01
2. 2-Function Shower System (EN).....	02
3. 3-Function Shower System (EN).....	15
4.Warranty.....	30
5. Clean and Maintain Product.....	31

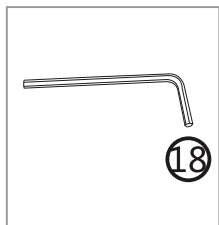
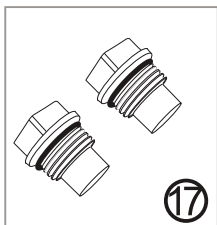
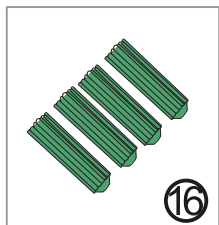
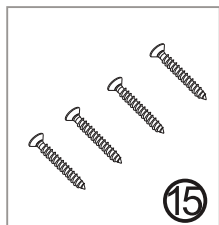
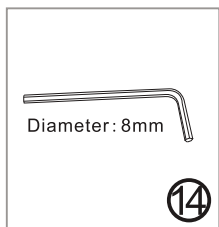
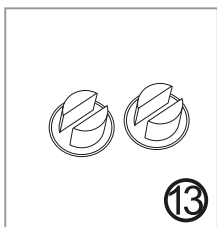
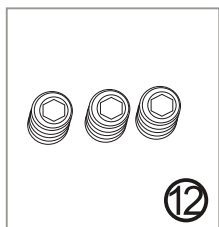
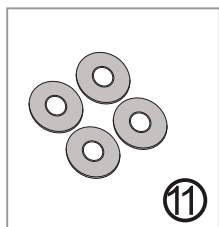
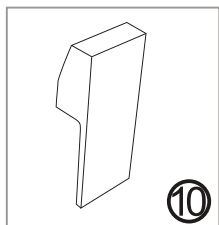
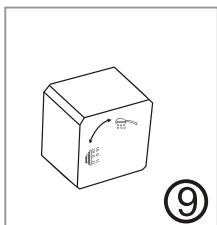
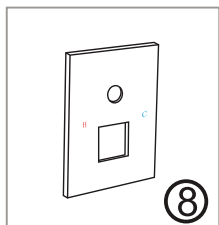
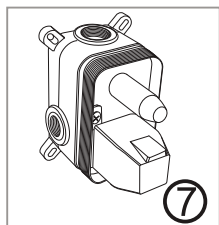
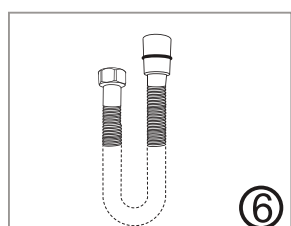
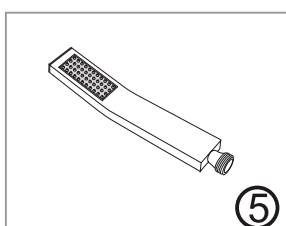
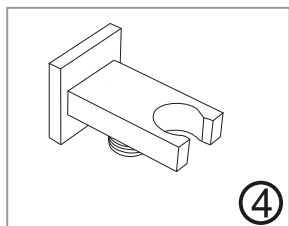
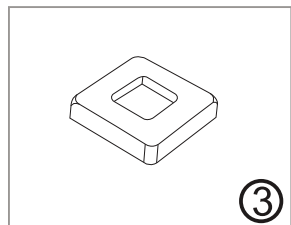
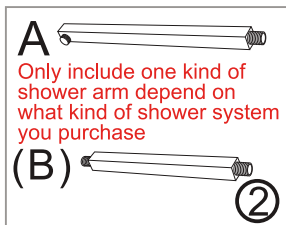
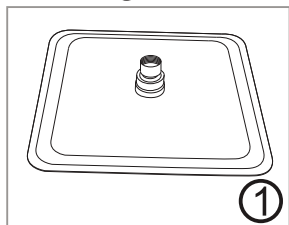
SR SUN RISE

Founded in 2005, SR SUN RISE has since then marked its own path to be among the top brands for high-end bathroom equipment. Over the years, we have striven to uphold our commitment in the designing and production of high-quality products, taking into account ergonomics, convenience, style and customer needs to provide the best bathroom solutions, with the goal of improving the quality of everyday home life.

Our products are manufactured according to strict guidelines to ensure consumer health, safety and comfort as well as environmental conservation. Our products can now be found in private homes and commercial buildings around the globe.



Package list



WARNING: Choking hazard. Please keep all small parts and plastic bags out of the reach of children.

(The depth is for reference only, please according to the actual thickness of tiles to decide the installation depth)

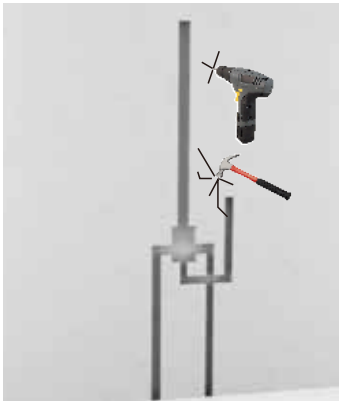


(Concrete wall)



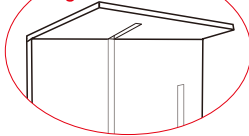
(Wood wall)

A: Wall Mounted Installation



Design water pipe slot

B: Ceiling Mounted Installation



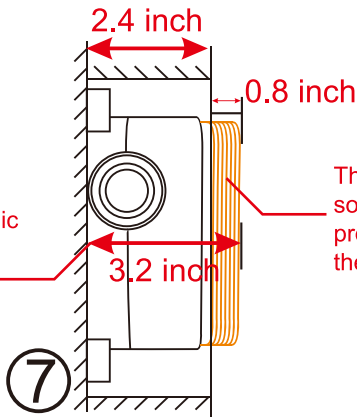
Recommend using copper drop ear pipe elbow(1/2"-14 NPT)



2.2-2.4 inch

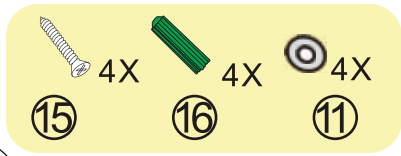
Design water pipe slot

Including the thickness of ceramic tile is less than or equal to the thickness of valve (3.2 inches), so the thickness of tile must be calculated before installation.



This part can be cut , so don't worry about the prominent edge after sealing the wall.

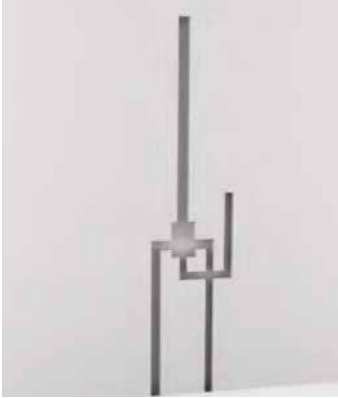
Determine the position of the valve



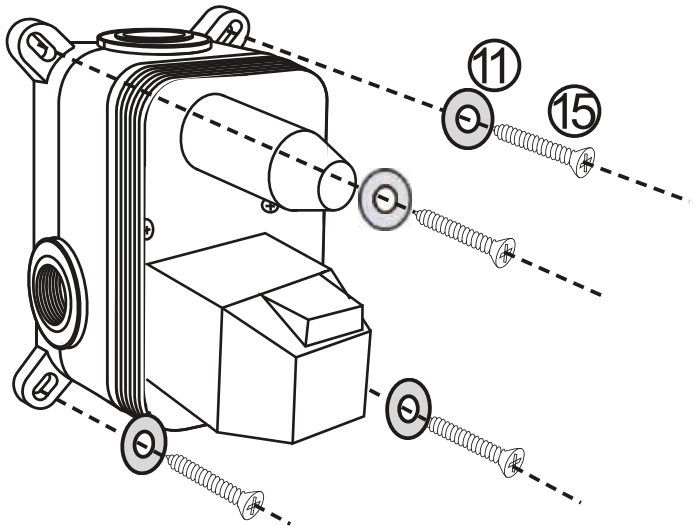
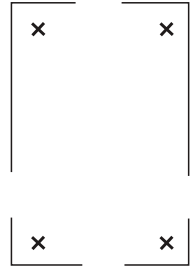
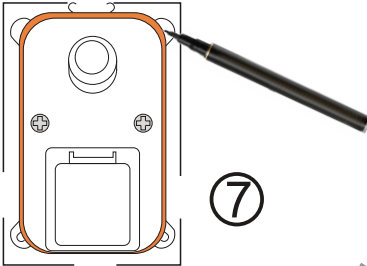
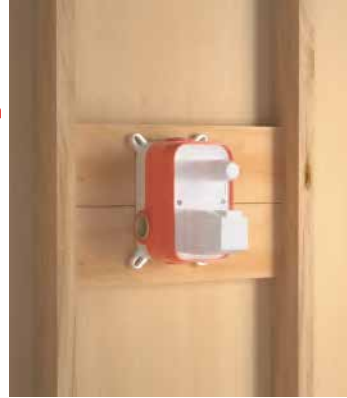
A: Wall Mounted Installation



Recommend using copper drop ear pipe elbow(1/2"-14 NPT)

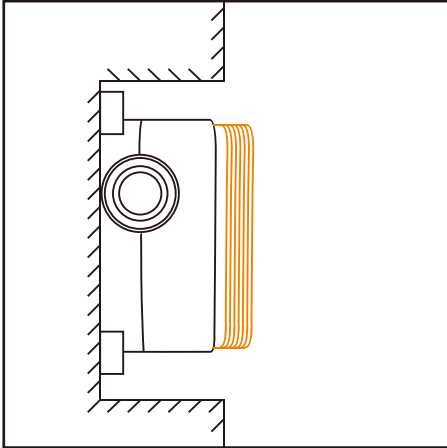


B: Ceiling Mounted Installation

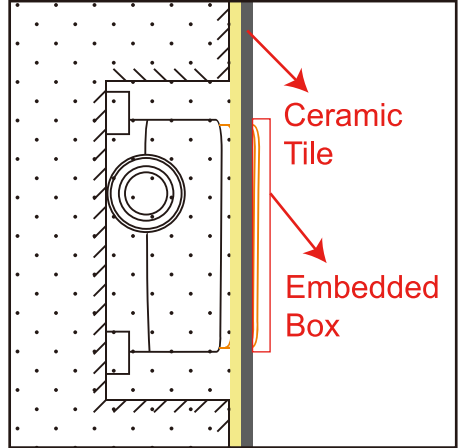


Important Note

Before tiling



Finished Wall



Valve installed too deep-
incorrect installation

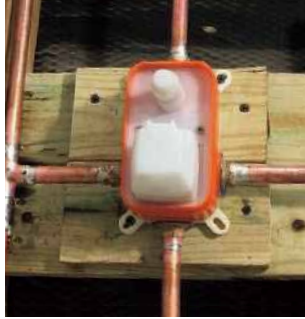


Correct installation

2. Clean the insides of all water pipes and fittings of dirt and other impurities. (Be suitable for Pex pipe, Copper pipe and PVC pipe)



Pex pipe



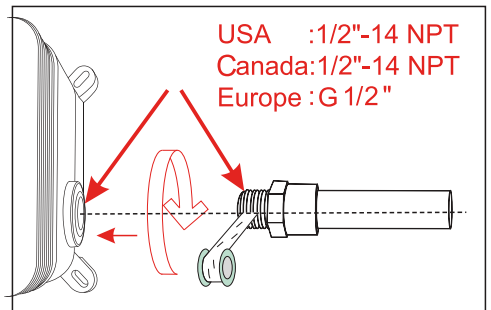
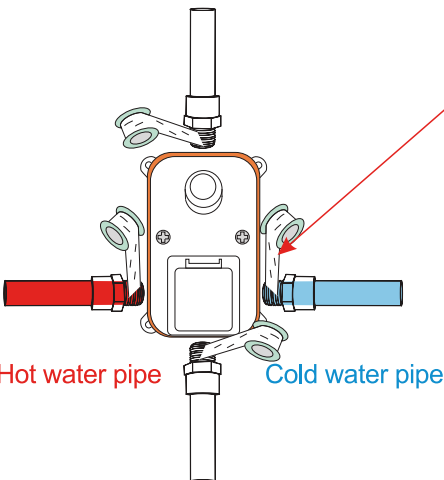
Copper pipe



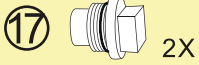
pvc pipe



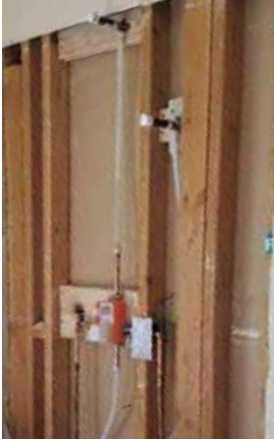
Wrap enough teflon tape



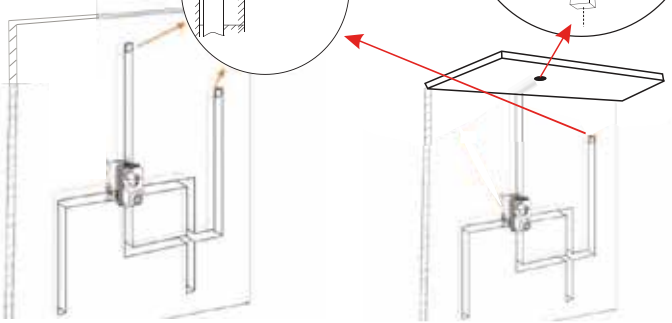
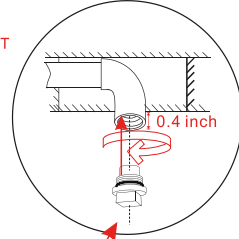
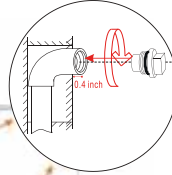
USA :1/2"-14 NPT
Canada:1/2"-14 NPT
Europe : G 1/2 "



Wall Mounted /Ceiling Mounted Installation Before Tiling



Recommend using
copper drop ear pipe elbow 1/2"-14 NPT

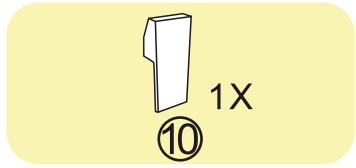


After tiling, the distance from the tile surface to the brass fittings (recessed the wall) is: ①: The shower bracket (and bathtub faucet) is 0.4 inch. ②: The shower arm is 0.2 inch.

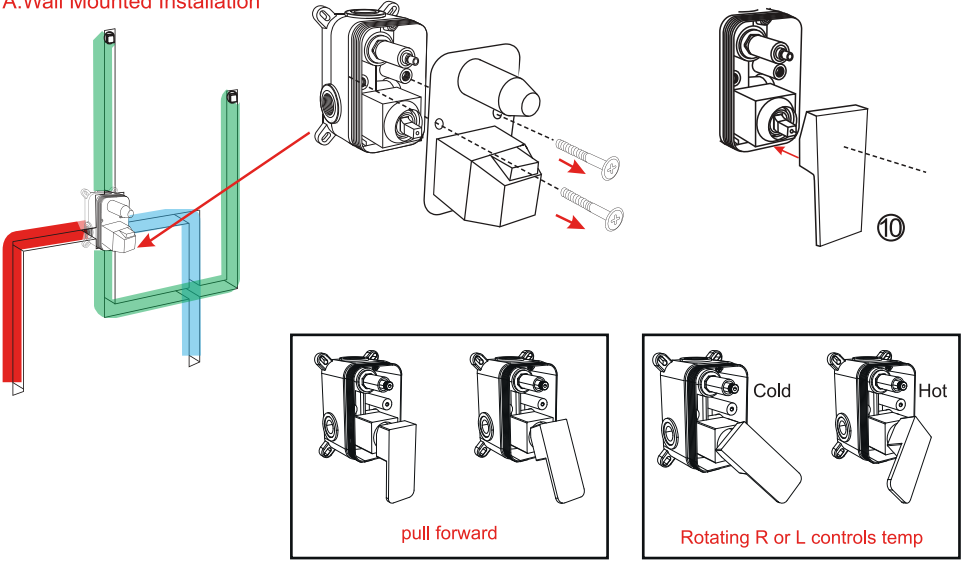


3. Check for leakage and/or blockage on both hot and cold water supplies.

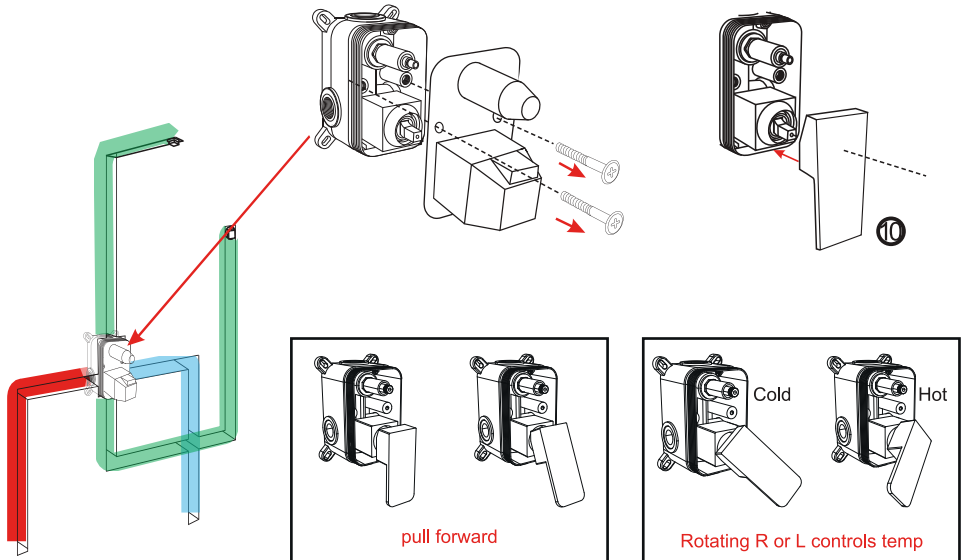
(Shower valve must be connected with hot and cold water pipe. If only connect one, there is no water comes out)



A: Wall Mounted Installation



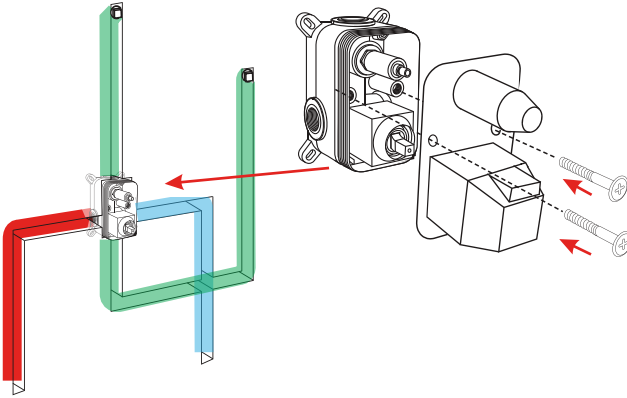
B: Ceiling Mounted Installation



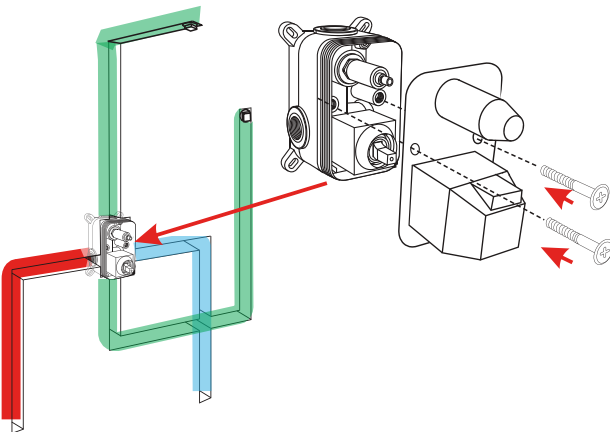
4. Tiles

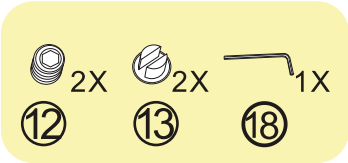
(If you tile too thick, there is not enough space to install plate⑧, knob⑨ and handle⑩)

A:Wall Mounted Installation

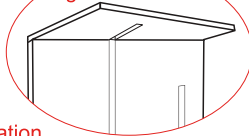


B:Ceiling Mounted Installation

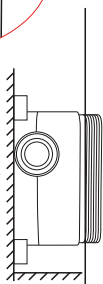




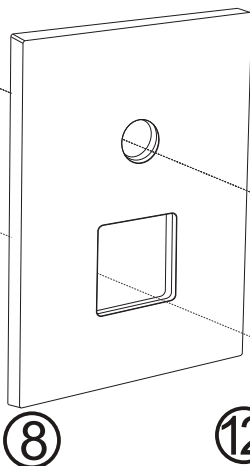
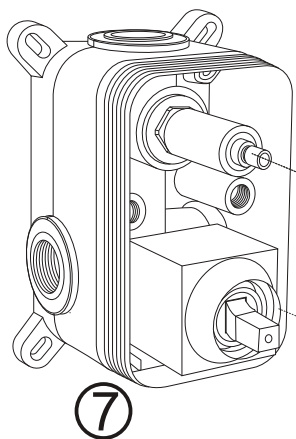
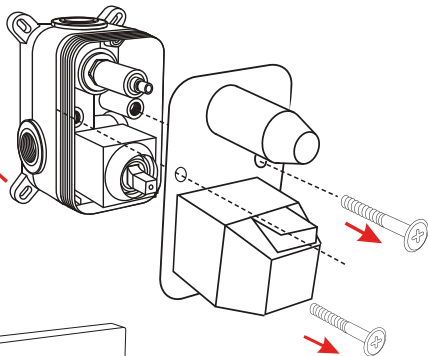
B: Ceiling Mounted Installation



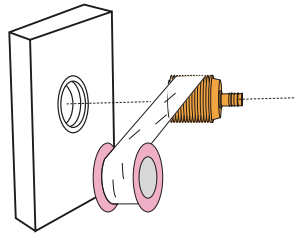
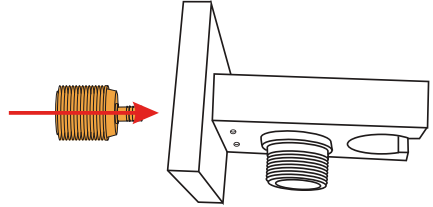
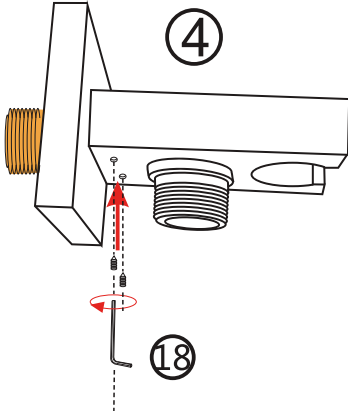
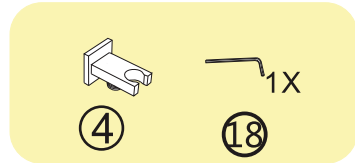
A: Wall Mounted Installation



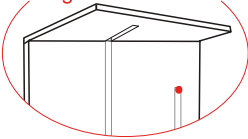
Cut away the part of the embedded box sticking out so that it is level with the wall.



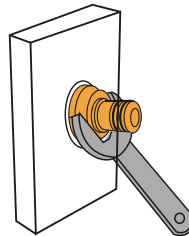
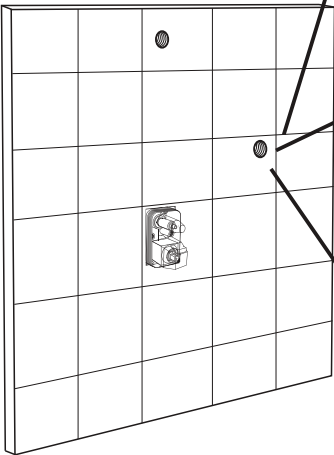
5. Install Shower bracket



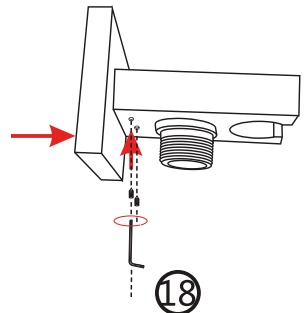
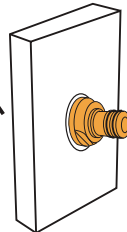
B: Ceiling Mounted Installation



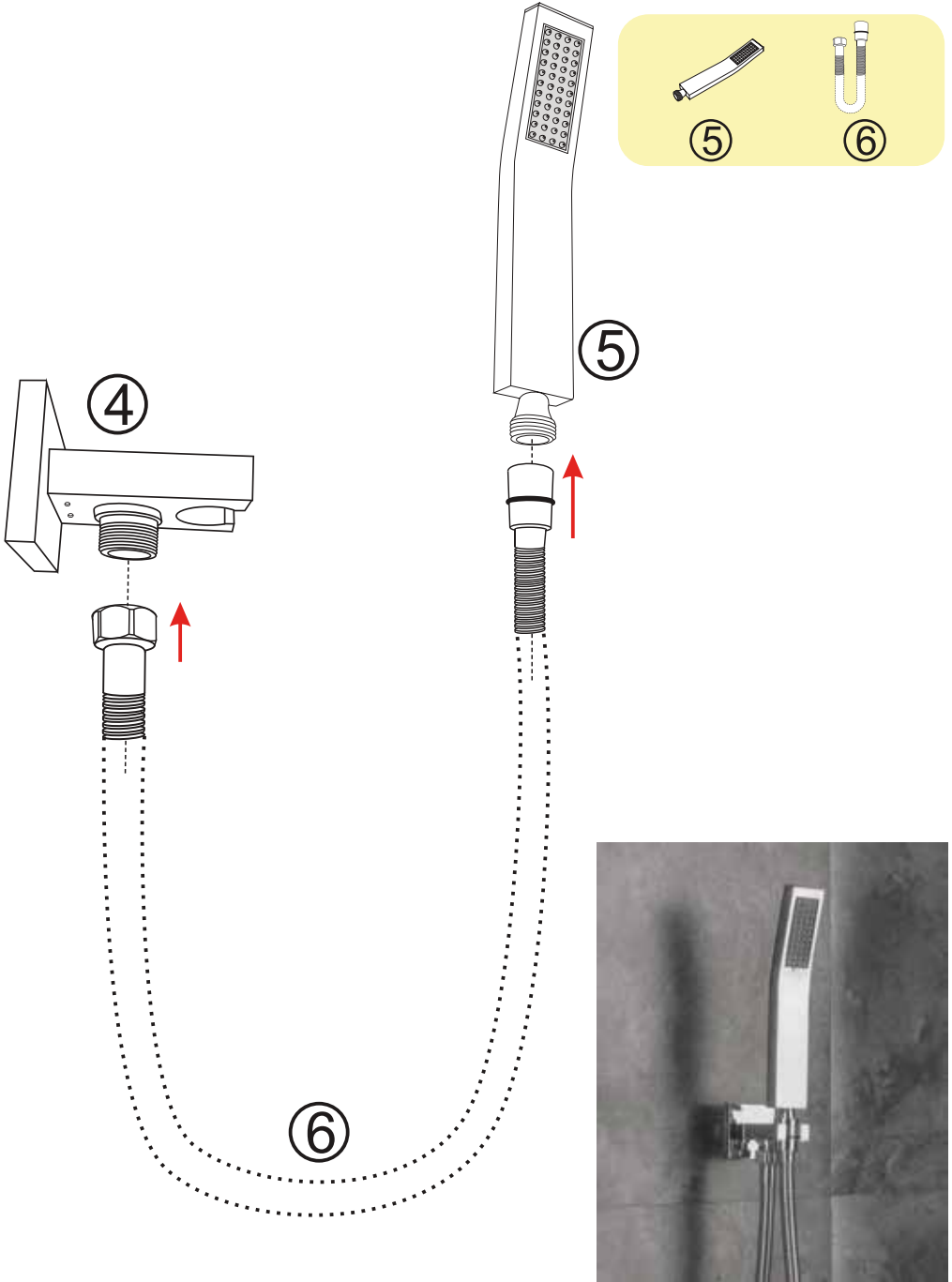
A: Wall Mounted Installation






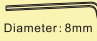
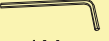
Turn the wrench gently and carefully

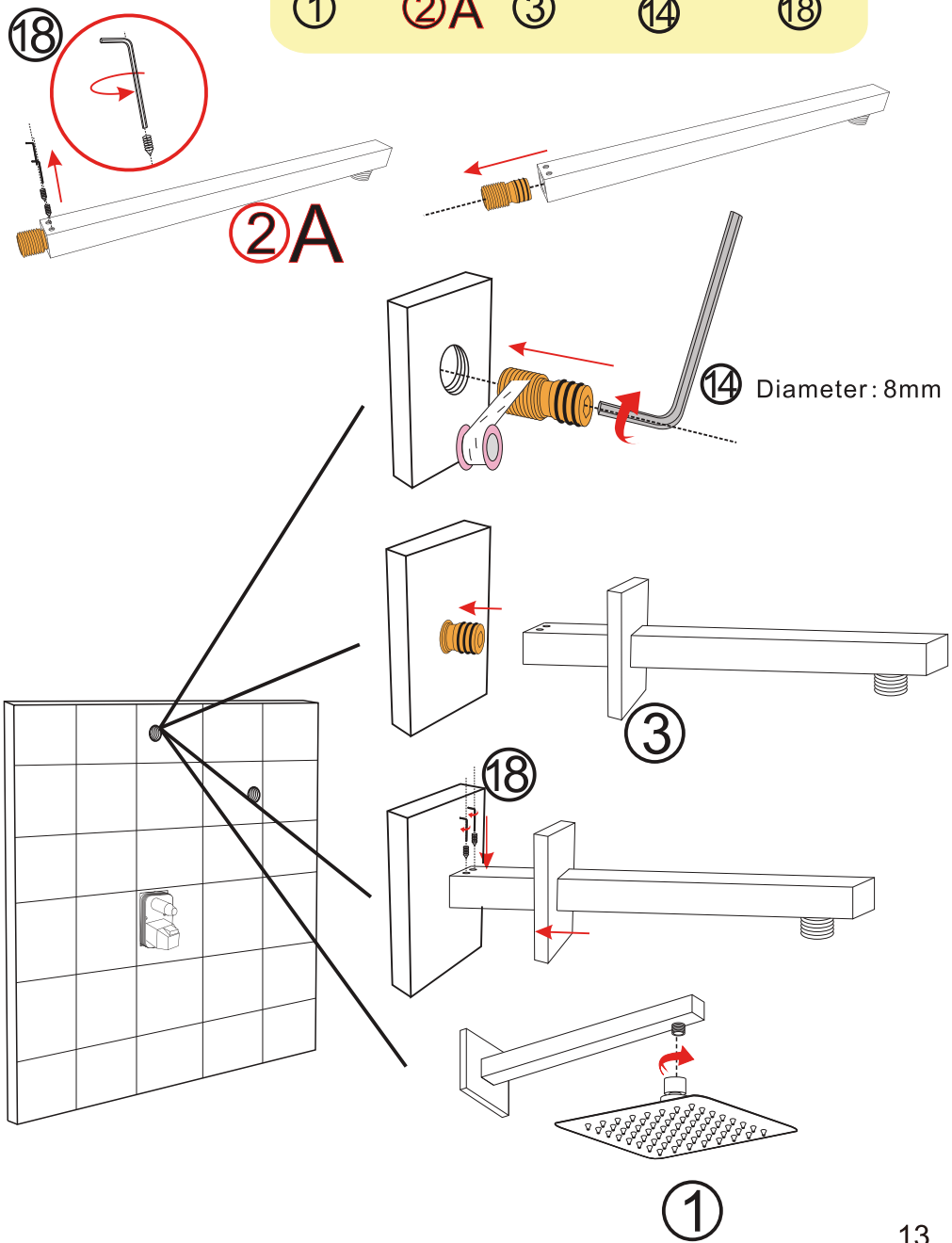


6. Install hand-held shower and hose

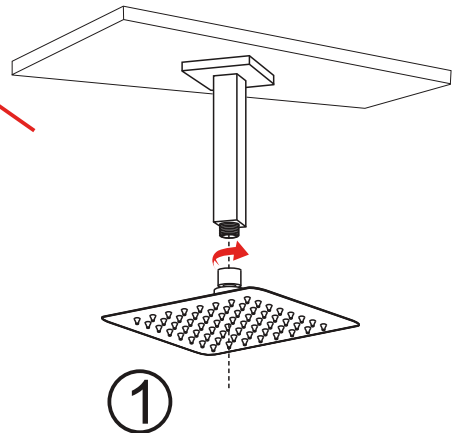
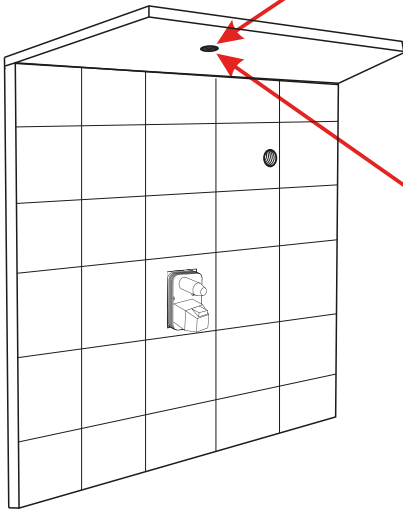
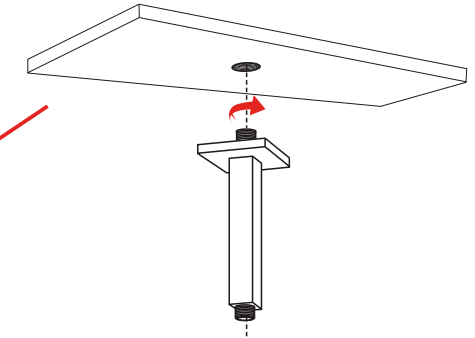
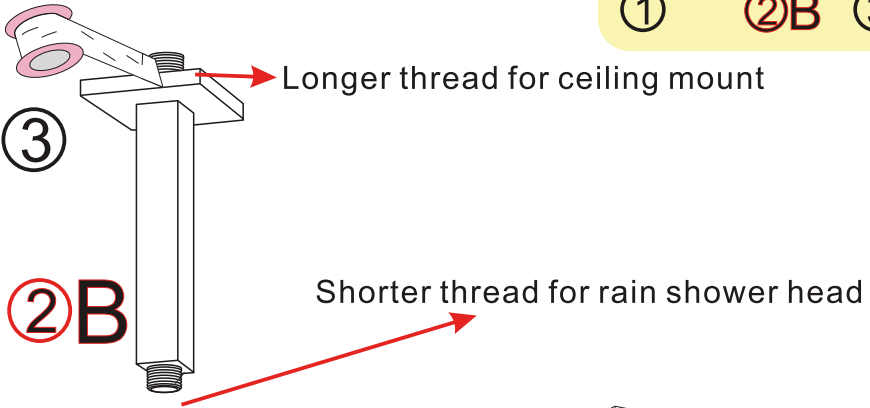
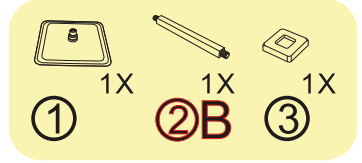


7A. Install Shower Arm and Rain Shower Head

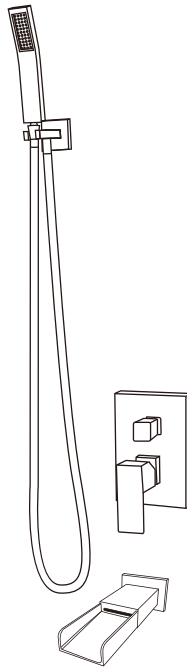
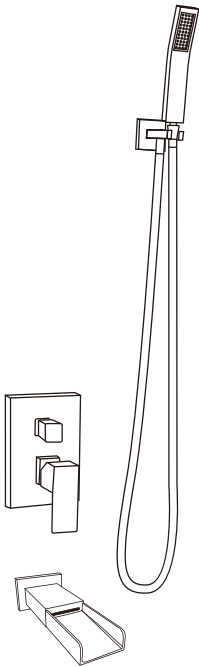
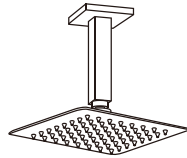
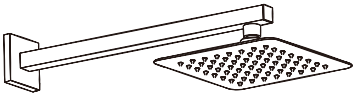
 1X
 1X
 1X
 Diameter: 8mm 1X
 1X



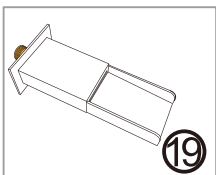
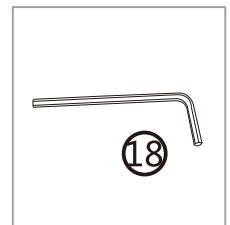
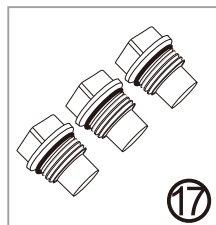
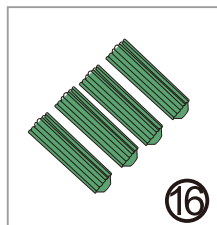
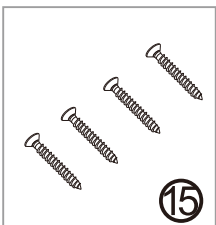
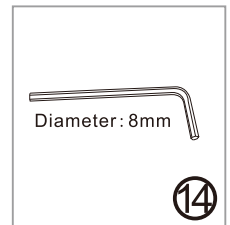
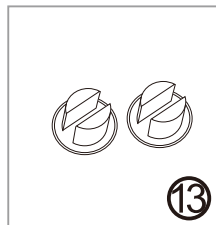
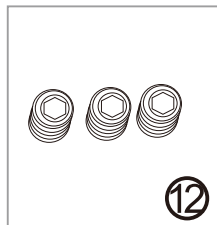
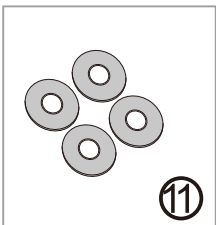
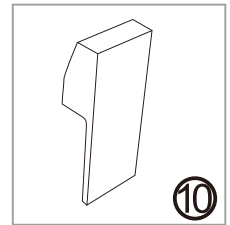
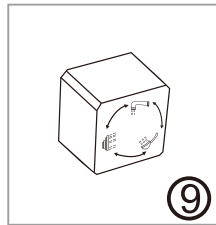
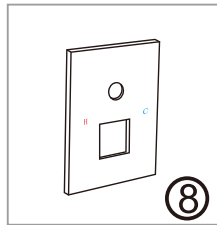
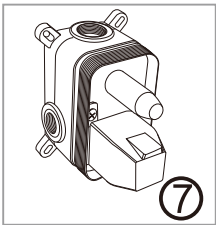
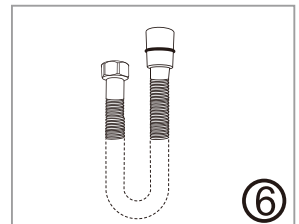
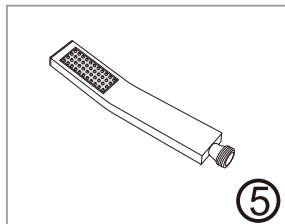
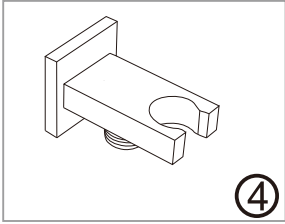
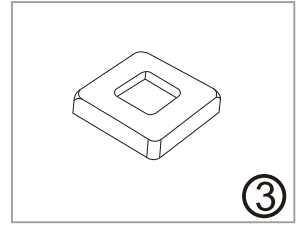
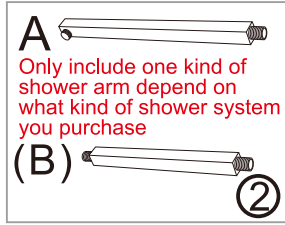
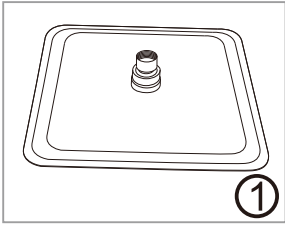
7B. Install Ceiling Shower Arm and Rain Shower Head



Installation Manual



Essential accessories list



WARNING:
Choking hazard.
Keep all small parts and plastic bags out of the reach of children.

(The depth is for reference only, please according to the actual thickness of tiles to decide the installation depth)

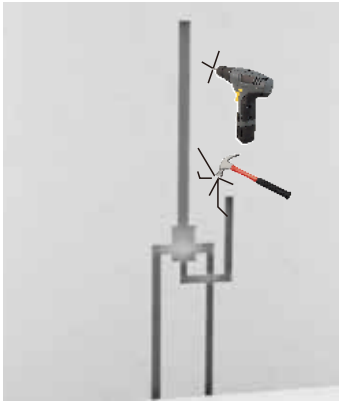


(Concrete wall)



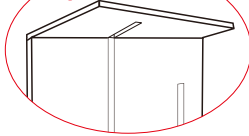
(Wood wall)

A: Wall Mounted Installation



Design water pipe slot

B: Ceiling Mounted Installation



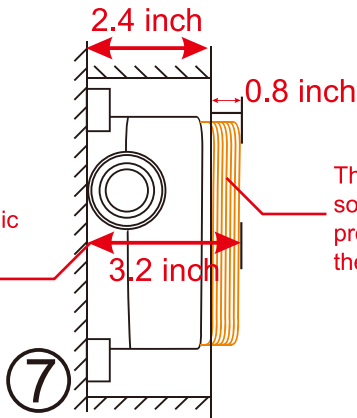
Recommend using copper drop ear pipe elbow(1/2"-14 NPT)



2.2-2.4 inch H

Design water pipe slot

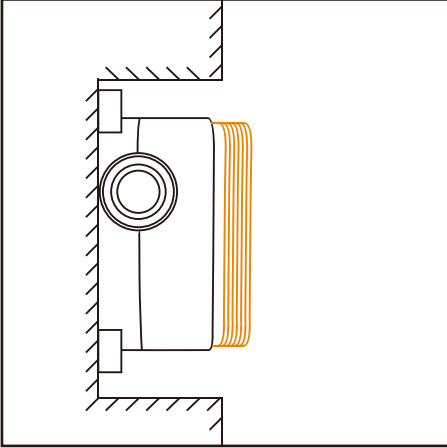
Including the thickness of ceramic tile is less than or equal to the thickness of valve (3.2 inches), so the thickness of tile must be calculated before installation.



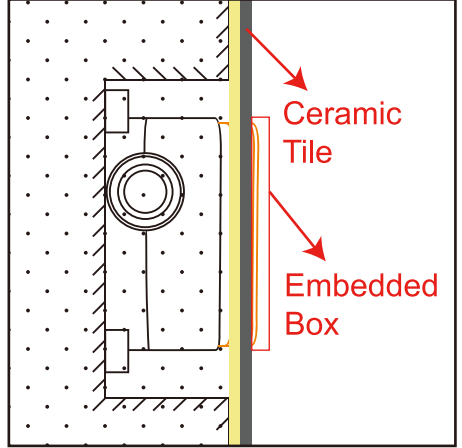
This part can be cut , so don't worry about the prominent edge after sealing the wall.

Important Note

Before tiling



Finished Wall



Valve installed too deep-
incorrect installation

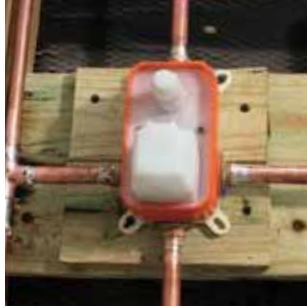


Correct installation

2.Clean the insides of all water pipes and fittings of dirt and other impurities.(Be suitable for Pex pipe, Copper pipe and PVC pipe)



Pex pipe



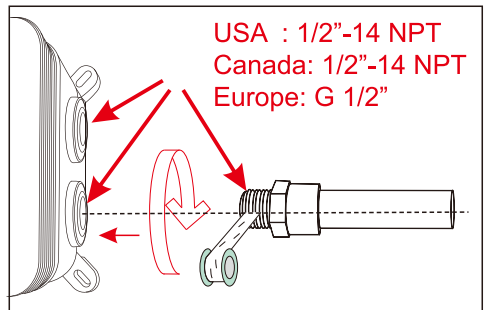
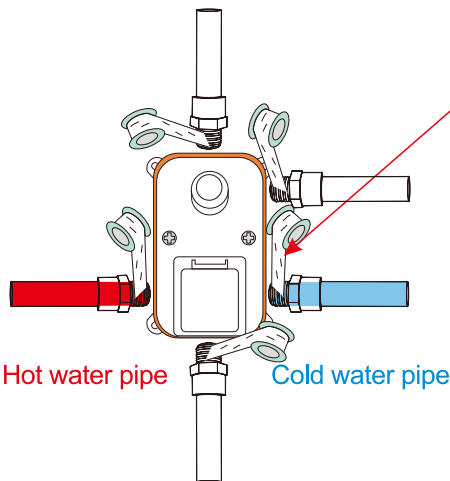
Copper pipe



pvc pipe



Wrap enough teflon tape

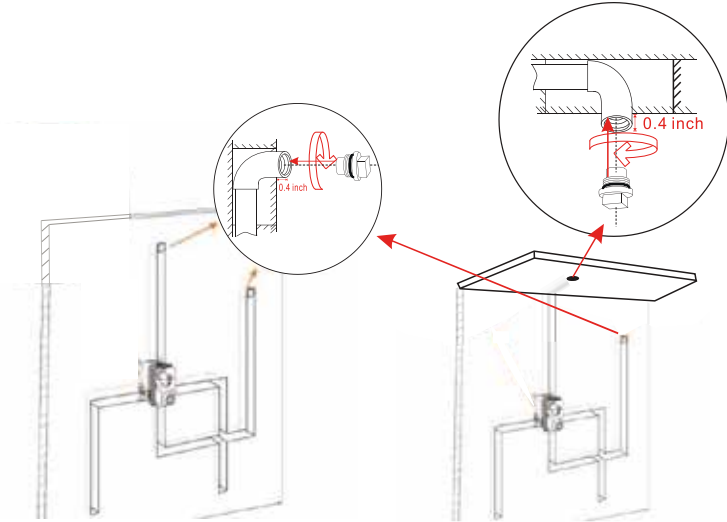
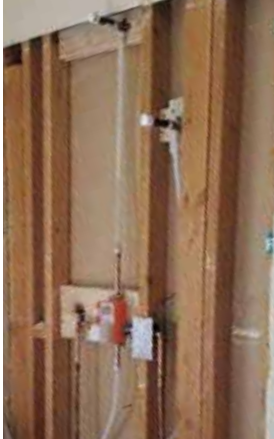


17 2X



Recommend using copper drop ear pipe elbow 1/2"-14 NPT

Wall Mounted /Ceiling Mounted Installation Before Tiling

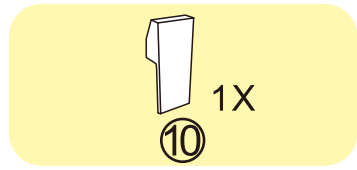


After tiling, the distance from the tile surface to the brass fittings (recessed the wall) is: ①: The shower bracket (and bathtub faucet) is 0.4 inch. ②: The shower arm is 0.2 inch.

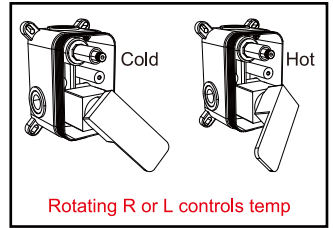
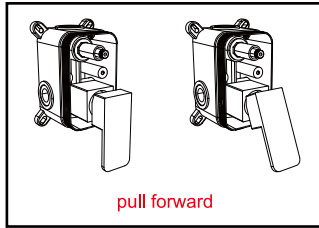
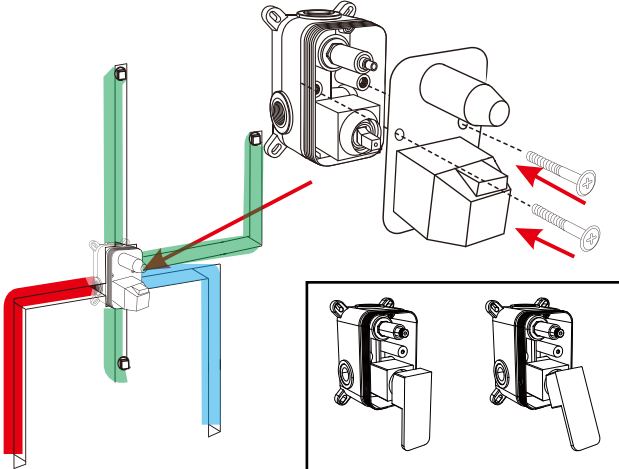


3. Check for leakage and/or blockage on both hot and cold water supplies.

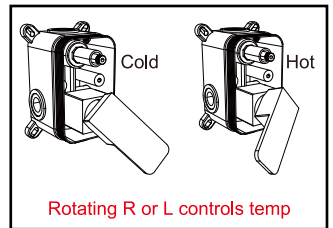
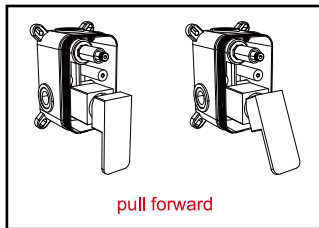
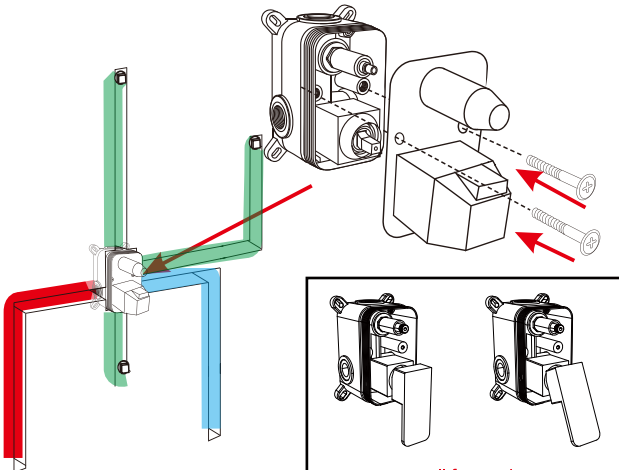
(Shower valve must be connected with hot and cold water pipe. If only connect one, there is no water comes out)



A: Wall Mounted Installation



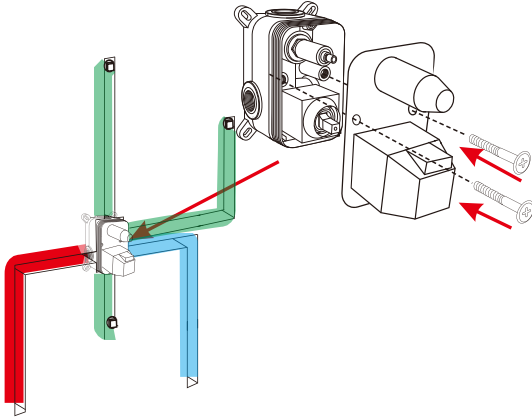
B: Ceiling Mounted Installation



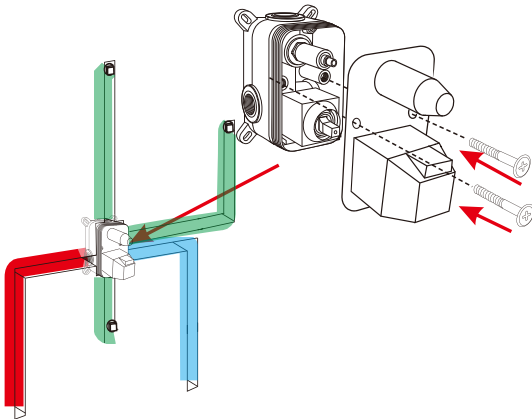
4. Tiles

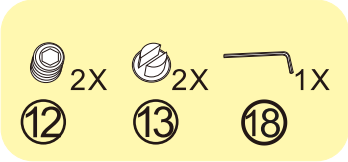
((If you tile too thick, there is no enough space to install plate⑧, knob⑨ and handle⑩)

A:Wall Mounted Installation

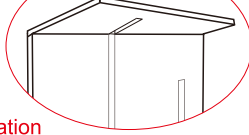


B:Ceiling Mounted Installation

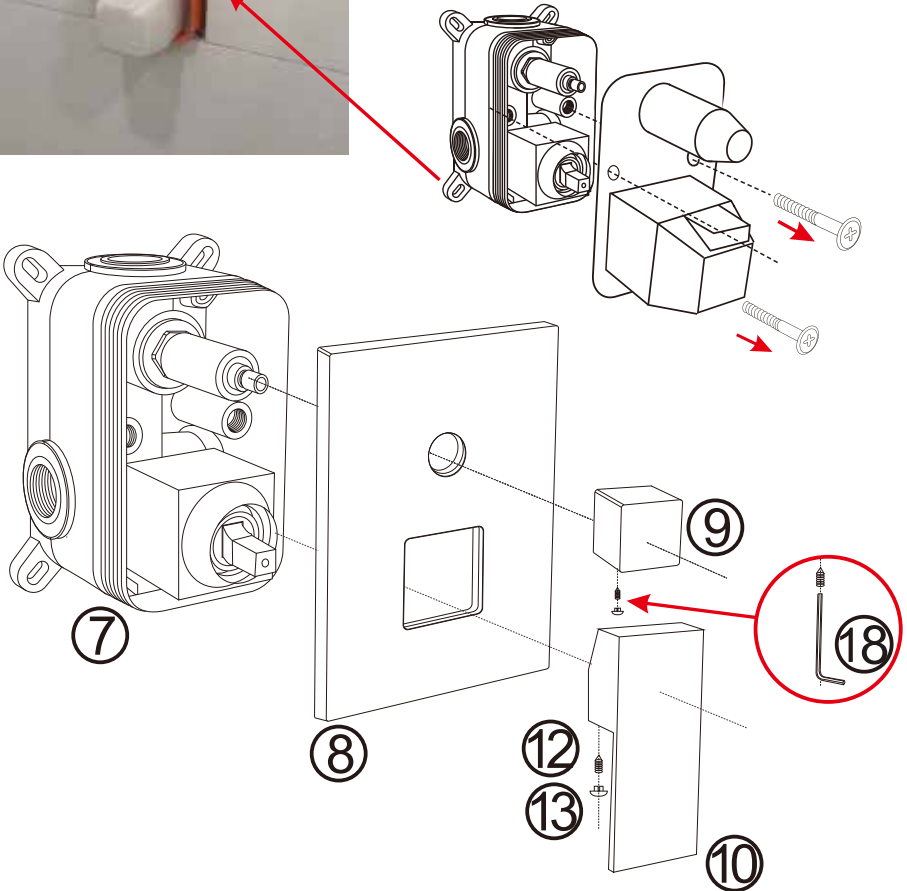
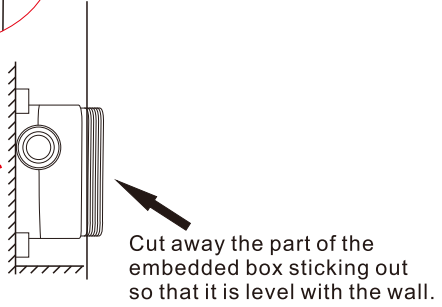
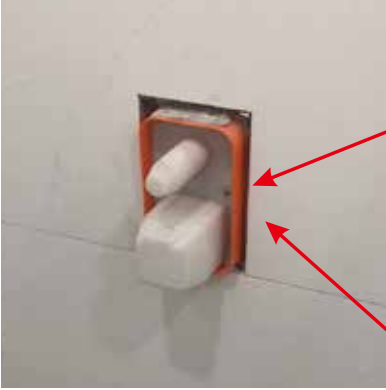




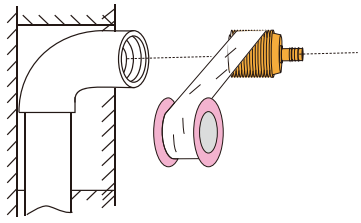
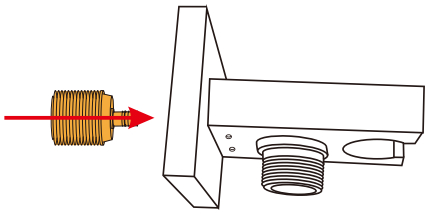
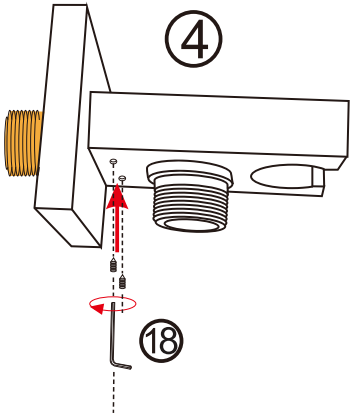
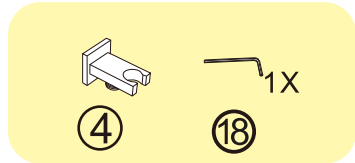
B: Ceiling Mounted Installation



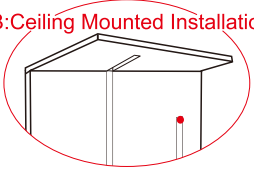
A: Wall Mounted Installation



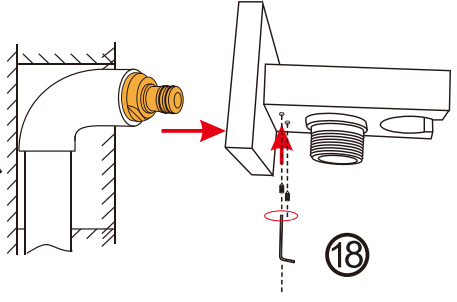
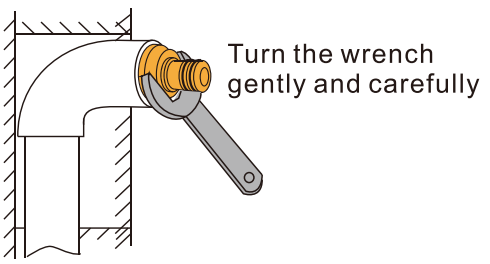
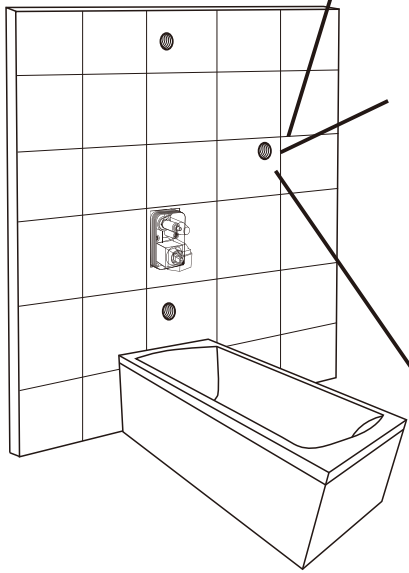
5. Install Shower bracket



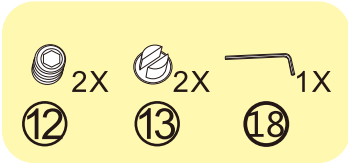
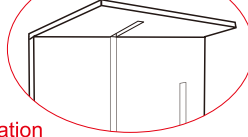
B: Ceiling Mounted Installation



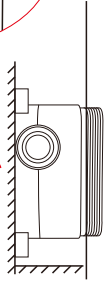
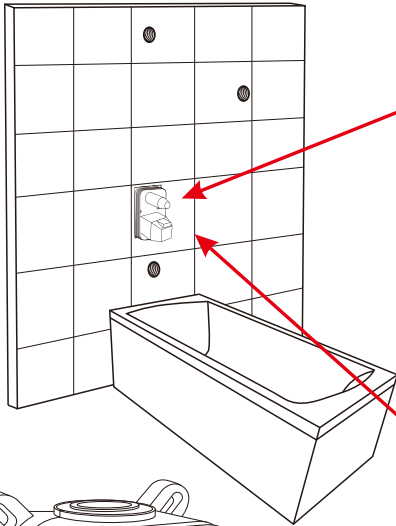
A: Wall Mounted Installation



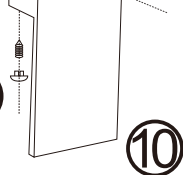
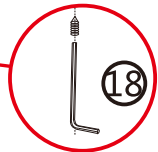
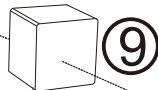
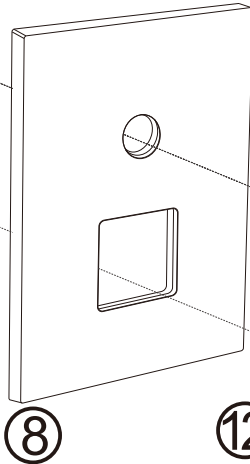
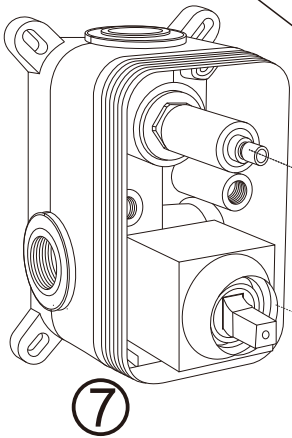
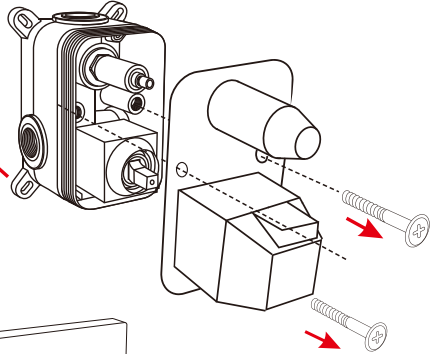
B: Ceiling Mounted Installation



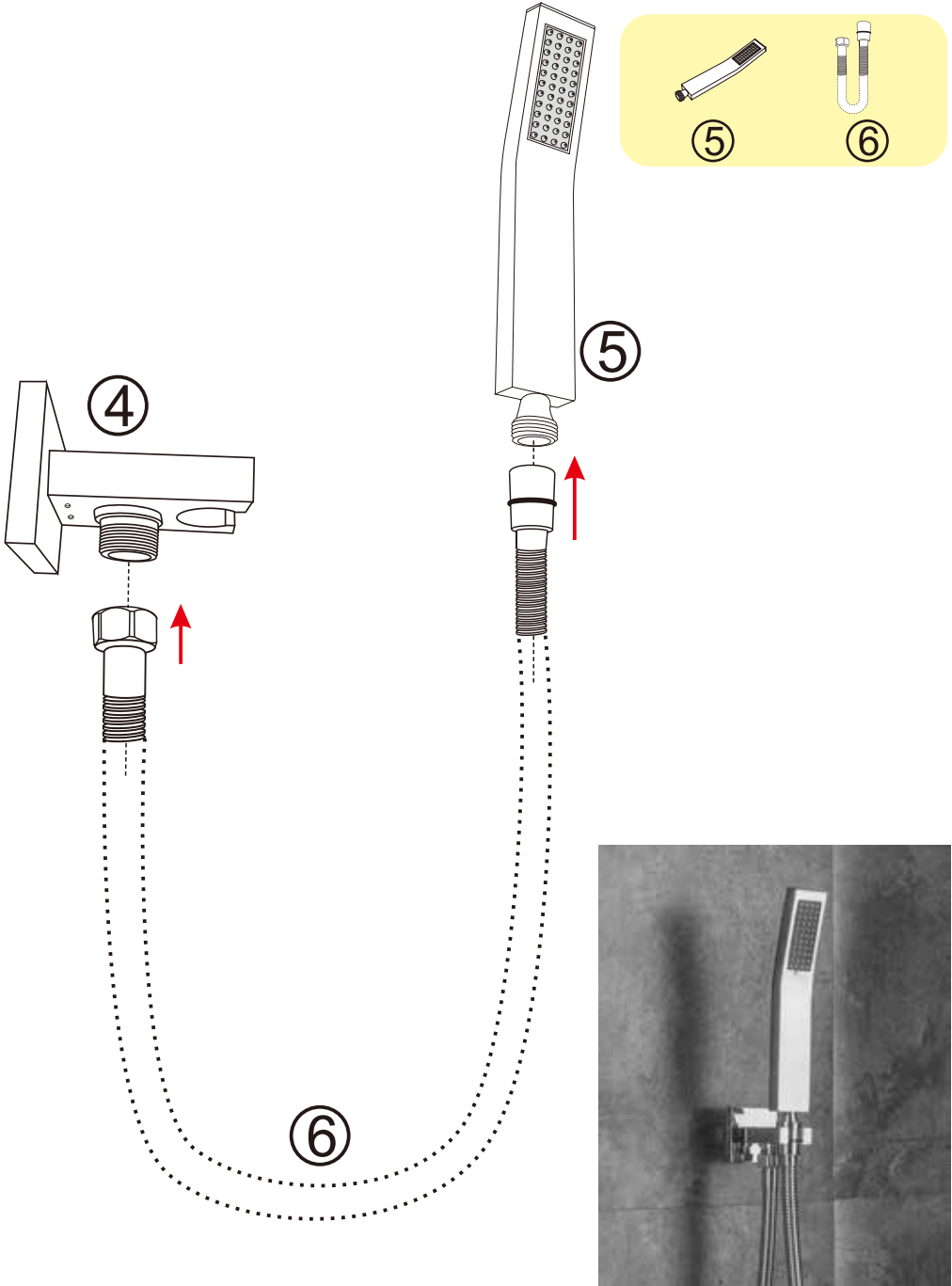
A: Wall Mounted Installation

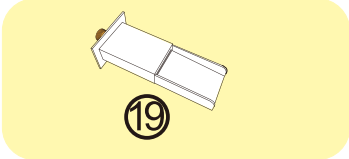


Cut away the part of the embedded box sticking out so that it is level with the wall.



6. Install hand-held shower and hose

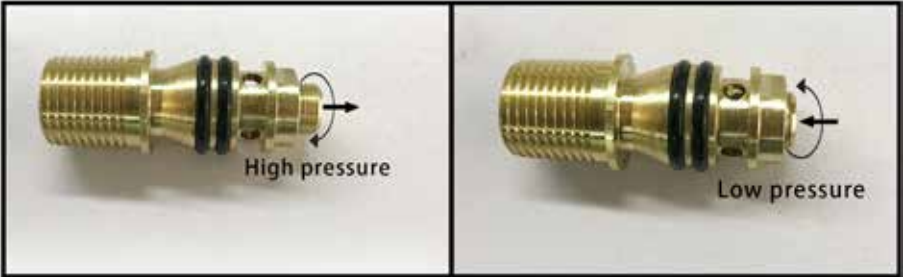




Free Water Pressure Adjustment

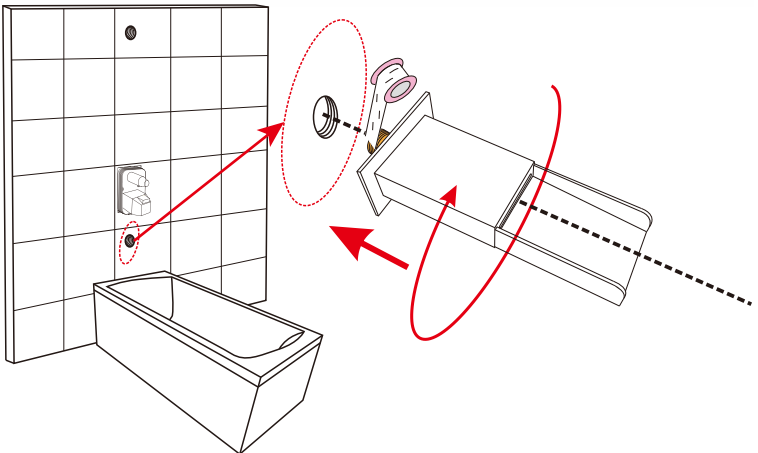


Adjust the adapter to change the water pressure.

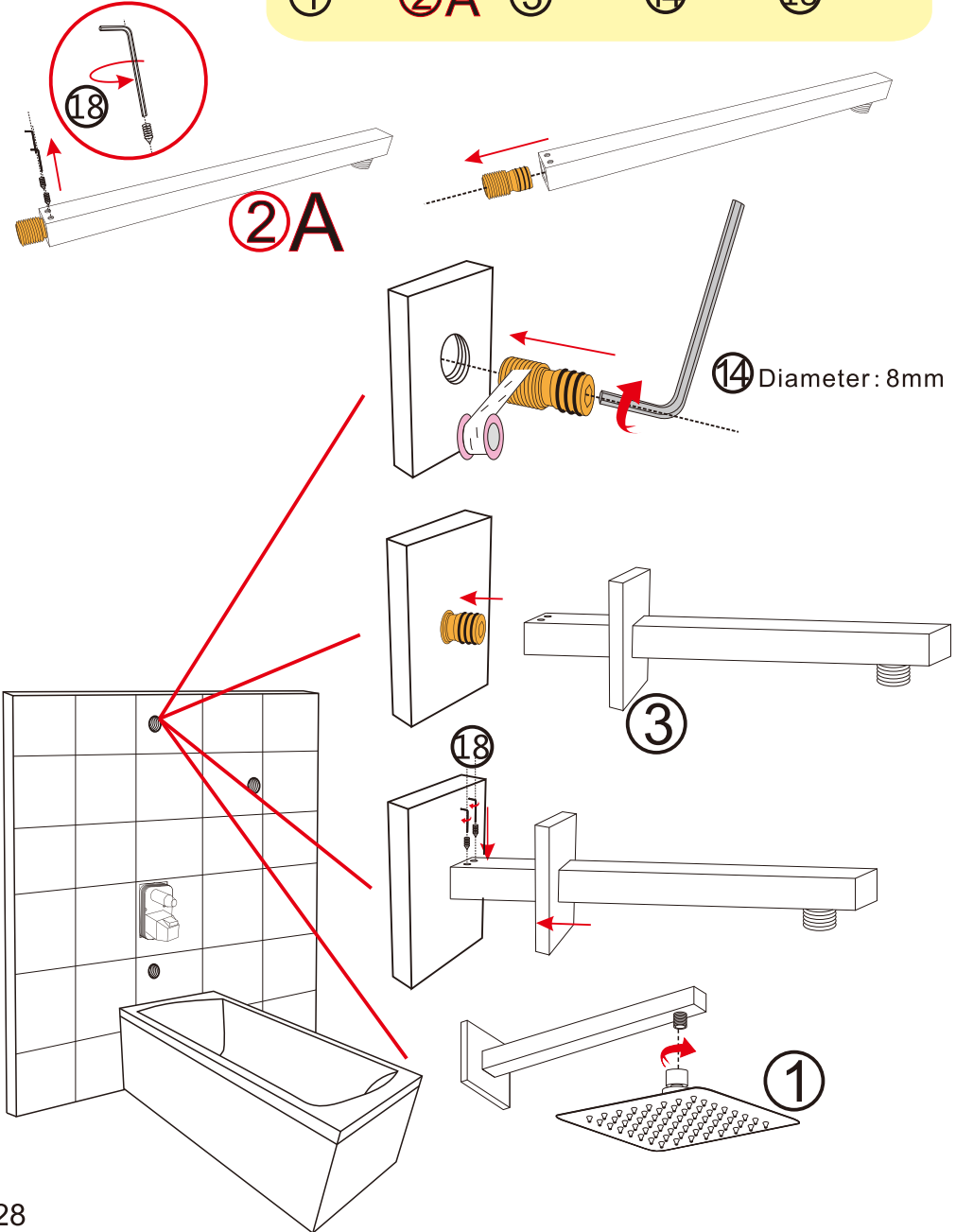
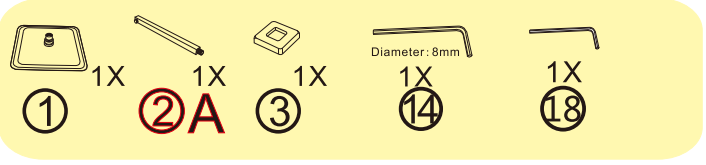


Unscrew the adapter counterclockwise to increase the water pressure.

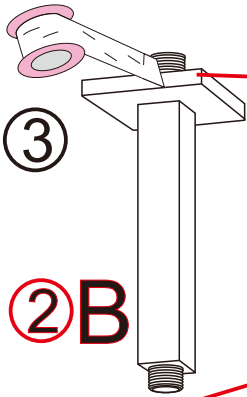
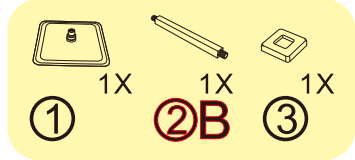
Unscrew the adapter clockwise to decrease the water pressure.



7A. Install Shower Arm and Rain Shower Head

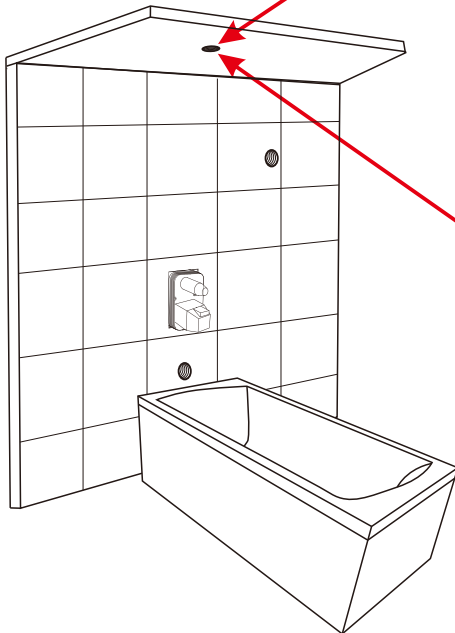
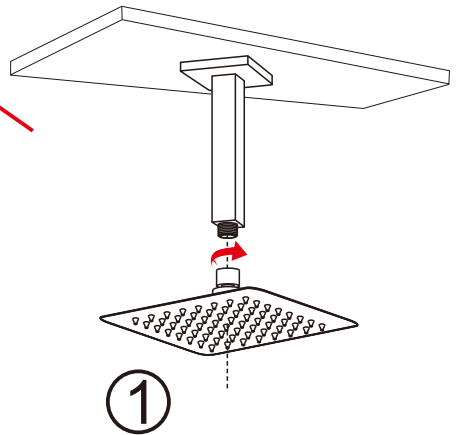
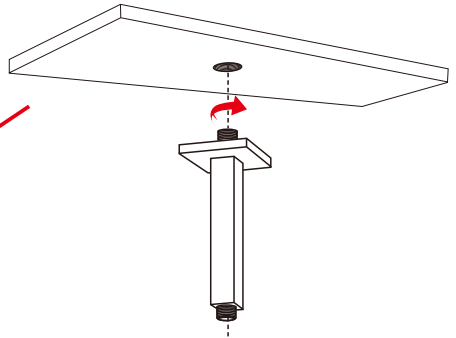


7B. Install Ceiling Shower Arm and Rain Shower Head



Longer thread for ceiling mount

Shorter thread for rain shower head



Customer Name	
Retailer / Assembly Fitter	
Purchase Date	
Warranty Duration	5 years as of purchase date

1.If the above contents are not complete, the warranty will be considered void, please confirm the above contents when you purchase.

2.The complimentary repairs are limited to instances mentioned on the warranty card only.

3.Within warranty period, if any technical faults occur, customer should present this warranty card along with the invoice to the retailer / assembly fitter.

Guarantee Repairs Claims

1. Within warranty period, SR SUNRISE SANITARY is responsible for repairing any defective product free of charge.

2. Please contact seller via email with this warranty card and invoice if repairs are needed during the warranty period.

3. SR SUNRISE SANITARY will not be responsible for any claims listed below:

3.1 The damage and/or malfunction caused by improper use an/or repairs; or any unauthorized reconstruction; including any damage caused by abuse (i.e. fall, throw... etc.)

3.2 Please engage the services of a professional plumber. SR SUNRISE SANITARY will not be responsible for any damage and/malfunction caused by wrongful installation.

3.3 The damage and/malfunction caused by removing after installation or other factors.

3.4 The damage and/malfunction caused by application beyond the scope of usage.

3.5 The damage and/malfunction caused by sand, dirt and other impurities.

3.6 The damage and/malfunction caused by improper/insufficient maintenance; rust on finishing etc...

3.7 The damage and/malfunction caused by fir, earthquakes, flood, lightning and other natural disasters, pollution, harmful gas, salts, abnormal voltage and other factors.

3.8 On occasions when the warrantee card or invoice is not presented.

4. The recommended water temperature of hand shower and rain shower is $\leq 42^{\circ}\text{C}$; water pressure 0.1-0.3 Mpa. The highest temperature should not reach beyond 70°C and water pressure should not exceed the limits of 0.05-0.5 Mpa. Please keep any shower products away from the heating devices to avoid potential risks.

5. This limited warranty applies only to the original end-user or business. It expressly excludes labor charges, removal charges, installation, or other incidental or consequential costs. Any inappropriate application will void the warranty.

6. This warranty cannot be replaced if missed, please keep safe.

Clean and maintain product

How to clean shower head nozzles

1. Just rub the nozzles with your finger or a toothbrush to loosen any deposits, and then run hot water for a few minutes
2. Put the showerhead into a pot. Consider using a smaller container that just about fits the showerhead; this way, you will use less vinegar. You can also use a small bucket or plastic bin.

Fill the pot with enough white vinegar to cover the showerhead. The acids in the vinegar will help dissolve the white mineral deposits on the showerhead.

Let the showerhead soak in the vinegar for 30 minutes. The more soiled the showerhead is, the longer you will have to leave it in the vinegar.

Maintain Chrome and Brushed nickel finished product

1. To clean the products all you need is a high quality microfiber cloth.
2. Apply a high quality chrome cleaner to a clean cotton cloth, and wipe over the chrome. Leave as per product instructions, and then rinse with warm water. Gently remove any product residue using a dry chamois or paper towel.
3. How to Clean Chrome: Homemade Solutions
In addition to professional products, homespun solutions also have their place when breathing new life into dull chrome. Try this shortcut to achieving chrome cleaning nirvana:

Detergent and warm water! Submerge chrome-plated objects including pots and pans in a sink full of warm water. Add a half-cup of a high quality washing up detergent (Persil washing up liquid is good) and rub gently with a soft cotton cloth to avoid scratching the chrome. Use a scented detergent to leave kitchenware smelling fresh, as well as spotless.

