

Model

SWING WALL MOUNT SWM-050

Thank you for purchasing the PDR product

To ensure the correct usage, please read and follow the instructions manual thoroughly. Please store the instructions in a safe place for future reference.

All PDR mounts and adapters carry a limited lifetime warranty against defects in material and workmanship.

Check the PDR website for details @ www.PDRmounts.com. We are not liable for improper installation that results in damage to mounts, adapters or presentation equipment.

Special techniques are necessary for installation of the panel display mount.

- Do not attempt to perform this work by yourself.
- Request an installation specialist to install this unit.
- Manufacturer assumes absolutely no responsibility for injuries and damages that may occur due to improper installation and handling.
- Please remember that if you remove the panel display from the wall later, you will find the screw holes and anchor bolts for the mounting unit left on the wall. Also note that long use of the panel display may discolor the wall around it due to its heat and airflow.

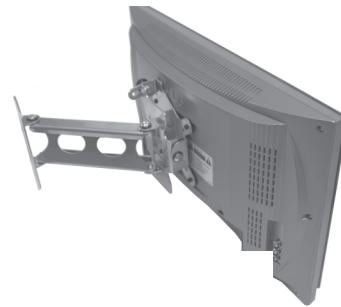
To ensure customer safety, be sure to decide the installation location so that the strength is sufficient to withstand the weight of both the panel display and the mount.

Always use at least two persons for all installations.

Fully tighten all of the mounting screws as specified in the installation instructions.

Model SWM-050 FEATURES

- Designed for a wide variety of displays
- 75mm and 100mm VESA mounting pattern
- Fingertip tilt-swivel adjustment
- Tilts 5 deg up and 15 deg down
- Rotates left and right
- Integrated cable management design
- 50 lb load rating
- Made and serviced in the USA



INSTALLATION LOCATION



WARNING



The wall where the wall mount is to be installed must be capable of long-term support of the total load of the display and wall mount. Measures should also be taken to ensure sufficient strength to withstand the force of earthquakes, vibration and other external forces.

Note: Incorrect installation can cause the display to fall and cause injury.

Total load of the display (display + wall mount)
MAXIMUM WEIGHT - 50 Lbs. (23 Kg.)



INSTALLATION ON A WOODEN WALL

Always install so that the load is supported by a wood stud. If the strength of the wood studs is not sufficient, add reinforcement. Do not install on decorative posts or plaster board. **Always confirm the center of the stud is used for the installation.**



CAUTION

- Avoid installing in locations where the temperature and humidity are excessively high, and where contact with any water is possible. These can result in fire or electric shock.
- Do not install close to an air conditioner intake or outlet. Do not install in locations where there are excessive amounts of dust, oily smoke or tobacco smoke. Fire could result.
- Do not block the ventilation holes. Leave sufficient clearance in regard to the surroundings to avoid blocking the ventilation. The internal temperature could elevate and possibly result in fire. Install the panel (4") or more away from surroundings.
- Install only on a vertical surface. Avoid sloped surfaces. Also, do not install facing upward. The internal temperature could elevate and possibly result in fire. Injury or damage could also result from falling.
- Do not install in locations where there is excessive vibration or impact. Injury and damage could result from the panel display falling.
- Do not install where there is direct sunlight or other strong light. Strong light could result in eye fatigue during usage.



WARNING

- Use the specified bolts and screws in the specified places and tighten firmly. Failure to do this could cause injury if the display falls.
- Do not alter any of the parts. Do not use broken parts. This could result with injury due to the display falling.
- Always use at least two people to perform the installation work. Injury could result from dropping heavy objects.

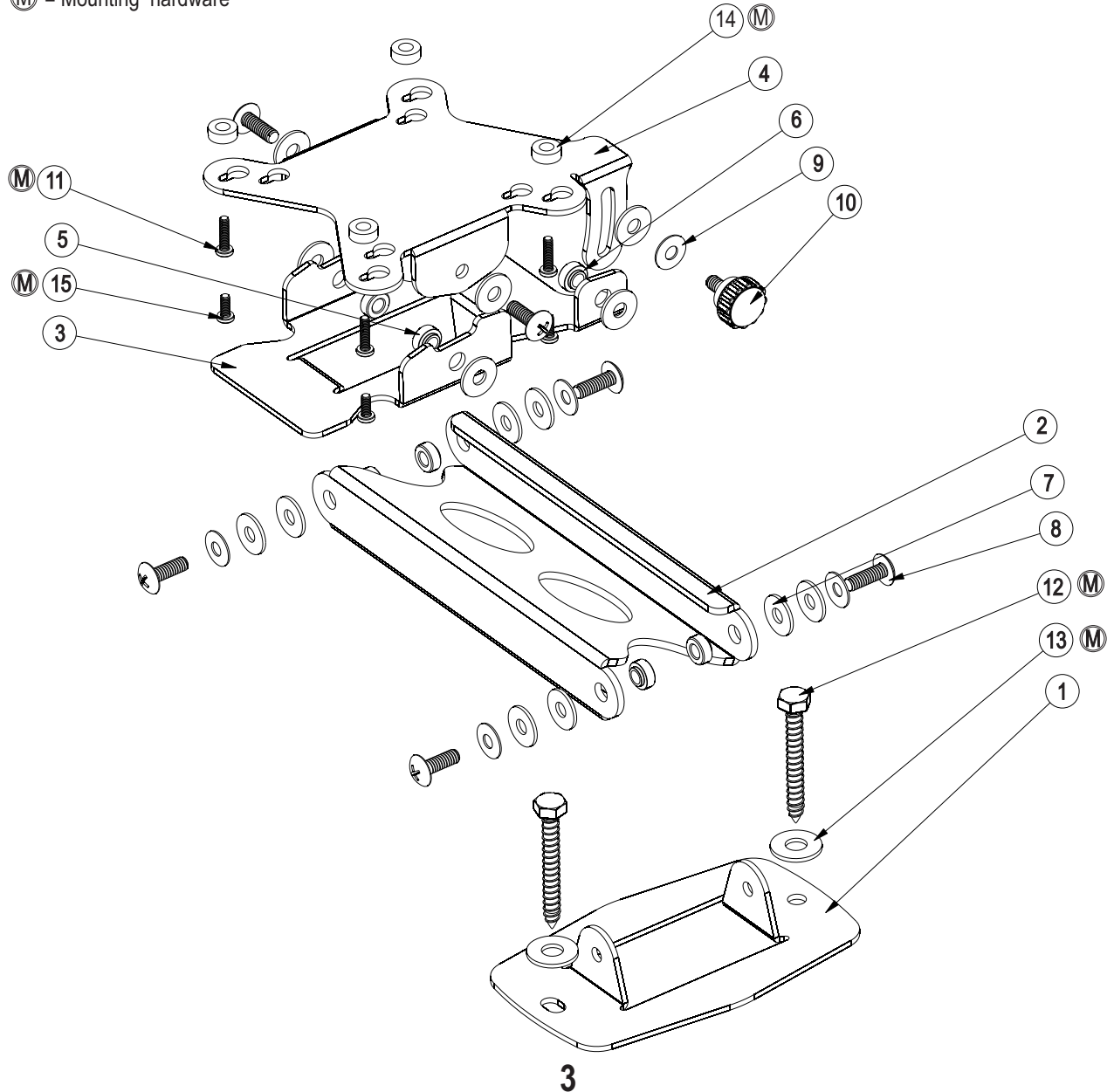
Caution: Installation of unit is to be carried out by qualified technicians only. Install in an appropriate location by checking the wall structure and durability for safety and accident prevention.

PARTS LIST

ITEM NO.	QTY	PART NUMBER	DESCRIPTION
1	1	AM-0088	SINGLE STUD WALL ATTACHMENT
2	1	AM-0089	SINGLE TUBE SINGLE STUD MOUNT
3	1	AM-0086	TILT PLATE MOUNT
4	1	AM-0085	VESA MOUNT
5	6	SL-0420-1-ZI	PEM SL-0420-1-ZI 1/4-20 LOCKING CLINCH NUT
6	1	PDM-0021	PEM S-0420-1 ZI 1/4-20 CLINCH NUT
7	14	PDM-0008	PLASTIC WASHER
8	6	TH-E-25-75-00	1/4-20 X 3/4 TRUSS HEAD PHILIPS MACHINE SCREW
9	5	K0637-A-032 DISC SPRING	BELLEVILLE DISC SPRING
10	1	PDM-0037	BLACK PLASTIC KNOB 1/4-20 X 1/2 STUD
11	4	PDM-0049	M4 X 16MM PAN HEAD PHILIPS MACHINE SCREW
12	2	PDM-0014	5/16" X 2 1/2" LAG BOLT
13	2	PDM-0015	5/16" X 7/8" STEEL FLAT WASHER
14	4	PDM-0010	PLASTIC SPACER
15	4	PMCW50-028	M4 X 10MM PAN HEAD PHILIPS MACHINE SCREW

(M)
(M)
(M)
(M)
(M)

(M) = Mounting hardware



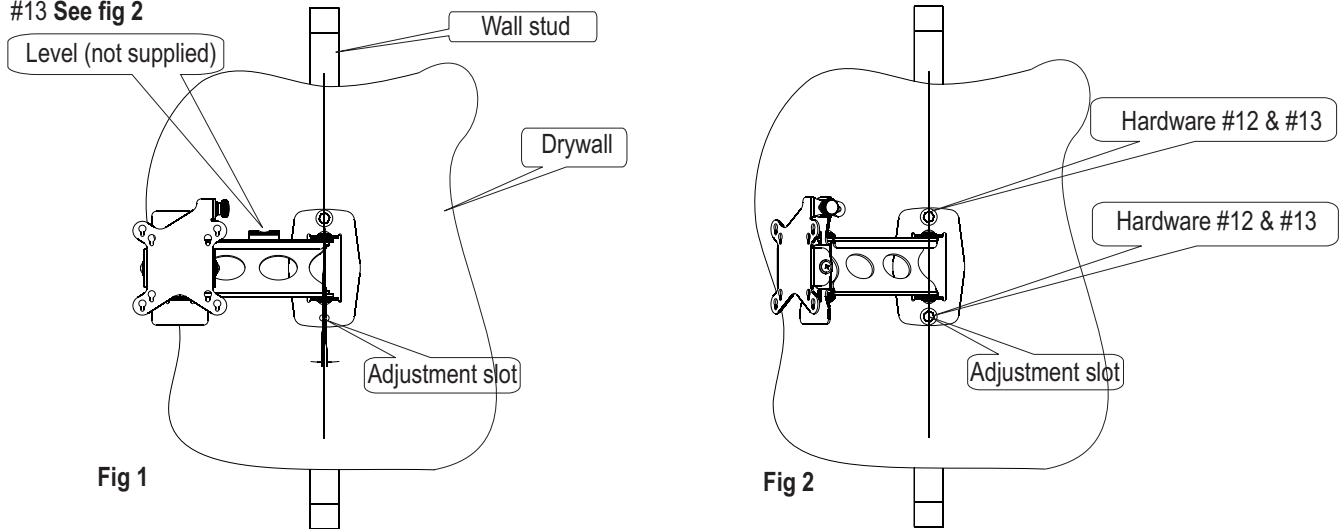
WALL MOUNTING INSTRUCTIONS

Determine a suitable mounting position, making sure there is enough room for the mount and display to swing from left to right.

The **SWM-050** must be mounted centered on a wall stud. **See fig 1**

Mark the location with a pencil, and using a 3/16 drill bit, drill a pilot hole for the mounting hardware #12. Secure the top of the bracket with lag screw #12 and washer #13.

Swing the mount to the left or right against the wall, and using a level (not supplied) adjust and secure the bottom hardware #12 and #13. **See fig 2**



DISPLAY MOUNTING INSTRUCTIONS

Place the display face down on a soft protected surface. Using the four screws supplied #15, screw into the back of the display leaving the head about 1/8" from bottoming. (If your display back is not flat it may require the use of the spacer and screws supplied #11 and #14). **See fig 3**

Place the display onto the mount thru the keyhole slots in the SWM-050 (# 4). **See fig 4**

After the display is secure in the bottom of the keyhole slots tighten the screws. **See fig 5**

Tighten the tension bolts and knob to suite your preference and the weight of the display. This will prevent the mount from creeping from the desired location. **See fig 3**

Route the wires thru the holes provided in the mount to suite. **See fig 3**

