

**Model**

**PDM 625T PANEL DISPLAY MOUNT**

Thank you for purchasing the PDR panel display wall mount.

To ensure the correct usage, please read and follow the instructions manual thoroughly. Please store the instructions in a safe place for future reference.

All PDR mounts and adapters carry a limited lifetime warranty against defects in material and workmanship.

We are not liable for improper installation that results in damage to mounts, adapters or presentation equipment.

**Special techniques are necessary for installation of the panel display mount.**

- Do not attempt to perform this work by yourself.
- Request an installation specialist to install this unit.
- Manufacturer assumes absolutely no responsibility for injuries and damages that may occur due to improper installation and handling.
- Please remember that if you remove the panel display from the wall later, you will find the screw holes and anchor bolts for the mounting unit left on the wall. Also note that long use of the panel display may discolor the wall around it due to its heat and airflow.

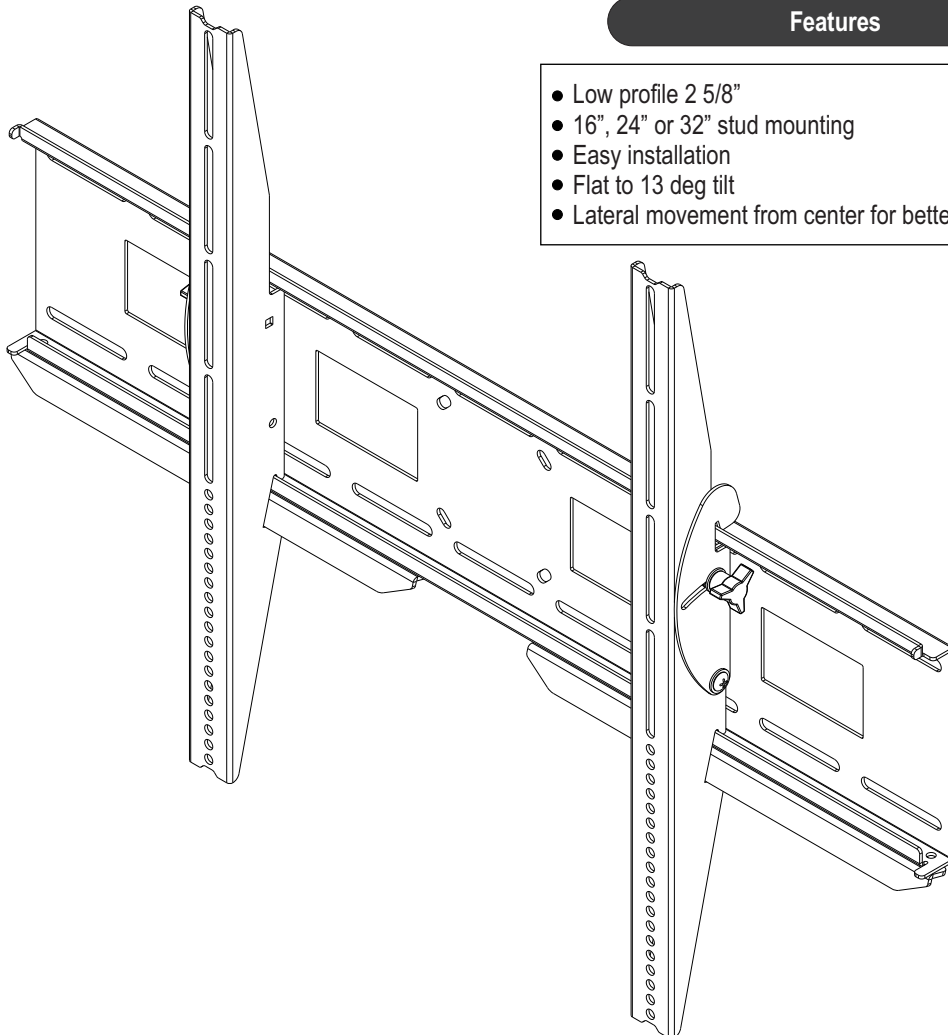
To ensure customer safety, be sure to decide the installation location so that the strength is sufficient to withstand the weight of both the display and the mount.

Always use at least two persons for all installations.

Fully tighten all of the mounting screws as specified in the installation instructions.

**Features**

- Low profile 2 5/8"
- 16", 24" or 32" stud mounting
- Easy installation
- Flat to 13 deg tilt
- Lateral movement from center for better viewing position



## INSTALLATION LOCATION



### WARNING



The wall where the wall mount is to be installed must be capable of long-term support of the total load of the panel display and wall mount. Measures should also be taken to ensure sufficient strength to withstand the force of earthquakes, vibration and other external forces.

**Note:** Incorrect installation can cause the panel display to fall and cause injury.

Total load of the panel (panel display + wall mount)

MAXIMUM WEIGHT 300 LBS (138 kg)



### INSTALLATION ON A WOODEN WALL

Always install so that the load is supported by a wood stud. If the strength of the wood studs is not sufficient, add reinforcement.

Do not install on decorative posts or plaster board. **Always confirm the center of the stud is used for the installation.**



### CAUTION

- Avoid installing in locations where the temperature and humidity are excessively high, and where contact with any water is possible. These can result in fire or electric shock.
- Do not install close to an air conditioner intake or outlet. Do not install in locations where there are excessive amounts of dust, oily smoke or tobacco smoke. Fire could result.
- Do not block the ventilation holes. Leave sufficient clearance in regard to the surroundings to avoid blocking the ventilation. The internal temperature could elevate and possibly result in fire. Install the panel (4") or more away from surroundings.
- Install only on a vertical surface. Avoid sloped surfaces. Also, do not install facing upward. The internal temperature could elevate and possibly result in fire. Injury or damage could also result from falling.
- Do not install in locations where there is excessive vibration or impact. Injury and damage could result from the panel display falling.
- Do not install where there is direct sunlight or other strong light. Strong light could result in eye fatigue during usage.

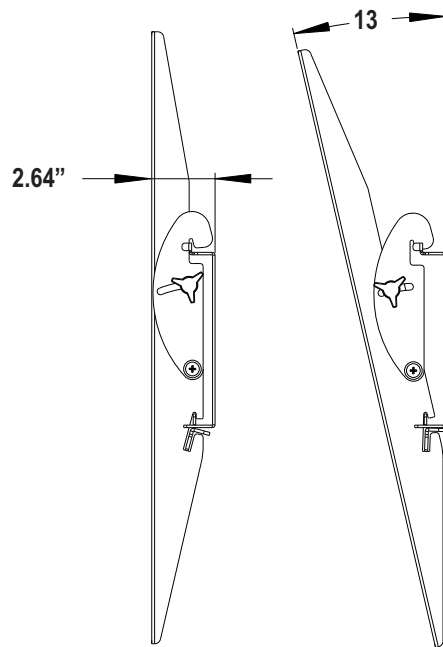
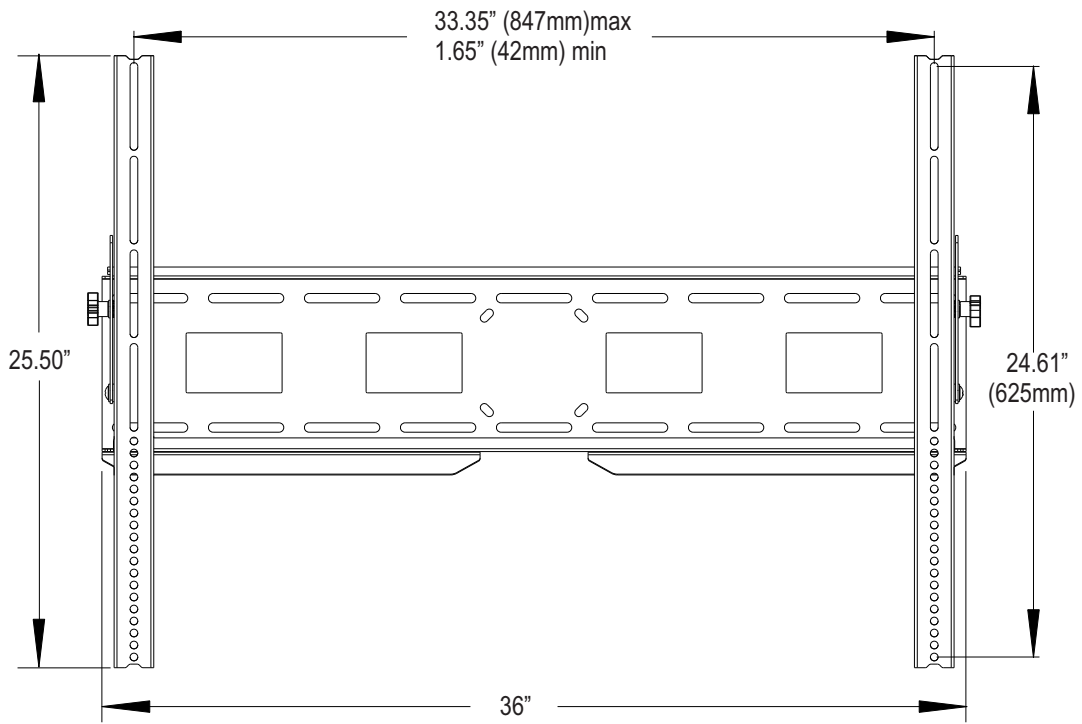


### WARNING


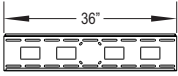
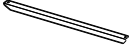

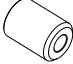








- Use the specified bolts and screws in the specified places and tighten firmly. Failure to do this could cause injury if the panel display falls.
- Do not alter any of the parts. Do not use broken parts. This could result with injury due to the panel display falling.
- Make sure that both hooks from the each pivot bracket engage with the wall bracket. Failure to do so could cause the panel display to fall.
- Always use at least two people to perform the installation work. Injury could result from dropping heavy objects.

**Caution: Installation of unit is to be carried out by qualified technicians only. Install in an appropriate location by checking the wall structure and durability for safety and accident prevention.**

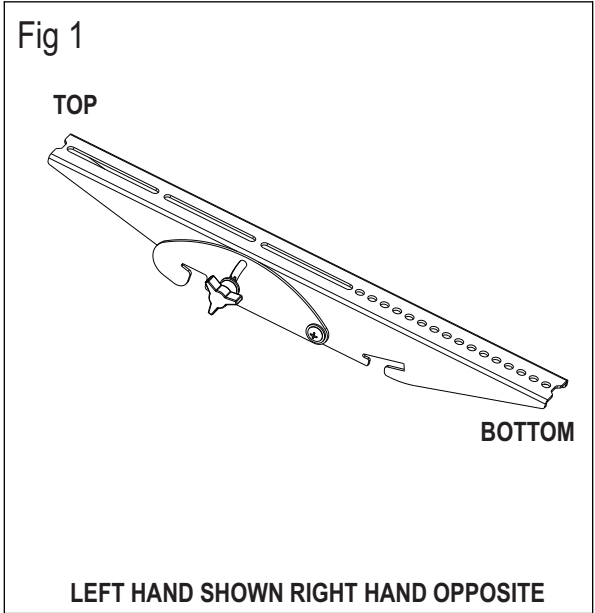
**Product specification**



**PARTS LIST**

<b>A</b>		Display bracket .... 2 pcs
<b>B</b>		Wall mount bracket...1 pc
<b>C</b>		Locking bar... 2 pc
<b>D</b>		5/16" Flat washers...6 pcs
<b>I</b>		Plastic spacer 3/4 x 1"...4 pcs
<b>E</b>		5/16' x 2 1/2"Lag bolts...6 pcs
<b>J</b>		Multi mount washer ...4 pcs
<b>F</b>		5mm x 16mm...4 pcs
<b>K</b>		5mm x 40mm... 4 pcs
<b>G</b>		6mm x 16mm...4 pcs
<b>L</b>		6mm x 40mm...4pcs
<b>R</b>		
<b>H</b>		8mm x 20mm...4pcs
<b>M</b>		8mm x 40mm...4pcs
<b>S</b>		

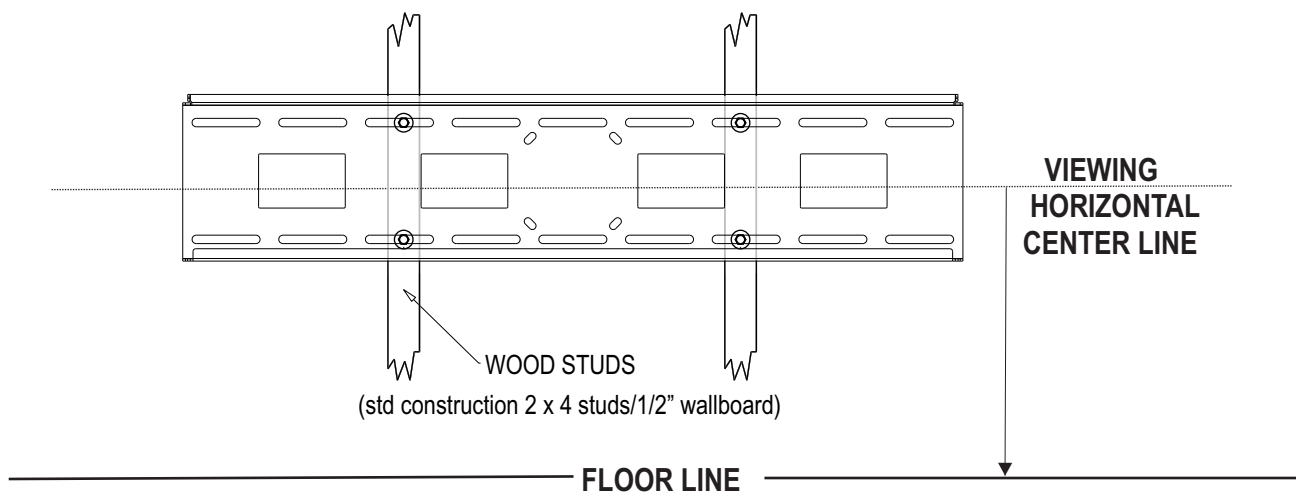
**MOUNTING ARM ASSEMBLY**



## 1. FASTEN MOUNTING PLATE TO WALL

The bracket must be secured to the wall studs capable of at least (4) times the weight of the unit. The wall bracket should be mounted at the same horizontal center line as the display center line ( viewing horizontal center line). Using the four lag bolts ( E ) and washers supplied ( D ), level and secure the mounting plate to the center of the wall studs Pre drill 3/16" (5mm) hole for lag bolts . **See Fig 2**

**Fig 2**



## 2. SECURE THE DISPLAY BRACKETS TO THE MONITOR

Lay the display panel face down on a protected surface.

Position the left and right hand bracket (A) with the holes facing towards the bottom.

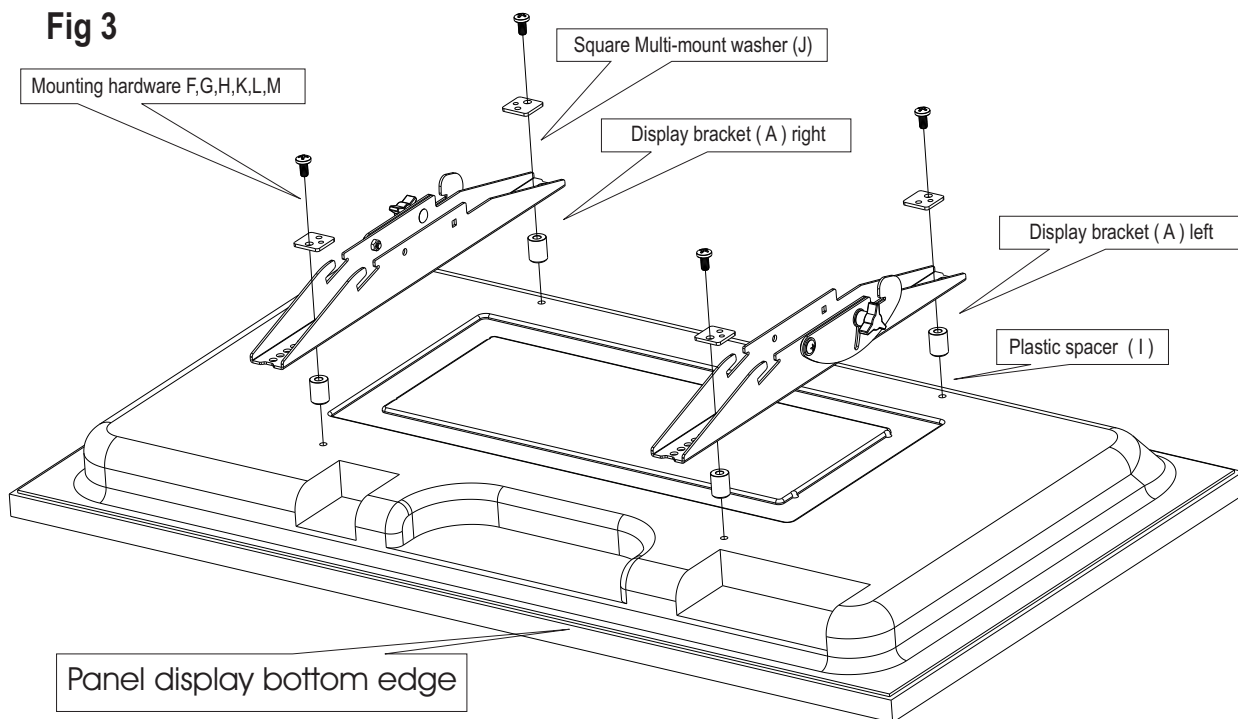
**See Fig. 3 Note bottom edge.**

Using the proper screws (F,G,H) and multi washer (J) supplied position the brackets equal distance from the top and bottom edge , and tighten hardware.

Additional hardware is supplied (screws K,L,M) and plastic spacers (I) to be used if needed for different display mounting applications.

**Note: Do not over tighten the bracket mounting screws as damage to the displays internal mounting threads could occur.**

**Fig 3**



### 3. MOUNT THE DISPLAY TO THE WALL MOUNT BRACKET

Lift the display, with the brackets attached, onto the wall plate. **See Fig 4**

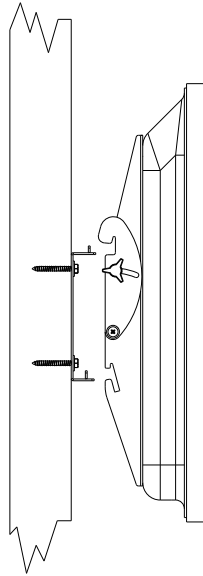
Position the top and bottom into the slots. **See Fig 5 and 6**

**Make sure the display brackets engage the rails on the wall mount bracket (B) See Fig 5**

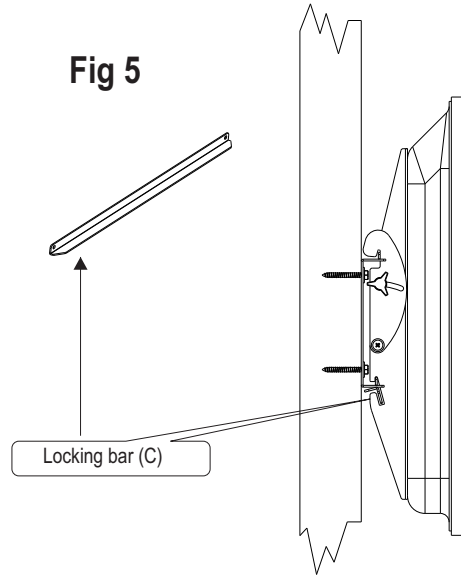
Insert the locking bar (C) as shown in **Fig 5** with the locking holes facing up to match the holes in the wall mount bracket (B).

Secure with a padlock (not supplied) thru holes in the locking bar (C) and wall mount bracket (B) **Fig 5**

**Fig 4**



**Fig 5**



### 4. ADJUST LATERAL MOVEMENT AND TILT

**Lateral Movement:**

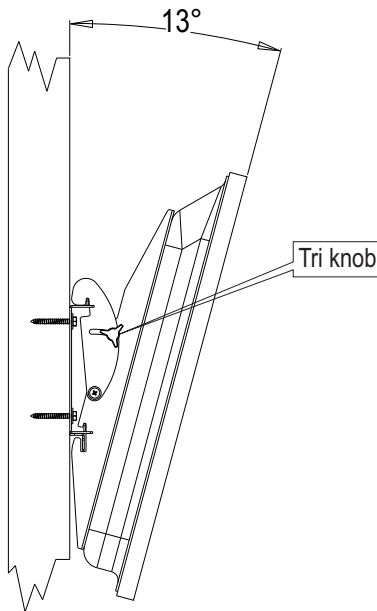
Once the display on the wall is complete, you can still move the display left to right to optimize the final viewing position by gently sliding the unit on the wall bracket. The adjustment distance will vary depending on the display size being used. **See Fig 7**

**Tilt adjustment:**

Tilt adjustment can be made by holding the top of the display and loosening both tri knobs.

After tilt adjustment is complete, tighten both tri knobs. **See Fig 6**

**Fig 6**



**Fig 7**

