

## Model: PDM-0086 PANEL DISPLAY MOUNT EXTENSIONS

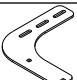



Thank you for purchasing the **PDR** panel display mount extensions  
To insure the correct usage, please read and follow the instruction throughly.

All **PDR** mounts and adapters carry a limited lifetime warranty against defects in material and workmanship.  
We are not liable for improper installation that results in damage to mounts, adapters or presentation equipment.

### Assembly

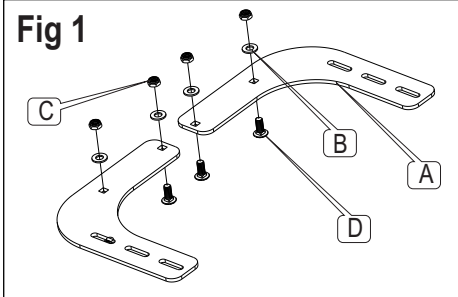
Attach the extension arm to fit the mounting points on your display, using the hardware supplied see **fig 2**.  
The extension should be equally spaced on the mount and the display. Use the instructions included in your particular mount to complete the installation.

### Parts Configuration Chart Features

|          |   |
|----------|---|
| <b>A</b> |    |
|          | Extension arms 4 pcs  |
| <b>B</b> |   |
|          | 5/16" x 11/16 flat washer 8 Pcs   |
| <b>C</b> |  |
|          | 5/16-18 nylock insert locknut 8 pcs   |
| <b>D</b> |  |
|          | 5/16-18 X 3/4" CARRIAGE BOLT  |

- Extends all **PDR** display mounts size range up to 80"
- 625 model can be used on displays up to 80"
- 110 models can be used displays up to 65"
- 120 models can be used on displays up to 50"
- 200 lbs load rating

### Extension arm assembly



**Fig 2**  
(Shown with pdm-110T)

