

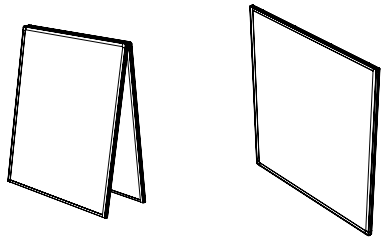


**WHITEBOARD EASEL CART  
ASSEMBLY**  
WBWB31ESLBL

www.standsteady.com  
customerservice@standsteady.com  
1-703-688-DESK [3375]  
Made in China

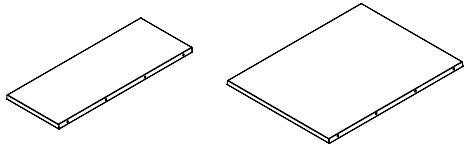
**STAND STEADY**

**COMPONENTS**



#1 (X1)

#2 (X2)



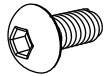
#3 (X1)

#4 (X1)



#5 (X2)

**HARDWARE**



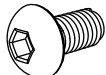
**A (X16)**  
M5 X 12MM



**B (X4)**



**C (X8)**  
M4 X 12MM



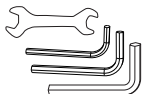
**D (X8)**  
M6 X 12MM



**E (X4)**

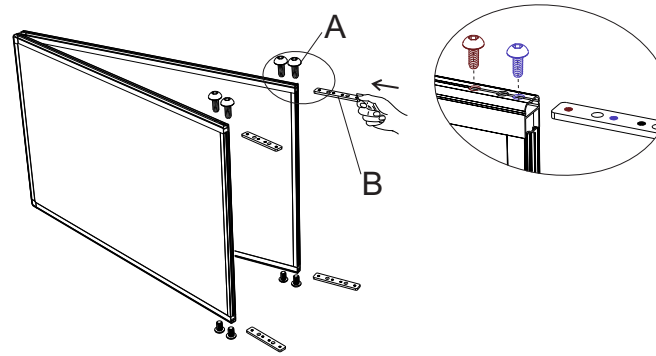


**F (X4)**

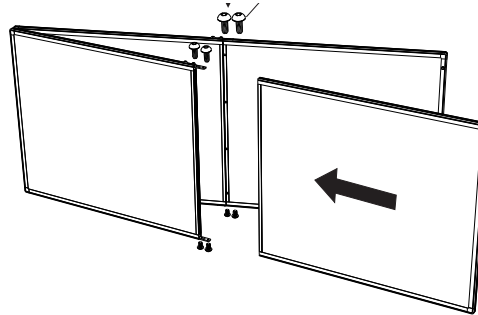


**G (X4)**

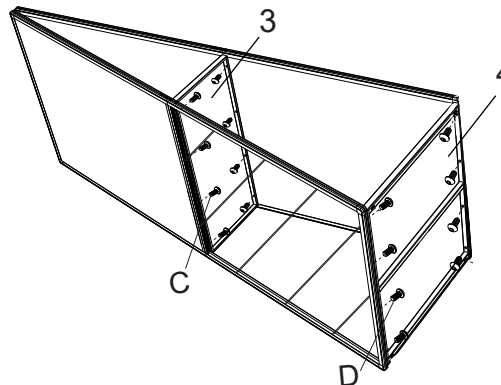
**1.** SLIDE CONNECTOR B (X4) INTO FRAME IN PART #1. SECURE EACH CONNECTOR USING SCREW A (X8).



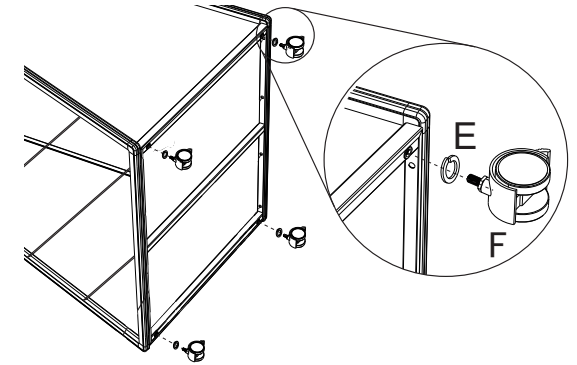
**2.** SLIDE LOWER WHITEBOARD #2 (X2) ONTO CONNECTOR B AND SECURE USING SCREW A [X8].



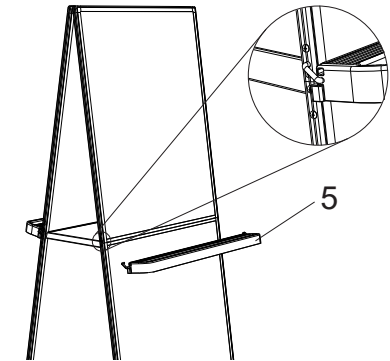
**3.** ATTACH CENTER SHELF #3 USING SCREW C [X8]. ATTACH LOWER SHELF #4 USING SCREW D [X8].



**4.** ATTACH WHEEL F (X4) TO LOWER SHELF #4. ENSURE WASHER E [X4] IS APPLIED TO THE STEM OF WHEEL F [X4].



**5.** ATTACH MARKER TRAY #5 (X2) TO ASSEMBLY. PULL EACH HOOK AND INSERT INTO MOUNTING HOLES ON FRAME.



**ALL SET!  
ENJOY YOUR NEW  
WHITEBOARD  
CART!**

