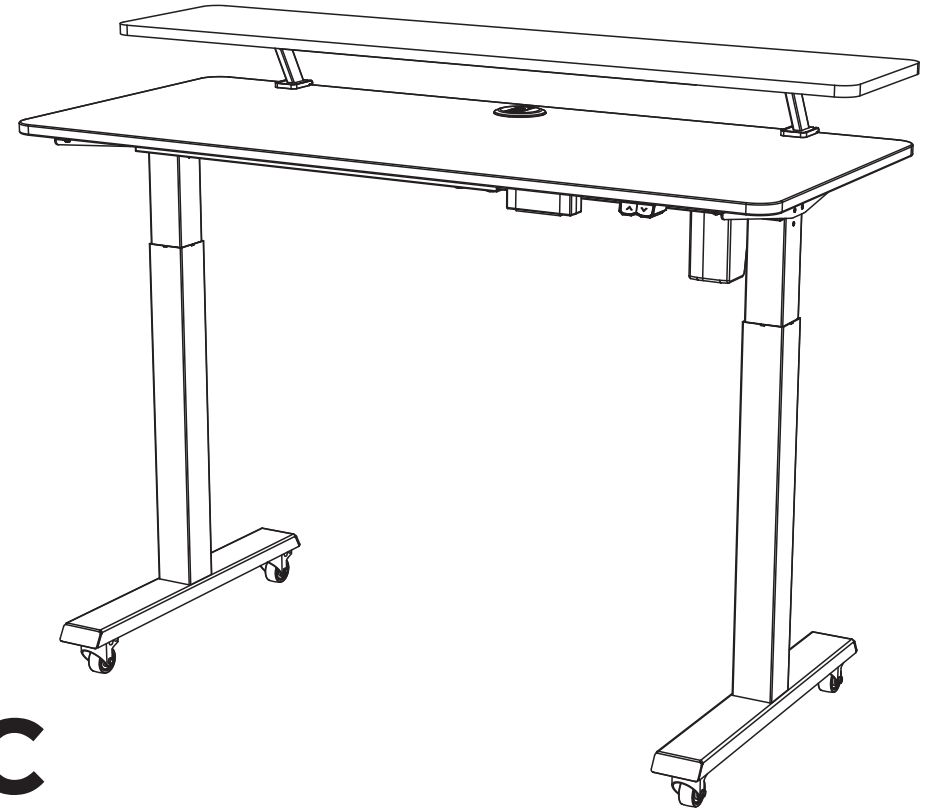




TREL55LBLW+55

Instruction Manual


# ELECTRIC SIT-STAND DESK



# I Preface

This electric height adjustable standing desk consists of a heavy-duty steel desk frame and a motorized height adjustment system. Please read and completely understand this manual before installation in order to make sure the safe and correct use of the system and maintain the longevity of the overall construction and the built-in electronics.

## Instructions of Safety and Warnings:

- Any failure to comply with the safety and installation instructions in this manual may cause serious bodily injury.
- Any incomplete observation of the instructions, warnings and additional information marked with the **"Note"** and "" may result in serious damage to the system or its components.
- This product can be used by children aged from 8 years and above if they have been given supervision or instruction concerning use of the appliance in a safe way and understand the hazards involved. Children shall not play with the appliance. Cleaning and user maintenance shall not be made by children without supervision. Unplug the desk when the system isn't in use, and place the power plug out of children reach.
- Persons with reduced physical, mental abilities and or lack of experience and knowledge must not use the product, unless they're under supervision, understand the hazards involved or they have been thoroughly instructed in the use of the apparatus by a person who is responsible for the safety of these persons.
- Users should make sure that they never sit on the desktop in order to prevent serious bodily injury.



## Electrical Safety Instructions:

The product is powered by electricity. In order to avoid burns, fire and electric shock, please read the instructions carefully.



Don't clean the product with water while the power is still connected.



Never operate the system if it's in moist environment or its electrical components have contact with liquids.



Don't disassemble or replace components while the power is still connected.



Don't operate the system if the control box makes noise or odor. Alterations of the given power unit and control box aren't allowed.



Never operate the system with a damaged cord or plug. Please contact your point of purchase to replace the damaged parts.



## Other Safety Instructions:

- Clear up all obstacles within the height adjustment range.
- Don't leave the cords or plug unorganized in order to prevent tripping hazards.
- Any attempts to reconstruct the desk frame aren't allowed.
- Don't add anything to the adjustable junctions of the desk frame.
- Outdoor use is prohibited.

# I Preparation

## 1 What are the specifications you need to know?



Weight Capacity  
**50kg (110lbs)**



Power Input  
**(100-240V)**



Operation Temperature  
**(-5°C~+40°C)**

## 2 What are the tools you require while installation?



Bubble Level



Allen Wrench  
(Included)

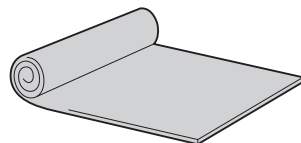


Drill



Phillips Screwdriver

## 3 What's the thing you'd better have before installation?



A Shipping Blanket  
to protect the desk  
and the floor


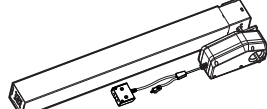
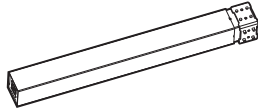
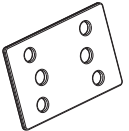
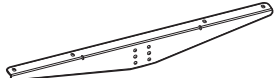

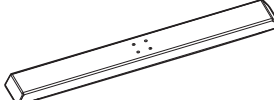
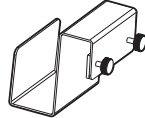
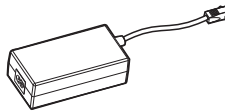

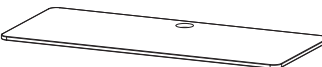




## 4 Things you need to know before installation

Please check all of the components shown in the component checklist. If any of the components are missing or damaged, contact your point of purchase for a replacement.



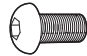
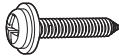
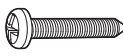





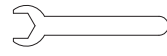
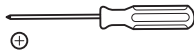
**Disposal:** The product with this mark indicates that this product shouldn't be disposed with other household wastes throughout the EU. To prevent possible harm to the environment or human health from uncontrolled waste disposal, recycle it responsibly to promote the sustainable reuse of material resources. To return your used device, please use the local recycle service or contact your point of purchase to withdraw the product.

# I Checklist and Installation

 <b>A (x1)</b> Crossbar	 <b>B (x1)</b> Lifting Column	 <b>C (x1)</b> Lifting Column	 <b>D (x1)</b> Crossbar Spacer
 <b>E (x2)</b> Side Bracket	 <b>F (x1)</b> Sync Rod	 <b>G (x2)</b> Foot	 <b>H (x1)</b> Adapter Holder
 <b>I (x1)</b> AC Adapter	 <b>J (x1)</b> Power Plug	 <b>K (x1)</b> Desktop	 <b>L (x1)</b> Desktop Power Grommet
 <b>M (x4)</b> Caster	 <b>N (x2)</b> Clamp Bracket	 <b>O (x1)</b> Desk Shelf	

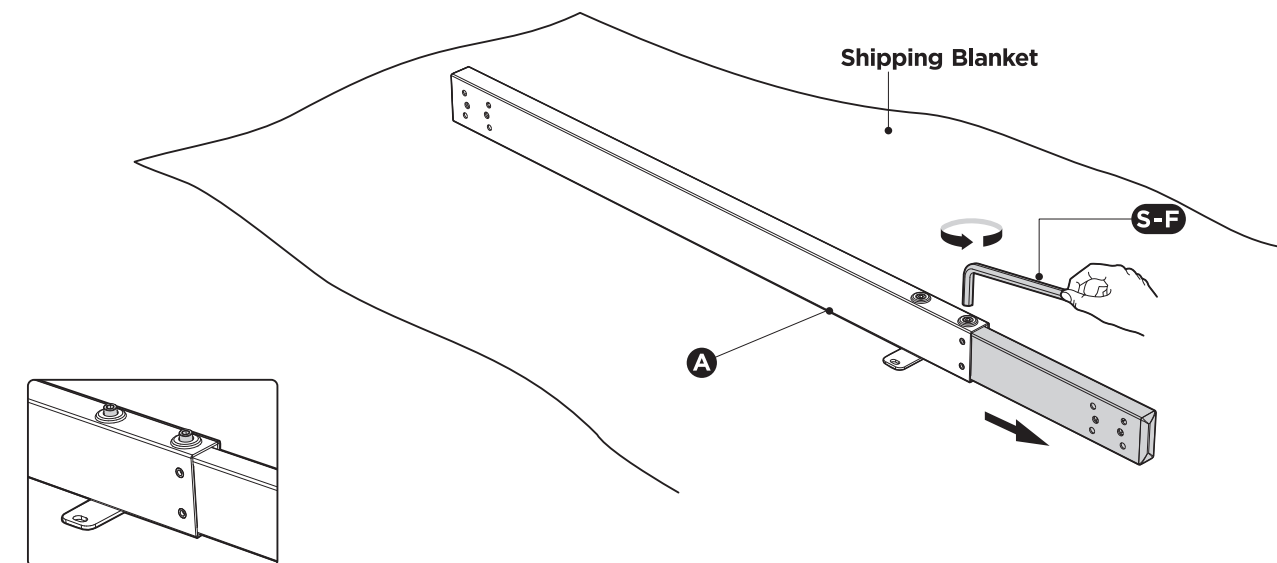


This page can be torn so that it's easier for you to match the components with the images.

 <b>S-A (x16)</b> Hex Head Screw	 <b>S-B (x10)</b> Phillips Head Screw+ 1 Spacer	 <b>S-C (x2)</b> Phillips Head Screw
 <b>S-D (x3)</b> Cable Clip	 <b>S-E (x10)</b> Anti-Vibration Pad	 <b>S-F (x1)</b> Allen Wrench
 <b>S-G (x4)</b> Hex Head Screw	 <b>S-H (x4)</b> Plastic Pad	 <b>S-I (x1)</b> Crescent Wrench
 <b>S-J (x1)</b> Phillips Screwdriver		

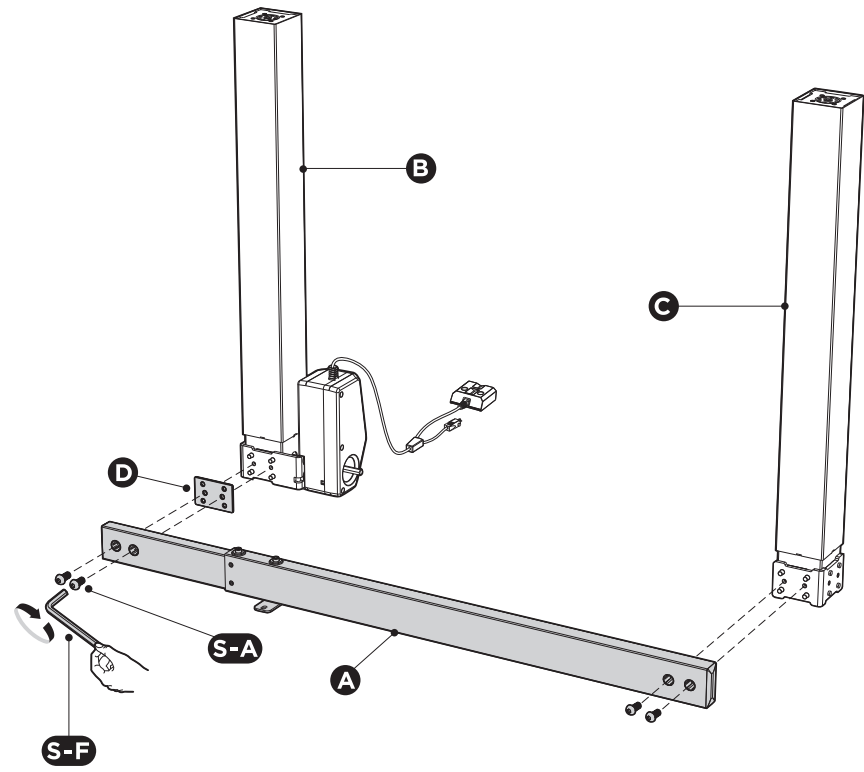
Now let's start the installation.

## I Assembling the Crossbar



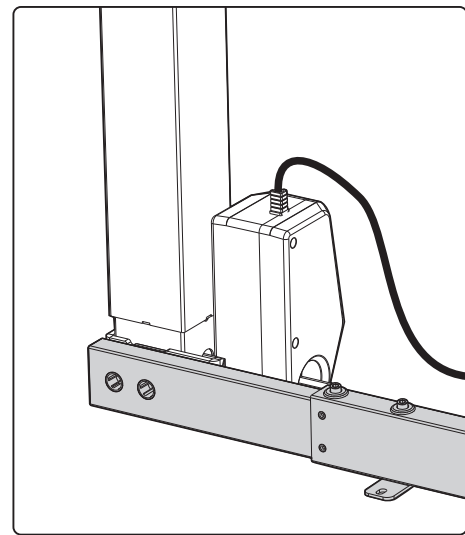
- Please prepare a spacious area for installation, and put a shipping blanket on the area to prevent scratches on the floor and the frame.
- Loosen the hex head screws that fix the adjustable junction, but don't completely take out the screws.

**Note:** The drawing of the crossbar is the **backside** of it.



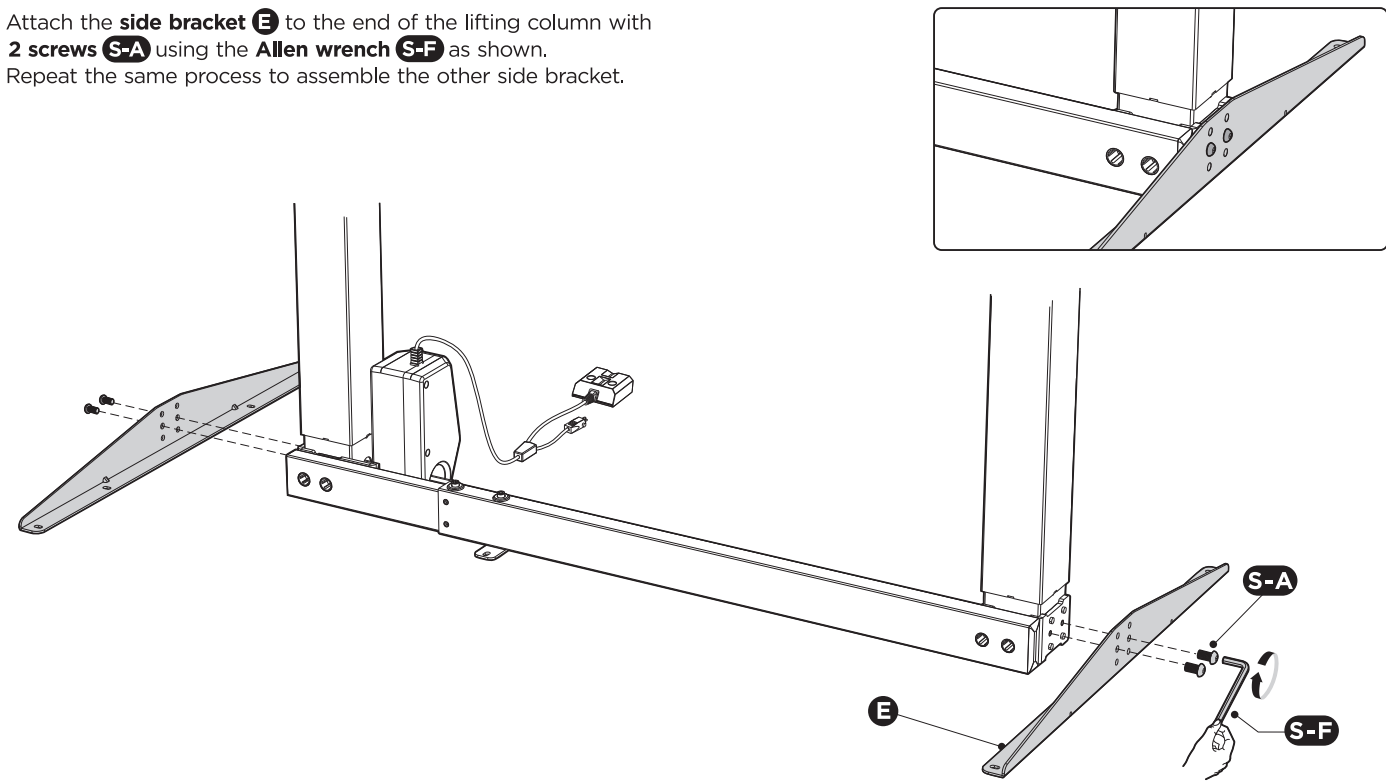
- Attach one end of the **crossbar A** and **crossbar spacer D** to the **lifting column B** with **2 screws S-A** using the **Allen wrench S-F** as shown.
- Attach the other end of the crossbar to the **lifting column C** with **2 screws S-A** using the **Allen wrench S-F**.

**Note:** Maintain the lifting columns in a **FACE DOWN** position during installation. This will aid in the remaining assembly steps.

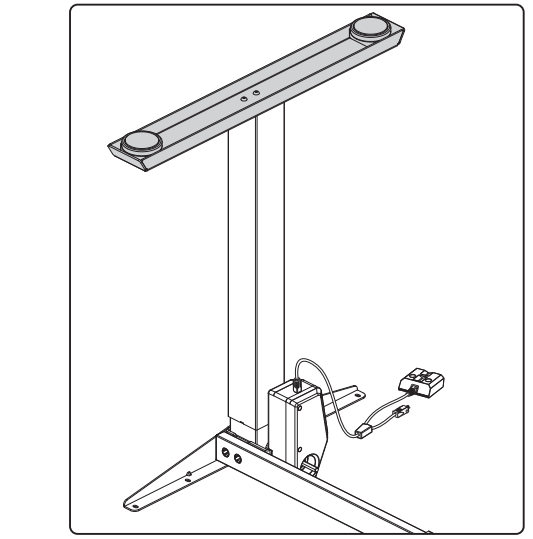
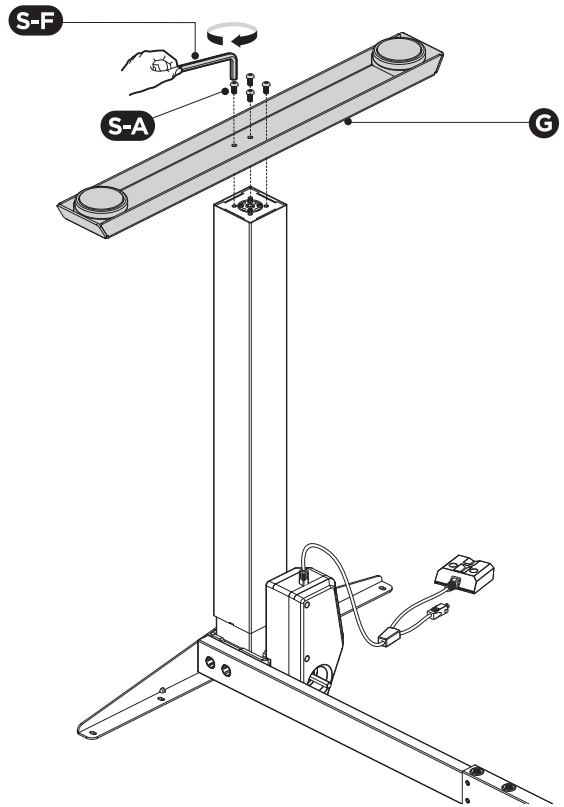


## I Installing the Side Brackets

- Attach the **side bracket E** to the end of the lifting column with **2 screws S-A** using the **Allen wrench S-F** as shown.
- Repeat the same process to assemble the other side bracket.



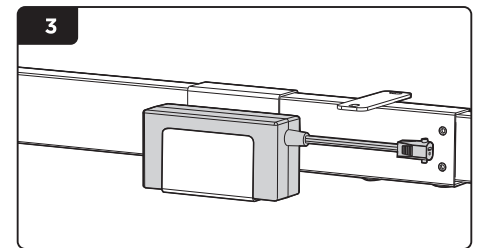
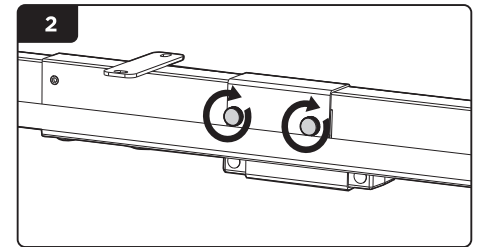
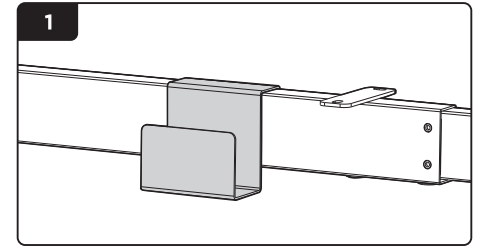
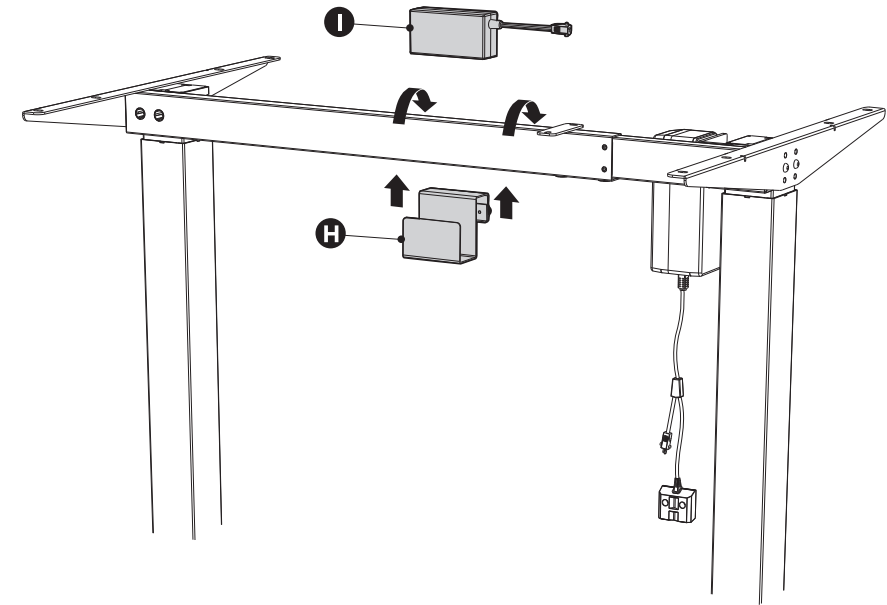
## I Installing the Feet



- Place the foot on the bottom of the lifting column. Align the mounting holes on the foot with the screw holes on the lifting column.
- Fix the foot **G** using 4 screws **S-A** with the Allen wrench **S-F**.
- Repeat the same process to assemble the other foot.

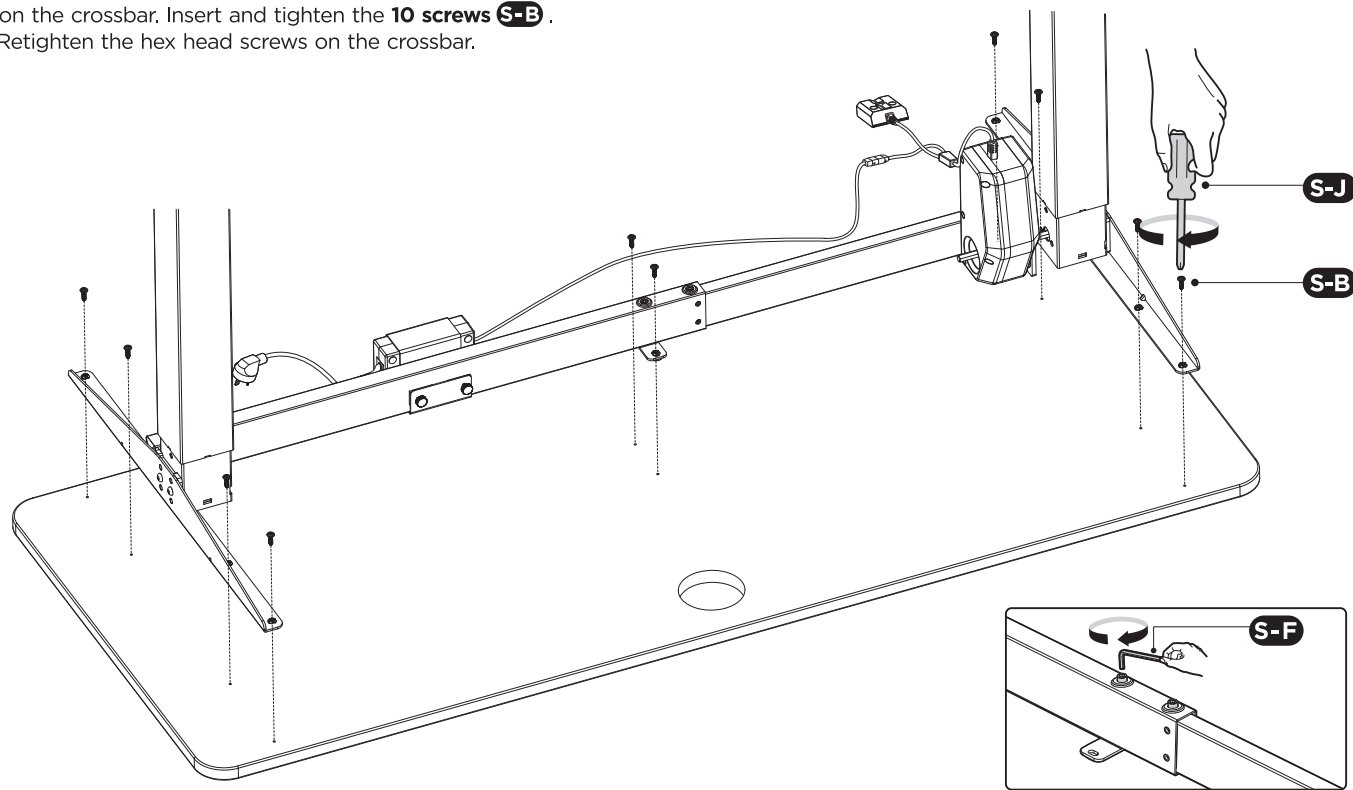
## I Assembling the Adapter Holder

- Turn over the desk frame with the crossbar facing up.
- Hang the adapter holder **H** on the crossbar as shown.
- Tighten the knobs on the adapter holder and then put the AC adapter **I** into it.



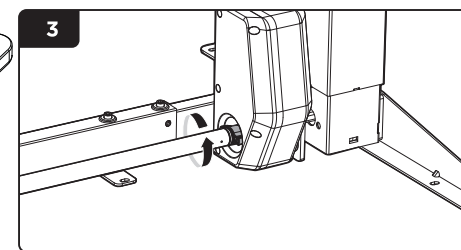
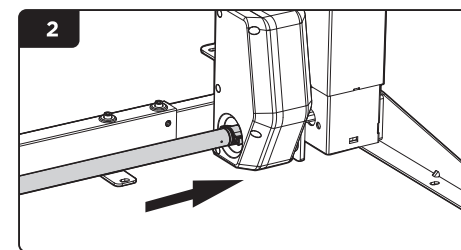
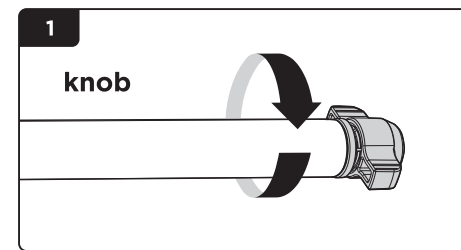
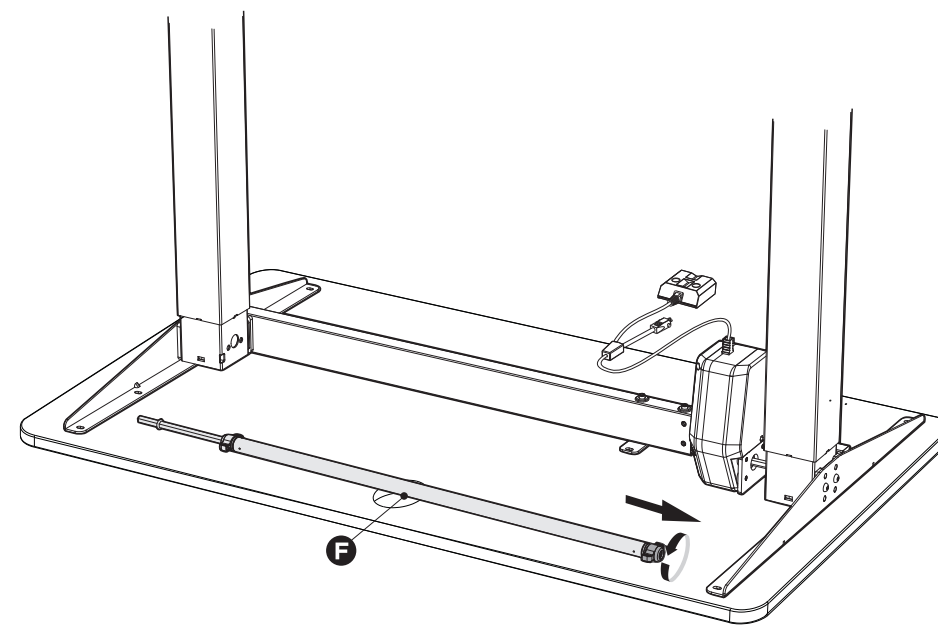


- Turn over the desk frame with the crossbar facing down.
- Align the previously drilled screw holes with the mounting holes on the crossbar. Insert and tighten the **10 screws S-B**.
- Retighten the hex head screws on the crossbar.



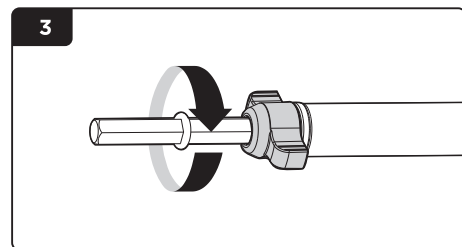
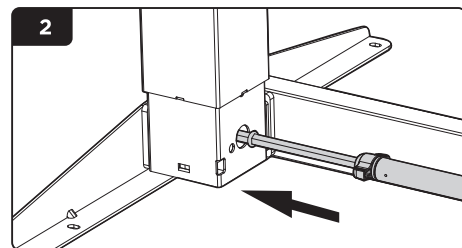
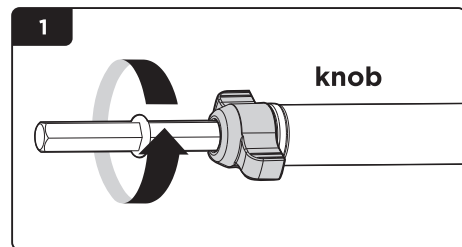
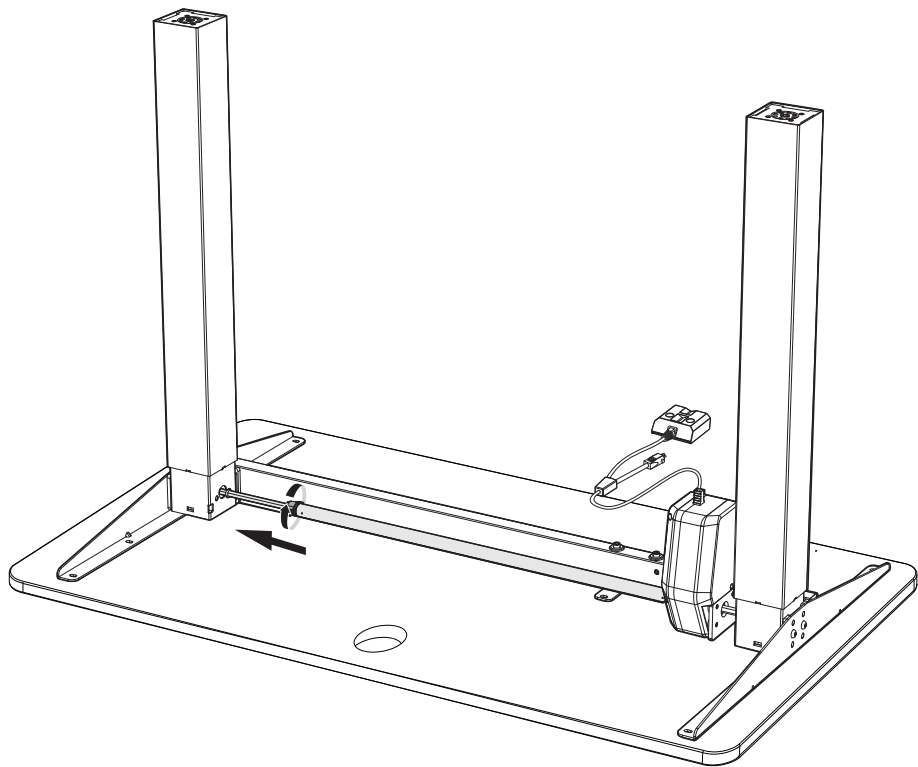
## I Assembling the Sync Rod

- Turn the right knob counterclockwise as shown to loosen the **sync rod F**.
- Attach the end of the sync rod as shown to the motor spindle in red line position and turn the right knob clockwise to tighten the connection.



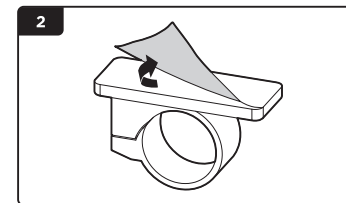
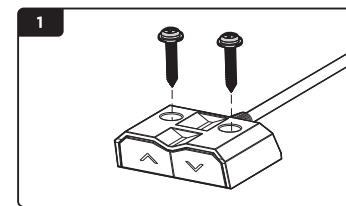
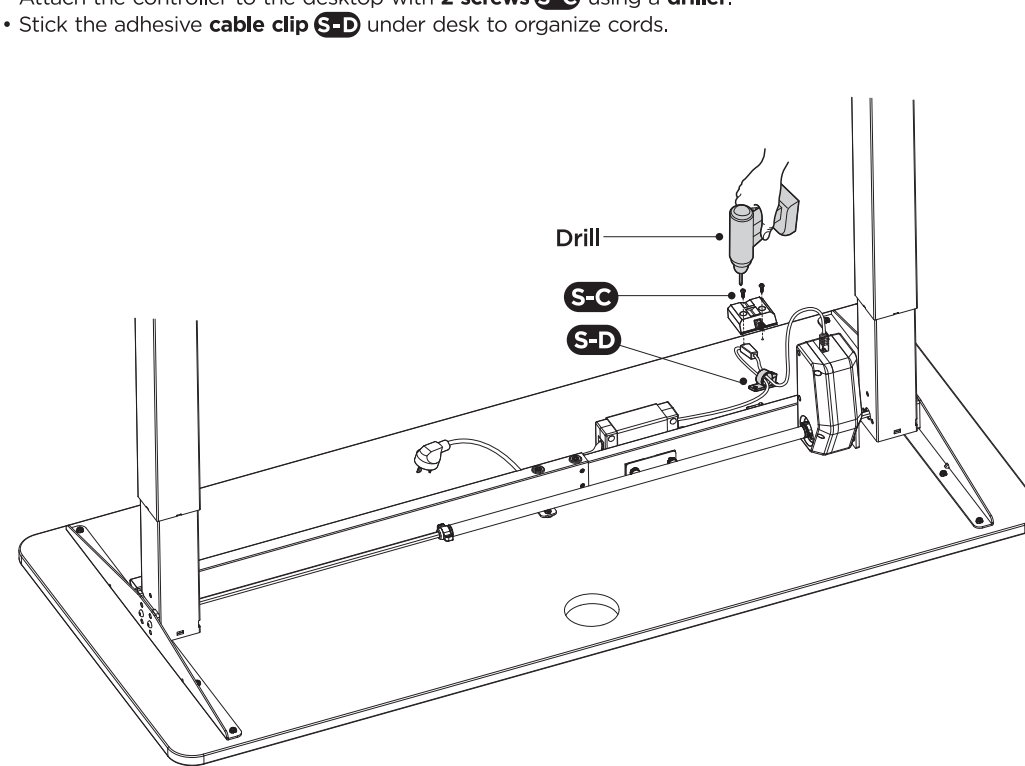


- Turn the left knob clockwise as shown to loosen the sync rod.
- Insert the other end of the sync rod into the column as shown in Figure 2.
- Tighten the knob as shown in Figure 3.



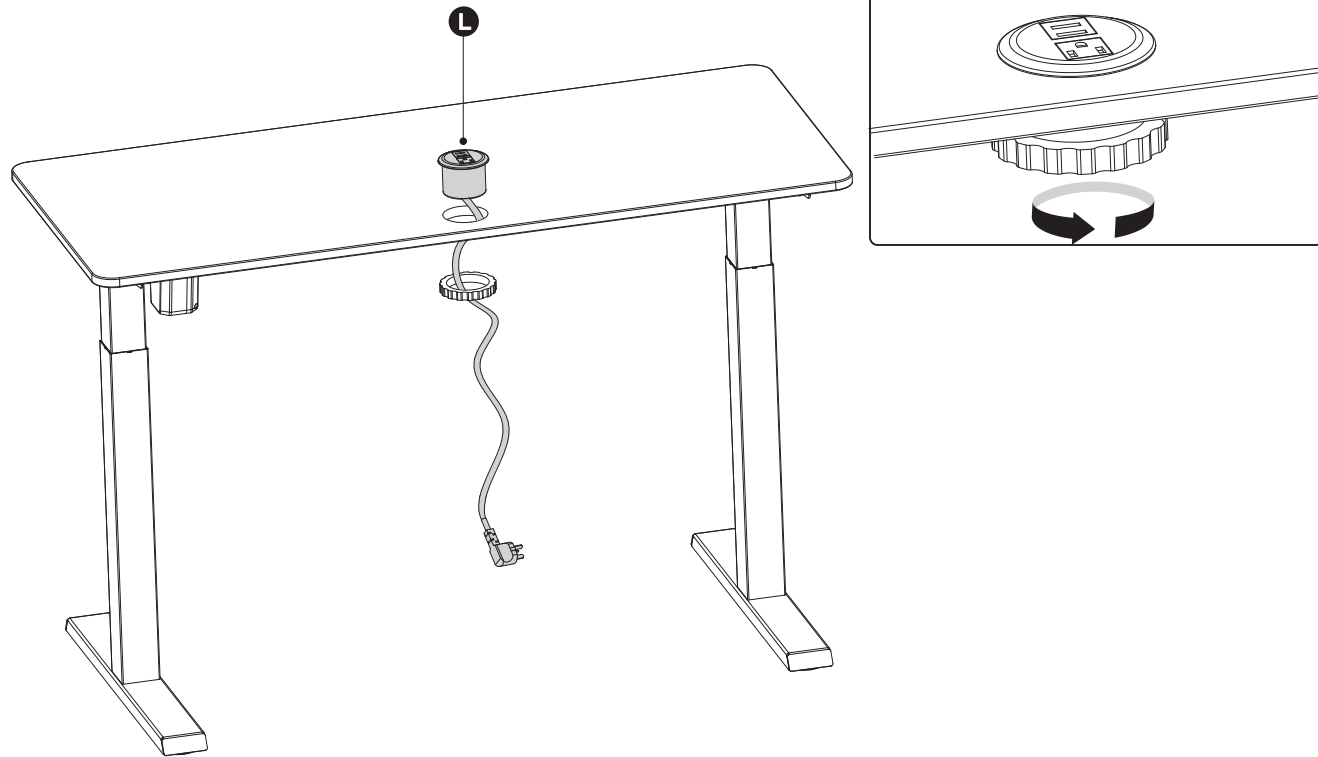
## I Attaching the Control Panel

- Attach the controller to the desktop with **2 screws S-C** using a **driller**.
- Stick the adhesive **clip S-D** under desk to organize cords.



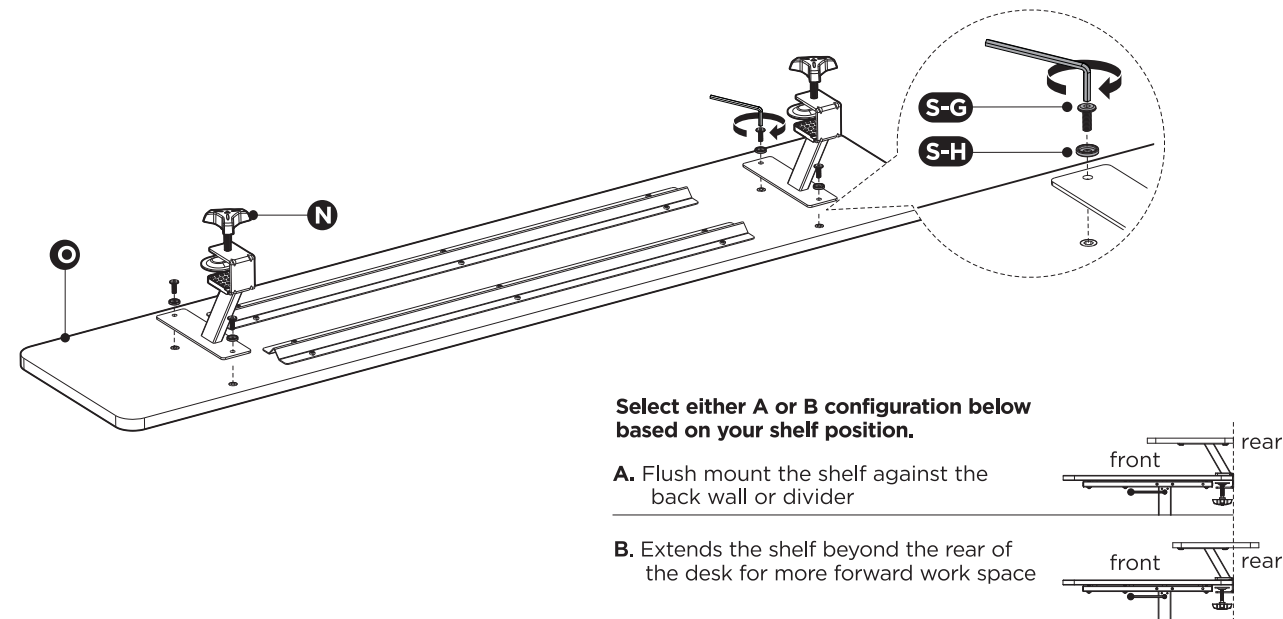
## I Attaching the Desktop Power Grommet

- Remove the locking ring of the Power Grommet.
- Insert Power Grommet into the grommet hole and press until it fits snugly.
- Re-attach the locking ring from below as shown.



## I Assembling the Desk Shelf

- Attach the **Clamp Brackets (N)** to the **Desk Shelf (O)** using **4 Screws (S-G)** and **Plastic Pads (S-H)** with Allen Wrench. (See below configuration options. Select one.)



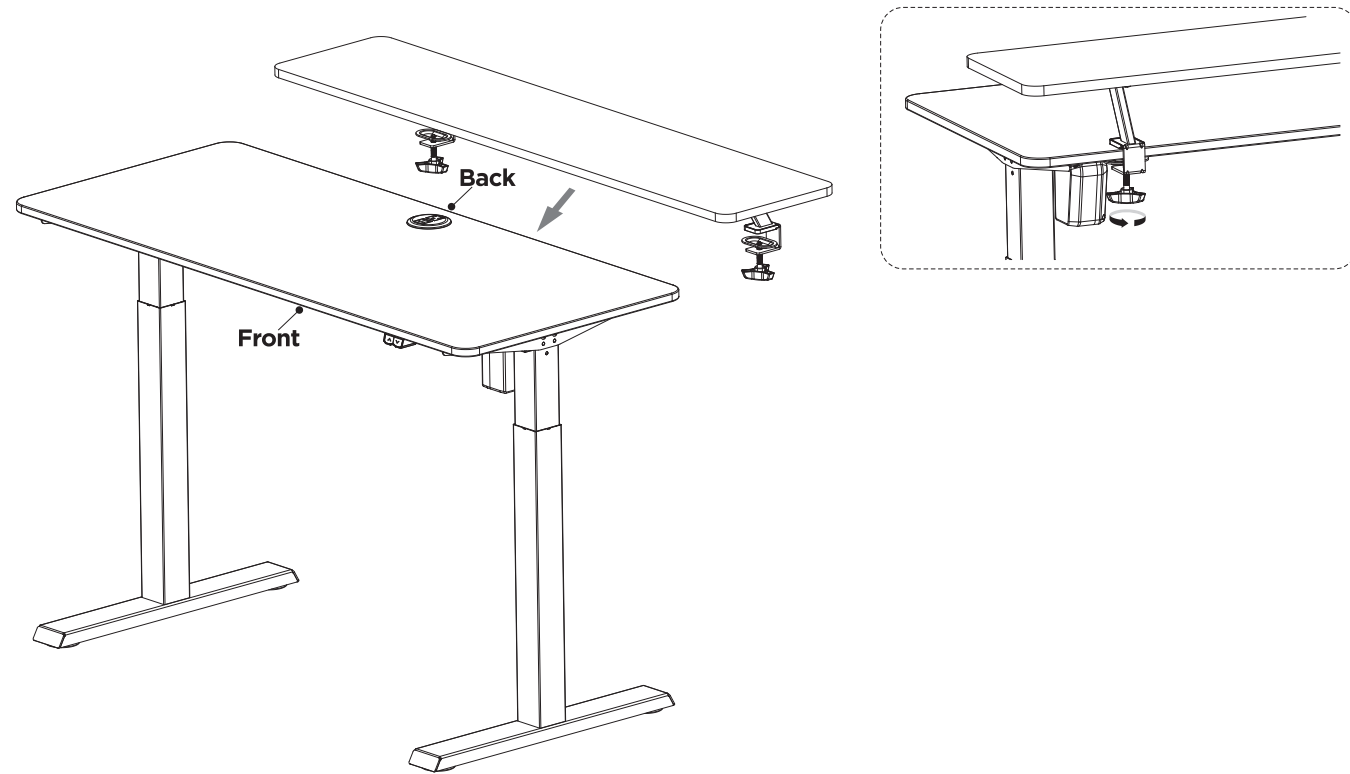
Select either A or B configuration below based on your shelf position.

A. Flush mount the shelf against the back wall or divider

B. Extends the shelf beyond the rear of the desk for more forward work space

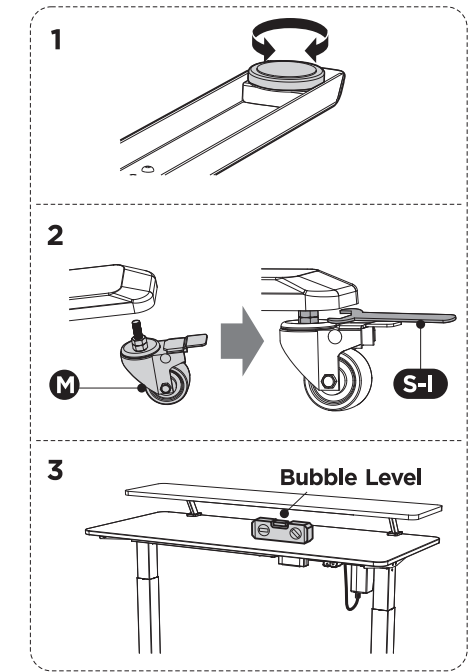
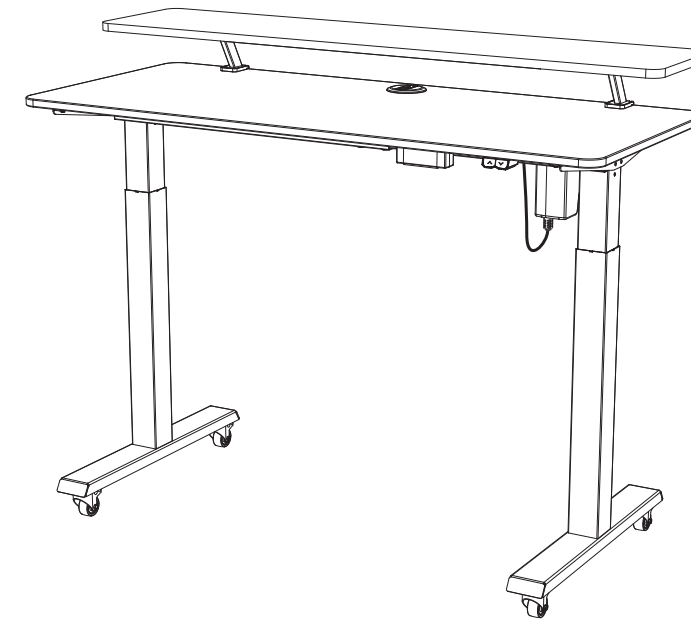
## I Attaching the Desk Shelf to the Desktop

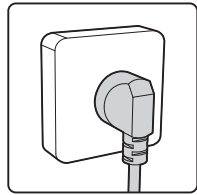
- **Note:** Place the desk shelf to the back side of the desk.



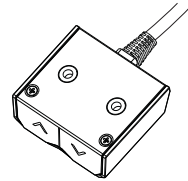
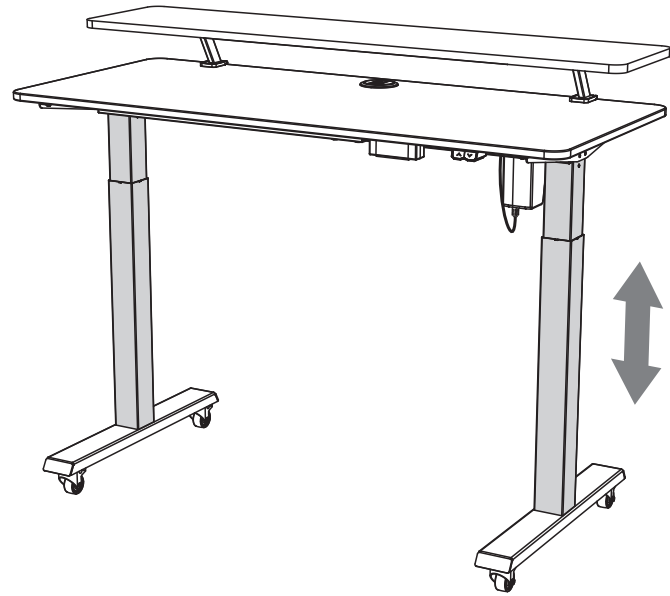
## I For Freestanding/Mobile Solution:

- There are two adjustable leveling pads under each foot. If the floor isn't even, simply turn the pad to adjust the height to make the desk stable as shown on Figure 1.
- Detach the leveling pads at the bottom and screw the **Lockable Casters M** into the feet with **Crescent Wrench S-I** as shown on Figure 2.
- Tip: Use a bubble level to check if the desktop is even as shown on Figure 3.





Connect the desk to power.  
You can now use the sit-stand desk.



#### Operation Instruction:

- △ Upward movement
- ▽ Downward movement

Press the “△” or “▽” and do not release until the desk reaches the desired height. To avoid possible motor damage, do not continuously operate the control panel for over 2 minutes. Should the unit be operated over this time, please allow the system to rest for at least 18 minutes prior to using it again.

Overload protection mode: the desk will enter overload protection mode should the system exceed maximum loaded weight. Should this occur, the system will power off automatically. Before using it again, remove some items on the desk until the system is within the maximum loaded weight.