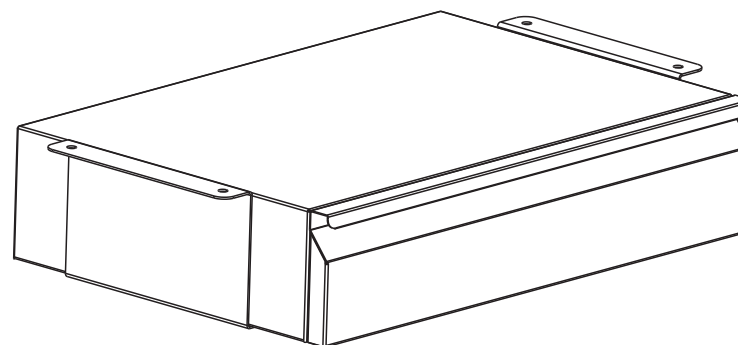


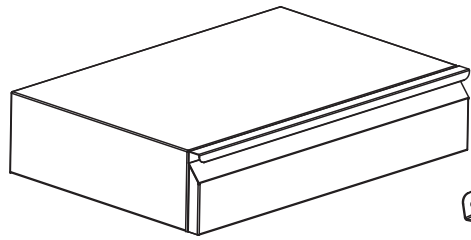


DR18BL

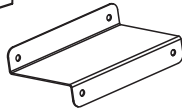


TRANZENDESK DRAWER

ASSEMBLY INSTRUCTIONS



A(x1)



B(x2)

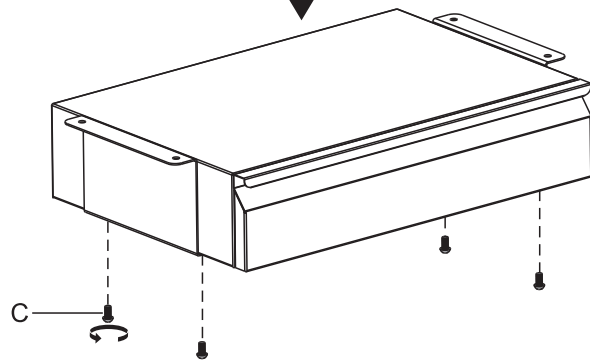
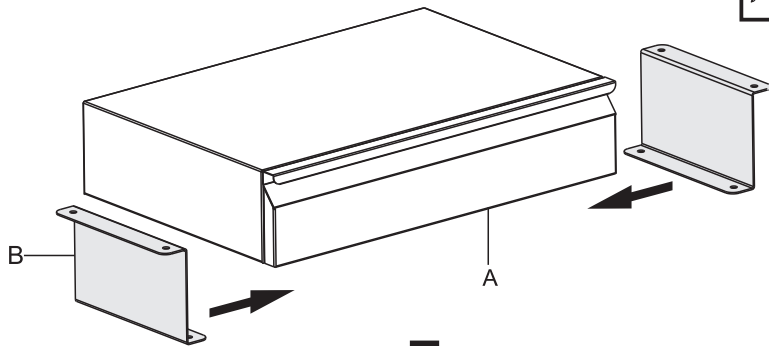


C(x4)



D(x4)

1



2

