

STAND STEADY

Round Charging Table

SKU: TRRDТBBLE



STAND STEADY

Contact Us:

www.standsteady.com

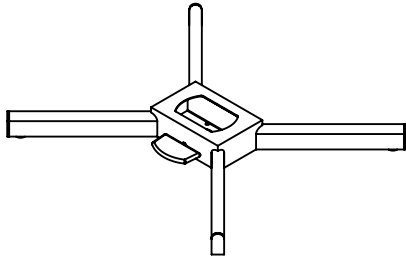
customerservice@standsteady.com

1-703-688-DESK (3375)

Made in Taiwan

COMPONENTS

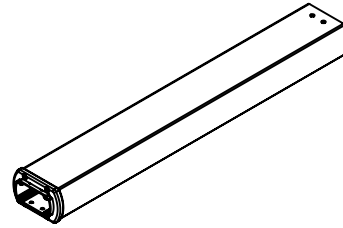
HARDWARE



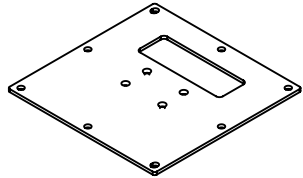
1
QTY. 1



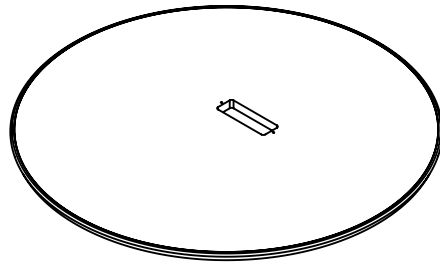
2
QTY. 4



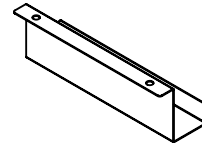
3
QTY. 1



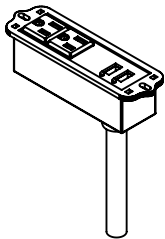
4
QTY. 1



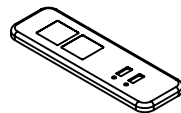
5
QTY. 1



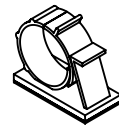
6
QTY. 1



7
QTY. 1

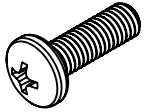


8
QTY. 1



9
QTY. 3
Cord Clip
[Peel and stick, use as needed.]

1A
M5 X15MM
QTY. 6



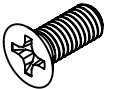
1B
M5 LOCK WASHER
QTY. 6



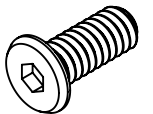
1C
M5 FLAT WASHER
QTY. 6



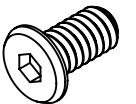
1D
M5 X15MM
QTY. 4



1E
1/4-20 X 5/8"
QTY. 8



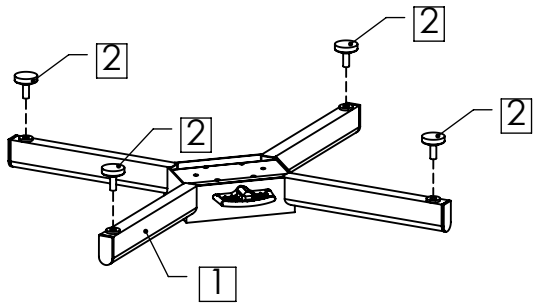
1F
1/4-20 X 1/2"
QTY. 2



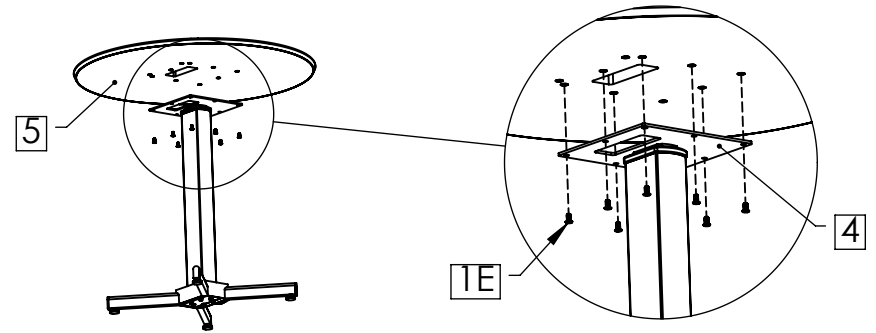
1G
15MM WOOD SCREW
QTY. 2



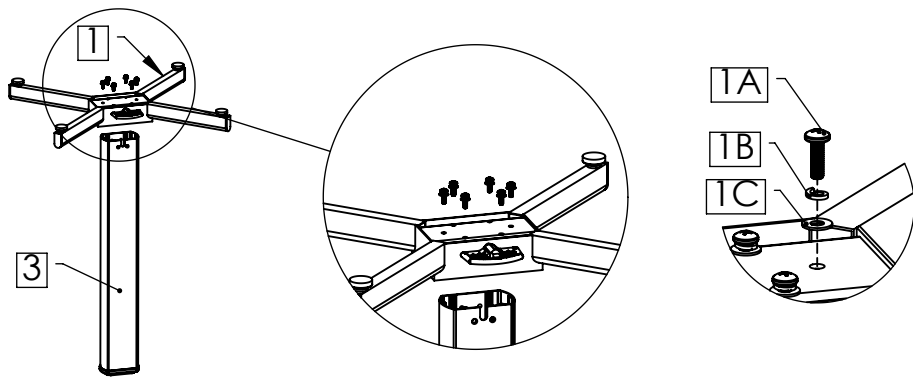
1 Flip over base [1]. Insert leveling feet [2] in 4 places.



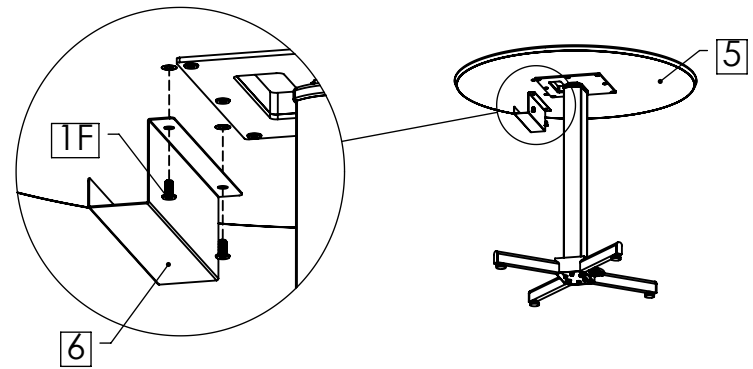
4 Attach table top [5] to mounting plate [4] using mounting screws [1E] x8.



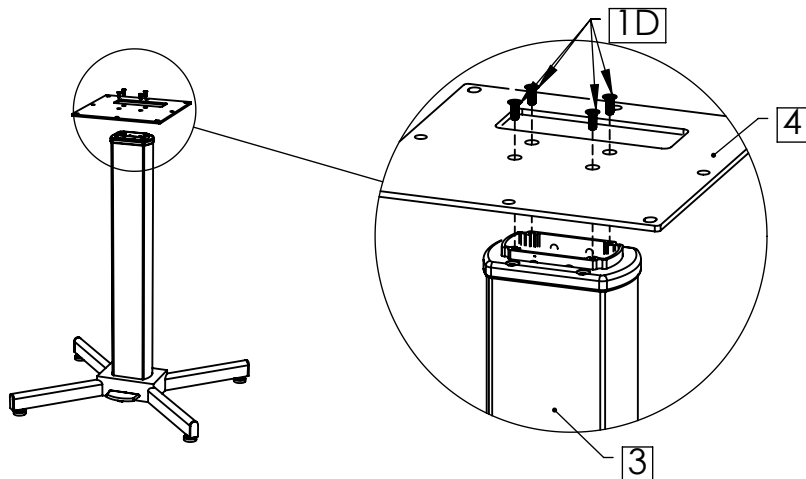
2 Attach center post [3] to base [1] using connection hardware [1A, 1B, 1C] in 6 places.



5 Attach cord management tray [6] to table top [5] using mounting screws [1F] x2.



3 Attach mounting plate [4] to center post [3] using screw [1D] x4.



6 Insert power strip [7] into tabletop. Secure using wood screws [1G] x2. Press facia cover [8] onto power strip to secure.

