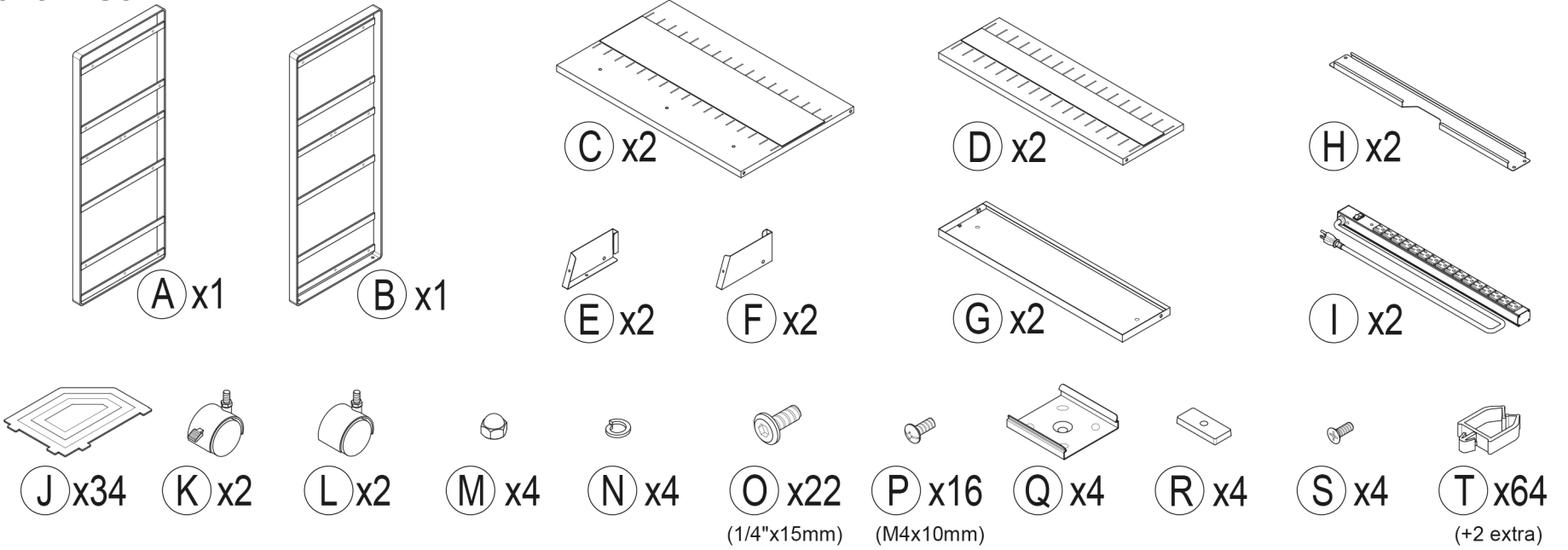
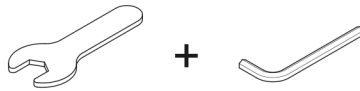




Part List



Tools Included:

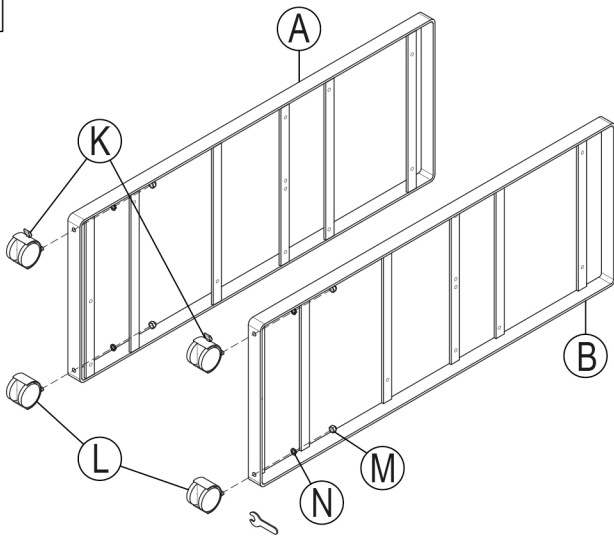


Tools Needed:

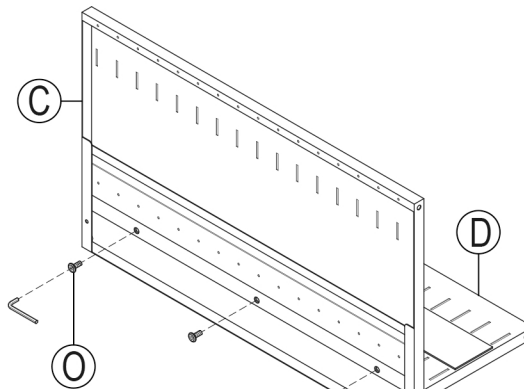


SS-L0TM32-BL
Assembly Instructions

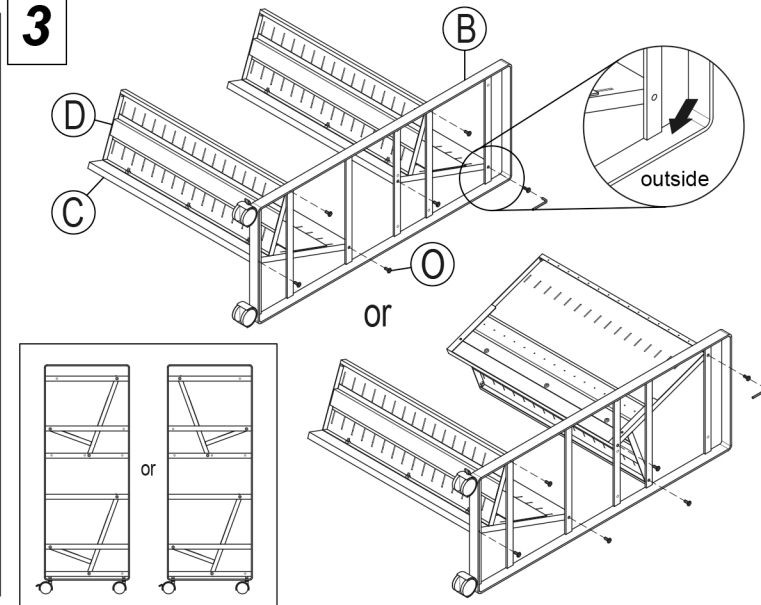
1



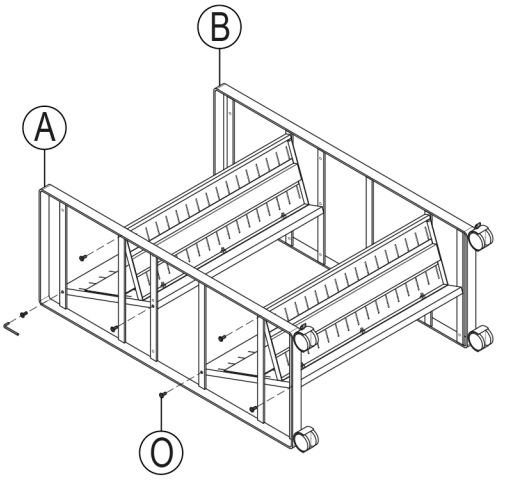
2



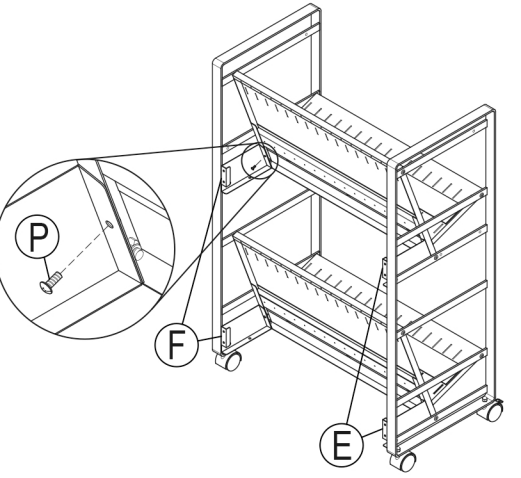
3



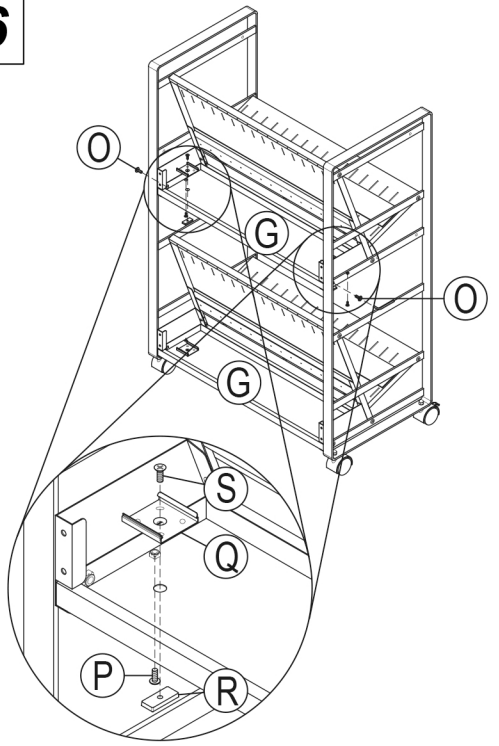
4



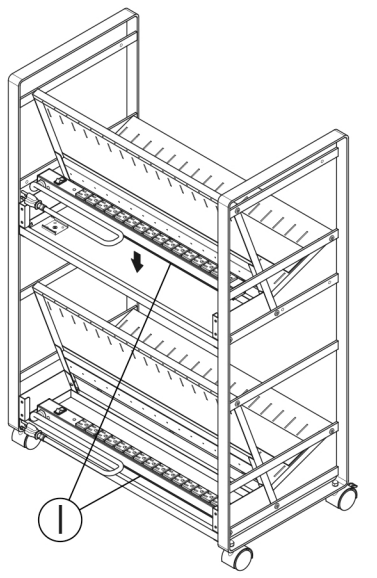
5



6



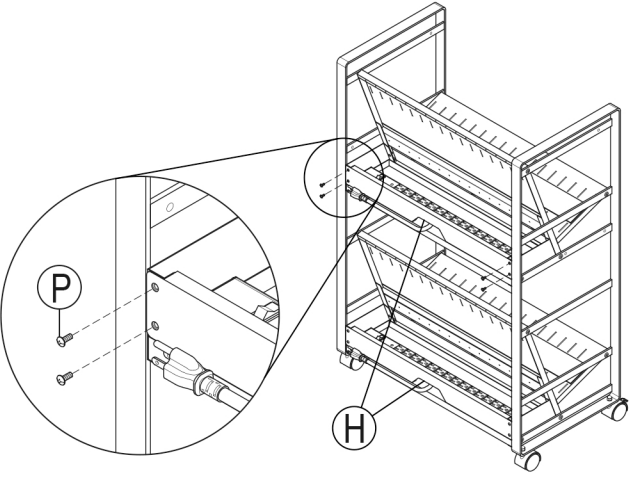
7



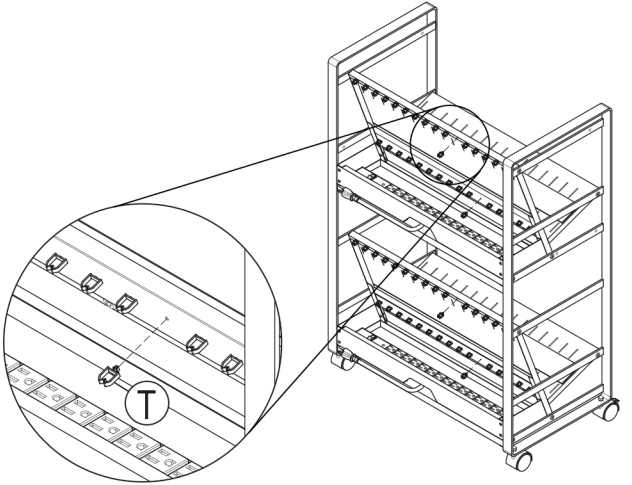
Note: Press power strip into bracket to secure

Note: Top shelf can be installed facing in either direction.

8



9



10

