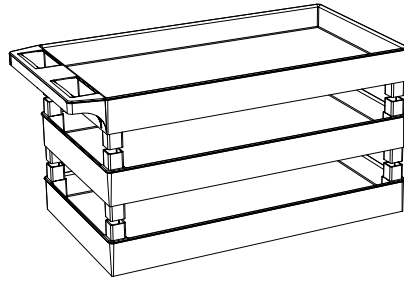


Parts List



A x1

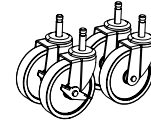
C x1

B x1

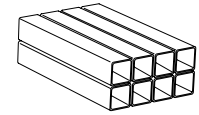
Tools Required

- Rubber Mallet

D x2



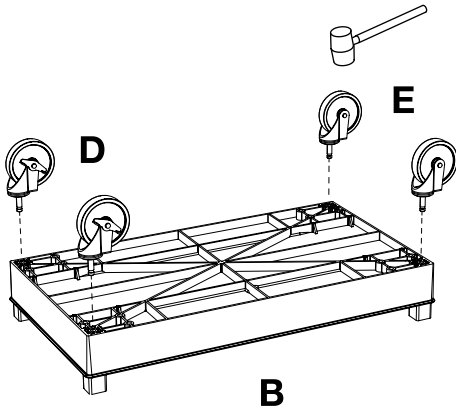
E x2



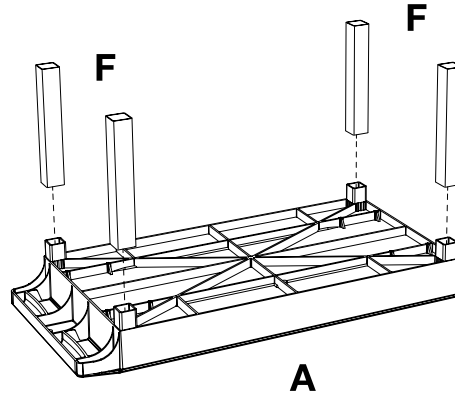
F x8

3 Shelf 18 x 32 Tub Cart Instructions

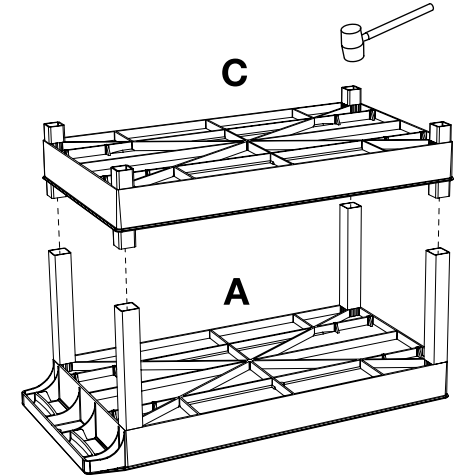
1



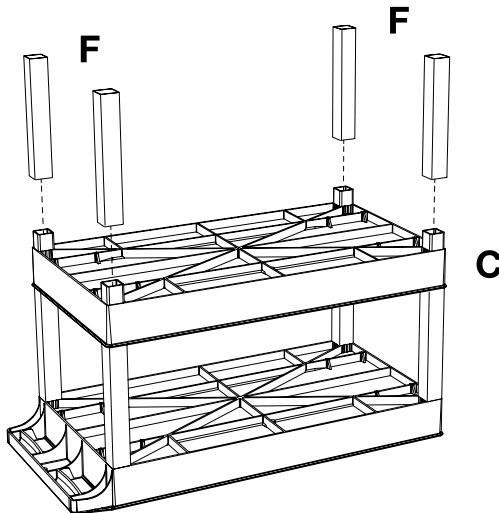
2



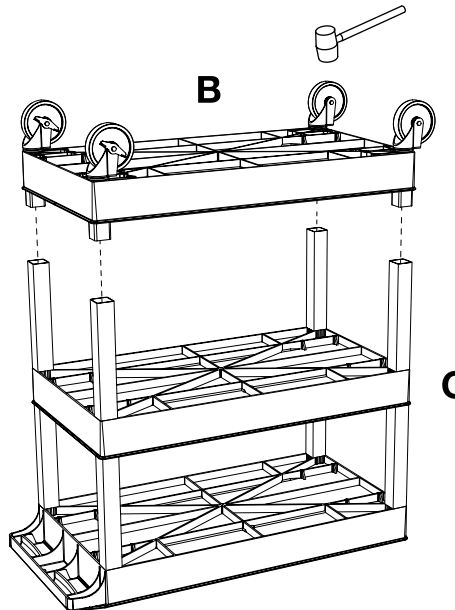
3



4



5



6

