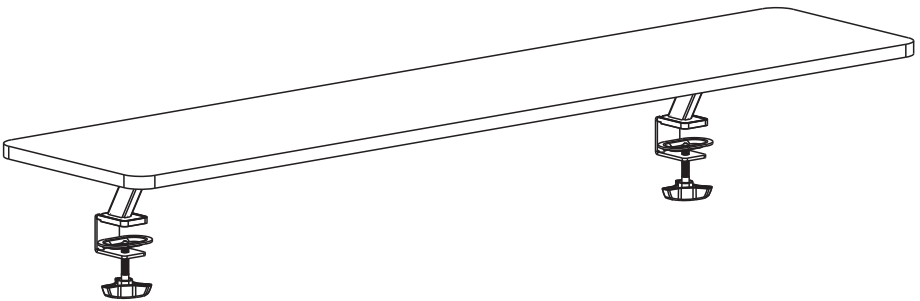
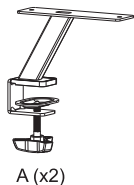


# 55" Clamp-on desk shelf

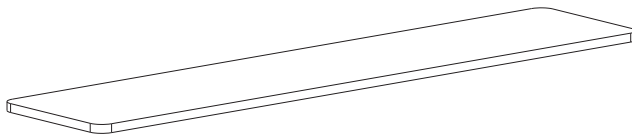


**ATSH5512/ATSH5512WH/  
ATSH5512CH/ATSH5512AM**





A (x2)



B (x1)



C (x4)



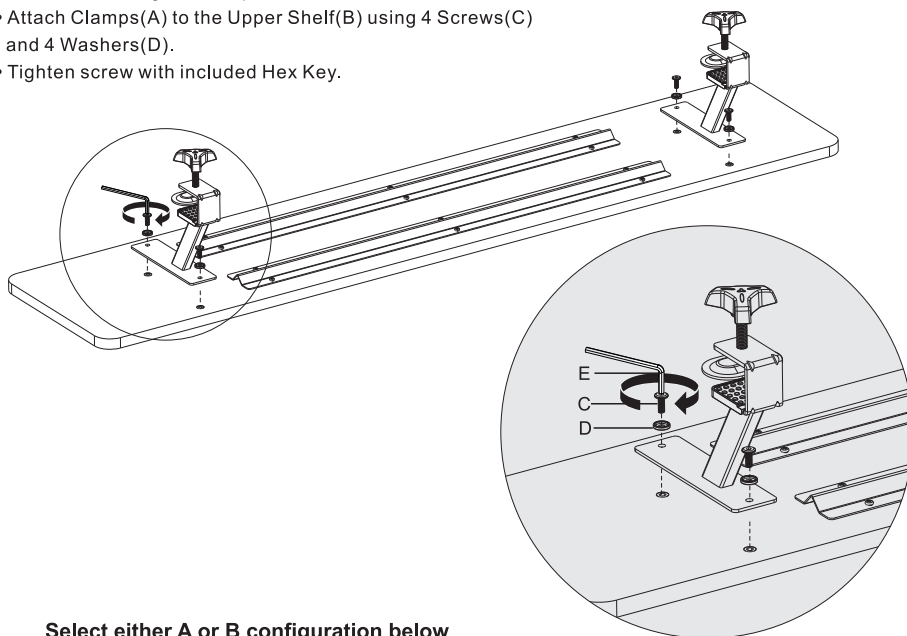
D (x4)



E (x1)

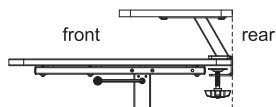
### Attaching the Desk Clamps

- See below configuration options. Select one.
- Attach Clamps(A) to the Upper Shelf(B) using 4 Screws(C) and 4 Washers(D).
- Tighten screw with included Hex Key.



Select either A or B configuration below based on your shelf position.

- A.** Flush mount the shelf against the back wall or divider



- B.** Extends the shelf beyond the rear of the desk for more forward work space

