

WIZARDING  
WORLD

# Harry Potter



hidden forest forbidden



3D  
PUZZLE

CONTACT THE MINISTRY  
IF YOU HAVE

MAGICAL  
FEATURES

YOU-KNOW-WHO'S  
HAT EVER



73  
PCS

8+



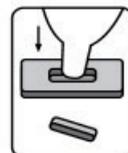
KNIGHT BUS™ |

3D Puzzle

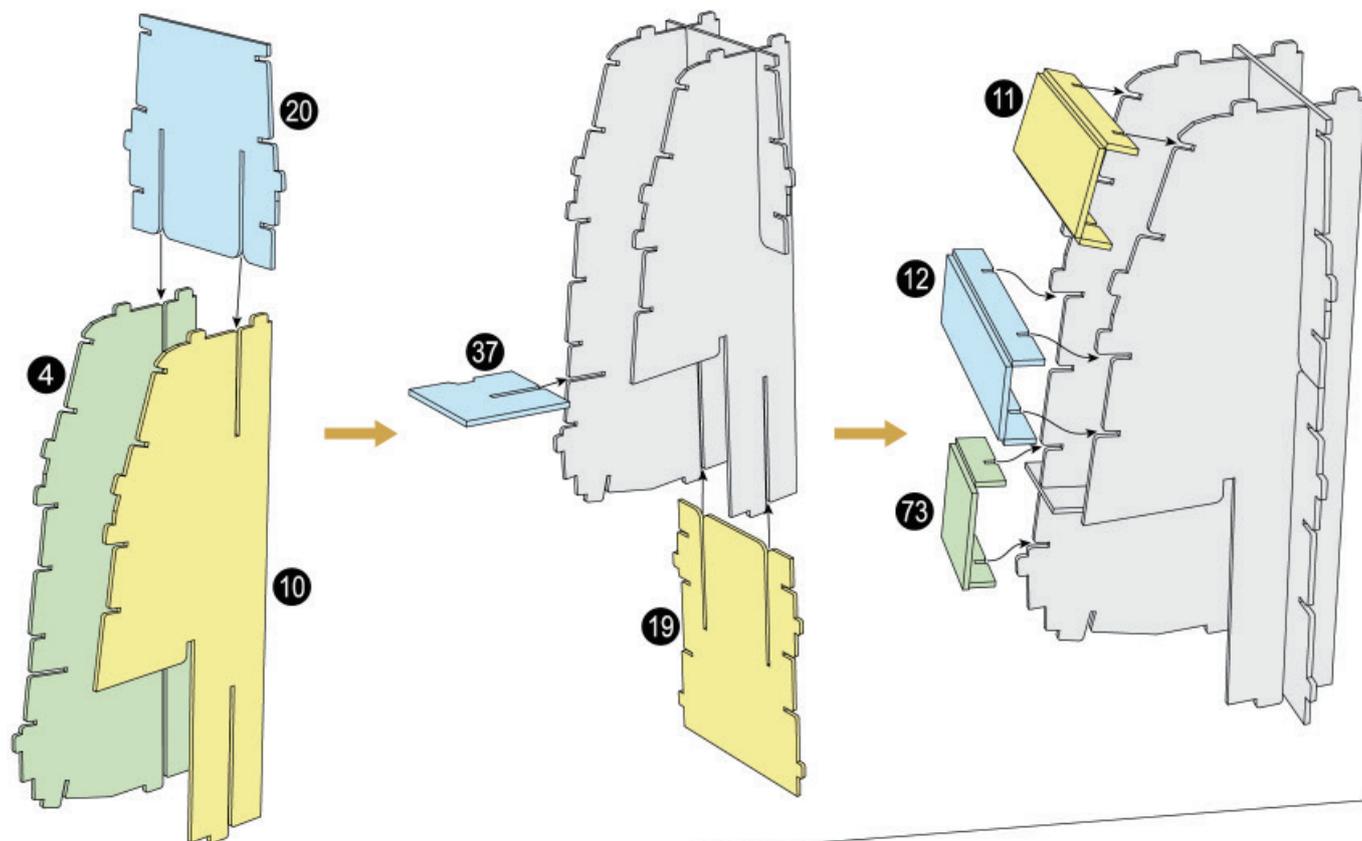
# The Knight Bus™



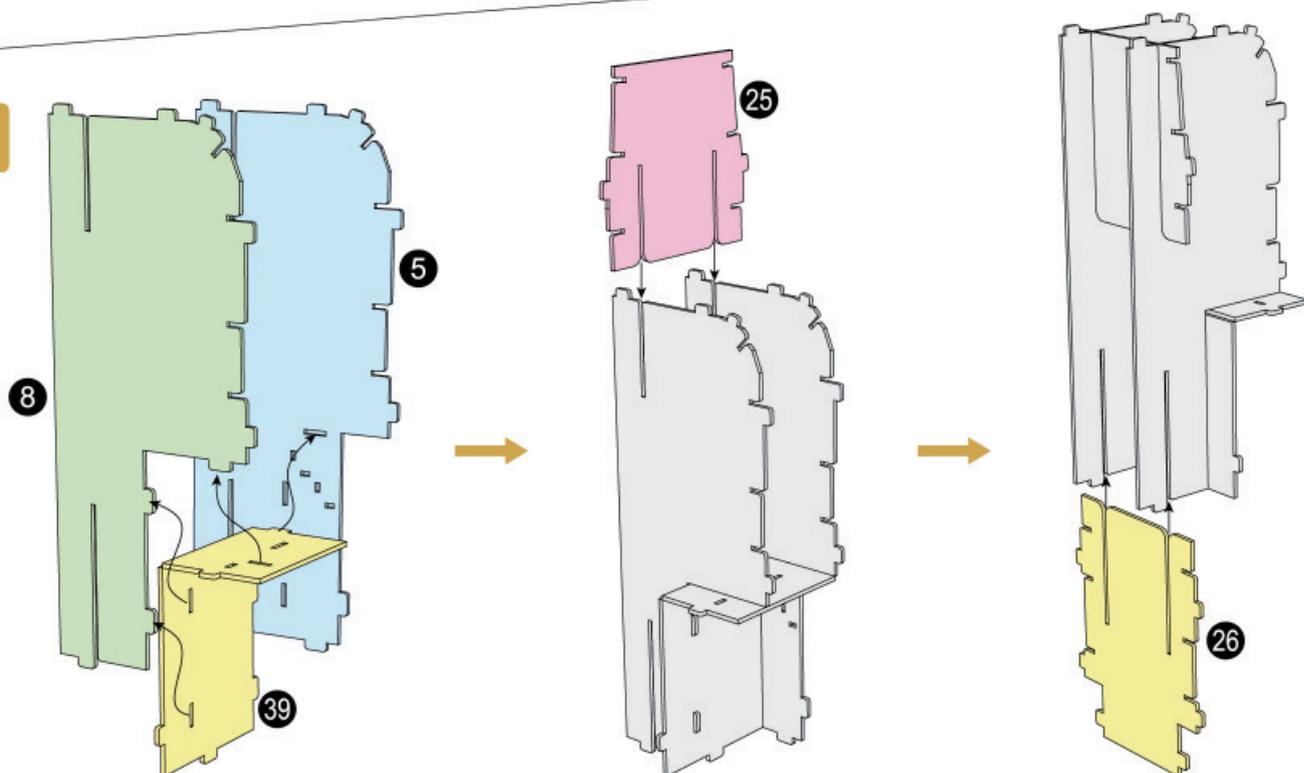
X 1 p 3/6



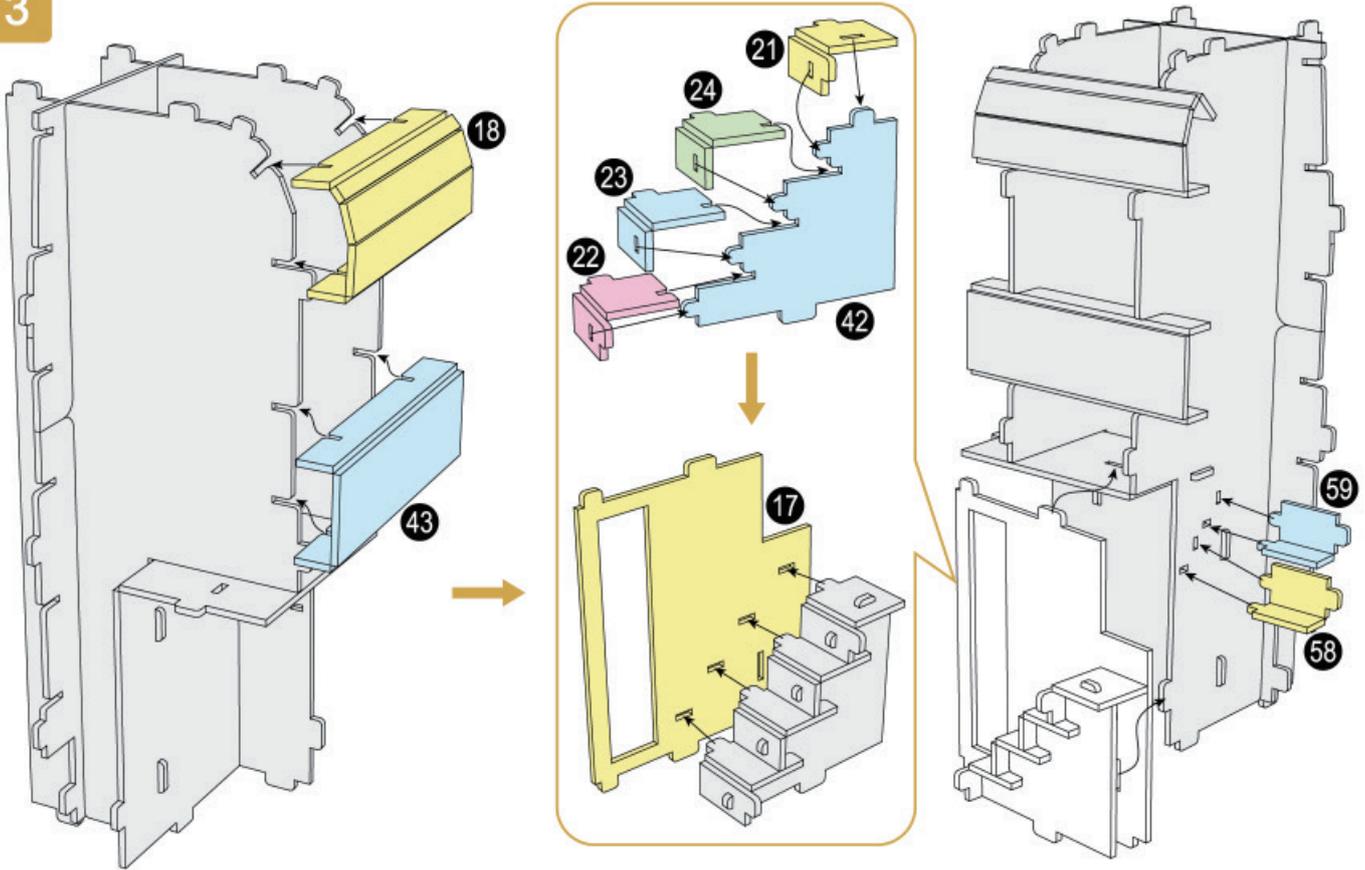
1



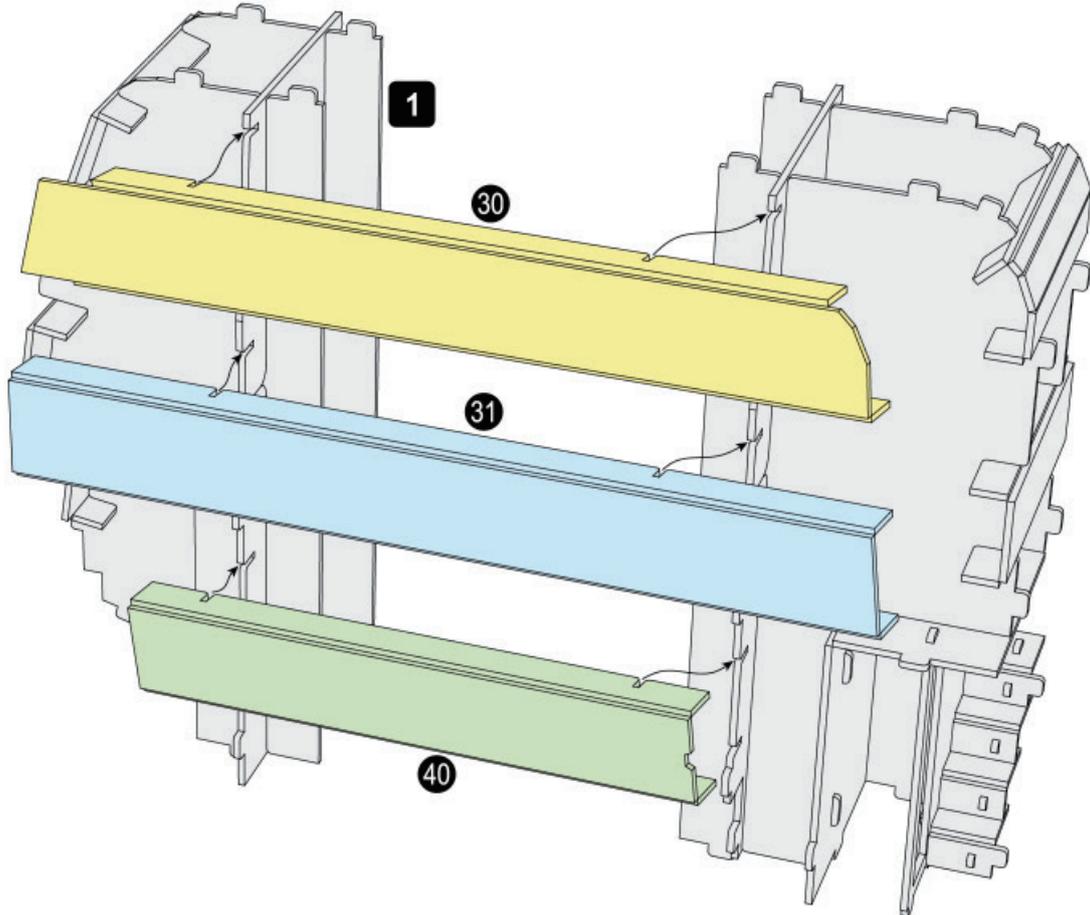
2



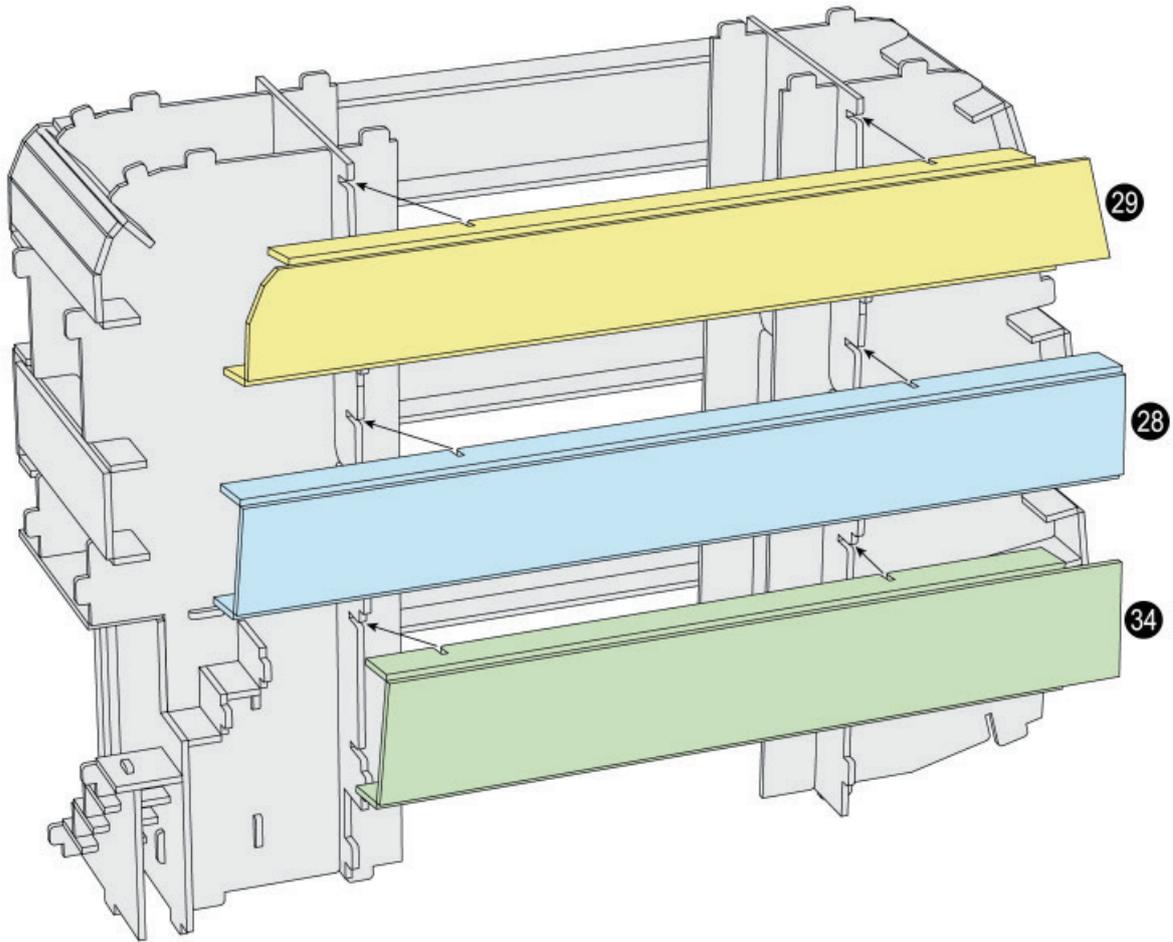
3



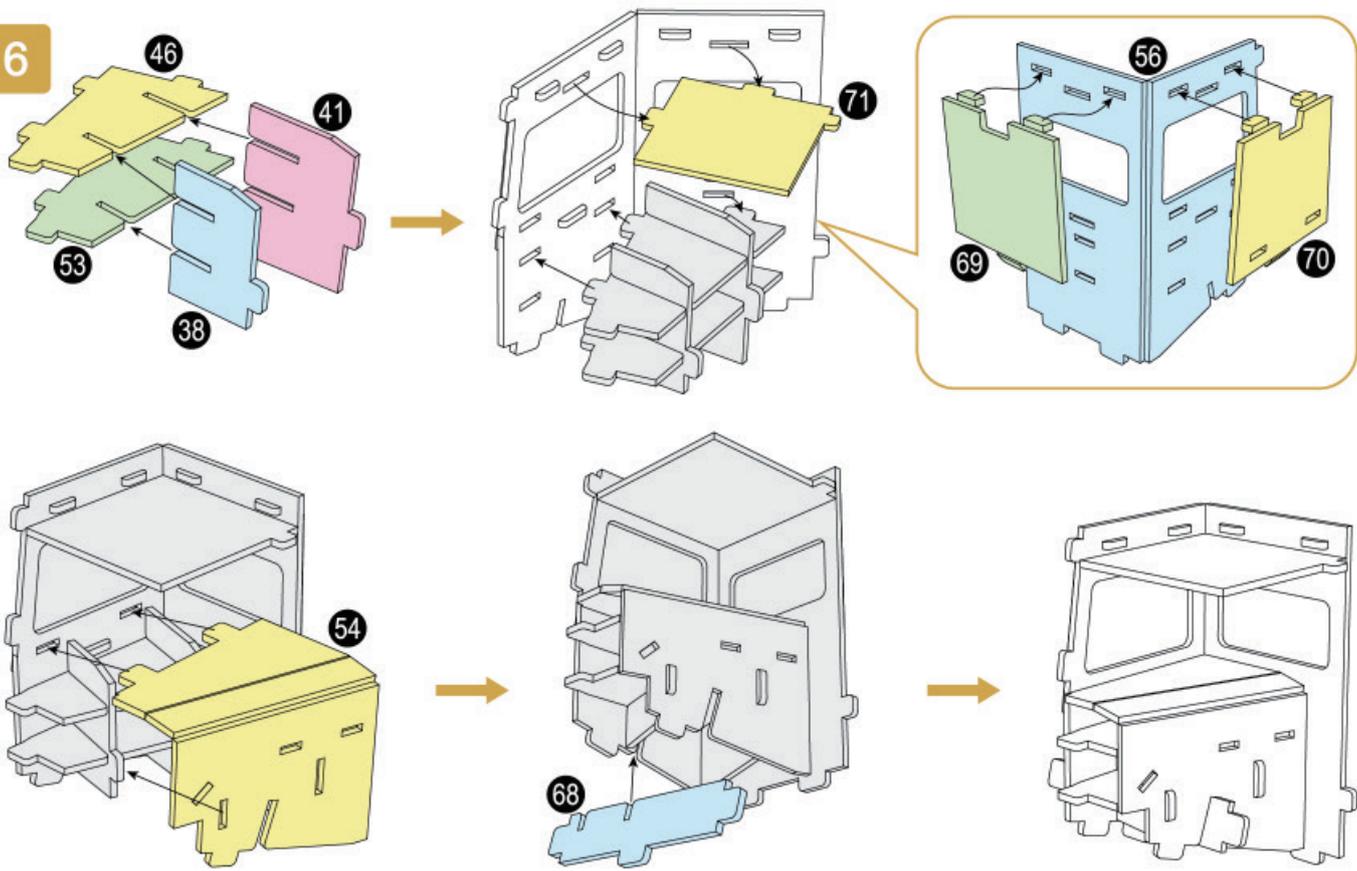
4



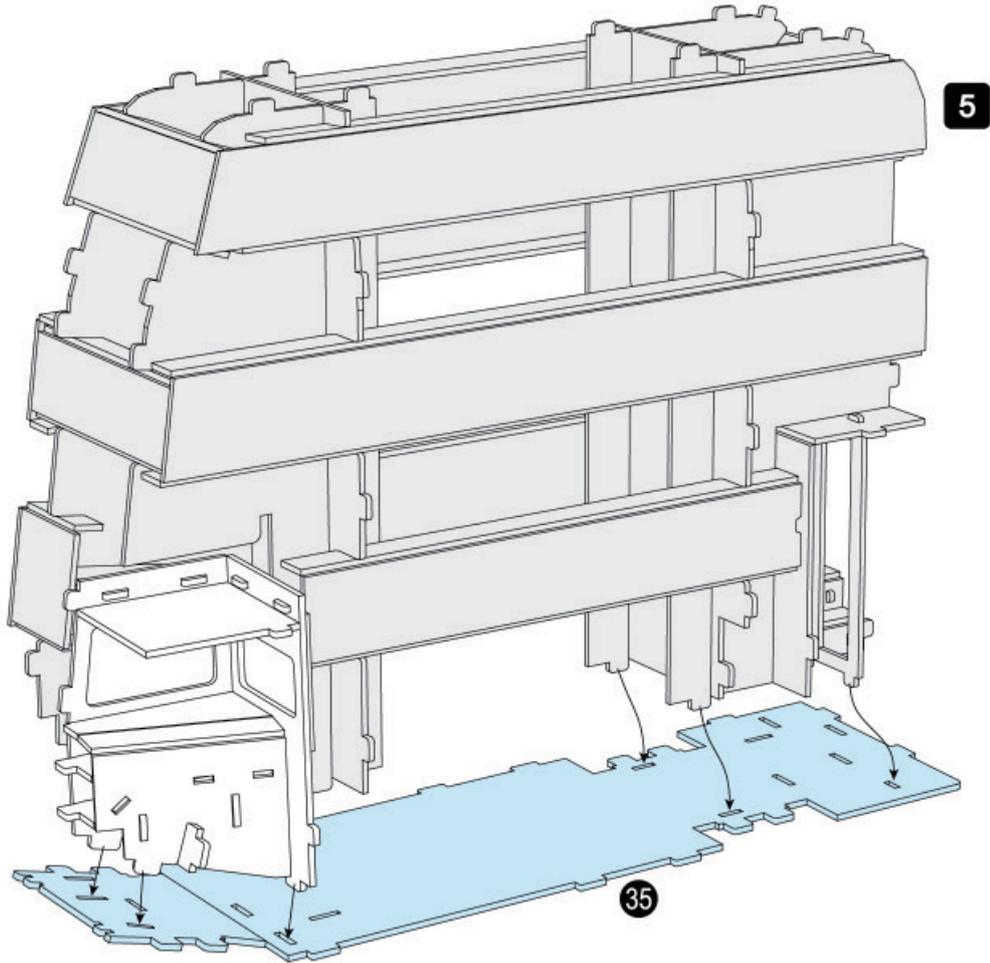
5



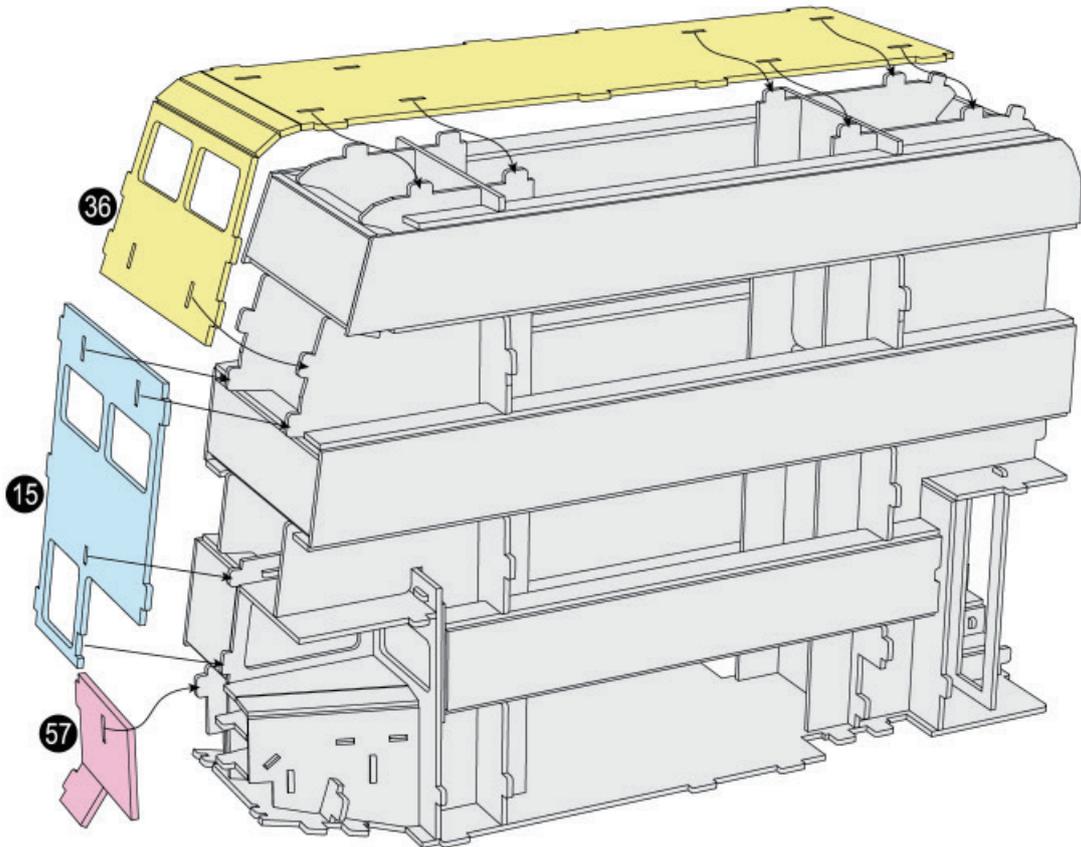
6



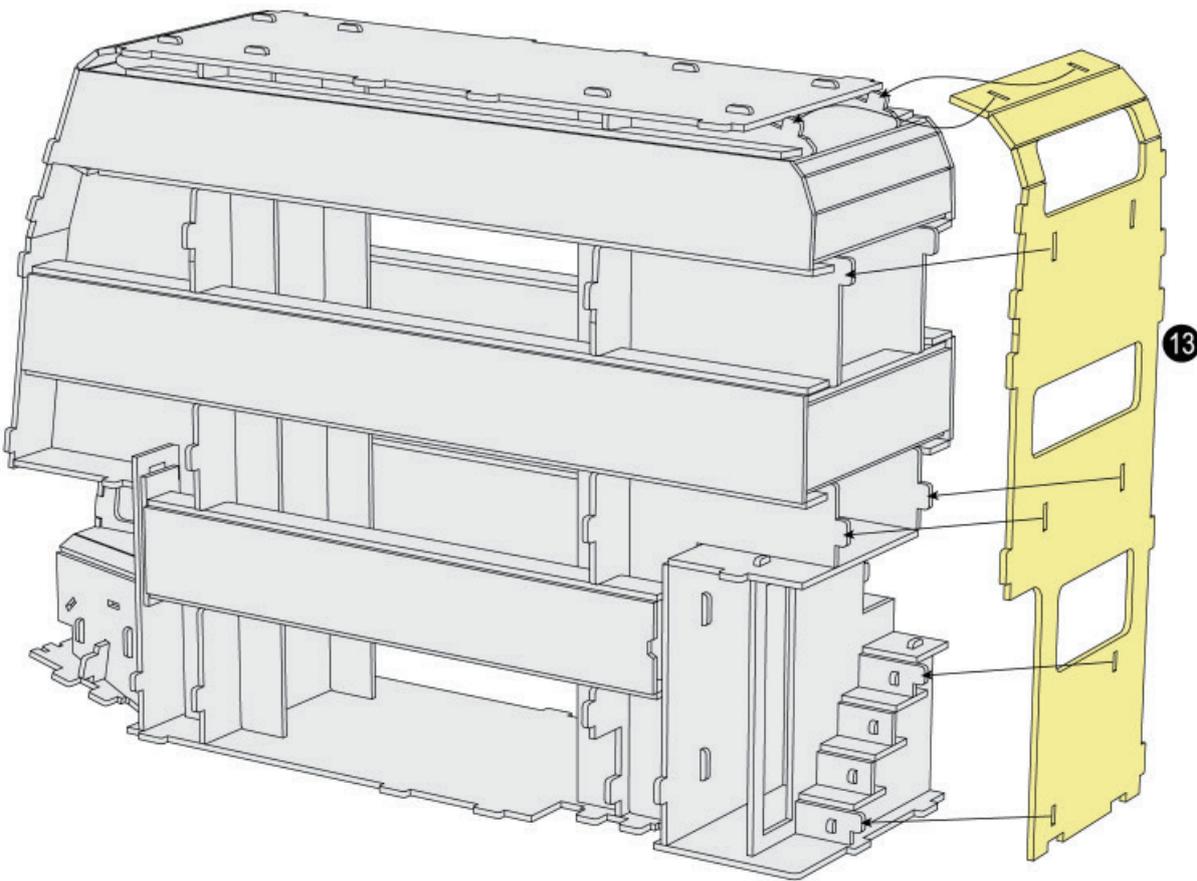
7



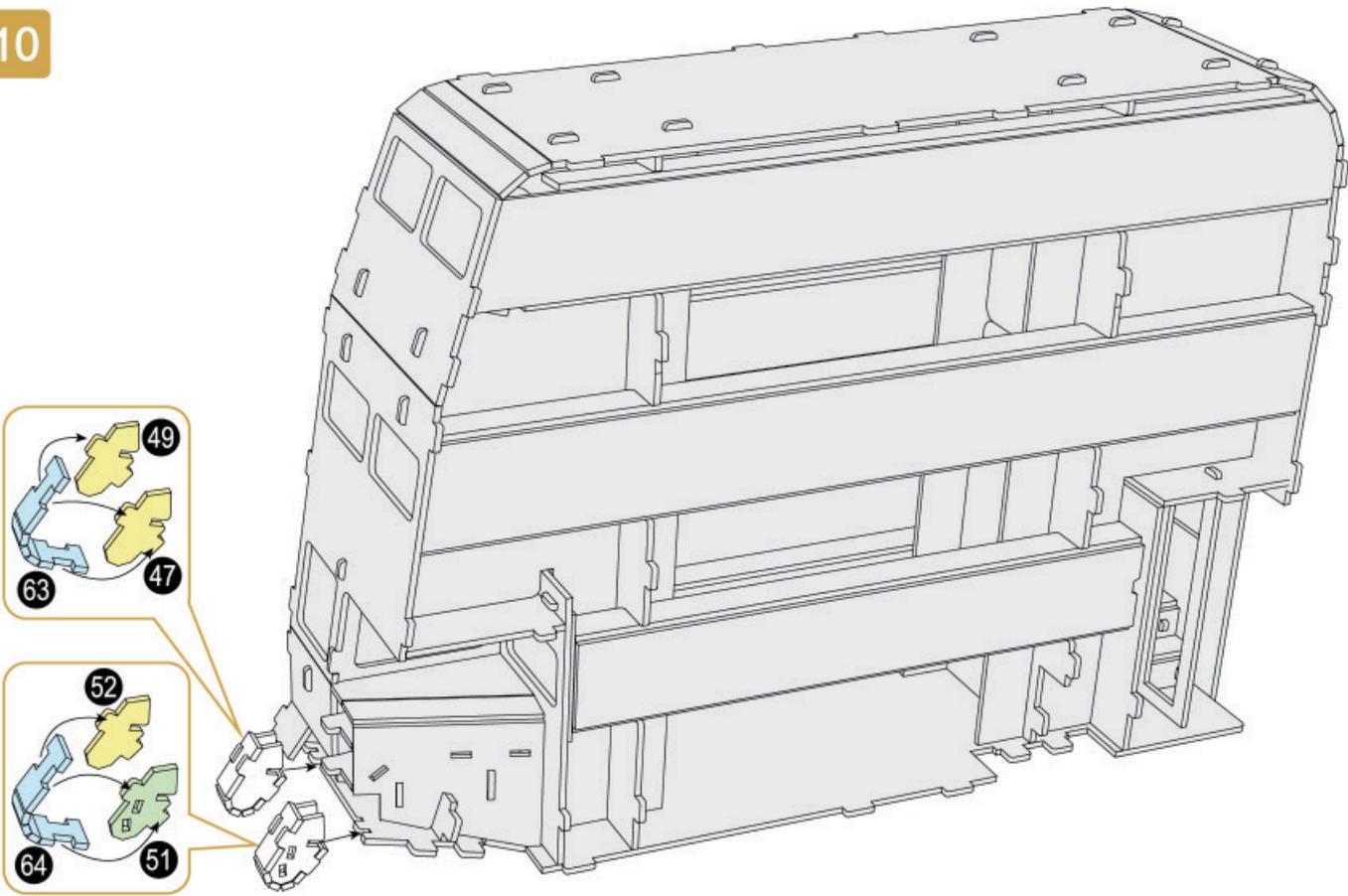
8



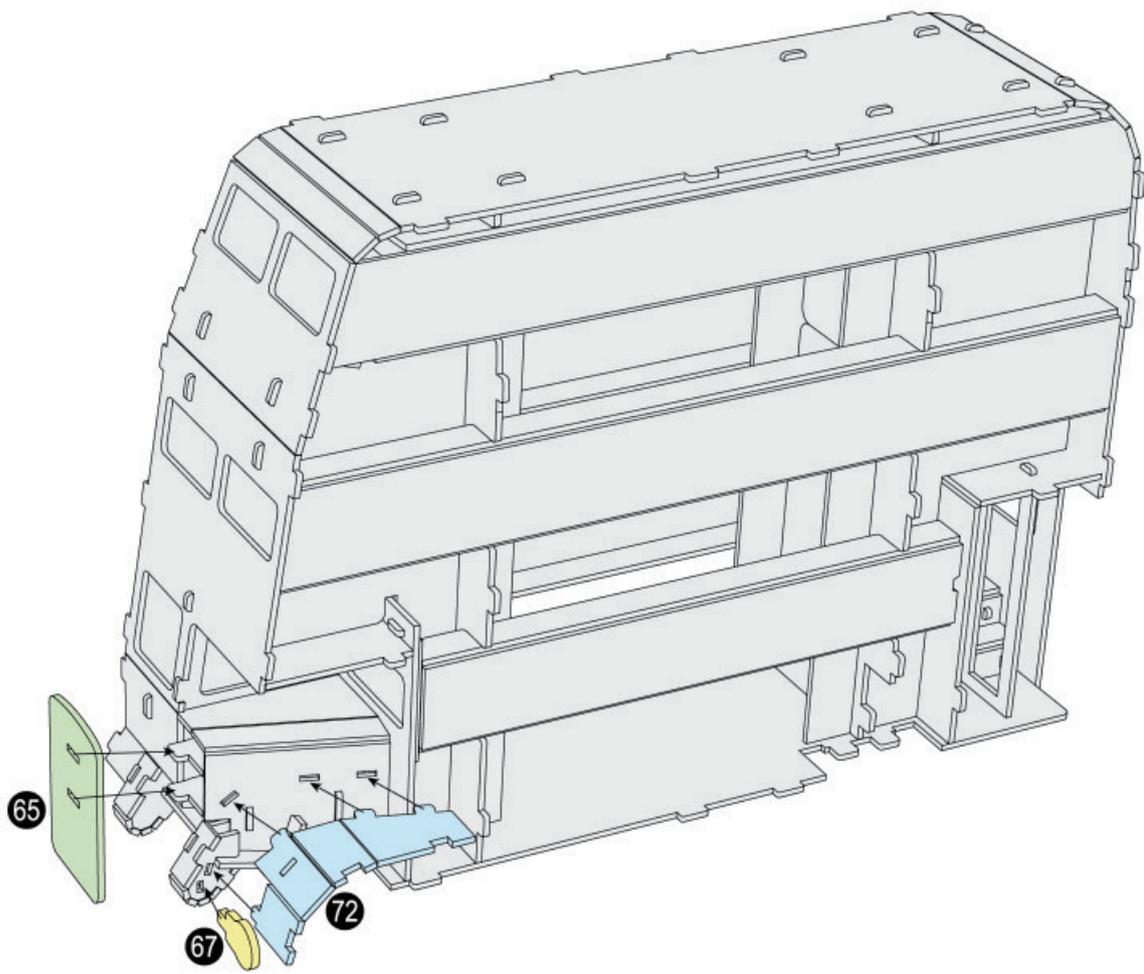
9



10



11



12

