

WIZARDING  
WORLD

# Harry Potter



hidden forest forbidden

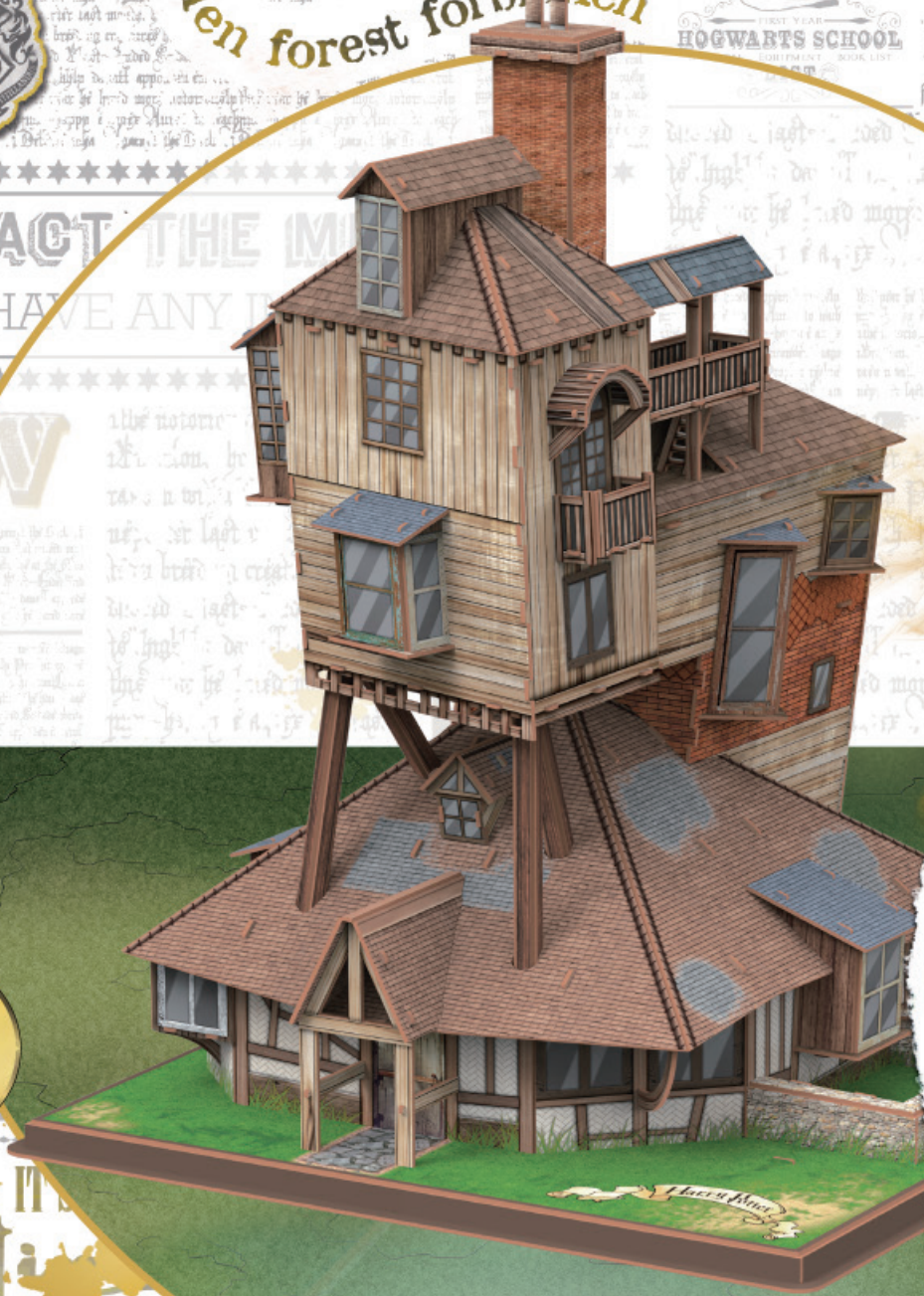


3D  
PUZZLE

CONTACT THE MAILING LIST  
IF YOU HAVE ANY QUESTIONS

MAGICAL  
CREATURES

YOU-KNOW-WHO'S SECRET HIDEAWAY



126  
PCS

8+

THE BURROW™ | 3D Puzzle

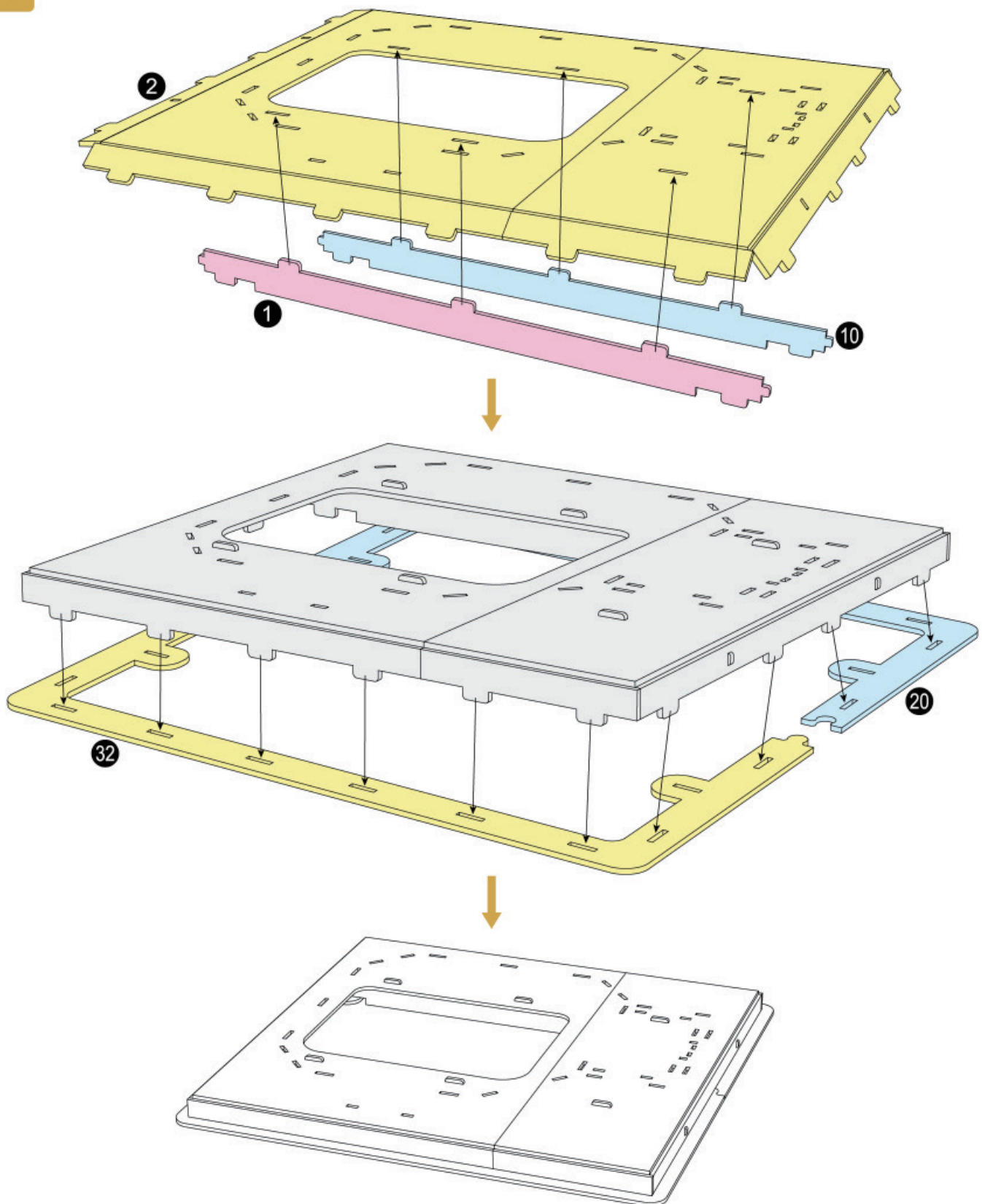
# The Burrow™



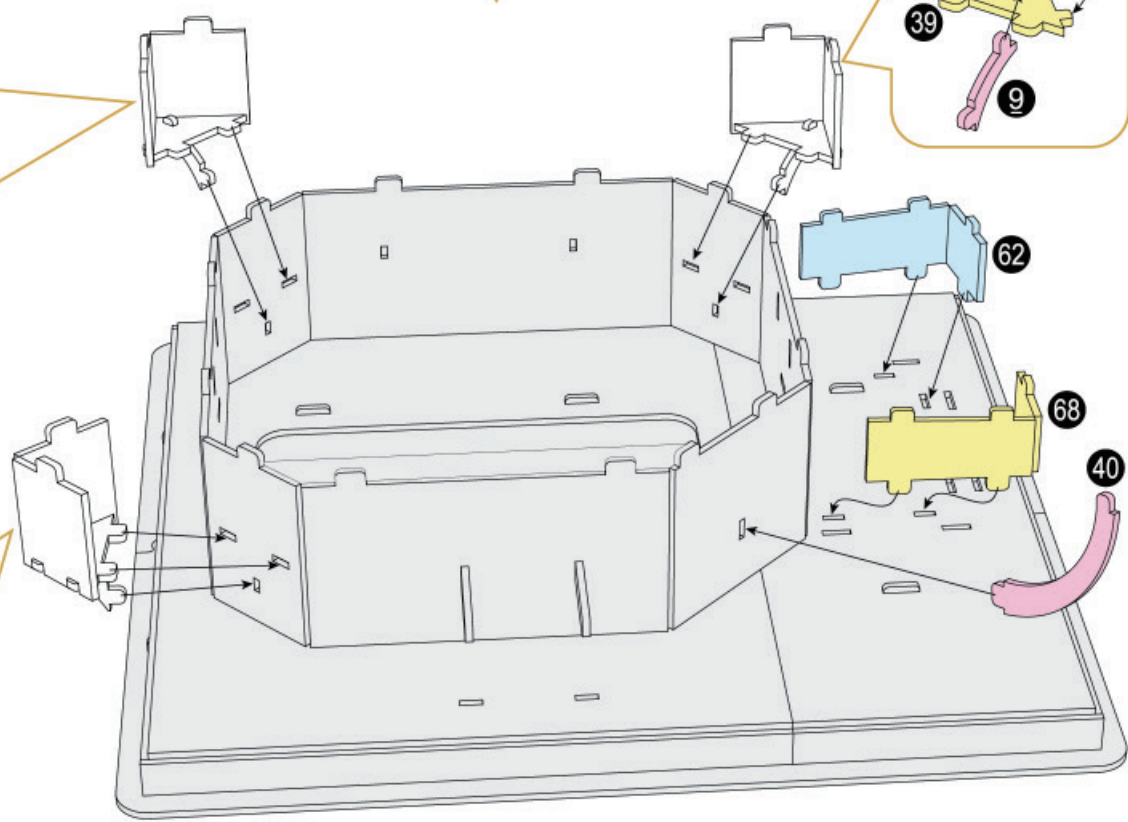
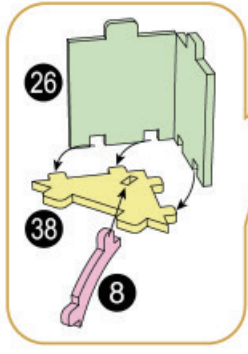
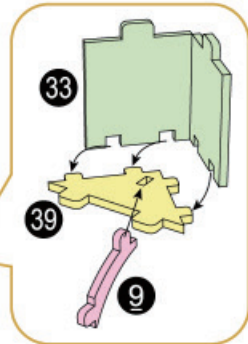
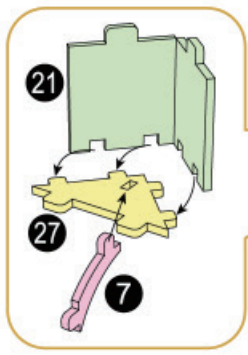
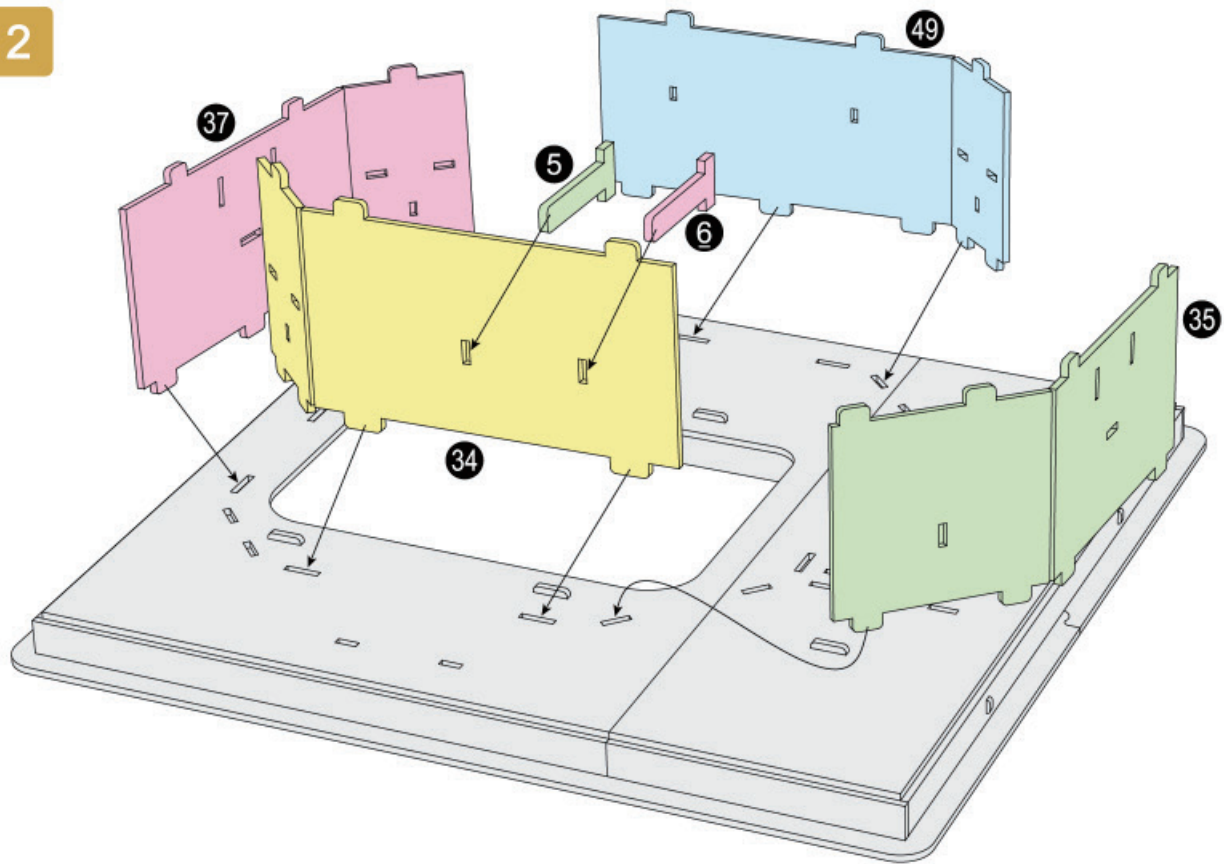
X1 p 4/6



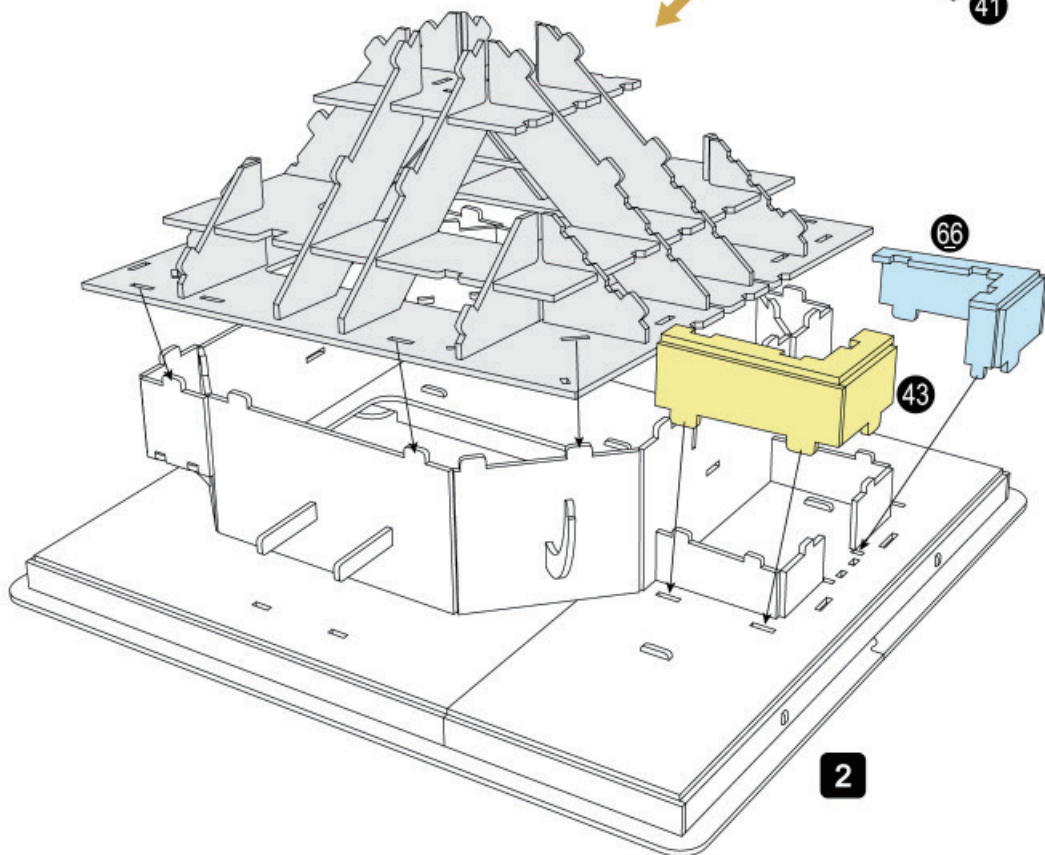
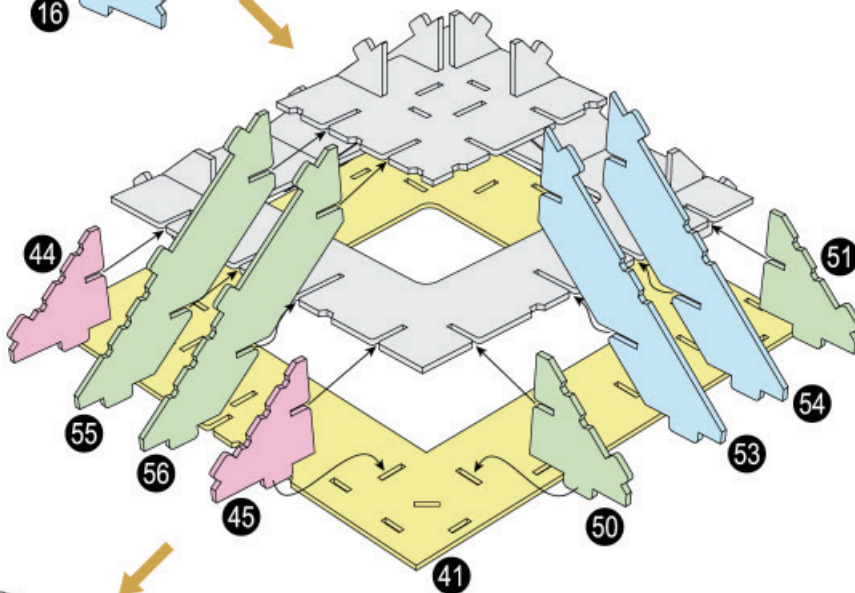
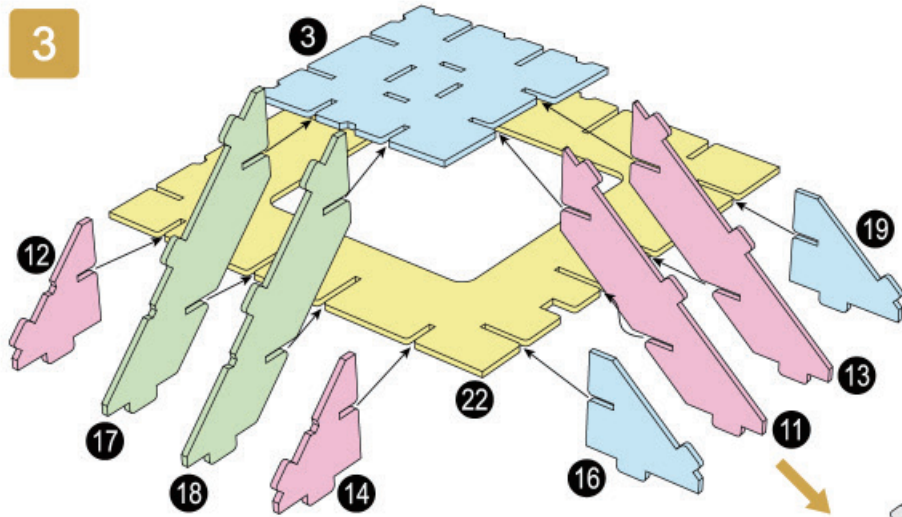
1



2

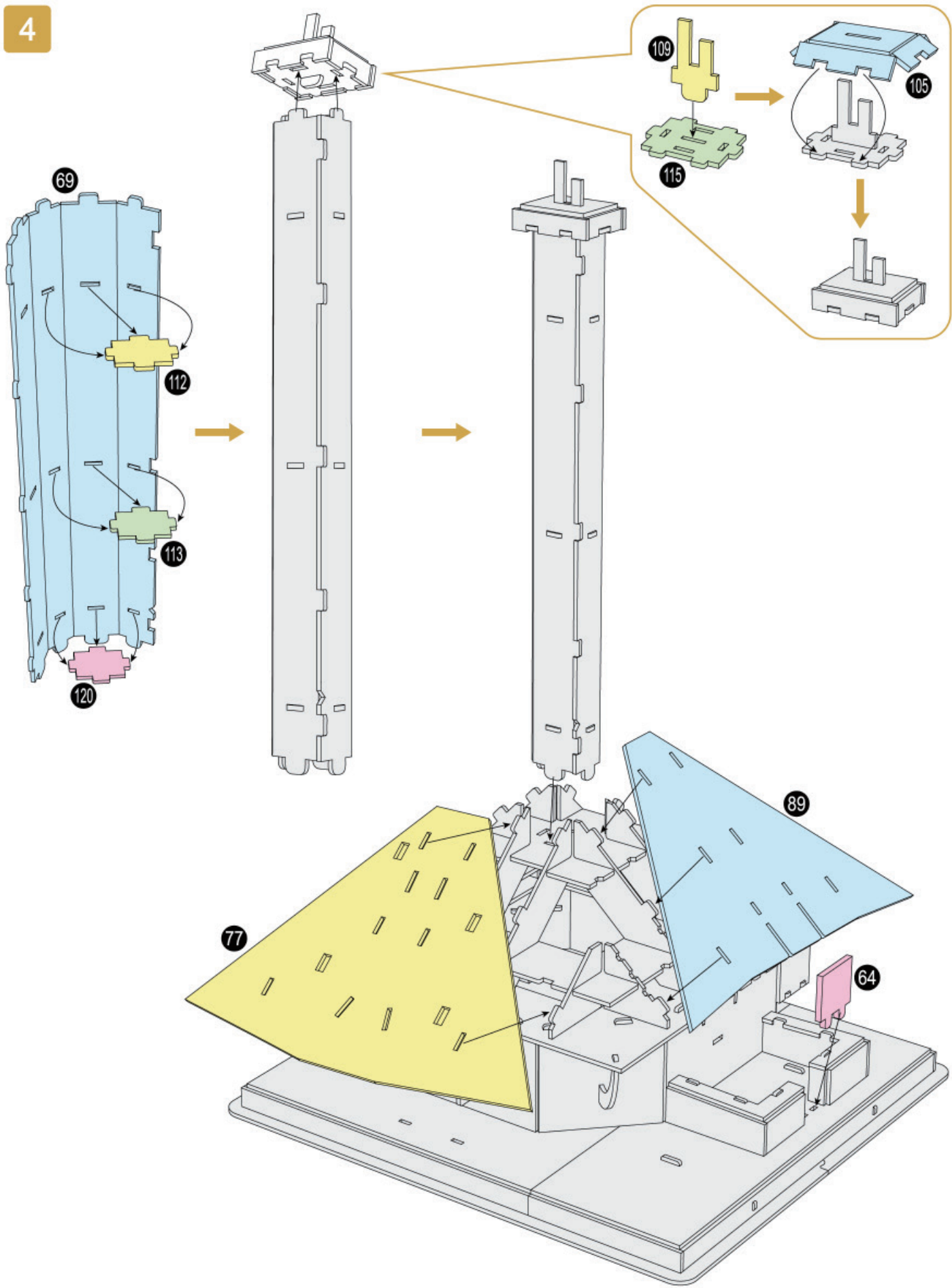


3



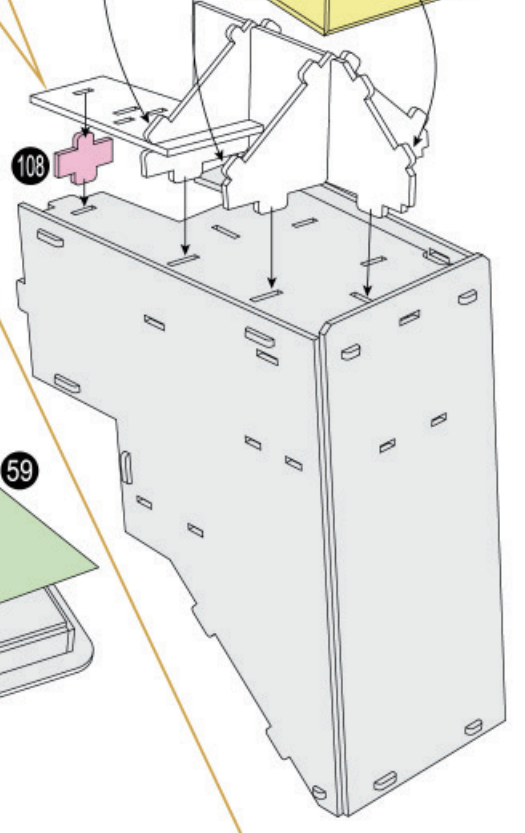
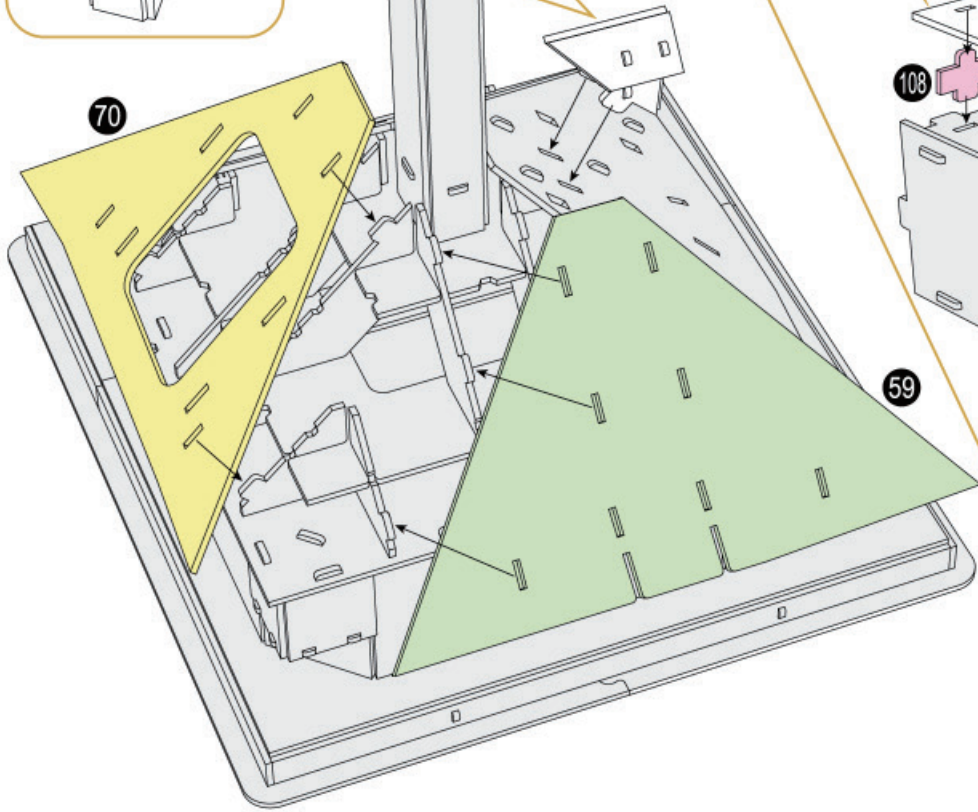
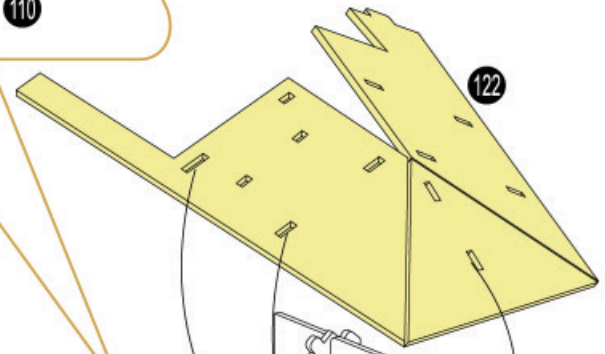
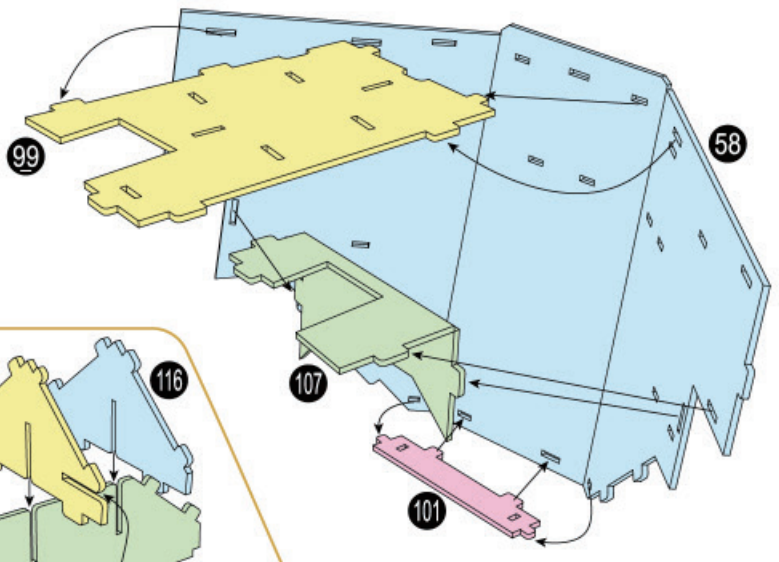
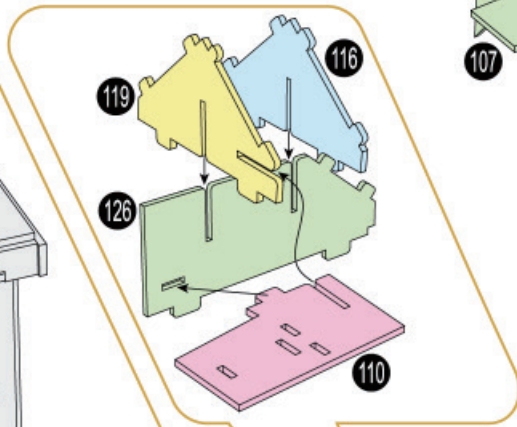
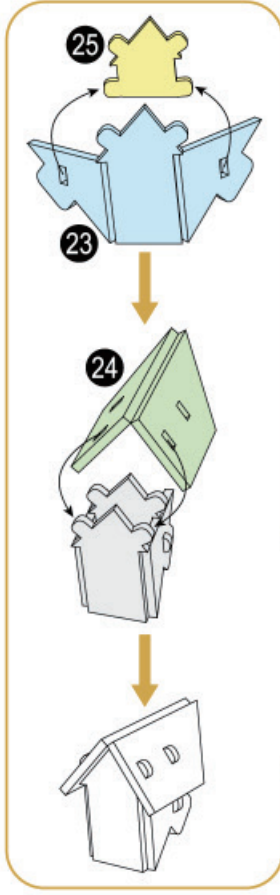
2

4

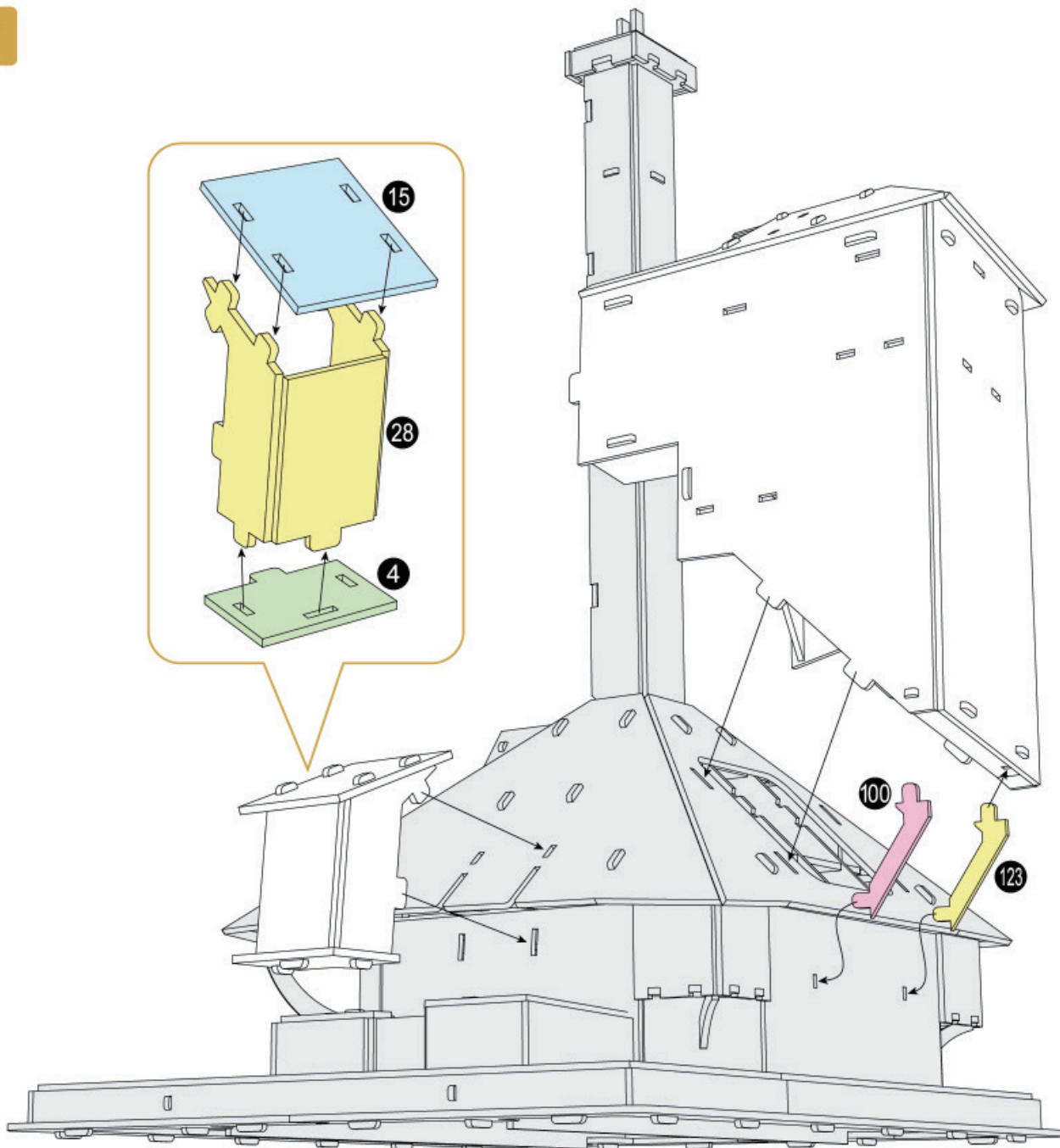


5

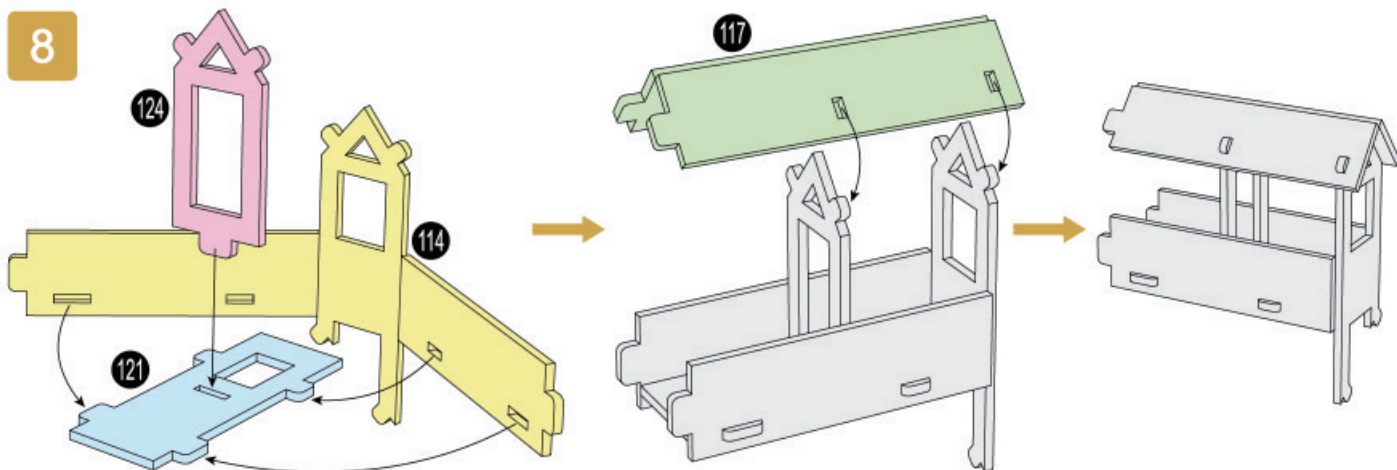
6

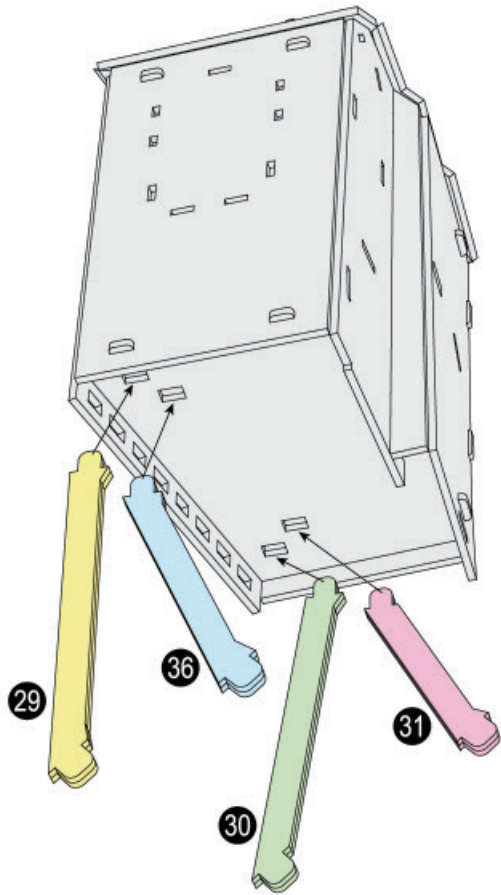
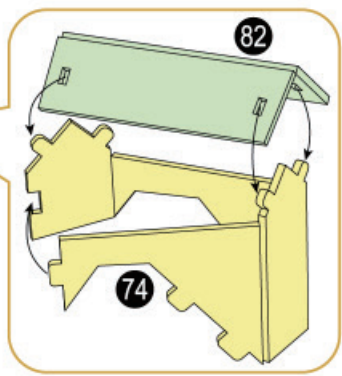
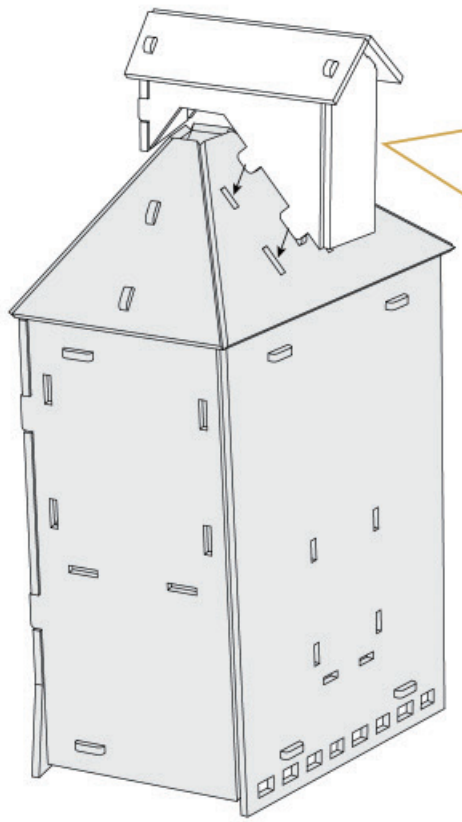
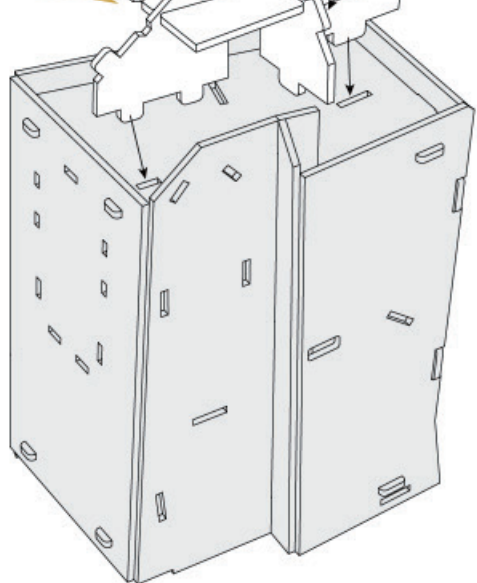
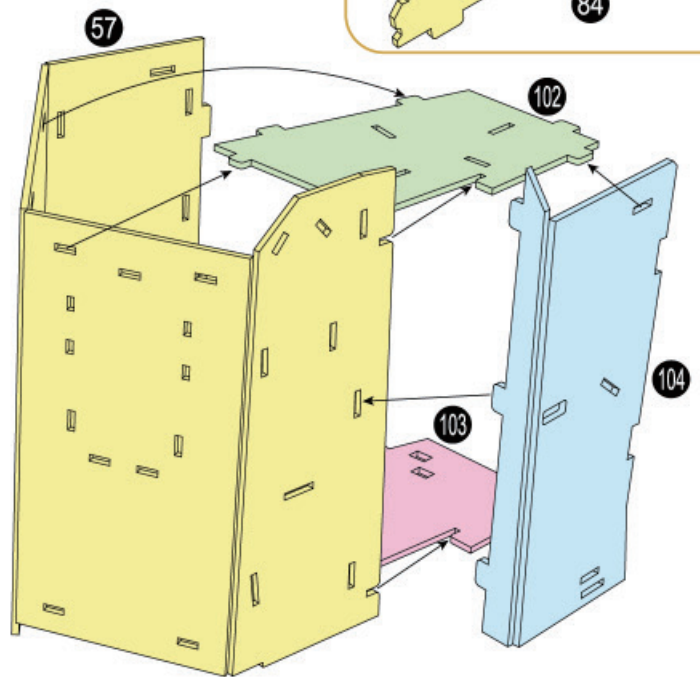
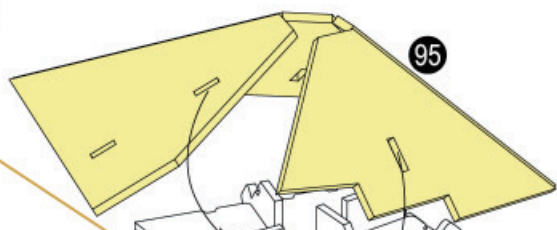
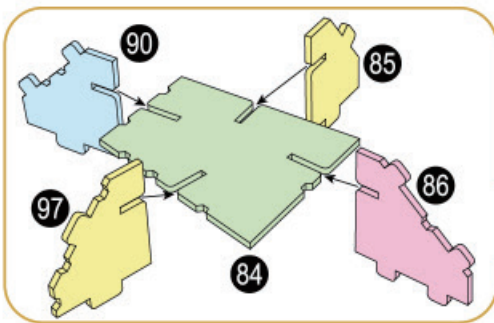


7



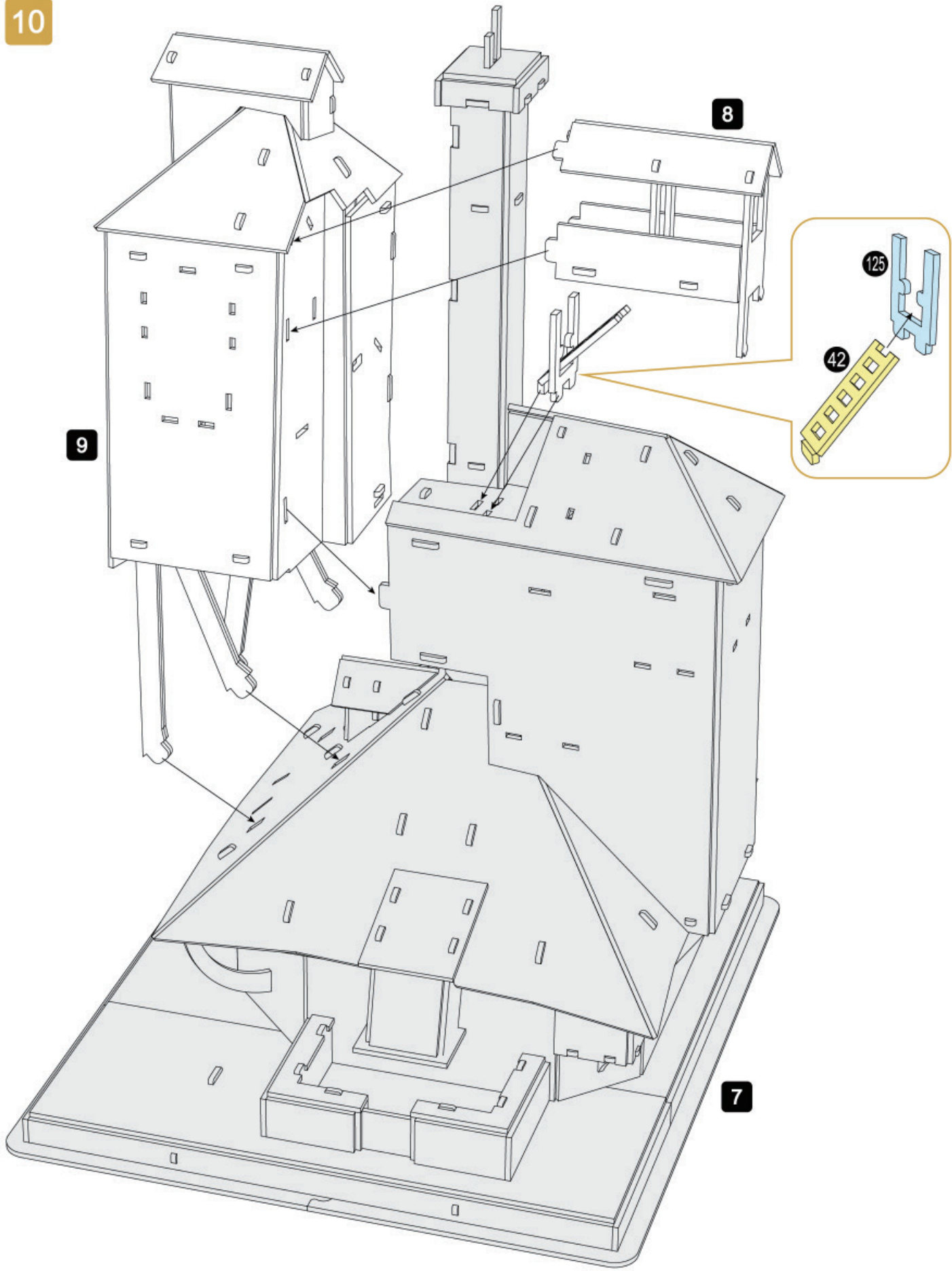
8







10



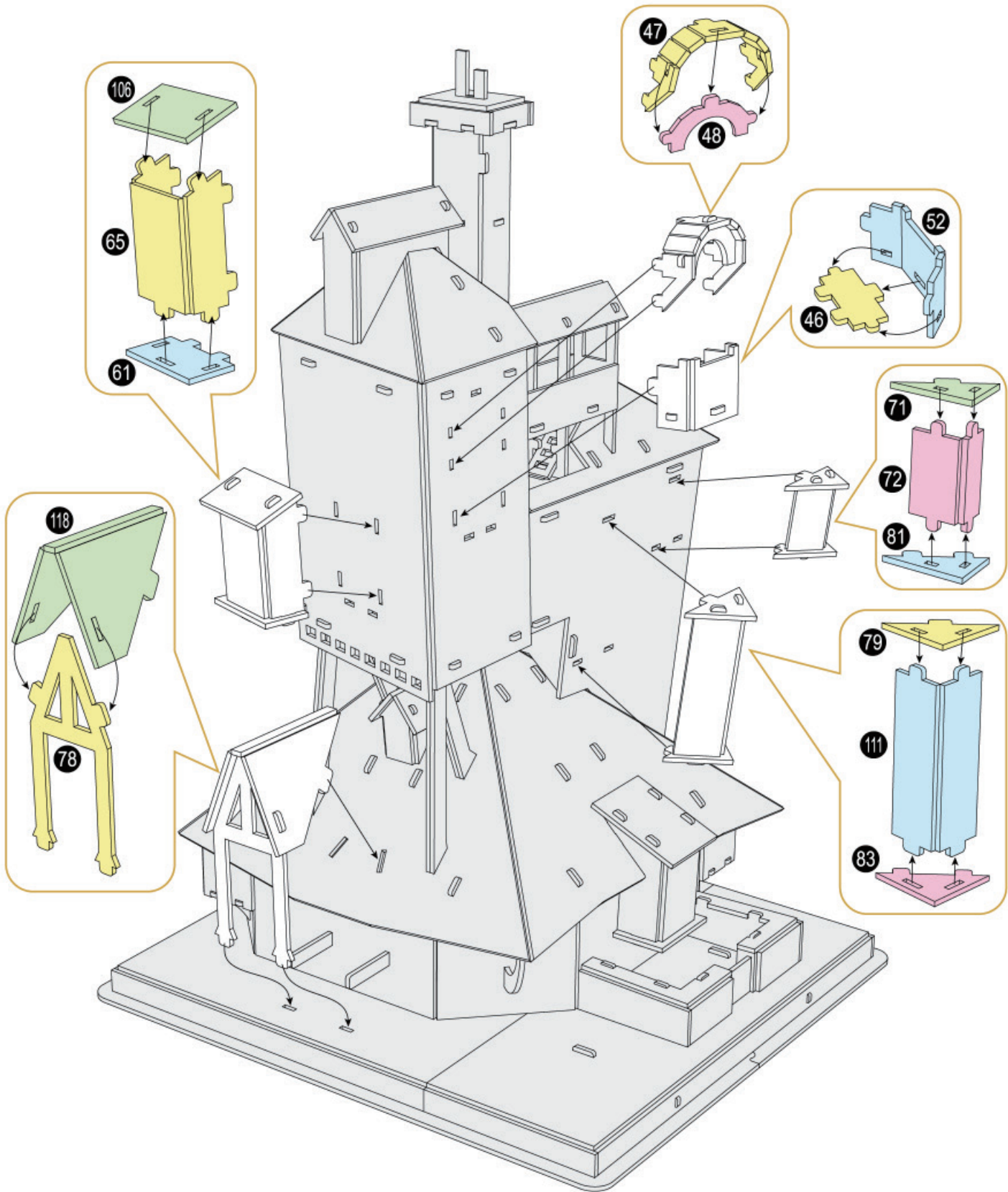
8

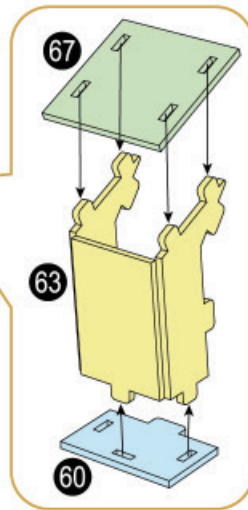
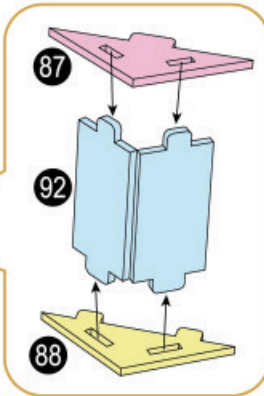
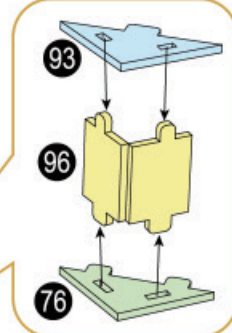
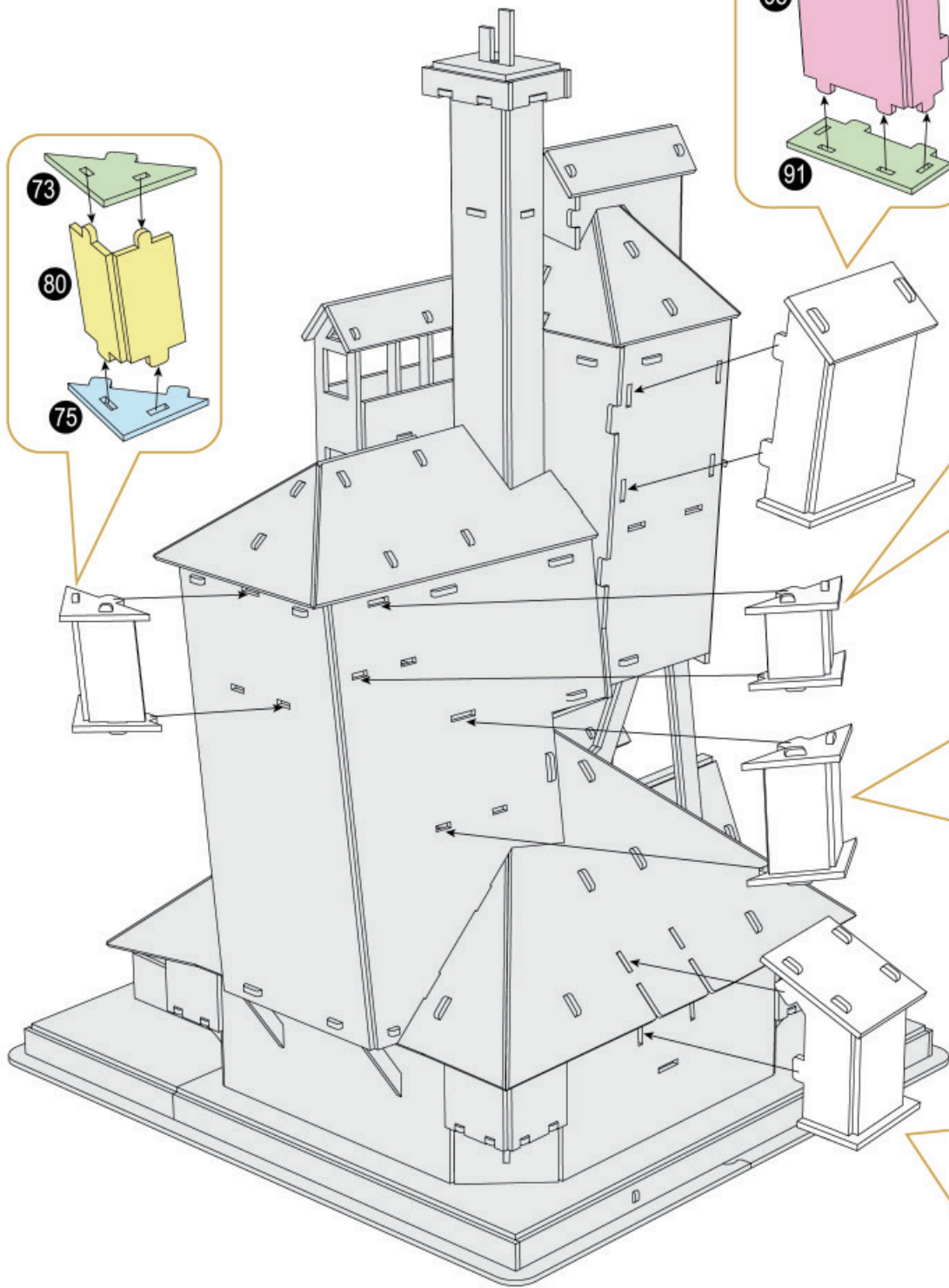
9

7

125

42





The Ministry of Magic is pleased to announce the first year course for the... 
Prohibited forest forbidden

Prohibited forest forbidden



FIRST YEAR HOGWARTS SCHOOL UNIFORM EQUIPMENT BOOK LIST

THE MINISTRY OF MAGIC ONLY INFORMATION



NOTICIE IN PRAZ... (mirrored text)

Notic... (mirrored text)

Notic... (mirrored text)

Notic... (mirrored text)

Notic... (mirrored text)

MAGICAL CREATURES

Magical creatures... (mirrored text)



SEE PAGE 6 FOR MORE INFORMATION

Notic... (mirrored text)

Notic... (mirrored text)



Notic... (mirrored text)

Notic... (mirrored text)

Notic... (mirrored text)

Notic... (mirrored text)

Notic... (mirrored text)

Magical creatures... (mirrored text)

Magical creatures... (mirrored text)

Magical creatures... (mirrored text)



HARRY POTTER characters, names and related indicia are © & TM Warner Bros. Entertainment Inc. WBS WORLD. WIZARDING WORLD trademark and logo © & TM Warner Bros. Entertainment Inc. Publishing Rights © JKR (2011)



4D Cliscape Inc. P.O. BOX 24 GORMON, ON CANADA L0M-1G0 service@4Dbrands.com

www.4DModelKit.com

Notic... (mirrored text)