

WIZARDING  
WORLD

# Harry Potter



hidden forest forbidden



SCHOOL

3D  
PUZZLE

CONTACT  
IF YOU HAVE

MAGICAL  
CREATURES

YOU-KNOW-WHO'S  
MANTLE

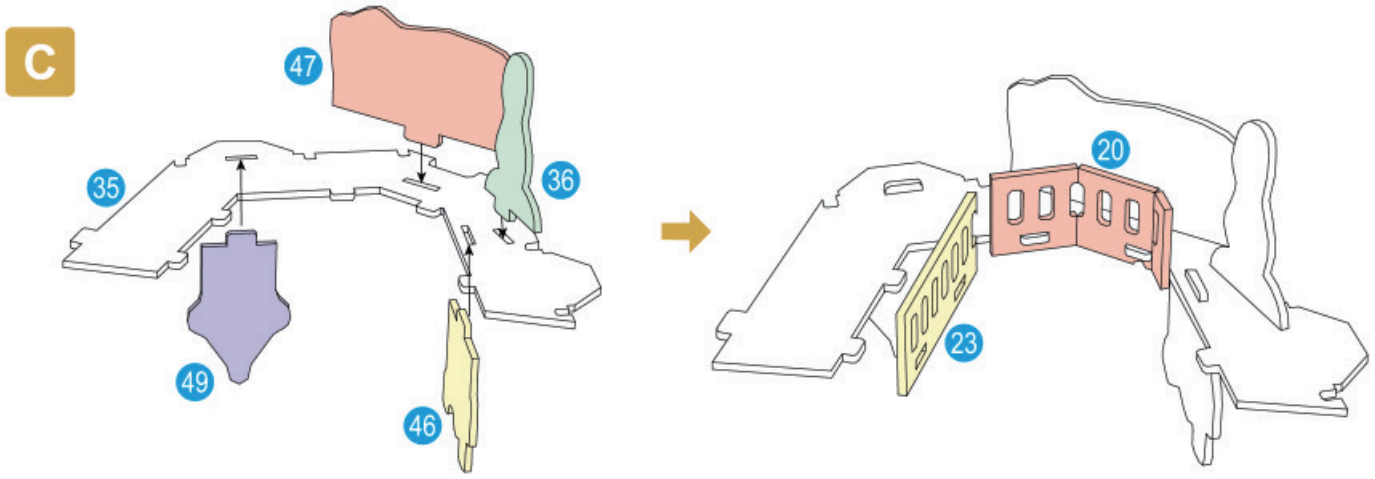
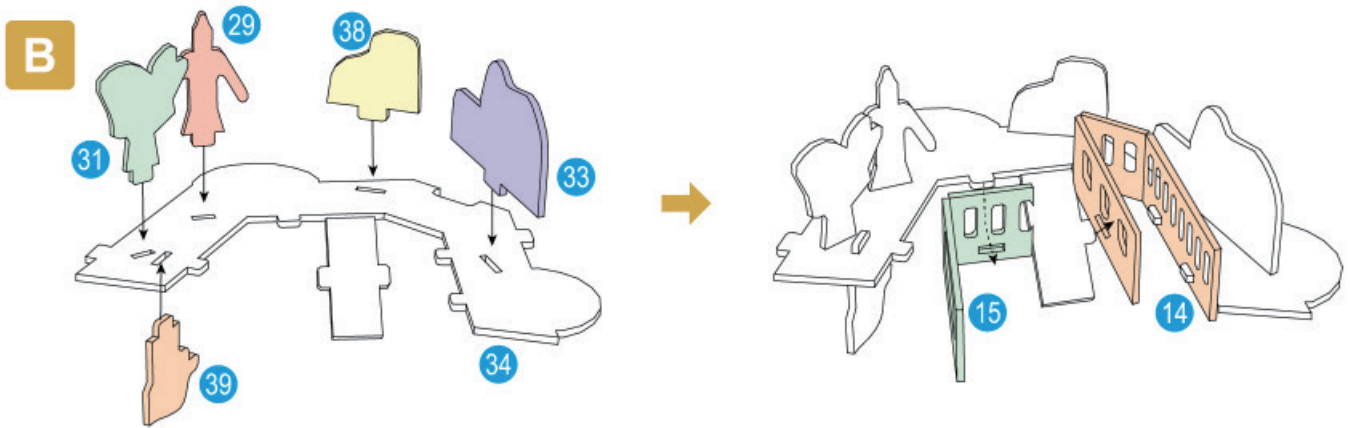
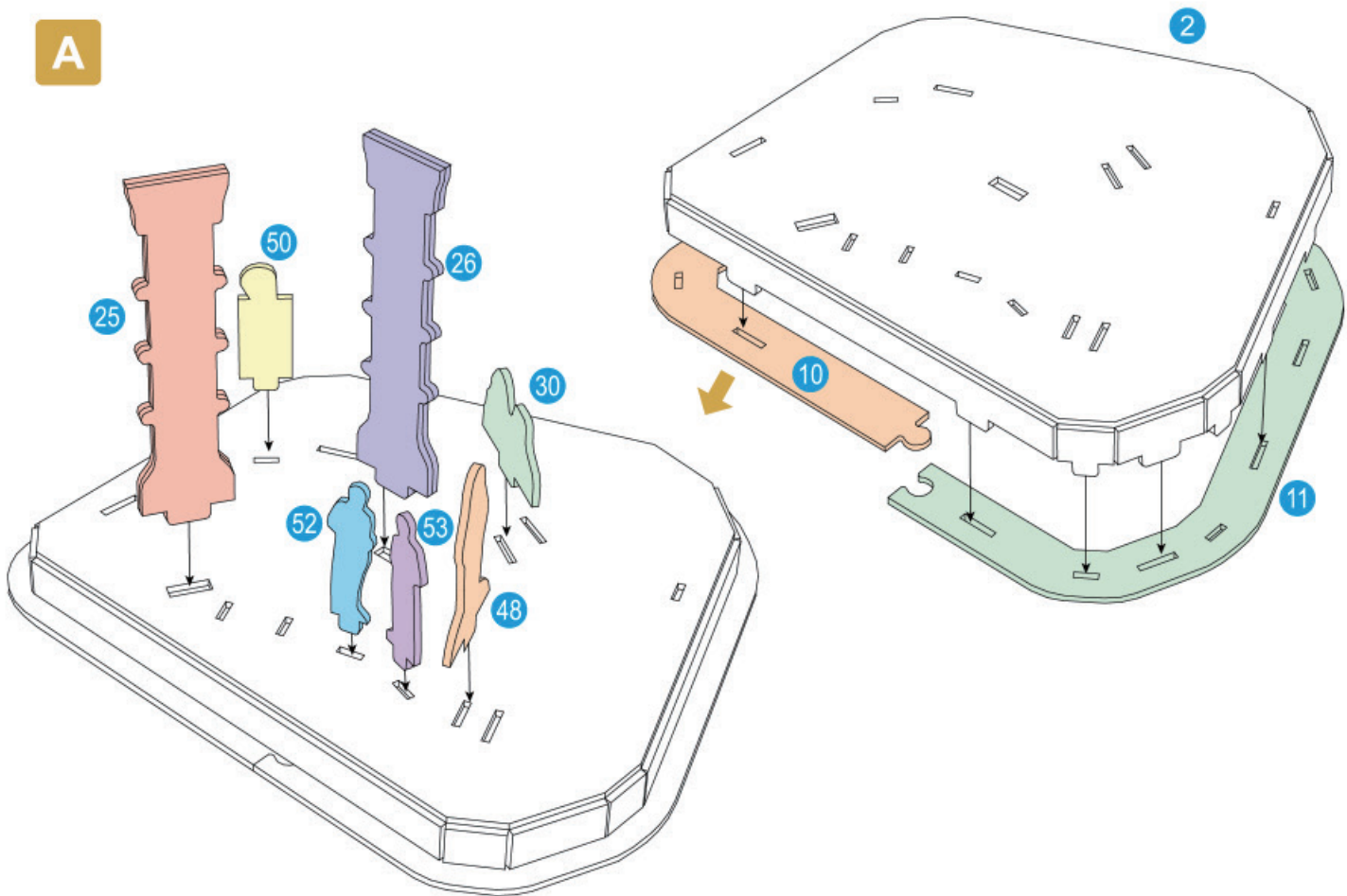


62  
PCS

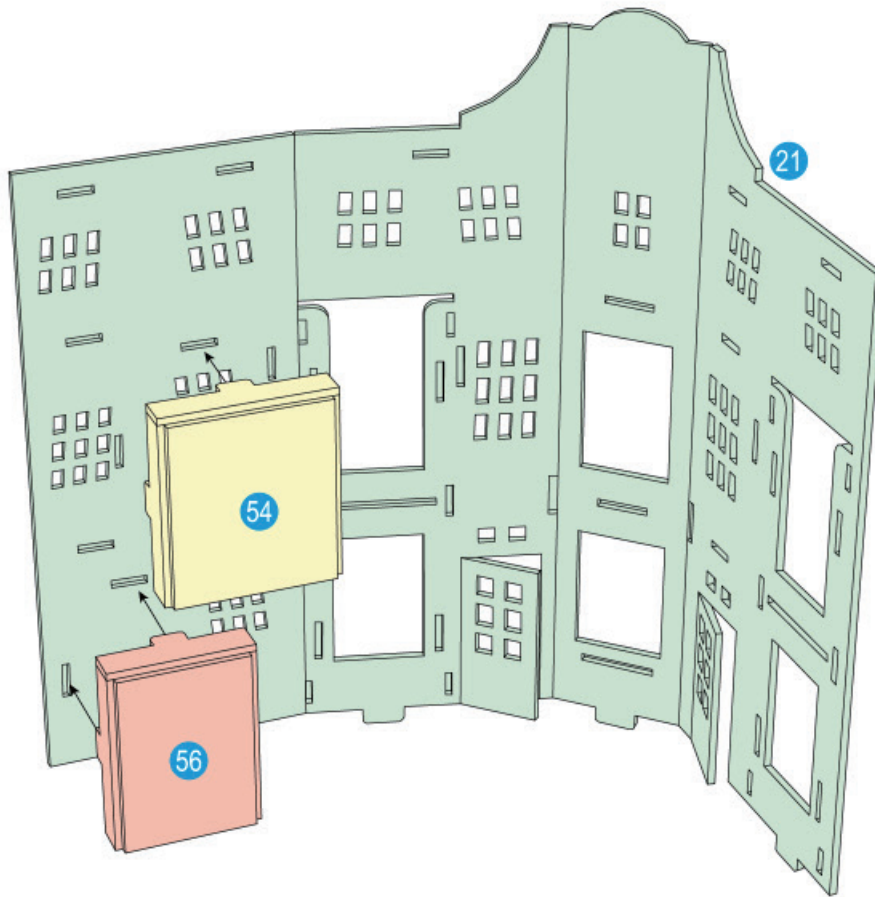
8+

WEASLEYS' WIZARD WHEEZES™ I 3D Puzzle

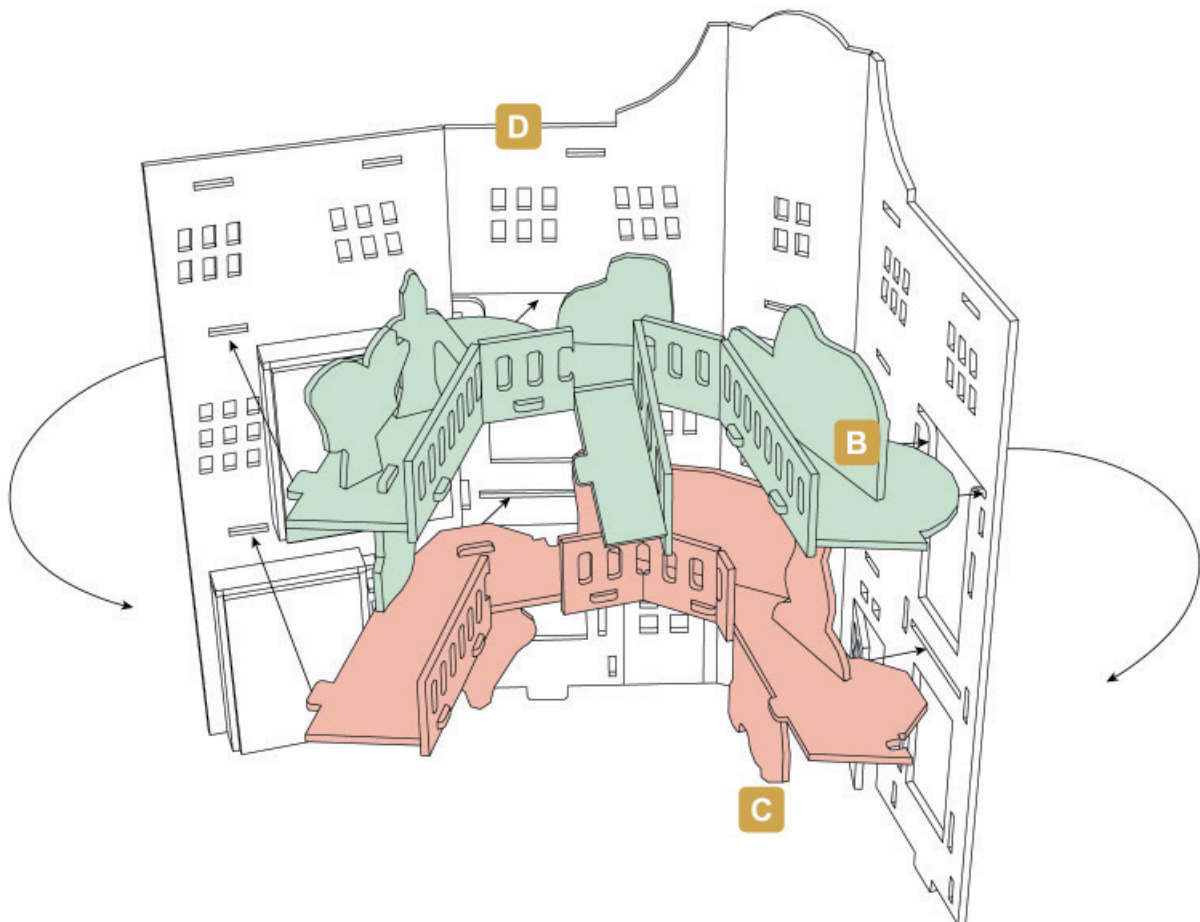




D

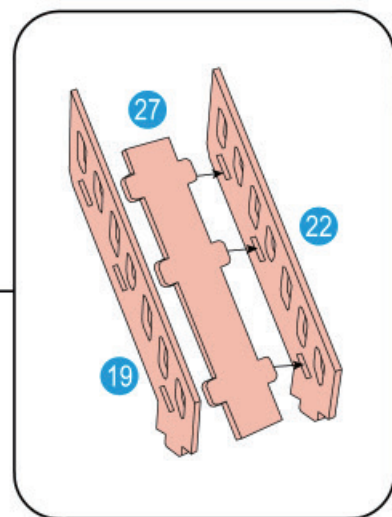
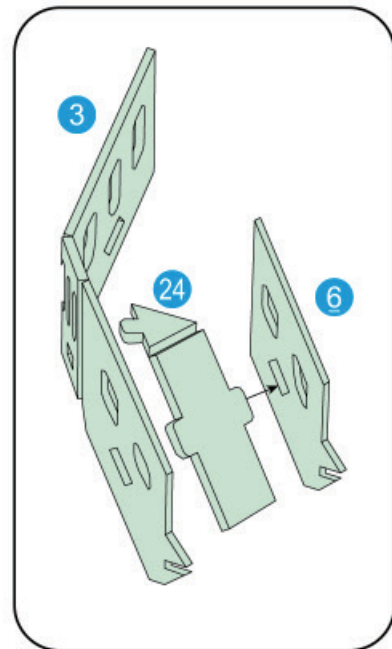
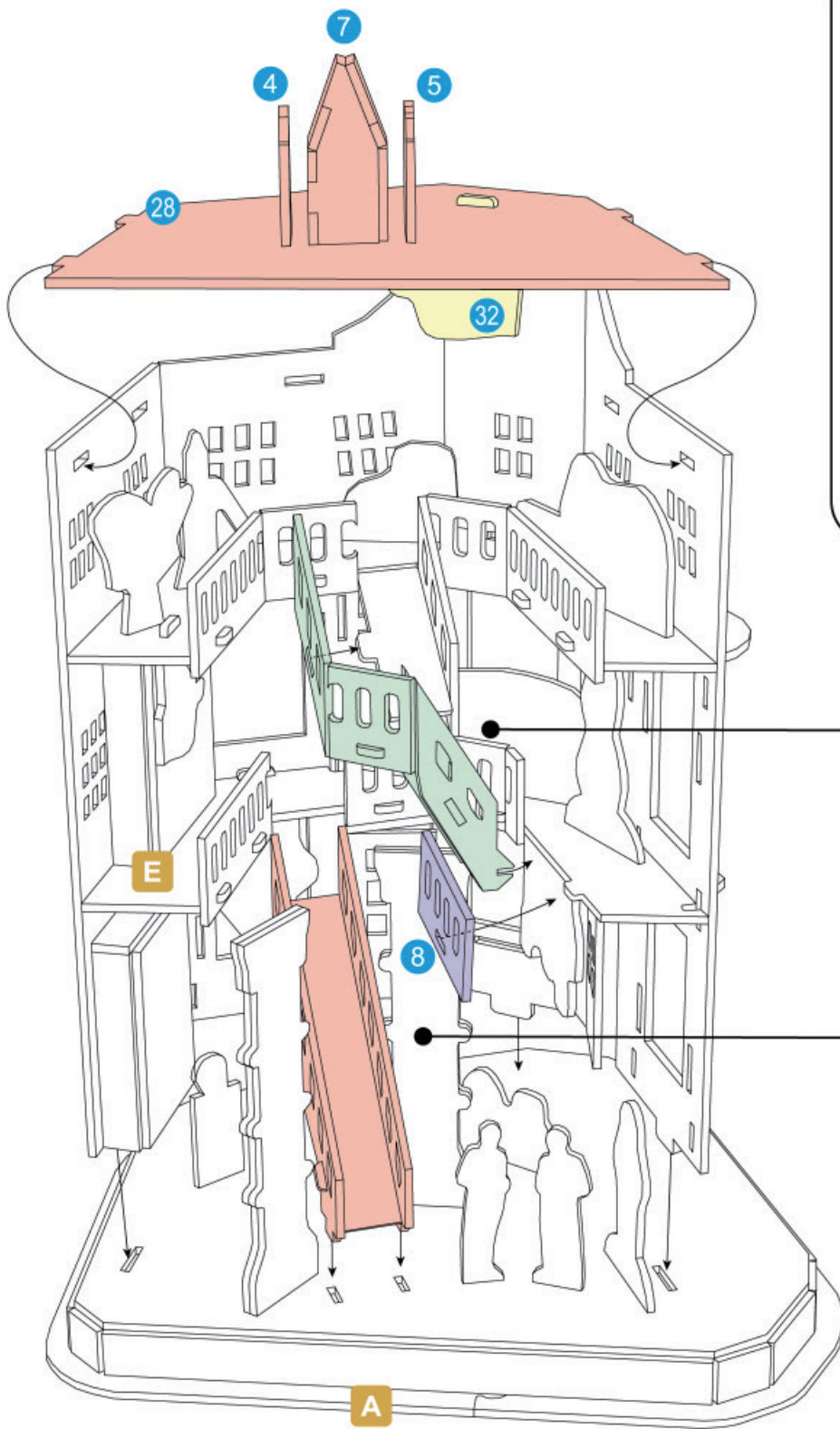


E

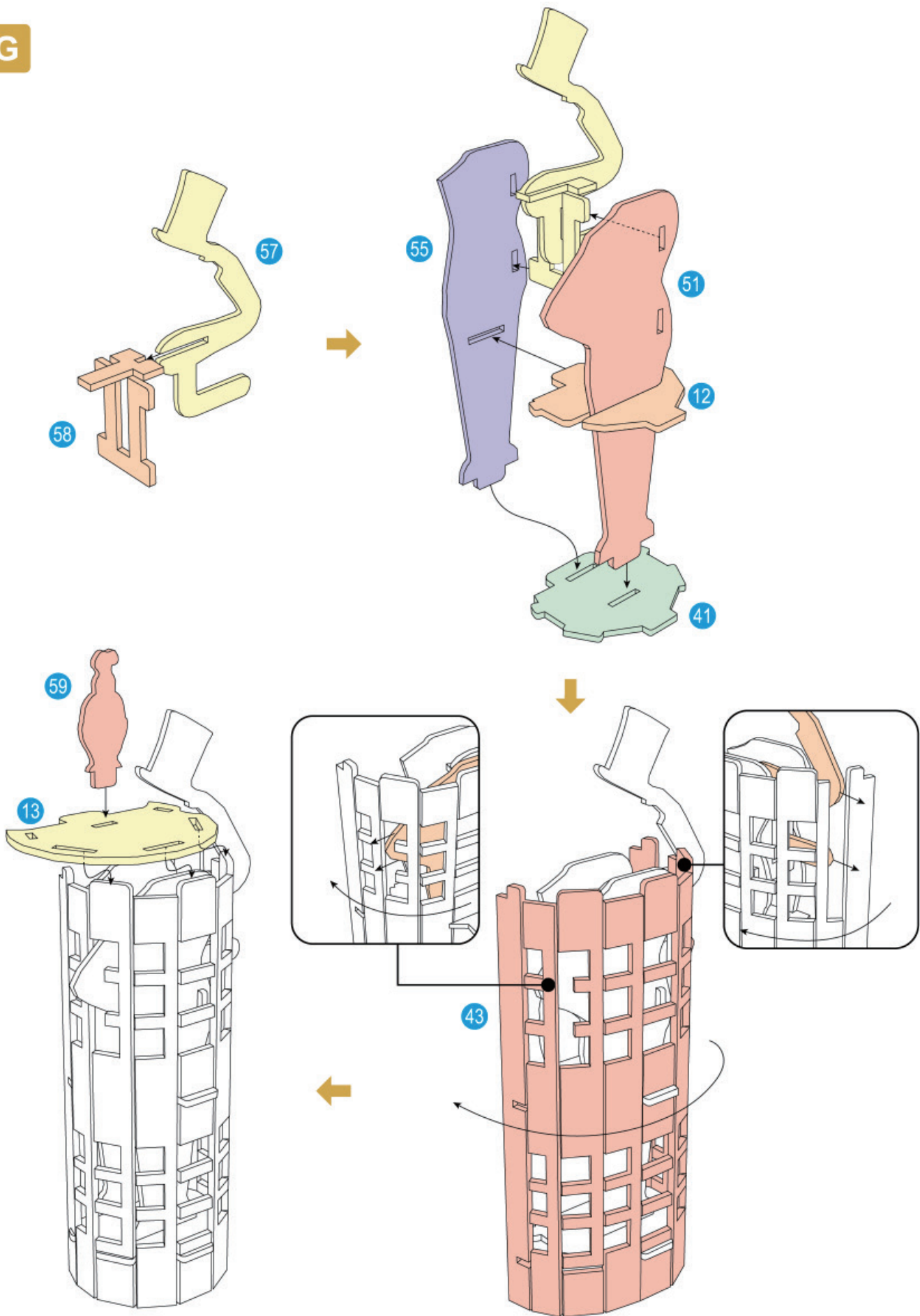




F

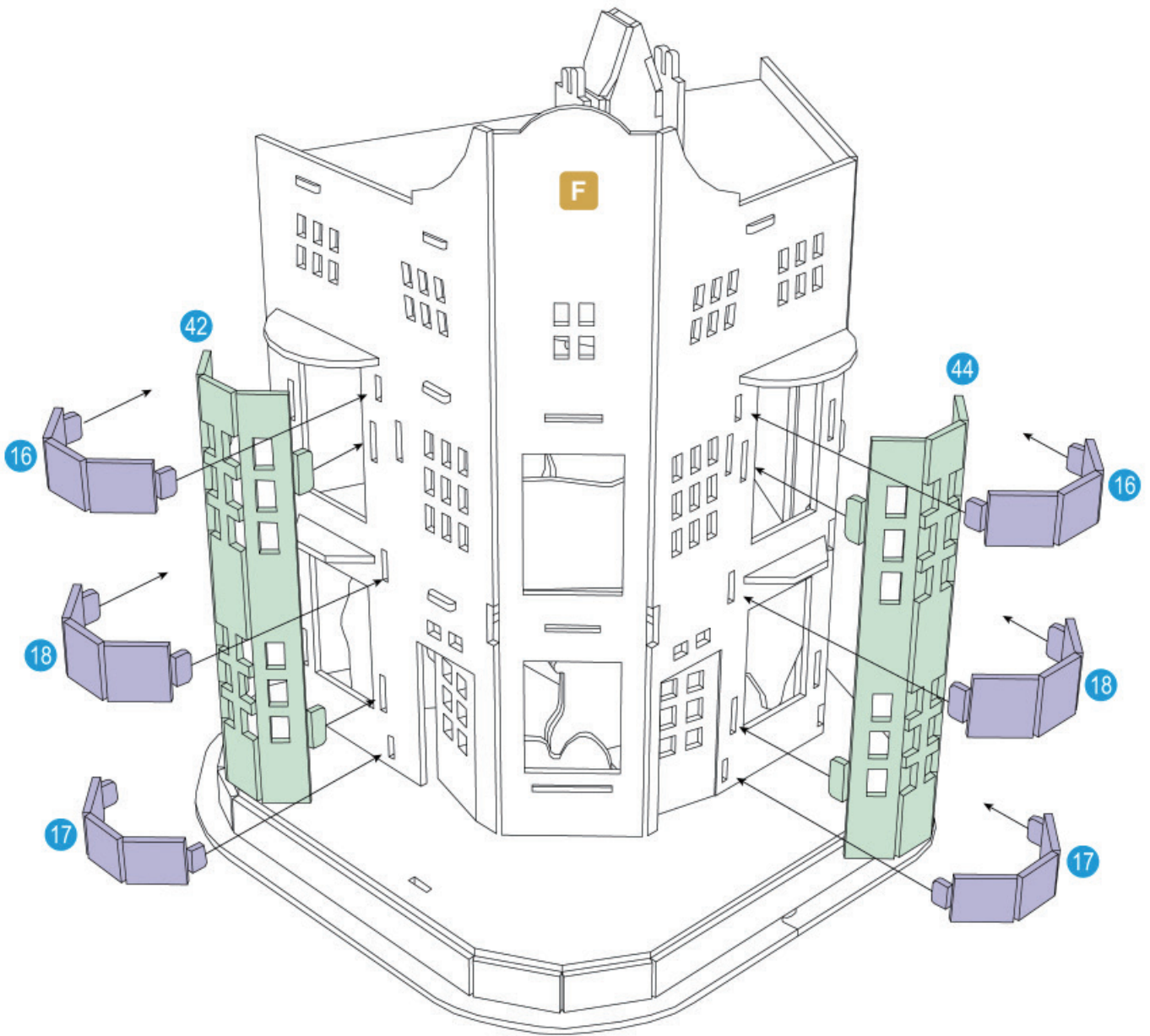


G





H



I

