

WIZARDING
WORLD

Harry Potter



hidden forest forbidden

3D
PUZZLE

HOGWARTS
EXPRESS

5972

HOGWARTS CASTLE

10
A

180
PCS

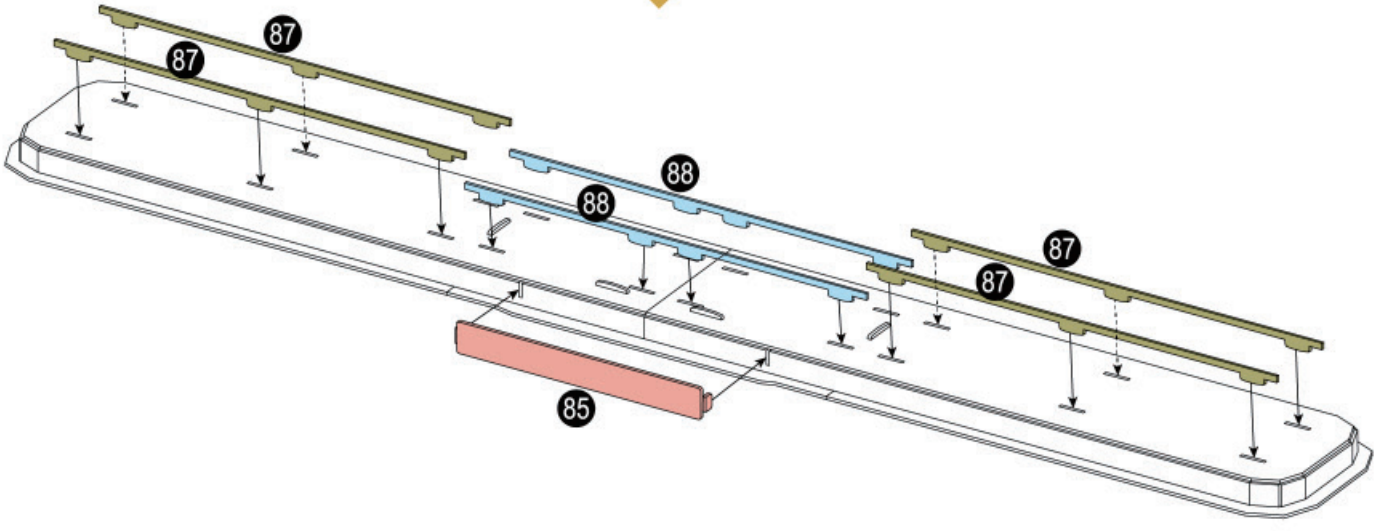
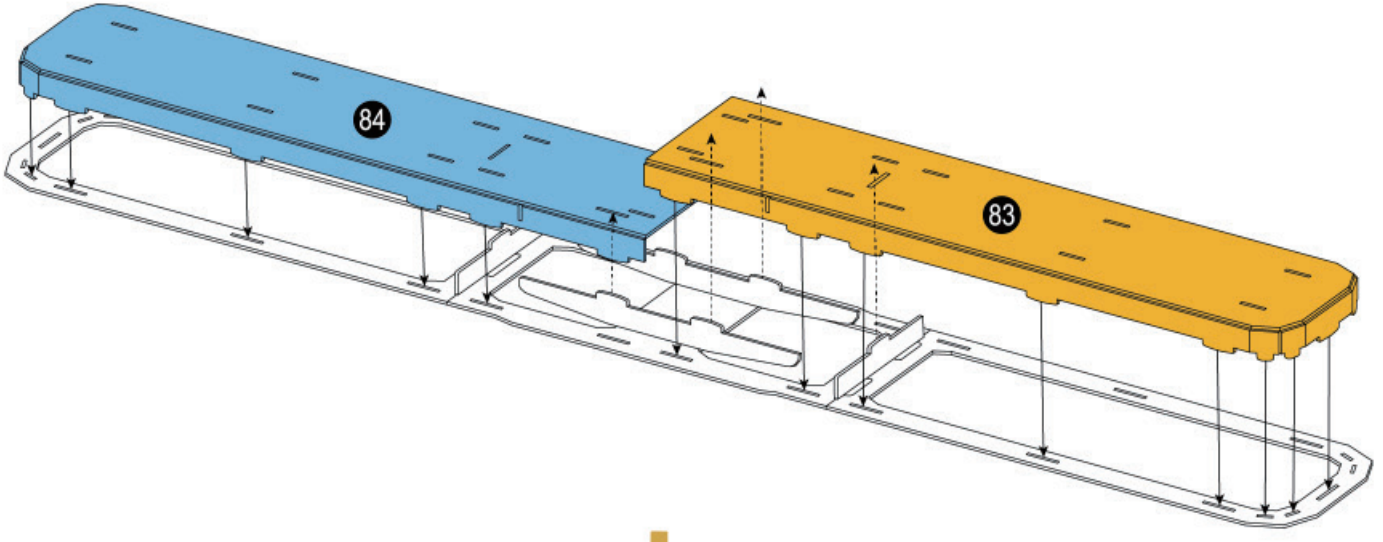
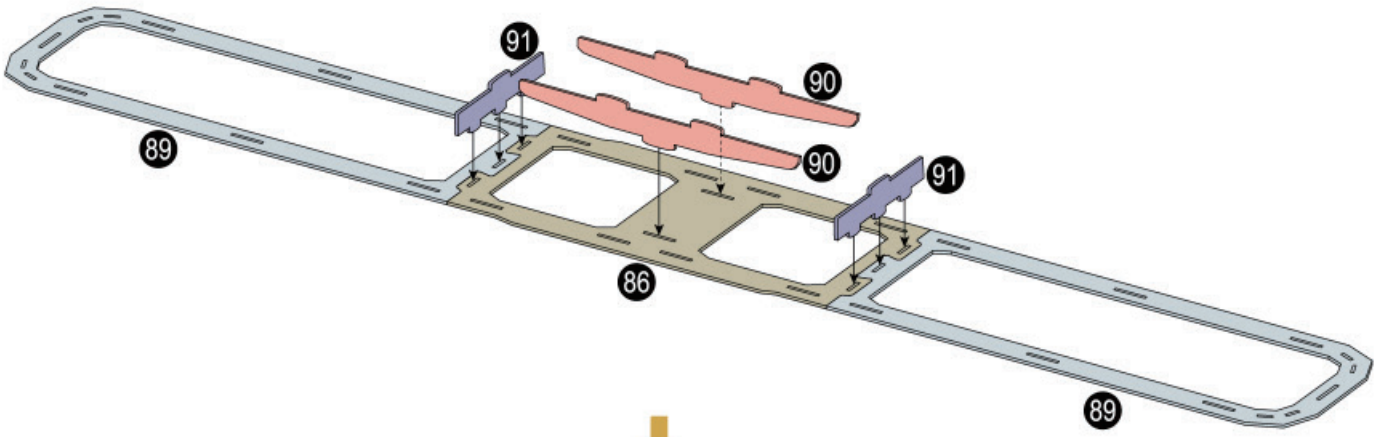
8+



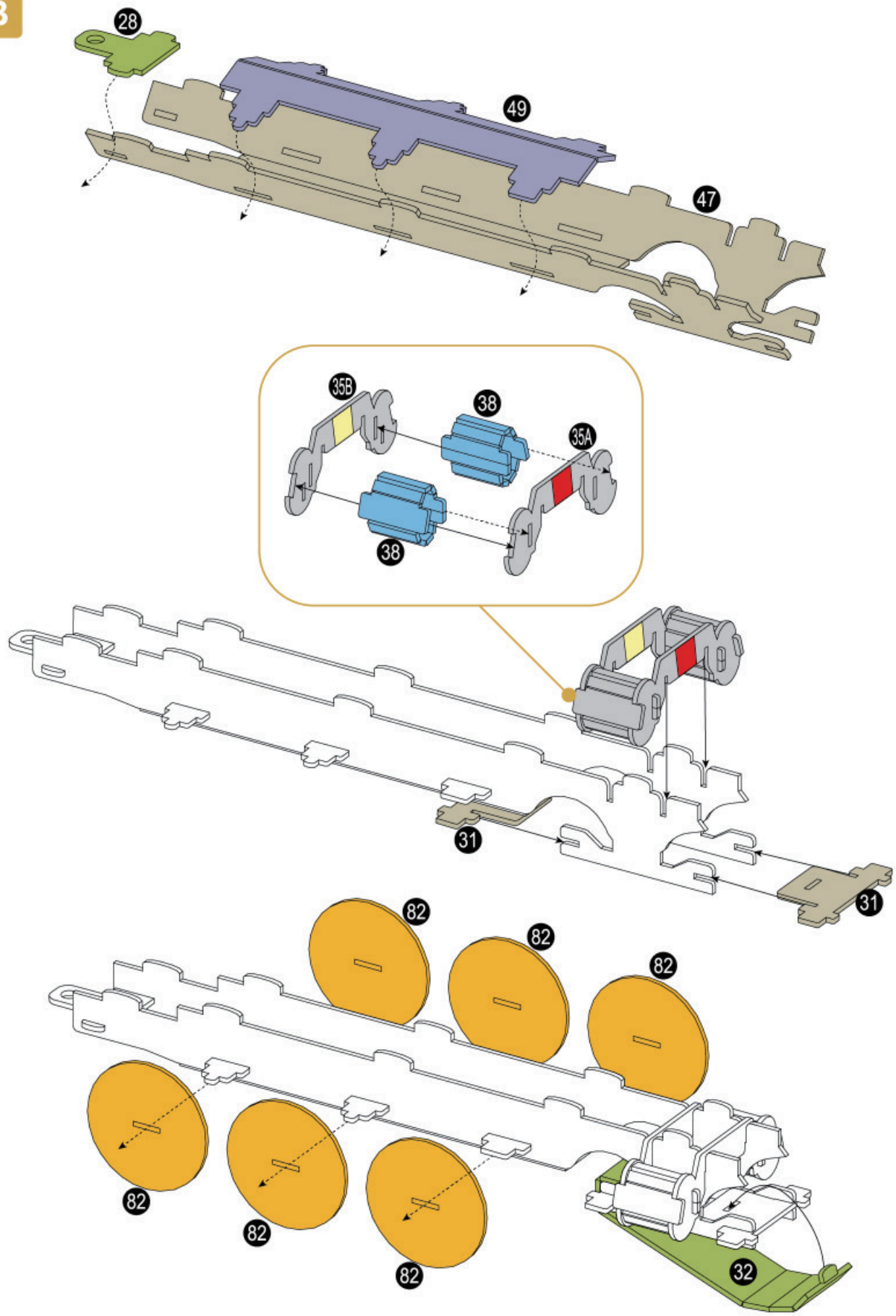
HOGWARTS EXPRESS™ SET

3D Puzzle

A

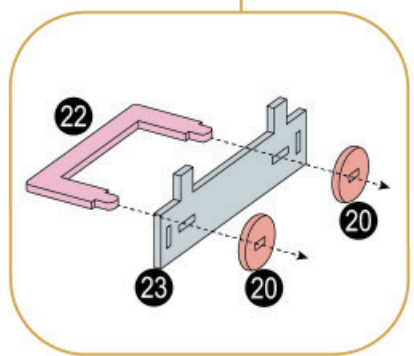
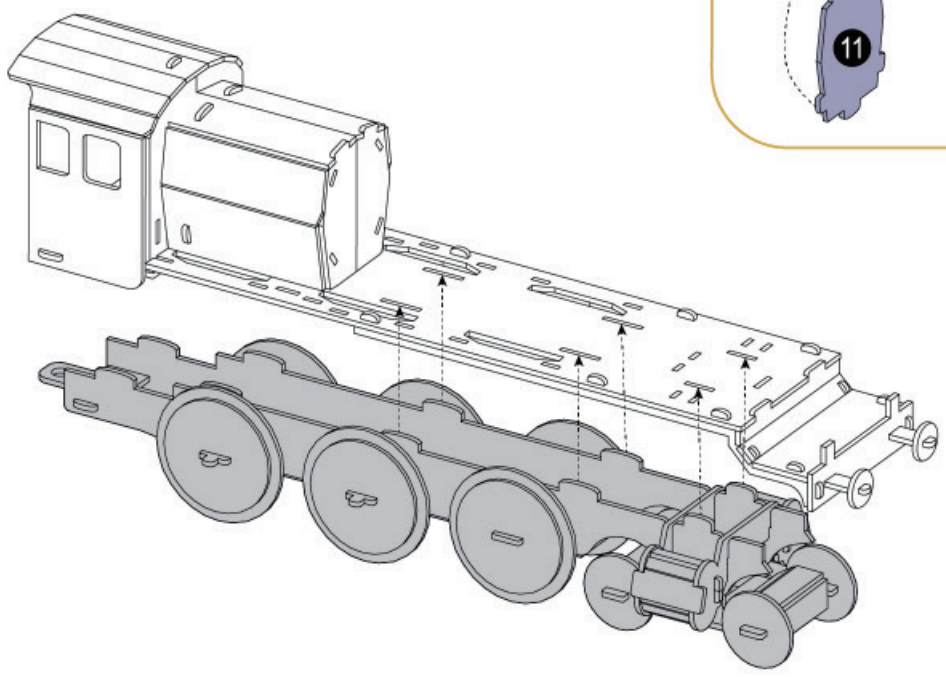
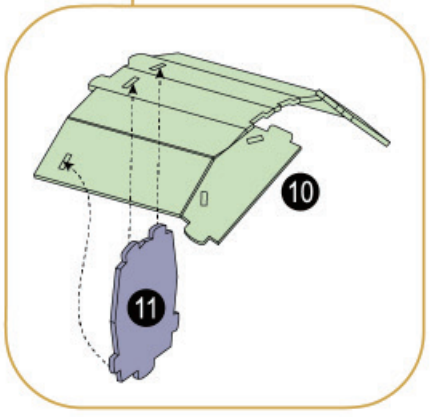
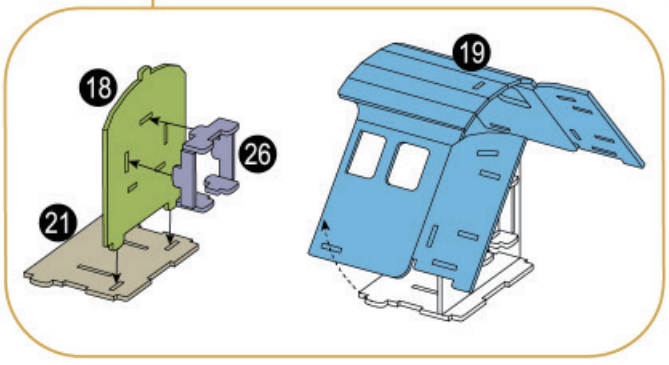
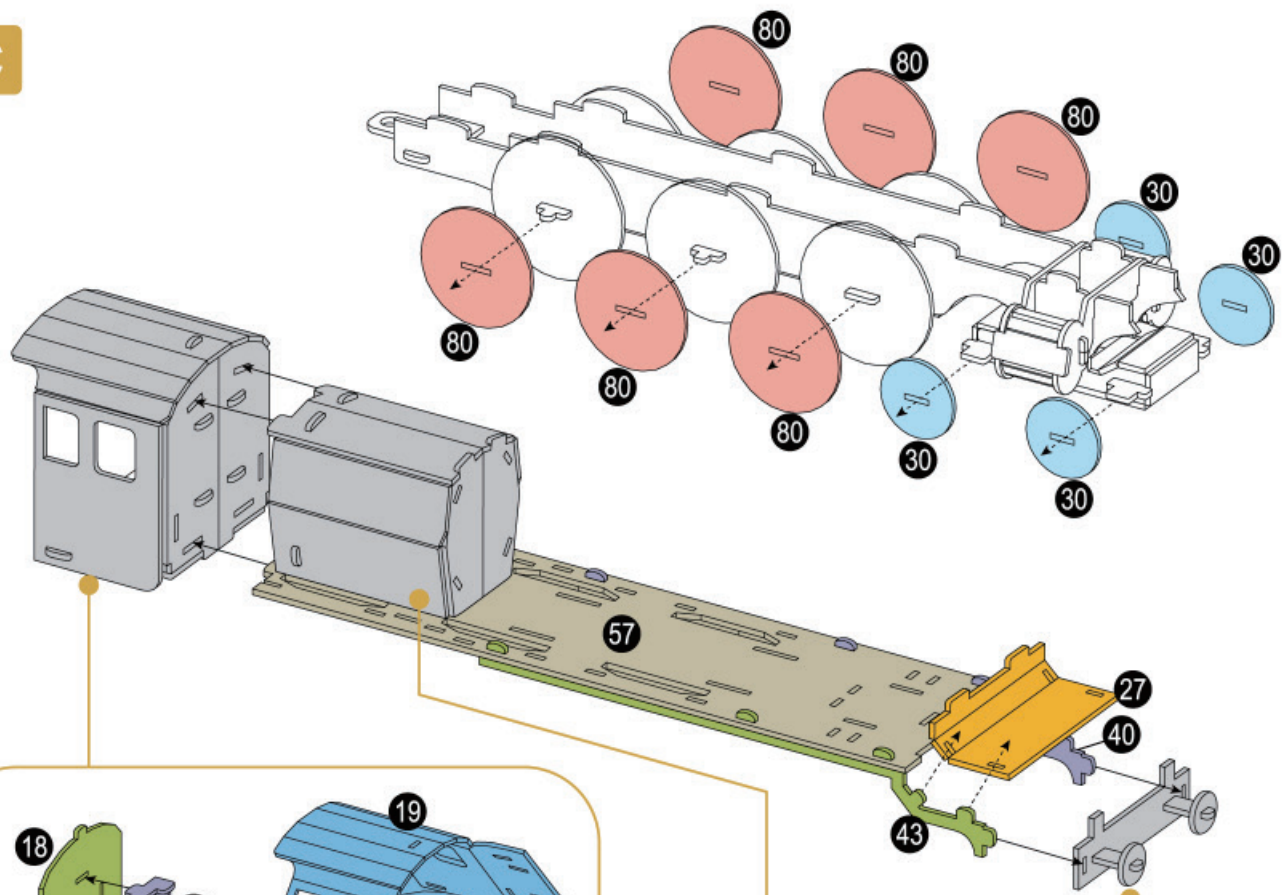


B

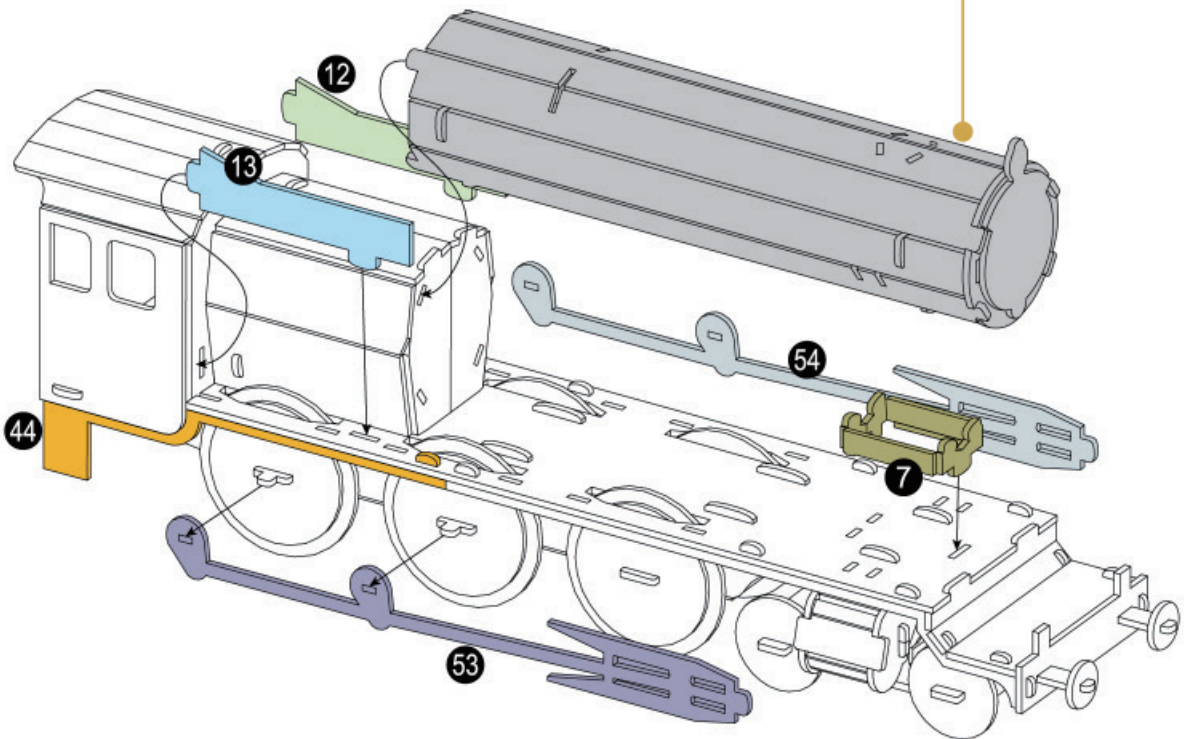
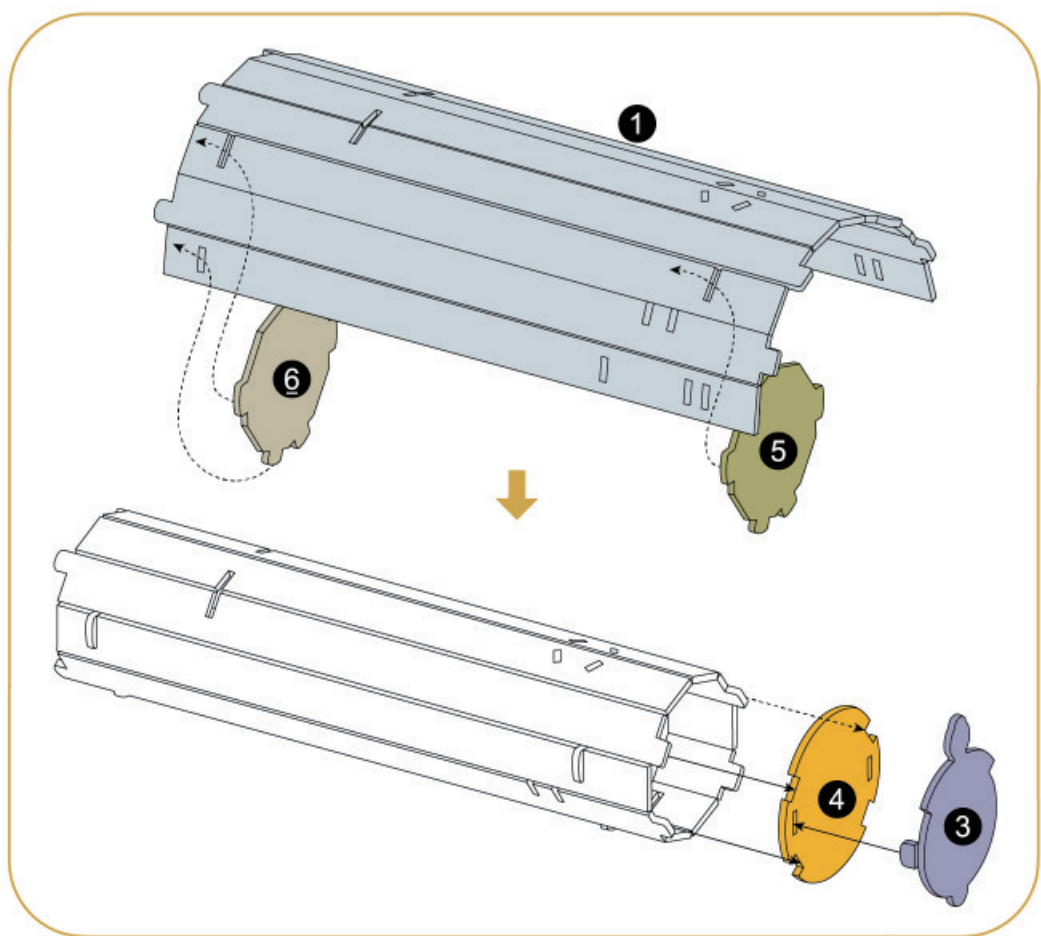


E

C

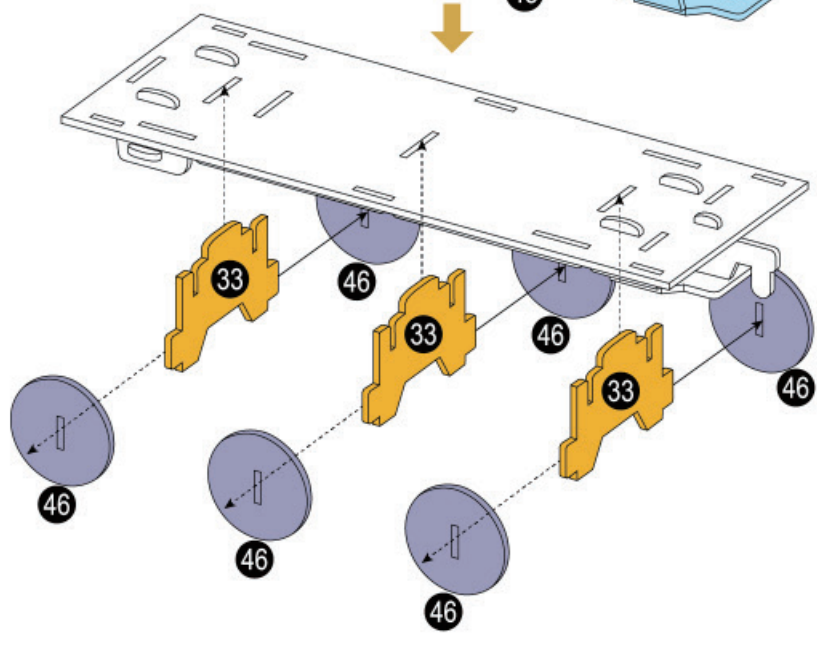
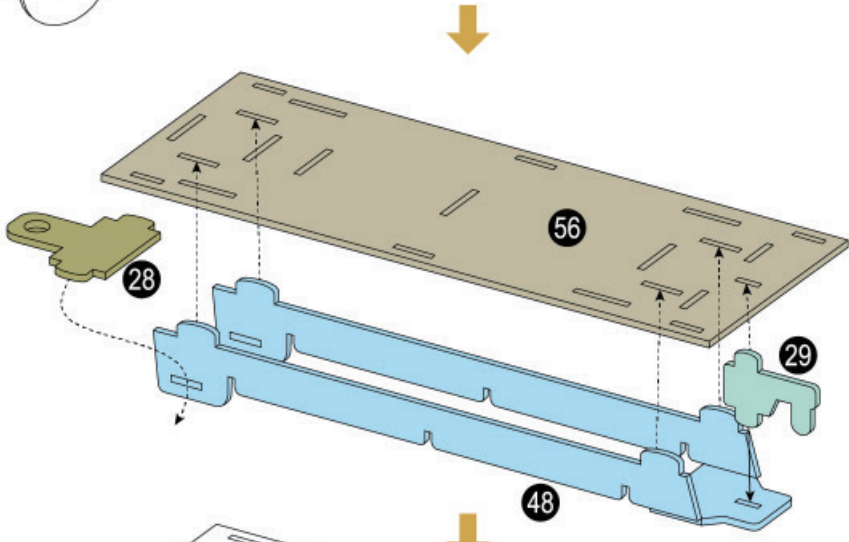
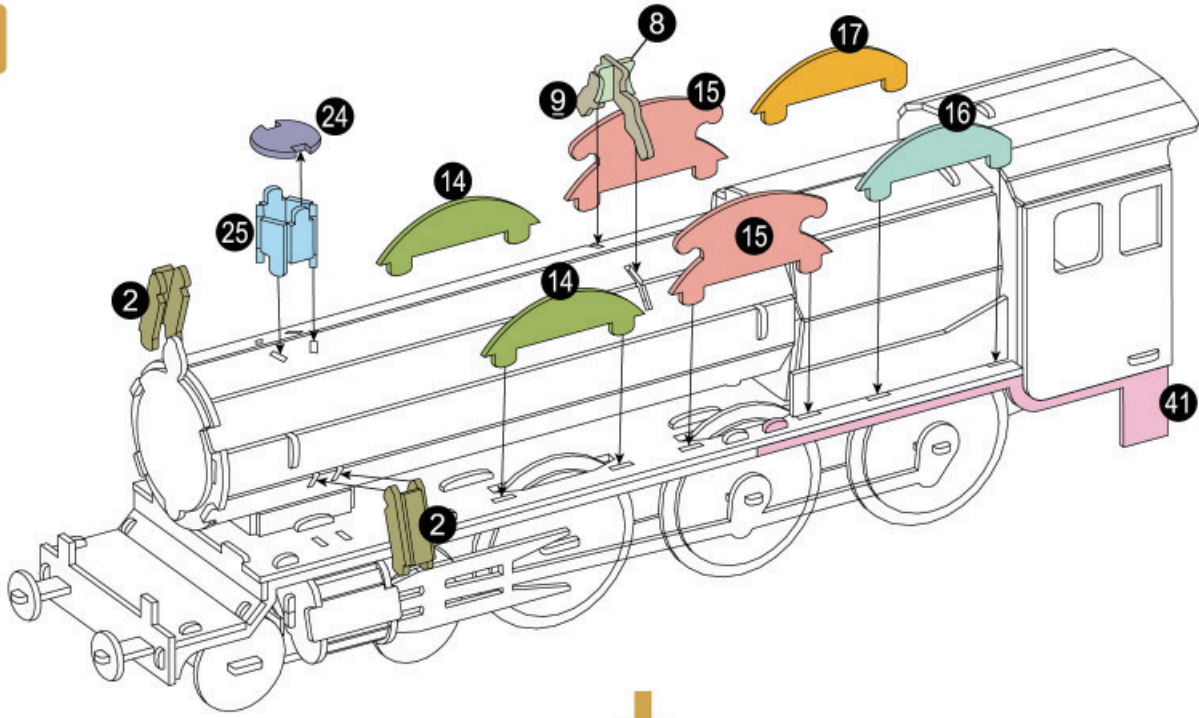


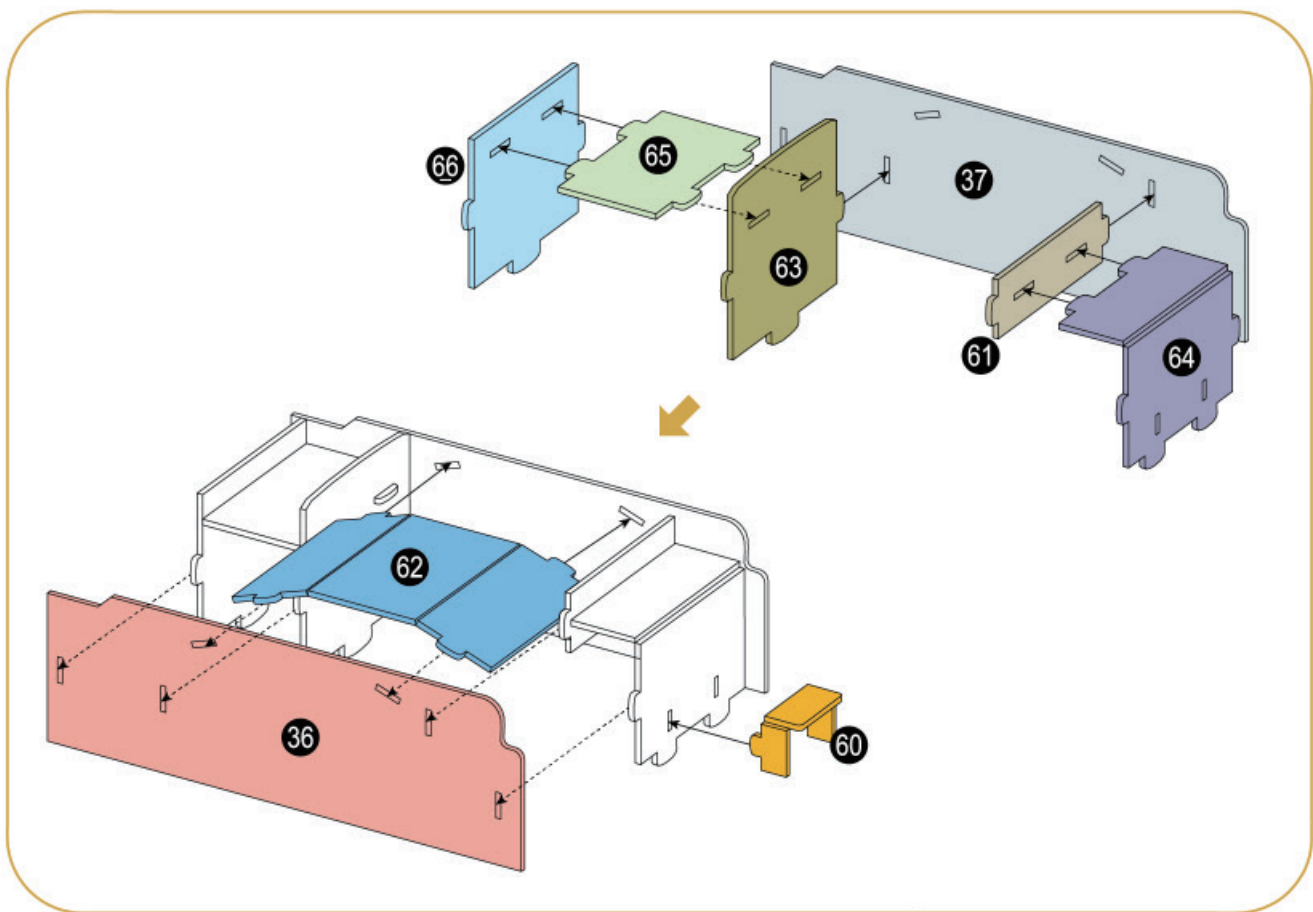
D



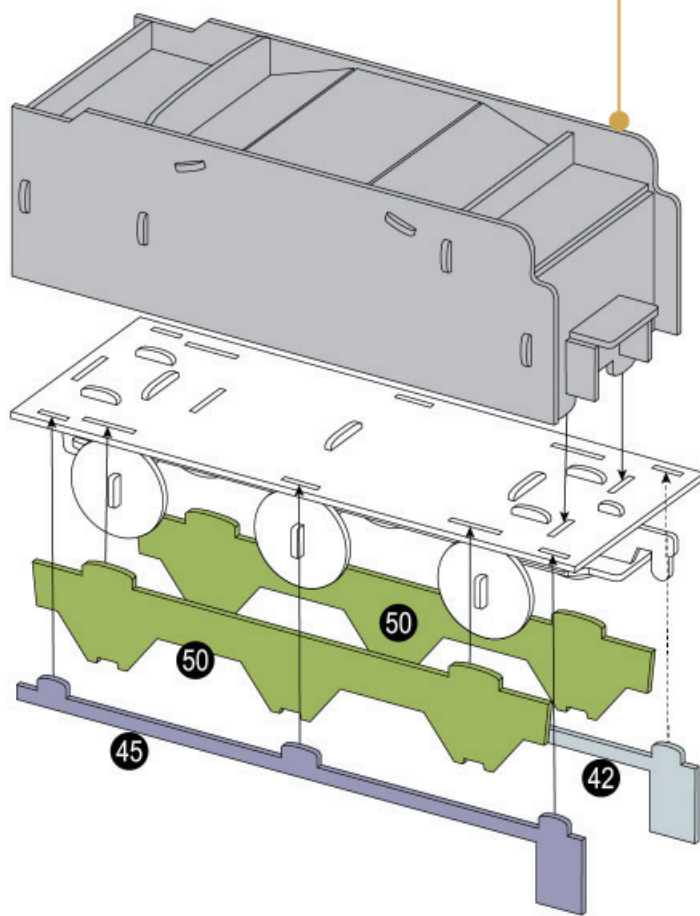
E

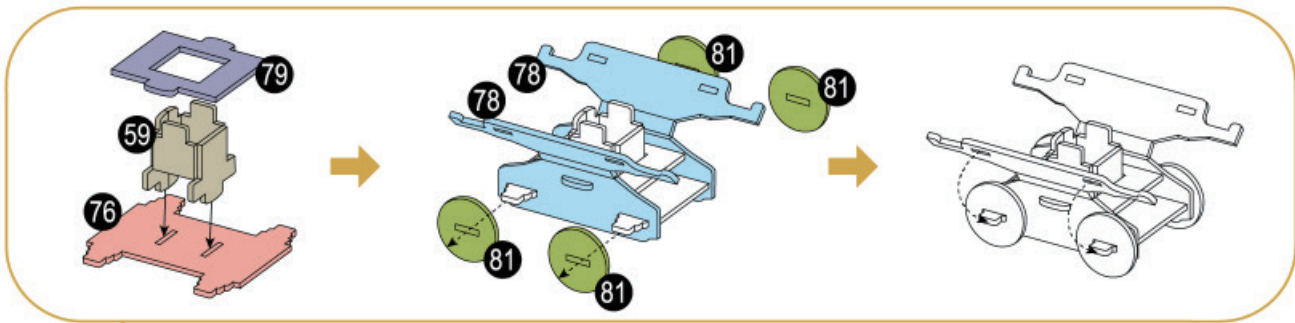
E



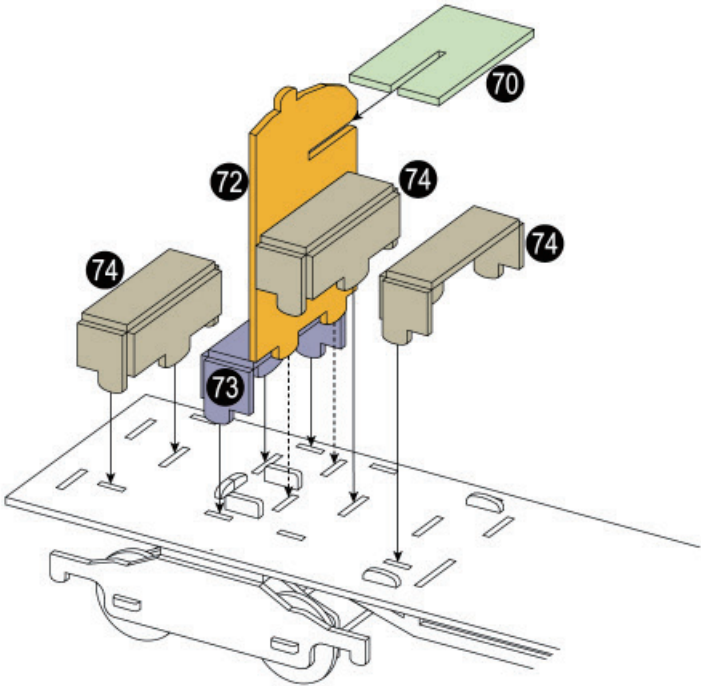
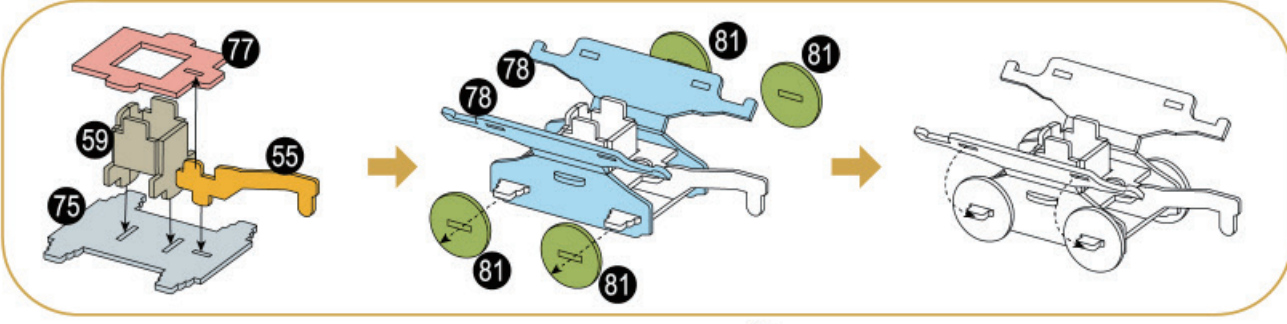
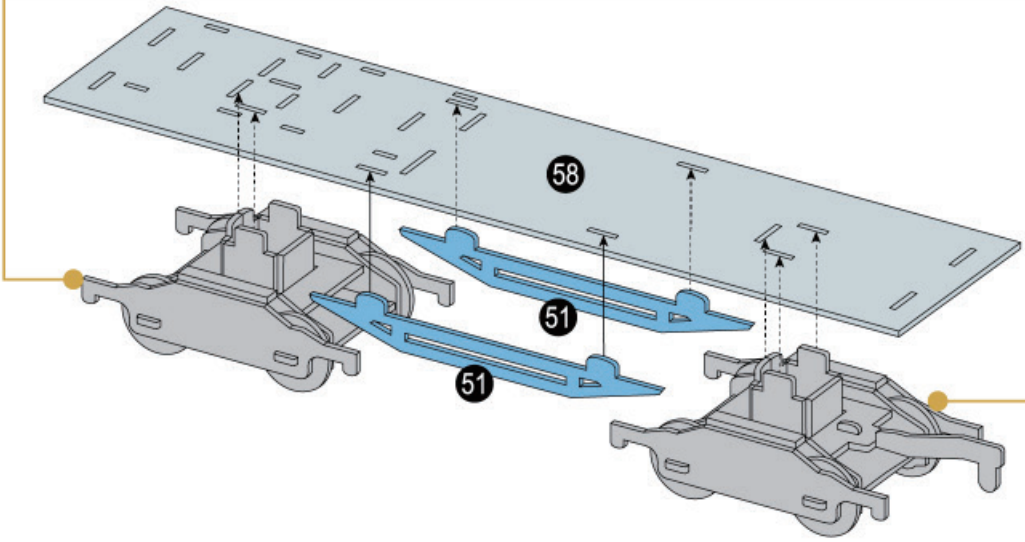


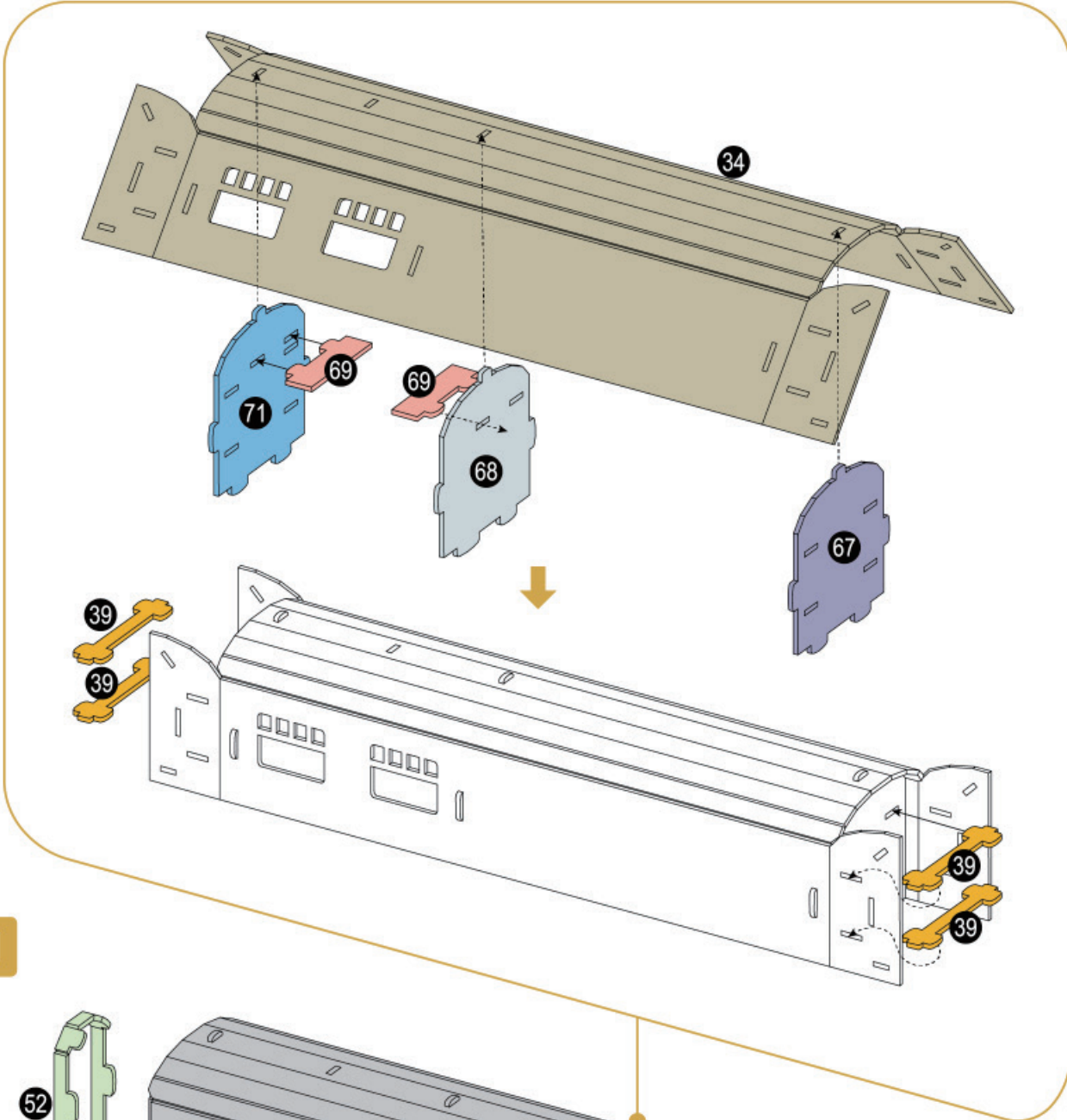
F



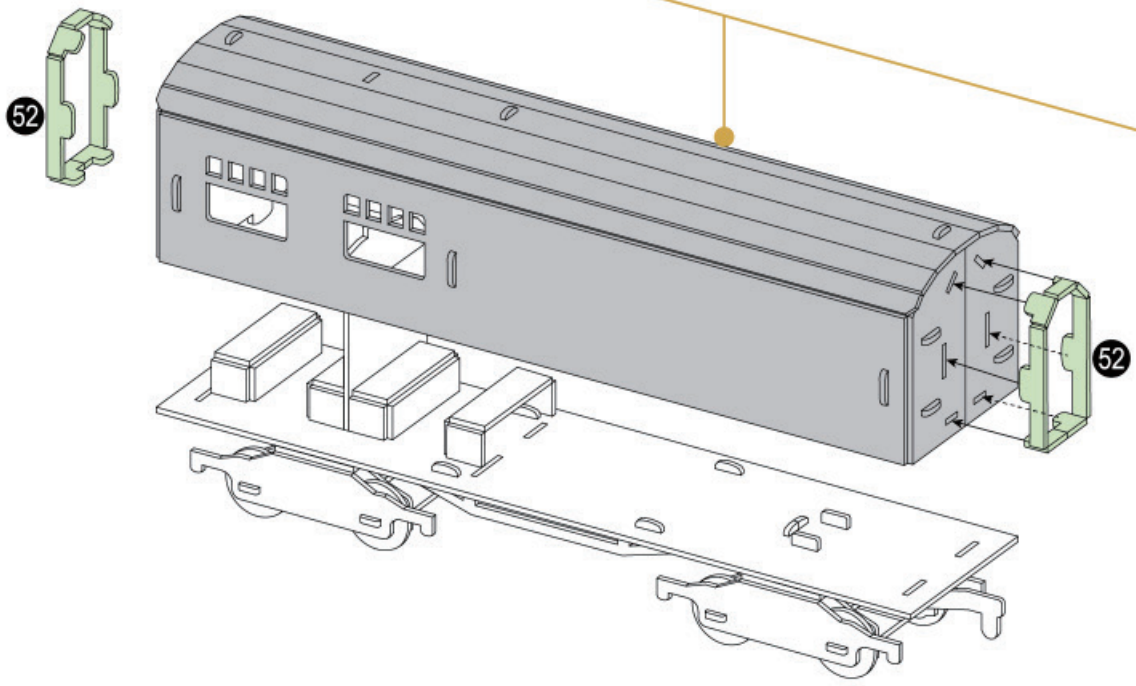


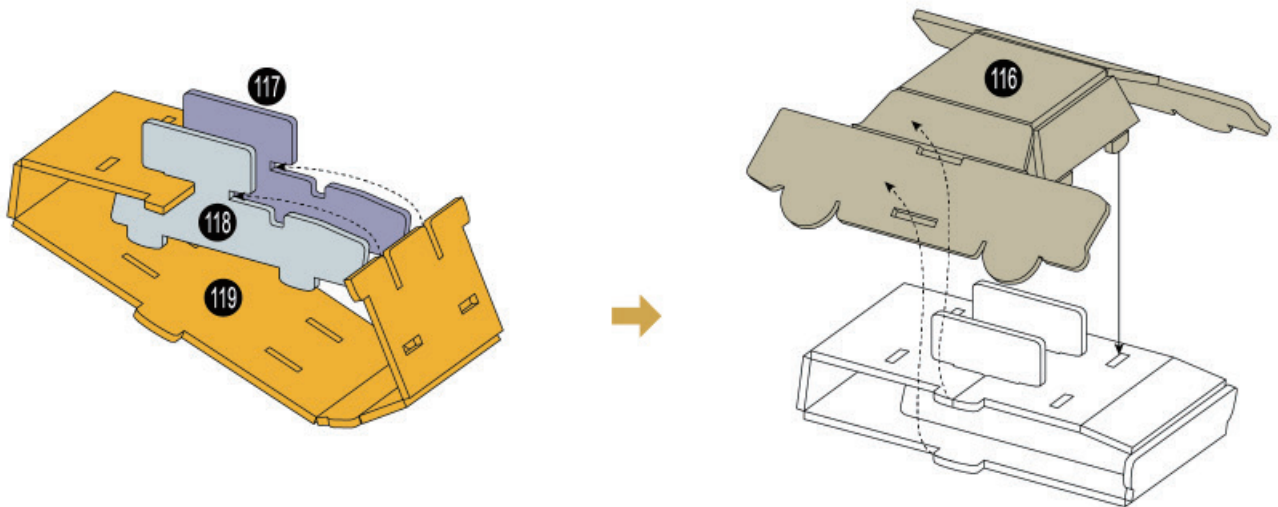
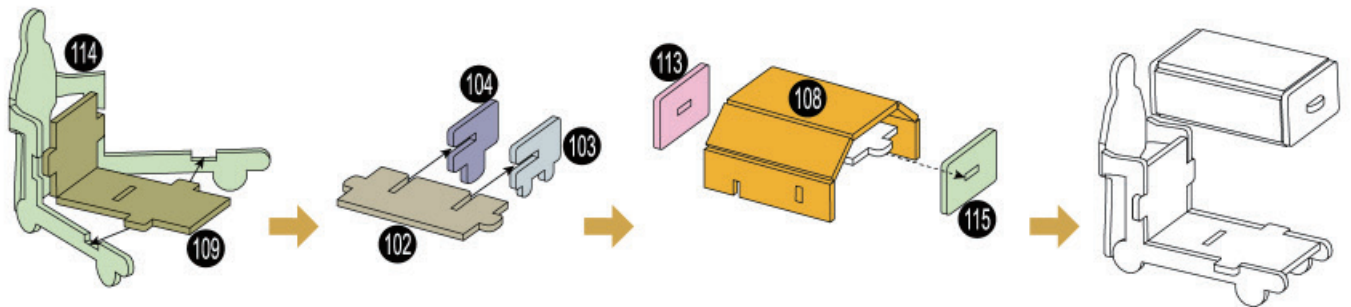
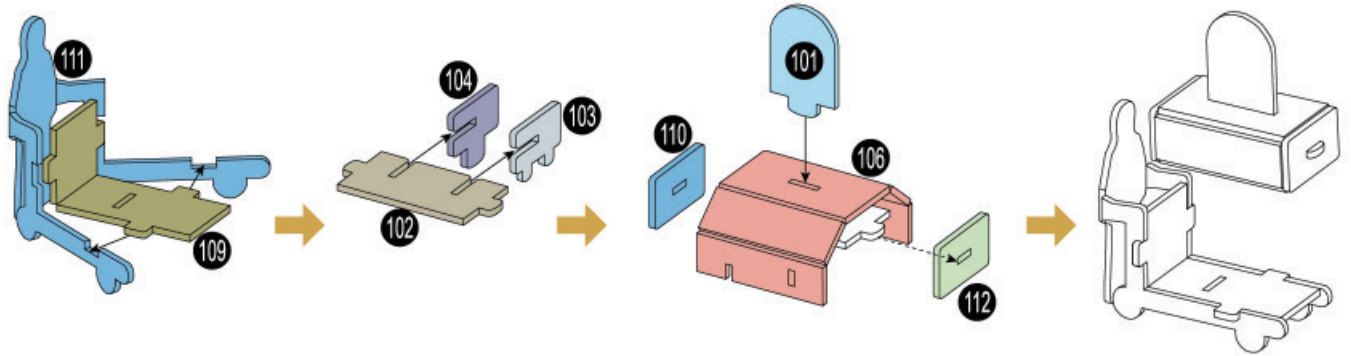
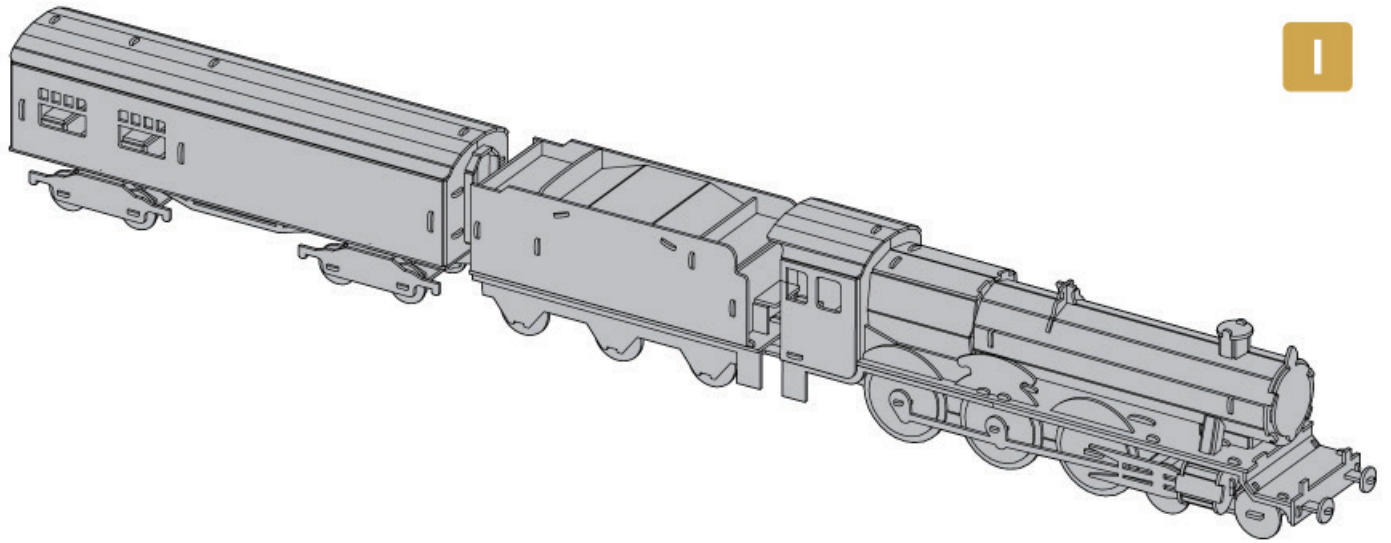
G



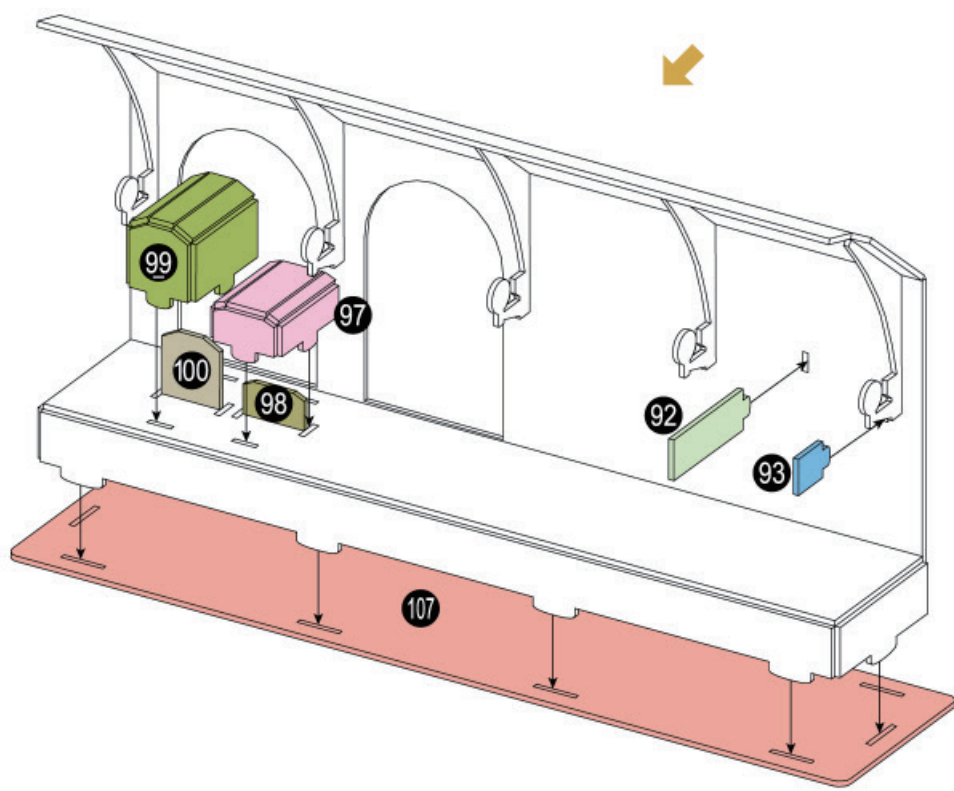
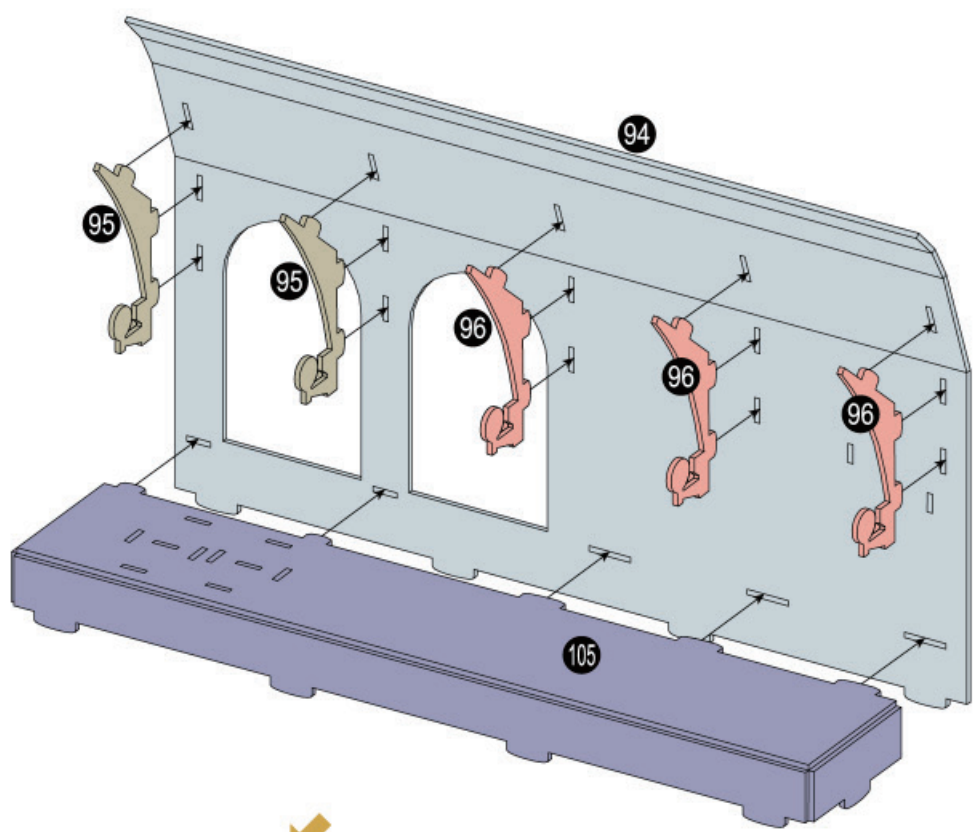


H





J



E

Forbidden forest forbidden

THE MINISTRY OF MAGIC ANY INFORMATION

 The Ministry of Magic is pleased to announce the release of the first issue of the Harry Potter series. This issue contains information about the wizarding world, the Ministry of Magic, and the story of Harry Potter.



SEE PAGE 5
FOR MORE
INFORMATION



First Year
HOGWARTS SCHOOL
 UNIFORM & EQUIPMENT BOOK LIST

1. Robe
 2. Hat
 3. Socks
 4. Shoes
 5. Handkerchiefs
 6. Pocket square
 7. Gaiters
 8. Boots
 9. Stole
 10. Hat
 11. Socks
 12. Shoes
 13. Handkerchiefs
 14. Pocket square
 15. Gaiters
 16. Boots
 17. Stole
 18. Hat
 19. Socks
 20. Shoes



 This is the first issue of the Harry Potter series. It contains information about the wizarding world, the Ministry of Magic, and the story of Harry Potter.

MAGICAL CREATURES

 This issue contains information about magical creatures, including dragons, phoenixes, and unicorns. It is a must-read for any Harry Potter fan.

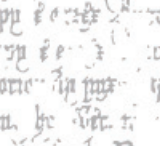
 This issue contains information about magical creatures, including dragons, phoenixes, and unicorns. It is a must-read for any Harry Potter fan.



 This issue contains information about magical creatures, including dragons, phoenixes, and unicorns. It is a must-read for any Harry Potter fan.



 This issue contains information about magical creatures, including dragons, phoenixes, and unicorns. It is a must-read for any Harry Potter fan.



NO. 1...
 This is the first issue of the Harry Potter series. It contains information about the wizarding world, the Ministry of Magic, and the story of Harry Potter.