

WIZARDING
WORLD

Harry Potter



hidden

hidden

3D
PUZZLE

CONTACT
IF YOU HAVE

MAGICAL
FEATURES

YOU-KNOW-WHO'S
HAPPENING

273
PCS

8+

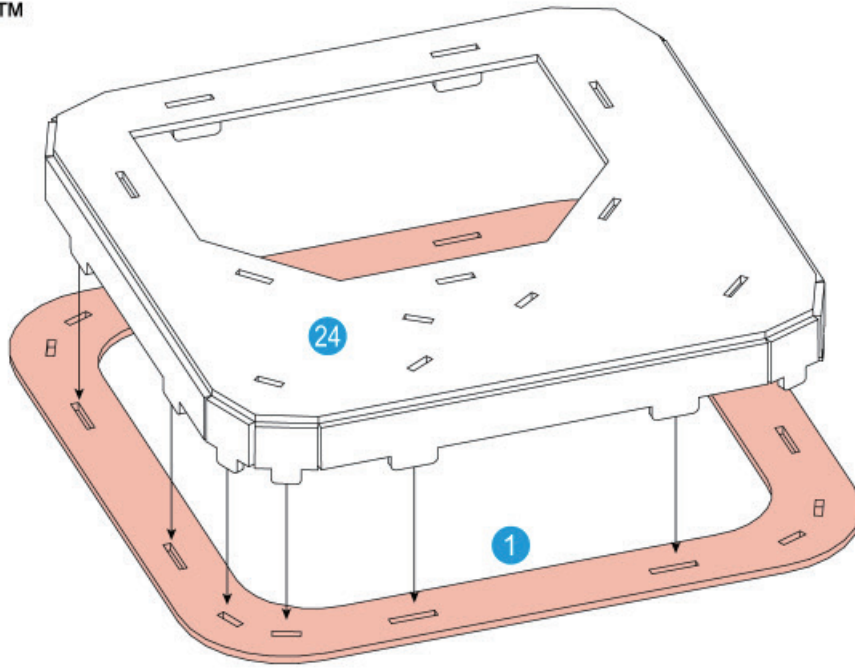


DIAGON ALLEY™ SET

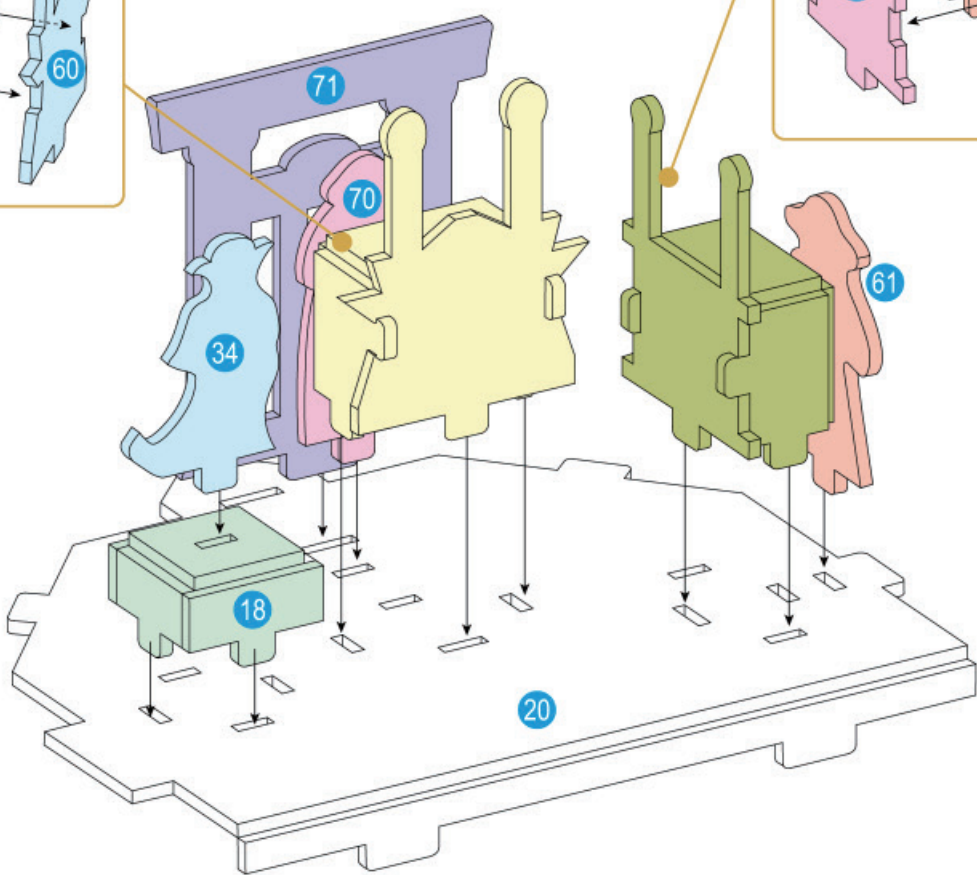
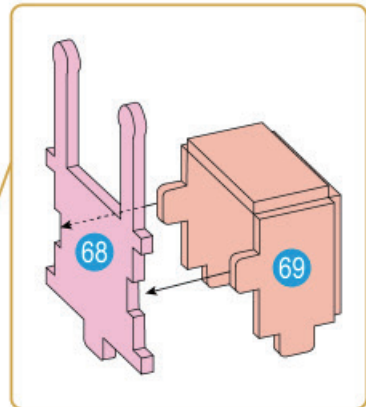
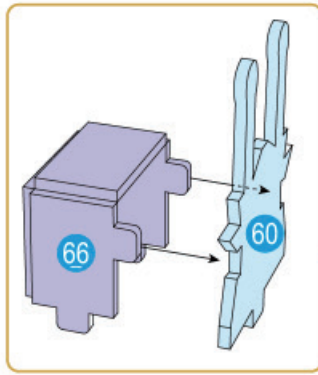
3D Puzzle

Gringotts Bank™

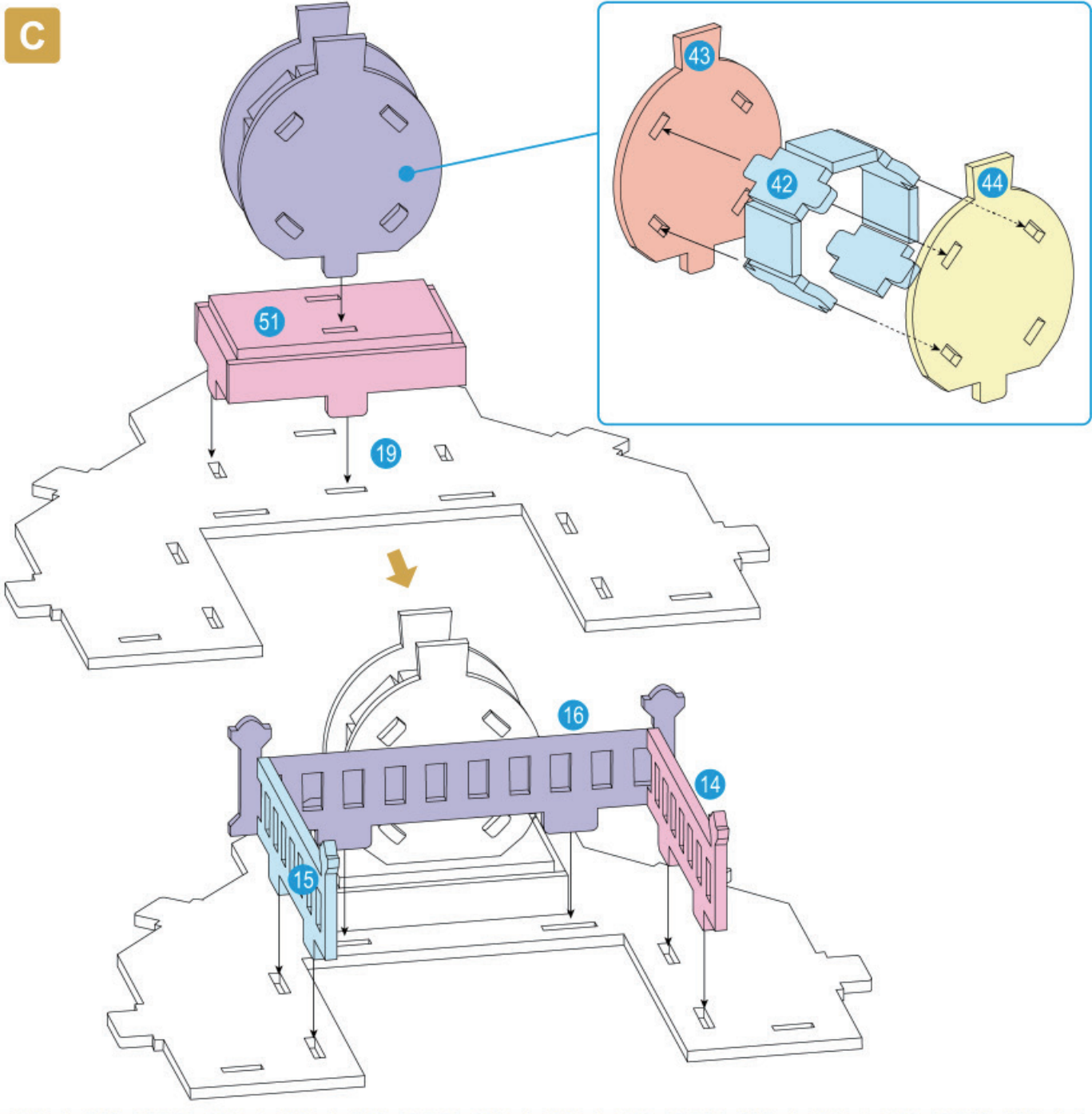
A



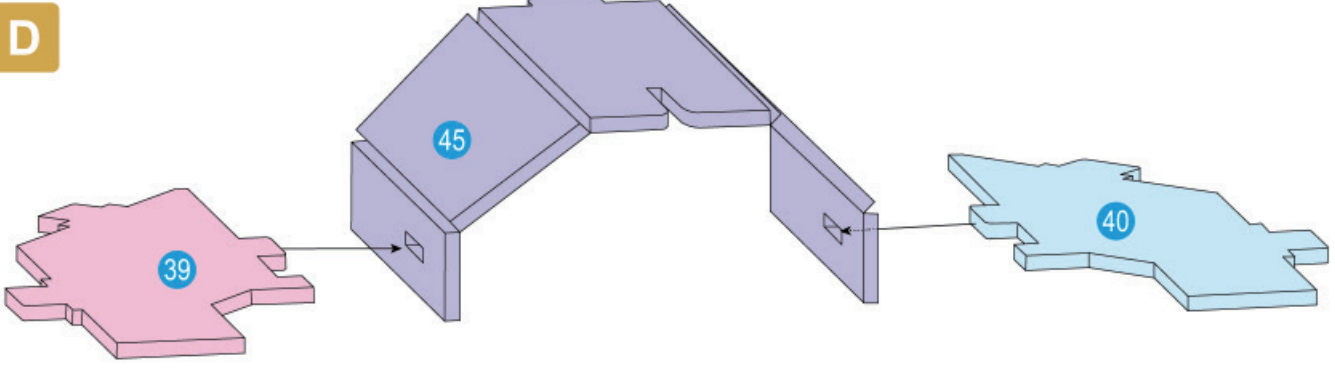
B



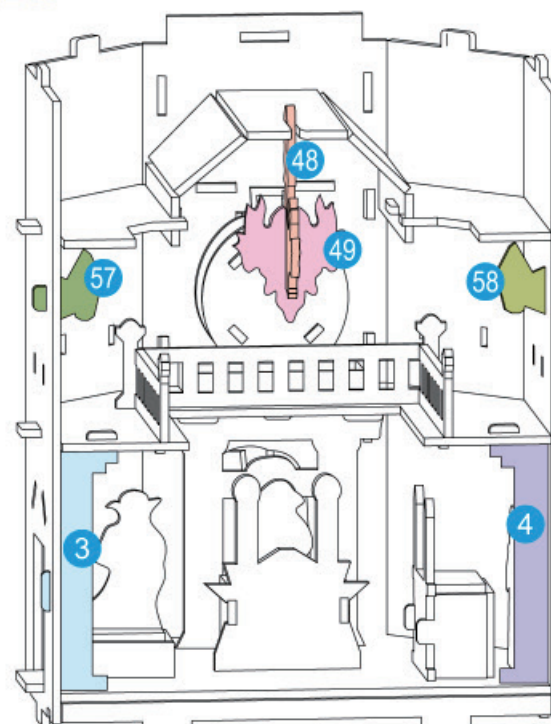
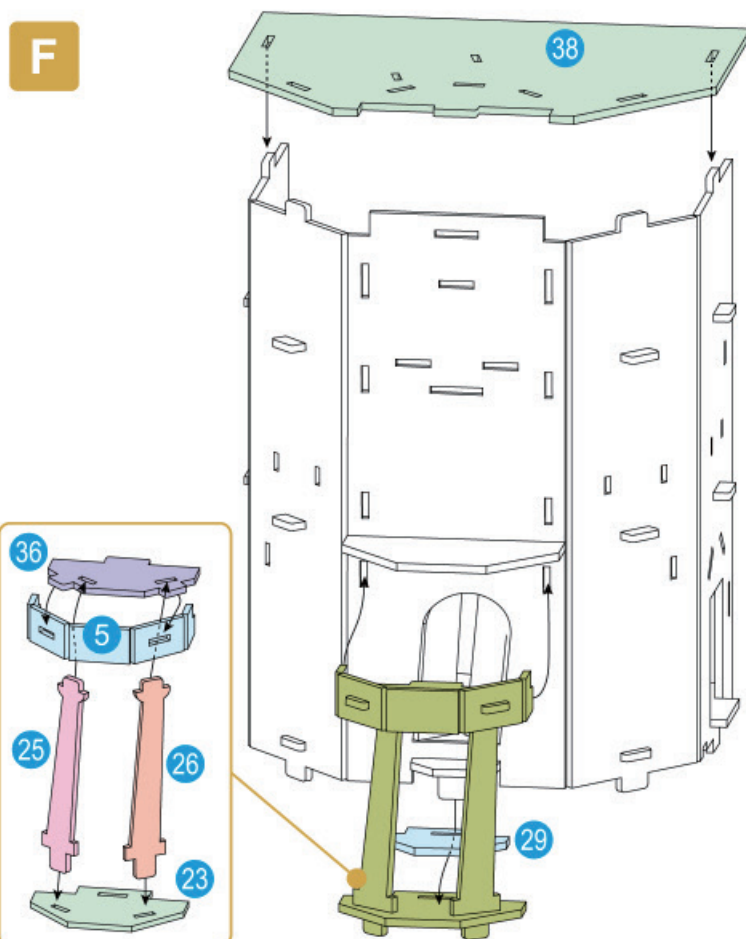
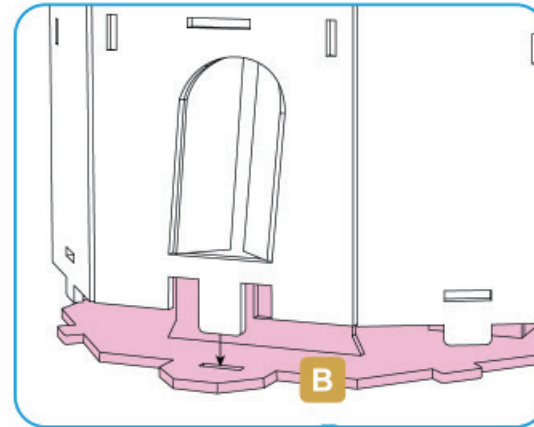
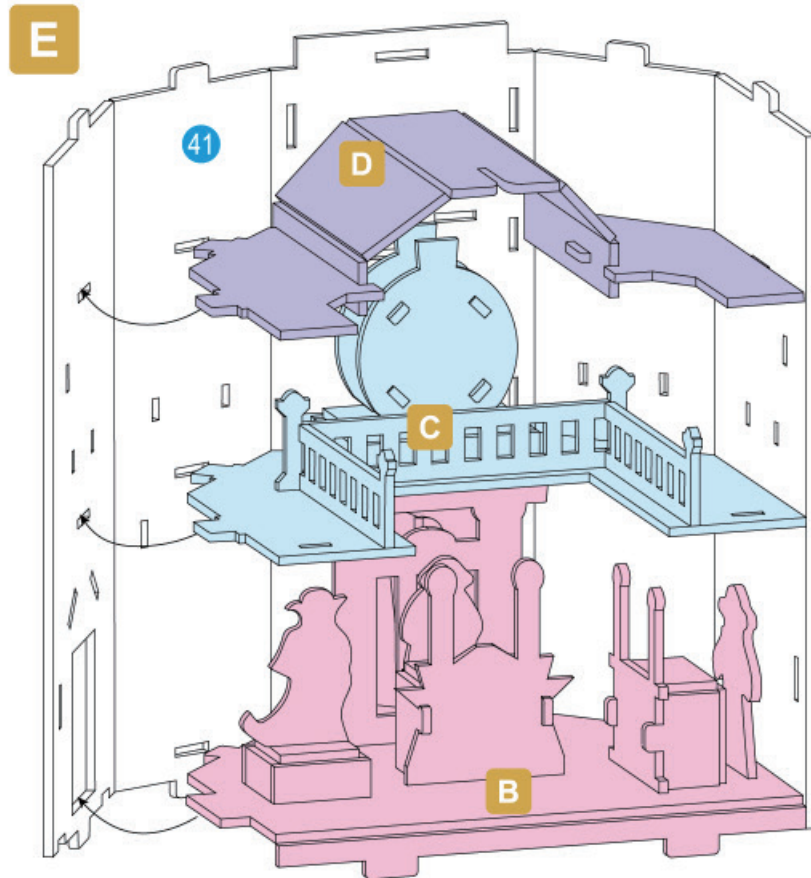
C



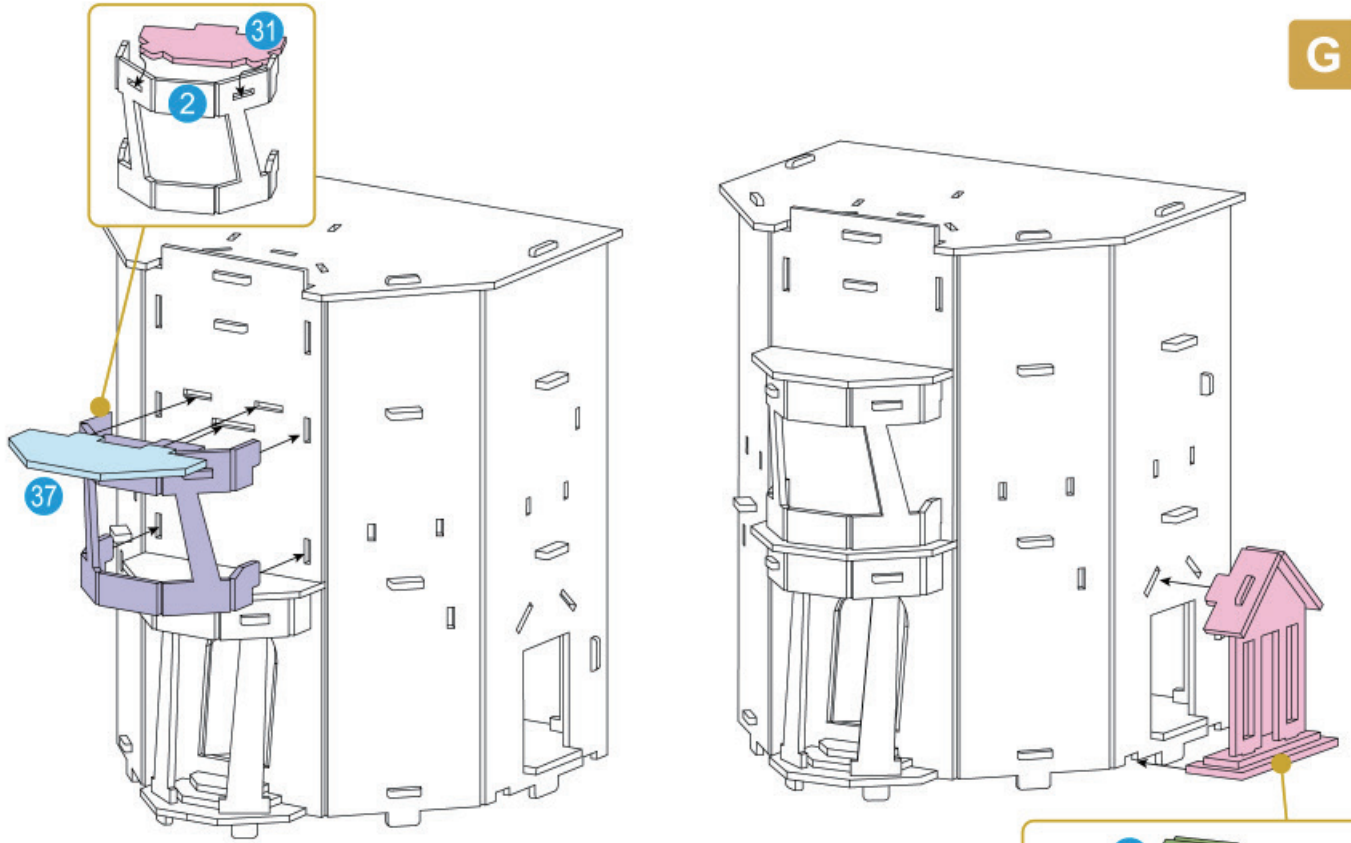
D



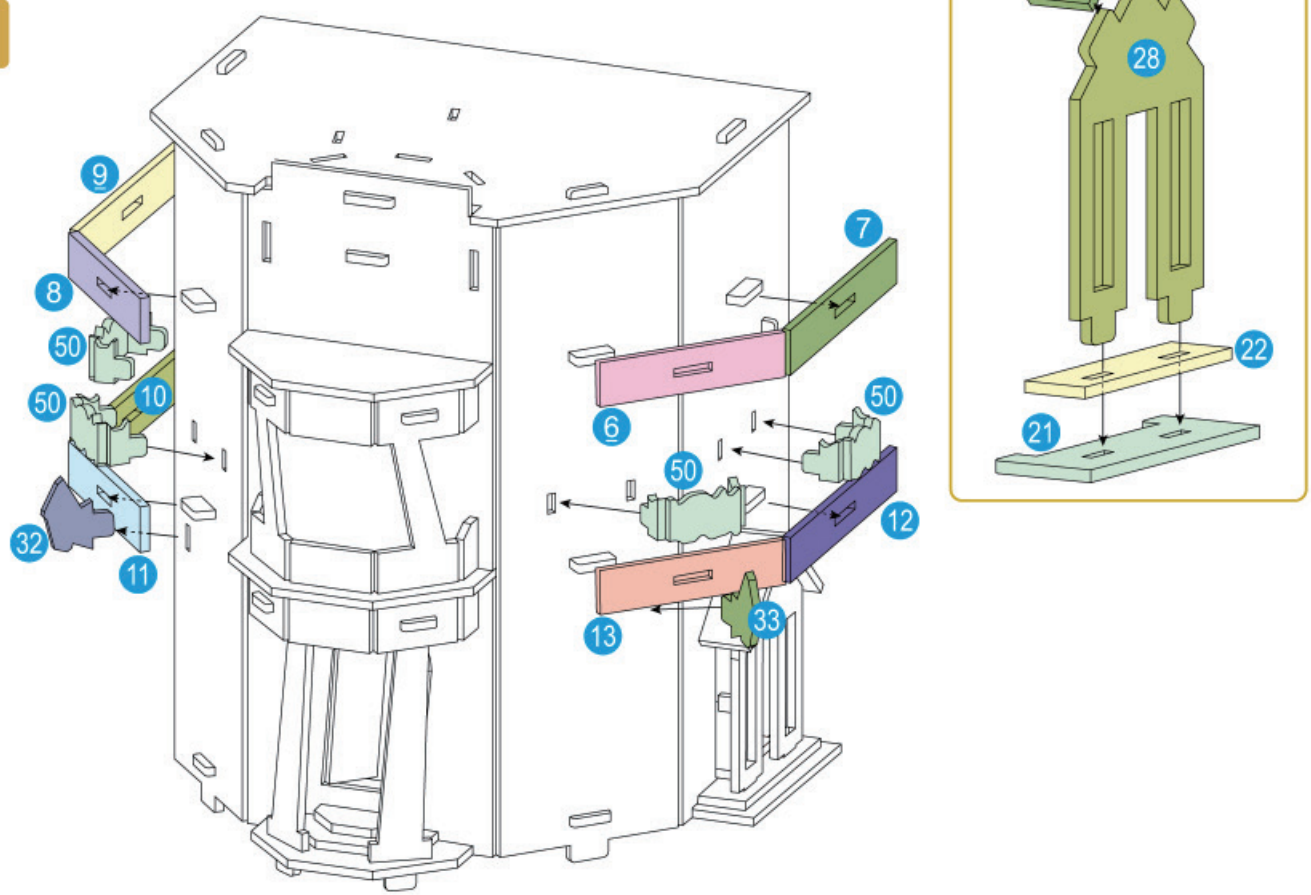
E



G

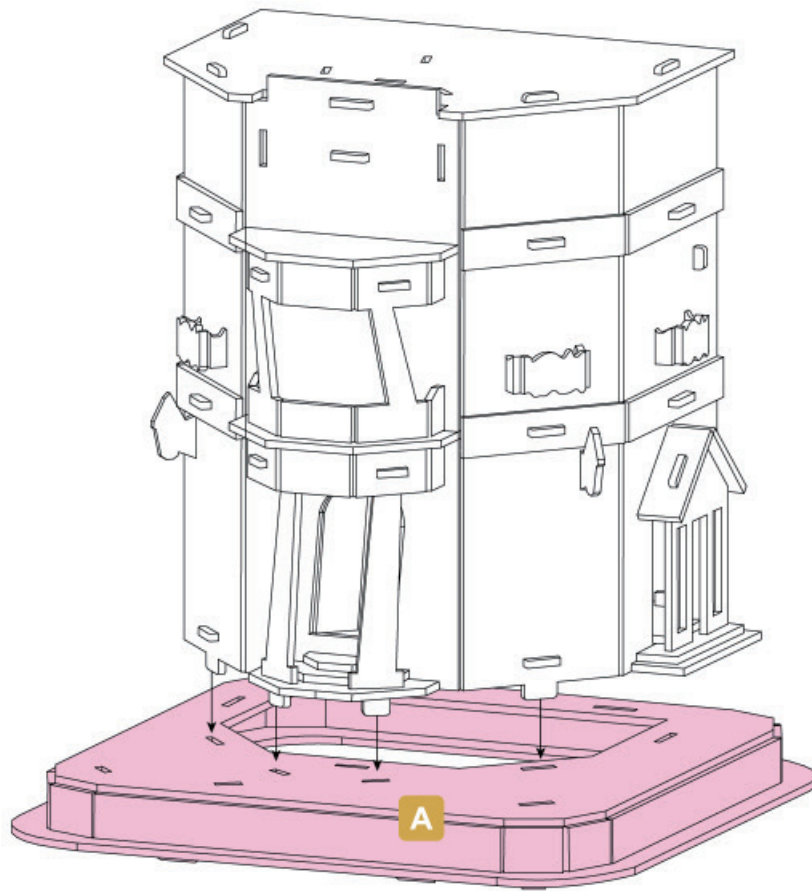


H

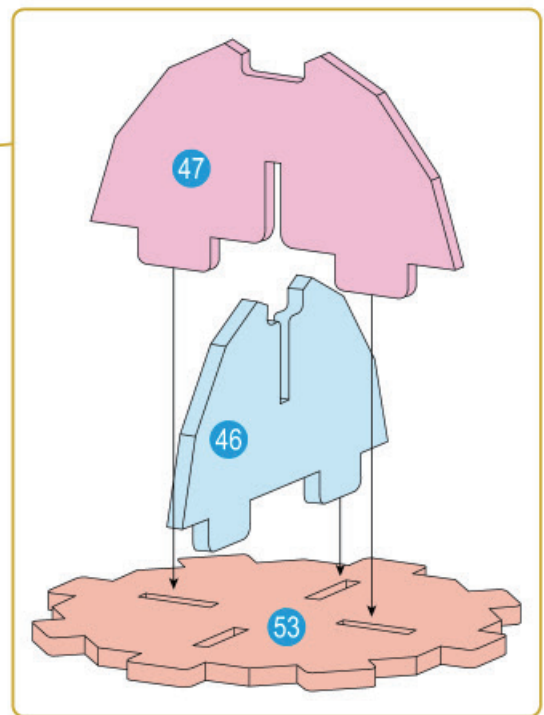
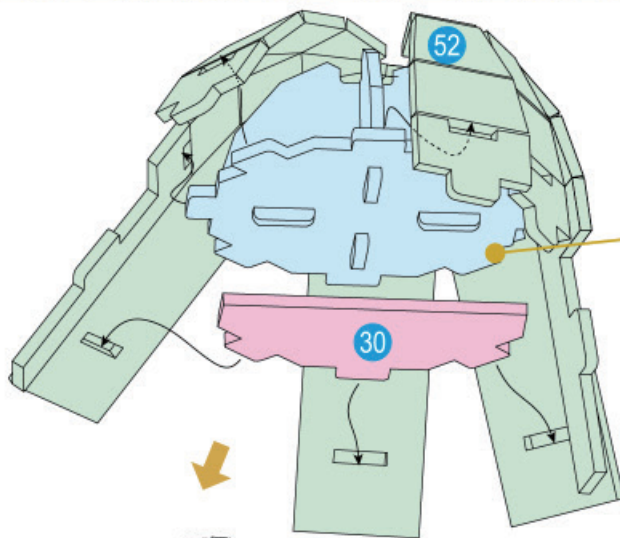


E

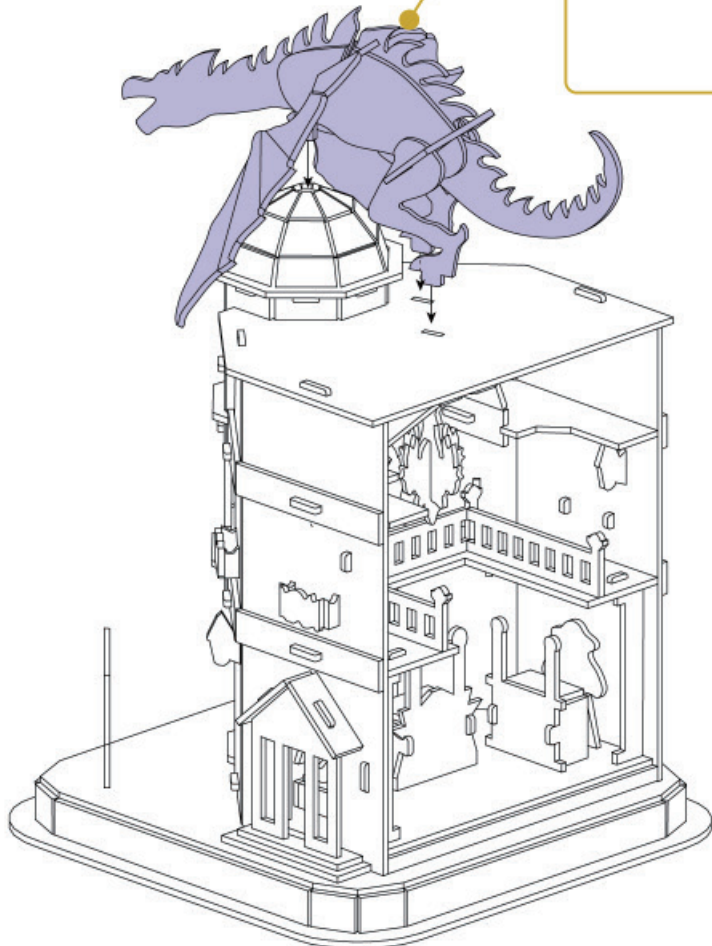
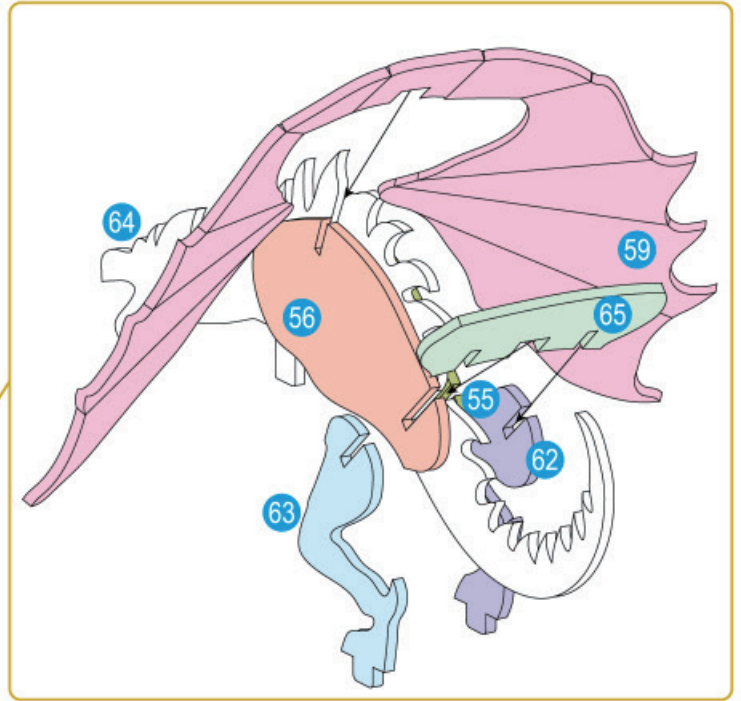
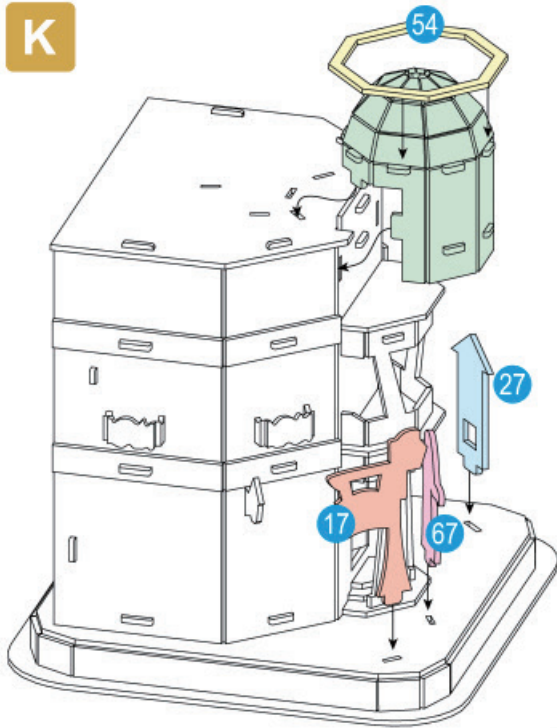
I



J



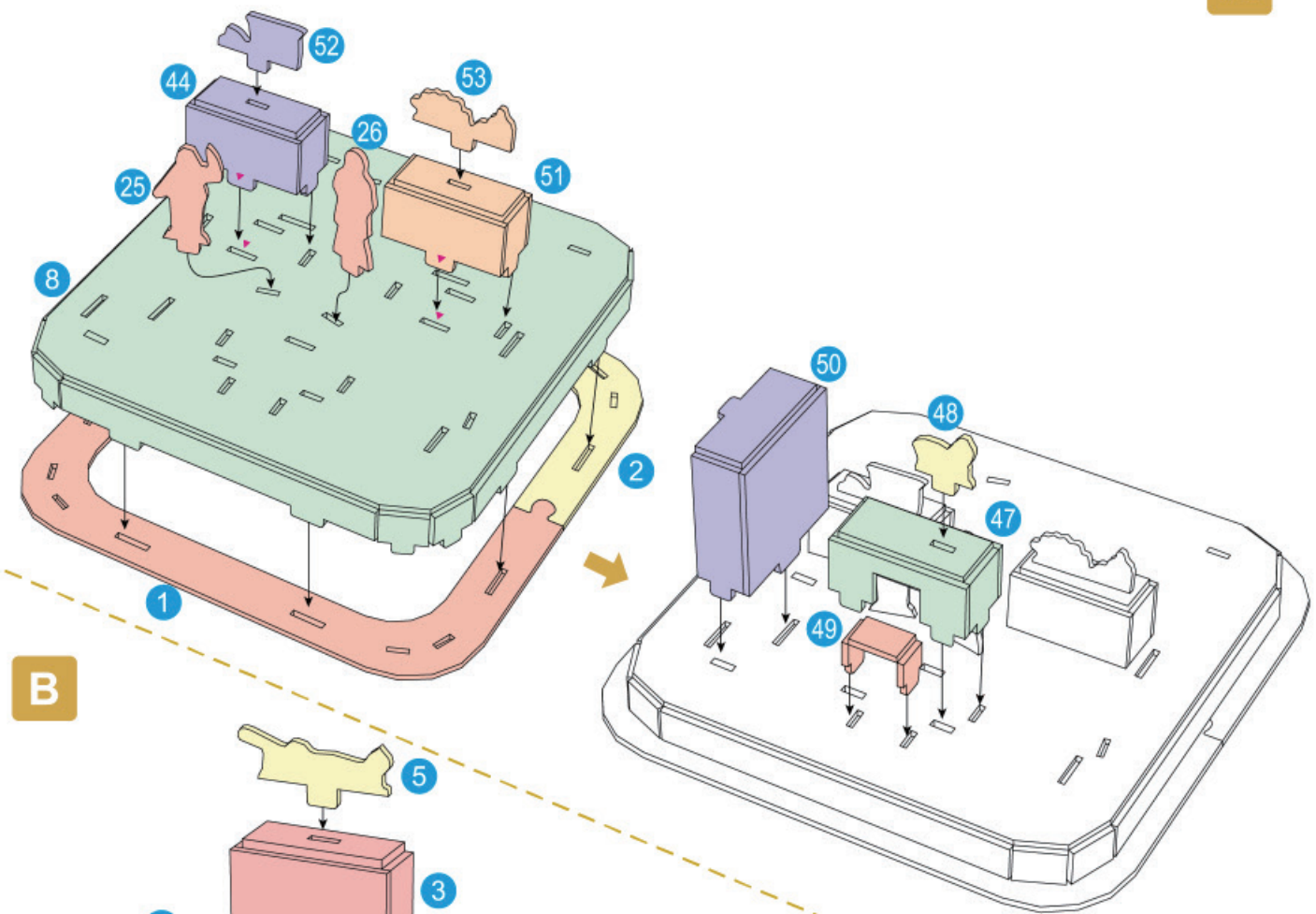
K



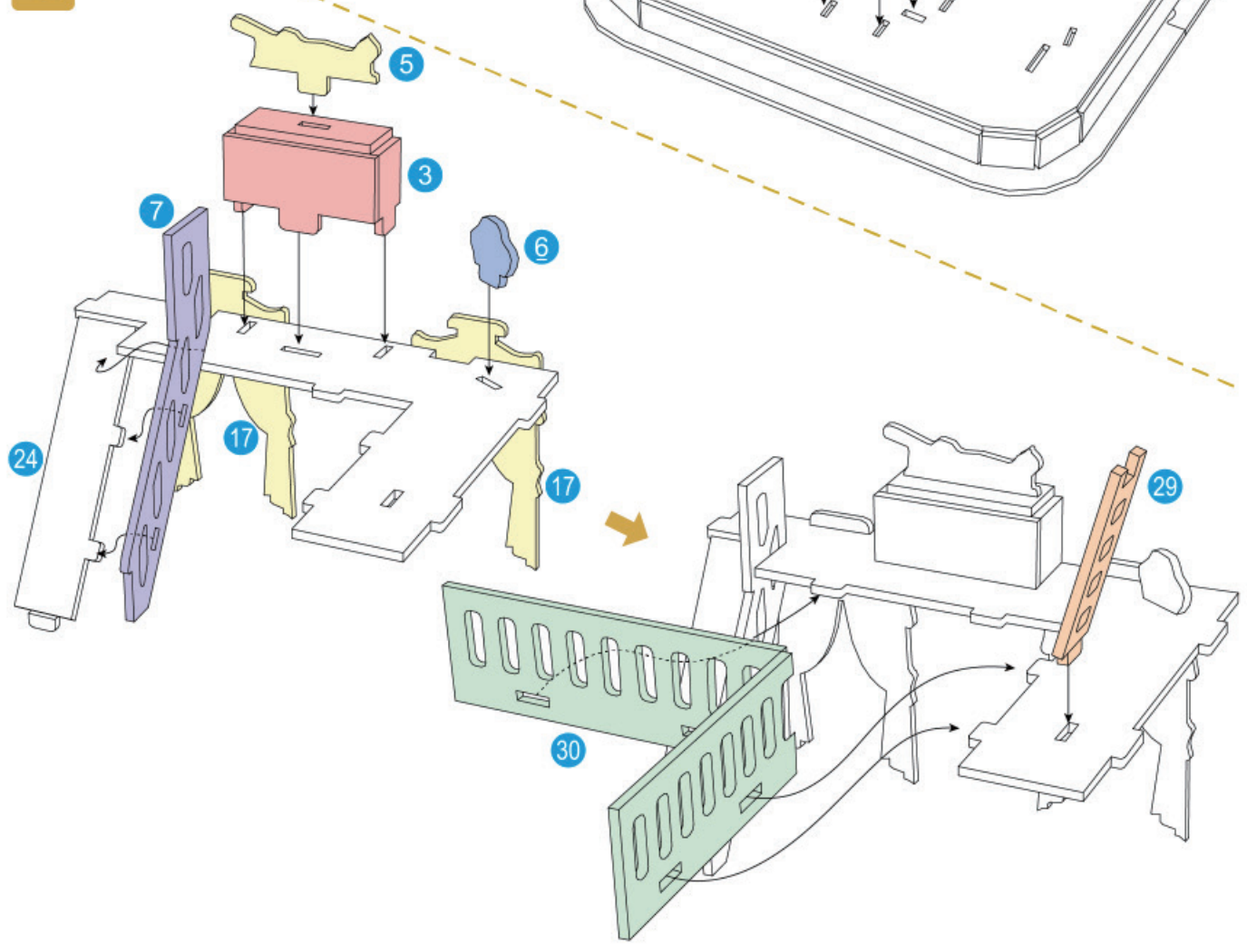
E

Ollivanders Wand Shop™

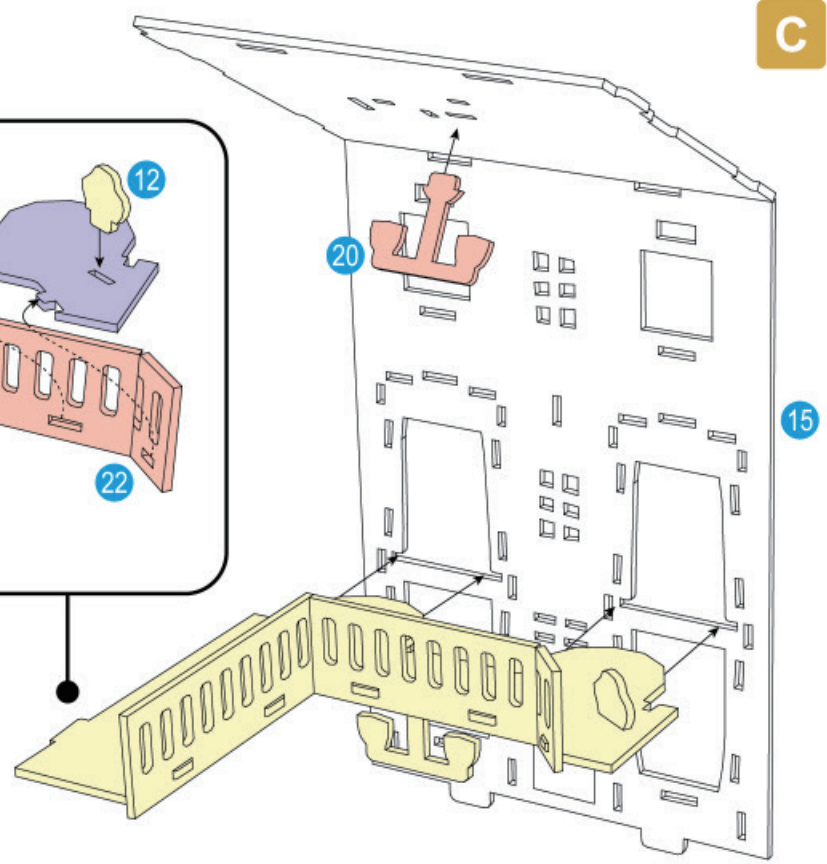
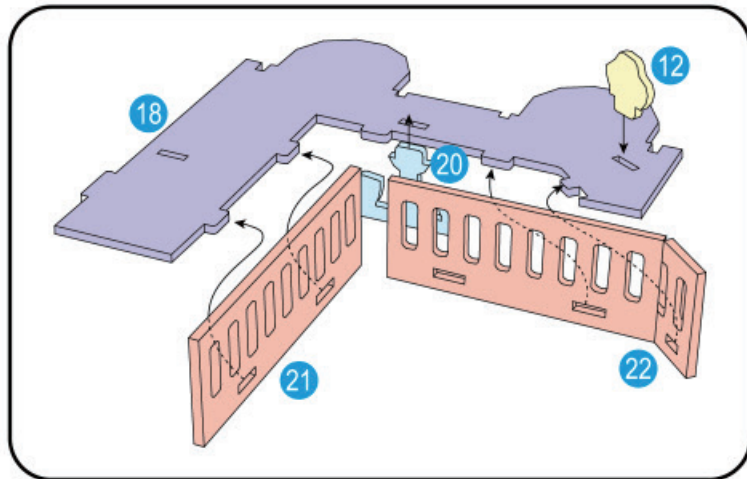
A



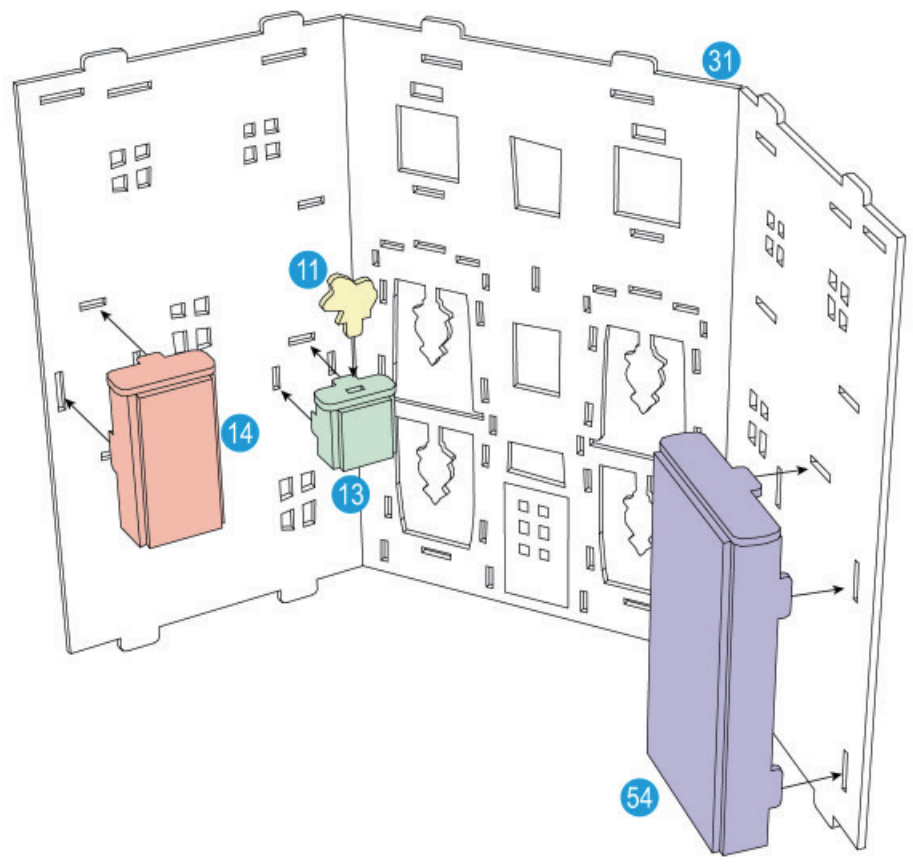
B



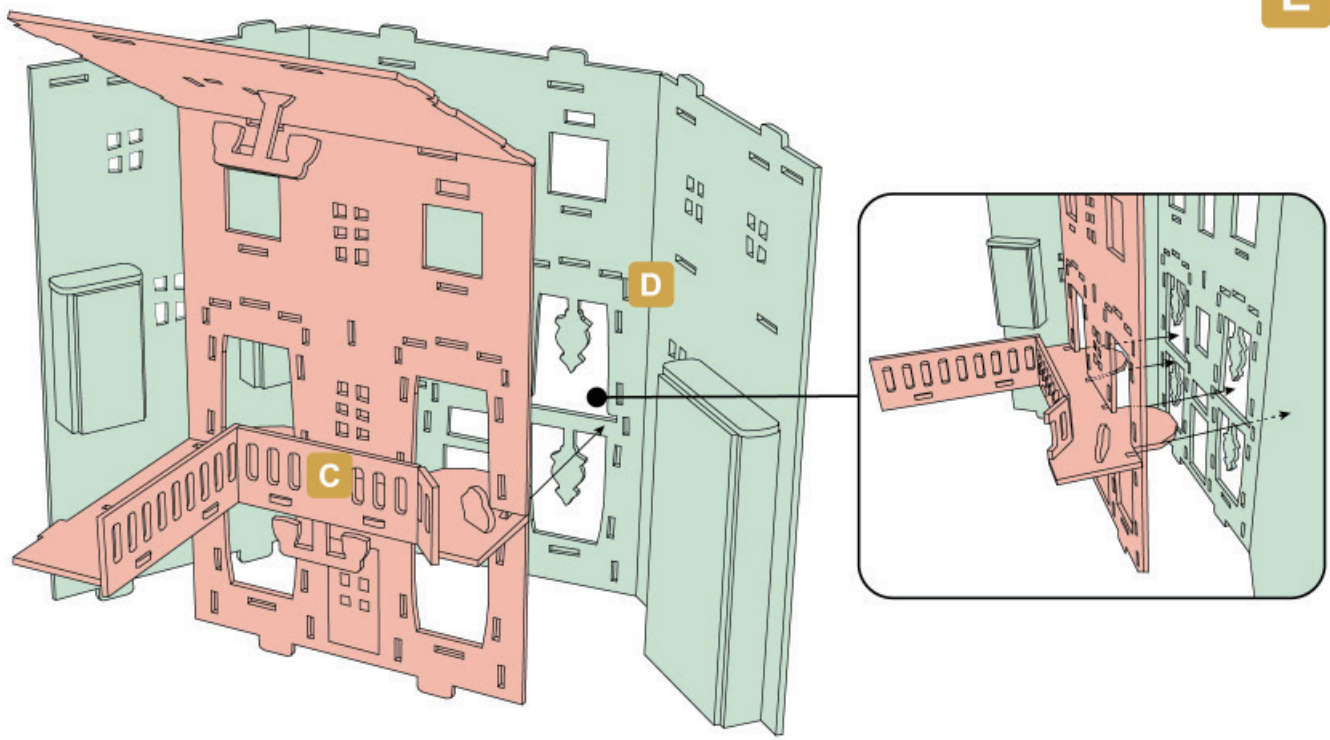
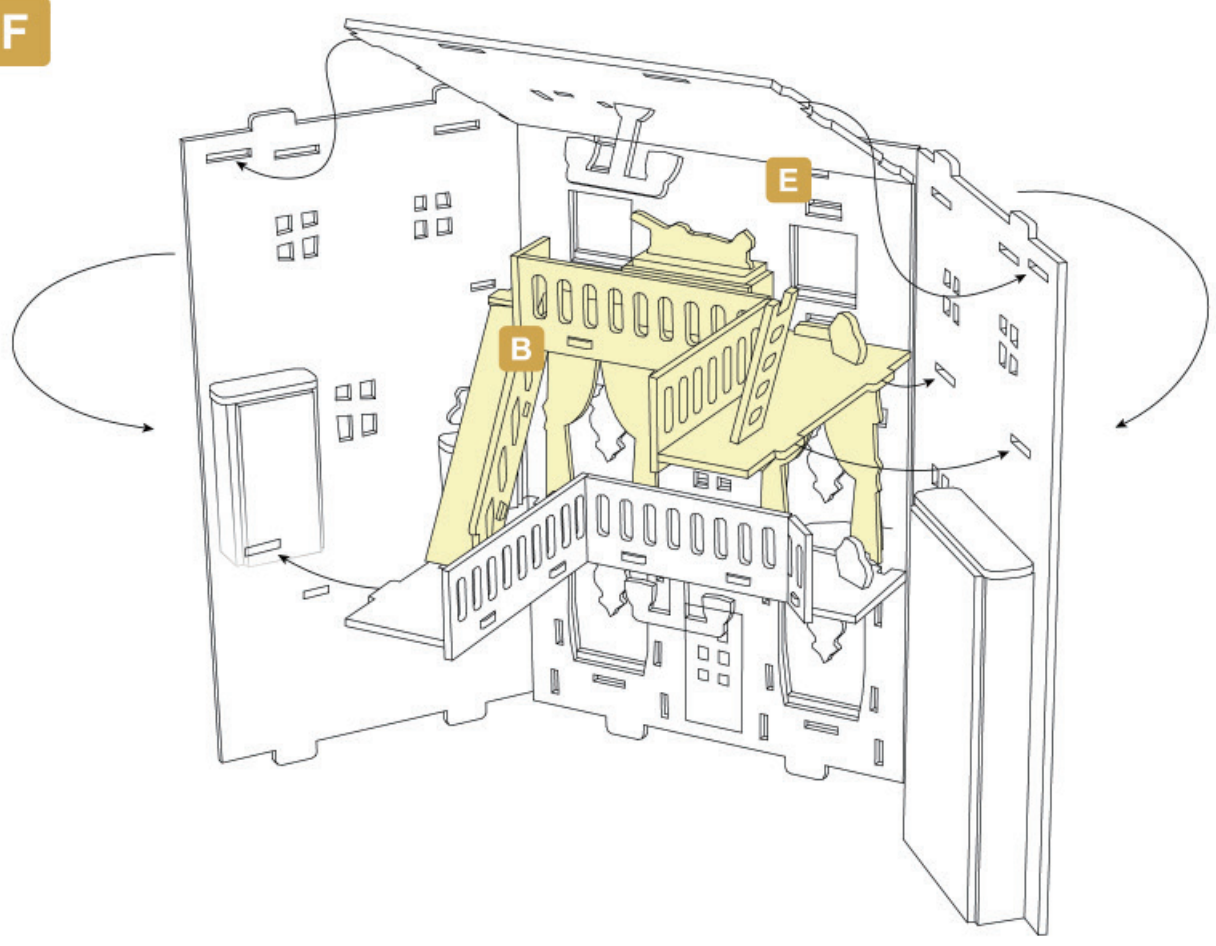
C



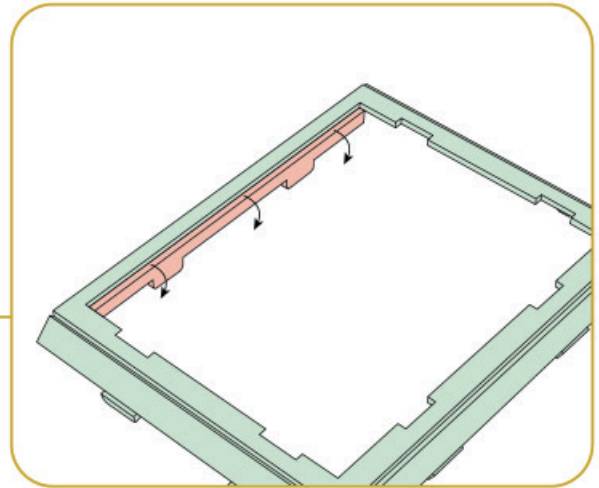
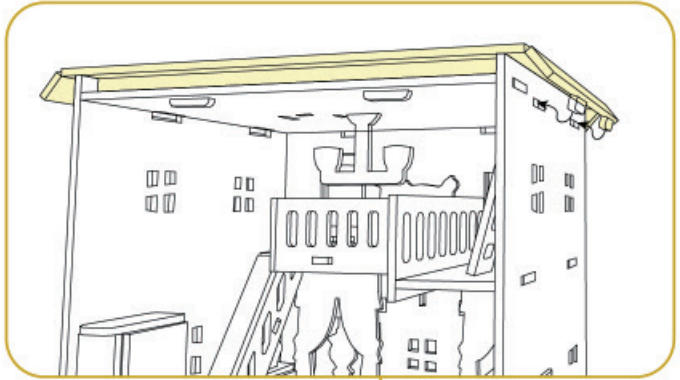
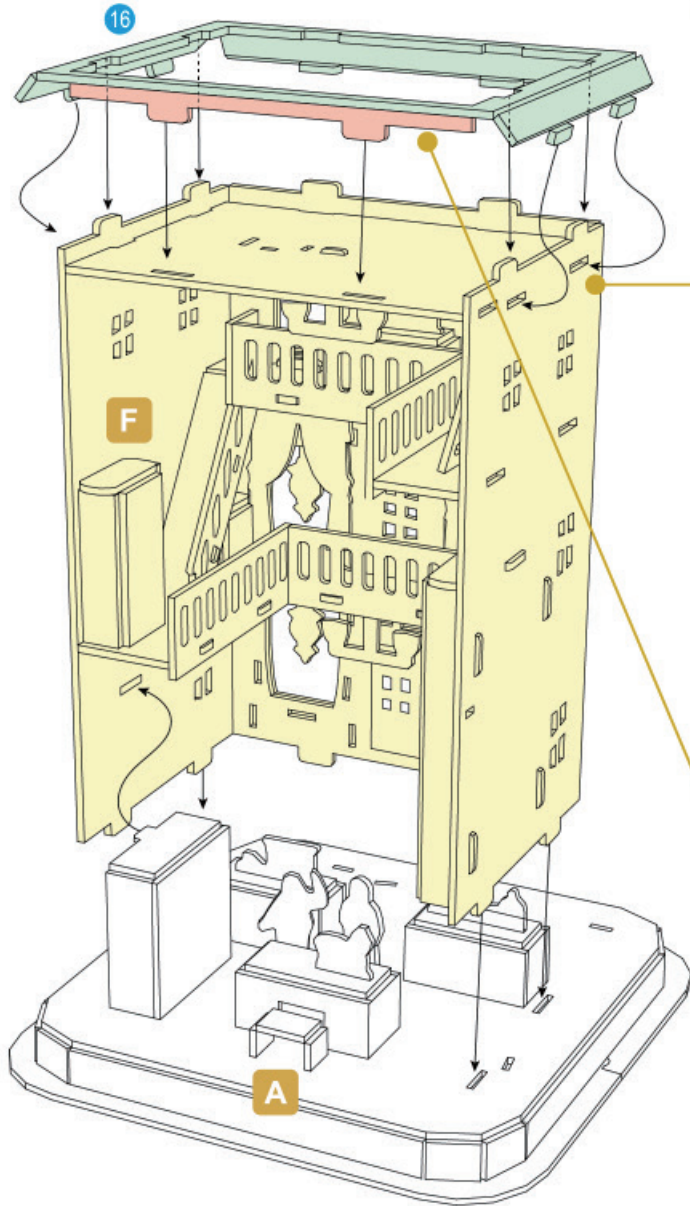
D



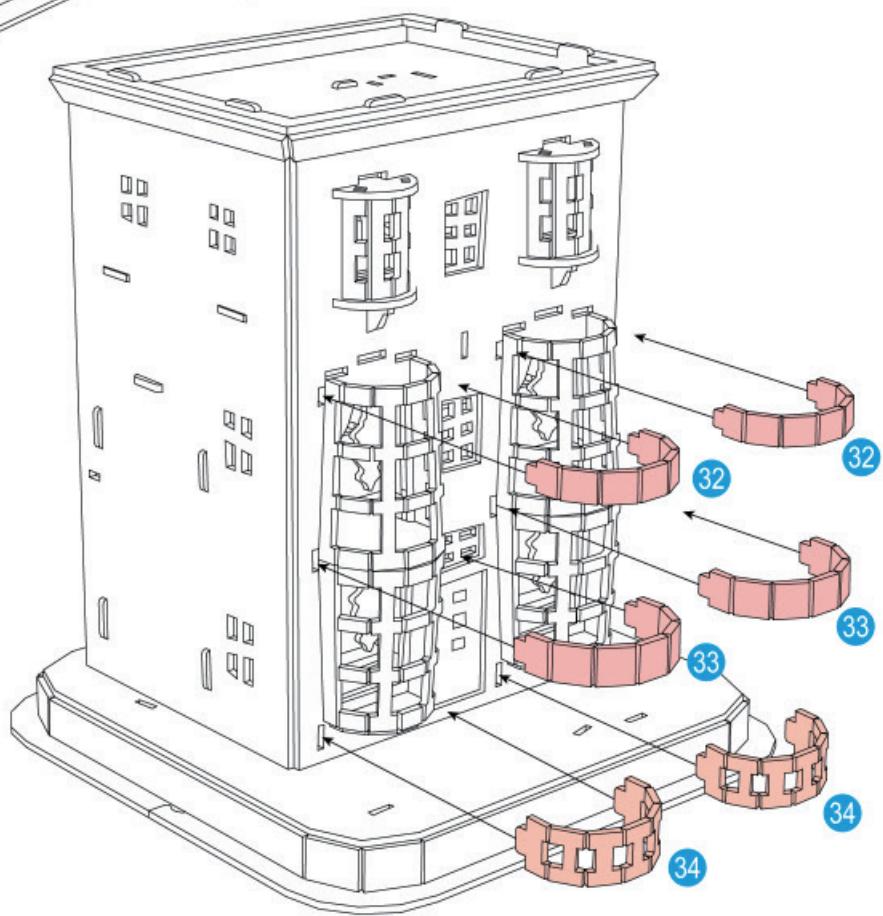
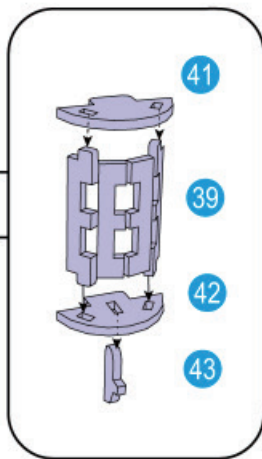
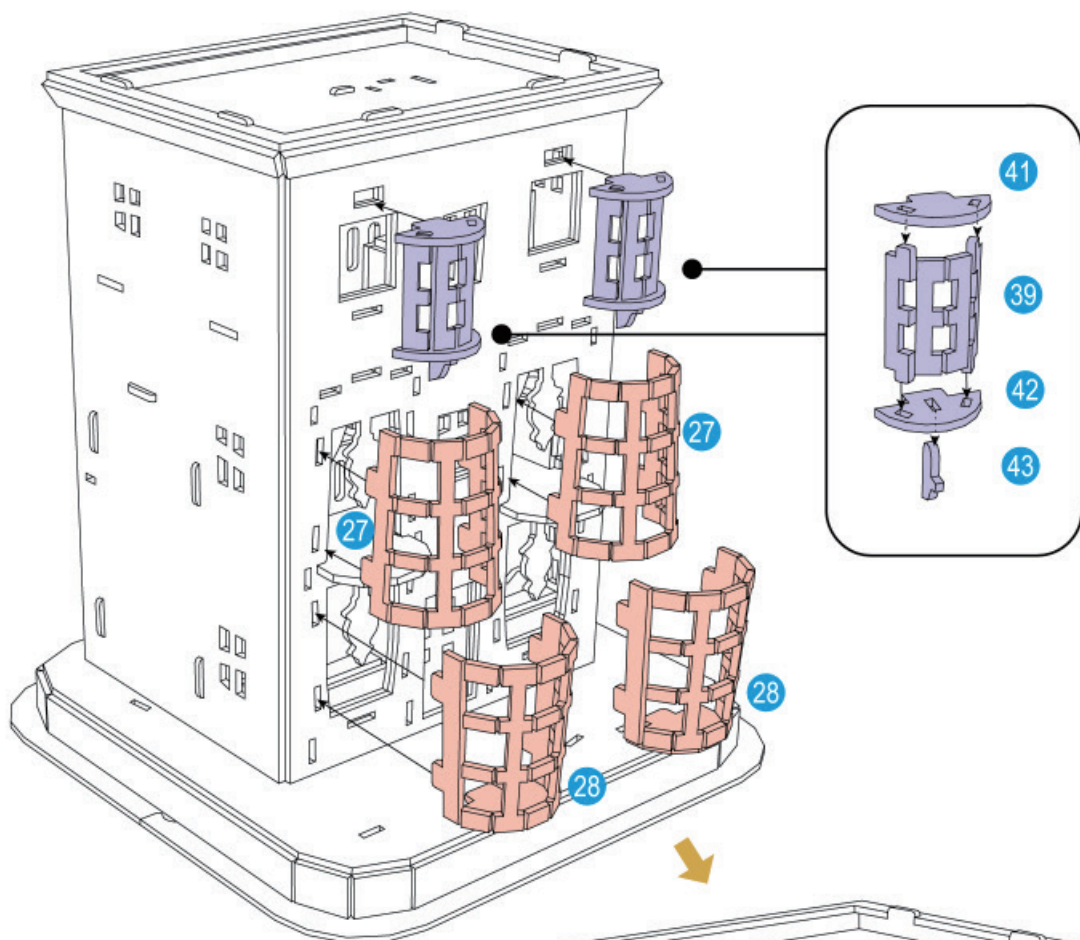
E

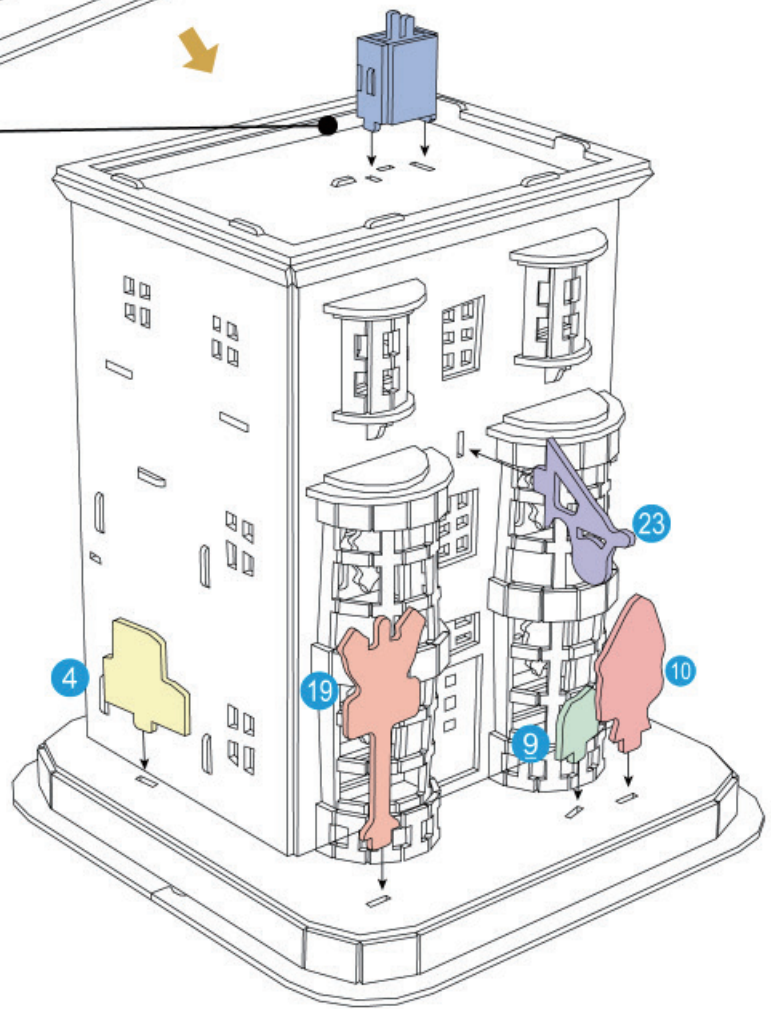
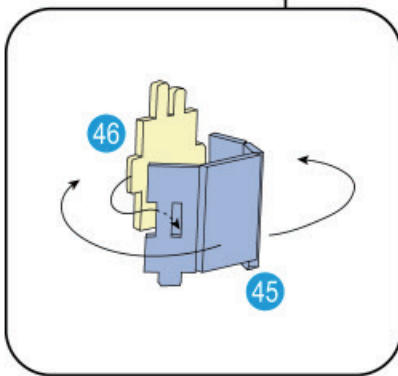
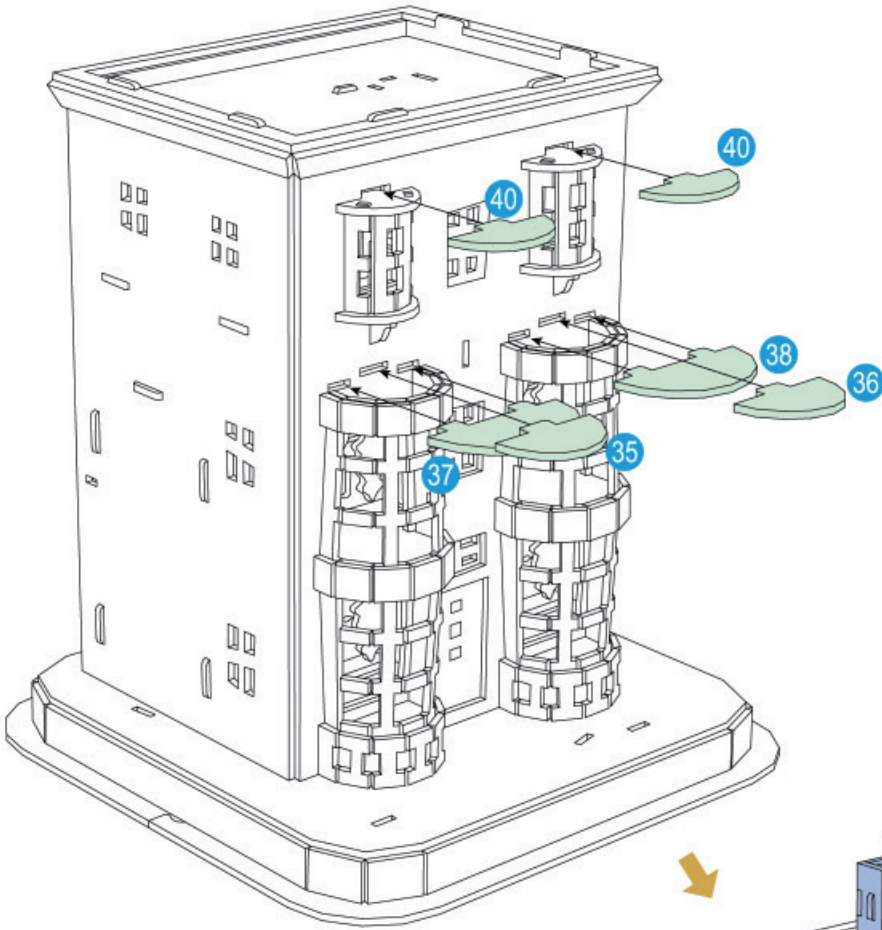
E**F**

G

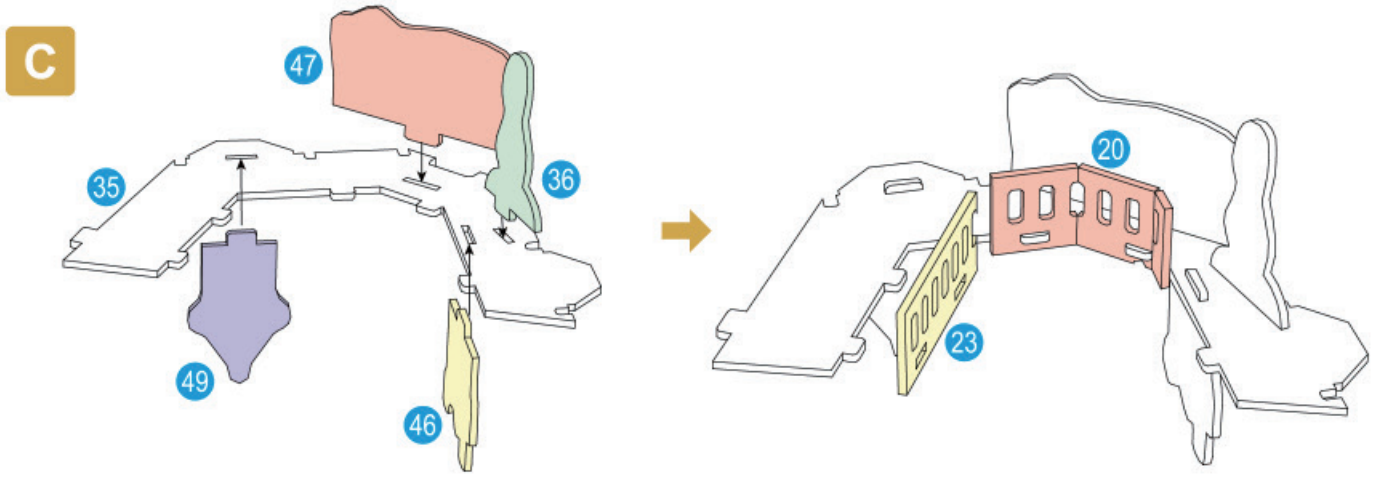
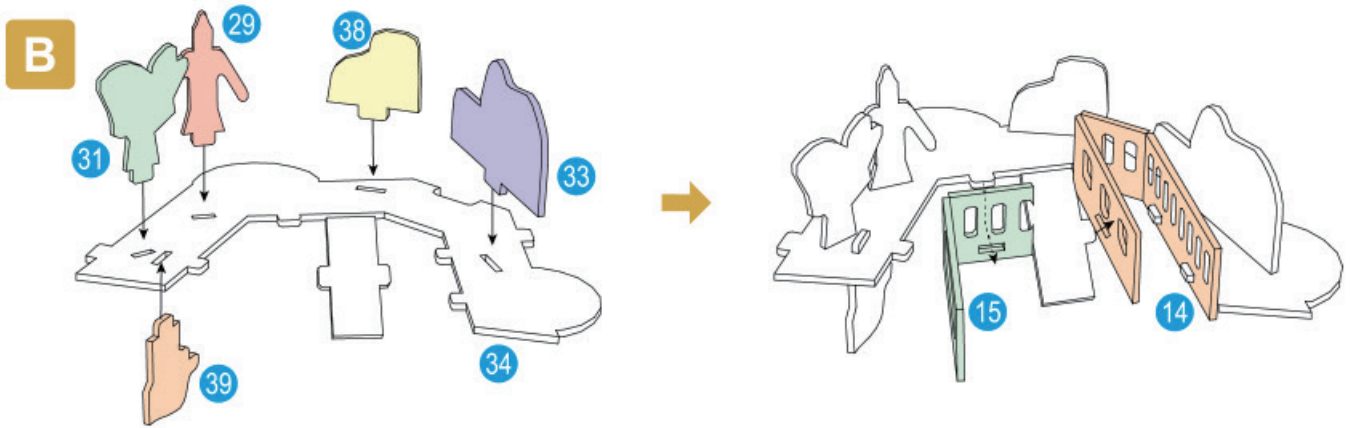
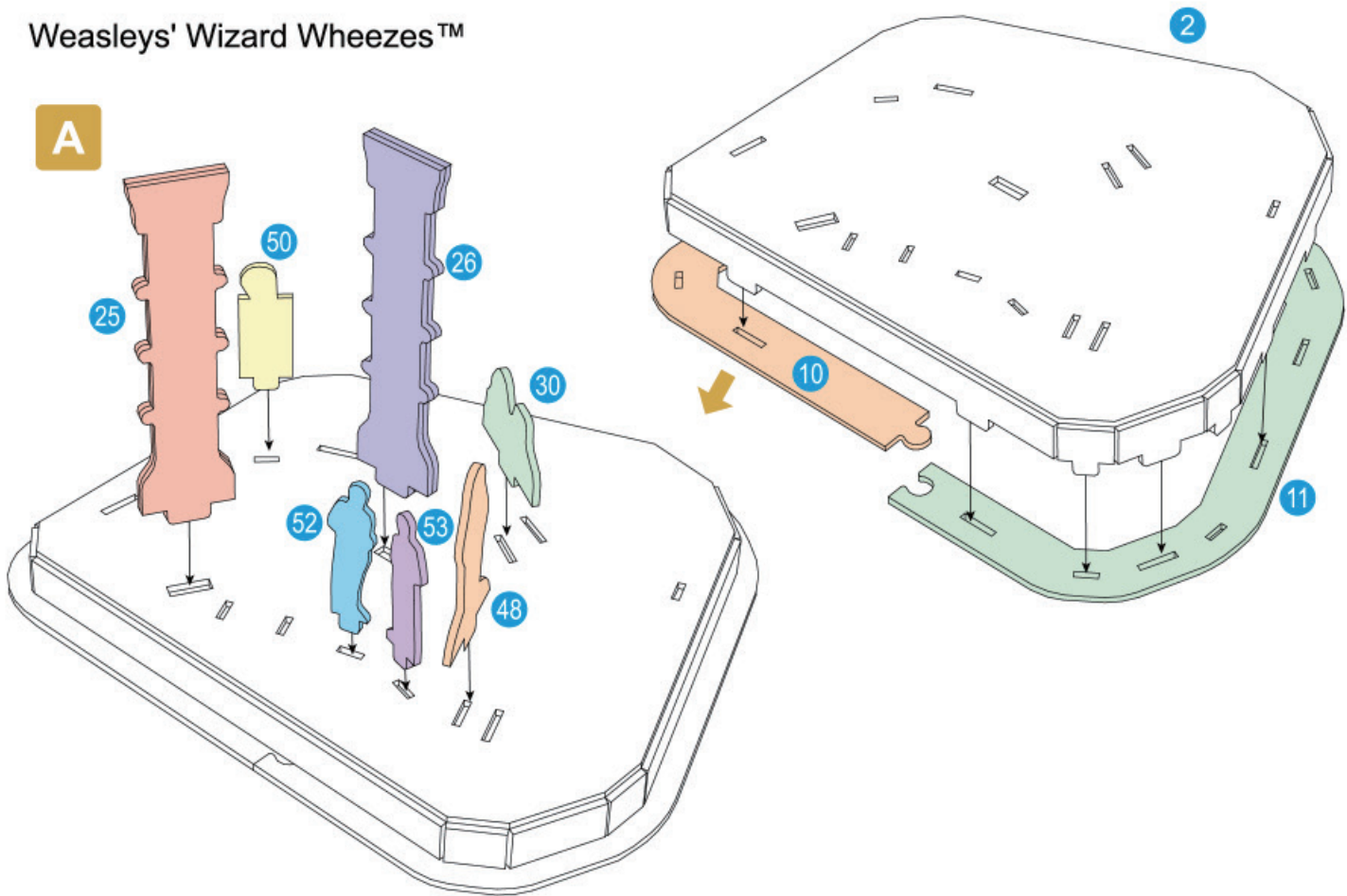


E

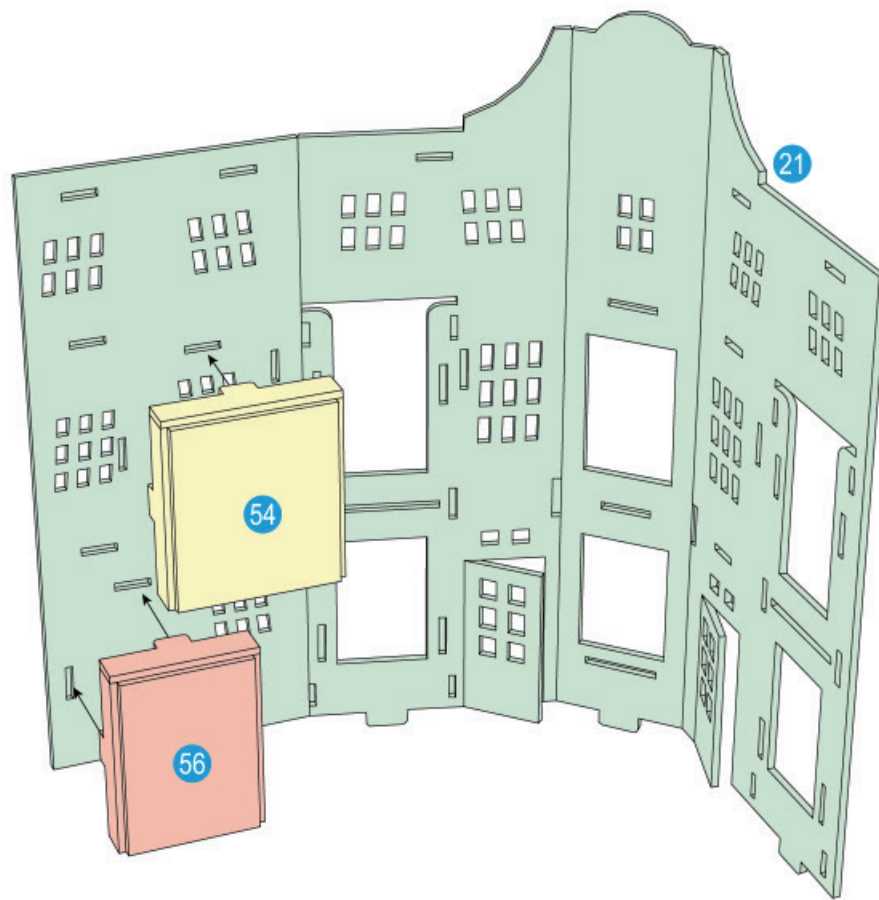




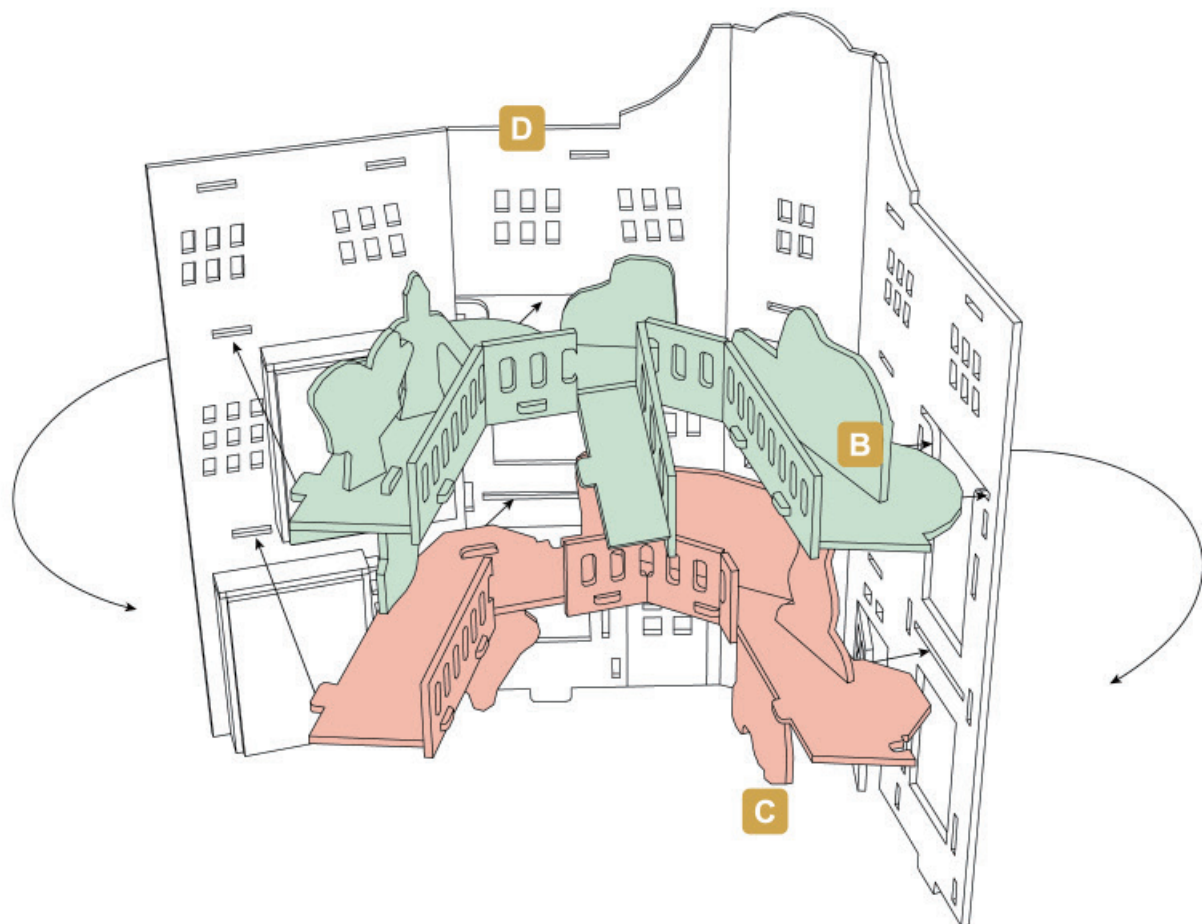
Weasleys' Wizard Wheezes™



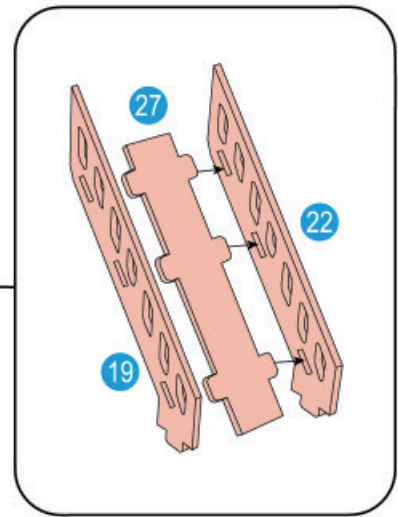
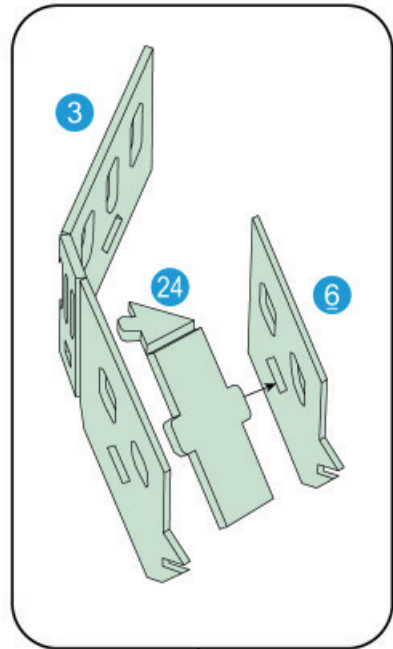
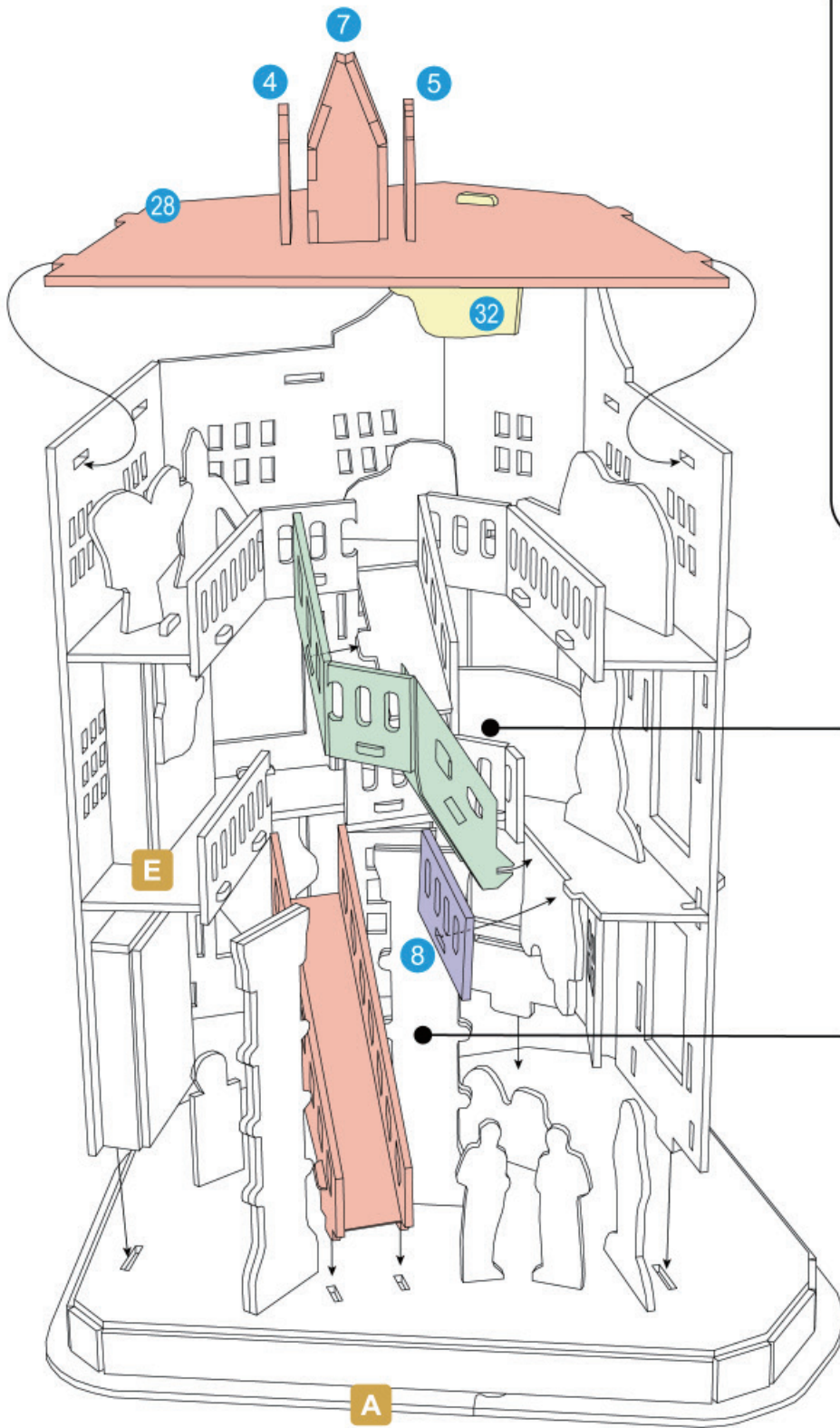
D

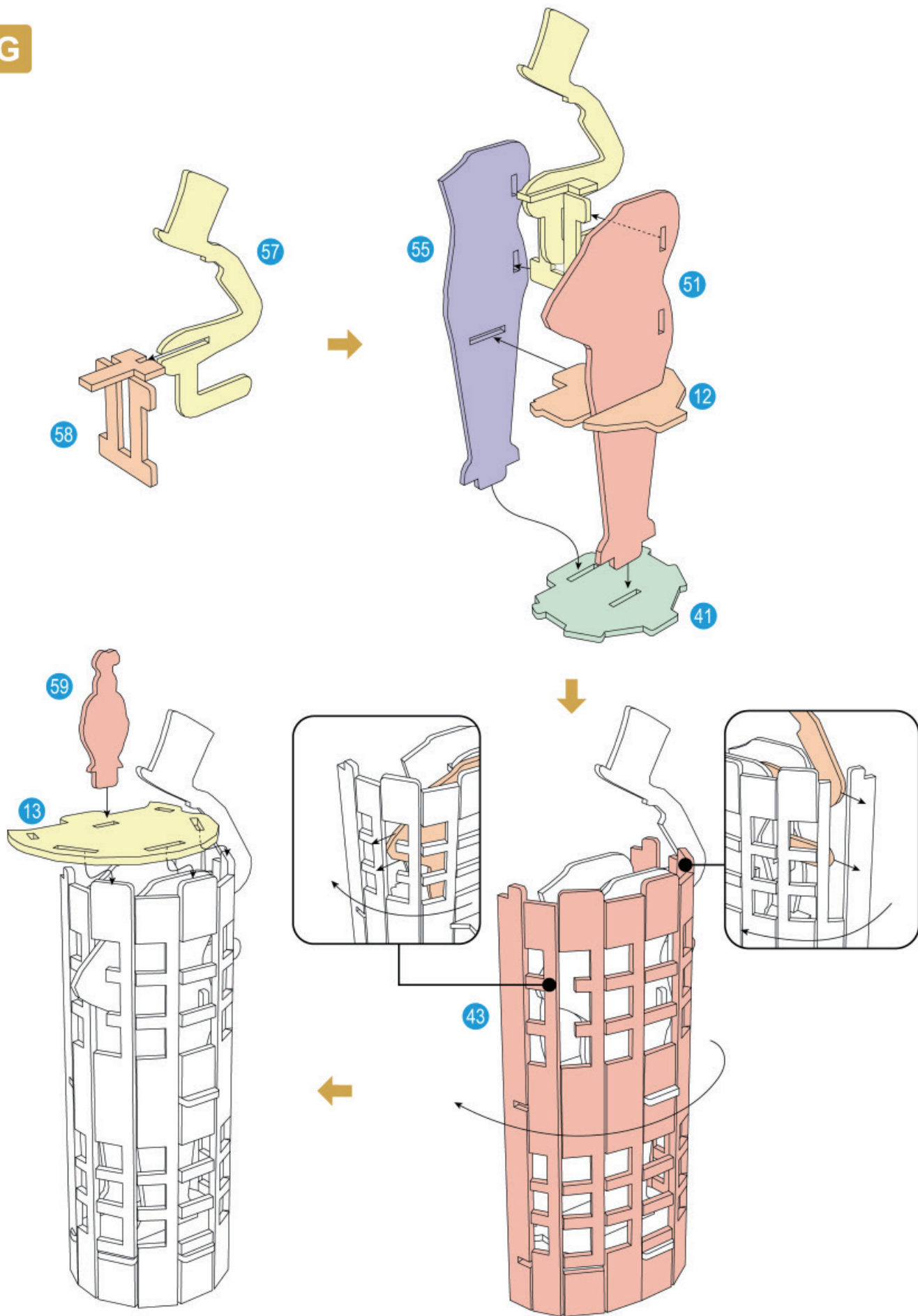


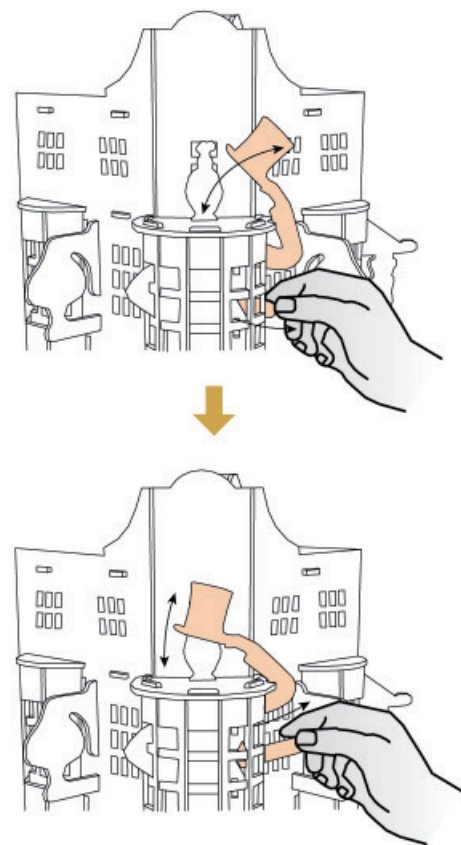
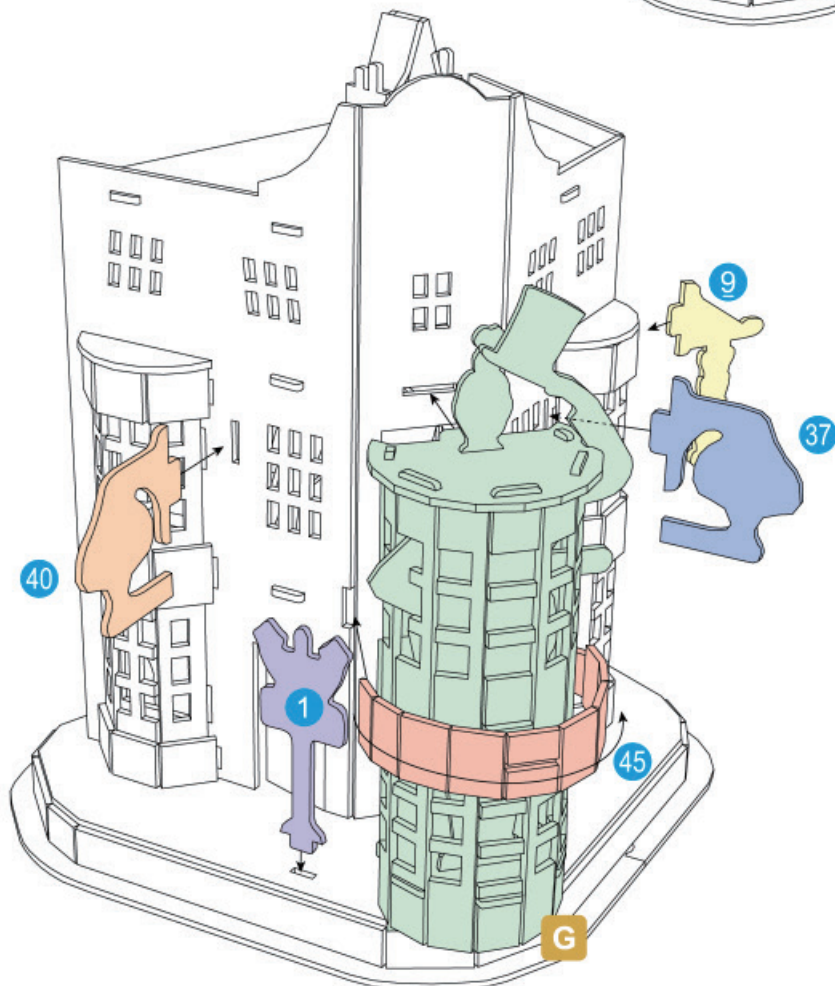
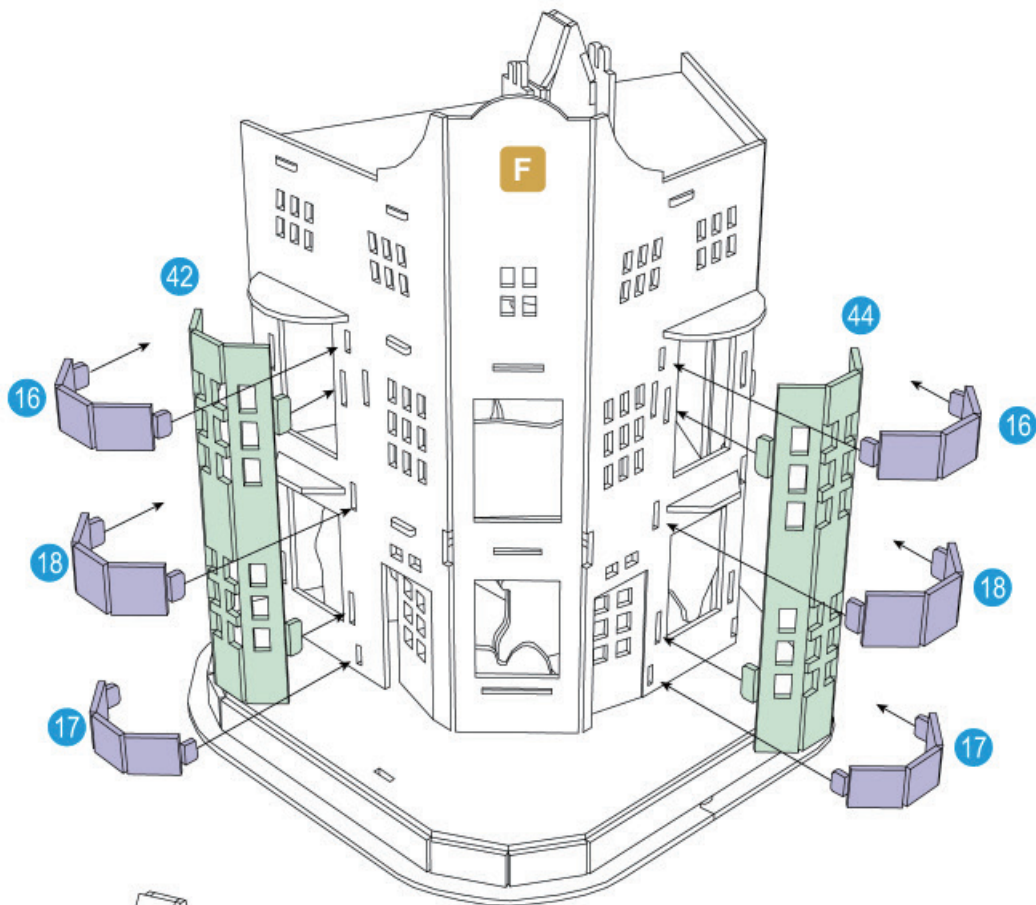
E



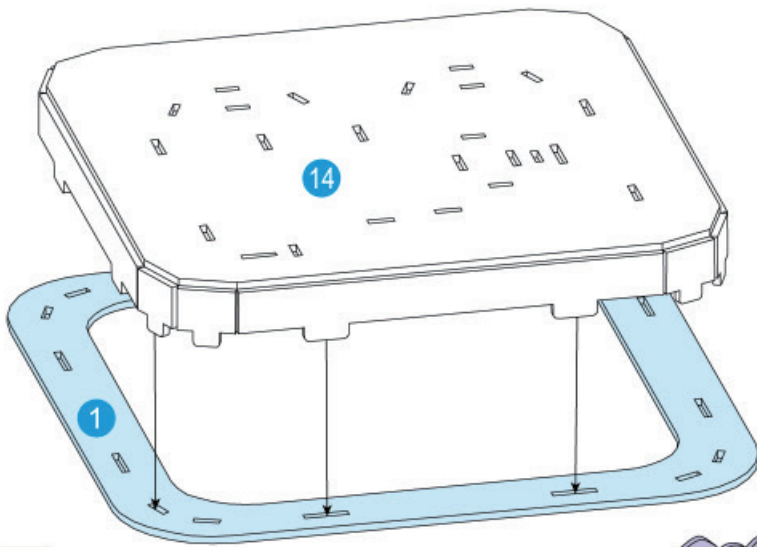
F



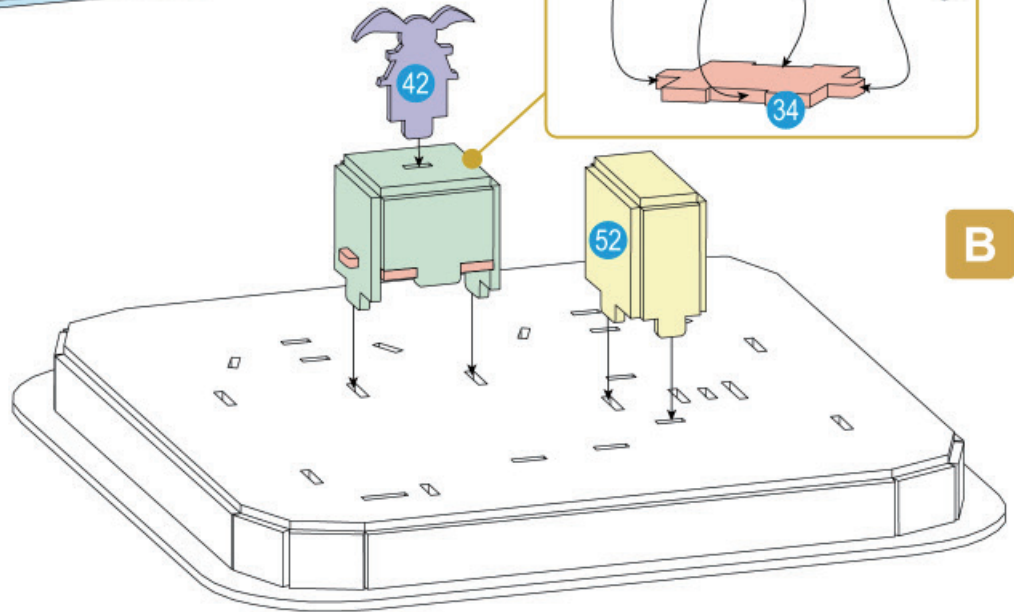
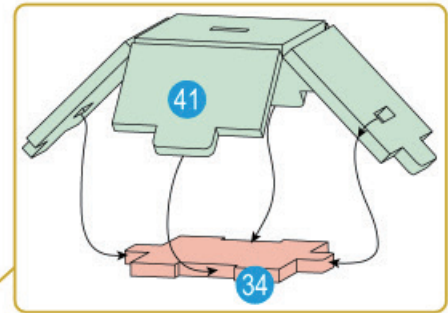
G

H

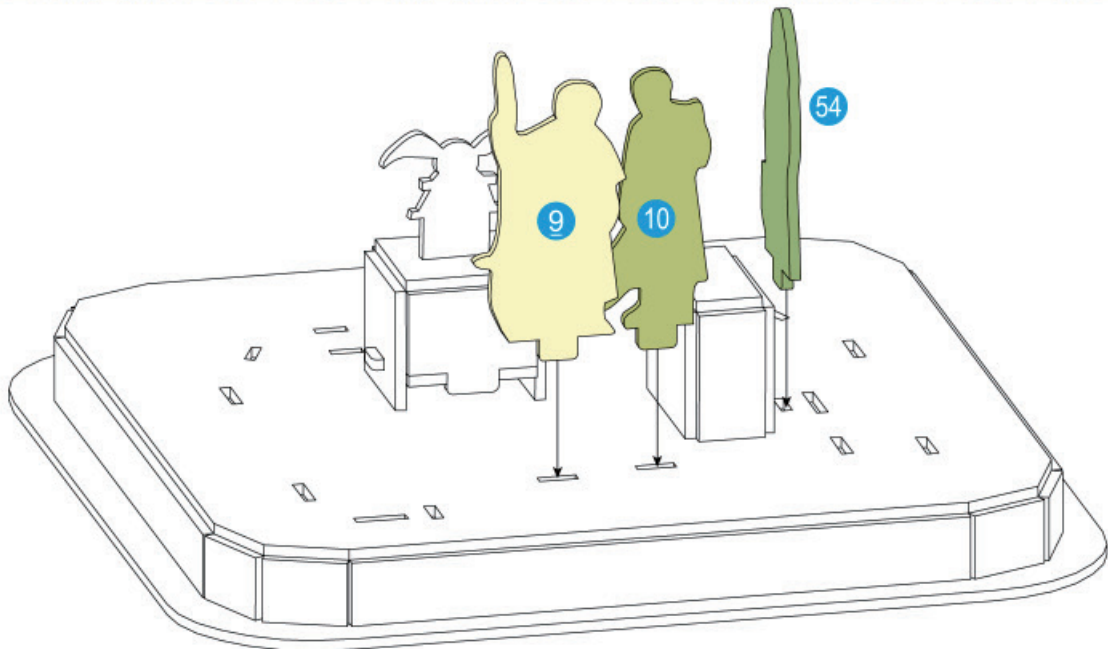
Quality Quidditch Supplies™



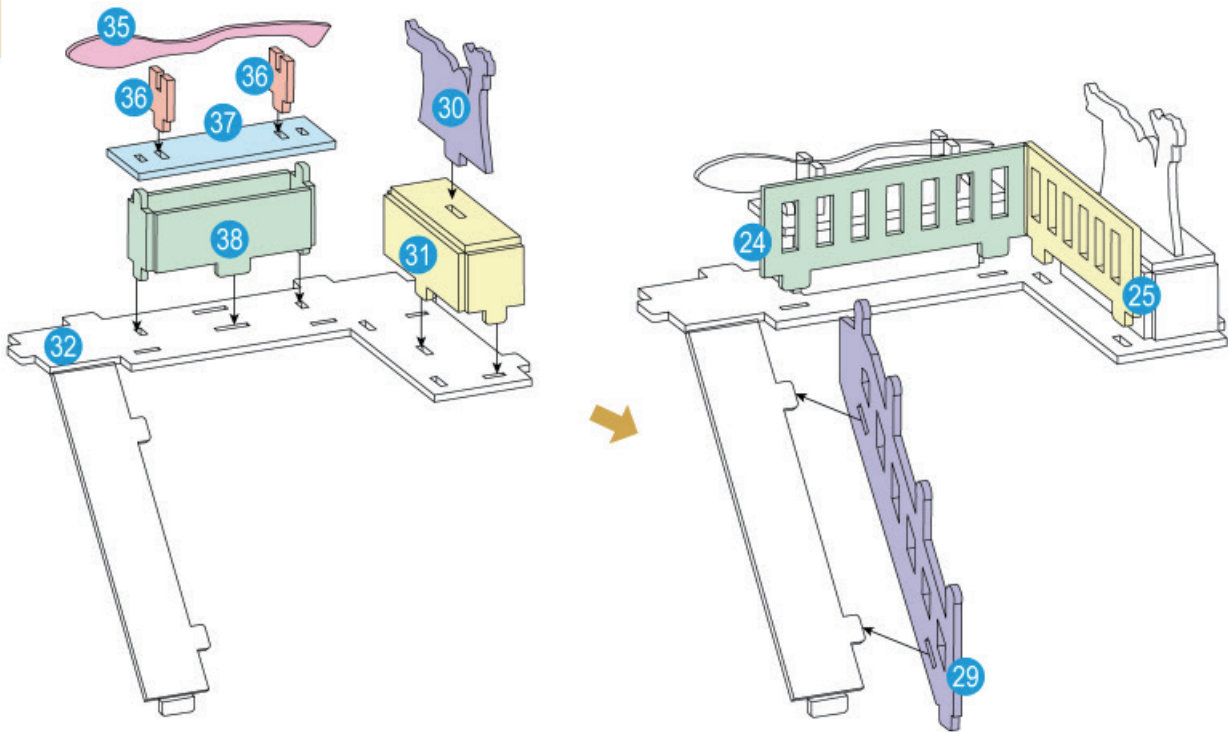
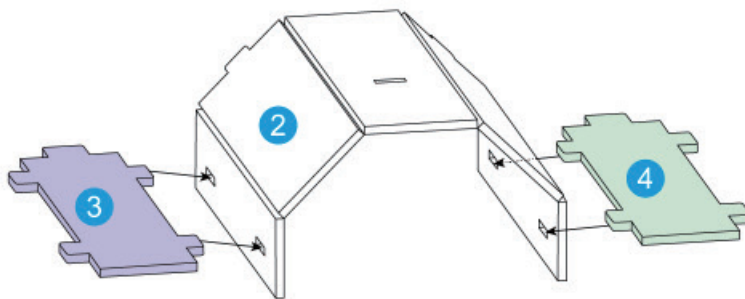
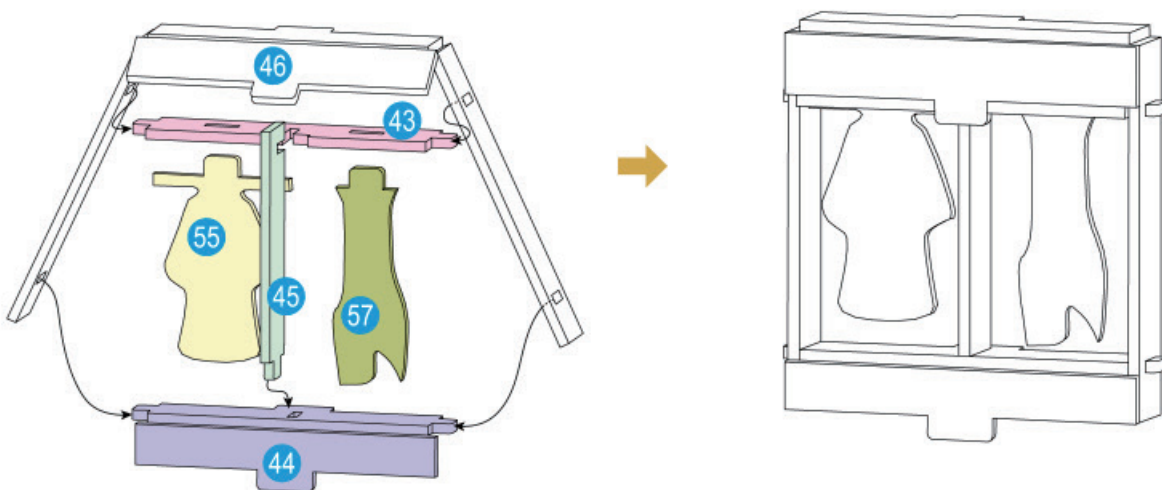
A

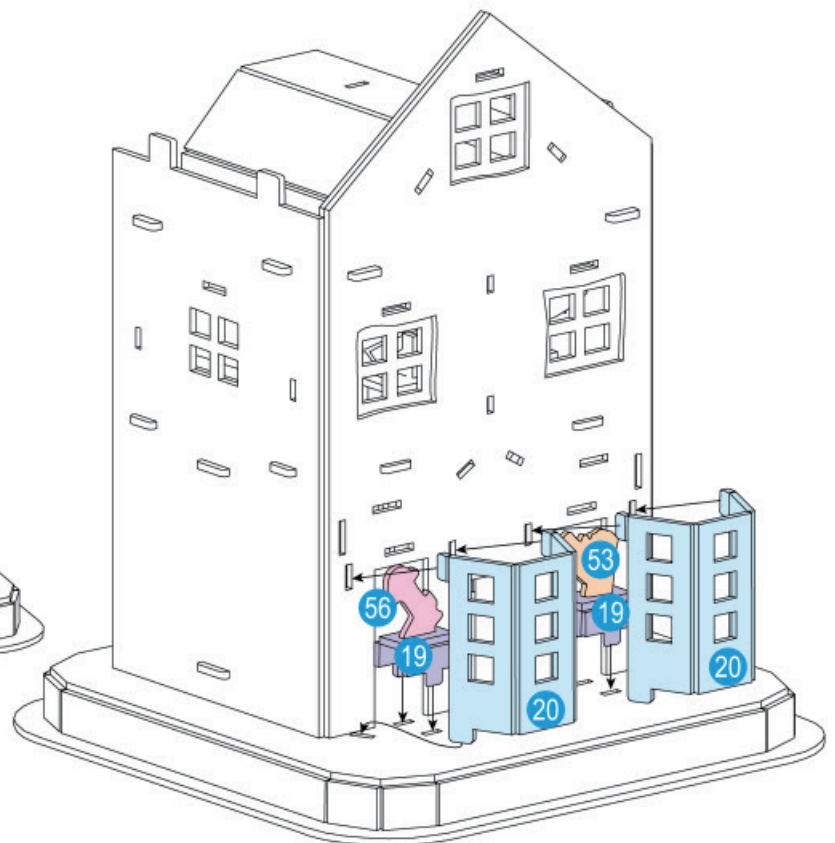
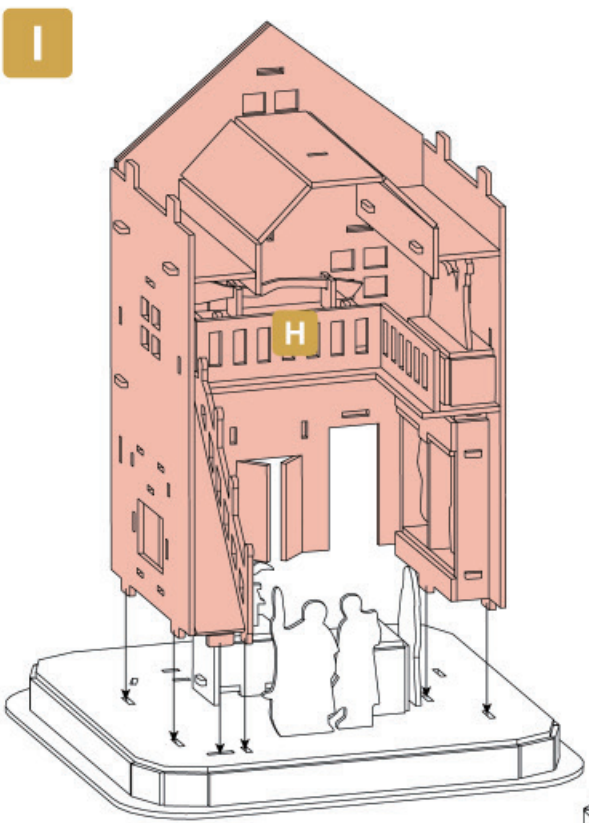
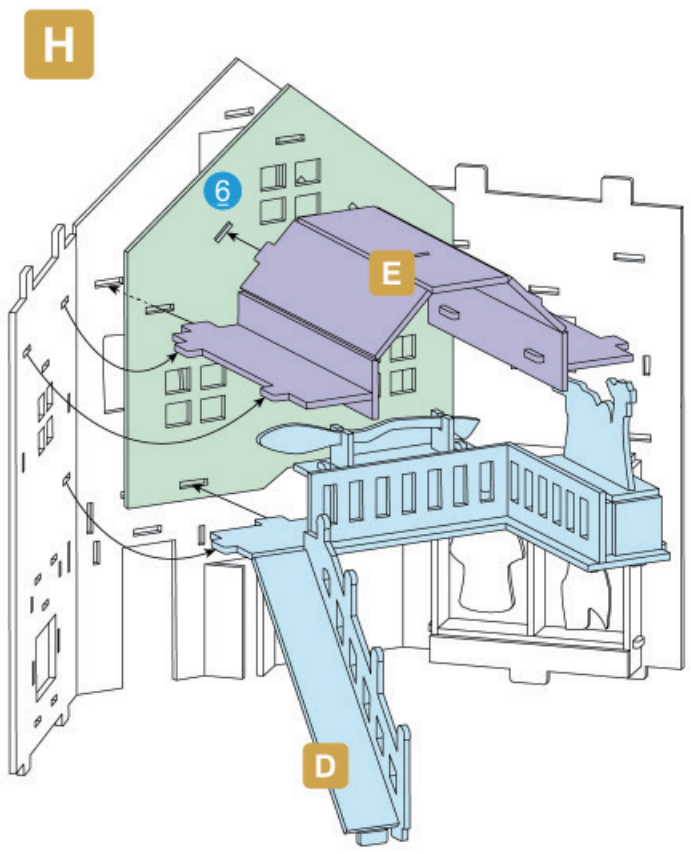
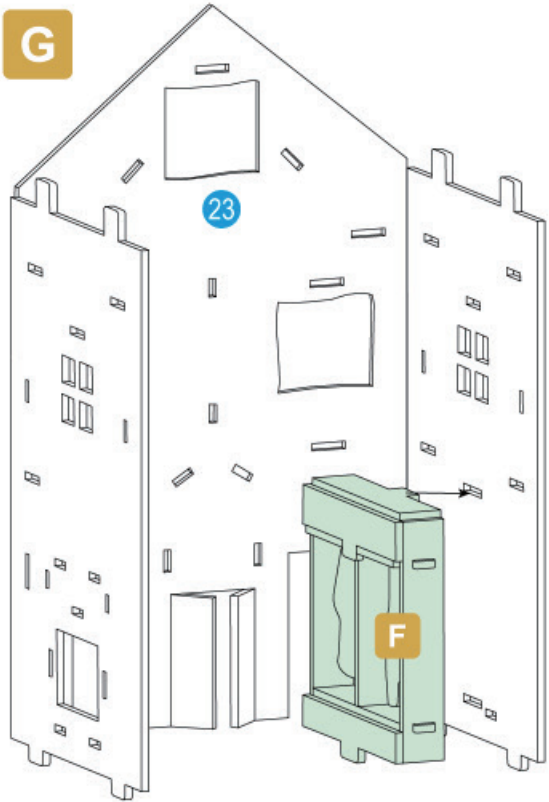


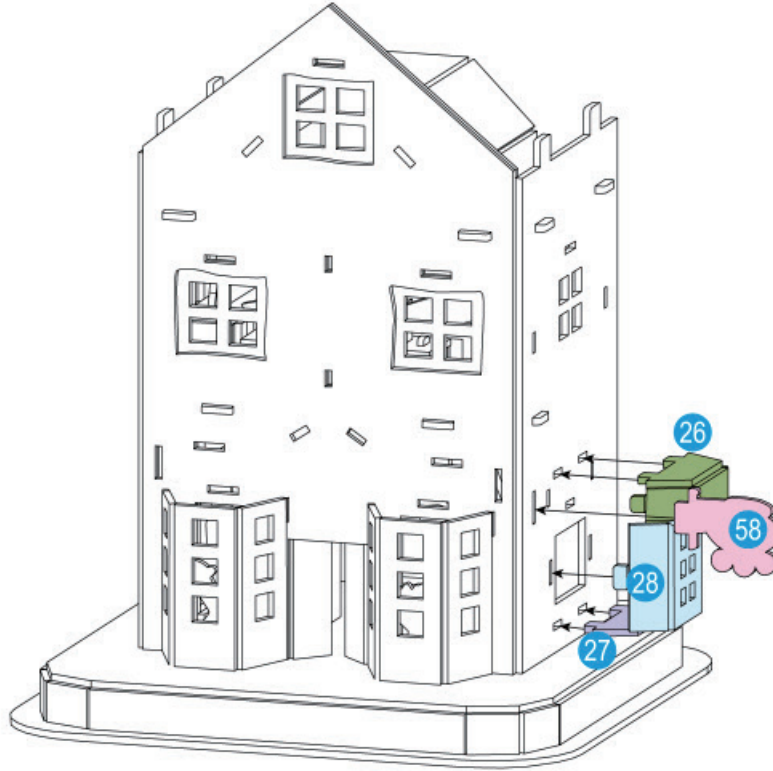
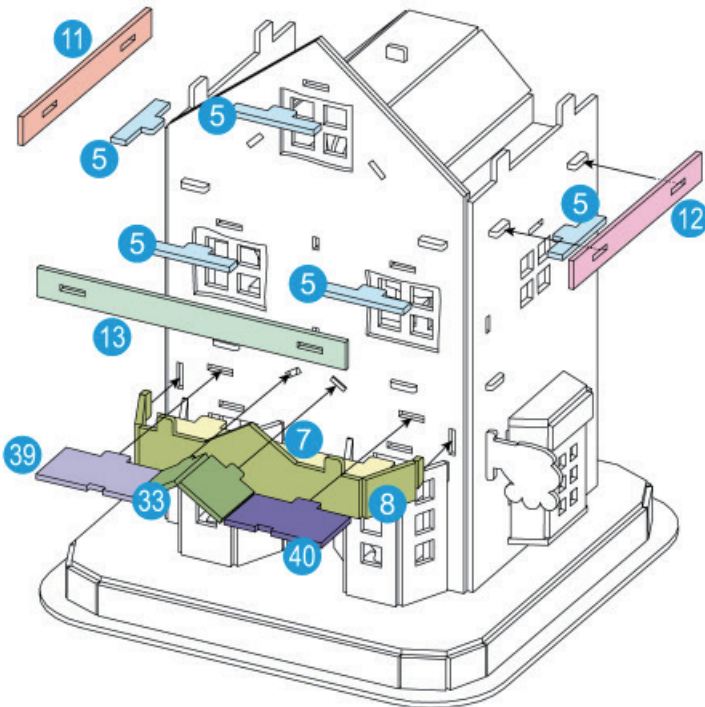
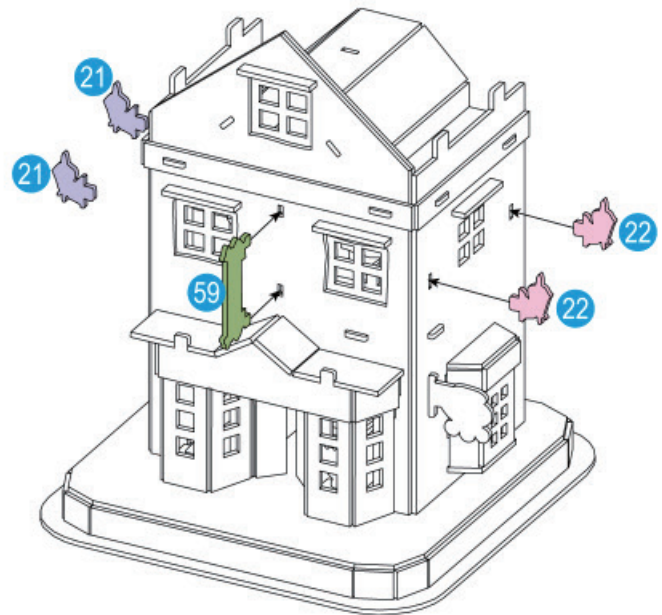
B

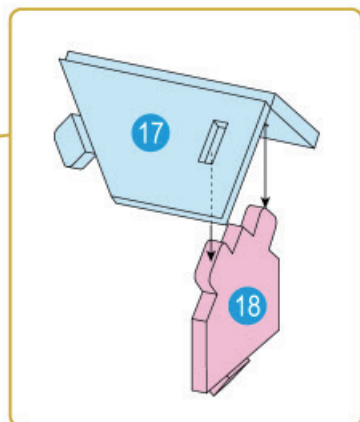
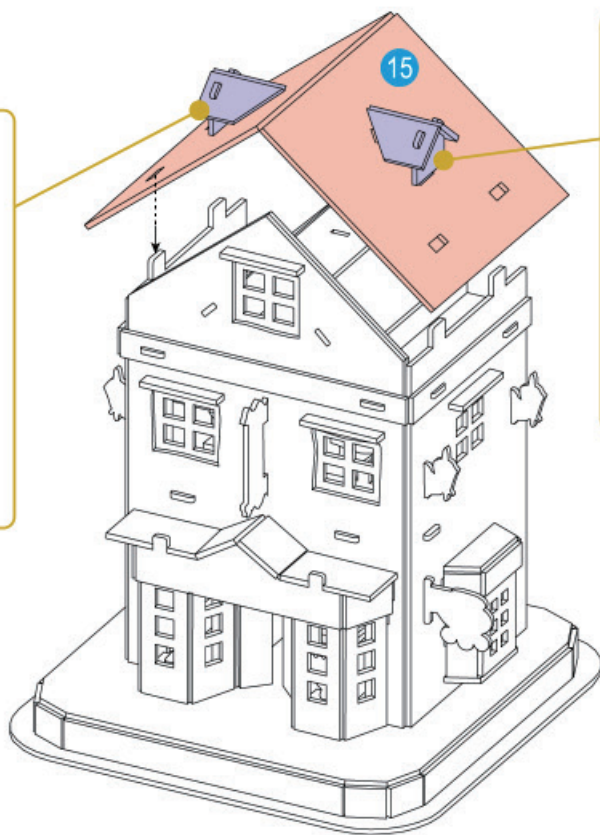
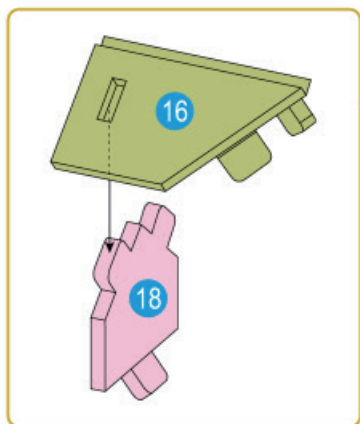
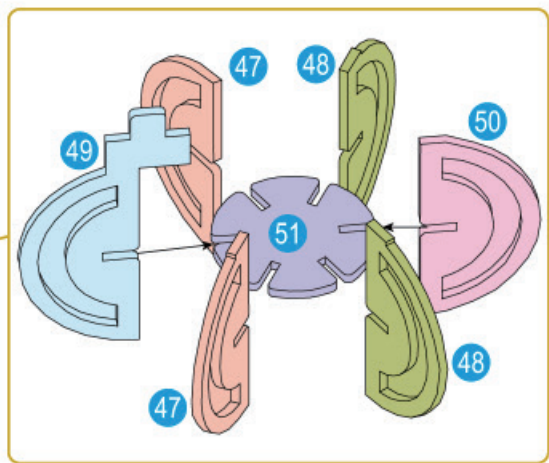
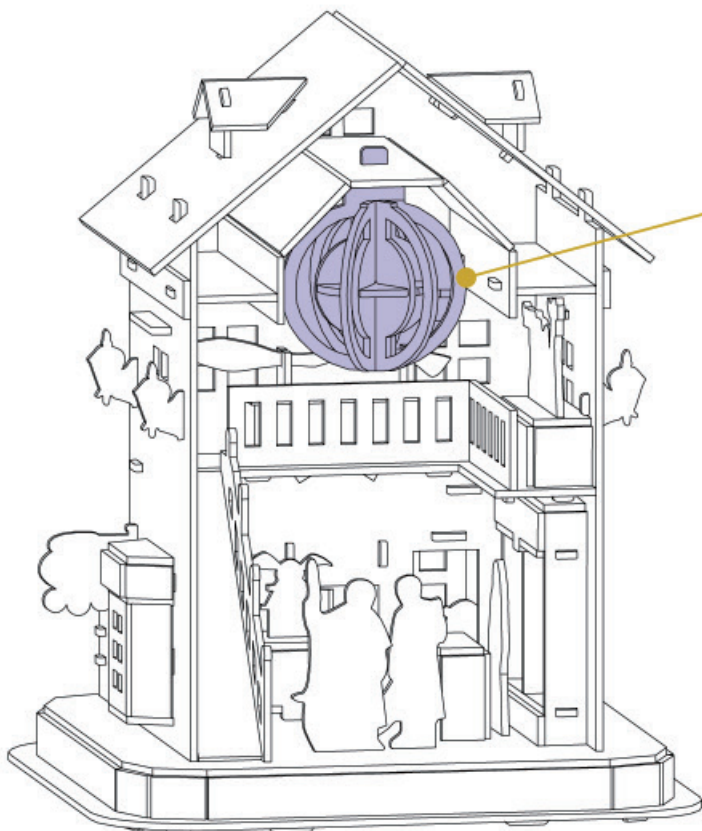


C

D**E****F**



J**K****L**

M**N****E**

