

WIZARDING  
WORLD

# Harry Potter



hidden forest forbidden



3D  
PUZZLE



MAGICAL  
FEATURES

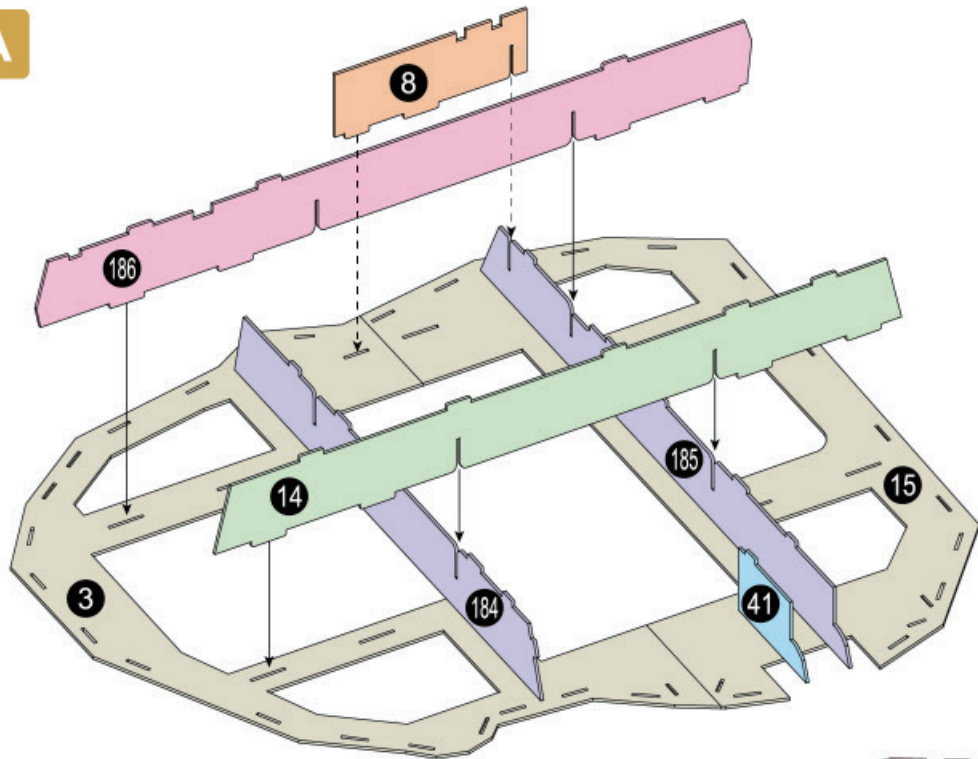
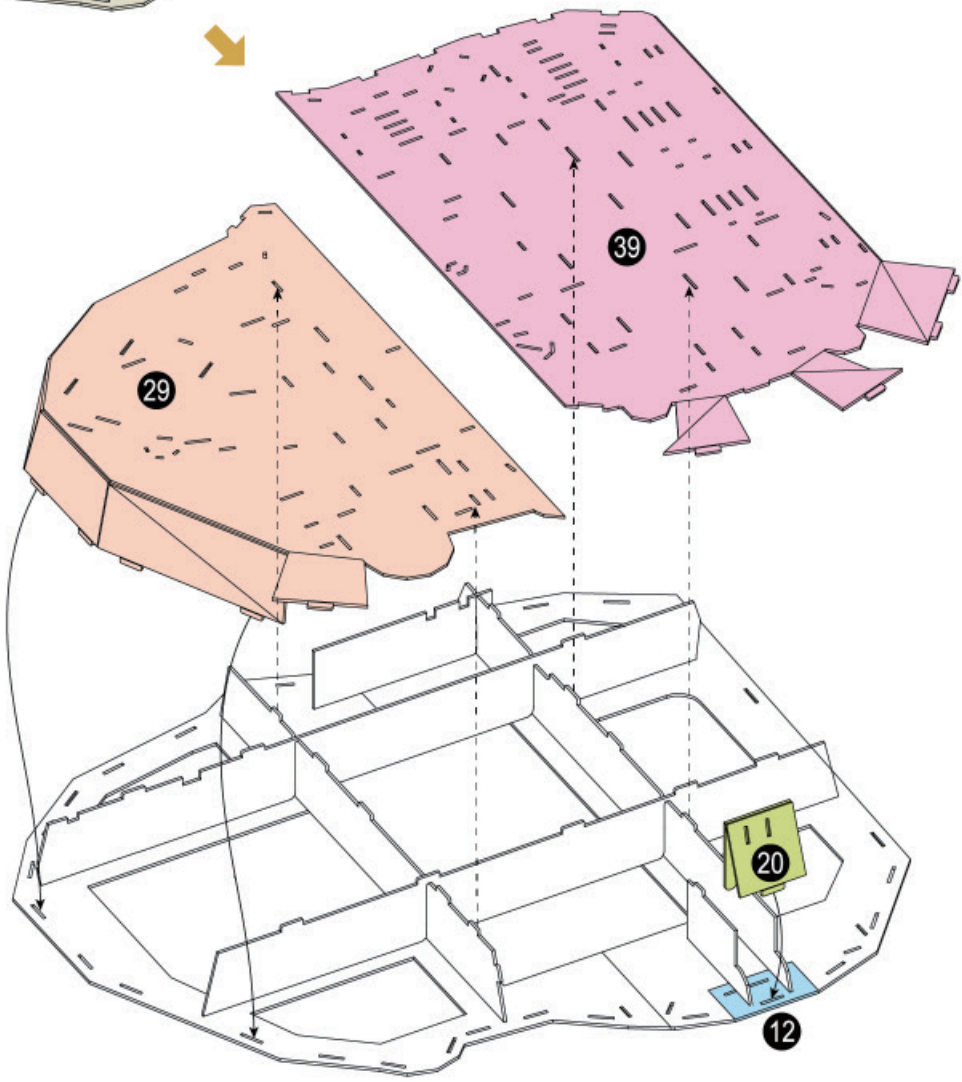


237  
PCS

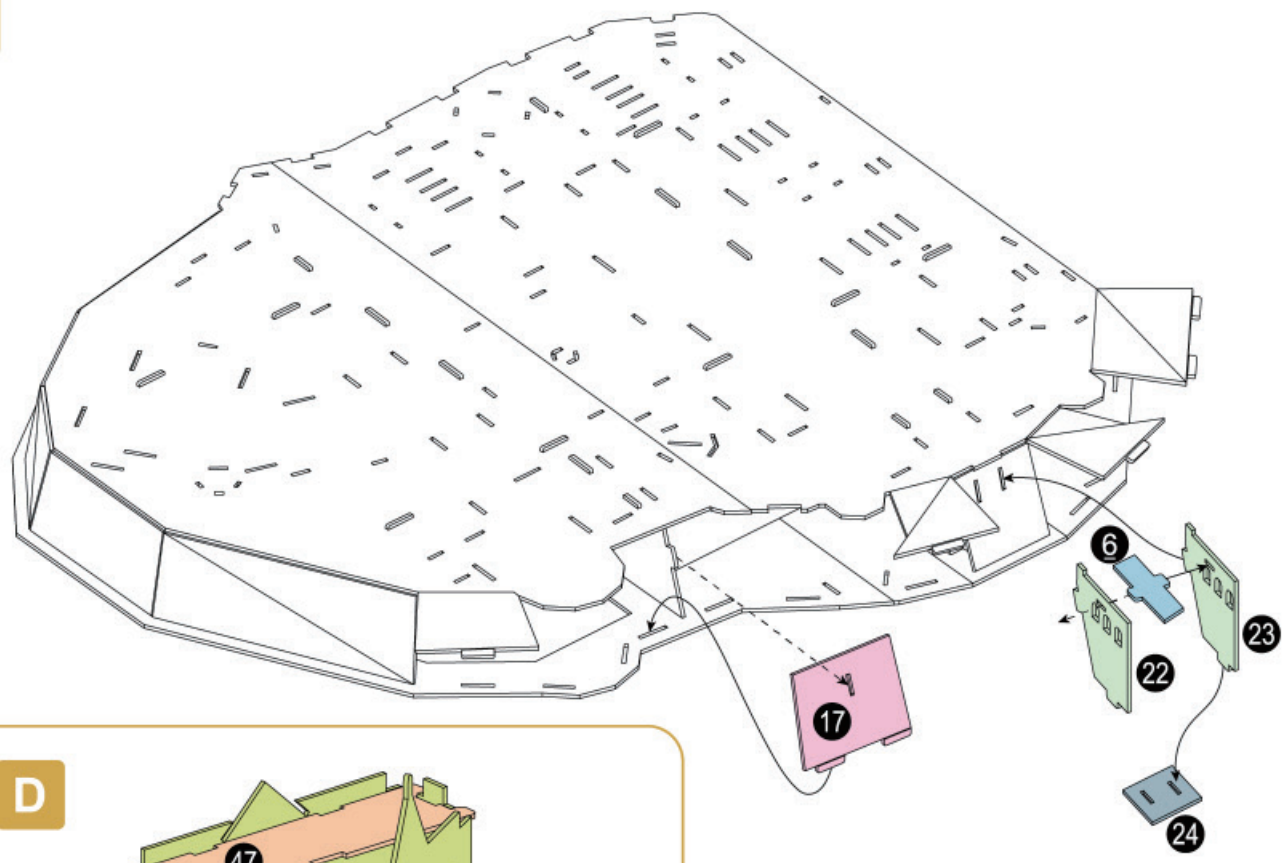
8+

HOGWARTS™ ASTRONOMY TOWER | 3D Puzzle

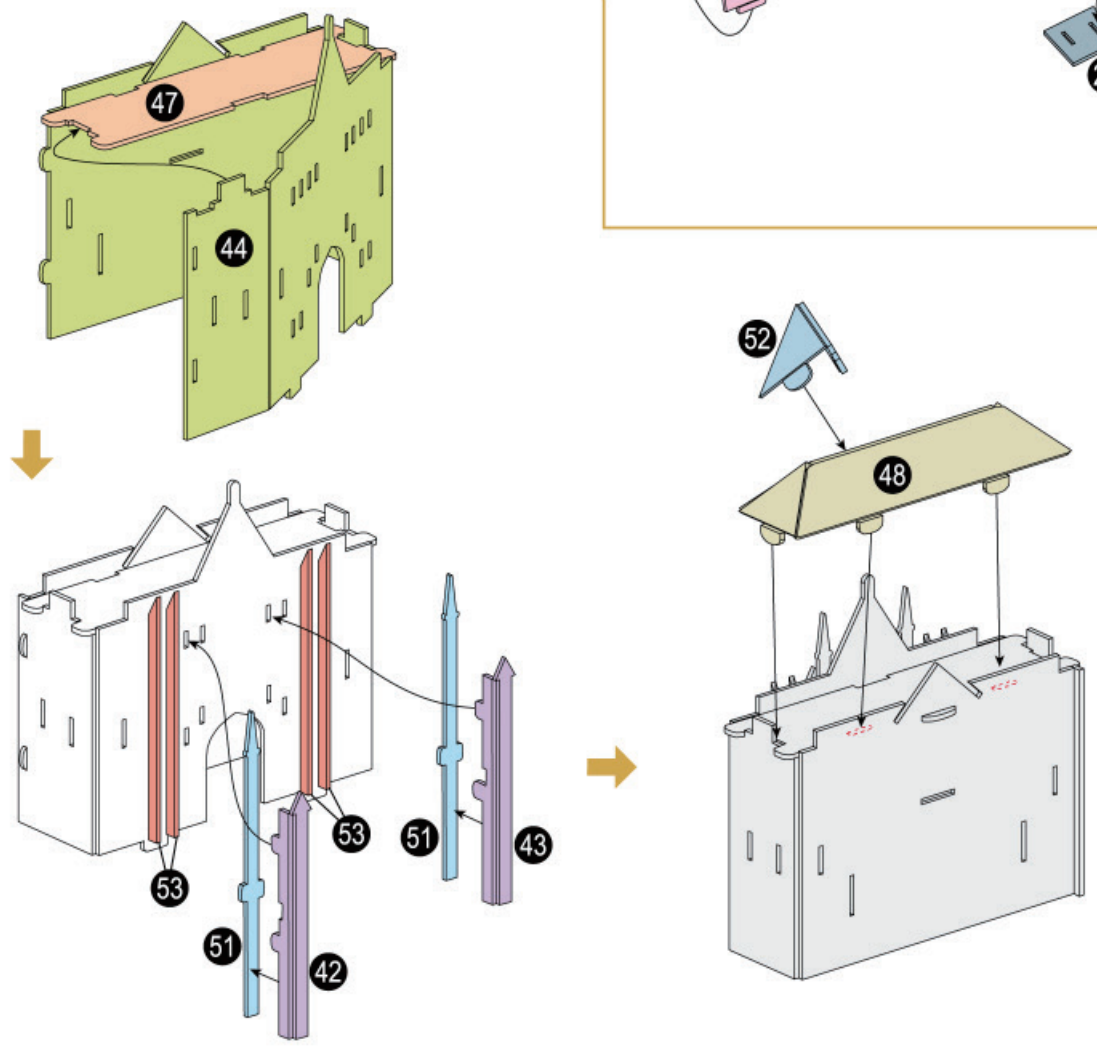


**A****B**

C



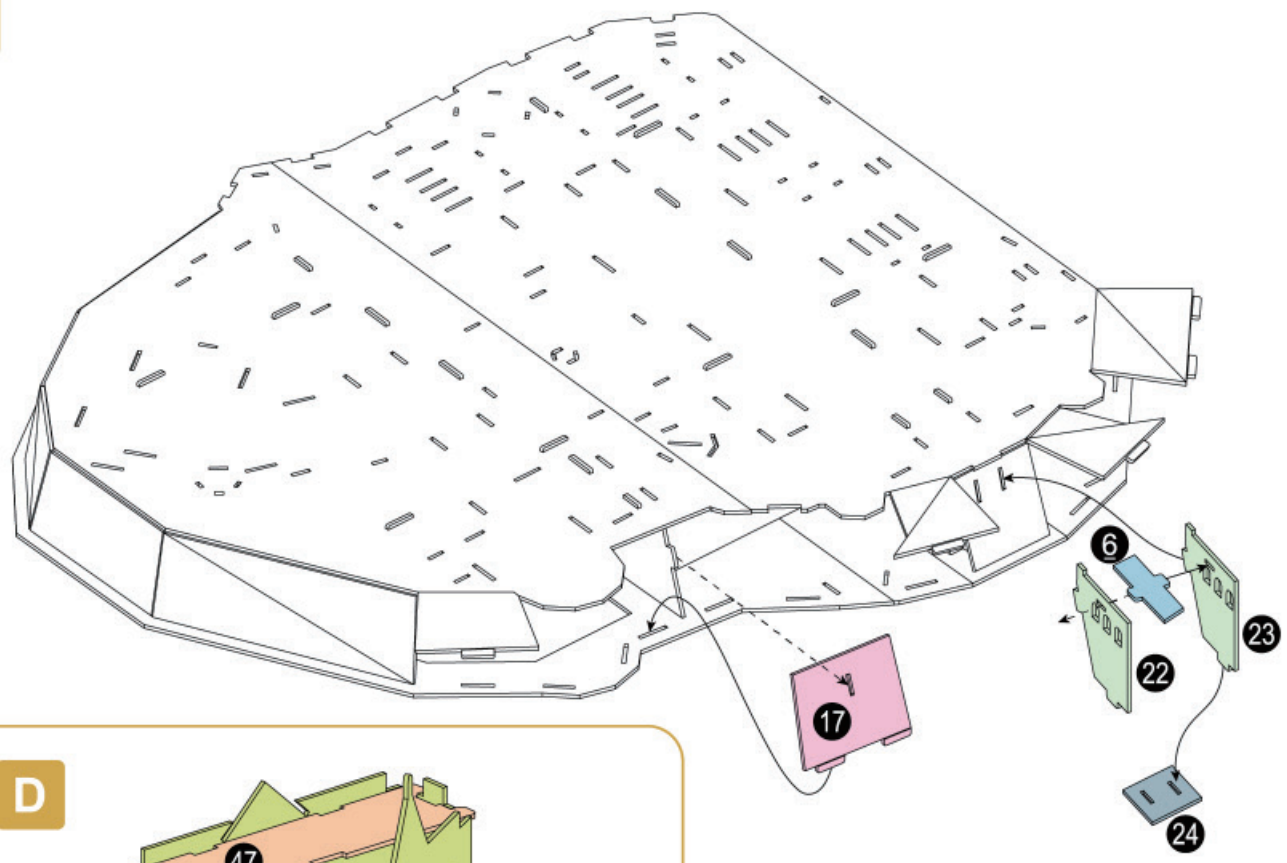
D



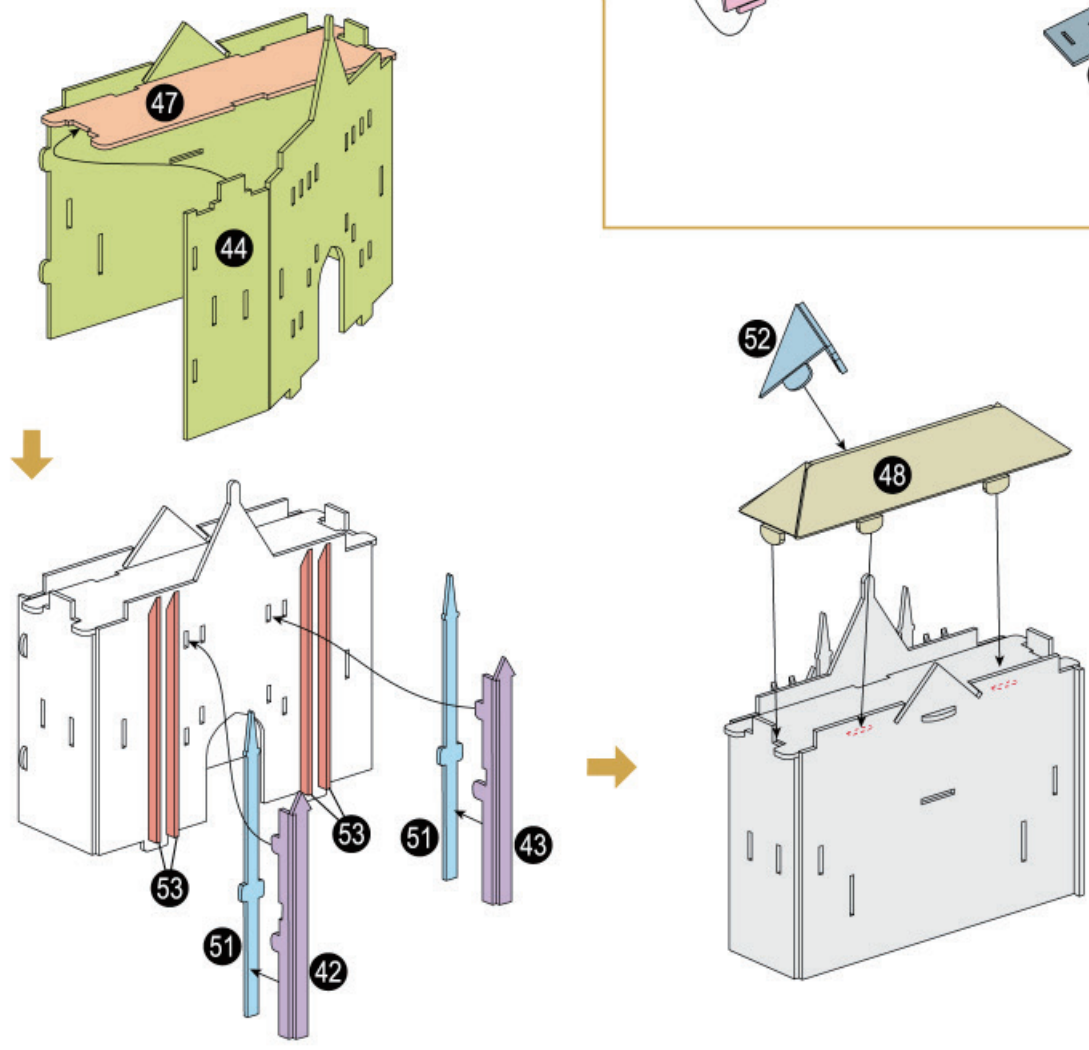
E



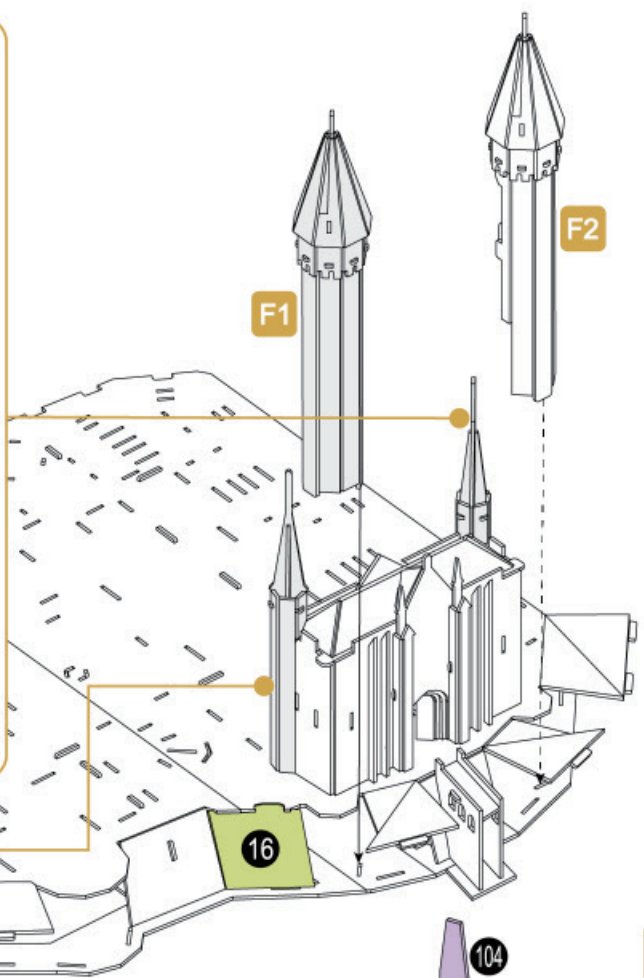
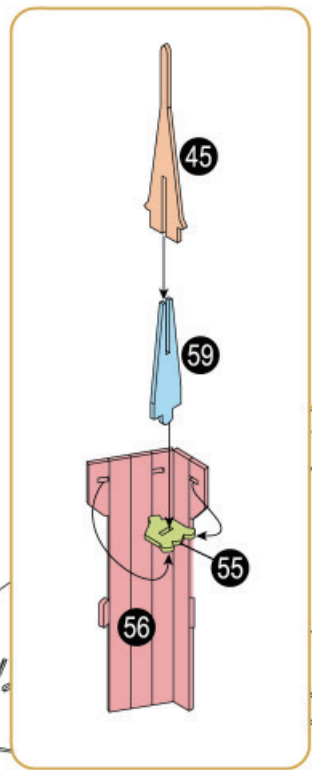
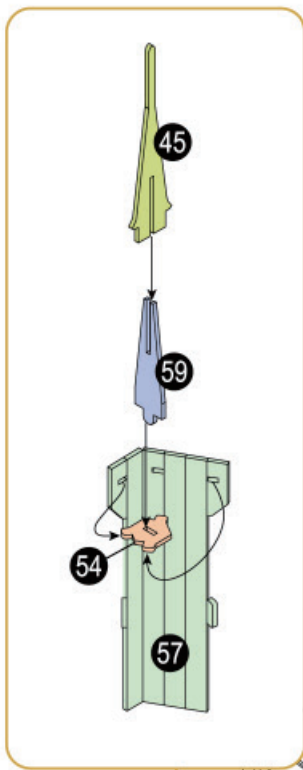
C



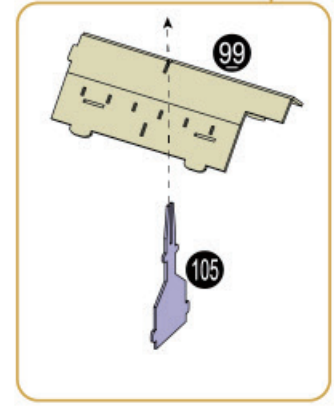
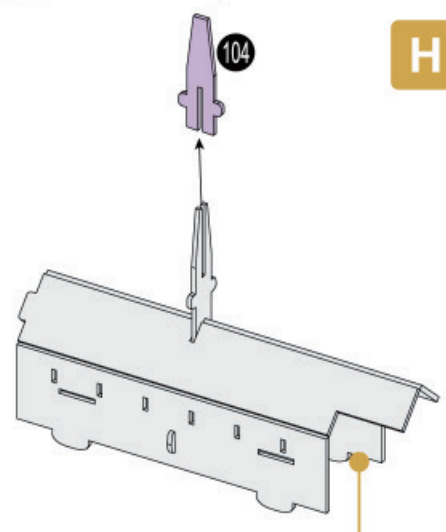
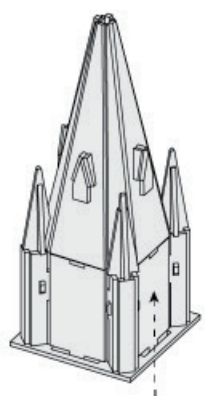
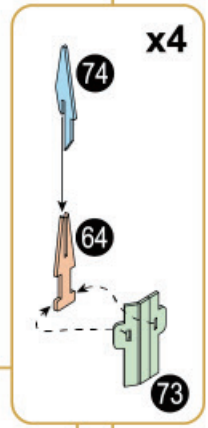
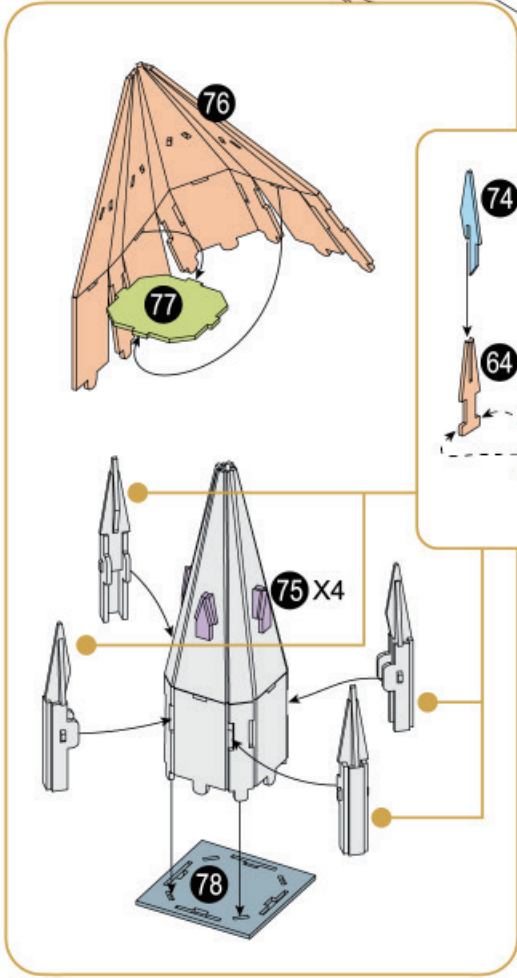
D



E



**G**

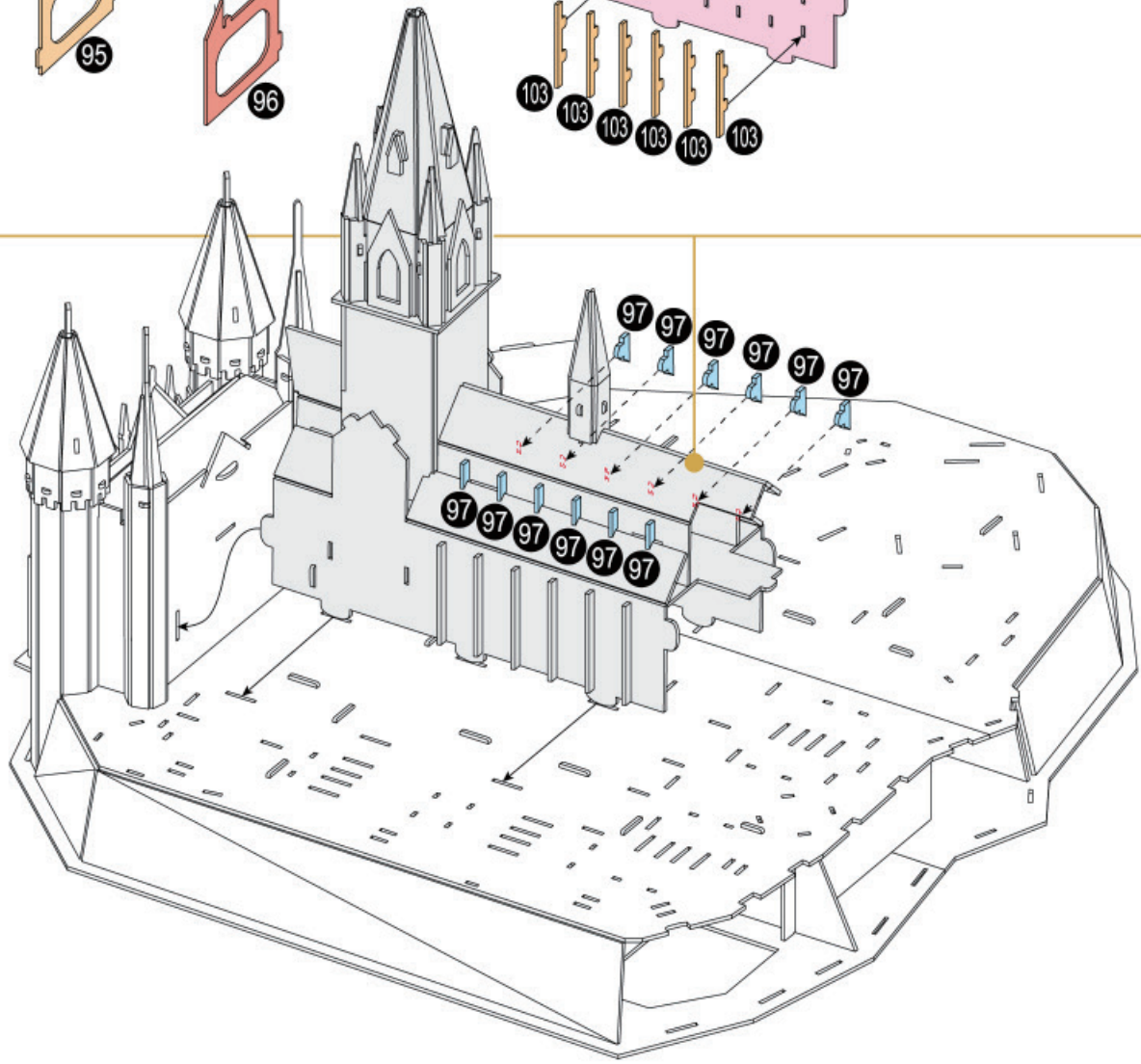
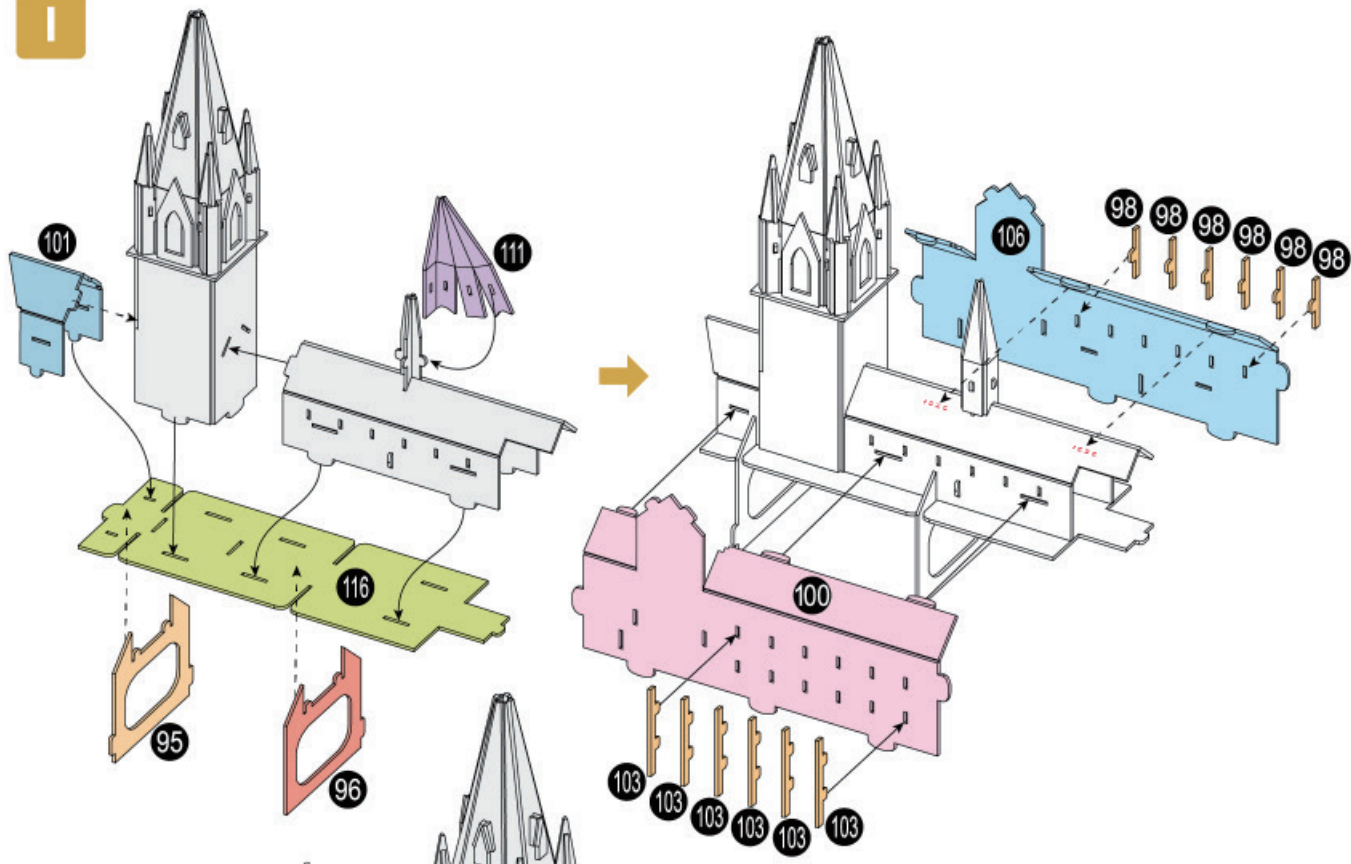


**H**

**E**



I



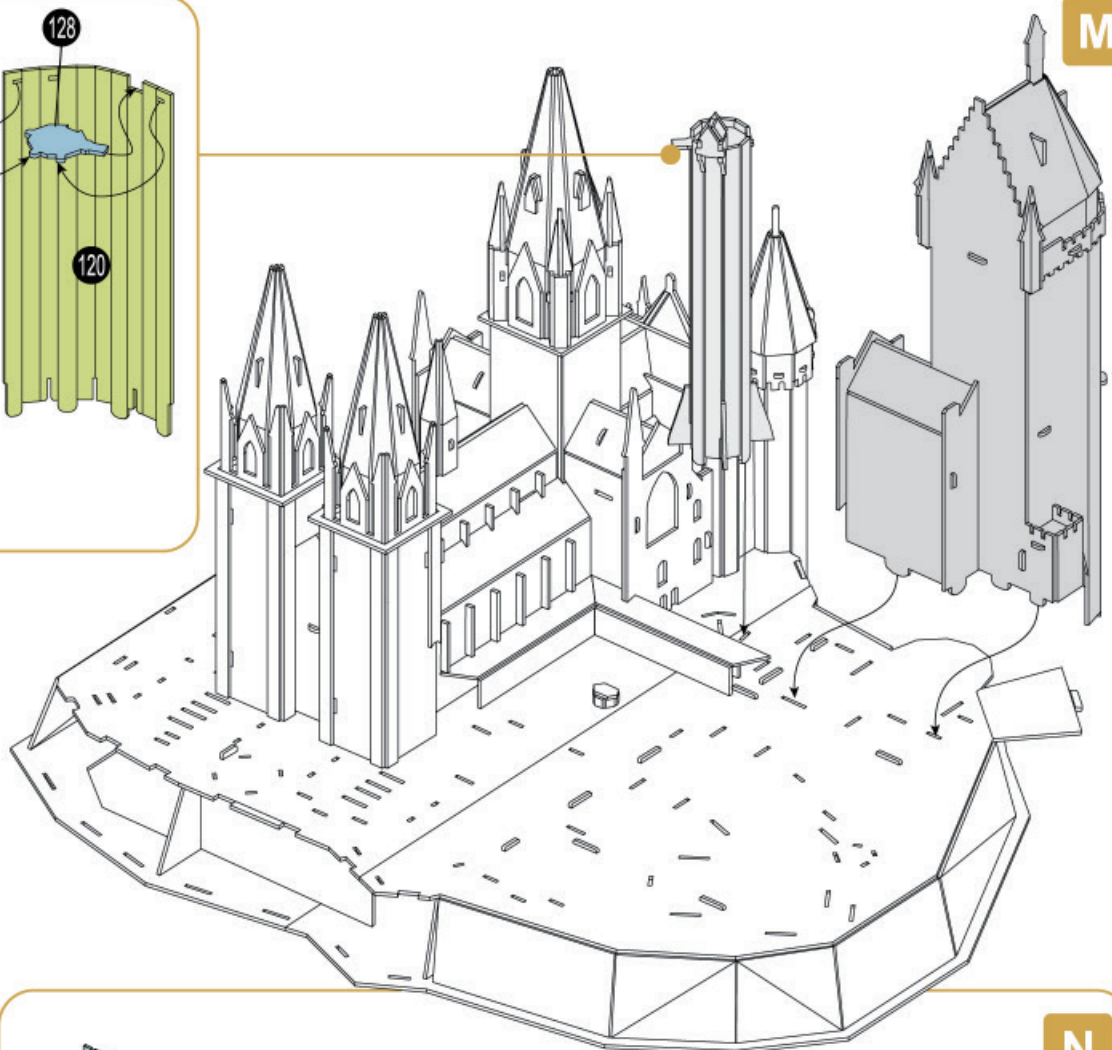
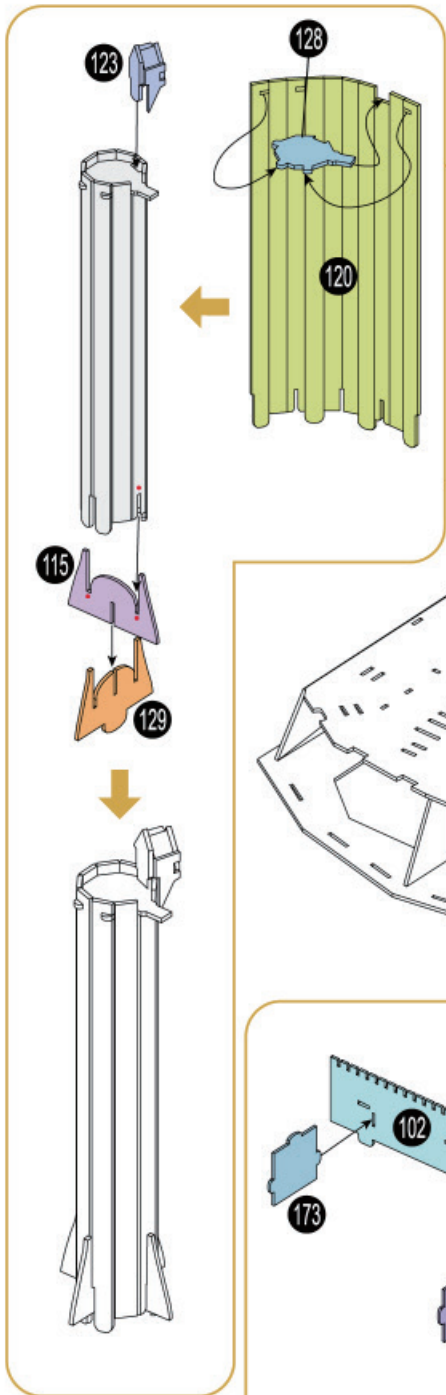




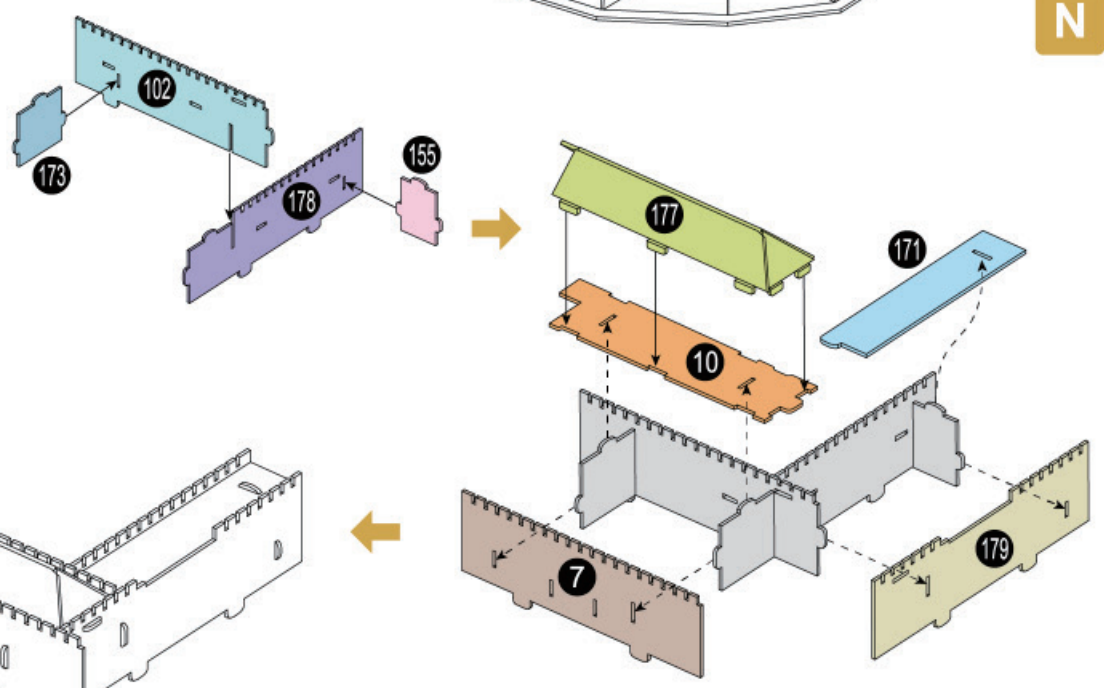
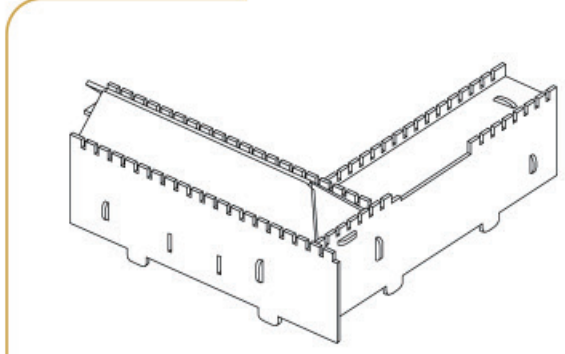




M



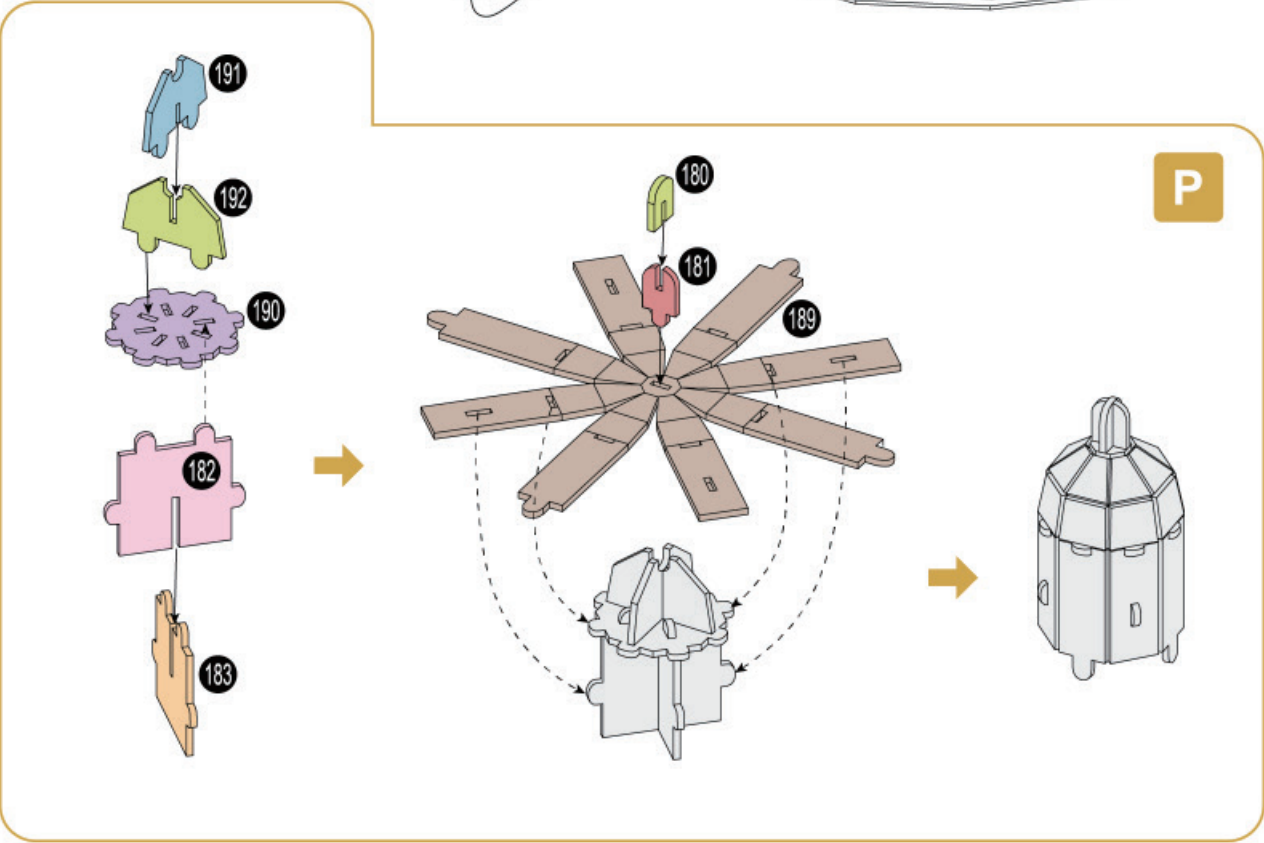
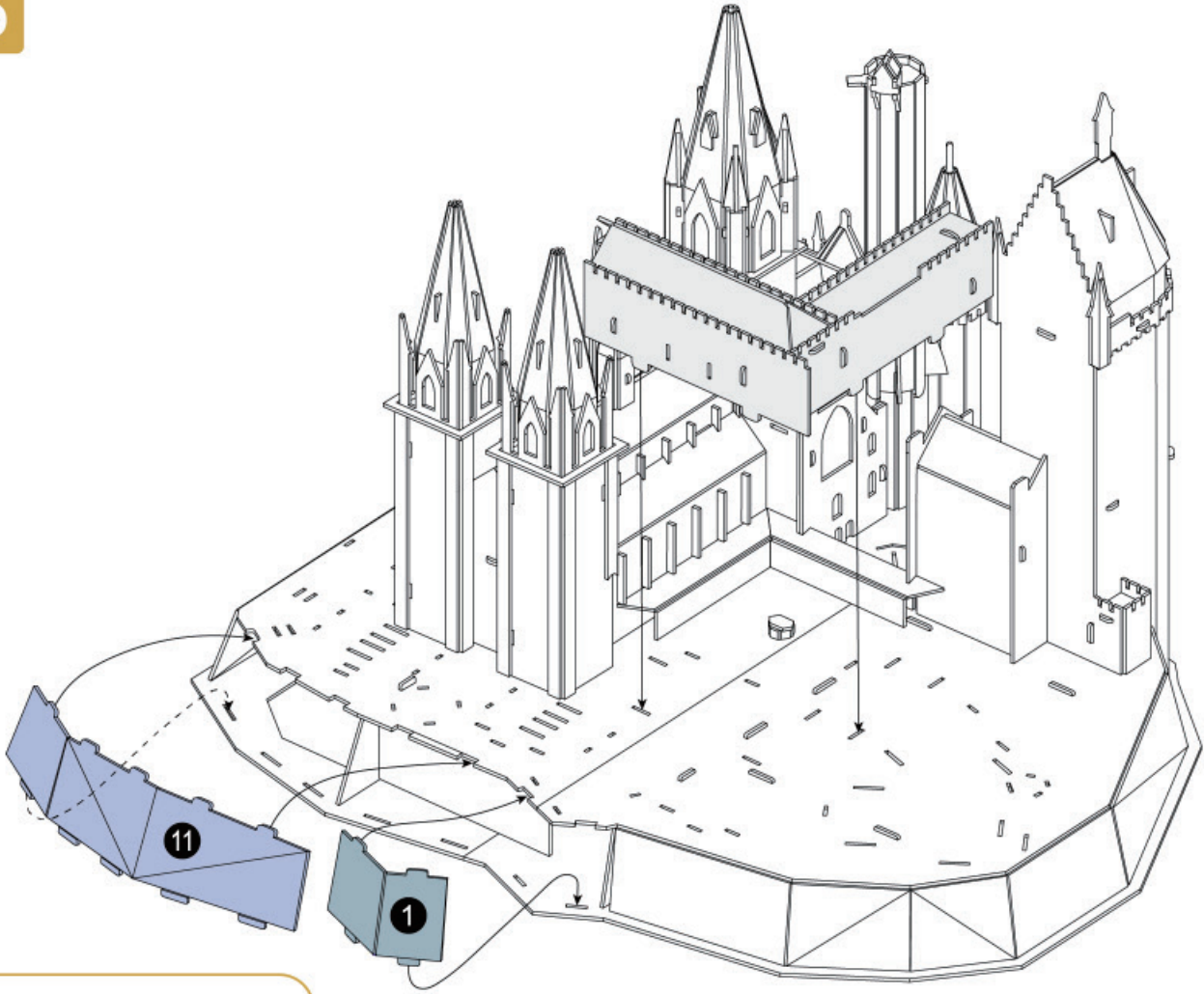
N



E

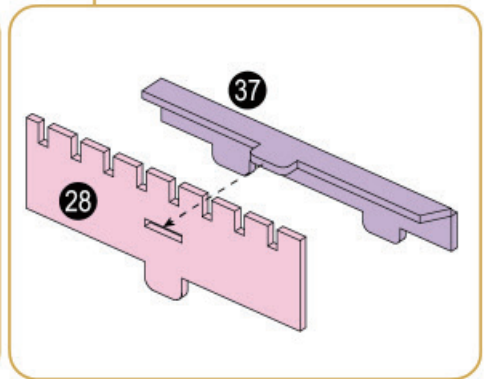
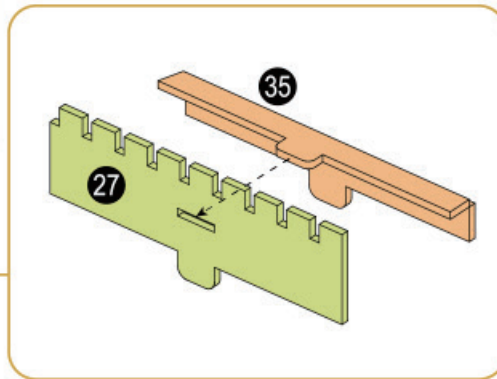
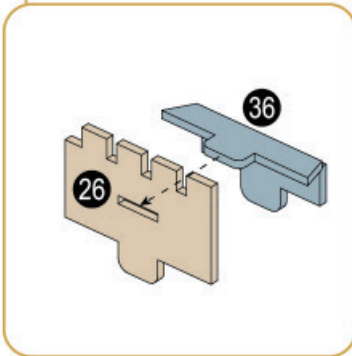
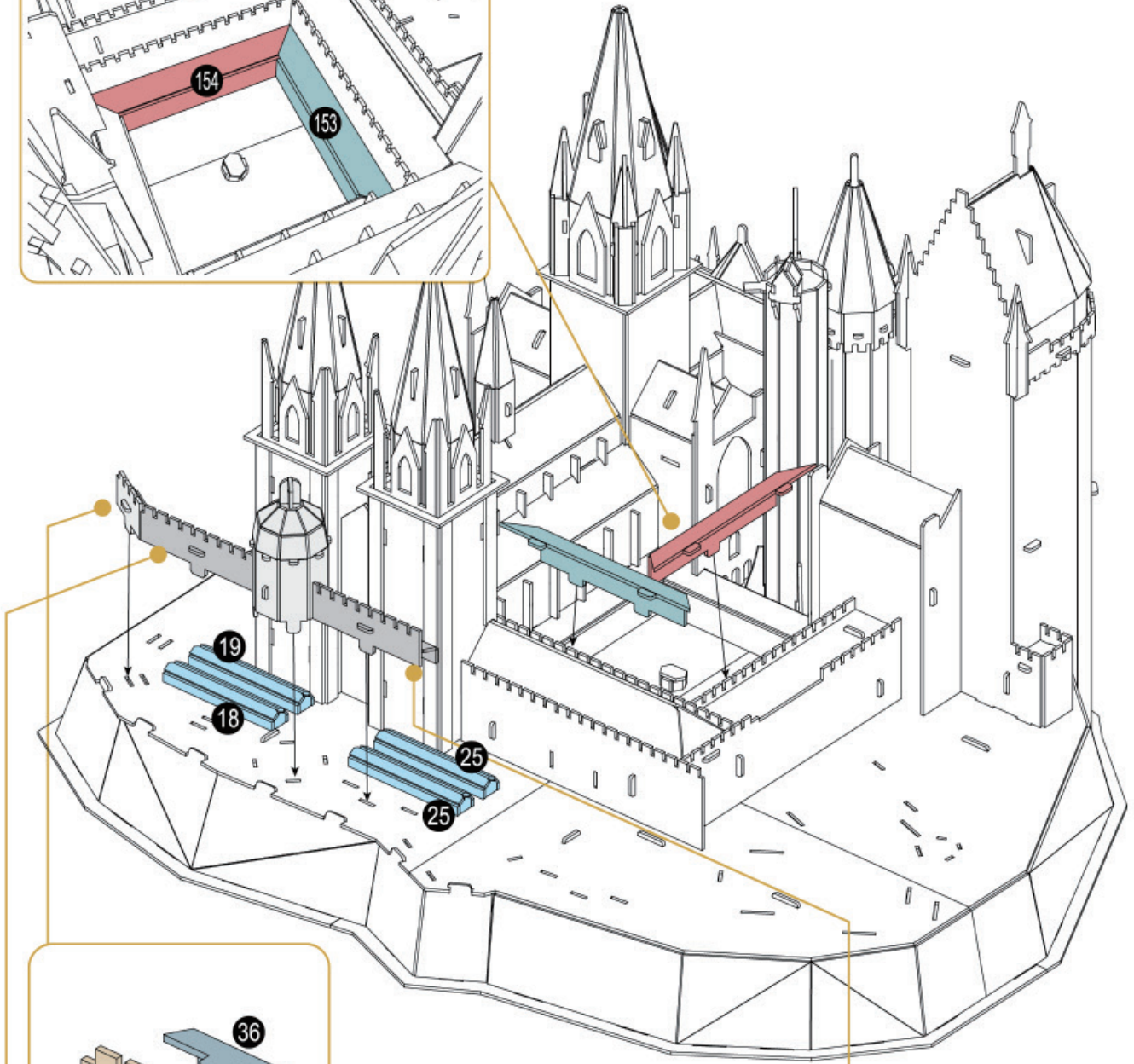
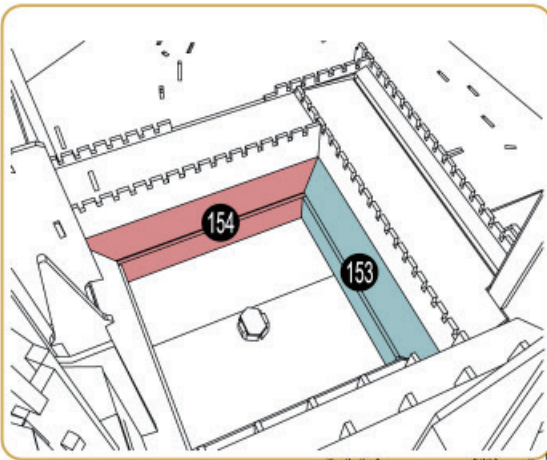


O

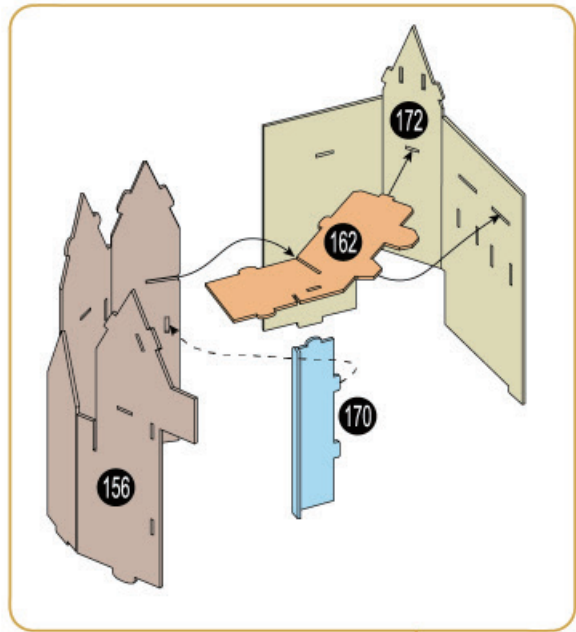
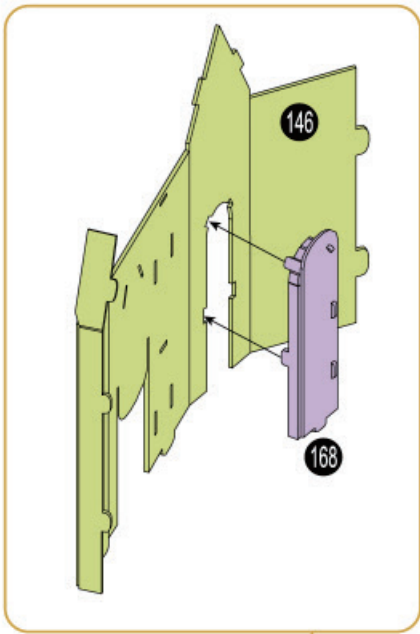


P

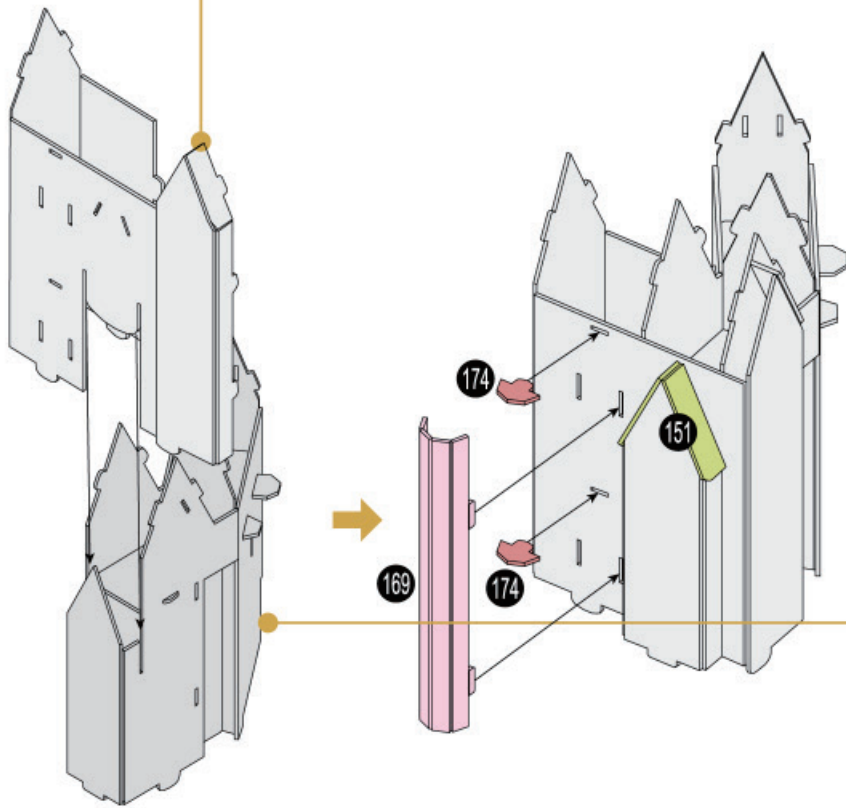






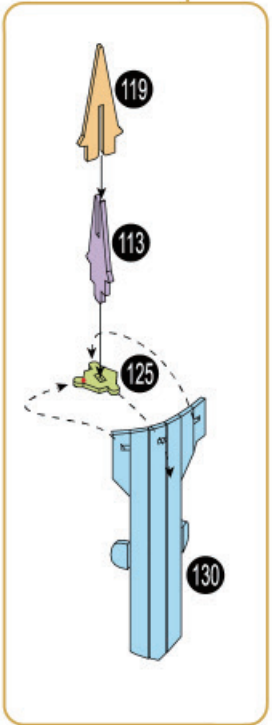
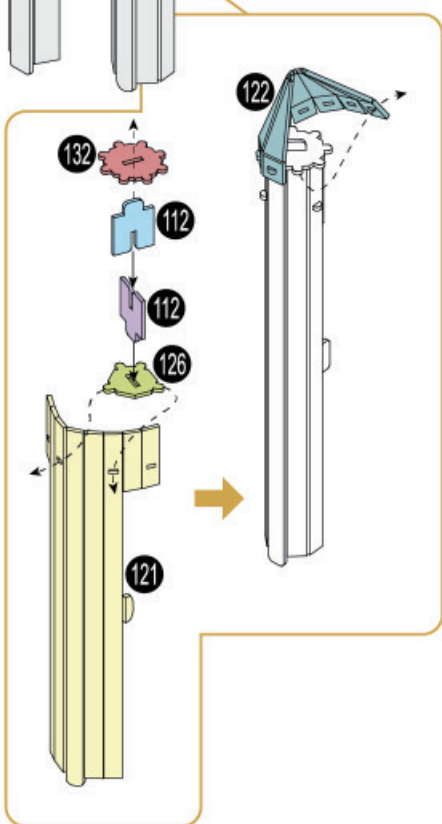
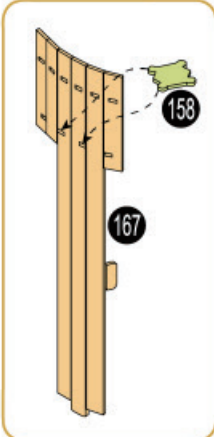
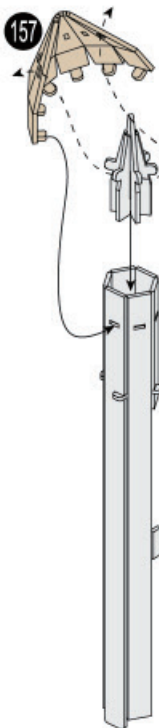
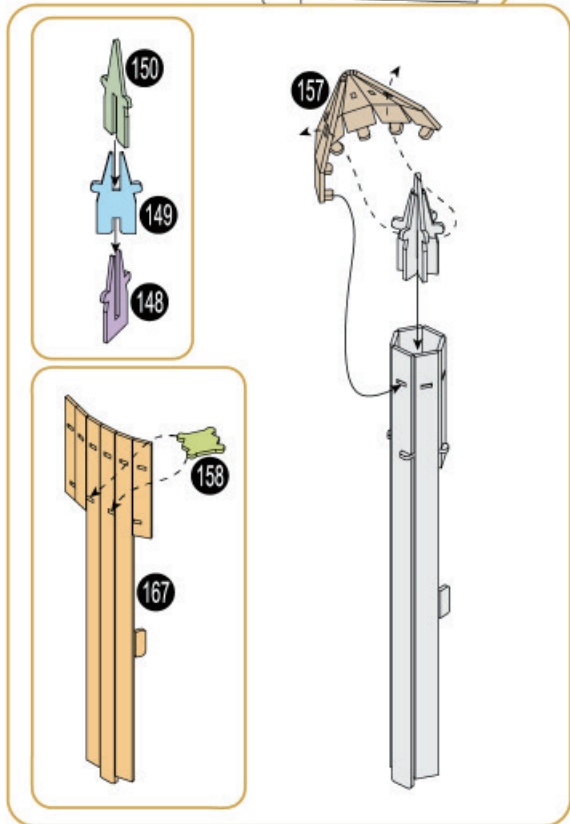
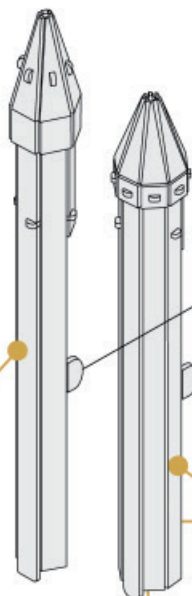
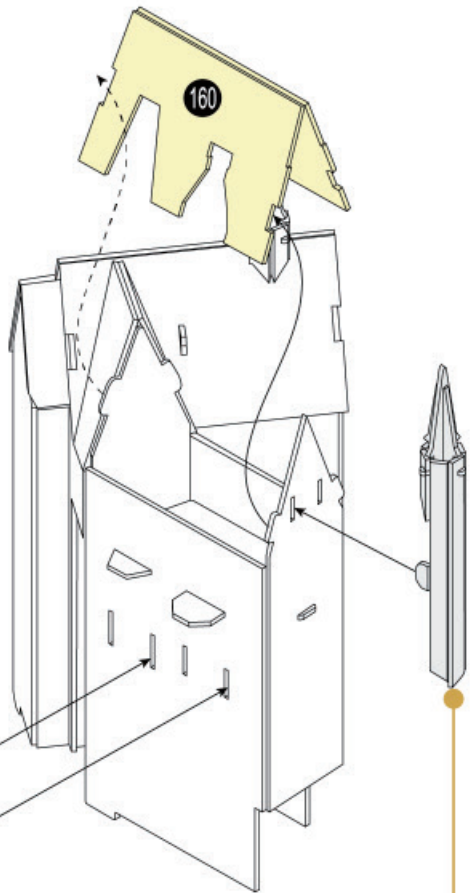
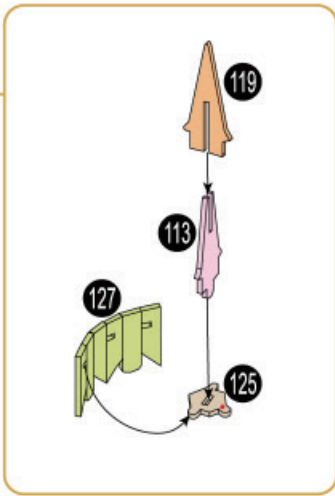
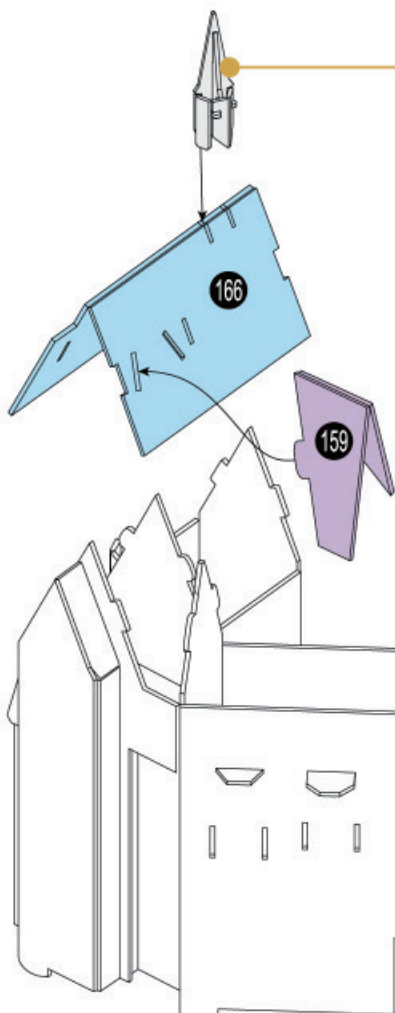


**R**

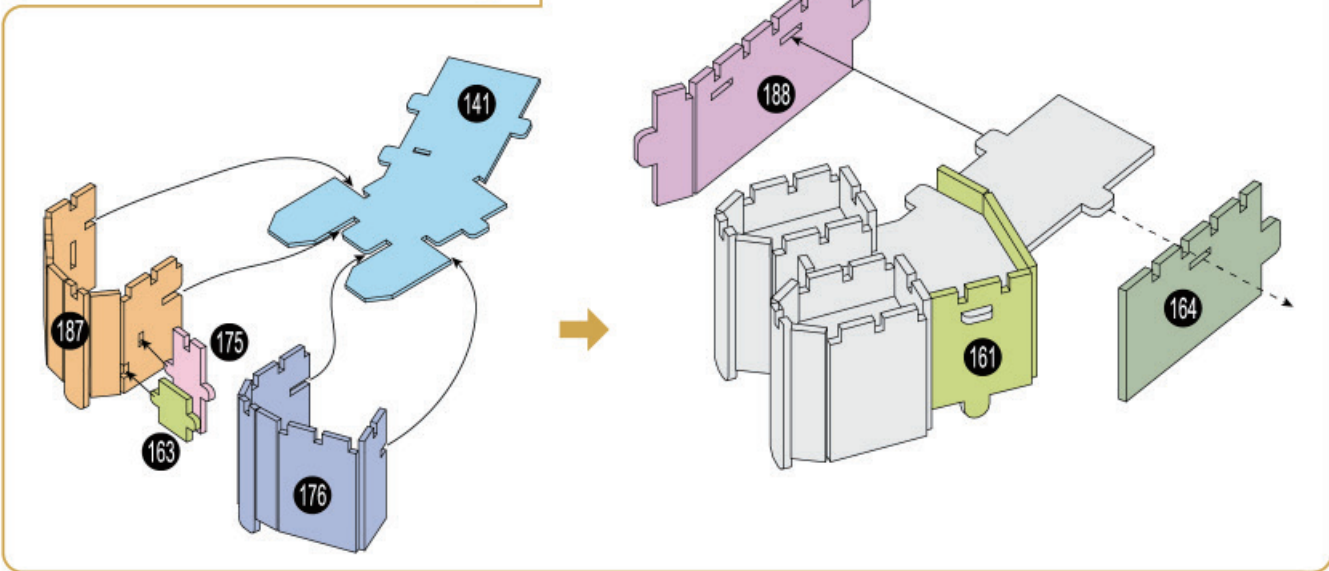
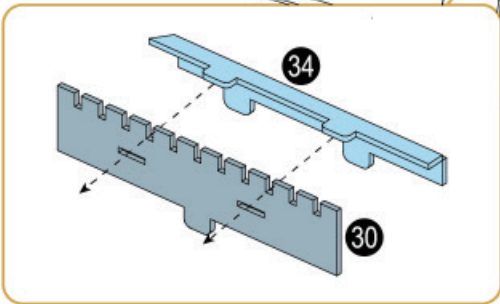
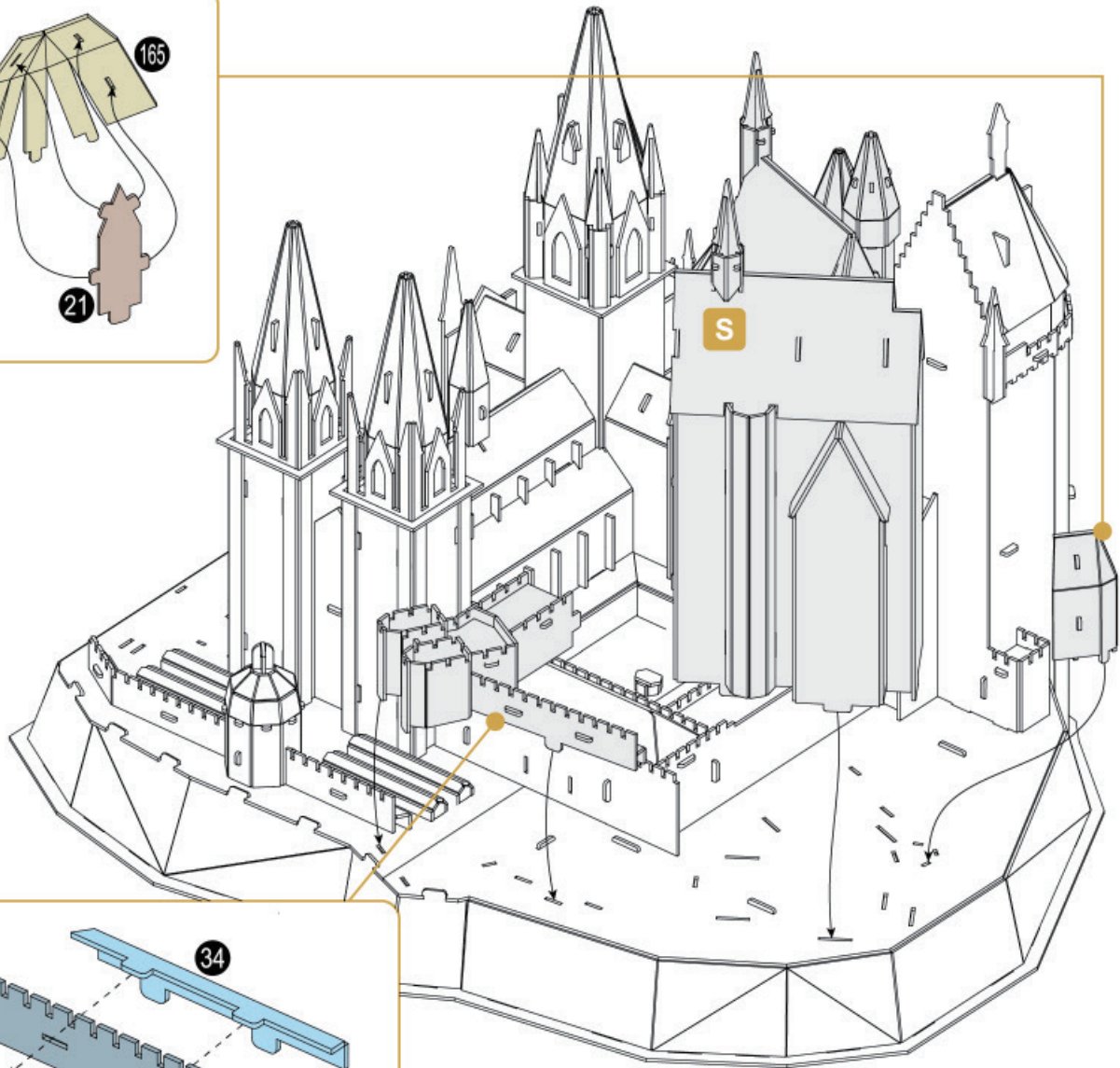
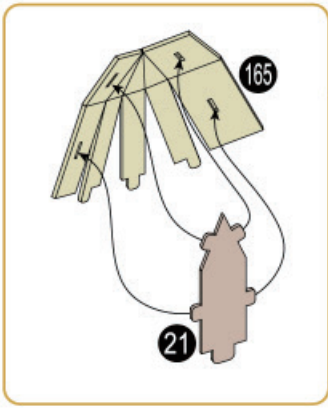




S

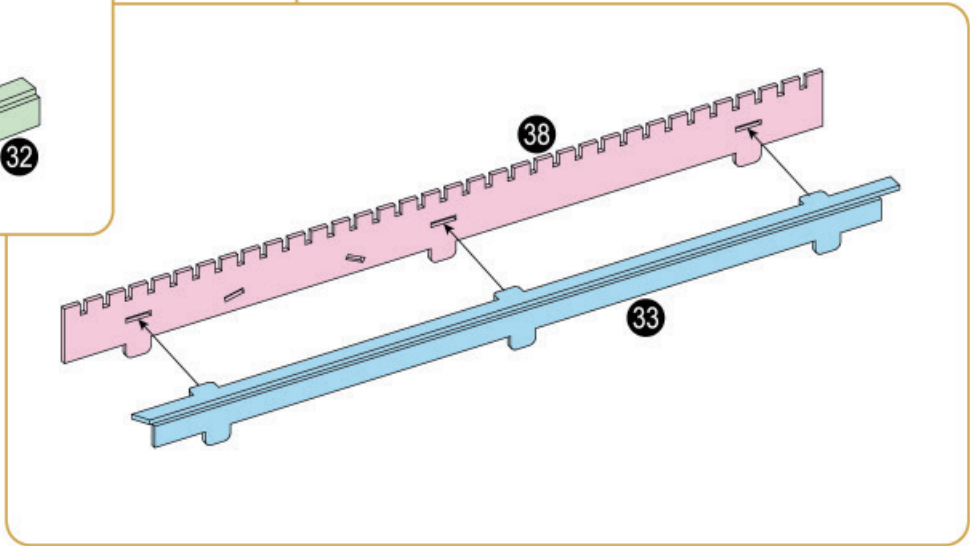
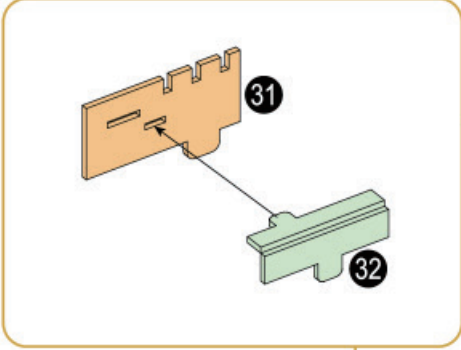
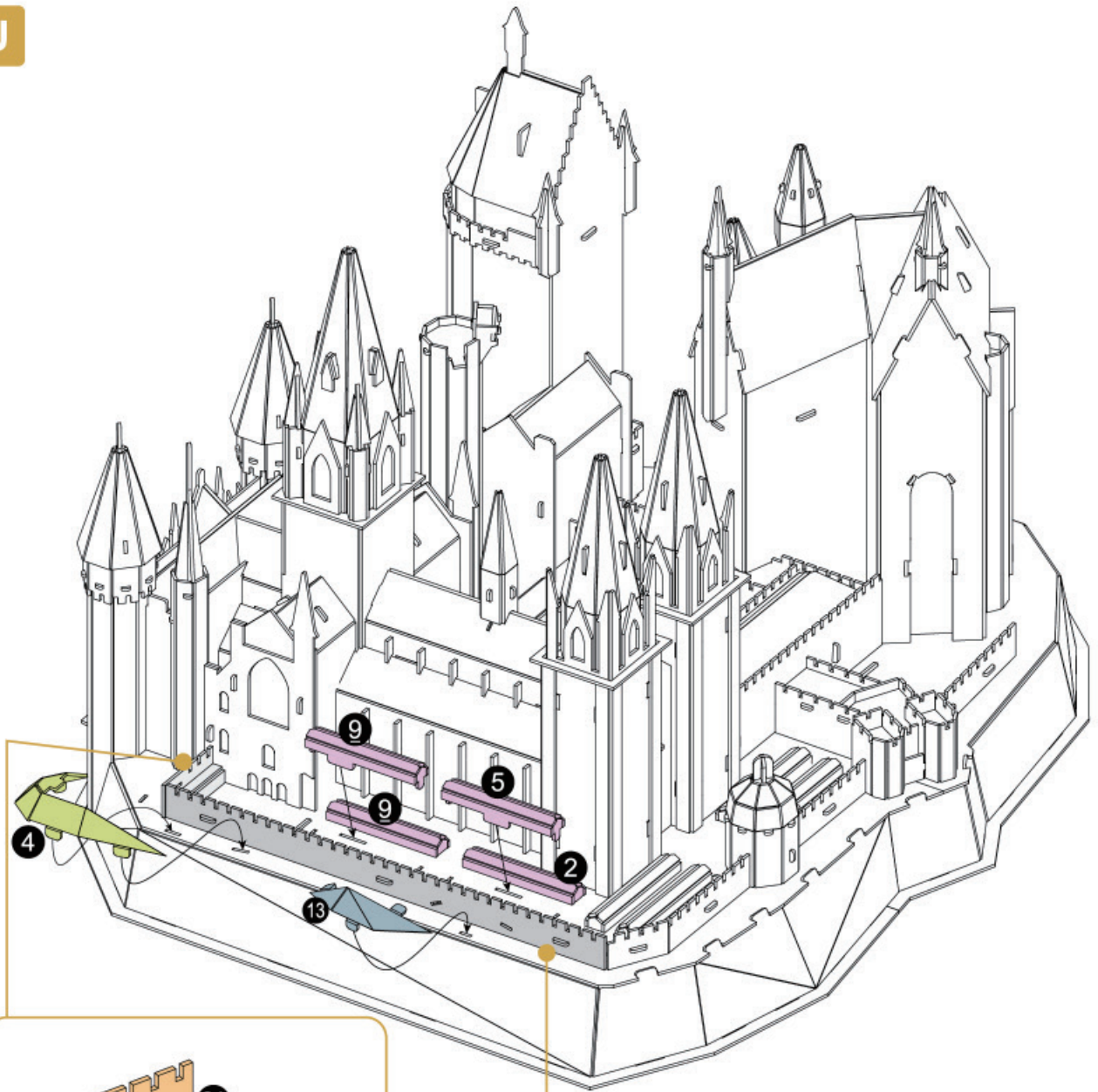








U



E



# Forbidden forest forbidden

# THE MINISTRY OF MAGIC

\*\*\*\*\*

Historic information regarding the Ministry of Magic, including details on the Department of Mysteries and the Department of Magical Law Enforcement.

SEE PAGE 5 FOR MORE INFORMATION

Magical creatures and their characteristics, including a detailed look at the various magical beings that inhabit the wizarding world.

Magical creatures and their characteristics, including a detailed look at the various magical beings that inhabit the wizarding world.



Magical creatures and their characteristics, including a detailed look at the various magical beings that inhabit the wizarding world.



Magical creatures and their characteristics, including a detailed look at the various magical beings that inhabit the wizarding world.

Magical creatures and their characteristics, including a detailed look at the various magical beings that inhabit the wizarding world.

Magical creatures and their characteristics, including a detailed look at the various magical beings that inhabit the wizarding world.

SEE PAGE 5 FOR MORE INFORMATION

Magical creatures and their characteristics, including a detailed look at the various magical beings that inhabit the wizarding world.

Magical creatures and their characteristics, including a detailed look at the various magical beings that inhabit the wizarding world.



Magical creatures and their characteristics, including a detailed look at the various magical beings that inhabit the wizarding world.



Magical creatures and their characteristics, including a detailed look at the various magical beings that inhabit the wizarding world.

Magical creatures and their characteristics, including a detailed look at the various magical beings that inhabit the wizarding world.

Magical creatures and their characteristics, including a detailed look at the various magical beings that inhabit the wizarding world.

SEE PAGE 5 FOR MORE INFORMATION

Magical creatures and their characteristics, including a detailed look at the various magical beings that inhabit the wizarding world.

Magical creatures and their characteristics, including a detailed look at the various magical beings that inhabit the wizarding world.

